



US00D904784S

(12) **United States Design Patent** (10) **Patent No.:** **US D904,784 S**  
**Suzuki et al.** (45) **Date of Patent:** **\*\* Dec. 15, 2020**

- (54) **PLATFORM BED FRAME**
- (71) Applicant: **Casper Sleep Inc.**, New York, NY (US)
- (72) Inventors: **Gen Suzuki**, Kanagawa (JP); **Shail Shah**, Oakland, CA (US); **Oivind Brockmeier**, Boston, MA (US)
- (73) Assignee: **Casper Sleep Inc.**, New York, NY (US)
- (\*\*) Term: **15 Years**
- (21) Appl. No.: **29/700,264**
- (22) Filed: **Aug. 1, 2019**

5,010,843	A	4/1991	Henry	
5,023,967	A	6/1991	Ferrand	
5,023,970	A	6/1991	Tesch	
5,219,307	A	6/1993	Morrison	
5,291,625	A	3/1994	Leslie	
5,294,181	A	3/1994	Rose	
5,561,876	A	10/1996	Petruszella	
D383,028	S	9/1997	Pierce	
D411,057	S	6/1999	Johnson	
D431,730	S	10/2000	Zorzetto	D6/393
6,175,890	B1	1/2001	Yamaura	
6,175,980	B1	1/2001	Gaither	
6,196,157	B1	3/2001	Northrop	
6,212,718	B1	4/2001	Stolpmann	
6,301,730	B1	10/2001	Delfs	
6,305,317	B1	10/2001	Spiegel	
D486,665	S	2/2004	Weaver	D6/382
D486,877	S	2/2004	Peterson	
D486,969	S	2/2004	Weaver	F16B 12/58 D6/361

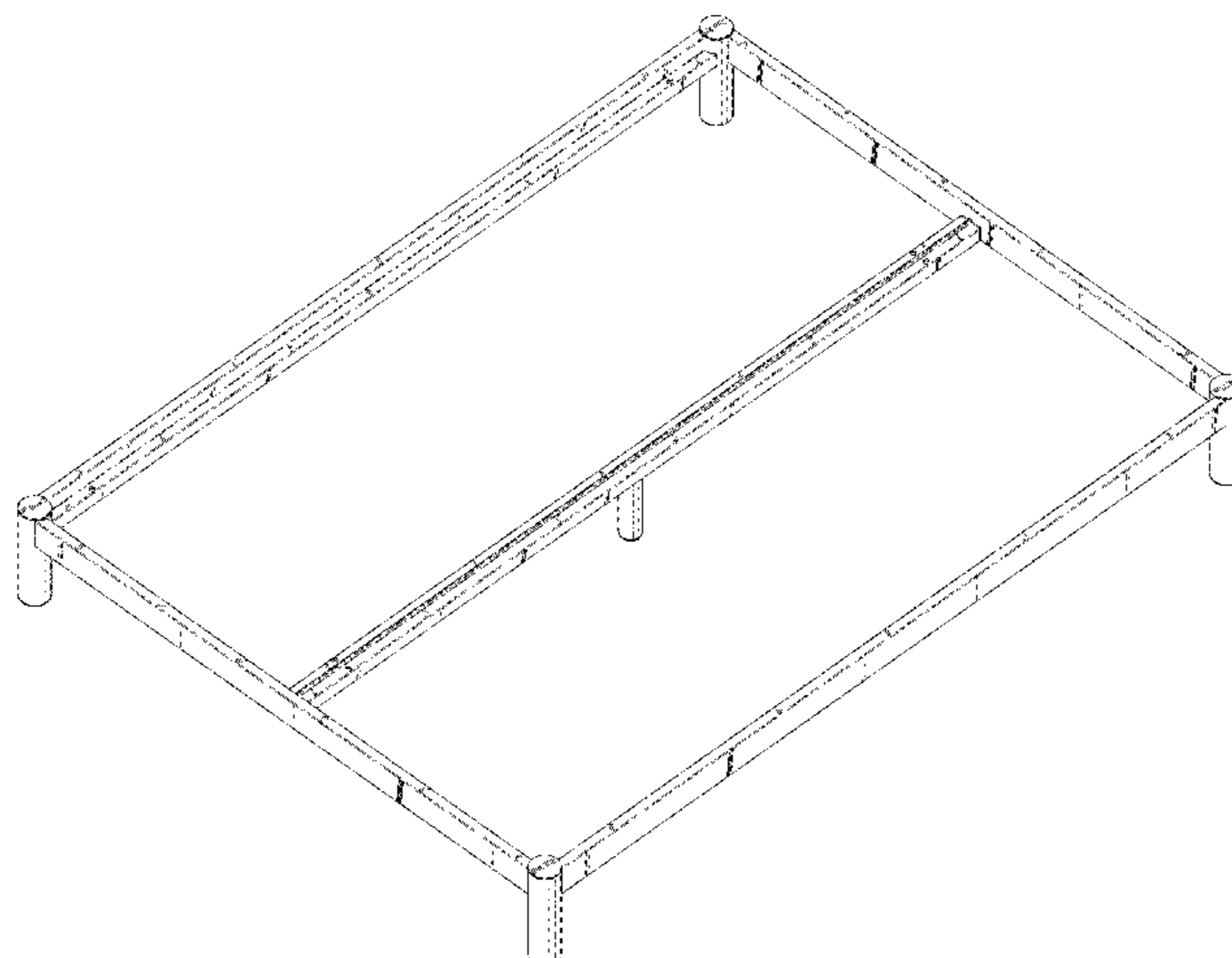
**Related U.S. Application Data**

- (62) Division of application No. 29/641,393, filed on Mar. 21, 2018, now Pat. No. Des. 862,104.
- (51) **LOC (12) Cl.** ..... **06-02**
- (52) **U.S. Cl.**  
USPC ..... **D6/382; D6/317**
- (58) **Field of Classification Search**  
USPC ..... D6/361, 382, 383, 392, 393, 394, 395,  
D6/718; D30/118; D21/520  
CPC ..... A47C 19/00; A47C 19/005; A47C 19/021;  
A47C 19/025; A47C 19/027; A47C  
19/04; A47C 19/12; A47C 19/128; A47C  
23/00  
See application file for complete search history.

D487,207	S	3/2004	Manuel	
6,971,128	B1	12/2005	McGrath	
6,983,500	B2	1/2006	Wootten	
D526,140	S	8/2006	Cook	D6/393
D551,704	S	9/2007	Nakamura	
D581,713	S	12/2008	Berke	
7,530,127	B2	5/2009	Leifermann	
7,614,362	B2	11/2009	Dunn	
D608,560	S	1/2010	Chen	
D608,561	S	1/2010	Chen	
D608,562	S	1/2010	Chen	
7,788,750	B2	9/2010	Norstrem	
D634,148	S	3/2011	Morrison	
8,051,514	B2	11/2011	Yarmer	
D657,150	S	4/2012	Hughes	
D658,412	S	5/2012	Hoyord	
D663,077	S	7/2012	Pohl	
D664,303	S	7/2012	Chauncey	
8,245,339	B2	8/2012	Murray	
D674,644	S	1/2013	Stewart	
D675,855	S	2/2013	Reeves	
D679,870	S	4/2013	Williams	
D696,044	S	12/2013	Robilotto	
D699,983	S	2/2014	Polesuk	
D702,971	S	4/2014	Mitchell	
D702,972	S	4/2014	Busch	
D713,165	S	9/2014	Robinson	
D720,157	S	12/2014	Villena	
D722,239	S	2/2015	Russell	
8,959,683	B2	2/2015	Rochlin	
D723,304	S	3/2015	Chang	
D725,832	S	3/2015	Coulter	
D728,271	S	5/2015	Cohen	

(56) **References Cited**  
**U.S. PATENT DOCUMENTS**

1,893,548	A	1/1933	Francis	
2,032,248	A	2/1936	Bins	
D107,880	S	1/1938	Marsack	
2,399,235	A	4/1946	Leslie	
2,399,625	A	4/1946	Leslie	
3,400,413	A	9/1968	La Grossa	
D256,734	S	9/1980	Riley	
4,542,547	A	9/1985	Sato	
D301,412	S	6/1989	Duvivier	A47C 19/025 D6/361
4,964,184	A	10/1990	Lewis	



# US D904,784 S

D731,209 S	6/2015	Fux		2014/0059765 A1	3/2014	Harris
9,085,125 B2	7/2015	Gesquiere		2014/0082846 A1	3/2014	Blazar
D736,537 S	8/2015	Grossman		2014/0099468 A1	4/2014	Cai
D747,899 S	1/2016	Klein		2014/0130255 A1	5/2014	Montano, Jr.
D773,209 S	12/2016	Jaigobin		2014/0189955 A1	7/2014	Alletto, Jr.
9,510,698 B1	12/2016	Krotova		2014/0190417 A1	7/2014	Lipscomb
D776,960 S	1/2017	Suzuki		2014/0208517 A1	7/2014	Gross
D778,637 S	2/2017	Barry		2014/0227552 A1	8/2014	Lau
D779,856 S	2/2017	Rich		2014/0230735 A1	8/2014	Coulter
D781,078 S	3/2017	Goenka		2014/0250596 A1	9/2014	De La Place
D785,370 S	5/2017	Randall		2014/0283303 A1	9/2014	Rochlin
D785,968 S	5/2017	Burden		2015/0000042 A1	1/2015	Randall
D790,257 S	6/2017	Holbrook		2015/0067967 A1	3/2015	Tyree
D791,494 S	7/2017	Bosch		2015/0074911 A1	3/2015	Dungan
9,737,150 B2	8/2017	Rawls-Meehan		2015/0135435 A1	5/2015	Ueda
D798,077 S	9/2017	Schmitt		2015/0237824 A1	8/2015	Cantwell
9,788,661 B1	10/2017	Alletto		2015/0296995 A1	10/2015	Krim
D802,324 S	11/2017	Bucove		2015/0351982 A1	12/2015	Krenik
D809,321 S	2/2018	Bell		2016/0106061 A1	4/2016	Nelson
D810,458 S	2/2018	Cartier		2016/0135623 A1	5/2016	Montzka
D822,911 S	7/2018	Menayan		2016/0192617 A1	7/2016	Murphy
D824,698 S	8/2018	Pennington		2016/0224750 A1	8/2016	Kethman
D836,849 S	12/2018	Romaya		2016/0262557 A1	9/2016	Williams
D862,104 S *	10/2019	Suzuki .....	A47C 19/025	2016/0296031 A1	10/2016	Sramek
				2016/0309678 A1	10/2016	Garnet
D862,105 S *	10/2019	Liu .....	D6/383	2016/0360905 A1	12/2016	Feldman
D885,077 S *	5/2020	Kamler .....	D6/382	2017/0112292 A1	4/2017	Sopher
				2017/0172240 A1	6/2017	Massey
2001/0029628 A1	10/2001	Ferrand		2017/0208955 A1 *	7/2017	Lee ..... F16B 12/58
2003/0181538 A1	9/2003	Martel		2017/0238715 A1 *	8/2017	Choi ..... A47C 19/025
2003/0233706 A1	12/2003	Birch		2017/0251839 A1	9/2017	McLeod
2004/0134433 A1	7/2004	Holder		2017/0318981 A1	11/2017	Duwell
2004/0154101 A1	8/2004	Digirolamo		2018/0042393 A1	2/2018	Alletto
2005/0087142 A1	4/2005	Dalal		2018/0344041 A1 *	12/2018	Liu ..... A47C 19/027
2005/0210595 A1	9/2005	Di Stasio		2019/0099017 A1	4/2019	Goldberg
2005/0224000 A1	10/2005	Holte		2019/0223630 A1	7/2019	Phan
2006/0046024 A1	3/2006	Huntley		2019/0343306 A1	11/2019	Muthanandam
2006/0085919 A1	4/2006	Kramer				
2006/0254526 A1	11/2006	Andriola				
2006/0272582 A1	12/2006	Dunn				
2007/0040424 A1	2/2007	Neustat				
2007/0101496 A1	5/2007	Ho				
2007/0226911 A1	10/2007	Gladney				
2007/0256241 A1	11/2007	Harmon				
2008/0010746 A1	1/2008	Ho				
2008/0010751 A1	1/2008	Kemper				
2008/0127897 A1	6/2008	Flannery				
2008/0127898 A1	6/2008	Morse				
2008/0127899 A1	6/2008	Angus				
2008/0173627 A1	7/2008	Martin				
2009/0089933 A1	4/2009	Letton				
2009/0106894 A1	4/2009	Yeo				
2009/0127912 A1	5/2009	Galbreath				
2009/0151072 A1	6/2009	Jones, III				
2009/0172881 A1	7/2009	Peterson				
2010/0050341 A1	3/2010	Tepper				
2010/0058541 A1	3/2010	Kemper				
2010/0087561 A1	4/2010	Abraham				
2010/0160473 A1	6/2010	Neff				
2010/0205738 A1	8/2010	Pollack				
2010/0269262 A1	10/2010	Warren				
2010/0313356 A1	12/2010	Morter				
2011/0061168 A1	3/2011	Farley				
2011/0067183 A1	3/2011	Hawkins				
2011/0115635 A1	5/2011	Petrovski				
2011/0154576 A1	6/2011	Warren				
2011/0252572 A1	10/2011	Morrison				
2011/0290834 A1	12/2011	Pelz				
2011/0314605 A1	12/2011	Deguchi				
2012/0060284 A1	3/2012	Gaines				
2012/0324646 A1	12/2012	Briganti				
2013/0025050 A1 *	1/2013	Syrowitz .....	A47C 19/025			
			5/246			
2013/0042411 A1	2/2013	Vitale				
2013/0180050 A1	7/2013	Koci				
2013/0247828 A1	9/2013	Tedaldi				
2013/0263377 A1	10/2013	Wootten, Jr.				
2013/0263386 A1	10/2013	Romero				
2013/0284099 A1	10/2013	Oakes, Jr.				
2014/0039082 A1	2/2014	Peterson				

## FOREIGN PATENT DOCUMENTS

CN	102822224	12/2012
CN	203328338	12/2013
DE	10311434	9/2004
FR	2715550 A1	8/1995
GB	1572763	8/1980
GB	2369569	6/2002
WO	2013157534	10/2013
WO	2014105687	7/2014
WO	2019089830 A1	5/2019

## OTHER PUBLICATIONS

Canadian Patent Application No. 2,909,804, Office Action dated Oct. 18, 2019, 4 pages.

Office Action dated Apr. 9, 2020, for U.S. Appl. No. 29/610,852 (pp. 1-6).

Office Action dated Dec. 2, 2019 for U.S. Appl. No. 29/610,852 (pp. 1-7).

Office Action dated Mar. 16, 2020, for U.S. Appl. No. 15/677,387 (pp. 1-20).

Office Action dated May 6, 2020 for U.S. Appl. No. 15/872,737 (pp. 1-10).

Office Action dated Nov. 15, 2019 for U.S. Appl. No. 29/610,695 (pp. 1-7).

Office Action dated Nov. 15, 2019 for U.S. Appl. No. 29/610,820 (pp. 1-6).

Office Action dated Nov. 18, 2019 for U.S. Appl. No. 29/610,826 (pp. 1-7).

10" Sewn-Thru Boxstitch PrimaSera Down Alternative Duvet Insert, Tc 230 accessed Jul. 13, 2017 ([http://hotelsuppliesdepot.com/10-Sewn-Thm-Boxstitch-PrimaSera-Down-Alternative-DUVET-INSERTTc-230-j\\_409.html](http://hotelsuppliesdepot.com/10-Sewn-Thm-Boxstitch-PrimaSera-Down-Alternative-DUVET-INSERTTc-230-j_409.html)) (1 page).

700 Fill Power Temperature Regulating Down Comforter accessed Jul. 13, 2017 (<https://www.cuddledown.com/itemdy00.aspx?ID=70,3276&T1=Z1087+100+10+01>) (12 pages).

- Amazon Basics Padded Pet Bolster Bed ([https://www.amazon.com/AmazonBasics-Padded-Pet-Bolster-Bed/dp/B00LQZ18XQ?ie=UTF8&keywords=dog%20bed&gid=1459134598&ref=sr\\_1\\_11&refinements=p\\_n\\_feature\\_keywords\\_two\\_browse-bin%3A8002501011%7C8002502011%7C8002503011&s=pets-supplies&sr=1-11](https://www.amazon.com/AmazonBasics-Padded-Pet-Bolster-Bed/dp/B00LQZ18XQ?ie=UTF8&keywords=dog%20bed&gid=1459134598&ref=sr_1_11&refinements=p_n_feature_keywords_two_browse-bin%3A8002501011%7C8002502011%7C8002503011&s=pets-supplies&sr=1-11)), accessed Sep. 16, 2016 (6 pages).
- Amazon Stainmaster Comfy Couch Pet Bed, accessed Sep. 16, 2016 ([https://www.amazon.com/STAINMASTER-Comfy-Couch-Large-Olive/dp/B00LQZ18XQ?ie=UTF8&keywords=dog%20bed&gid=1459134598&ref=sr\\_1\\_426&refinements=p\\_n\\_feature\\_keywords\\_two\\_browse-bin%3A8002501011%7C8002502011%7C8002503011&s=pets-supplies&sr=1-426](https://www.amazon.com/STAINMASTER-Comfy-Couch-Large-Olive/dp/B00LQZ18XQ?ie=UTF8&keywords=dog%20bed&gid=1459134598&ref=sr_1_426&refinements=p_n_feature_keywords_two_browse-bin%3A8002501011%7C8002502011%7C8002503011&s=pets-supplies&sr=1-426)) (8 pages).
- Amazon Basics Padded Pet Bolster Bed, accessed Sep. 16, 2016 ([https://www.amazon.com/AmazonBasics-Padded-Pet-Bolster-Bed/dp/B00QHC06UO-?ie=UTF8&keywords=dog%20bed&gid=1459134598&ref=sr\\_1\\_11&refinements=p\\_n\\_feature\\_keywords\\_two\\_browse-bin%3A8002501011%7C8002502011%7C8002503011&s=pets-supplies&sr=1-11](https://www.amazon.com/AmazonBasics-Padded-Pet-Bolster-Bed/dp/B00QHC06UO-?ie=UTF8&keywords=dog%20bed&gid=1459134598&ref=sr_1_11&refinements=p_n_feature_keywords_two_browse-bin%3A8002501011%7C8002502011%7C8002503011&s=pets-supplies&sr=1-11)) (6 pages).
- Badenia 3649730149 Bettcomfort Steppbett, 4-Jahreszeiten, Micro Thermo, 155 x 220 cm, weiB accessed Jul. 13, 2017 ([https://www.amazon.de/Badenia-Bettcomfort-03649730149/-Jahreszeiten-Steppbett-Thermo/dp/B00261BFN0/?ef=sr\\_1\\_5?kitchen&ie=UTF8&qid=1460493398&sr=1-5](https://www.amazon.de/Badenia-Bettcomfort-03649730149/-Jahreszeiten-Steppbett-Thermo/dp/B00261BFN0/?ef=sr_1_5?kitchen&ie=UTF8&qid=1460493398&sr=1-5)) (1 page).
- Browsers Donut Bed, accessed Sep. 16, 2016 (<http://www.browsers.com/pet-beds/donut-beds/donut-bed-nickel-weave.html>) (1 page).
- Browsers Super Loft Rectangle Avalon, accessed Sep. 16, 2016 (<http://www.browsers.com/pet-beds/super-loft-rectangle/superloft-rectangle-avalon.html>) (1 page).
- Browsers Urban Lounger (<http://www.browsers.com/pet-beds/urban-lounger/urban-lounger-everest.html>), accessed Sep. 16, 2016 (1 page).
- Browsers Urban Lounger, accessed Sep. 16, 2016 (<http://www.browsers.com/pet-beds/urban-lounger/urban-loungereverest.html>) (1 page).
- Casper Pillow review. Sleepopolis. Published on Jan. 22, 2016. Website found at: <https://www.youtube.com/watch?v=h4AhiXbEO3U>. (15 pages).
- Chewy Casper Memory Foam Dog Bed Aug. 28, 2017 [site visited Jan. 23, 2018] Available from Internet URL: <https://www.chewy.com/casper-memory-foam-dog-bed-medium/dp/155149> (7 pages).
- Communication from Thomas Petr received in PCT/US2015/026564, dated Feb. 27, 2016. (1 page).
- Correspondence Regarding Distribution of Dormia Radiance Mattress, Authored by Classic Brands, LLC, dated Nov. 1, 2007. (1 pg).
- Design Within Reach, Min Bed, [http://www.dwr.com/bedroom-beds/min-bed/6348.html?lang=en\\_US](http://www.dwr.com/bedroom-beds/min-bed/6348.html?lang=en_US) (accessed May 23, 2018) (19 pages).
- Doca pet Zz Bed, accessed Sep. 16, 2016 (<https://www.docapet.com/product/zz-bed/>) (2 pages).
- Dormia Website Existing at Least as Early as Jun. 14, 2008. (2 pages).
- Downlite Downlite Dream Naturally 300 Thread Count Wool Down Comforter, accessed Jul. 13, 2017 ([www.sears.com/downlite-dream-naturally-300-thread-count-wool/](http://www.sears.com/downlite-dream-naturally-300-thread-count-wool/))-0000000000000020571000000000000362141P?plpSellerId=Overstock.com&prdNo=12&blockNo=12&blockType=G12) (4 pages).
- Extended European Search Report issued in EP18192998.5, dated Nov. 20, 2018, 8 pages.
- EZ Wash Fleece Lounger Poly-Filled Dog Bed, [site visited Jan. 23, 2018] Available from Internet URL: <https://www.wayfair.com/pet/pdp/3-dog-pet-supply-ez-wash-fleecelounger-poly-filled-dog-bed-dpdp1004.html?piid=18825537>. (3 pages).
- Frontgate Huggy Nest Pet Bed, accessed Sep. 16, 2016 (<http://www.frontgate.com/huggy-nest-pet-bed/pet-products/pet-bedsblankets-throws/bolster-pet-beds/802099>), (2 pages).
- Frontgate Urban Denim Lounger Pet Bed , accessed Sep. 16, 2016 (<http://www.frontgate.com/urban-denim-lounger-pet-bed/pet-products/pet-bedsblankets-throws/bolster-beds/451775>) (3 pages).
- Groupon Water-Resistant Orthopedic Foam Pet Crate Mats, announced 2018 [online], [site visited Jan. 22, 2018] Available from Internet URL: <https://www.groupon.com/latest-deals/gg-waterresistant-orthopedic-foam-pet-crate-mats>. (2 pages).
- Hobbs WL90 Count Batting Heirloom Wool, 90" x 108" accessed Jul. 13, 2017 ([https://www.amazon.com/Hobbs-WL90-Count-Batting-Heirloom/dp/B0063G013G/ref=sr\\_1\\_9?e=UTF8&qid=1497374885&sr=8-9&keywords=wool+batting](https://www.amazon.com/Hobbs-WL90-Count-Batting-Heirloom/dp/B0063G013G/ref=sr_1_9?e=UTF8&qid=1497374885&sr=8-9&keywords=wool+batting)) (1 page).
- How to set up your dog mattress, no date available (1 page).
- Howlspot My Territory ([http://www.howlspot.com/product/detail.html?product\\_no=30&cate\\_no=1&display\\_group=2](http://www.howlspot.com/product/detail.html?product_no=30&cate_no=1&display_group=2)), accessed Sep. 16, 2016 (9 pages).
- Howlspot My Territory, accessed Sep. 16, 2016. ([http://www.howlspot.com/product/detail.html?product\\_no=30&cate\\_no=1&display\\_group=2](http://www.howlspot.com/product/detail.html?product_no=30&cate_no=1&display_group=2)) (9 pages).
- International Search Report and Written Opinion for Application No. PCT/US19/28543, dated Aug. 22, 2019, 16 pages.
- International Search Report and Written Opinion for PCT/US18/46573 dated Oct. 22, 2018, 23 pages.
- International Search Report, Written Opinion of ISA and Search History, PCT/US2015/026564, dated Aug. 31, 2015. (19 pages).
- Japanese Office Action (with English language translation) for Application No. 2017-507687, dated Apr. 2, 2019, 9 pages.
- Jax & Bones Donut Bed, accessed Sep. 16, 2016 (<https://www.jaxandbones.com/products/bedding/donut/licorice-donut-bed>) (3 pages).
- Jax & Bones Memory Foam Bed, accessed Sep. 16, 2016 (<https://www.jaxandbones.com/products/bedding/memory-foam/juniper-memory-foam-pillow>) (2 pages).
- Jax & Bones Sleeper Bed, accessed Sep. 16, 2016 (<https://www.jaxandbones.com/products/bedding/sleeper/tweed-cremesleeper-bed>), (2 pages).
- L.L.Bean Premium Denim Dog Bed Set, Rectangular, accessed Sep. 16, 2016 (<http://www.llbean.com/llb/shop/44560?feat=507408-GN2&page=premium-denim-dog-bed-set-rectangular>) (3 pages).
- L.L.Bean Premium Dog Couch, accessed Sep. 16, 2016 (<http://www.llbean.com/llb/shop/66388?feat=507408-GN2&page=premium-dog-couch>) (3 pages).
- Love Thy Beast Flip Stitch Bed, accessed Sep. 16, 2016 (<http://www.lovethebeast.com/collections/sleep/products/flip-stitchbed-grey-blacblack>) (7 pages).
- Luca Crate Cuddler, announced Jul. 15, 2016 [online], [site visited Jan. 23, 2018] Available from Internet URL: <https://www.youtube.com/watch?v=4HeVQP2Z86E> at approximately 0:05. (1 page).
- Lux Premium Dog Bed, accessed Sep. 16, 2016 (<http://godogbeds.com/product/sample-product-2/>) (1 page).
- Marlon Pilvi Cushion [http://en.marlonshop.com/product/Pilvi-Cushion/50/?cate\\_no=1&display\\_group=2](http://en.marlonshop.com/product/Pilvi-Cushion/50/?cate_no=1&display_group=2)), accessed Sep. 16, 2016 (13 pages).
- Notice of Allowance dated Jul. 12, 2019 for U.S. Appl. No. 29/641,393 (pp. 1-10).
- Office Action and Search Report for China Patent Application No. 201580019495.5 (May 3, 2018) (12 pages).
- Office Action dated Mar. 20, 2019 for U.S. Appl. No. 15/611,902 (pp. 1-16).
- Organic Wool Toddler Pillow, All Natural & 100% GOTS Certified Pure Organic, Wool 'Pearls' accessed Jul. 13, 2017 (<https://www.amazon.com/Organic-Certified-Antibacterial-Hypoallergenic-Toddler/dp/B00P6SKT7K>) (2 pages).
- Orvis Deep Dish Dog Bed with Memory Foam, accessed Sep. 16, 2016 (<http://www.orvis.com/p/deep-dish-dog-bed/2c9b>) (2 pages).
- Orvis Tempur-Pedic.RTM. Deep Dish Dog Bed, accessed Sep. 16, 2016. (<http://www.orvis.com/p/orvis-tempur-pedic-deepdish-dog-bed/2gr6>) (2 pages).
- Orvis ToughChew Dog Bed with Polyester Fill, accessed Sep. 16, 2016 (<http://www.orvis.com/p/toughchew-rectangle-dogbed/0h4c>) (2 pages).
- Orvis Wraparound Fleece Dog Bed with Memory Foam, accessed Sep. 16, 2016 (<http://www.orvis.com/p/wraparound-fleecedog-bed/2es4>) (2 pages).
- Petco K&H Deluxe Ortho Bolster Sleeper Dog Bed , accessed Sep. 16, 2016 (<http://www.petco.com/shop/en/petcostore/dog/dog-beds-and-bedding/dog-bed-s/kandh-deluxe-ortho-bolster-sleeper-dog-bed-in-eggplant-with-paw-prints#>) (2 pages).
- PetCo Sweet Dreams Rectangular Bolster Dog Bed , accessed Sep. 16, 2016 (<http://www.petco.com/shop/en/petcostore/dog/dog-beds-and-bedding/dog-bed-s/sweet-dreams-rectangular-bolster-dog-bed>) (2 pages).

PetCo Sweet Dreams Rectangular Bolster Dog Bed [http://www.petco.com/shop/en/pet\(X\)store/dog/dog-beds-an/\^log-bed](http://www.petco.com/shop/en/pet(X)store/dog/dog-beds-an/\^log-bed), accessed Sep. 16, 2016 (2 pages).

Petsmart Carolina Pet Orthopedic Comfort Couch, accessed Sep. 16, 2016. [http://www.petsmart.com/dog/beds/carolina-petorthopedic-comfort-couch-personalized-pet-bed-zid36-5591/cat-36-catid-100063?var\\_id=36-5591](http://www.petsmart.com/dog/beds/carolina-petorthopedic-comfort-couch-personalized-pet-bed-zid36-5591/cat-36-catid-100063?var_id=36-5591) (2 pages).

Petsmart K&H Classy Lounger Pet Bed, accessed Sep. 16, 2016. ([http://www.petsmart.com/dog/beds/k-h-classy-lounger-petbed-zid36-26968/-cat-36-catid-100063?var\\_id=36-26968](http://www.petsmart.com/dog/beds/k-h-classy-lounger-petbed-zid36-26968/-cat-36-catid-100063?var_id=36-26968)), (1 page).

Round Orvis Dog's Nest, accessed Sep. 16, 2016, (<http://www.orvis.com/p/round-orvis-dogs-nest/1h0l>) (2 pages).

Ruffler Urban Sprawl <http://www.ruffwear.com/Urban-Sprawl-Plush-Dog-Bed?sc=2&category=17>, accessed Sep. 16, 2016 (2 pages).

Ruffler Urban Sprawl, accessed Sep. 16, 2016 (<http://www.ruffwear.com/Urban-Sprawl-Plush-Dog-Bed?sc=2&category=17>) (2 pages).

Shinola Dolostone Dog Bed, accessed Sep. 16, 2016 (<http://www.shinola.com/shop/pet-accessories/dolostone-dogbed.html#color=Ashen%220Gray>) (2 pages).

Specification and Build Sheet for Dormia Radiance Mattress dated Jun. 14, 2007. (2 pages).

Supplementary Partial European Search Report for EP 15 78 3835 (Nov. 14, 2017) (14 pages).

The Casper Dog Mattress In-depth Review Demo, announced Feb. 15, 2017 [online], [site visited Jan. 23, 2018] Available from Internet URL: <[https://www.youtube.com/watch?v=jRqVxs\\_M35g](https://www.youtube.com/watch?v=jRqVxs_M35g)> at approximately 2:39. (1 page).

The Casper Mattress, [casper.com/mattresses/casper/](http://casper.com/mattresses/casper/), retrieved Aug. 27, 2019, 29 pages.

The Essential Mattress, [casper.com/mattresses/casper-essential/](http://casper.com/mattresses/casper-essential/), retrieved Aug. 27, 2019, 15 pages.

The Wave Mattress, [casper.com/mattresses/casper-wave/](http://casper.com/mattresses/casper-wave/), retrieved Aug. 27, 2019, 30 pages.

Third-Party Submission Under 37 CFR 1.290 dated Jun. 14, 2016 in U.S. Appl. No. 14/689,945. (15 pages).

Third-Party Submission Under 37 CFR 1.290 dated Jun. 27, 2016 in U.S. Appl. No. 14/689,945. (11 pages).

Third-Party Submission under 37 CFR 1.290 dated Jun. 10, 2016 in U.S. Appl. No. 14/689,945. (9 pages).

Unboxing and Setting Up a Casper Dog Bed, announced Sep. 14, 2016 [online], [site visited Jan. 23, 2018] Available from Internet URL: <<https://www.youtube.com/watch?v=fAEKTatzCTA>> at approximately 0:48. (1 page).

World of Angus Dog Bed, accessed Sep. 16, 2016, (<http://worldofangus.com/collections/the-dog-bed-collection/products/thedog-bed>) (4 pages).

\* cited by examiner

Primary Examiner — Cathron C Brooks

(74) *Attorney, Agent, or Firm* — Koffsky Schwalb LLC; Mark I. Koffsky

(57)

### CLAIM

We claim the ornamental design for a platform bed frame, as shown and described.

### DESCRIPTION

FIG. 1 is a front perspective view of a platform bed frame in accordance with a first embodiment;

FIG. 2 is a front view thereof;

FIG. 3 is a rear view thereof;

FIG. 4 is a left view thereof;

FIG. 5 is a right view thereof;

FIG. 6 is a top view thereof; and

FIG. 7 is a bottom view thereof.

FIG. 8 is a closeup of an overhead perspective inner view of a rear-left corner post of a platform bed frame, the rear-right corner post, front-left corner post and front-right corner post being mirror images;

FIG. 9 is an overhead perspective outer view thereof;

FIG. 10 is a left view thereof; and

FIG. 11 is a rear view thereof.

FIG. 12 is a closeup of an overhead perspective view of a rear connector of a platform bed frame, the front connector being a mirror image.

FIG. 13 is a front perspective view of a platform bed frame in accordance with a second embodiment;

FIG. 14 is a front view thereof;

FIG. 15 is a rear view thereof;

FIG. 16 is a left view thereof;

FIG. 17 is a right view thereof;

FIG. 18 is a top view thereof; and

FIG. 19 is a bottom view thereof.

FIG. 20 is a closeup of an overhead perspective inner view of a rear-left corner post of a platform bed frame, the rear-right corner post, front-left corner post and front-right corner post being mirror images;

FIG. 21 is an overhead perspective outer view thereof;

FIG. 22 is a left view thereof; and,

FIG. 23 is a rear view thereof.

1 Claim, 15 Drawing Sheets

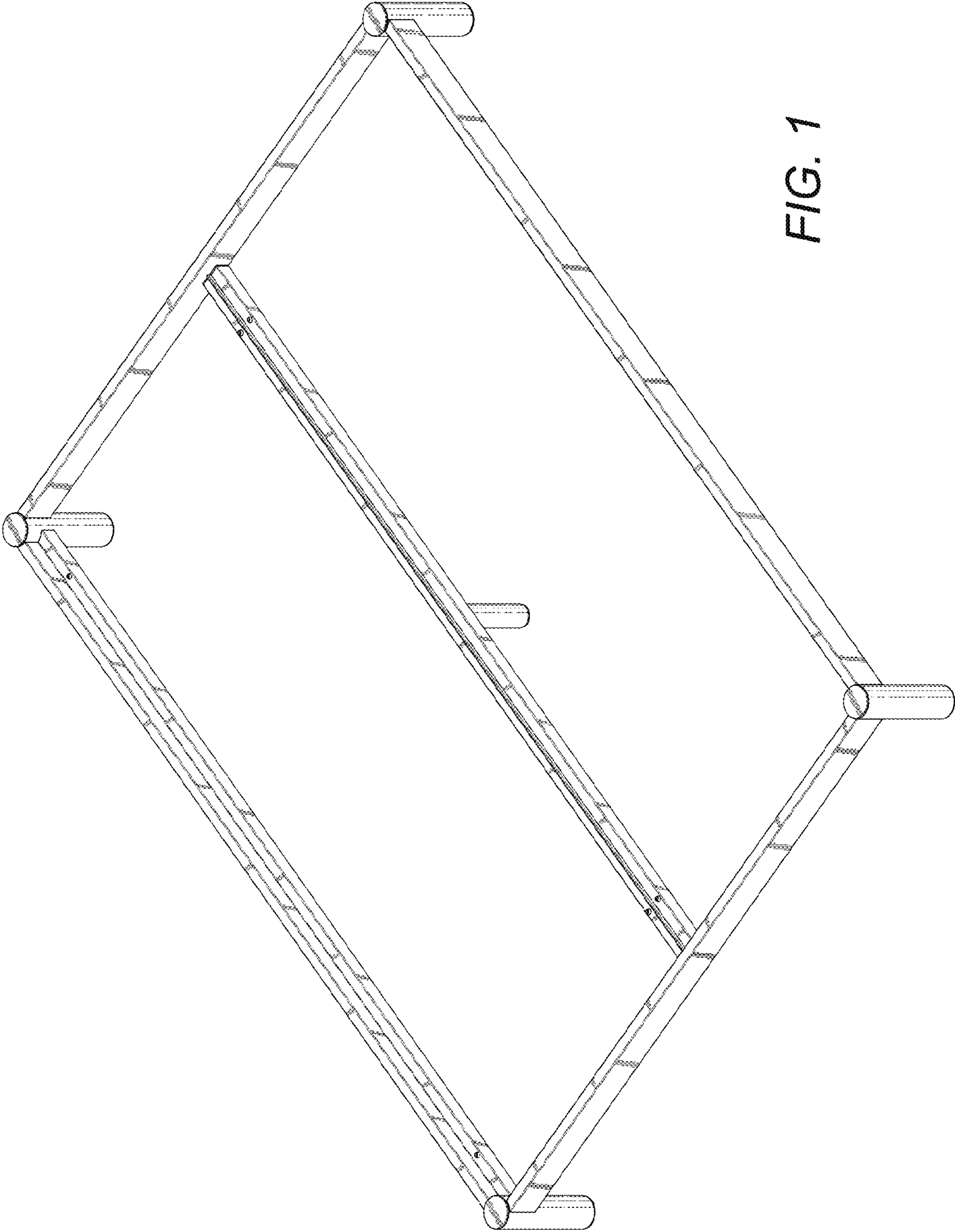
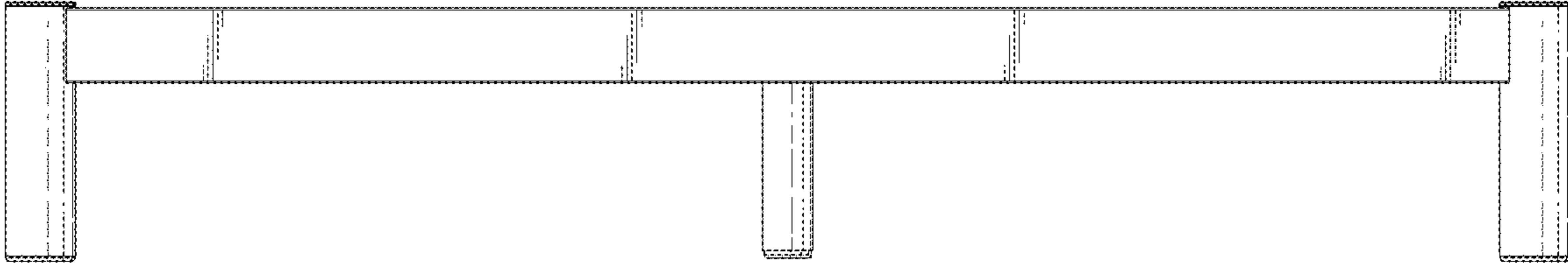
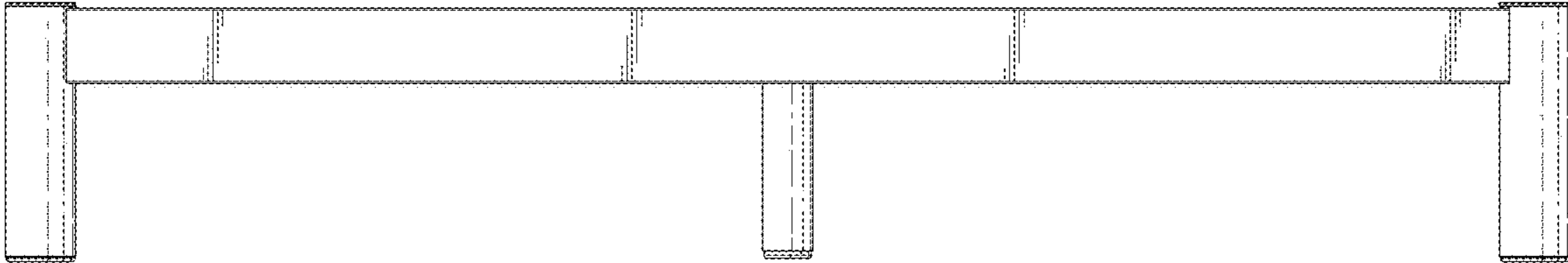


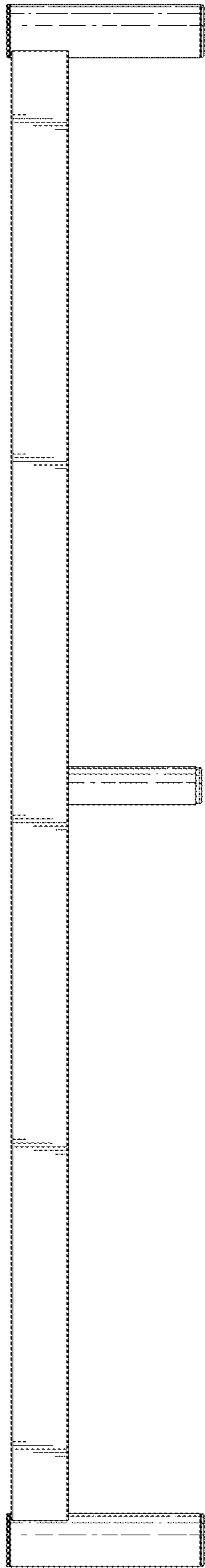
FIG. 1



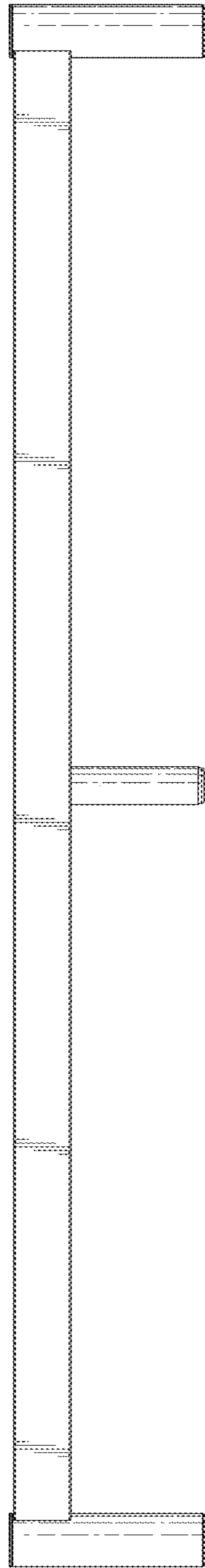
*FIG. 2*



*FIG. 3*



*FIG. 4*



*FIG. 5*

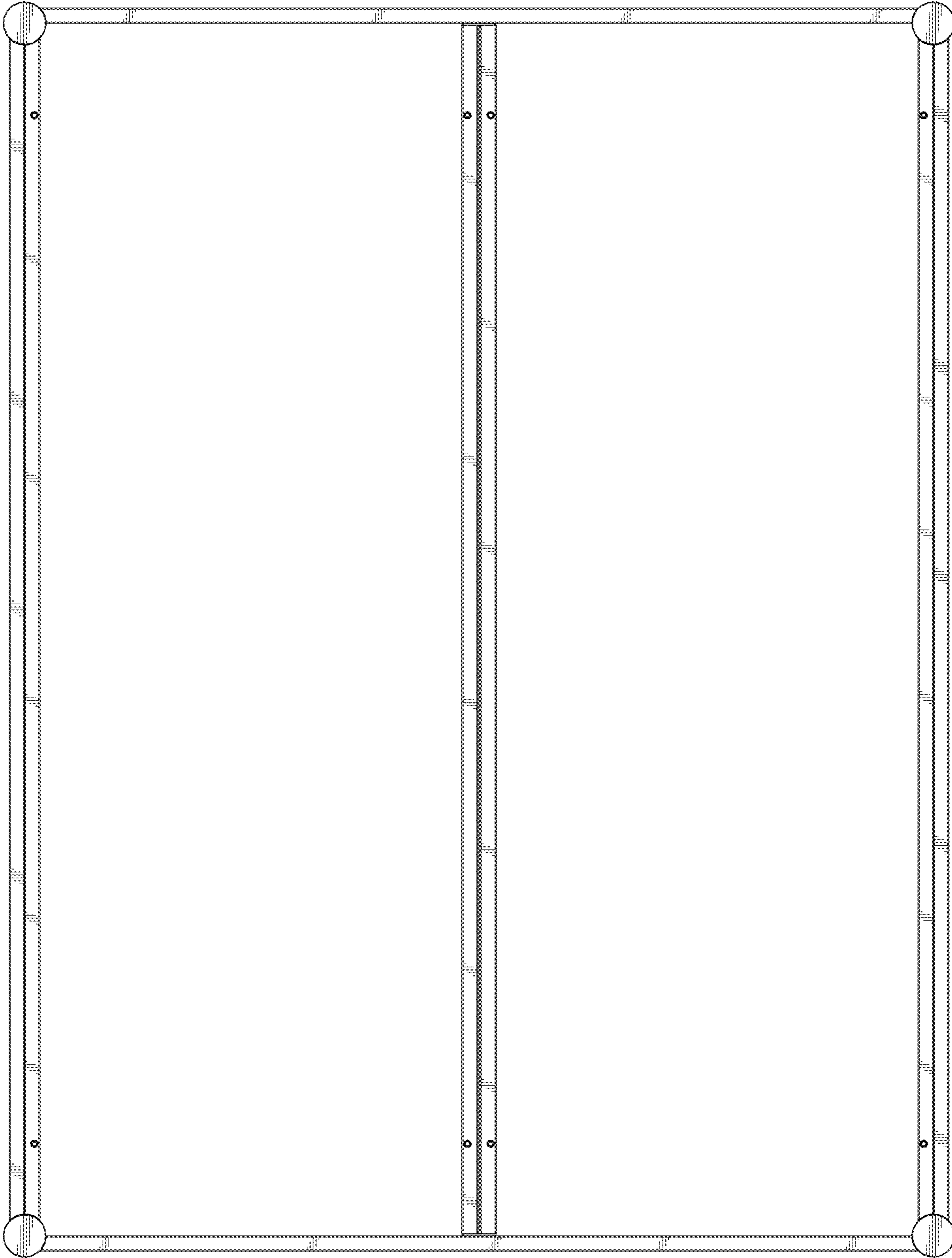


FIG. 6



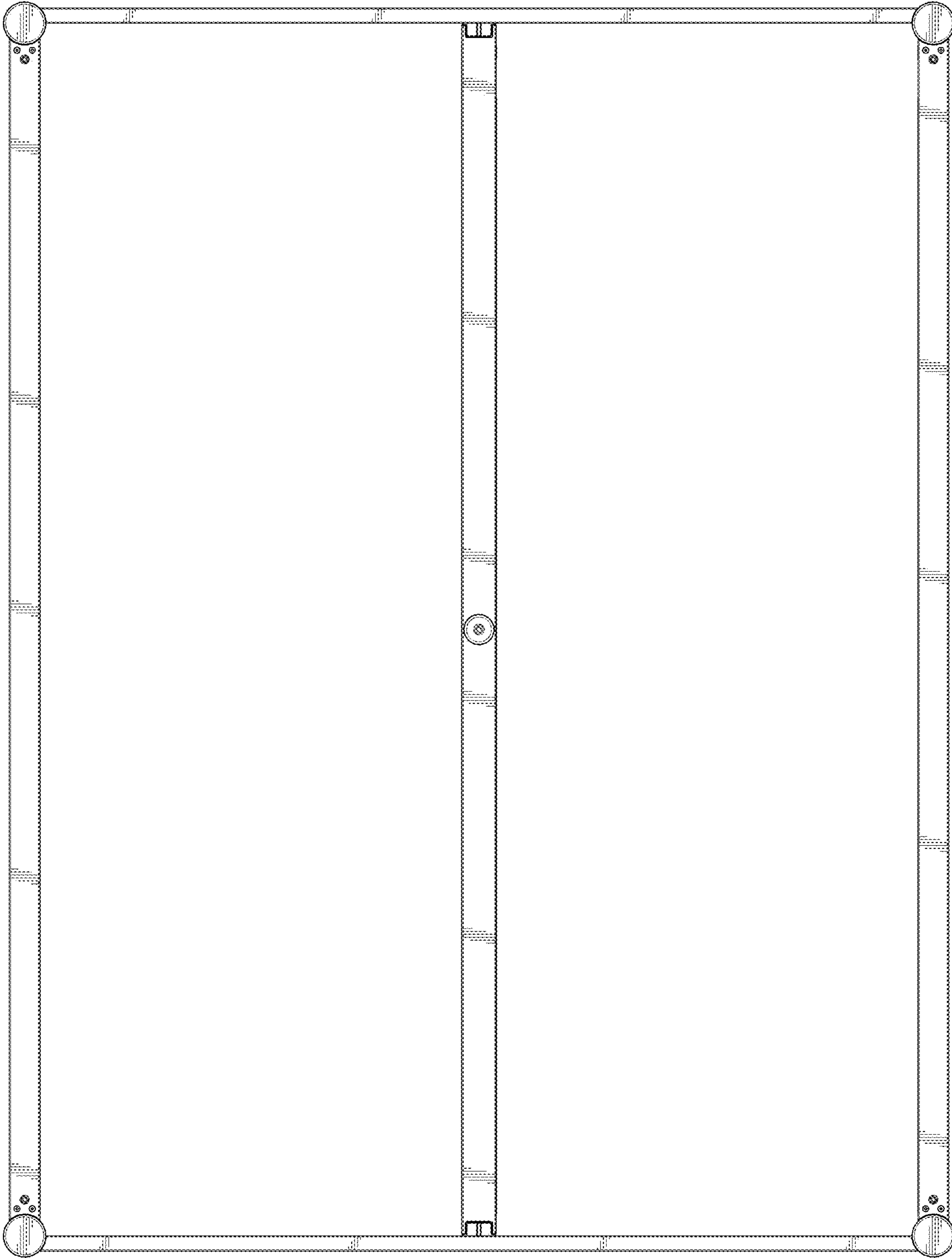
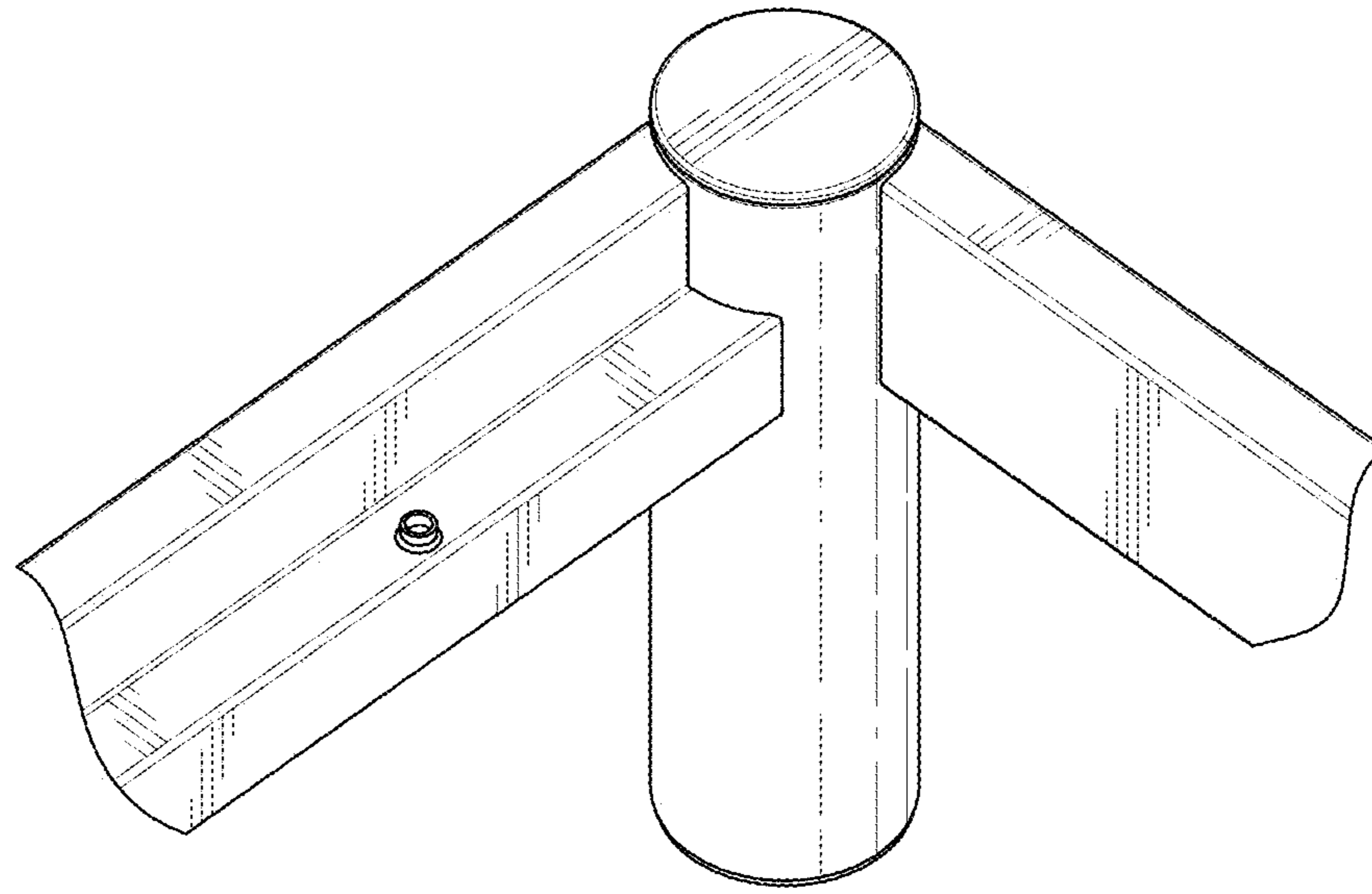
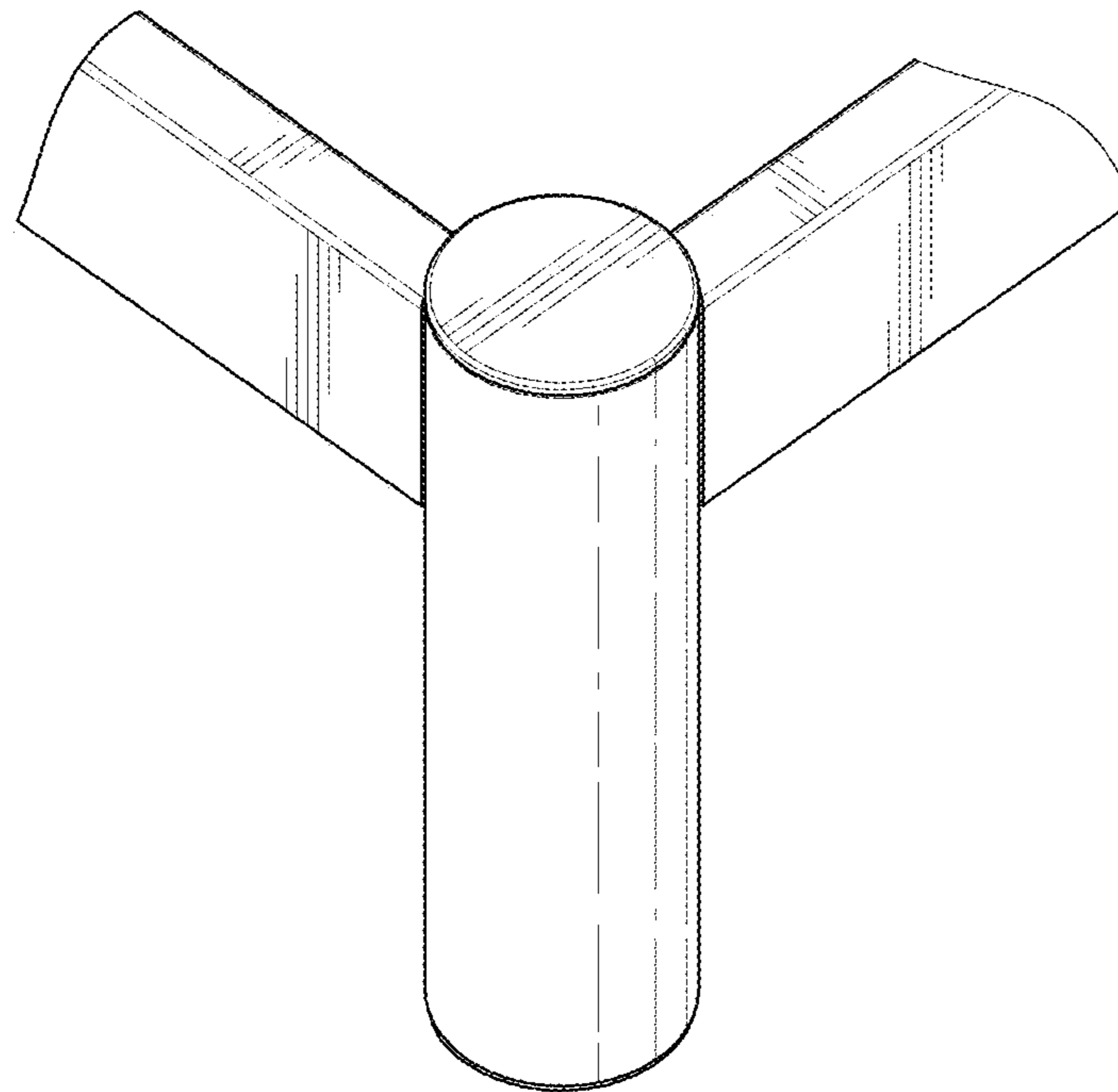


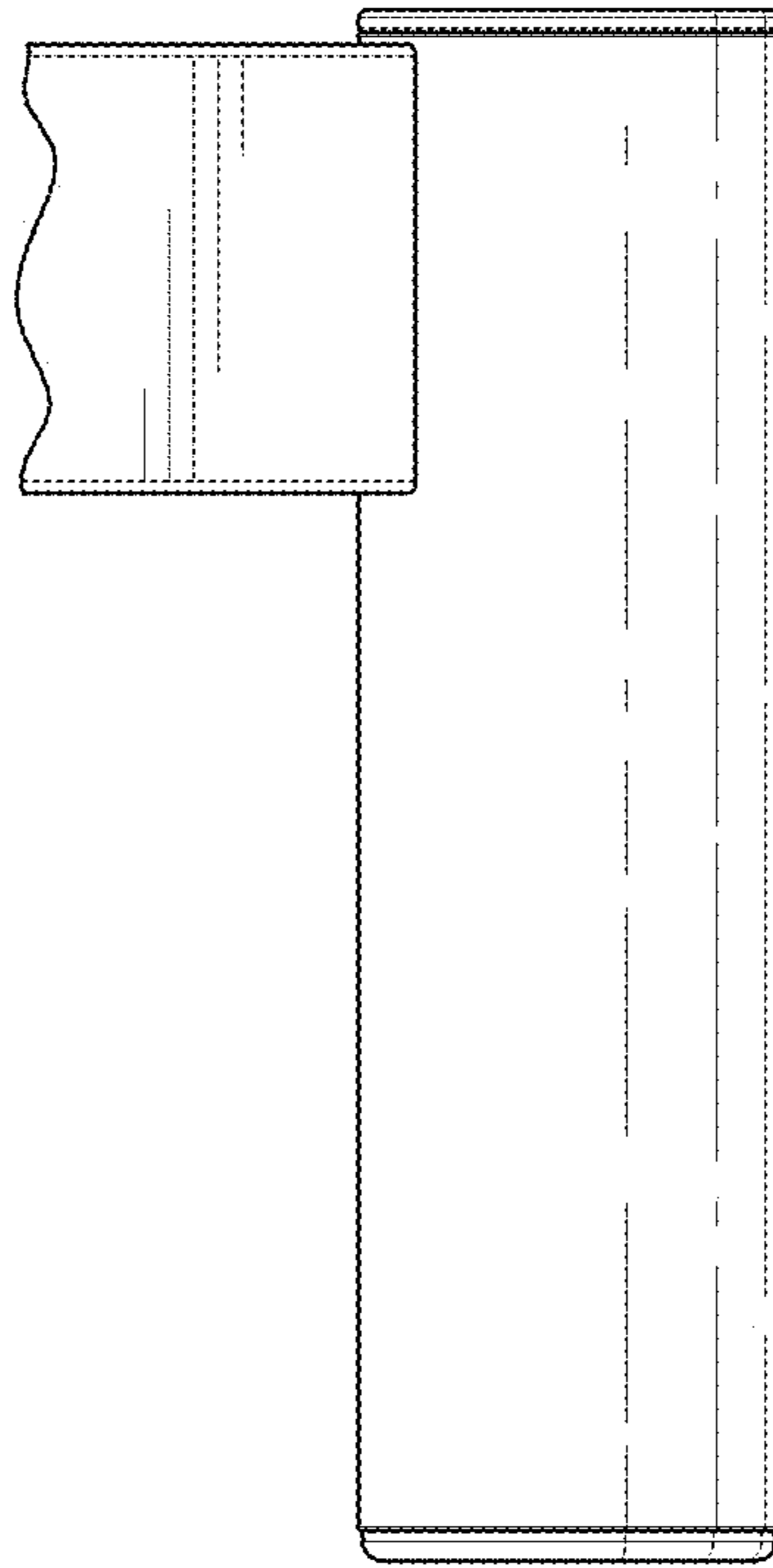
FIG. 7



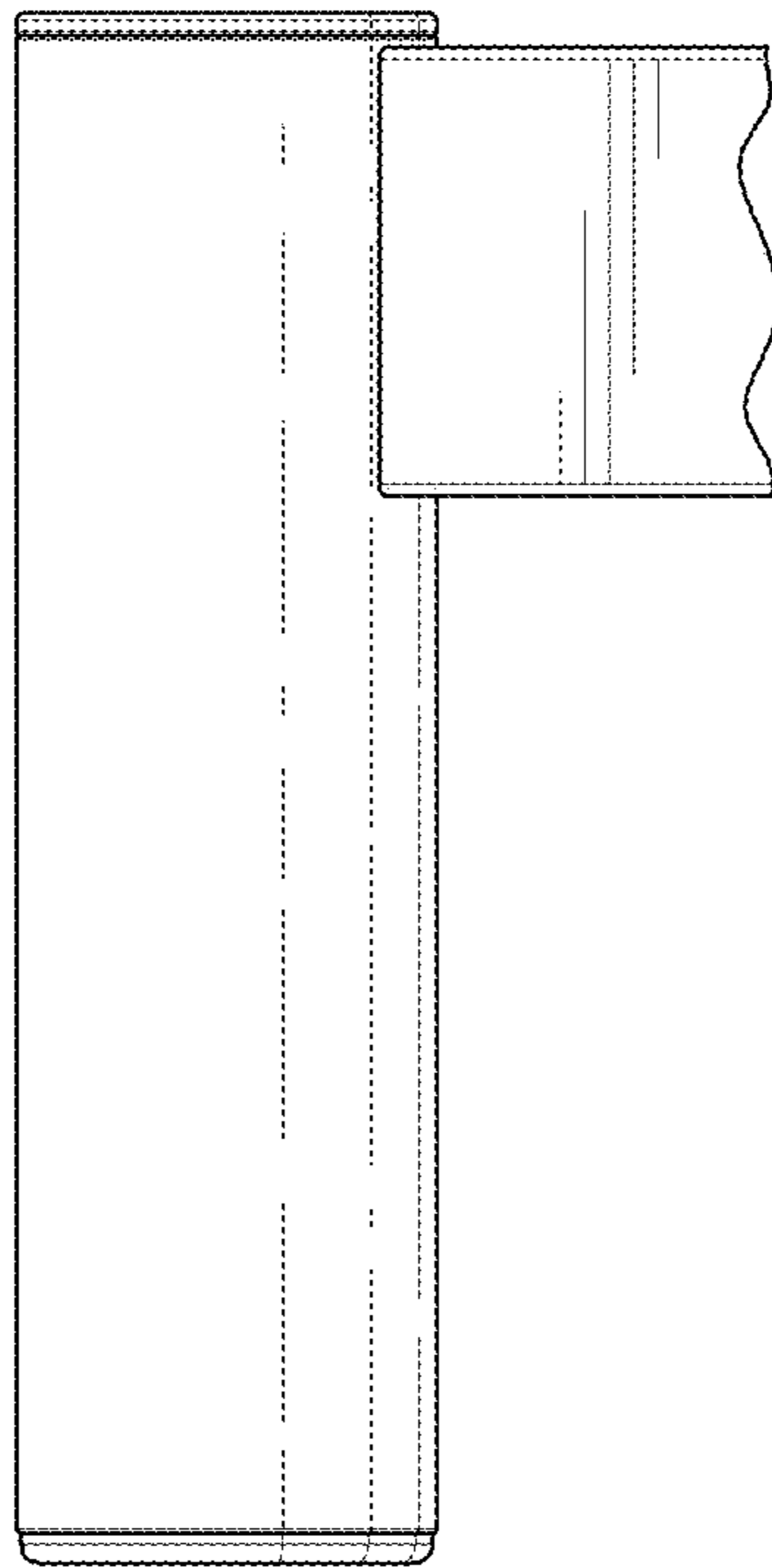
*FIG. 8*



*FIG. 9*



*FIG. 10*



*FIG. 11*

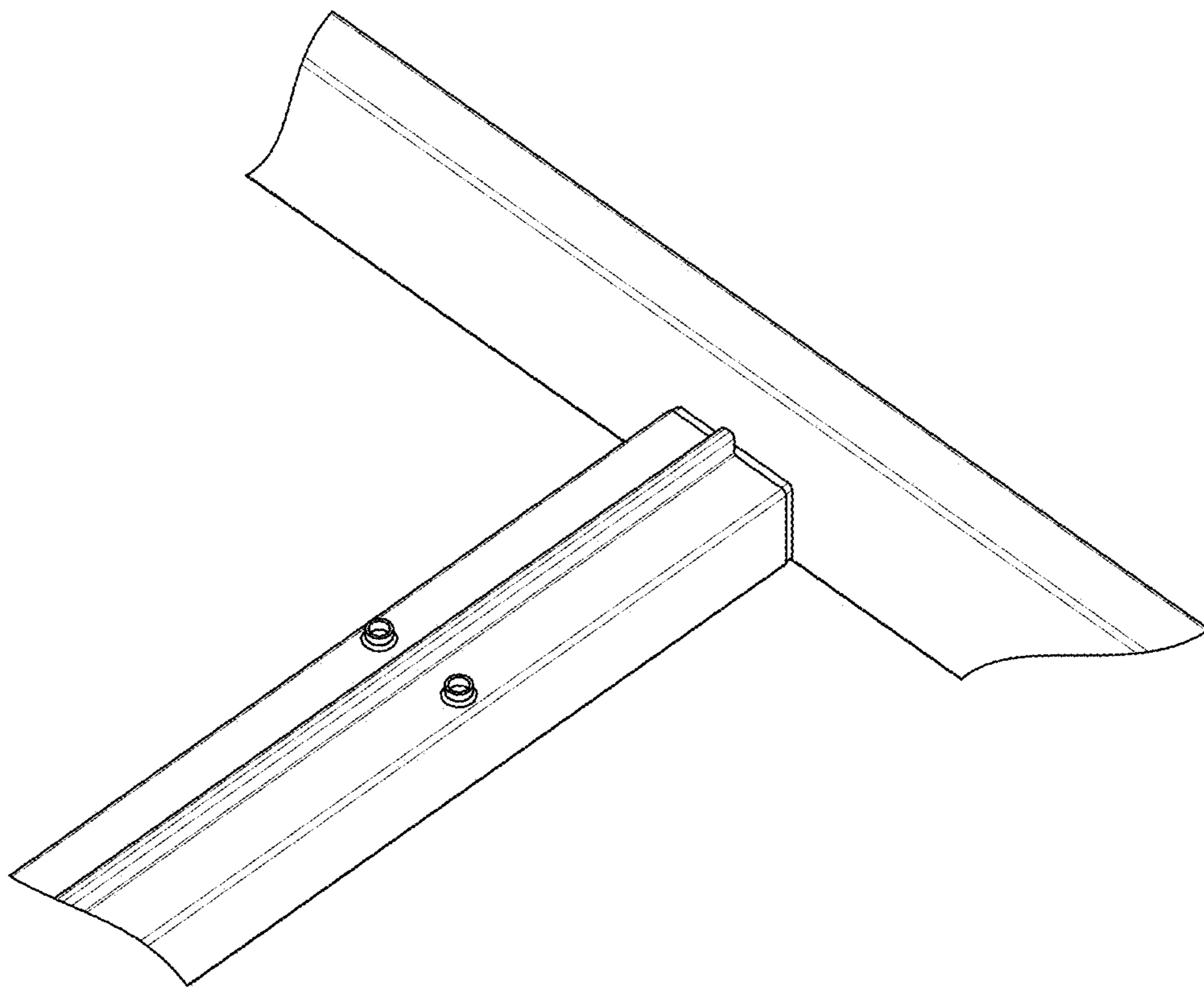


FIG. 12

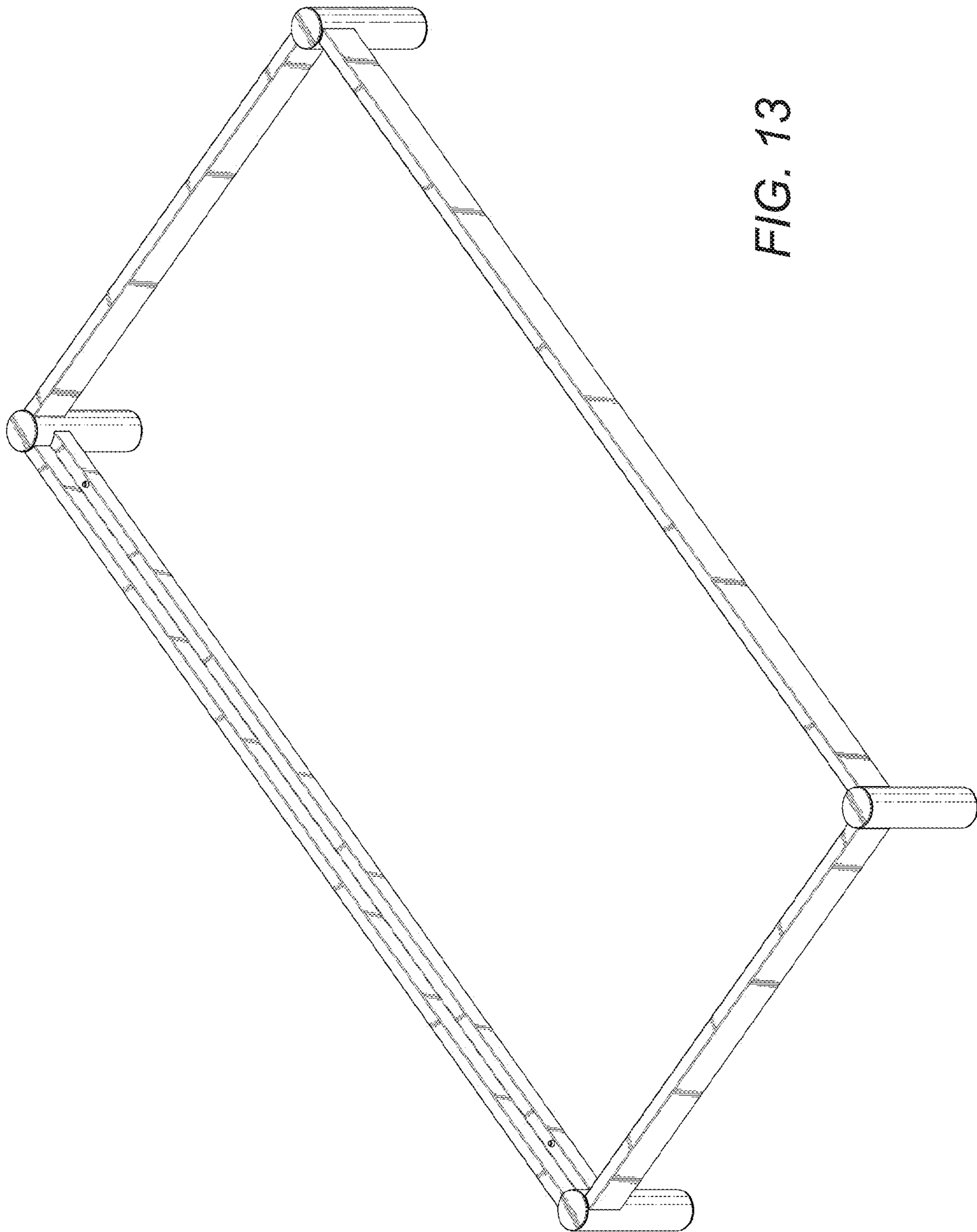
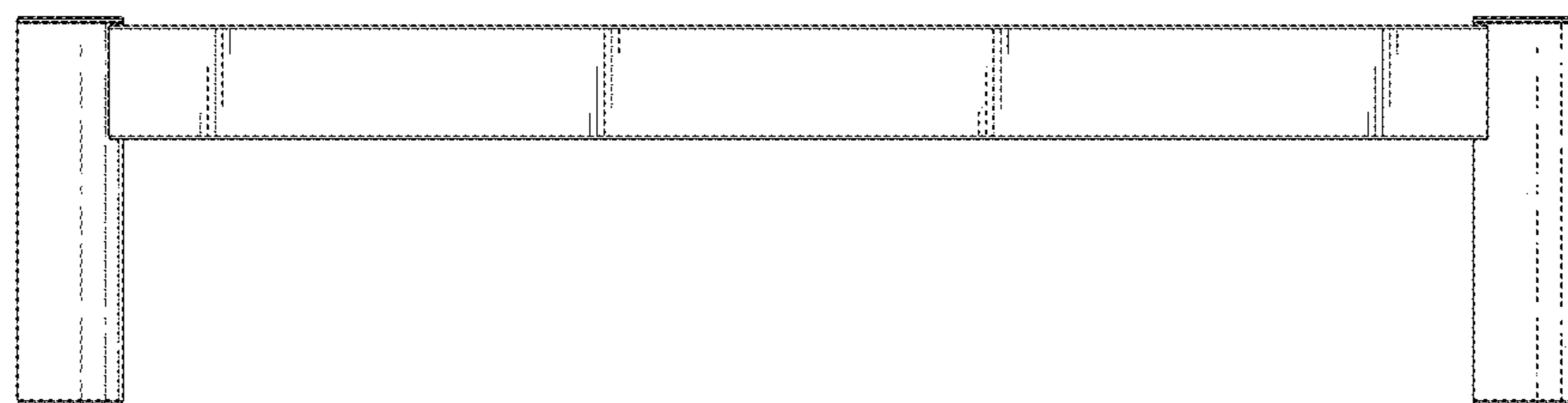
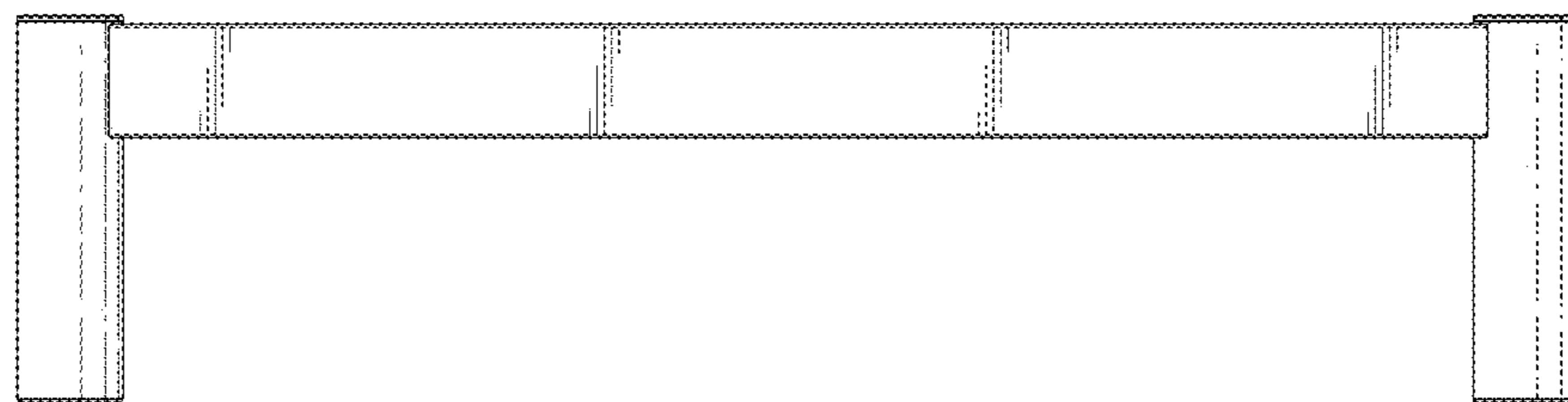


FIG. 13



*FIG. 14*



*FIG. 15*

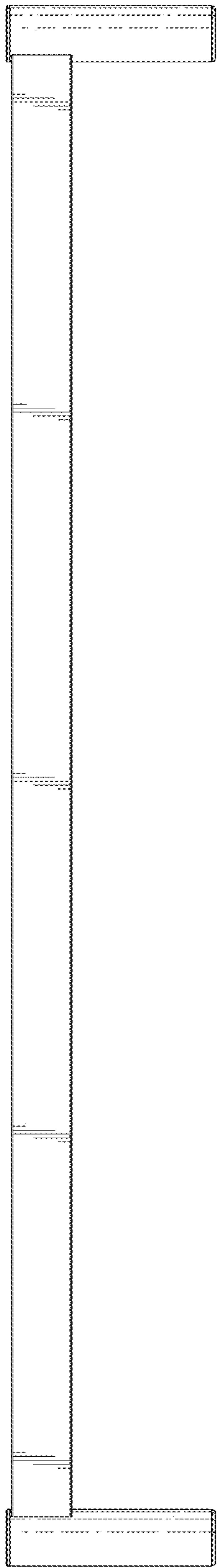


FIG. 16

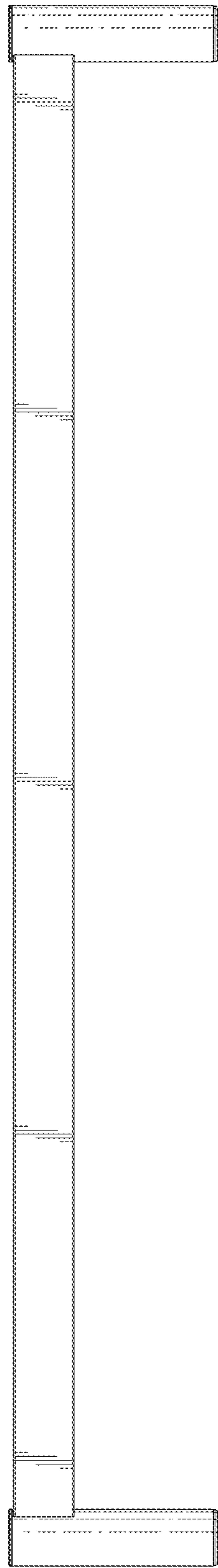


FIG. 17

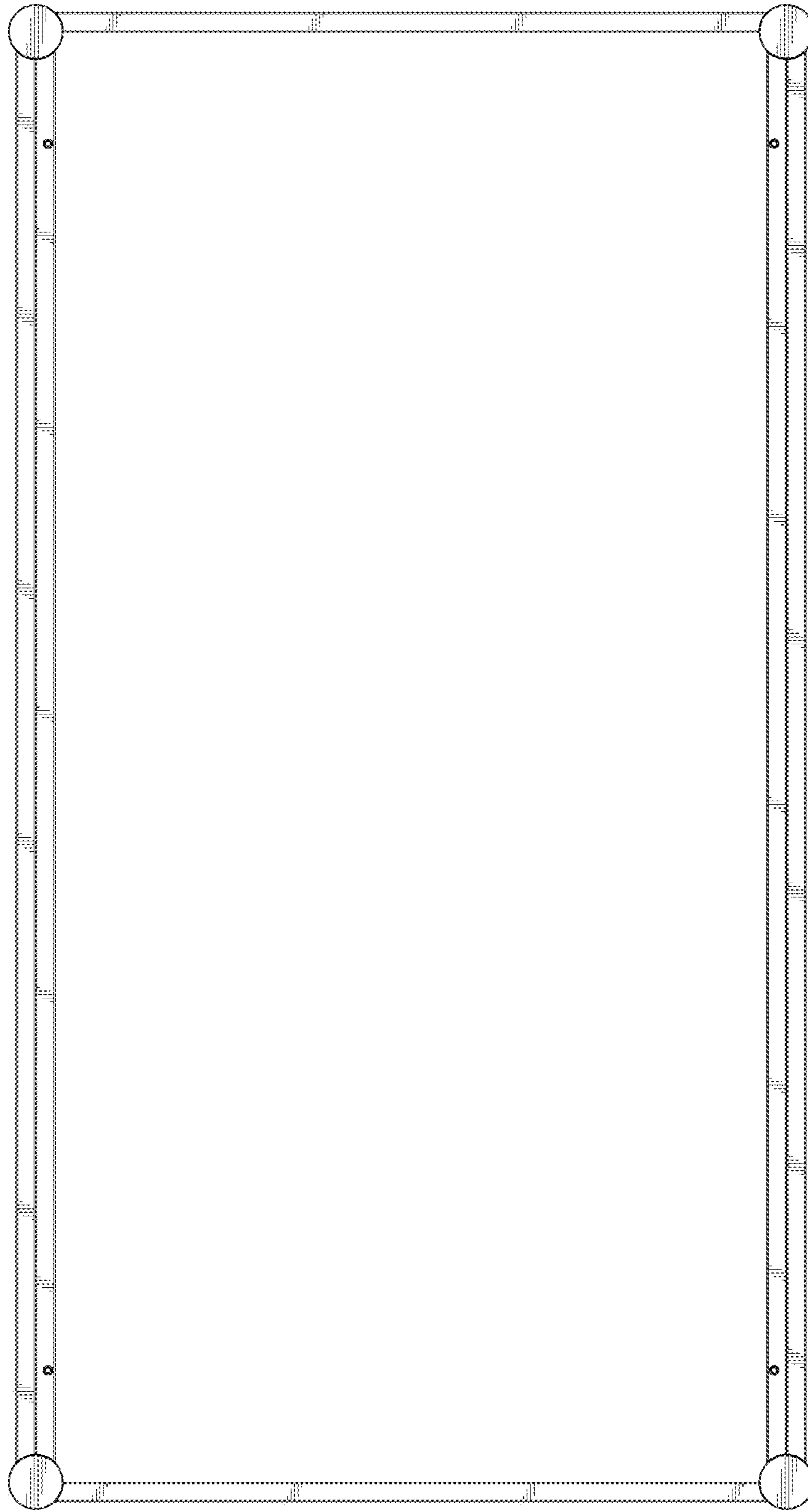


FIG. 18



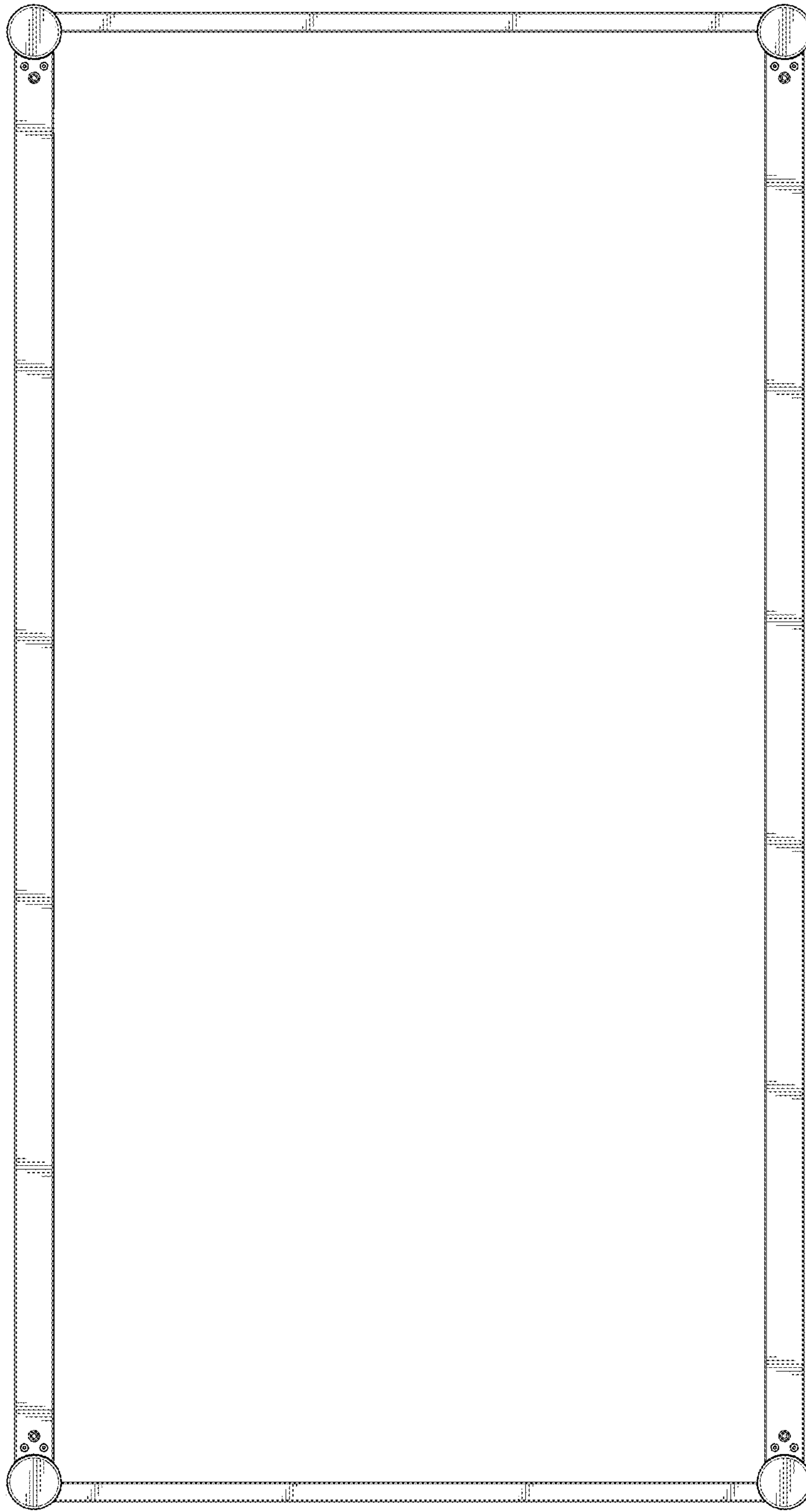
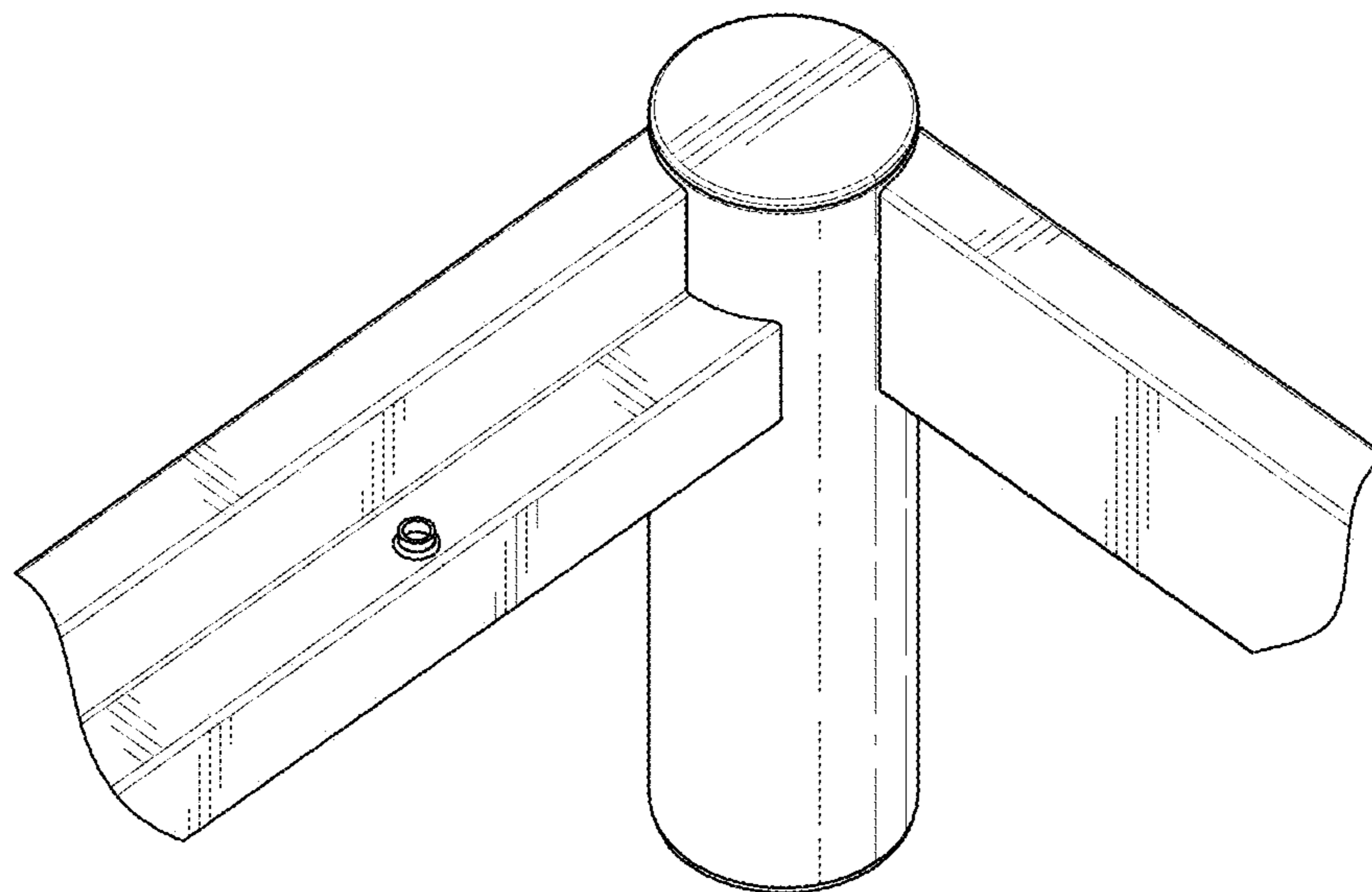
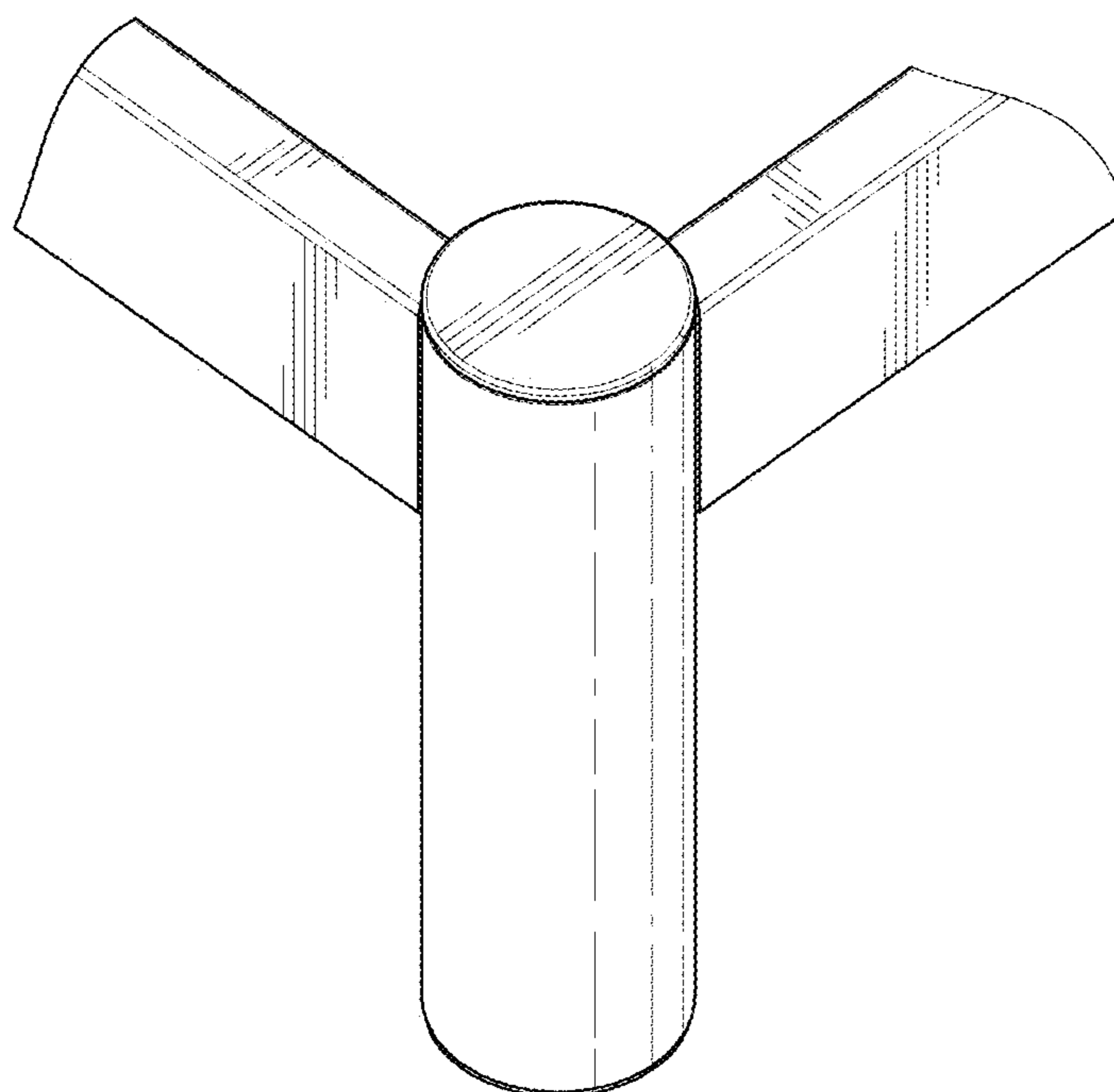


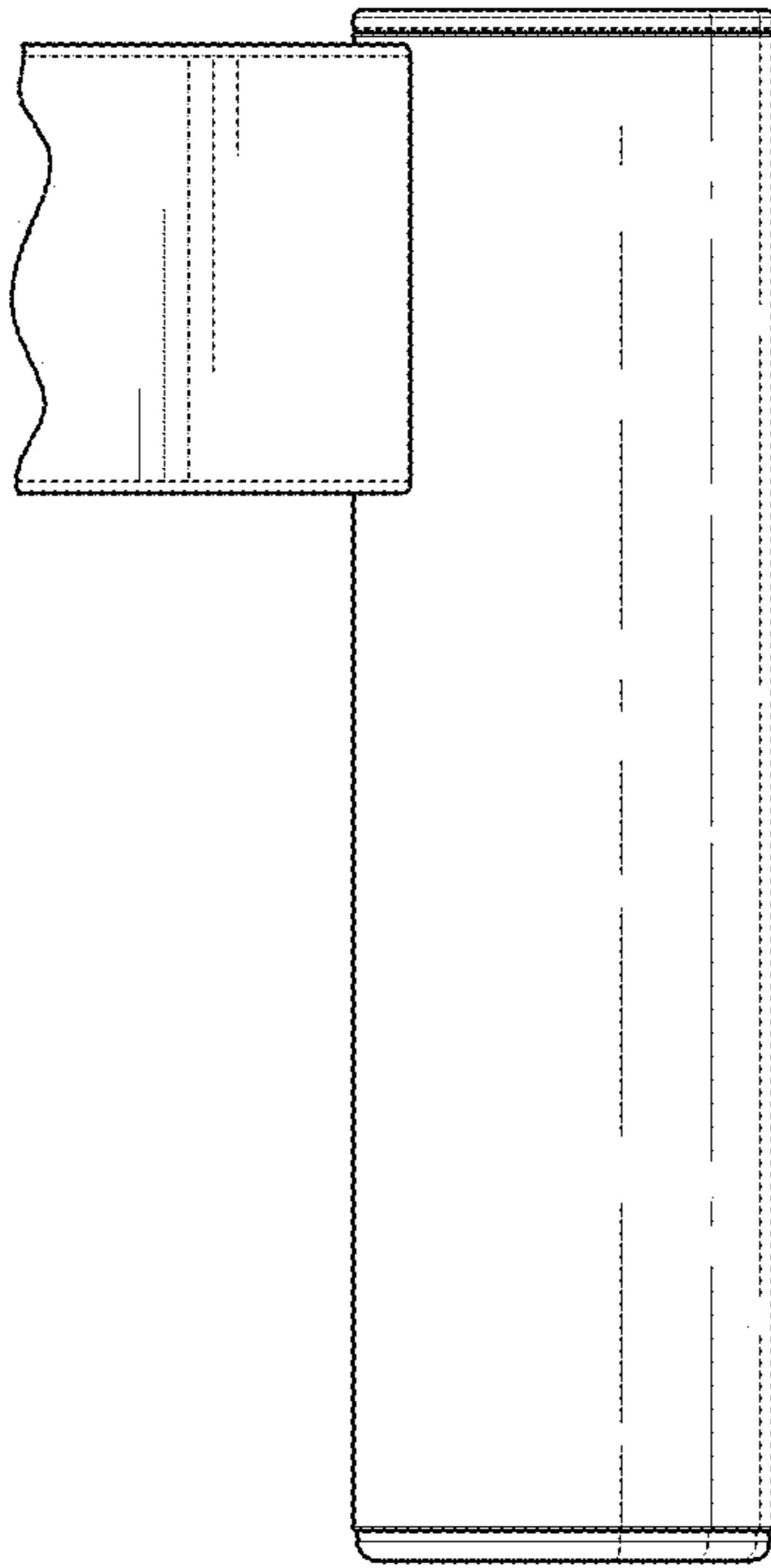
FIG. 19



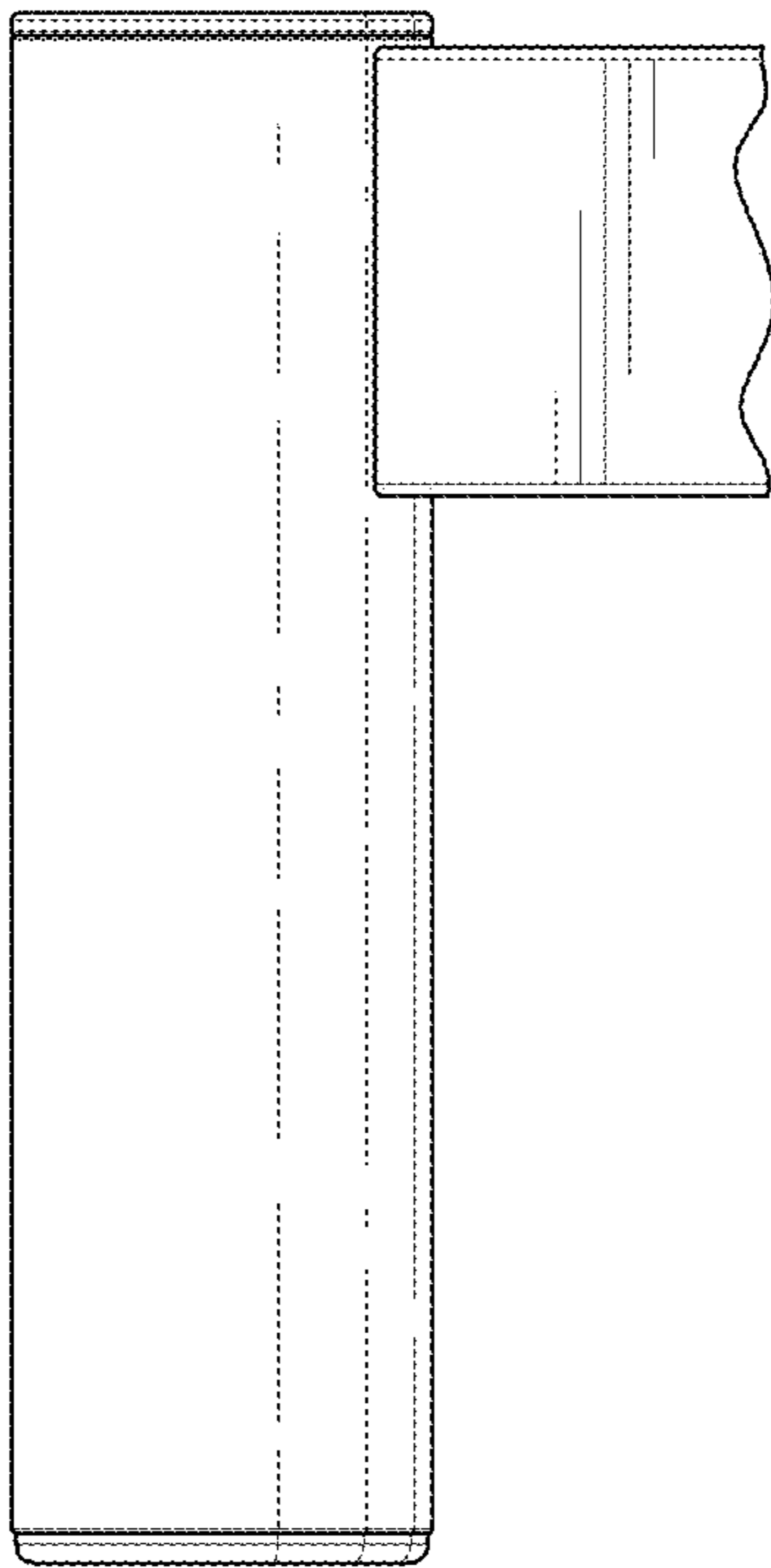
*FIG. 20*



*FIG. 21*



*FIG. 22*



*FIG. 23*