



US00D904783S

(12) **United States Design Patent** (10) **Patent No.:** **US D904,783 S**  
**Archer** (45) **Date of Patent:** **\*\* Dec. 15, 2020**

(54) **CHAIR**  
(71) Applicant: **Fielding Archer**, Midlothian, VA (US)  
(72) Inventor: **Fielding Archer**, Midlothian, VA (US)  
(\*\*) Term: **15 Years**

(21) Appl. No.: **29/677,300**  
(22) Filed: **Jan. 18, 2019**  
(51) **LOC (12) Cl.** ..... **06-01**  
(52) **U.S. Cl.**  
USPC ..... **D6/377; D6/381**

(58) **Field of Classification Search**  
USPC ..... D6/329, 334, 358-366, 367-376,  
D6/377-383, 353, 335-340, 352,  
D6/392-395, 710-712, 716, 716.1, 716.2,  
D6/716.3; 297/440.1, 440.21, 452.14  
CPC .. A47C 11/00; A47C 4/02; A47C 4/03; A47C  
4/08; A47C 4/024; A47C 4/025; A47C  
4/028; A47C 5/04; A47C 7/16; A47C  
5/12; A47C 7/36; A47C 7/40; A47C  
9/007; A47C 13/023; A47C 5/08; A47C  
17/175; A47C 13/005; A47C 11/005;  
A47C 4/021; F16B 5/0012; A47B  
47/0075; A47B 3/06  
See application file for complete search history.

(56) **References Cited**

**U.S. PATENT DOCUMENTS**

2,334,912 A \* 11/1943 Eide ..... A47B 47/042  
108/27  
D166,660 S \* 5/1952 Curtis ..... D6/373  
2,632,498 A 3/1953 Curtis  
3,467,433 A \* 9/1969 Lindekrantz ..... A47C 4/021  
297/440.13  
D226,888 S \* 5/1973 Gilbert et al. .... D6/371  
D234,732 S \* 4/1975 Abson ..... D6/374  
3,885,845 A 5/1975 Krieks  
4,140,065 A \* 2/1979 Chacon ..... A47C 4/021  
108/156

5,263,766 A \* 11/1993 McCullough ..... A47C 4/021  
297/440.13  
D360,534 S \* 7/1995 Gempton ..... D6/334  
5,738,414 A 4/1998 Wieland et al.  
5,992,938 A 11/1999 Jones  
D493,971 S \* 8/2004 Willy ..... D6/368  
D602,270 S \* 10/2009 Castro, Jr. .... D6/348  
(Continued)

**FOREIGN PATENT DOCUMENTS**

BR 2016-170224 \* 11/2015 ..... A47C 4/00  
BX 34305 \* 3/2002  
(Continued)

**OTHER PUBLICATIONS**

Envilu, Bauchair-Modular Chair by Seetti, [online]retrieved Jun. 4,  
2020, available from the internet, <https://www.envilu.com/bauchair-modular-chair-by-seletti/> (Year: 2020).\*  
(Continued)

*Primary Examiner* — Keli L Hill  
*Assistant Examiner* — Sara S Sahneh  
(74) *Attorney, Agent, or Firm* — Bernard G. Pike; Pike IP  
Law, PLLC

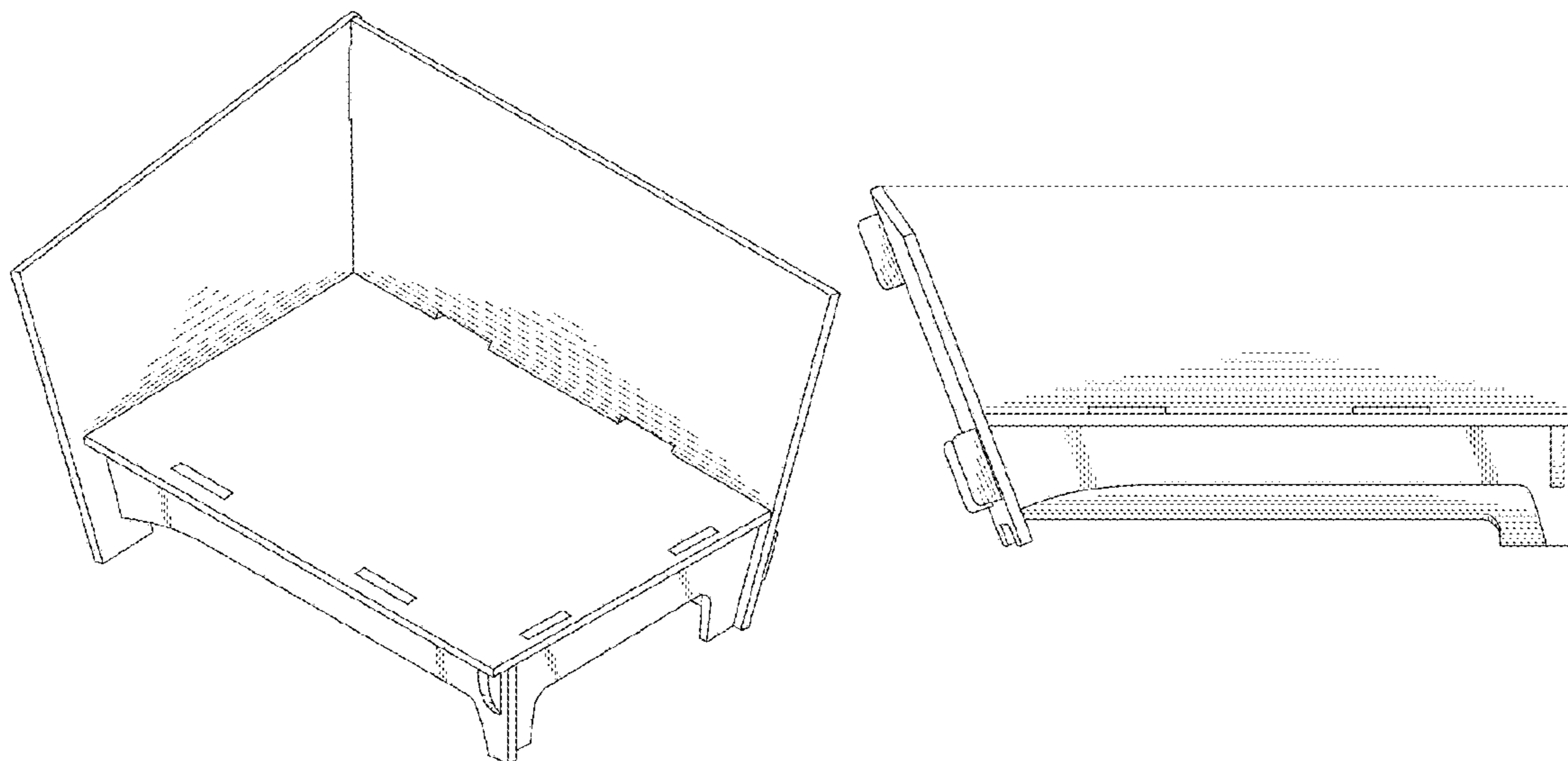
(57) **CLAIM**

The ornamental design for a chair, as shown and described.

**DESCRIPTION**

FIG. 1 is a perspective view of a chair, embodying my new design;  
FIG. 2 is a top elevation view thereof;  
FIG. 3 is a bottom plan view thereof;  
FIG. 4 is a front elevation view thereof;  
FIG. 5 is a rear elevation view thereof;  
FIG. 6 is a left side elevation view thereof; and,  
FIG. 7 is a right side elevation view thereof.

**1 Claim, 4 Drawing Sheets**



(56)

**References Cited**

U.S. PATENT DOCUMENTS

9,770,108	B2	9/2017	Blair	
2003/0107254	A1	6/2003	Willy	
2003/0107255	A1*	6/2003	Willy	..... A47C 5/14 297/440.13
2005/0006943	A1*	1/2005	Wieland	..... A47C 4/03 297/440.13
2008/0231089	A1	9/2008	LaPointe et al.	

FOREIGN PATENT DOCUMENTS

CH	129251-0020	*	1/2003	
GB	4006098	*	2/2008	
WO	2008-C63231	*	7/2007	..... A47C 4/02

OTHER PUBLICATIONS

Envilu, Chair by Seetti, Date first available Nov. 6, 2015, [online]retrieved Jun. 4, 2020, available from the internet, <https://www.instagram.com/envilu/> (Year: 2015).\*

\* cited by examiner

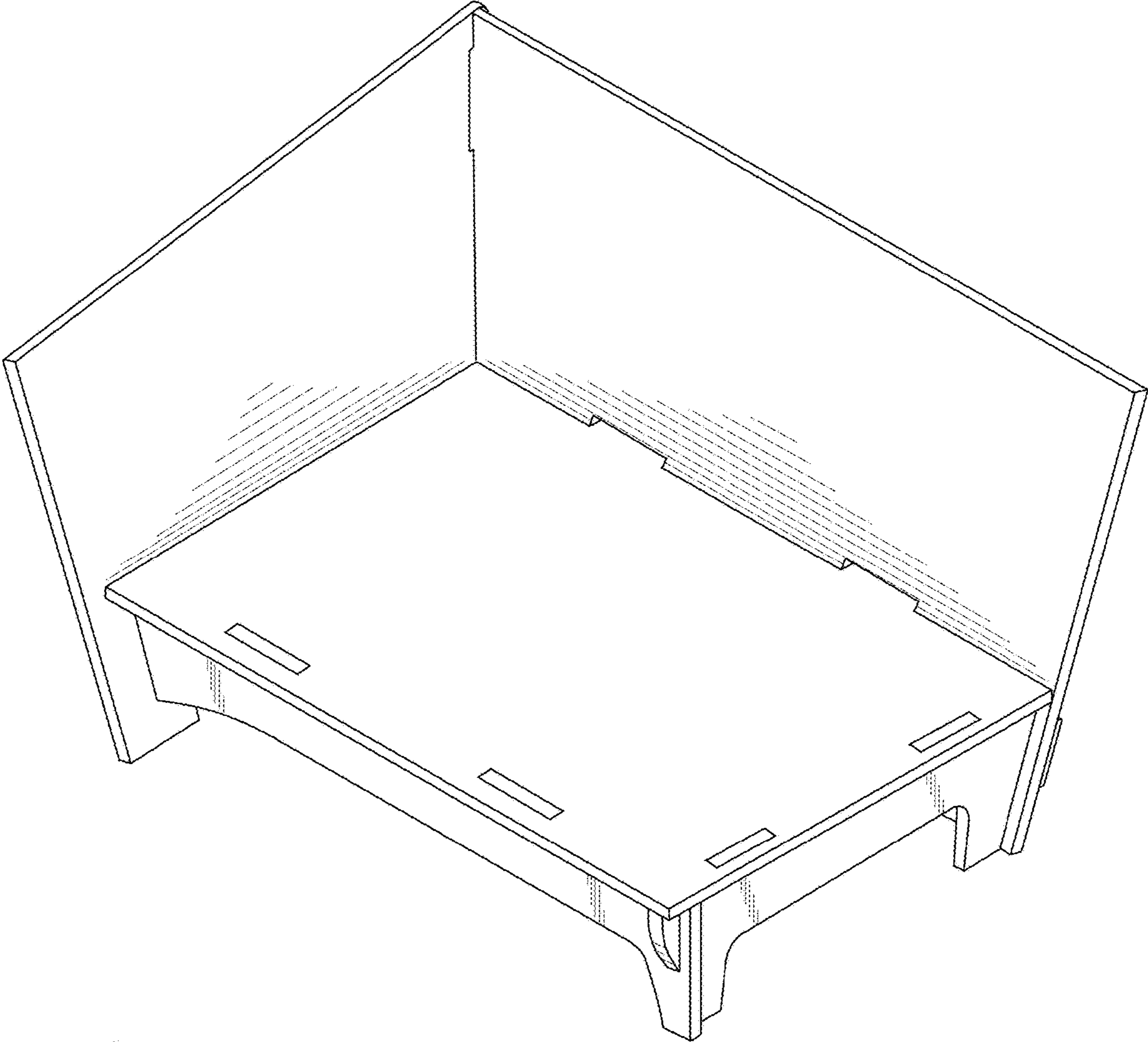


FIG. 1

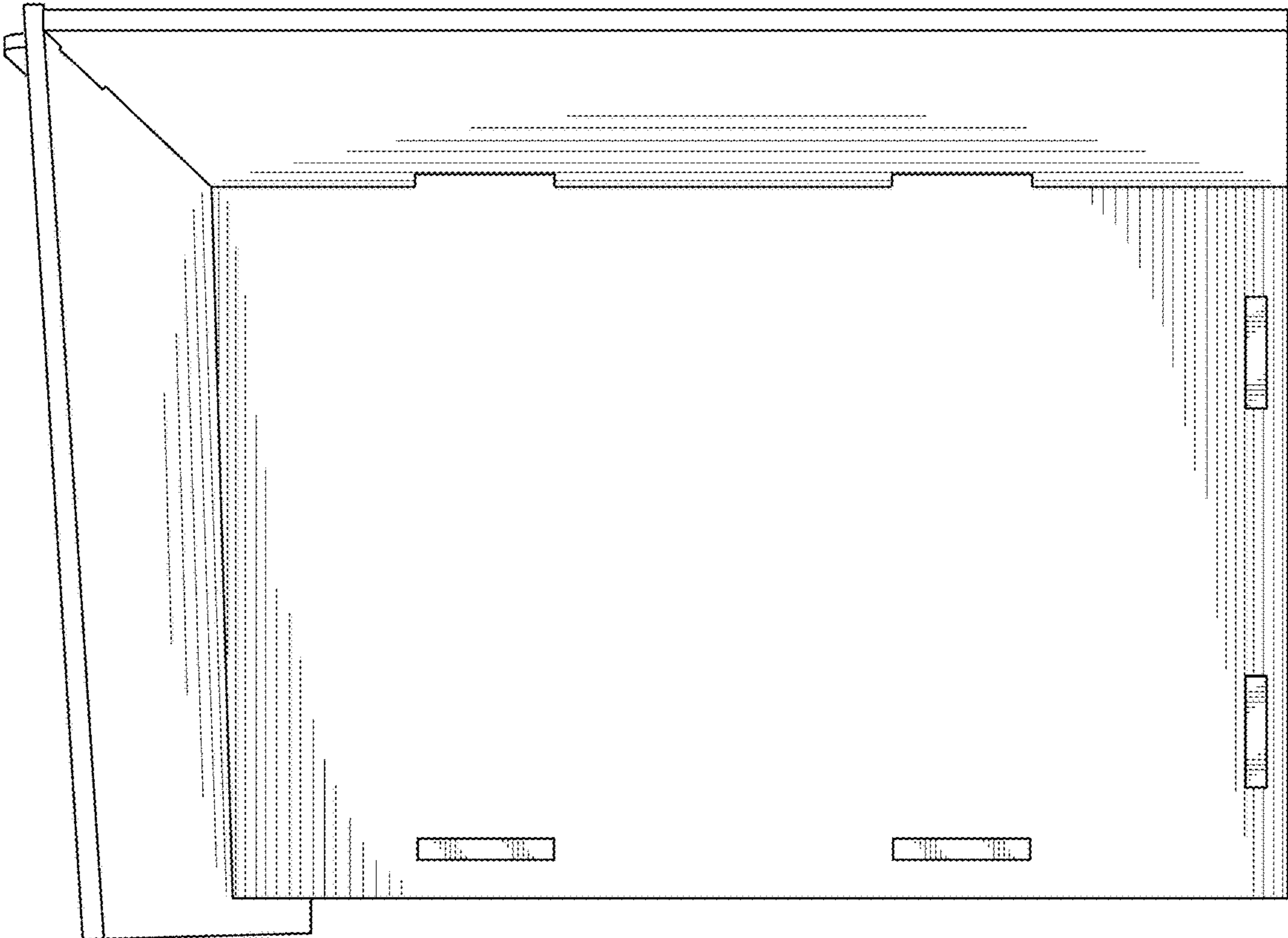


FIG. 2

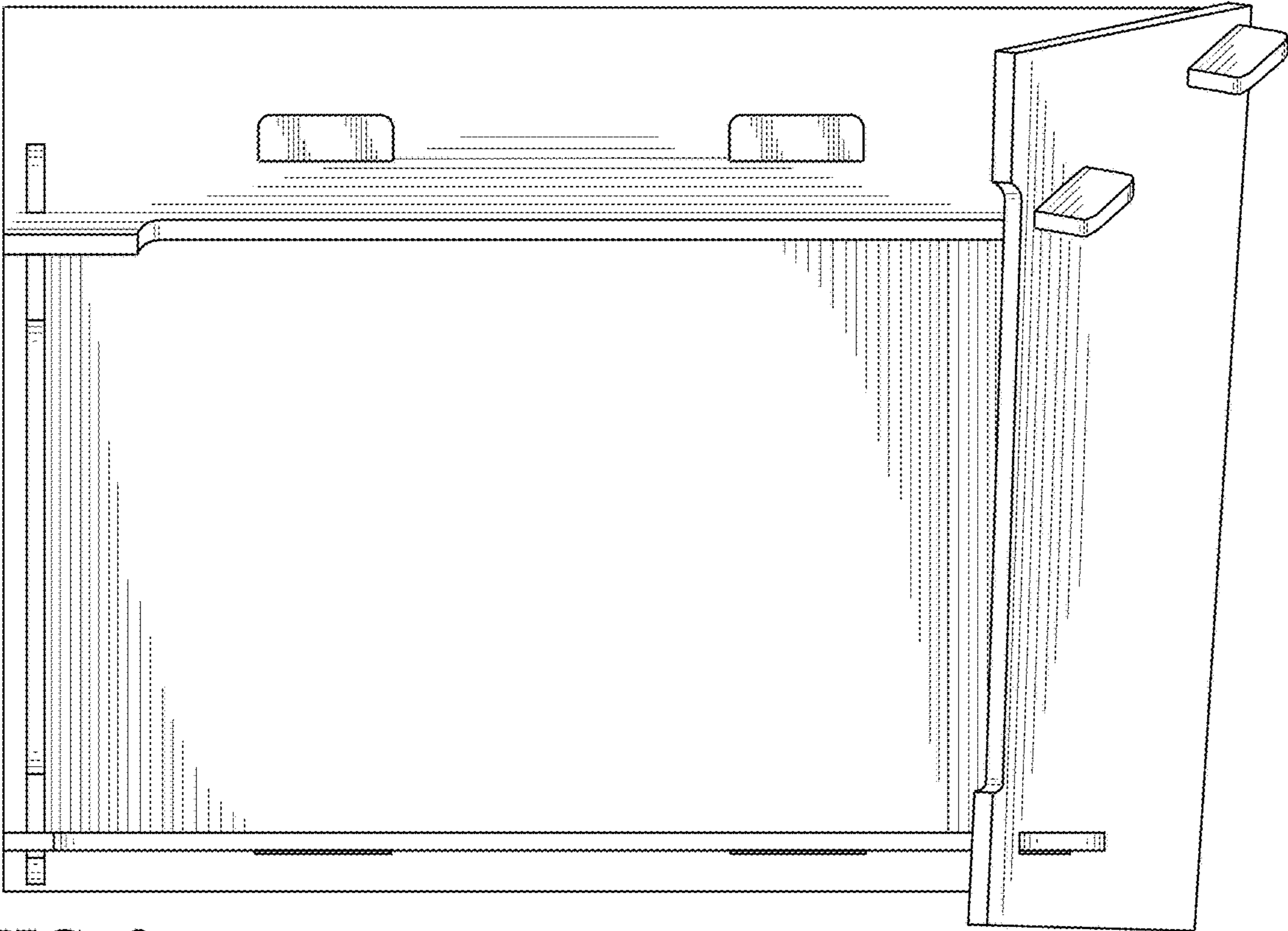


FIG. 3

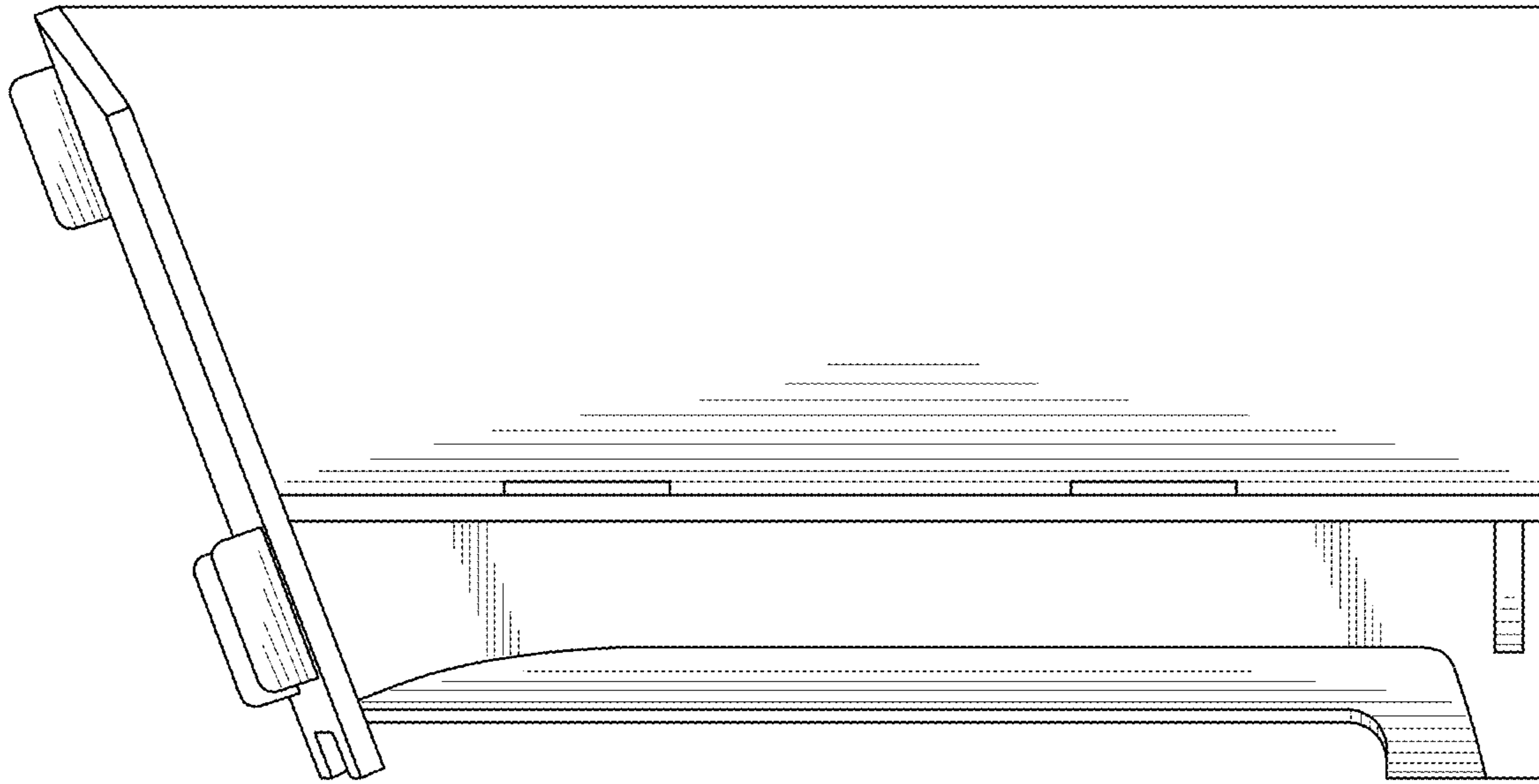


FIG. 4

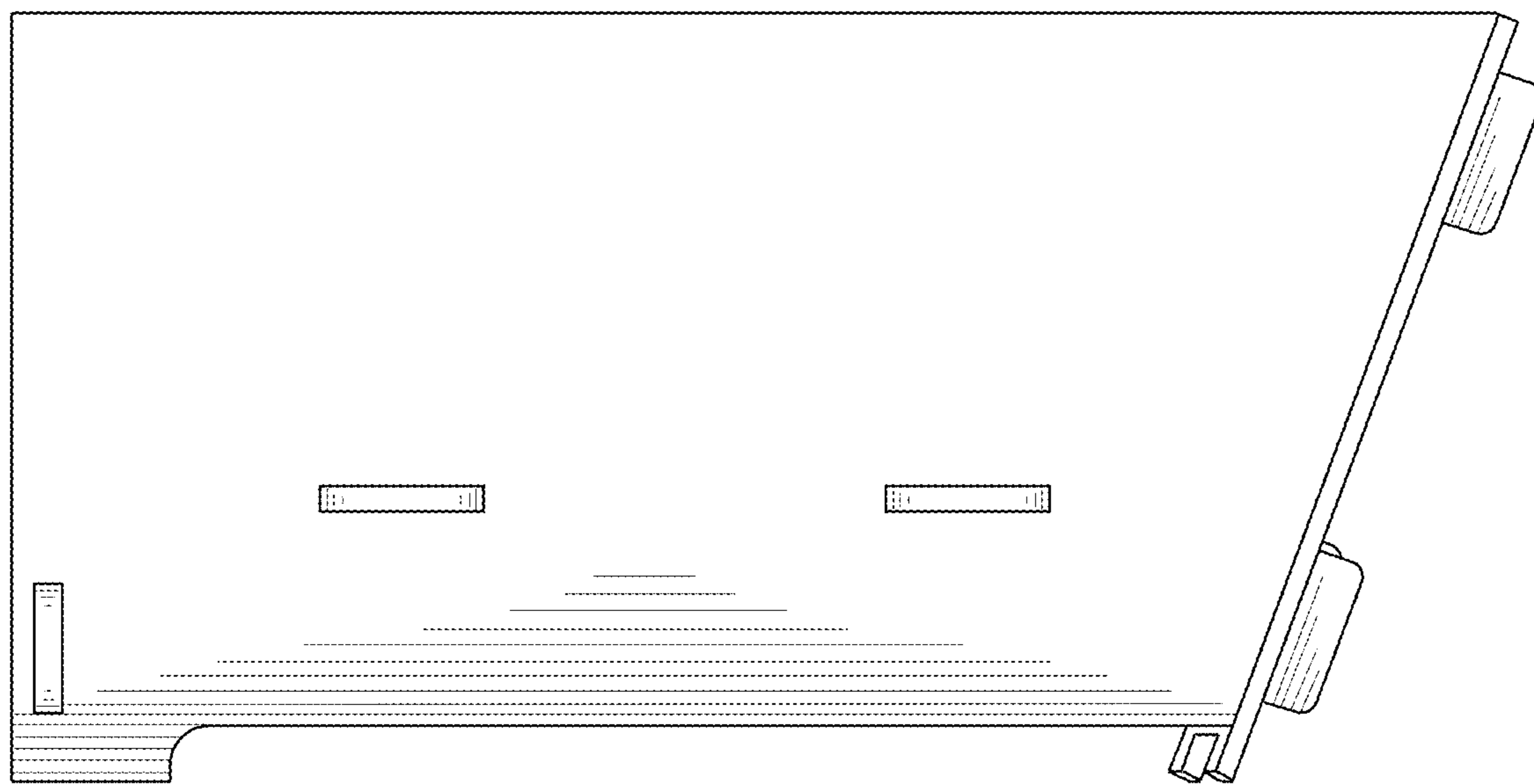


FIG. 5

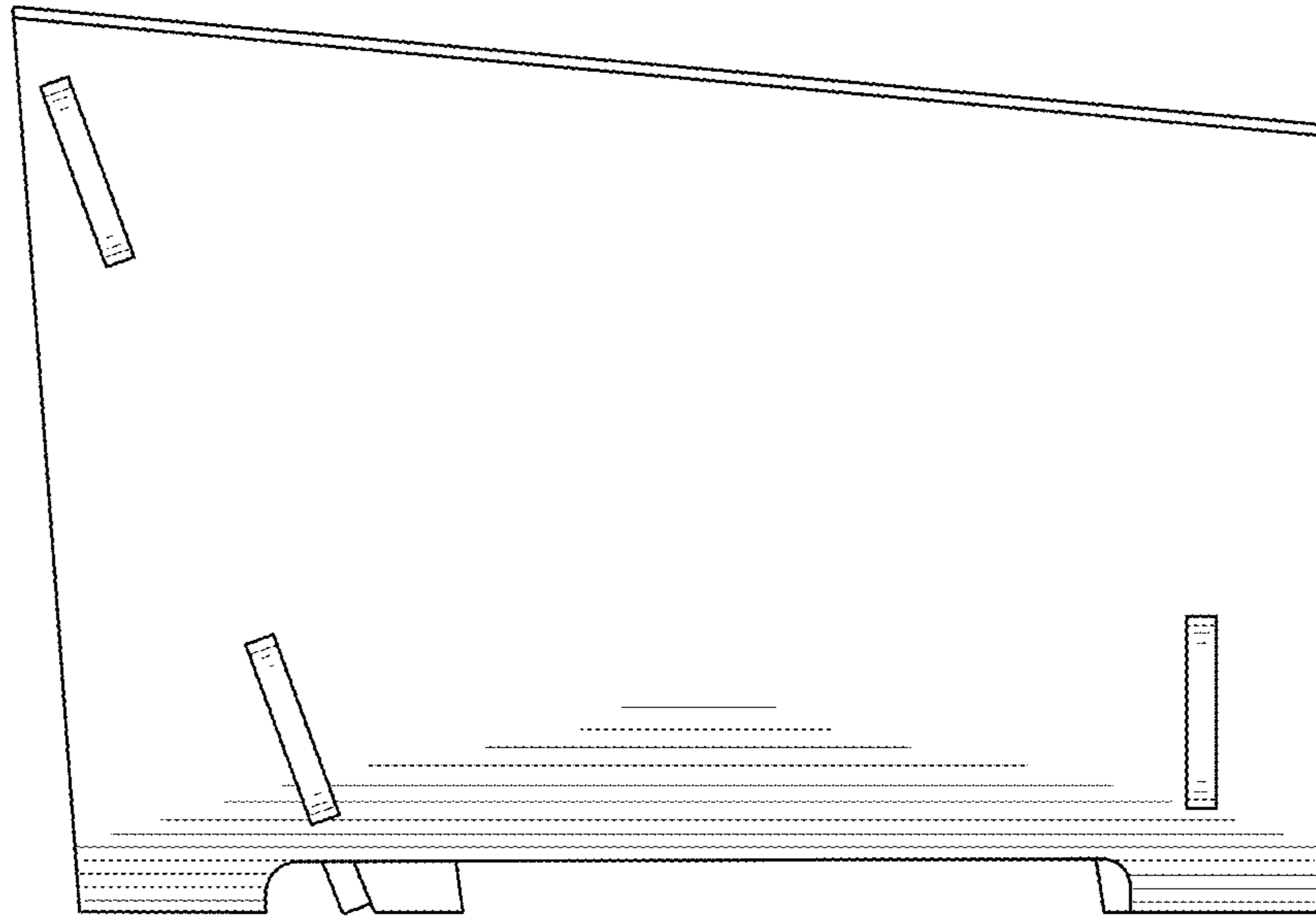


FIG. 6

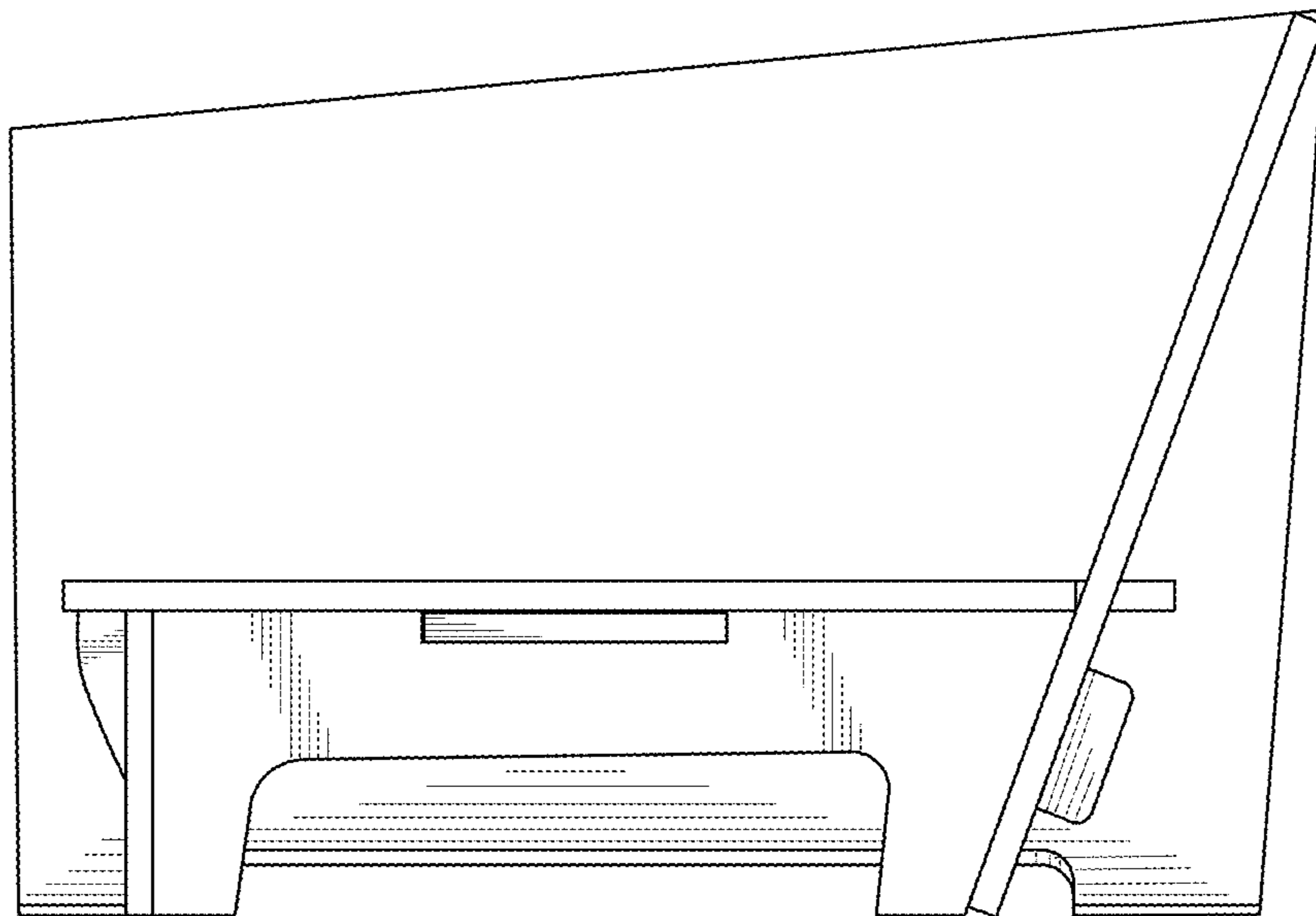


FIG. 7