



US00D904782S

(12) **United States Design Patent**
Schweikarth

(10) **Patent No.:** **US D904,782 S**

(45) **Date of Patent:** **** Dec. 15, 2020**

(54) **CHAIR**

(71) Applicant: **Kimball International, Inc.**, Jasper, IN (US)

(72) Inventor: **Derek Schweikarth**, Celestine, IN (US)

(73) Assignee: **Kimball International, Inc.**, Jasper, IN (US)

(**) Term: **15 Years**

(21) Appl. No.: **29/738,768**

(22) Filed: **Jun. 19, 2020**

Related U.S. Application Data

(62) Division of application No. 29/692,405, filed on May 24, 2019.

(51) **LOC (12) Cl.** **06-01**

(52) **U.S. Cl.**
USPC **D6/374**

(58) **Field of Classification Search**

USPC D6/334, 349, 350, 360, 362, 364, 367, D6/368, 374, 375, 379, 380, 716.2, 716.7
CPC A47C 1/00; A47C 1/02; A47C 1/03; A47C 1/024; A47C 1/037; A47C 3/00; A47C 3/20; A47C 7/50; A47C 7/54; A47C 4/28; A47C 9/007; A47C 16/02

See application file for complete search history.

(56) **References Cited**

U.S. PATENT DOCUMENTS

D591,969 S * 5/2009 Overthun D6/380
D593,336 S * 6/2009 Ciani D6/374

D604,519 S * 11/2009 Beckley D6/334
D615,782 S * 5/2010 Beckley D6/717
D629,226 S * 12/2010 Thorfinnson D6/379
D666,842 S * 9/2012 Cramer D6/379
D686,004 S * 7/2013 Schweikarth D6/334
D696,525 S * 12/2013 Fernandes D6/379
D878,838 S * 3/2020 Urquiola D6/716

* cited by examiner

Primary Examiner — Rashida M Johnson

(74) *Attorney, Agent, or Firm* — Faegre Drinker Biddle & Reath LLP

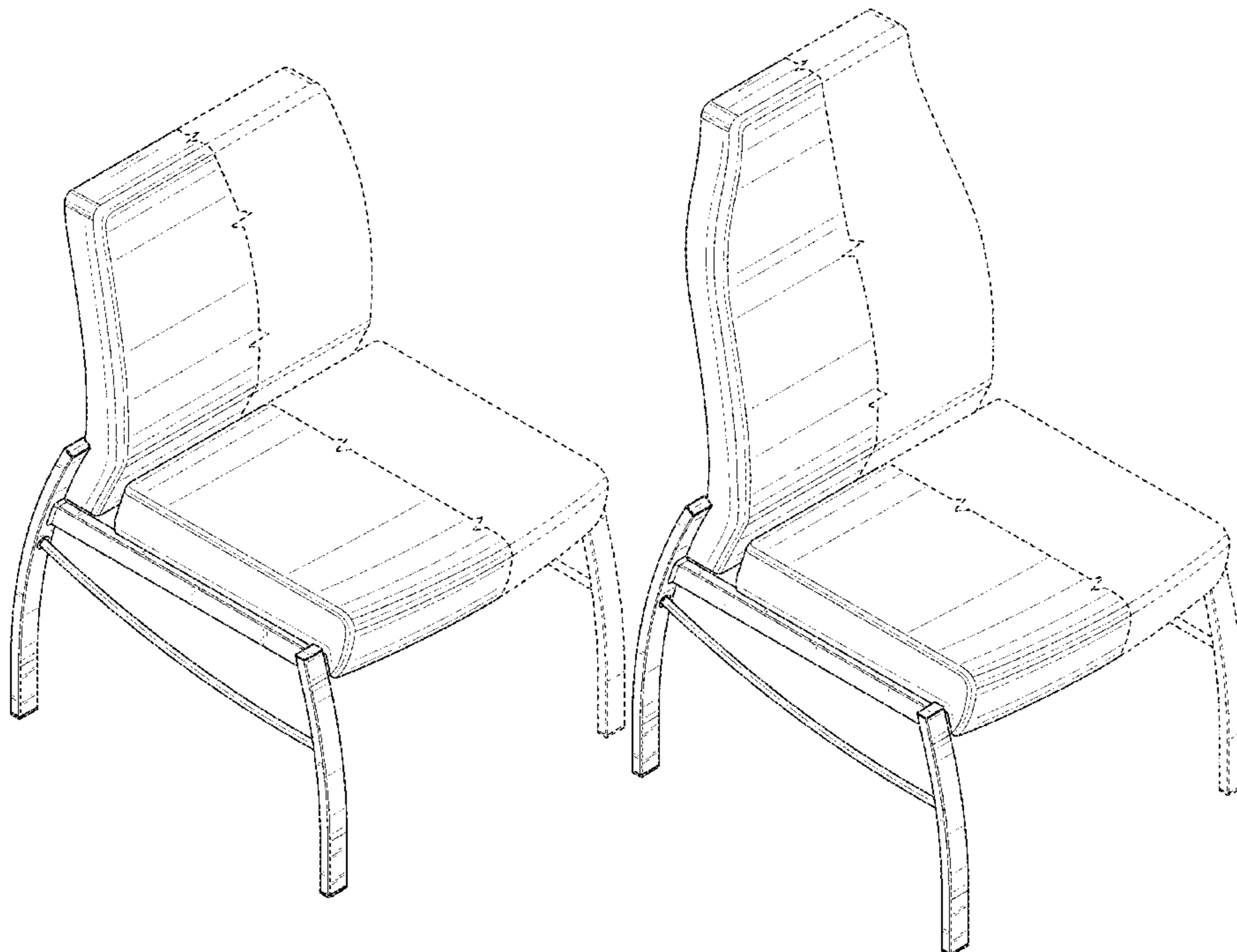
(57) **CLAIM**

The ornamental design for a chair, as shown and described.

DESCRIPTION

FIG. 1 is a front perspective view of a chair, showing the first embodiment of my new design;
FIG. 2 is a front view thereof;
FIG. 3 is a rear view thereof;
FIG. 4 is a left side view thereof; and
FIG. 5 is a top view thereof.
FIG. 6 is a front perspective view of a chair according to the second embodiment of the design;
FIG. 7 is a front view thereof;
FIG. 8 is a rear view thereof;
FIG. 9 is a left side view thereof; and,
FIG. 10 is a top view thereof.
Features shown in broken lines form no part of the claimed design.

1 Claim, 10 Drawing Sheets



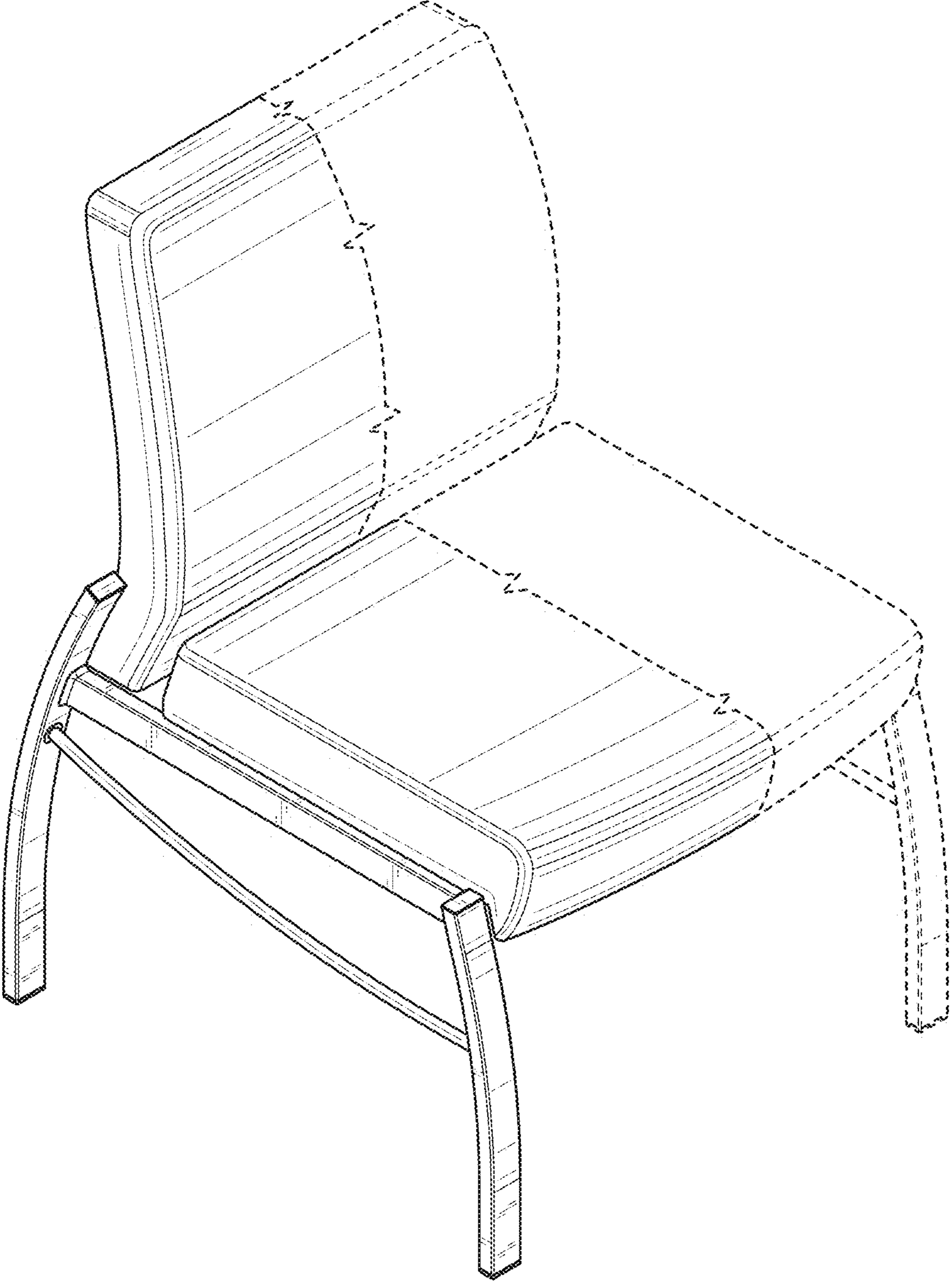


FIG. 1

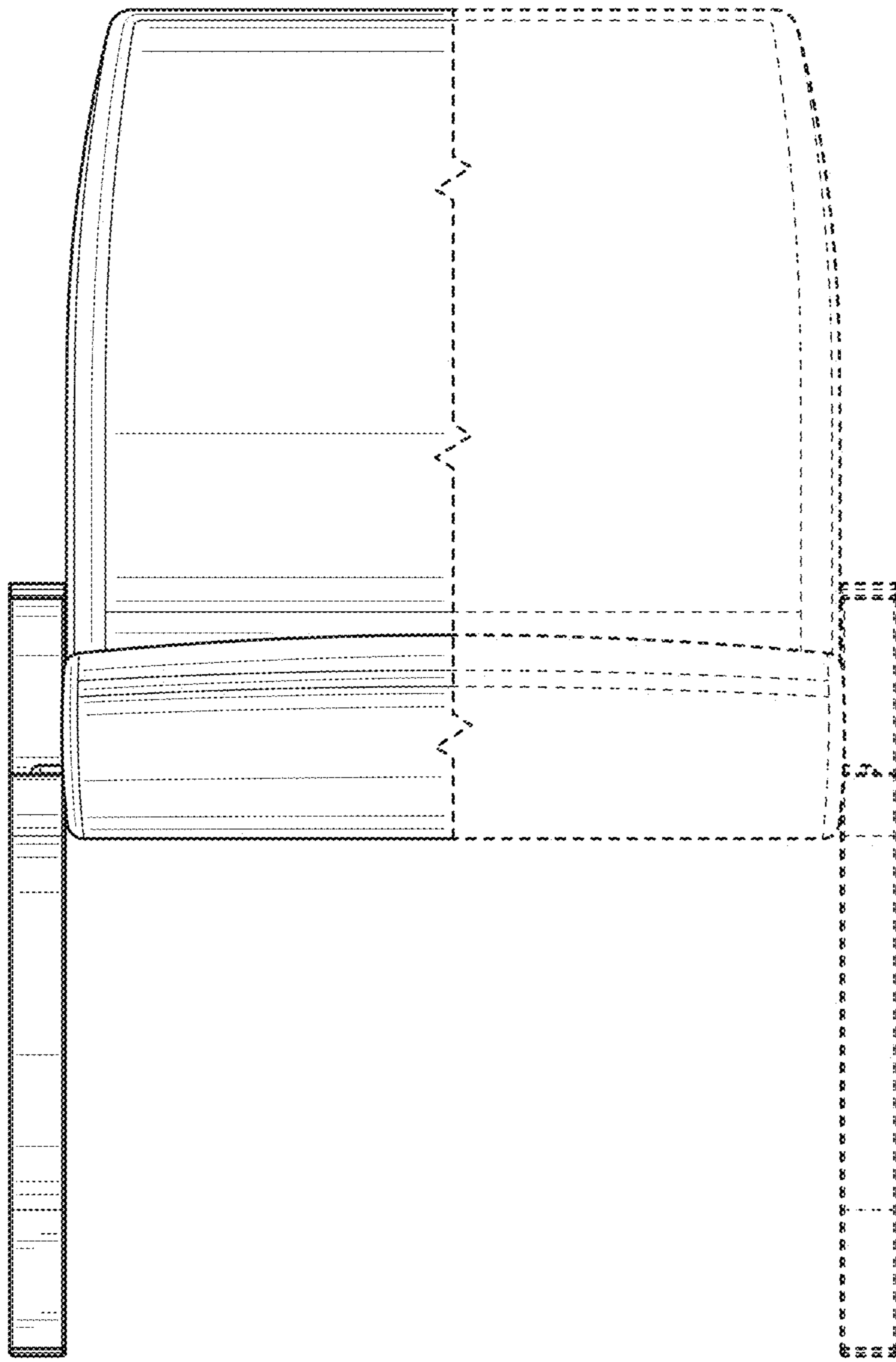


FIG. 2

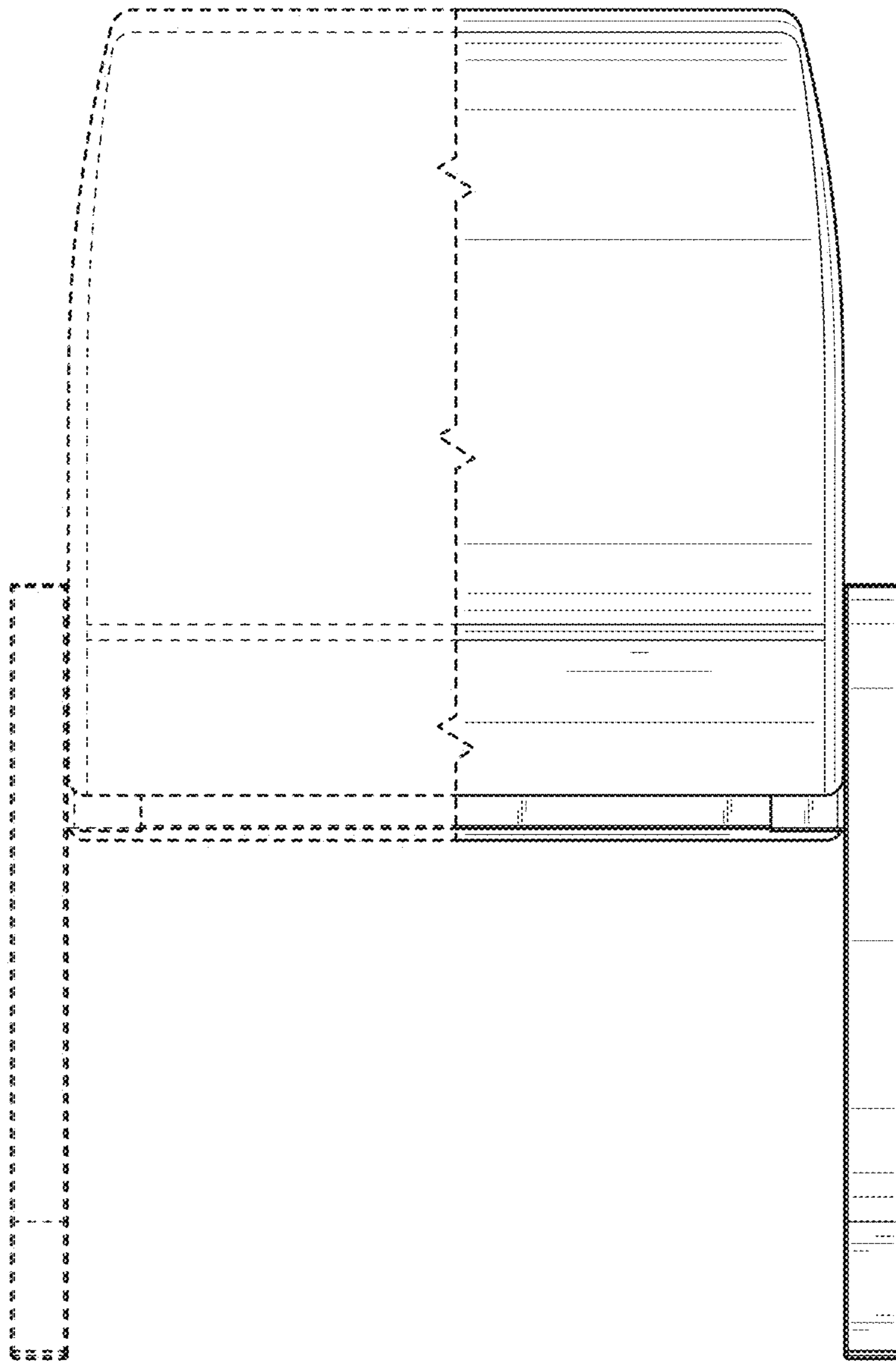


FIG. 3

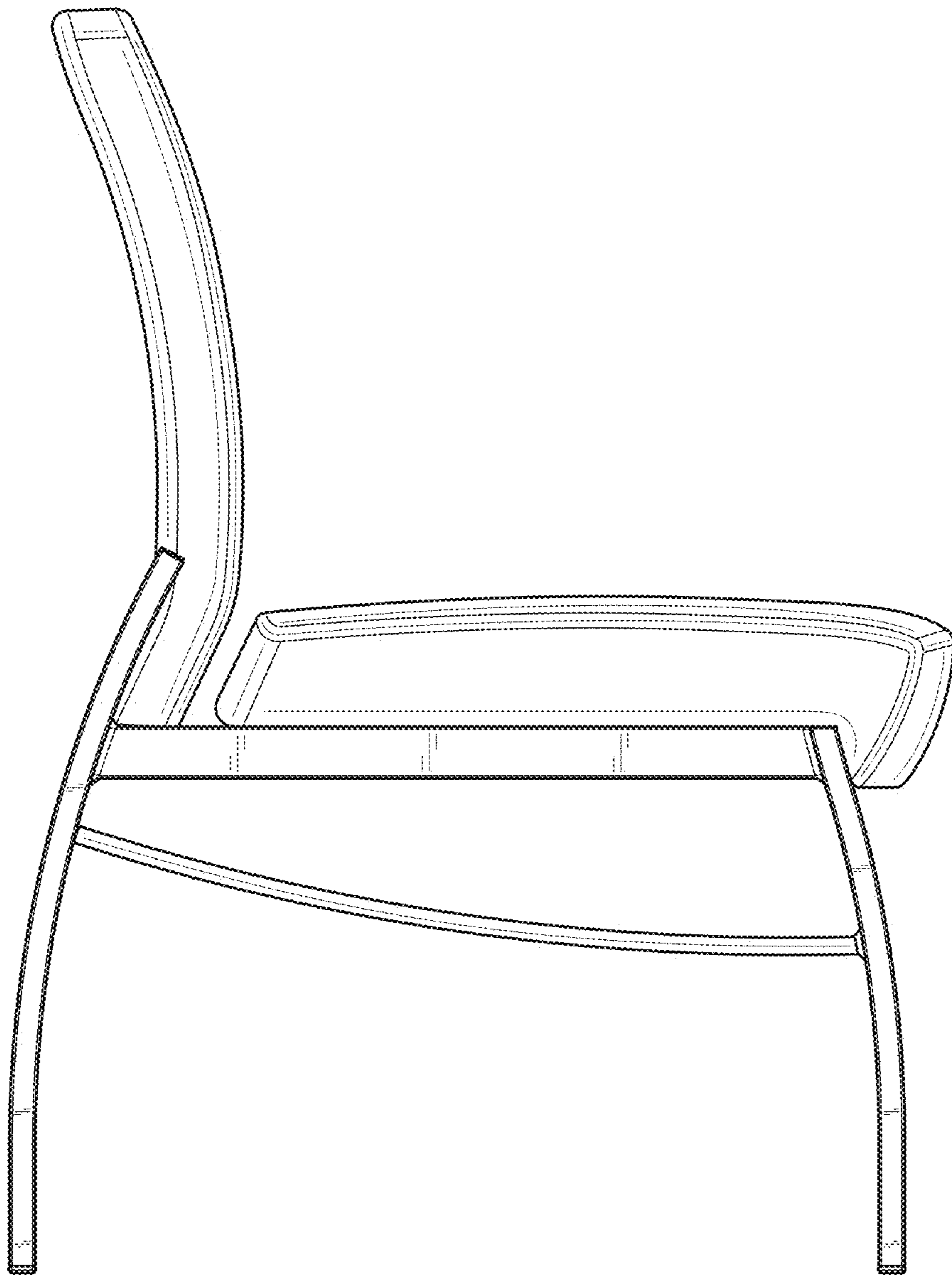


FIG. 4

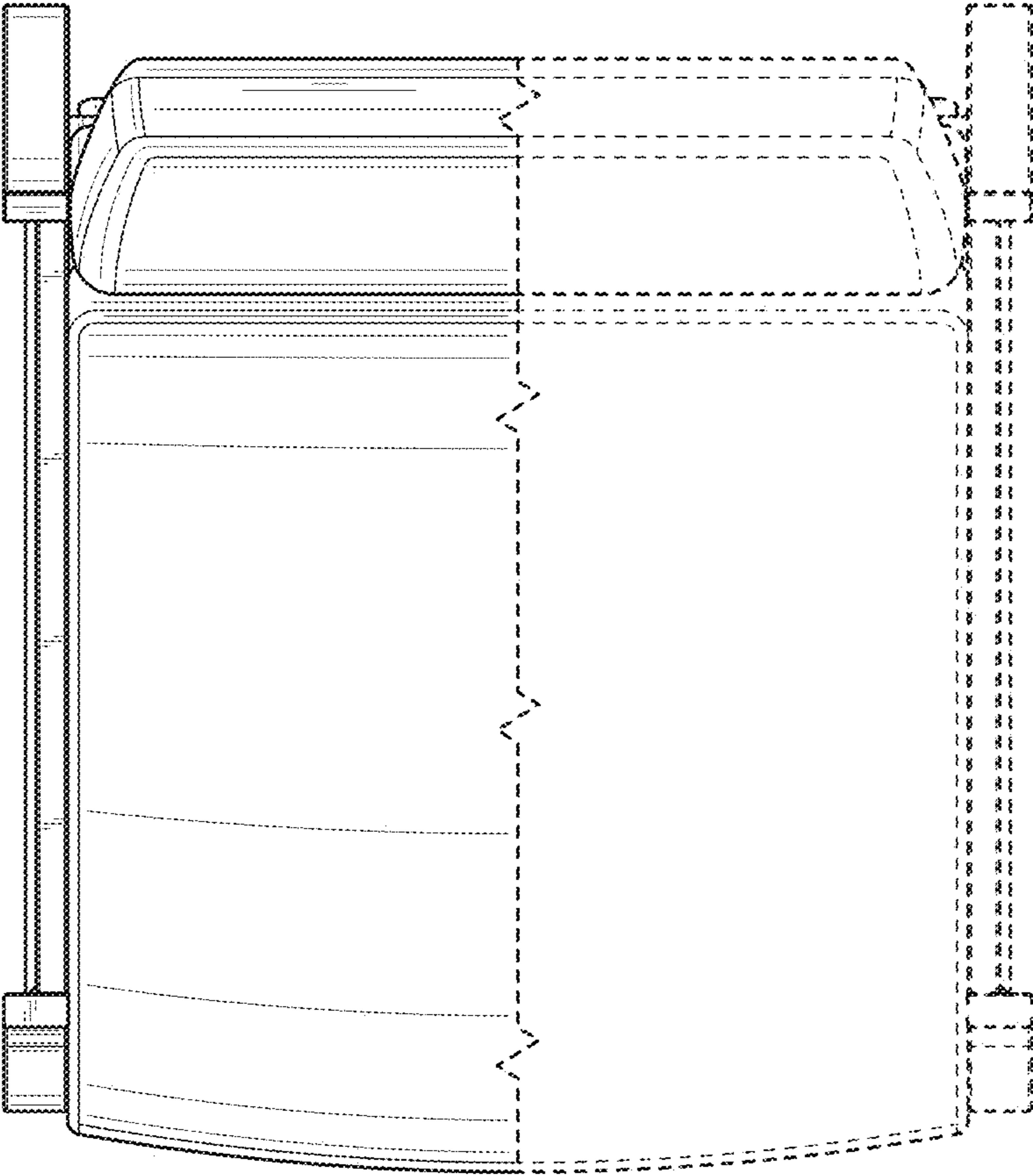


FIG. 5

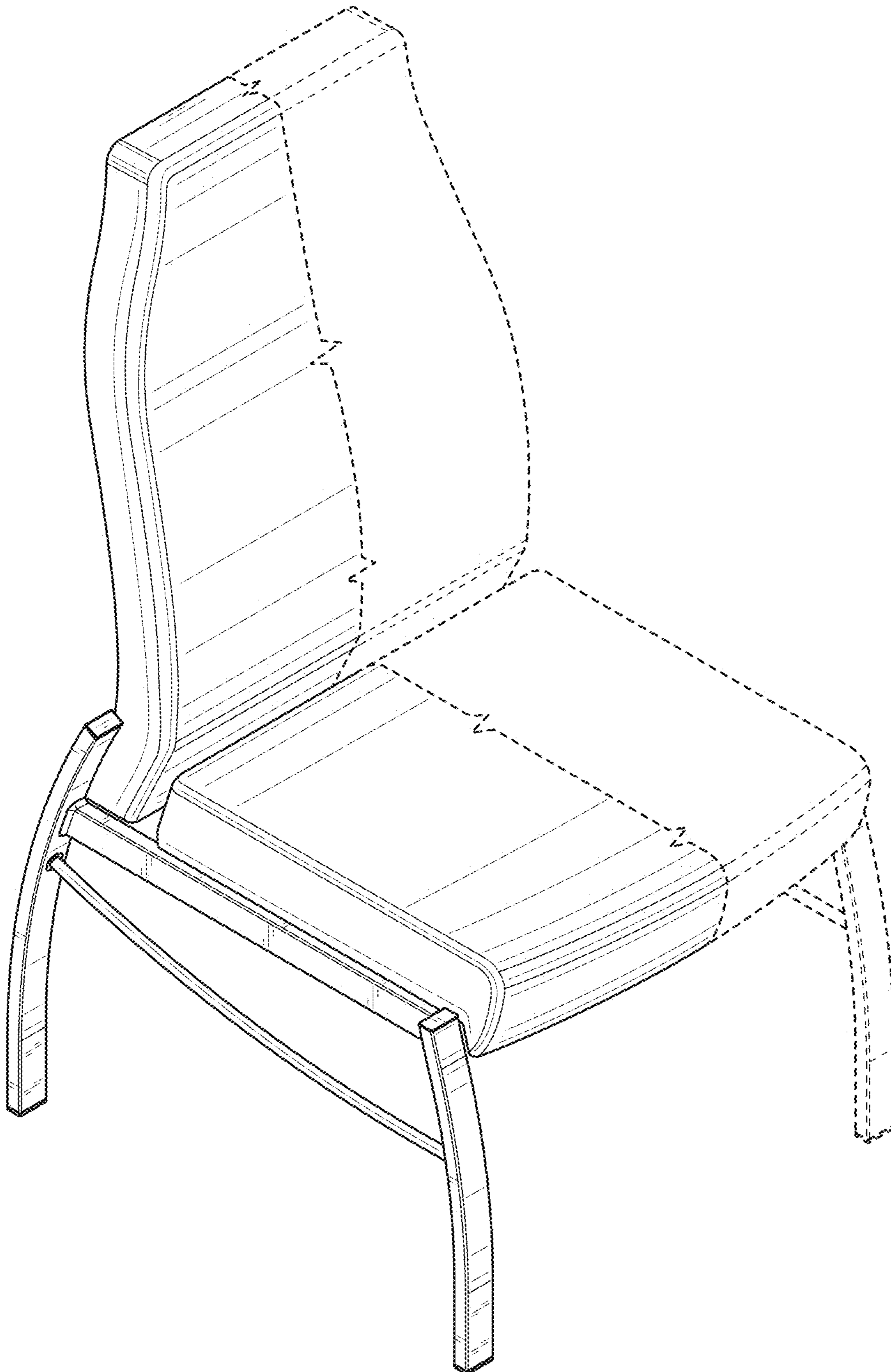


FIG. 6

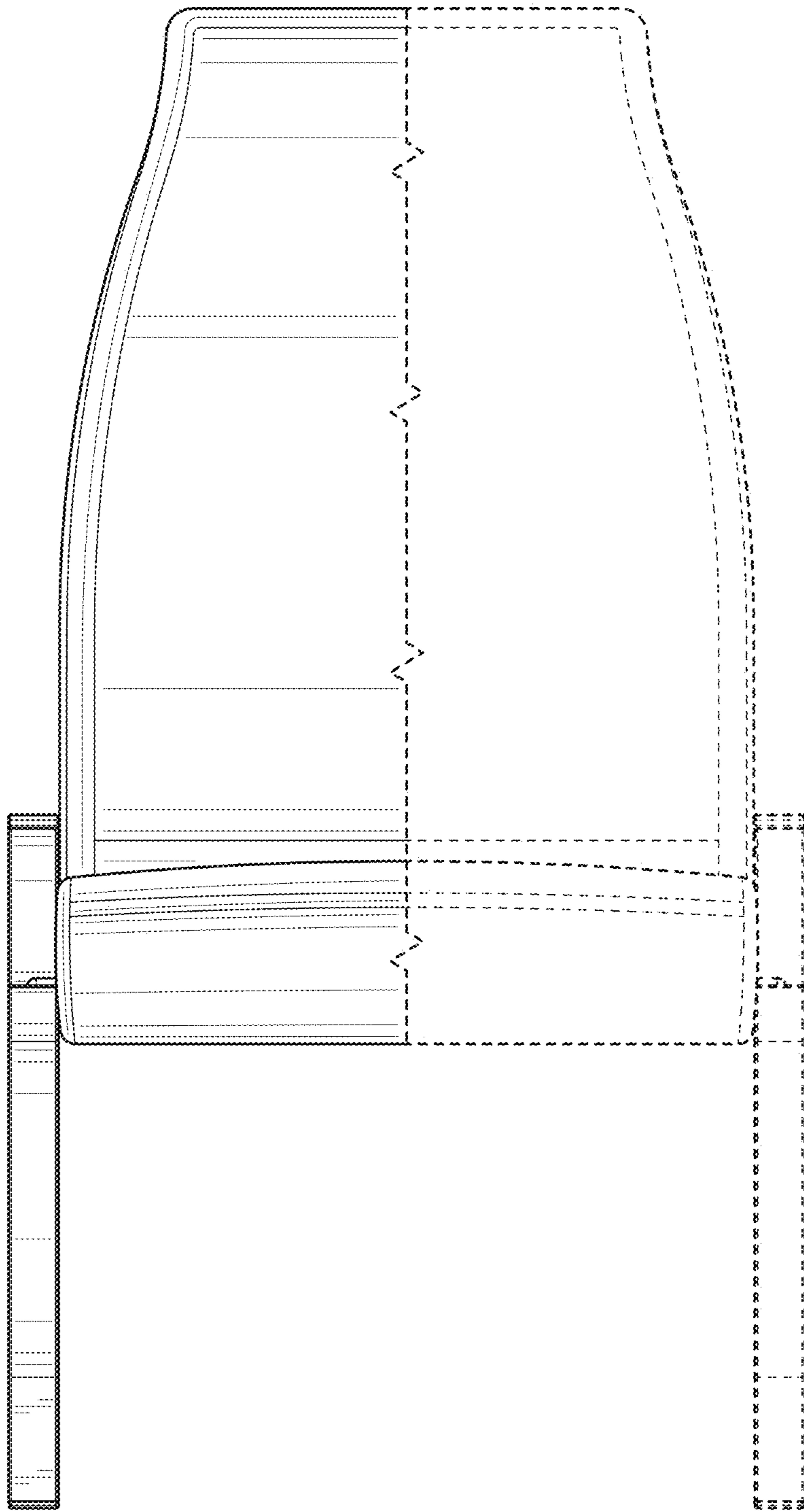


FIG. 7

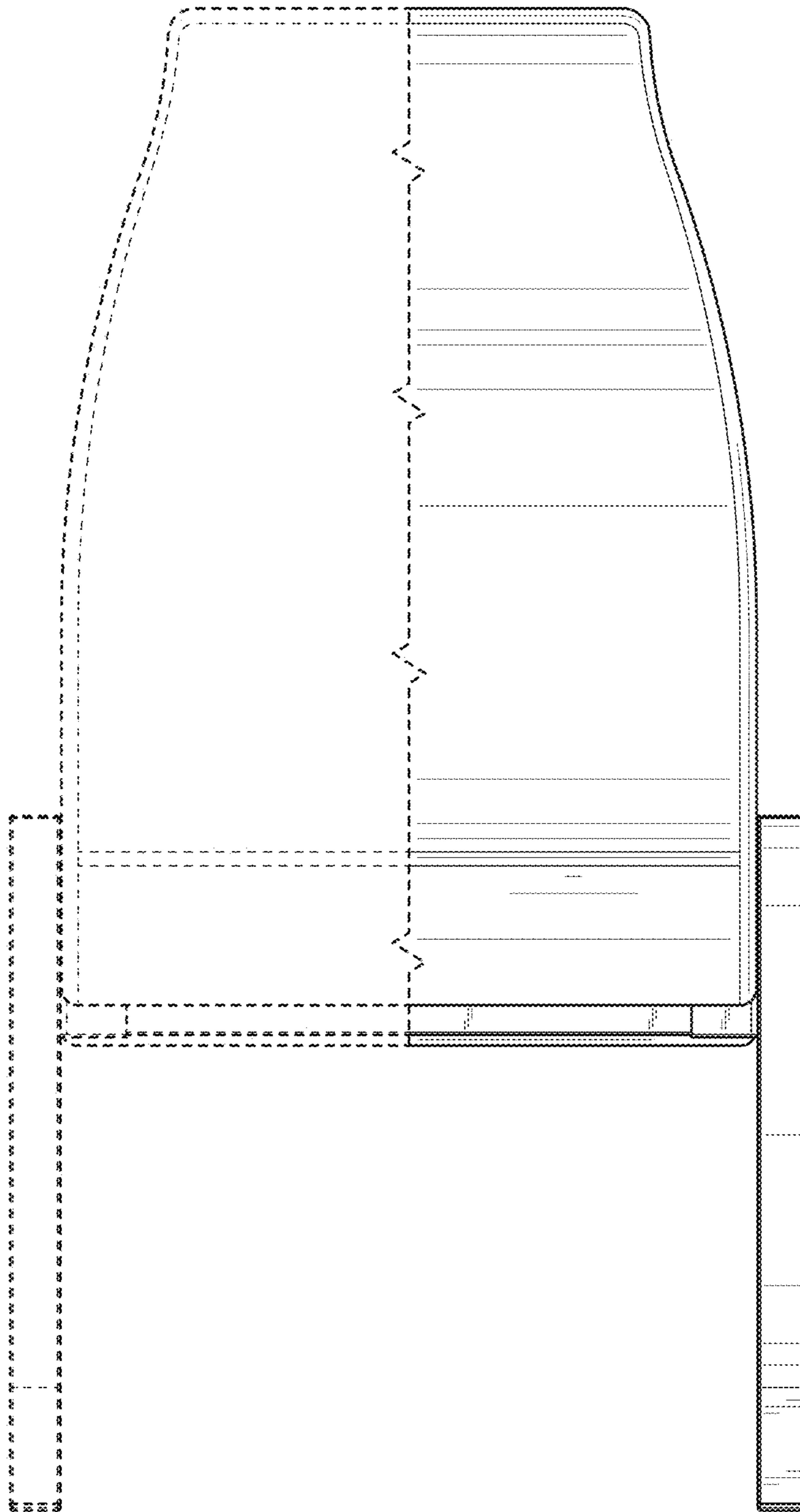


FIG. 8

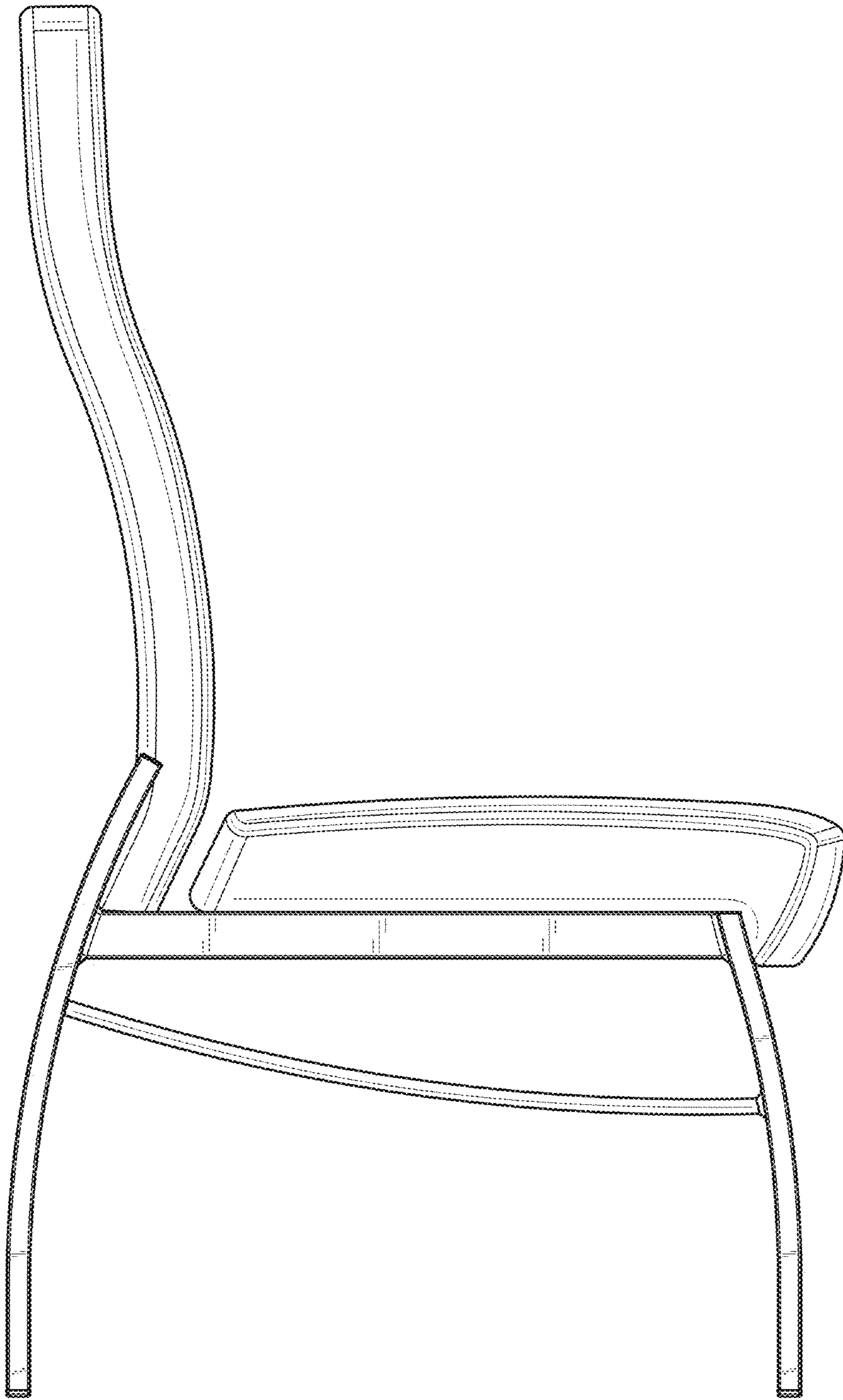


FIG. 9

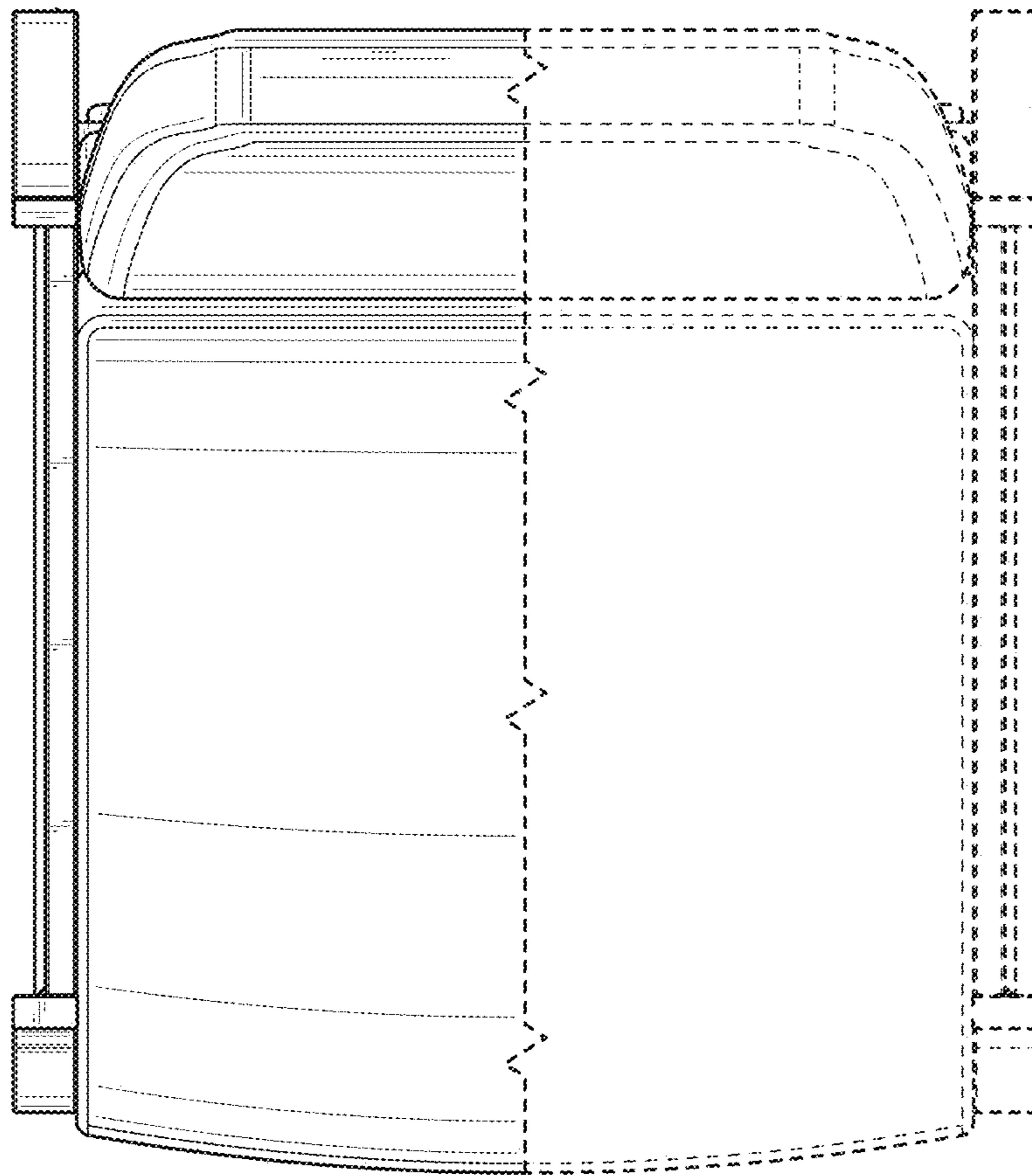


FIG. 10