



US00D904781S

(12) **United States Design Patent**
Rubio

(10) **Patent No.:** **US D904,781 S**

(45) **Date of Patent:** **** Dec. 15, 2020**

(54) **LOUNGE CHAIR**

(71) Applicant: **LK Design, Inc.**, Paradise Valley, AZ
(US)

(72) Inventor: **Mario Ruiz Rubio**, Barcelona (ES)

(73) Assignee: **LK DESIGN, INC.**, Paradise Valley,
AZ (US)

(**) Term: **15 Years**

(21) Appl. No.: **29/682,350**

(22) Filed: **Mar. 4, 2019**

(51) **LOC (12) Cl.** **06-01**

(52) **U.S. Cl.**
USPC **D6/370; D6/380**

(58) **Field of Classification Search**

USPC D6/373, 374, 716, 369, 716.4, 360, 380,
D6/348, 334, 361, 364, 377, 677, 341,
D6/349, 350, 352, 353, 379, 381, 370,
D6/717, 358, 708.16, 336, 357, 362, 363,
D6/365, 366, 371, 375; 297/217.1, 440.1,
297/440.21, 452.14

CPC .. A47C 11/00; A47C 4/02; A47C 4/08; A47C
4/024; A47C 4/025; A47C 4/028; A47C
5/04; A47C 7/16; A47C 5/12; A47C 7/36;
A47C 7/40; A47C 9/007; A47C 13/023;
A47C 4/03; A47C 5/08; A47C 17/175;
A47C 13/005; A47C 11/005

See application file for complete search history.

(56) **References Cited**

U.S. PATENT DOCUMENTS

D239,580 S *	4/1976	Robertson et al.	D6/381
D243,427 S *	2/1977	Watts	D6/364
D244,070 S *	4/1977	Marks	D6/361
D244,078 S *	4/1977	Marks	D6/371
D255,731 S *	7/1980	Marks	D6/381
D255,740 S *	7/1980	Marks	D6/360
D259,600 S *	6/1981	Marks	D6/378
D259,605 S *	6/1981	Marks	D6/378

(Continued)

FOREIGN PATENT DOCUMENTS

CN	303221840	*	1/2014
WO	D073210-002	*	2/2010
WO	D073264-057	*	3/2010

OTHER PUBLICATIONS

Modway,Modway Upland Teak Wood Outdoor Patio Sofa with
Cushions in Natural White, Date first available Jul. 31, 2018,
[online] retrieved May 7, 2020, available from internet, www.
amazon.com (Year: 2018).*

(Continued)

Primary Examiner — Keli L Hill

Assistant Examiner — Sara S Sahneh

(74) *Attorney, Agent, or Firm* — Lewis Roca Rothgerber
Christie LLP

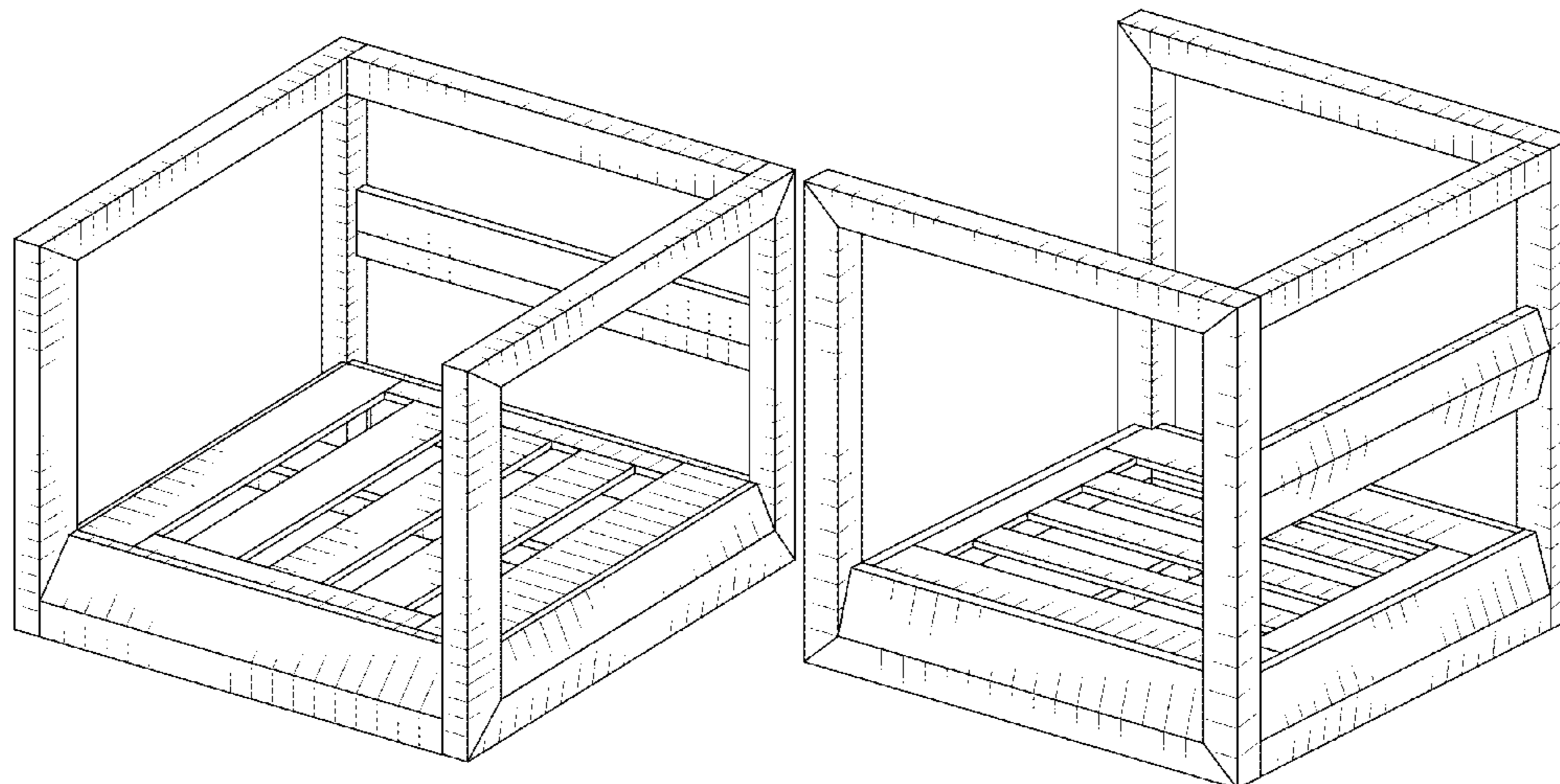
(57) **CLAIM**

The ornamental design for a lounge chair, as shown and
described.

DESCRIPTION

FIG. 1 is a front and perspective view of a lounge chair
showing my new design;
FIG. 2 is a front and perspective view thereof;
FIG. 3 is a front side view thereof;
FIG. 4 is a back side view thereof;
FIG. 5 is a right side view thereof;
FIG. 6 is a left side view thereof;
FIG. 7 is a top view thereof;
FIG. 8 is a bottom view thereof;
FIG. 9 is a rear and perspective view thereof; and,
FIG. 10 is a front and perspective view of a lounge chair
showing my new design.
The broken lines are for environmental purposes only, and
form no part of the claimed design.

1 Claim, 7 Drawing Sheets



(56)

References Cited

U.S. PATENT DOCUMENTS

D259,606	S	*	6/1981	Marks	D6/371
D487,988	S	*	4/2004	Hutton	D6/370
D698,169	S	*	1/2014	Caldwell	D6/370
D698,170	S	*	1/2014	Caldwell	D6/370
D708,452	S	*	7/2014	Garcia	D6/379
D779,849	S	*	2/2017	White, III	D6/370
D779,850	S	*	2/2017	White, III	D6/370
D802,958	S	*	11/2017	Lowsky	D6/379
D805,316	S	*	12/2017	Lowsky	D6/379
D805,317	S	*	12/2017	Lowsky	D6/379
D807,093	S	*	1/2018	Martell	D6/717
D807,659	S	*	1/2018	Baylar	D6/379
D819,354	S	*	6/2018	Harman	D6/370
D821,111	S	*	6/2018	Scallions	D6/371
D837,554	S	*	1/2019	Harman	D6/370
D845,019	S	*	4/2019	Fredriksson	D6/371
D865,380	S	*	11/2019	Kin	D6/335
D874,173	S	*	2/2020	Carter	D6/361

OTHER PUBLICATIONS

Modway, Modway Upland Teak Wood Outdoor Patio armchair with Cushions in Natural Whit, Date first available Jul. 31, 2018, [online]retrieved May 7, 2020, available from internet, www.amazon.com (Year: 2018).*

Modern Contemporary Outdoor Patio Balcony Garden Lounge Loveseat Sofa, Rattan, [online]retrieved May 7, 2020, available from internet, www.amazon.com (Year: 2020).*

* cited by examiner

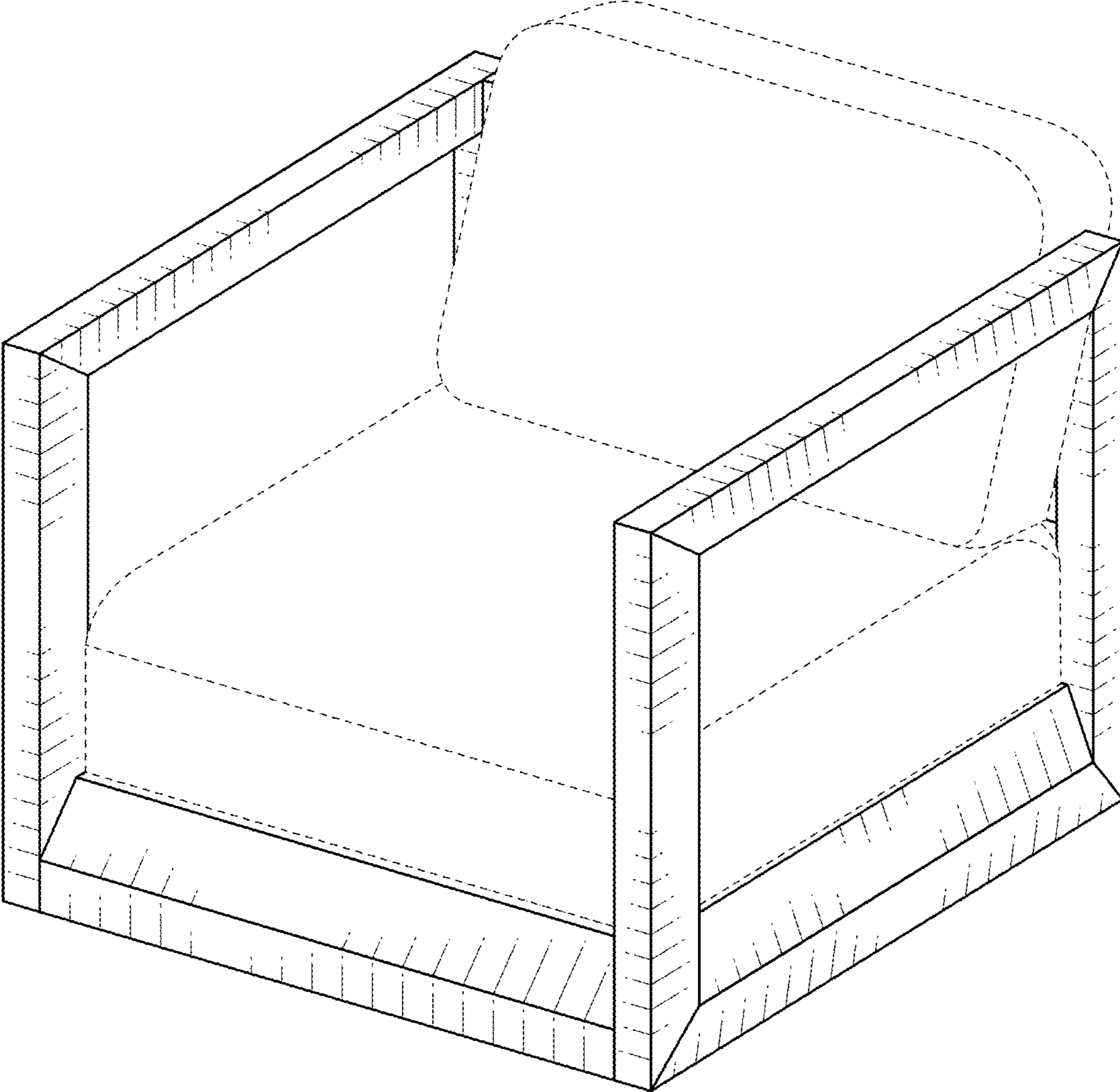


FIG. 1

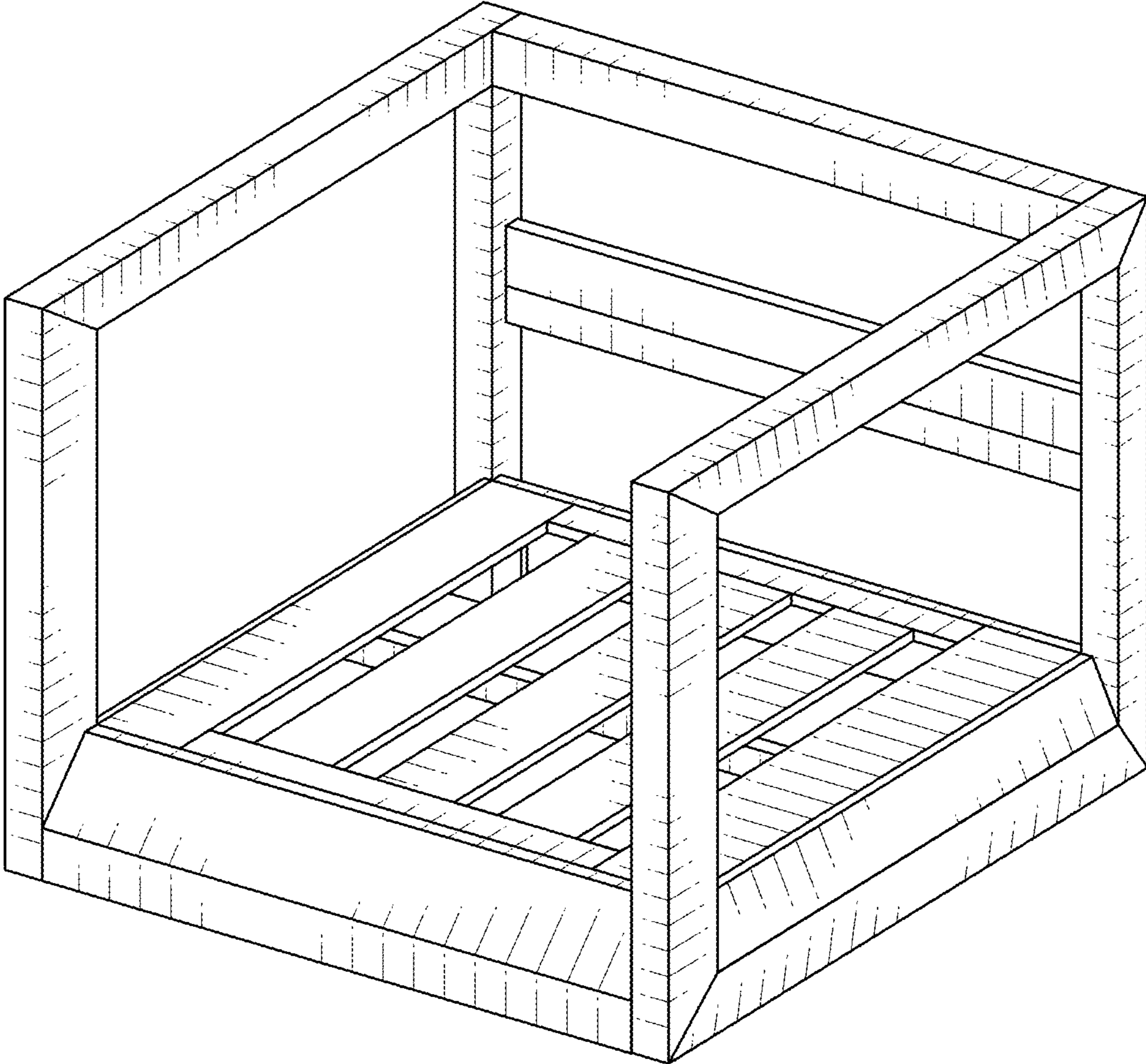


FIG. 2

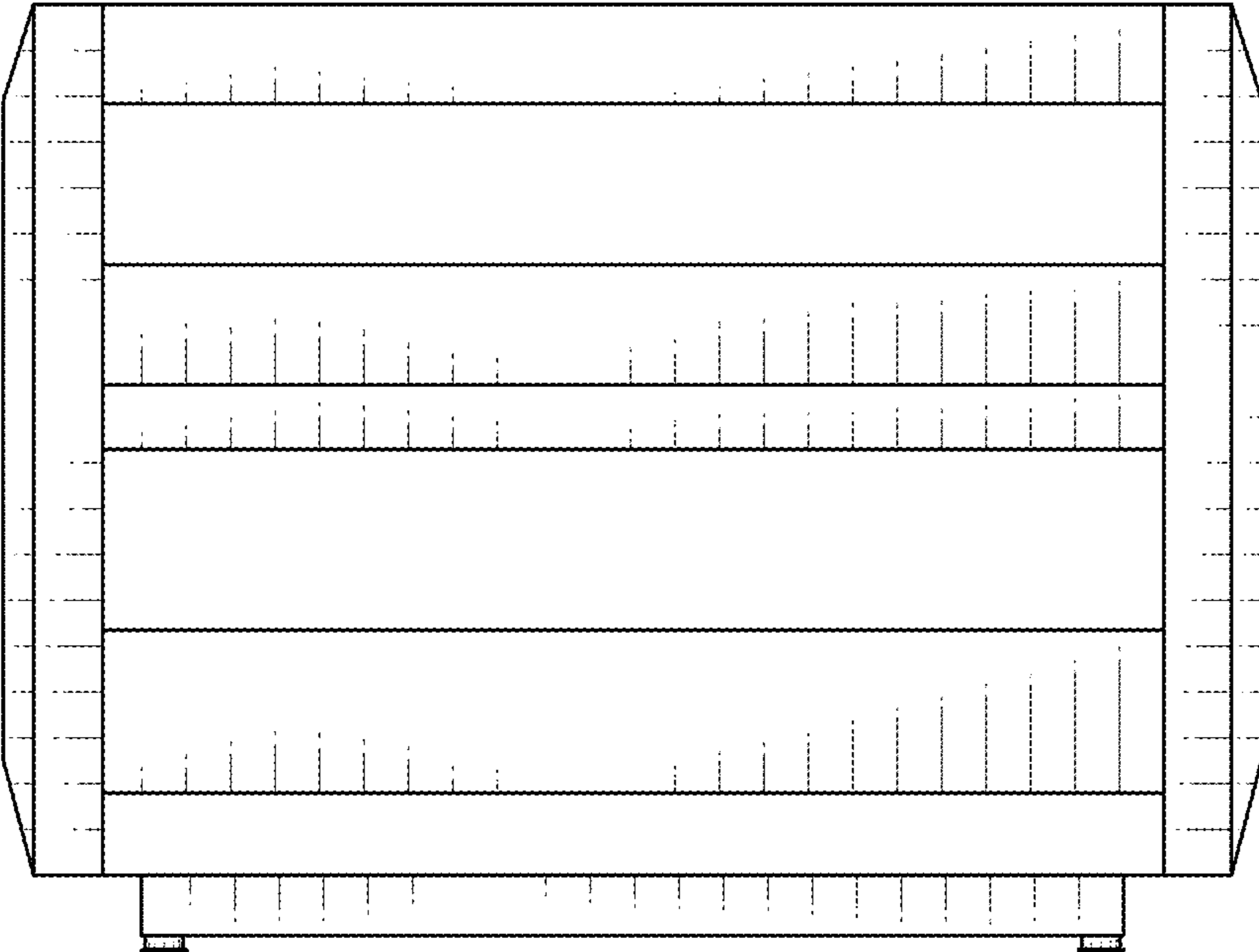


FIG. 3

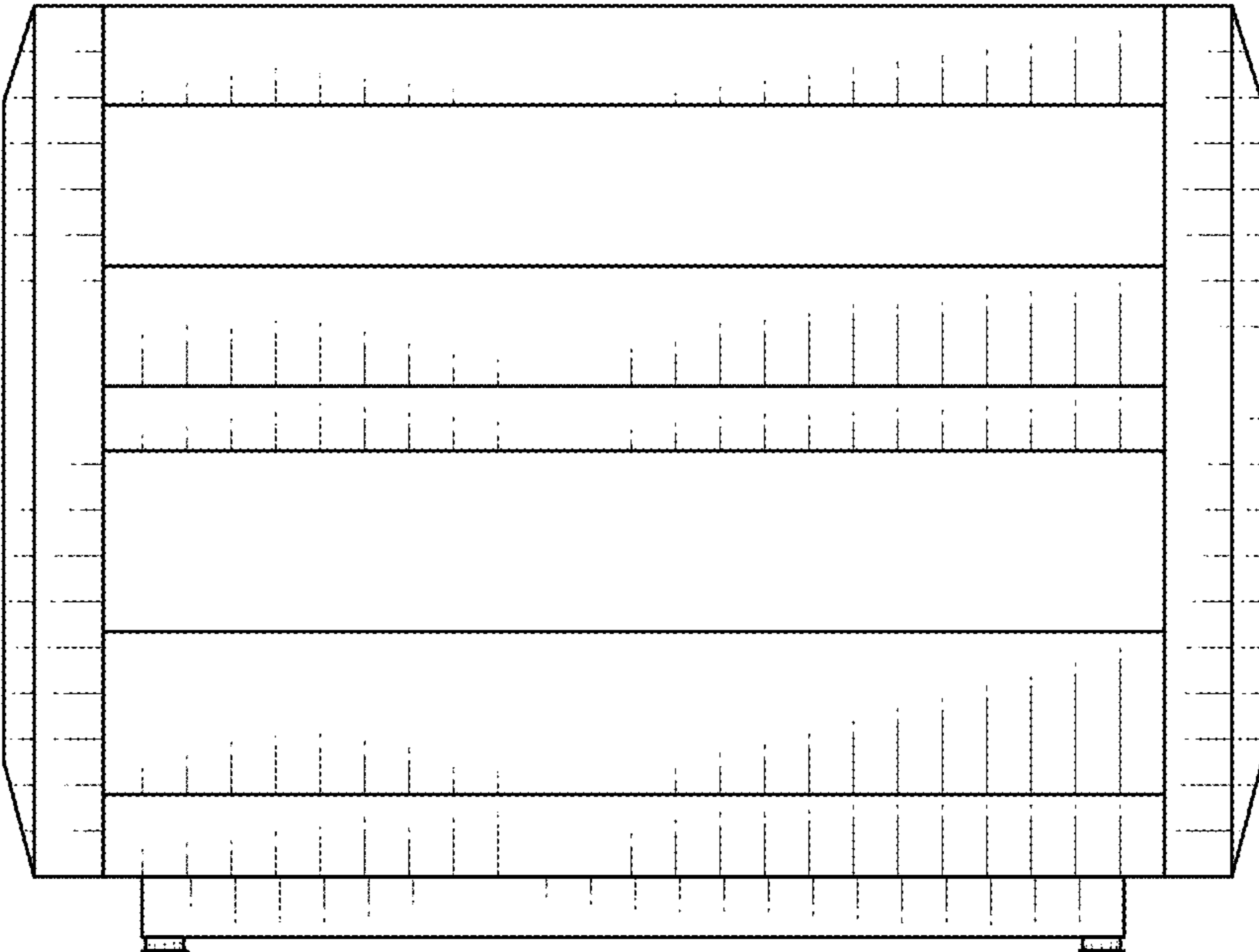


FIG. 4

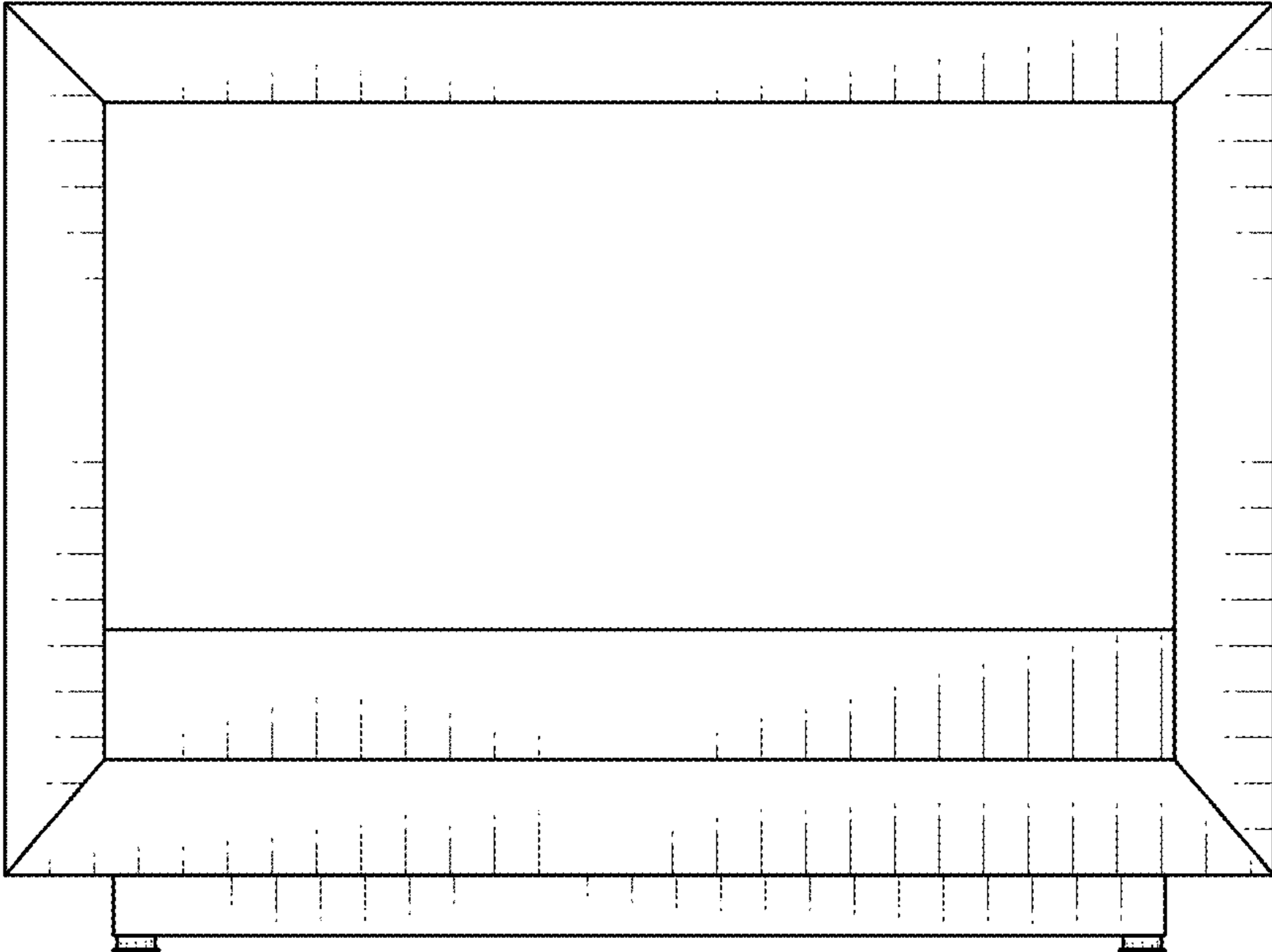


FIG. 5

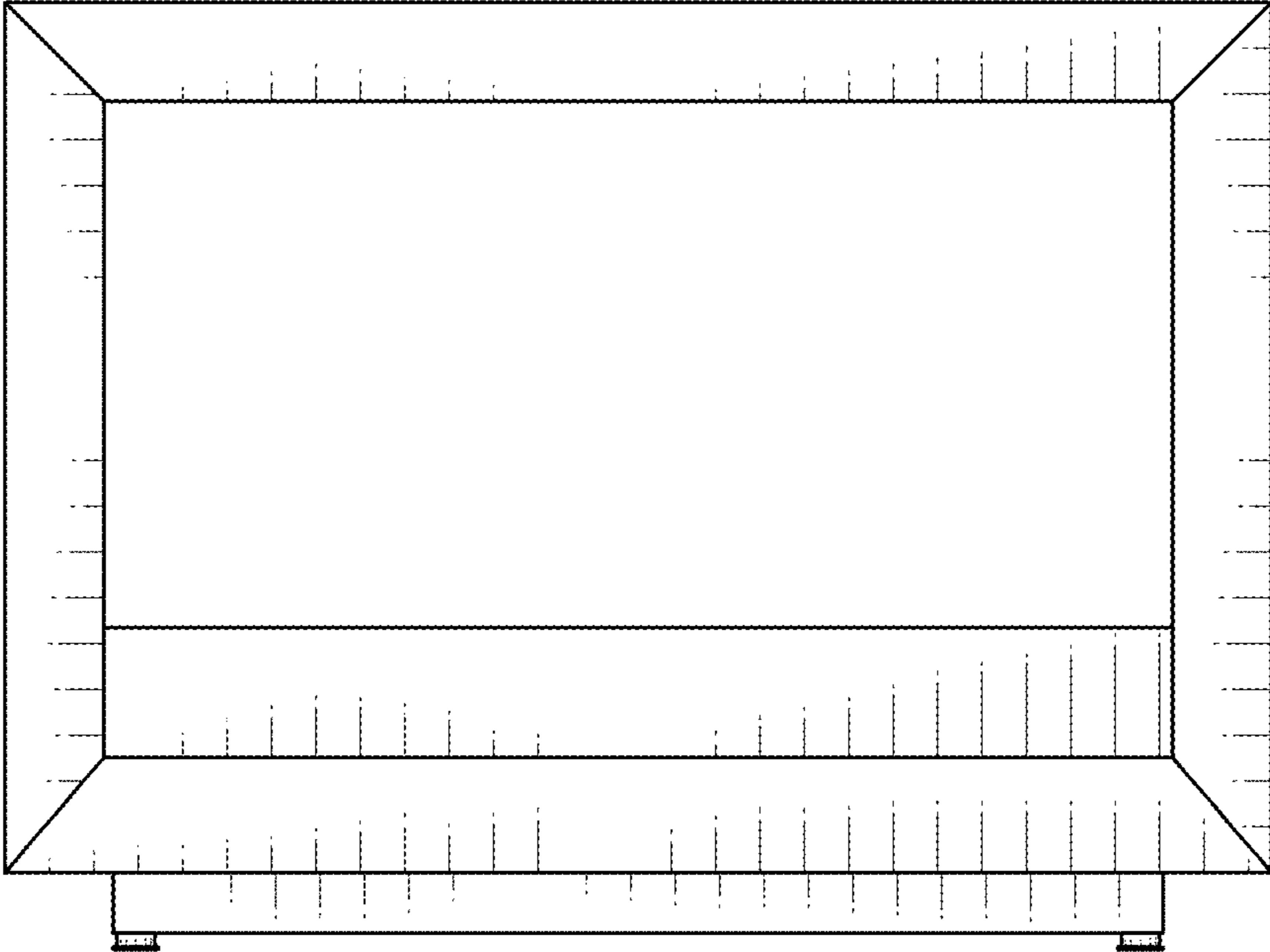


FIG. 6

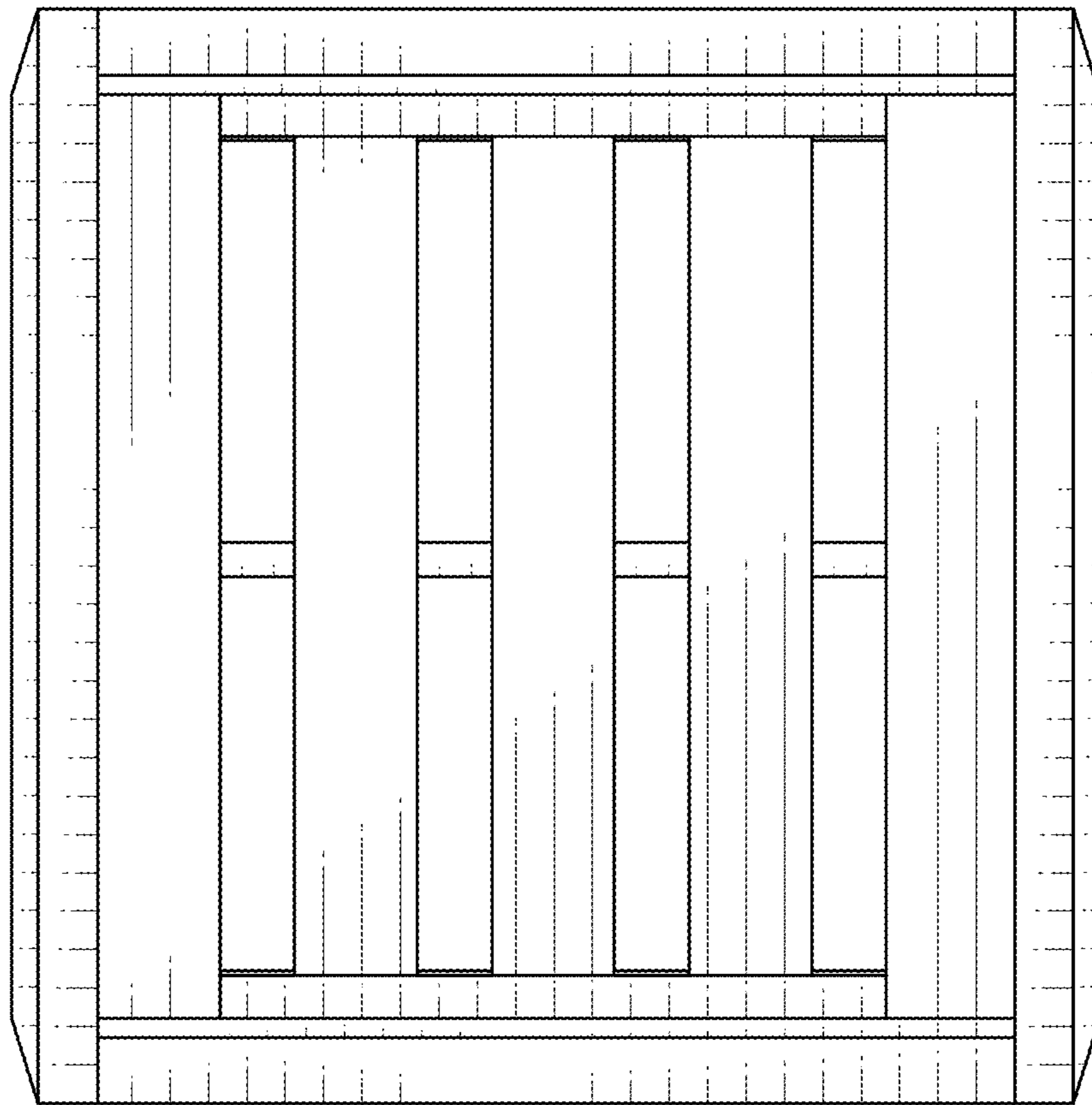


FIG. 7

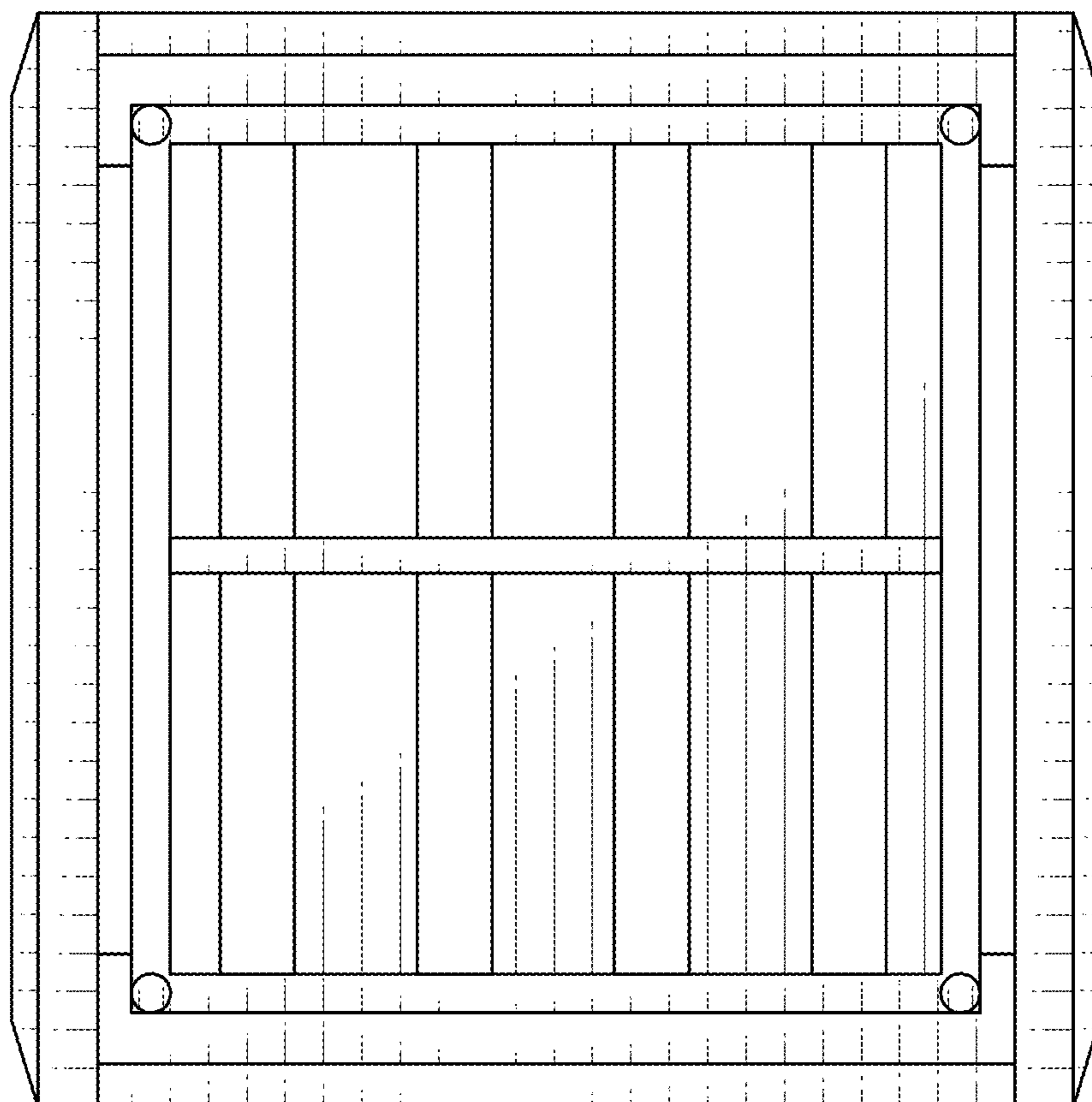


FIG. 8

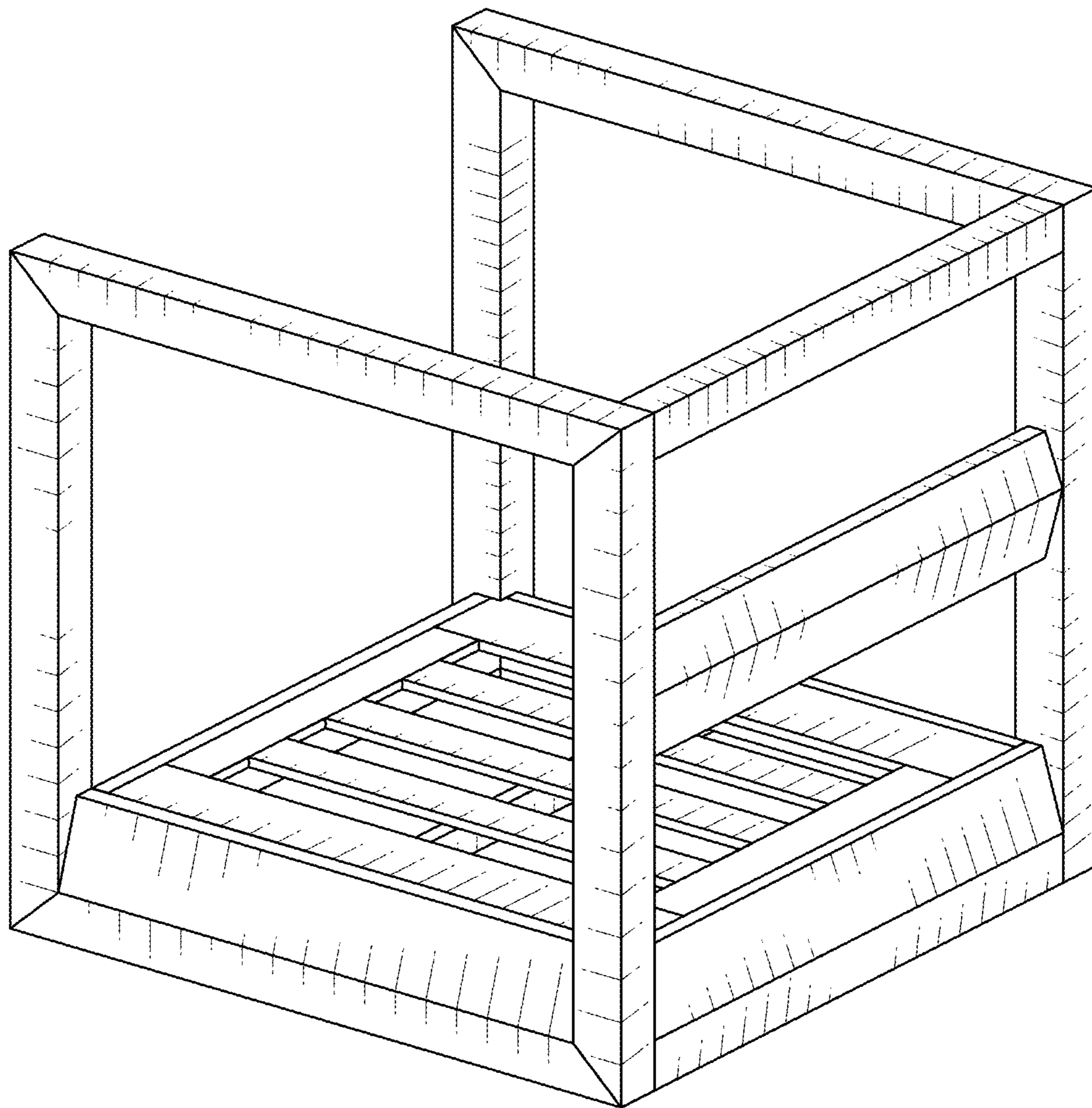


FIG. 9

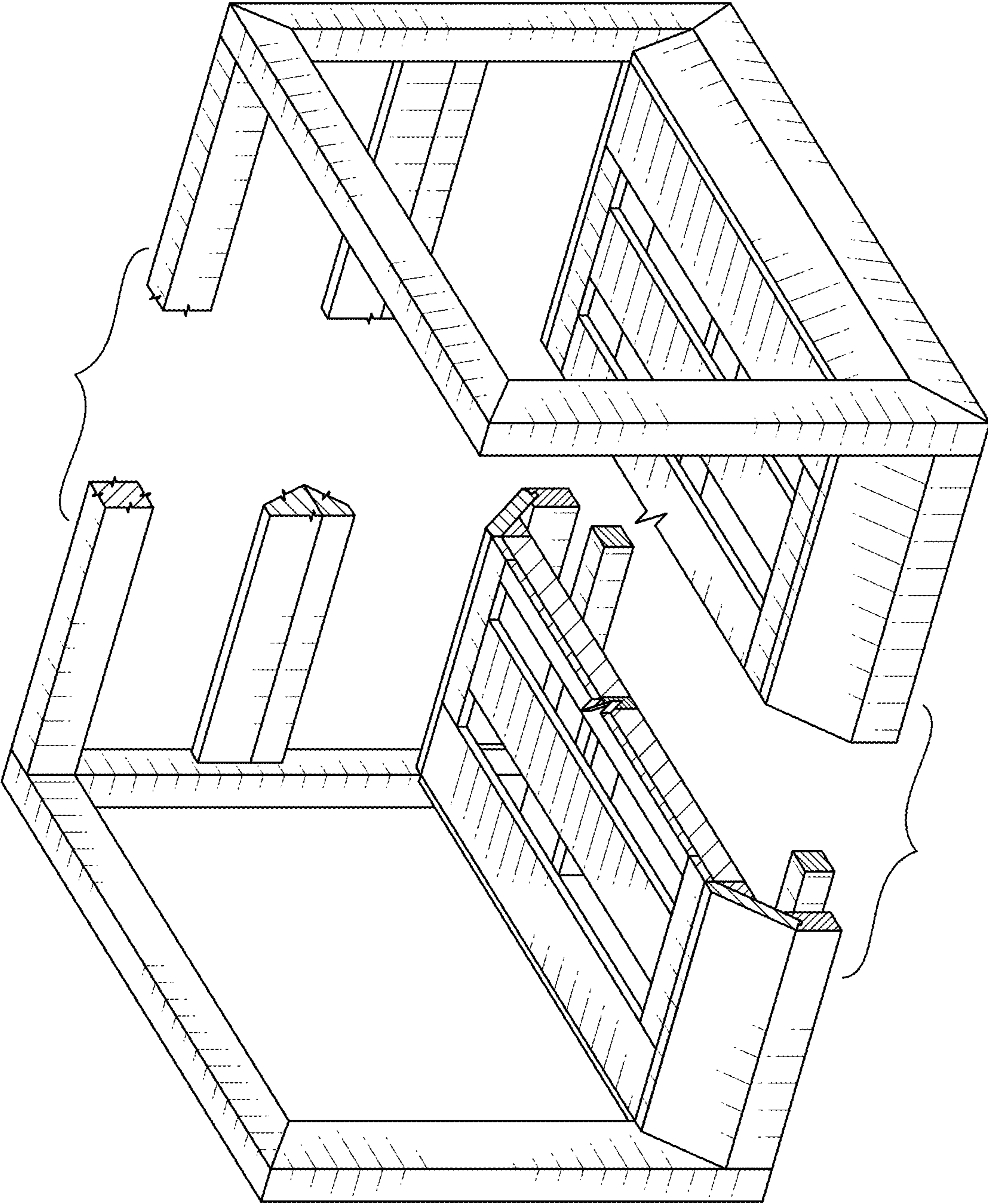


FIG. 10