



US00D904779S

(12) **United States Design Patent** (10) **Patent No.:** **US D904,779 S**
Li (45) **Date of Patent:** **** Dec. 15, 2020**

(54) **CHAIR**

(71) Applicant: **39F USA INC**, Rancho Cucamonga, CA (US)

(72) Inventor: **Yuehai Li**, Rancho Cucamonga, CA (US)

(**) Term: **15 Years**

(21) Appl. No.: **29/692,548**

(22) Filed: **May 27, 2019**

(51) **LOC (12) Cl.** **06-01**

(52) **U.S. Cl.**
USPC **D6/366**

(58) **Field of Classification Search**
 USPC D6/334, 344, 348, 364, 366, 369, 370, D6/371, 373, 381, 708, 716, 375, 716.3; D21/521, 695
 CPC A47C 3/029; A47C 3/027; A47C 3/02; A47C 3/04; A47C 3/12; A47C 4/03; A47C 4/04; A47C 5/12; A47C 7/18; A47C 1/0246; A47C 7/44; A47D 13/10; Y10S 297/01
 See application file for complete search history.

(56) **References Cited**

U.S. PATENT DOCUMENTS

D196,721 S * 10/1963 Johnson D6/366
 D585,656 S * 2/2009 Massaud D6/366
 D585,657 S * 2/2009 Massaud D6/366

D698,191 S * 1/2014 Kubryk D6/366
 D729,562 S * 5/2015 Kubryk D6/716
 D730,097 S * 5/2015 Kubryk D6/716
 D730,100 S * 5/2015 Kubryk D6/716
 D730,669 S * 6/2015 Kubryk D6/716
 D730,670 S * 6/2015 Kubryk D6/716
 D766,640 S * 9/2016 Kubryk D6/716
 D767,318 S * 9/2016 Kubryk D6/716
 D851,418 S * 6/2019 Peterson D6/366
 D859,019 S * 9/2019 Lievore D6/366
 D859,869 S * 9/2019 Lievore D6/375
 D864,641 S * 10/2019 Geelen D6/716

* cited by examiner

Primary Examiner — Kevin K Rudzinski

Assistant Examiner — Paul D Bohannon

(74) *Attorney, Agent, or Firm* — Feng Qian

(57) **CLAIM**

The ornamental design for a chair, as shown and described.

DESCRIPTION

FIG. 1 is a front perspective view of a chair showing my new design;
 FIG. 2 is a front elevation view thereof;
 FIG. 3 is a rear elevation view thereof;
 FIG. 4 is a left-side elevation view thereof;
 FIG. 5 is a right-side elevation view thereof;
 FIG. 6 is a top plan view thereof; and,
 FIG. 7 is a bottom plan view thereof.
 The broken lines shown in the drawings are for the purpose of illustrating portions of the article, and form no part of the claimed design.

1 Claim, 7 Drawing Sheets

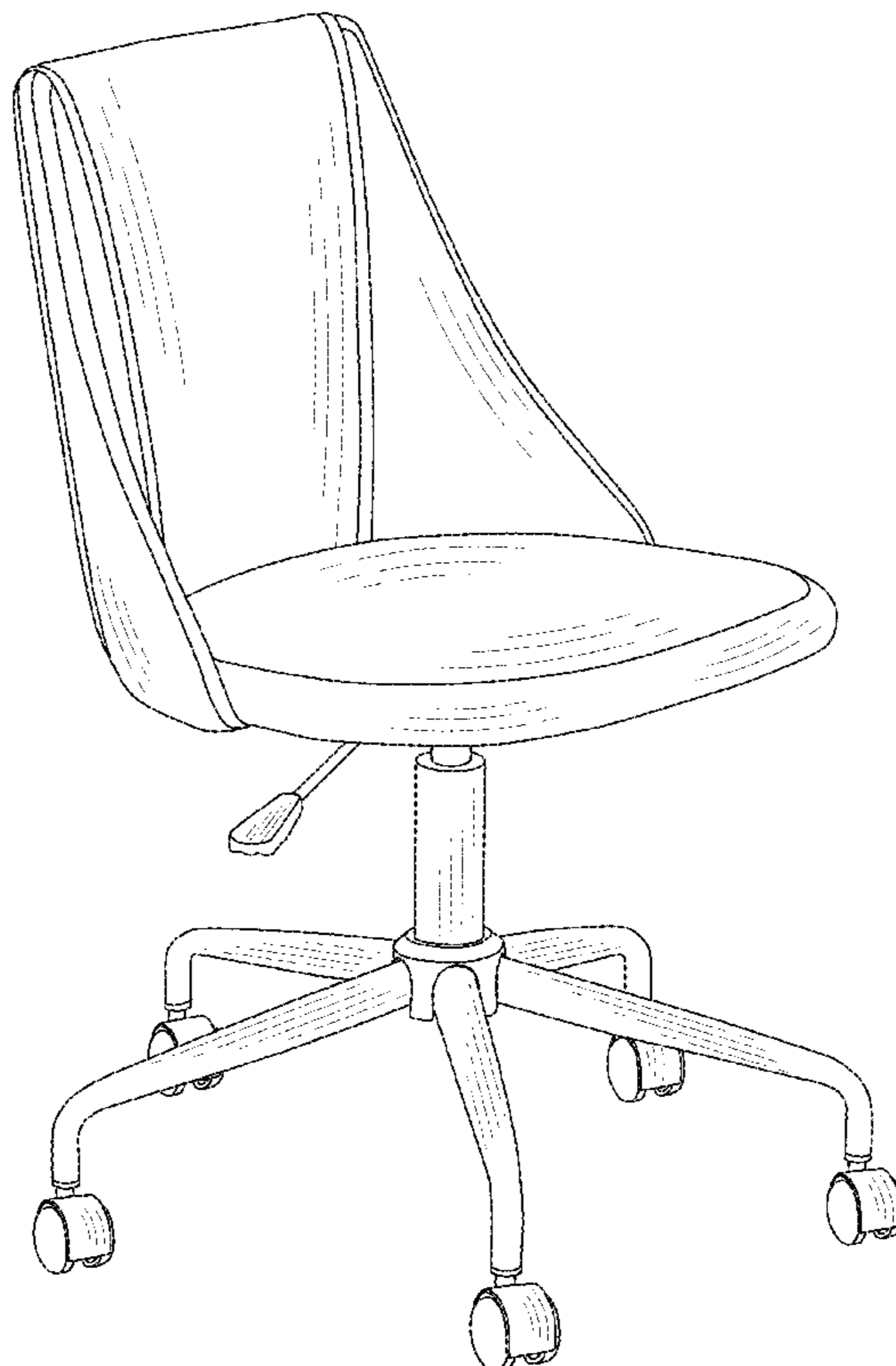




FIG. 1

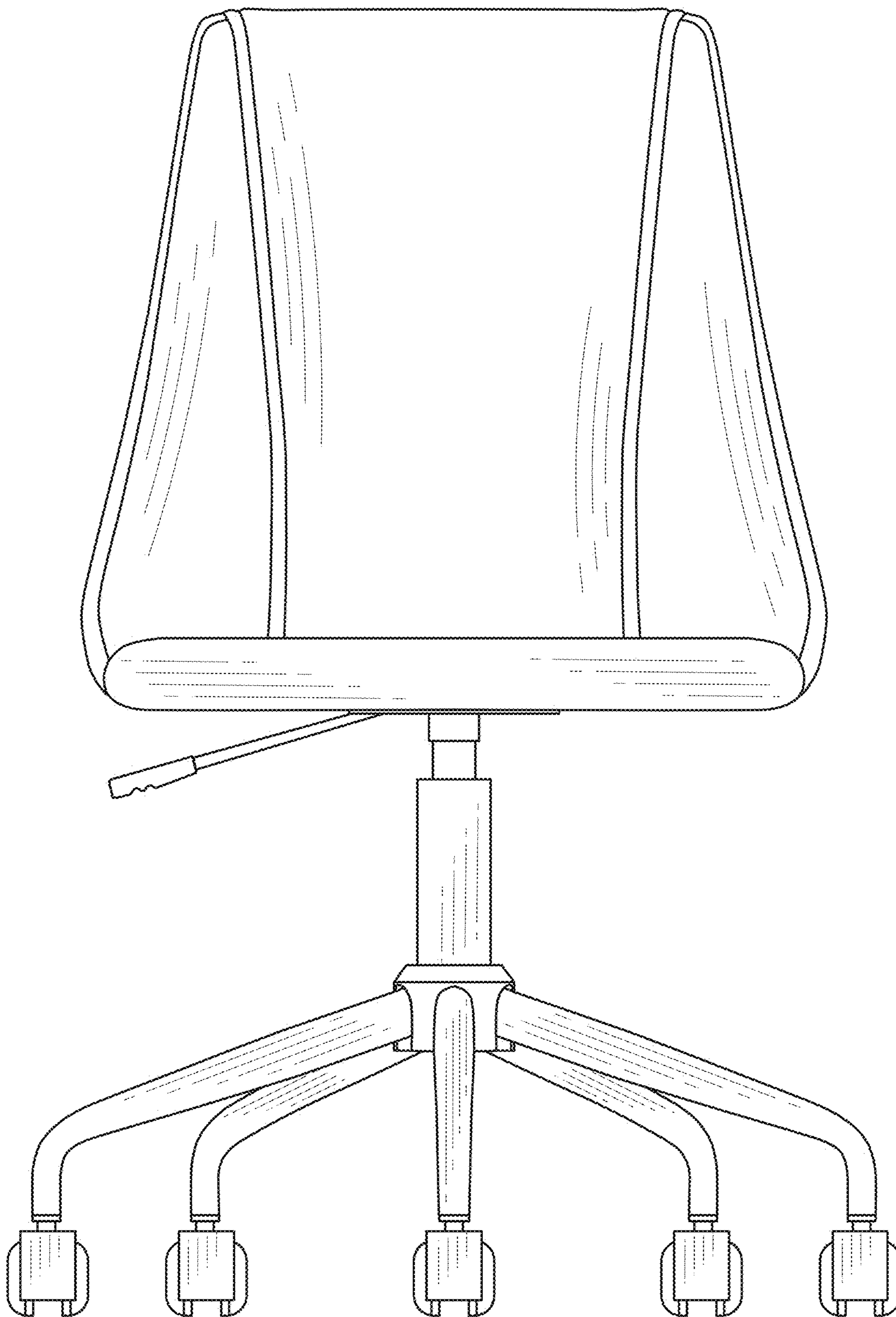


FIG. 2

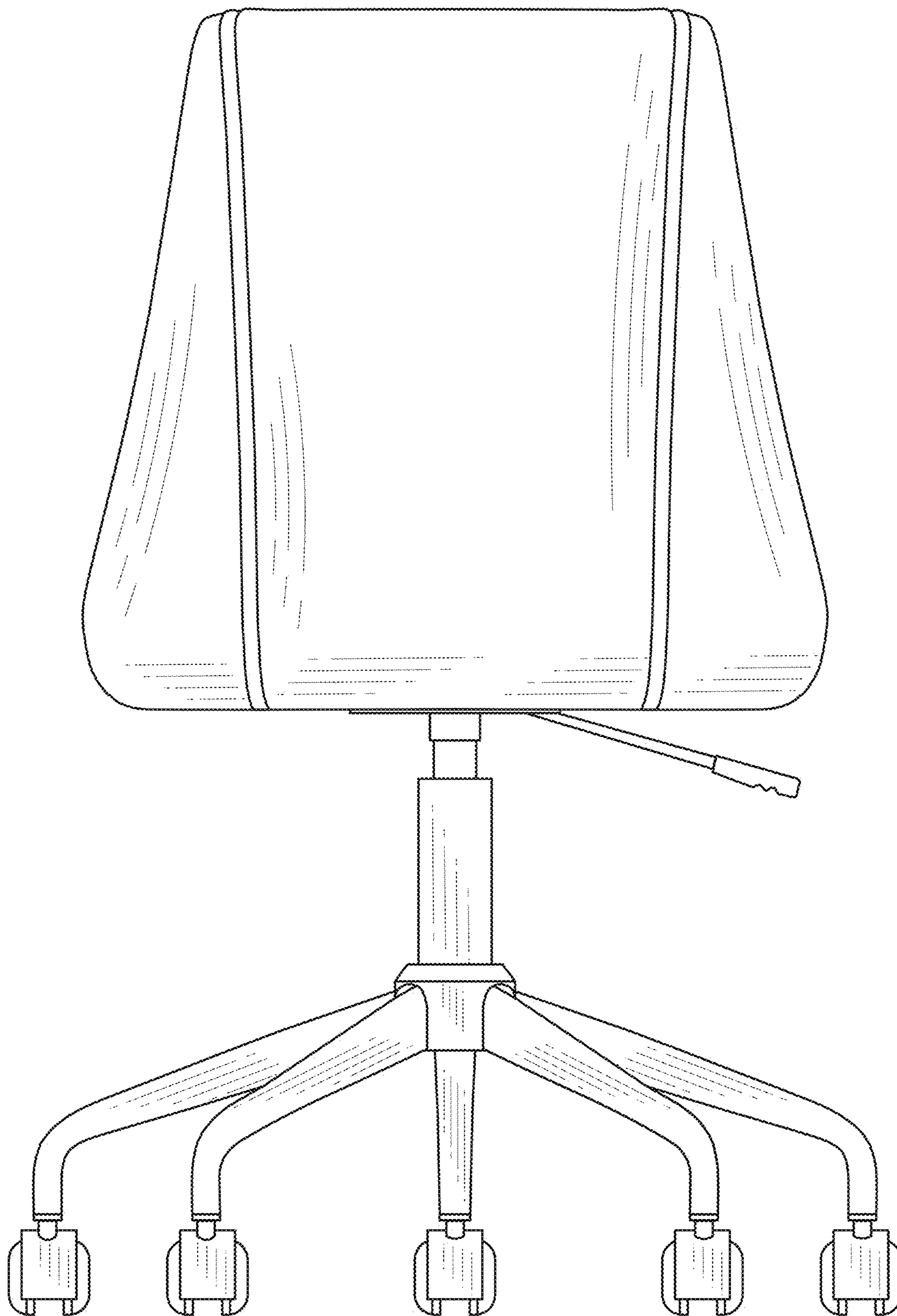


FIG. 3

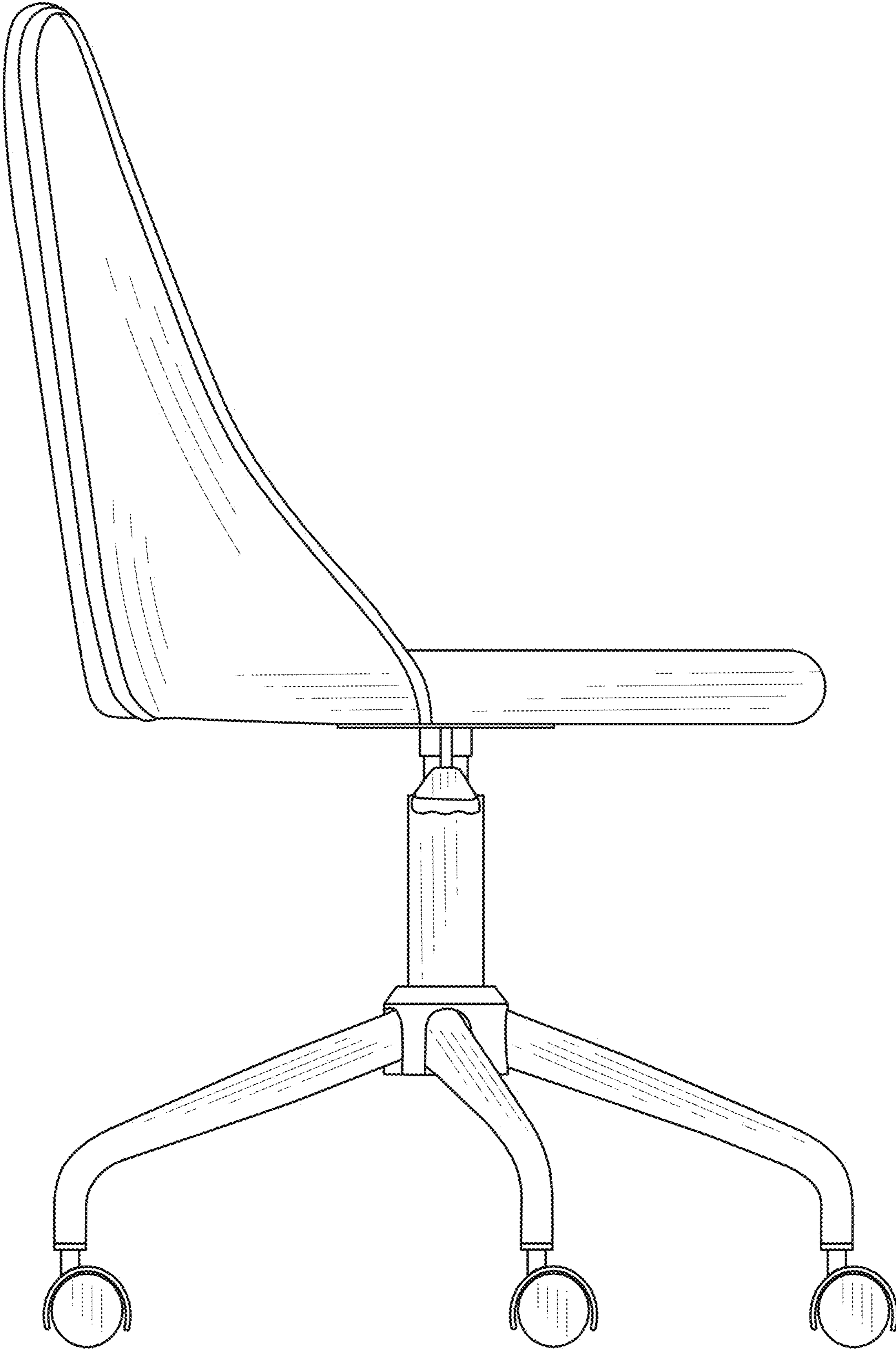


FIG. 4

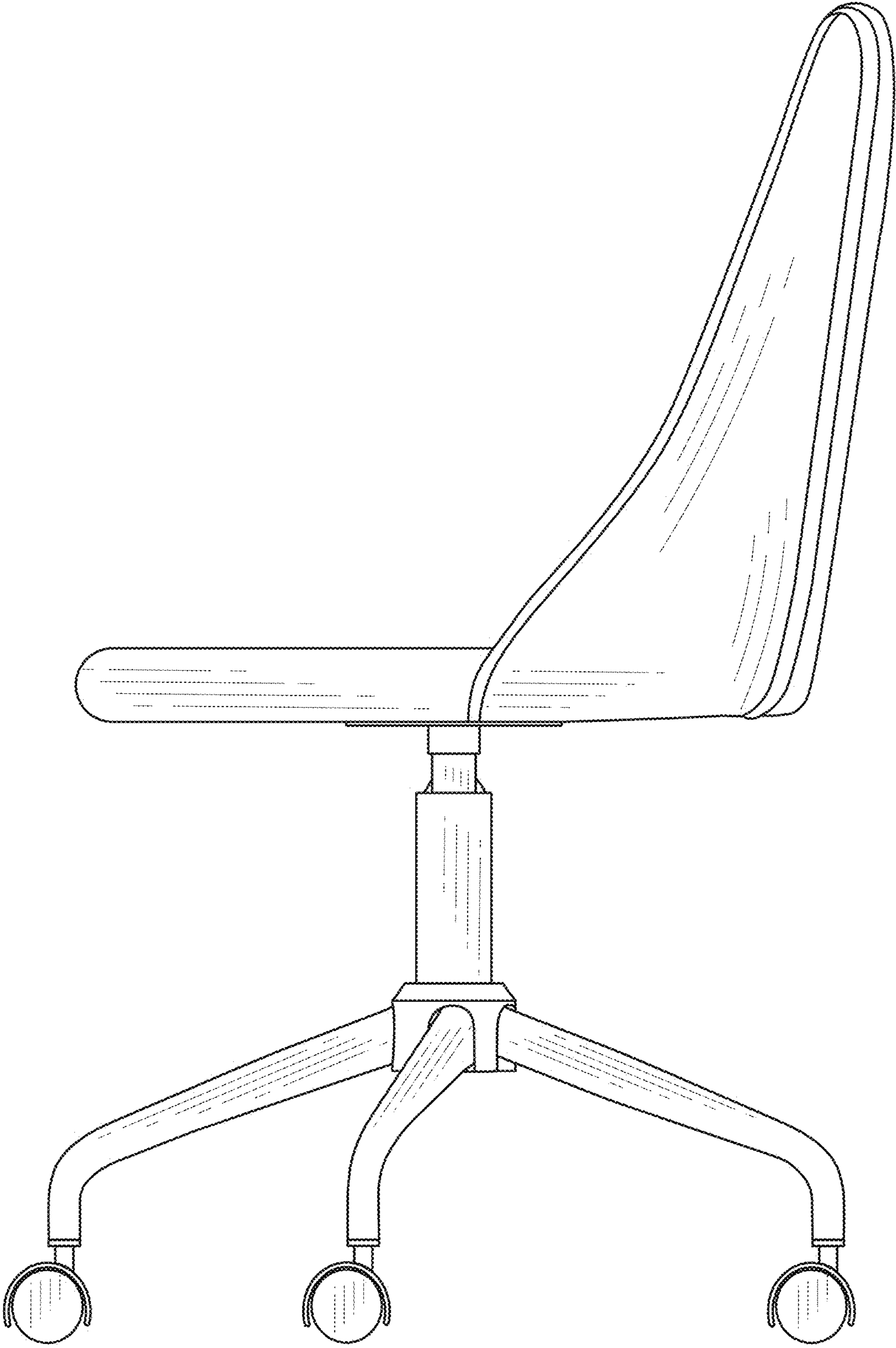


FIG. 5

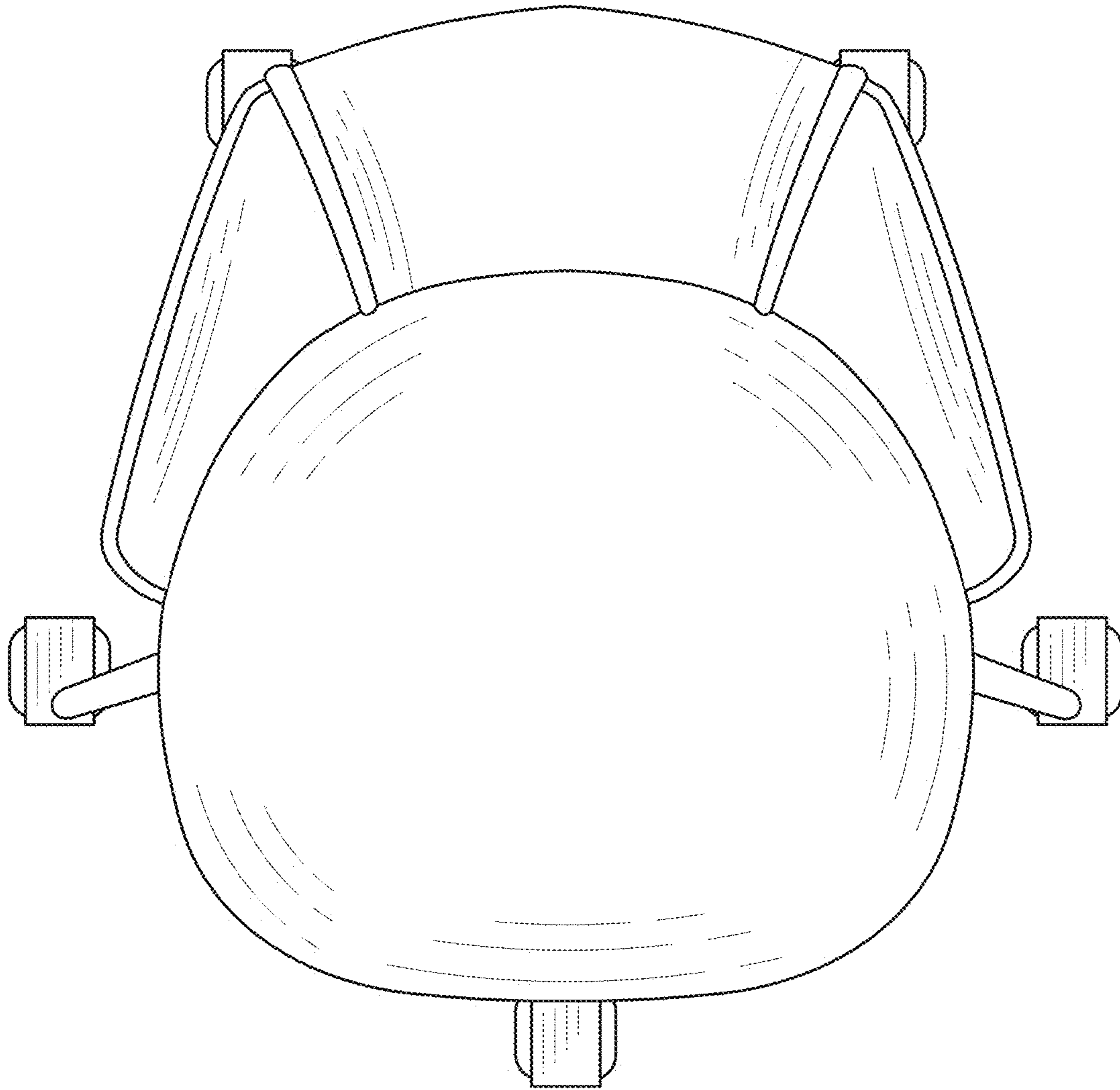


FIG. 6

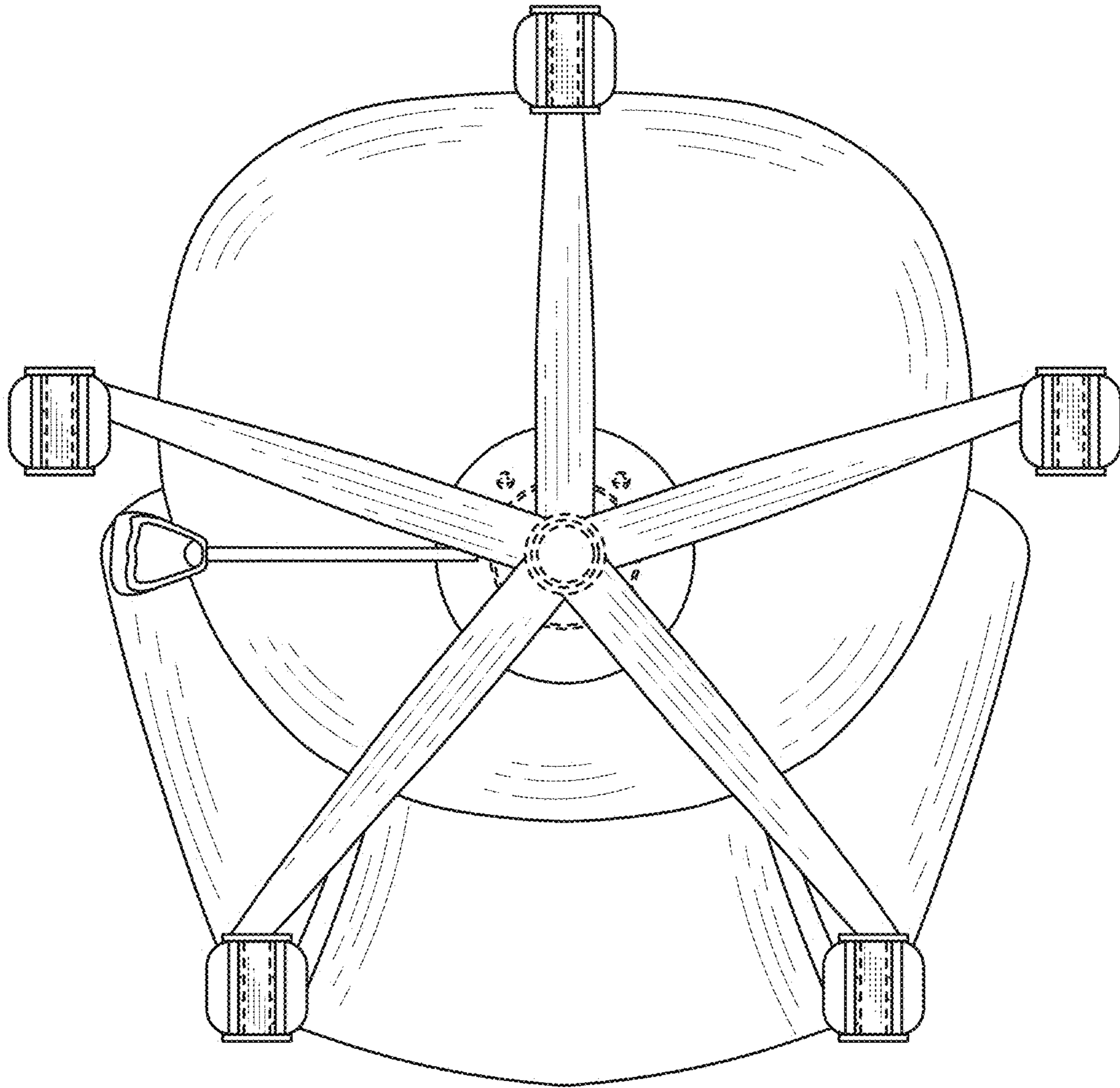


FIG. 7