



US00D904776S

(12) **United States Design Patent** (10) **Patent No.:** **US D904,776 S**
Li (45) **Date of Patent:** **** Dec. 15, 2020**

(54) **STOOL**
(71) Applicant: **39F USA INC**, Rancho Cucamonga, CA (US)
(72) Inventor: **Yuehai Li**, Rancho Cucamonga, CA (US)
(**) Term: **15 Years**

2,528,950 A * 11/1950 Engstrom A47C 3/18
5/402
D232,880 S * 9/1974 Samhamm D6/352
D396,565 S * 8/1998 Gager D6/349
D579,676 S * 11/2008 Rheault D6/349
D579,677 S * 11/2008 Zhou D6/349
D708,448 S * 7/2014 Hernandez D6/360
D719,749 S * 12/2014 Hernandez D6/349
D800,465 S * 10/2017 Ono D6/360
D818,279 S * 5/2018 Chiaramonte D6/352
D824,682 S * 8/2018 Zanayed D6/352

(21) Appl. No.: **29/687,543**
(22) Filed: **Apr. 12, 2019**
(51) **LOC (12) Cl.** **06-01**
(52) **U.S. Cl.**
USPC **D6/352**
(58) **Field of Classification Search**
USPC D6/334, 335, 349-353, 354, 355, 360,
D6/363, 364-365, 368, 596, 601, 604,
D6/691-691.9, 692-692.6, 716-716.1;
D25/65
CPC A47B 7/00-02; A47C 11/00; A47C 12/00;
A47C 13/00; A47C 16/00; A47C
16/02-04; A47C 9/00-105; A47K 17/02;
A47K 17/028
See application file for complete search history.

OTHER PUBLICATIONS

Aingoo Set of 2 Bar Stools Vintage. [online] First available date of Aug. 13, 2018. Retrieved May 20, 2020 from URL: <https://www.amazon.co.uk/Aingoo-Vintage-Adjustable-Design-Industrial/dp/B07FFS8ZNP>.*

* cited by examiner

Primary Examiner — Vy N Koenig
(74) *Attorney, Agent, or Firm* — Feng Qian

(57) **CLAIM**

The ornamental design for a stool, as shown and described.

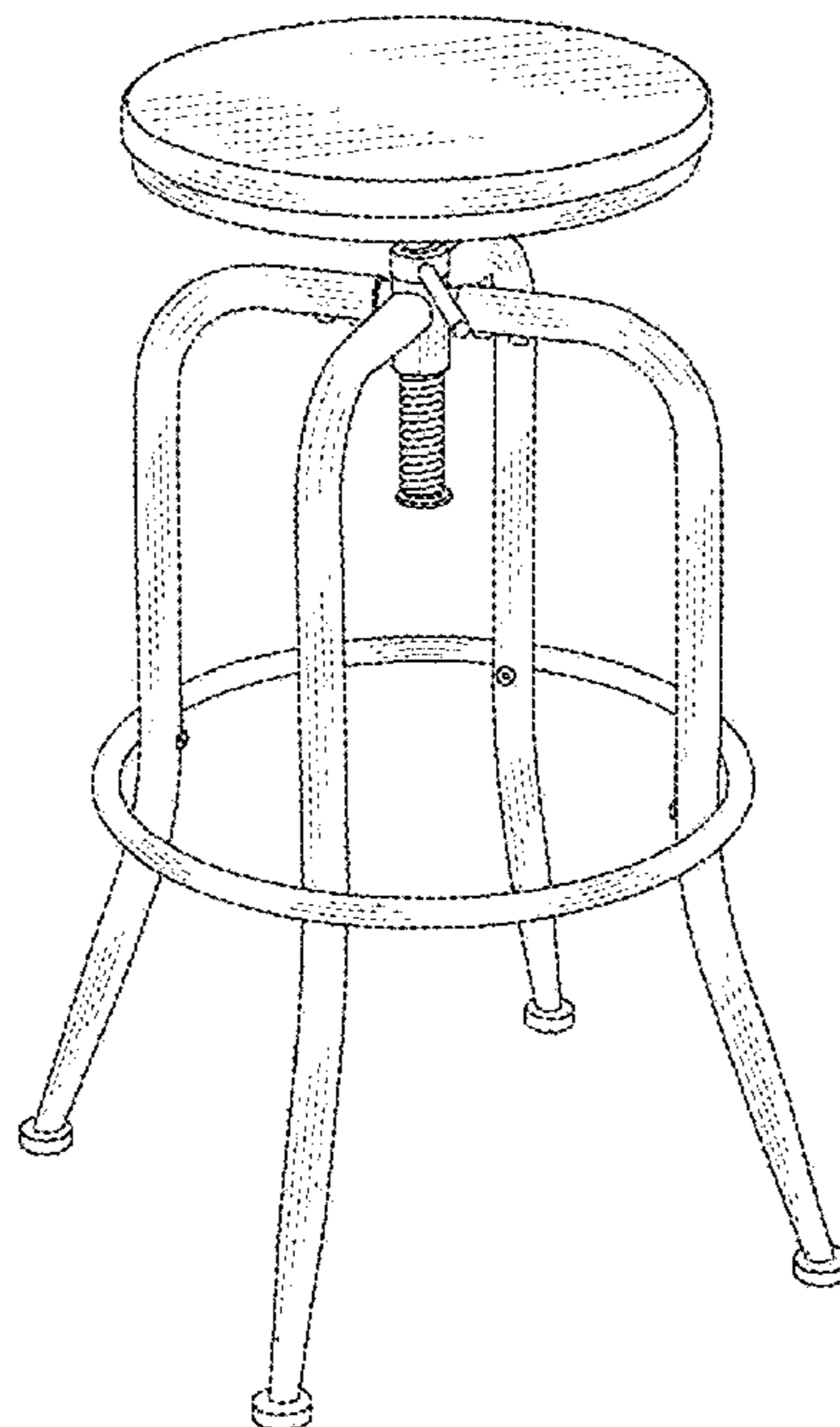
DESCRIPTION

FIG. 1 is a front perspective view of a stool showing my new design;
FIG. 2 is a front elevation view thereof;
FIG. 3 is a rear elevation view thereof;
FIG. 4 is a left-side elevation view thereof;
FIG. 5 is a right-side elevation view thereof;
FIG. 6 is a top plan view thereof; and,
FIG. 7 is a rear plan view thereof.

1 Claim, 7 Drawing Sheets

(56) **References Cited**
U.S. PATENT DOCUMENTS

2,132,291 A * 10/1938 Fitos A47C 3/025
248/583
D132,105 S * 4/1942 Peterson D6/352
D141,379 S * 5/1945 Panzer D6/352
2,471,740 A * 5/1949 Hamilton A47B 3/12
248/188
D156,463 S * 12/1949 Sg D6/352
2,525,670 A * 10/1950 Hamilton A47C 7/26
5/402



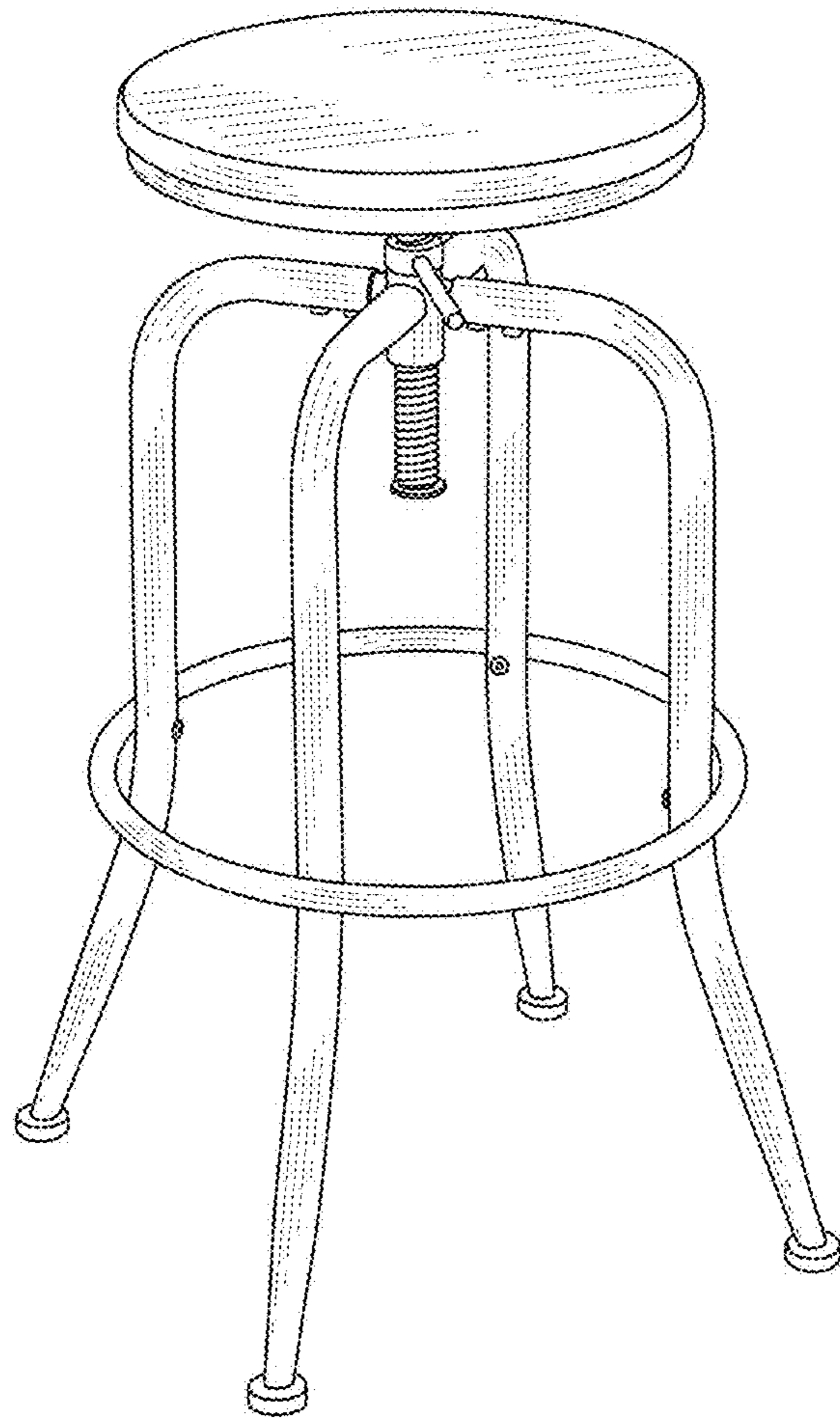


Fig.1

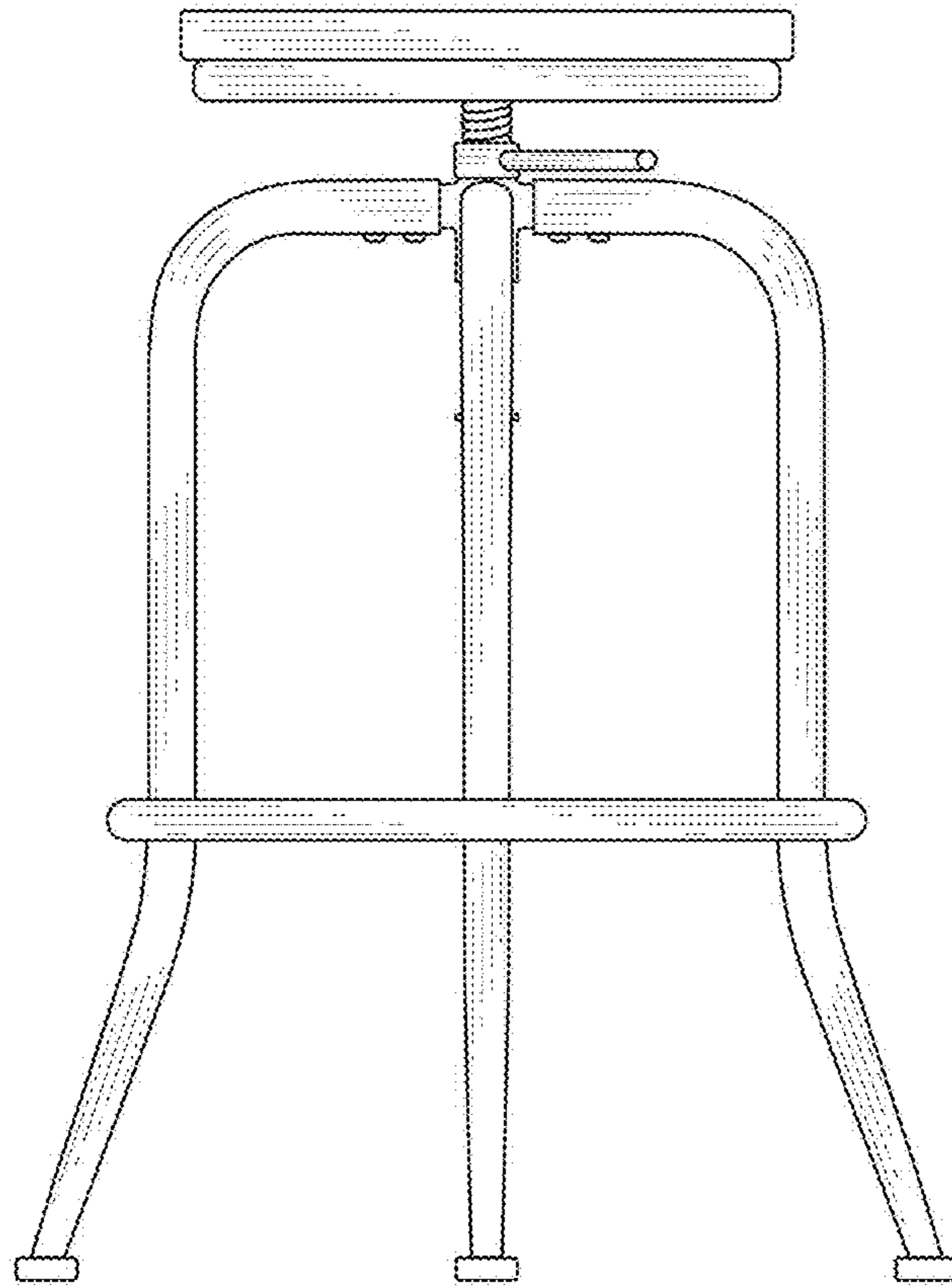


Fig.2

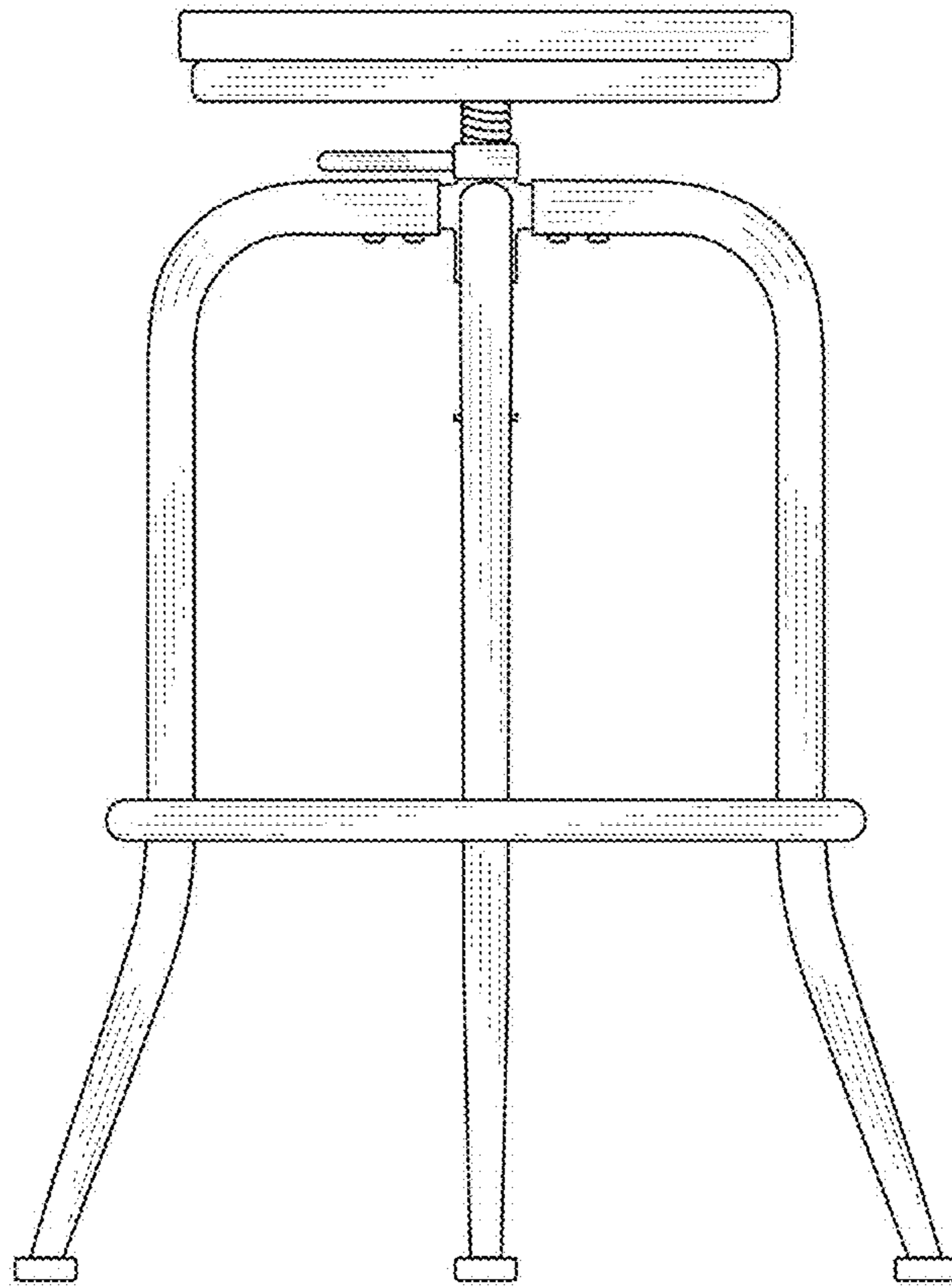


Fig.3

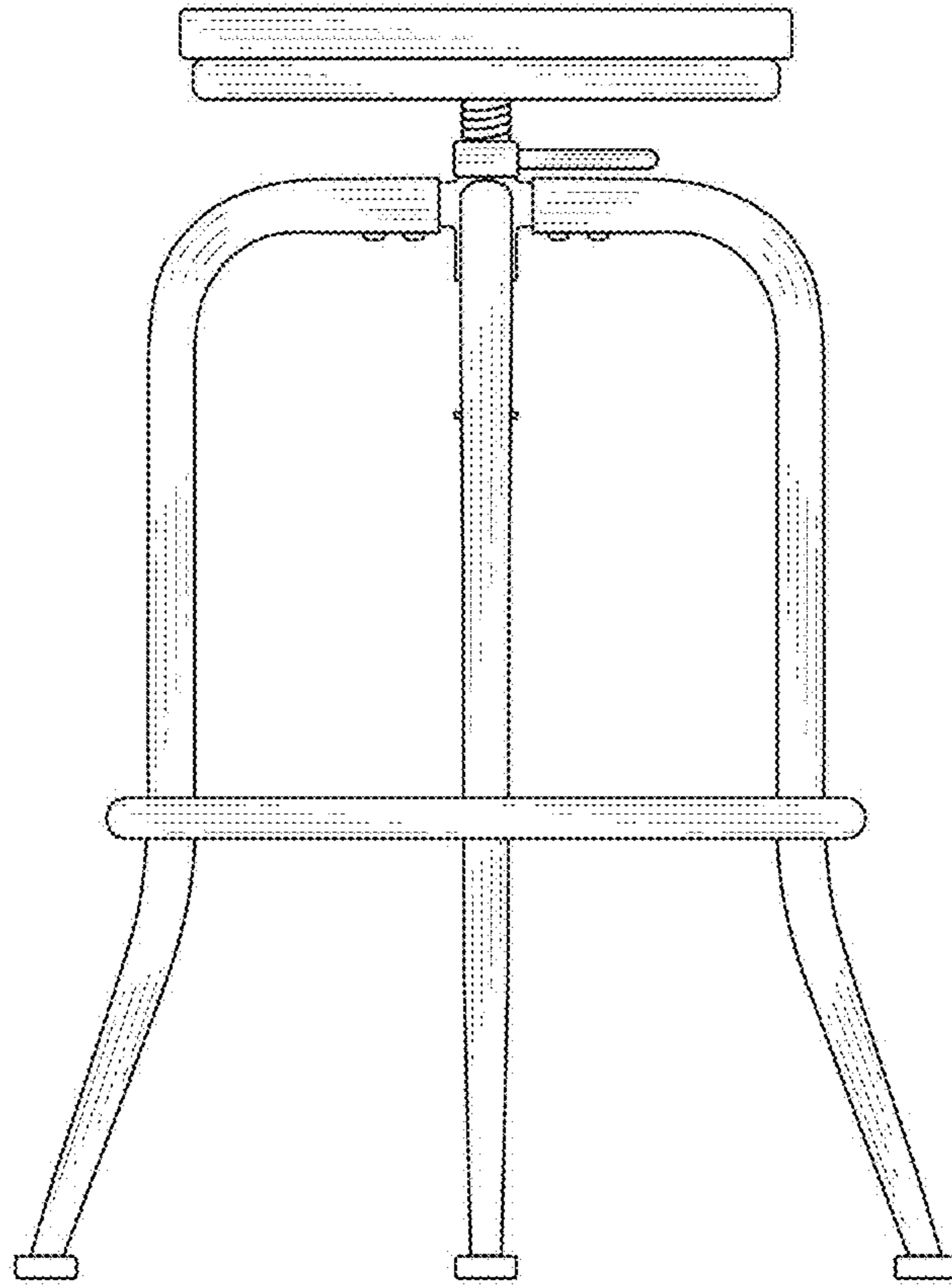


Fig.4

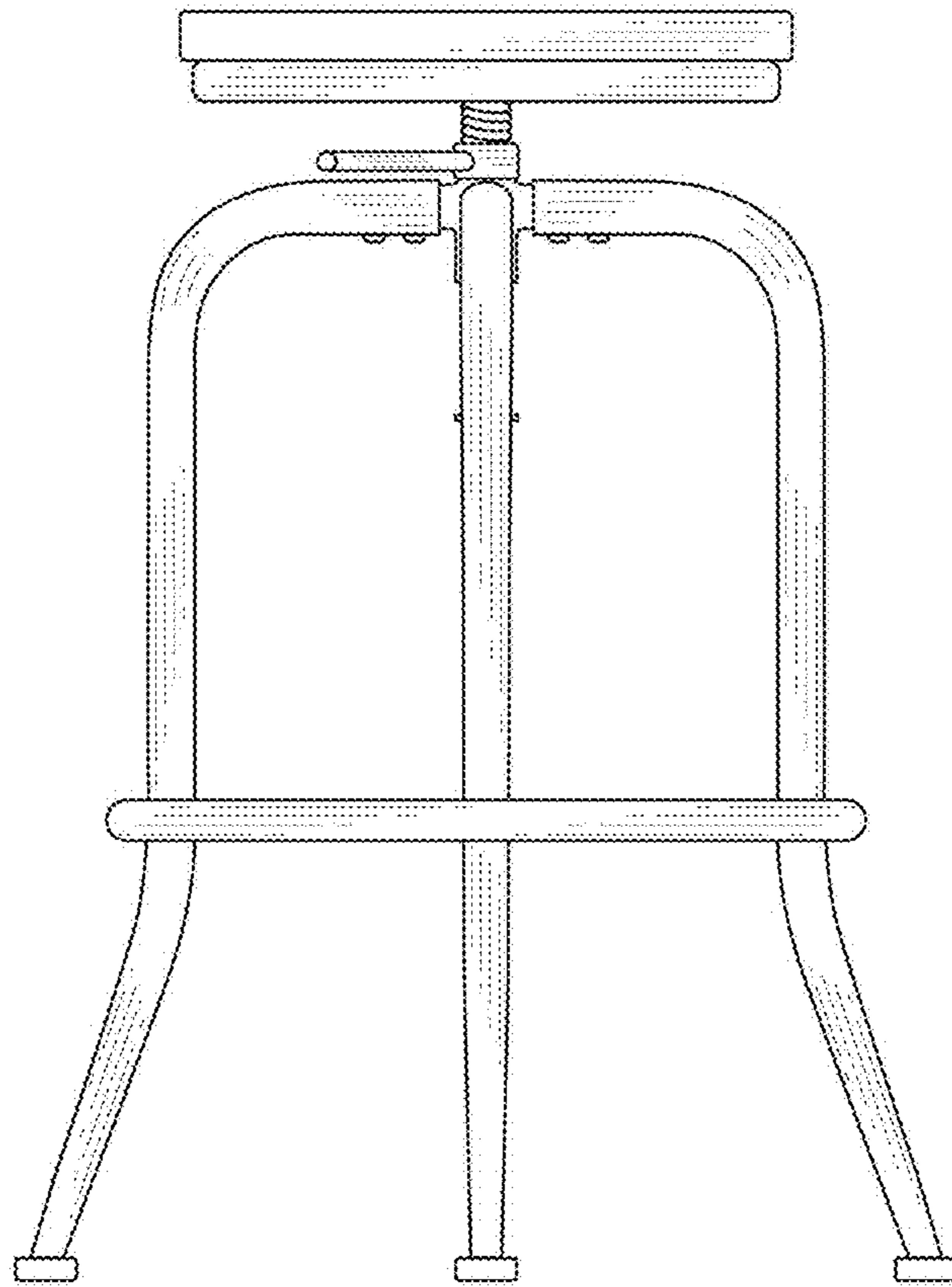


Fig.5

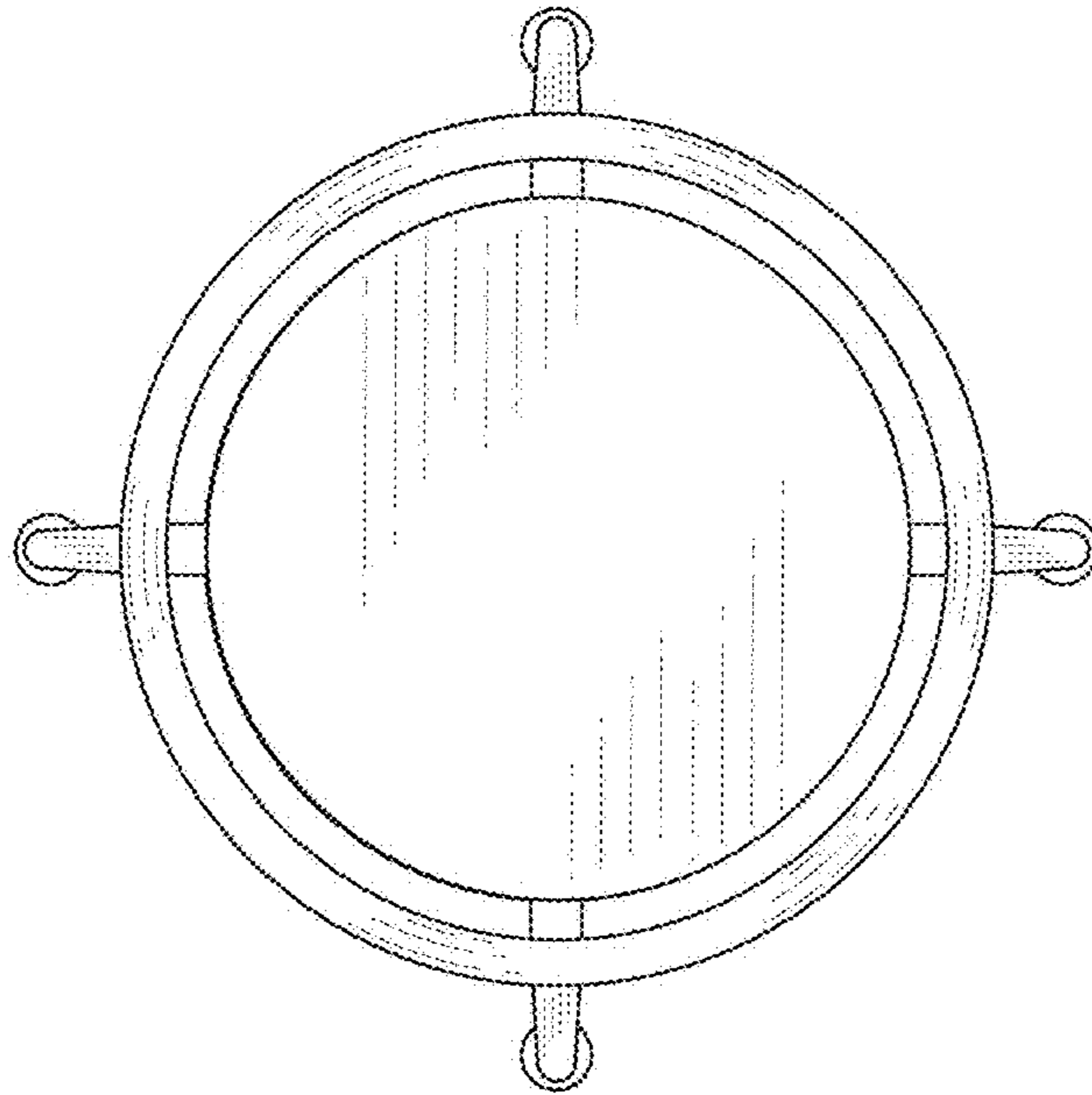


Fig.6

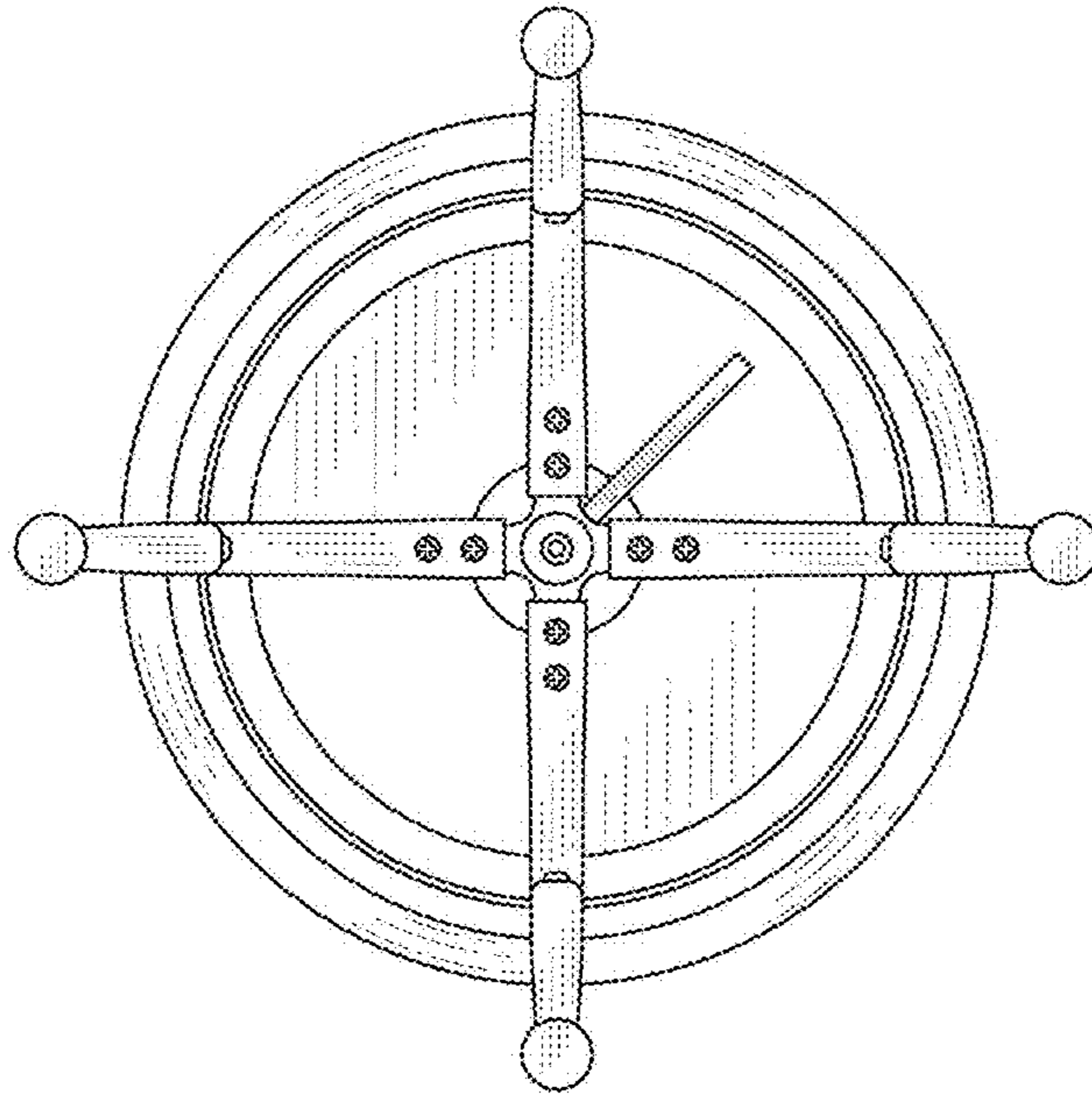


Fig.7