



US00D904775S

(12) **United States Design Patent**
Fürbeth

(10) **Patent No.:** **US D904,775 S**

(45) **Date of Patent:** **** Dec. 15, 2020**

(54) **LOUNGER**

(71) Applicant: **Inke Fürbeth**, Nuremberg (DE)

(72) Inventor: **Inke Fürbeth**, Nuremberg (DE)

(**) Term: **15 Years**

(21) Appl. No.: **29/704,604**

(22) Filed: **Sep. 5, 2019**

(30) **Foreign Application Priority Data**

Mar. 5, 2019 (DE) 40 2019 100 262

(51) **LOC (12) Cl.** **06-01**

(52) **U.S. Cl.**
USPC **D6/349**

(58) **Field of Classification Search**
USPC D6/349, 352, 353, 355, 360, 361
CPC A47C 5/02; A47C 5/04; A47C 11/00
See application file for complete search history.

(56) **References Cited**

U.S. PATENT DOCUMENTS

2,619,154 A * 11/1952 Erickson A47D 1/103
108/130
2,727,564 A * 12/1955 Gruber A47C 5/04
108/91
D189,872 S * 3/1961 Arnott A47C 5/04
D6/353

D284,047 S * 6/1986 Striebel D6/353
D317,532 S * 6/1991 Meadows A47D 1/103
D6/355
D440,059 S * 4/2001 Jeup D6/349
D561,483 S * 2/2008 Buie, II D6/353

OTHER PUBLICATIONS

Woven Leather Bench, Stahl + Band, undated, site visited Aug. 12, 2020, available online at <https://stahlandband.com/collections/untitled-woven-leather-bench-by-david-mcauliffe/> (Year: 2020).*

* cited by examiner

Primary Examiner — Cathron C Brooks

(74) *Attorney, Agent, or Firm* — Rimôn, P.C.

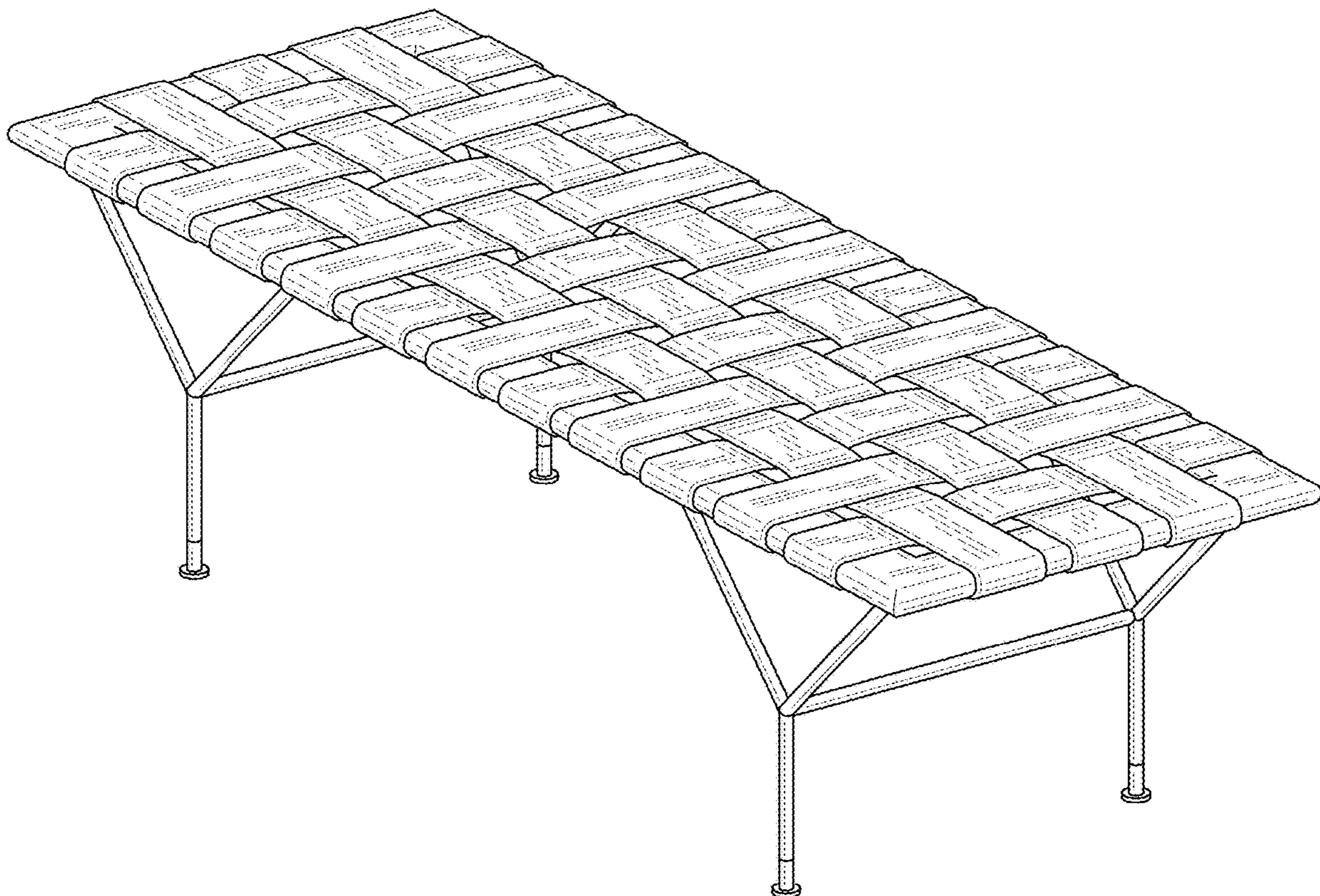
(57) **CLAIM**

I claim the ornamental design for a lounger, as shown and described.

DESCRIPTION

FIG. 1 is an upper perspective view of a lounger;
FIG. 2 is a right side view of the lounger shown in FIG. 1;
FIG. 3 is a left side view of the lounger shown in FIG. 1;
FIG. 4 is a front view of the lounger shown in FIG. 1;
FIG. 5 is a rear view of the lounger shown in FIG. 1;
FIG. 6 is a top plan view of the lounger shown in FIG. 1;
and,
FIG. 7 is a bottom plan view of the lounger shown in FIG. 1.

1 Claim, 7 Drawing Sheets



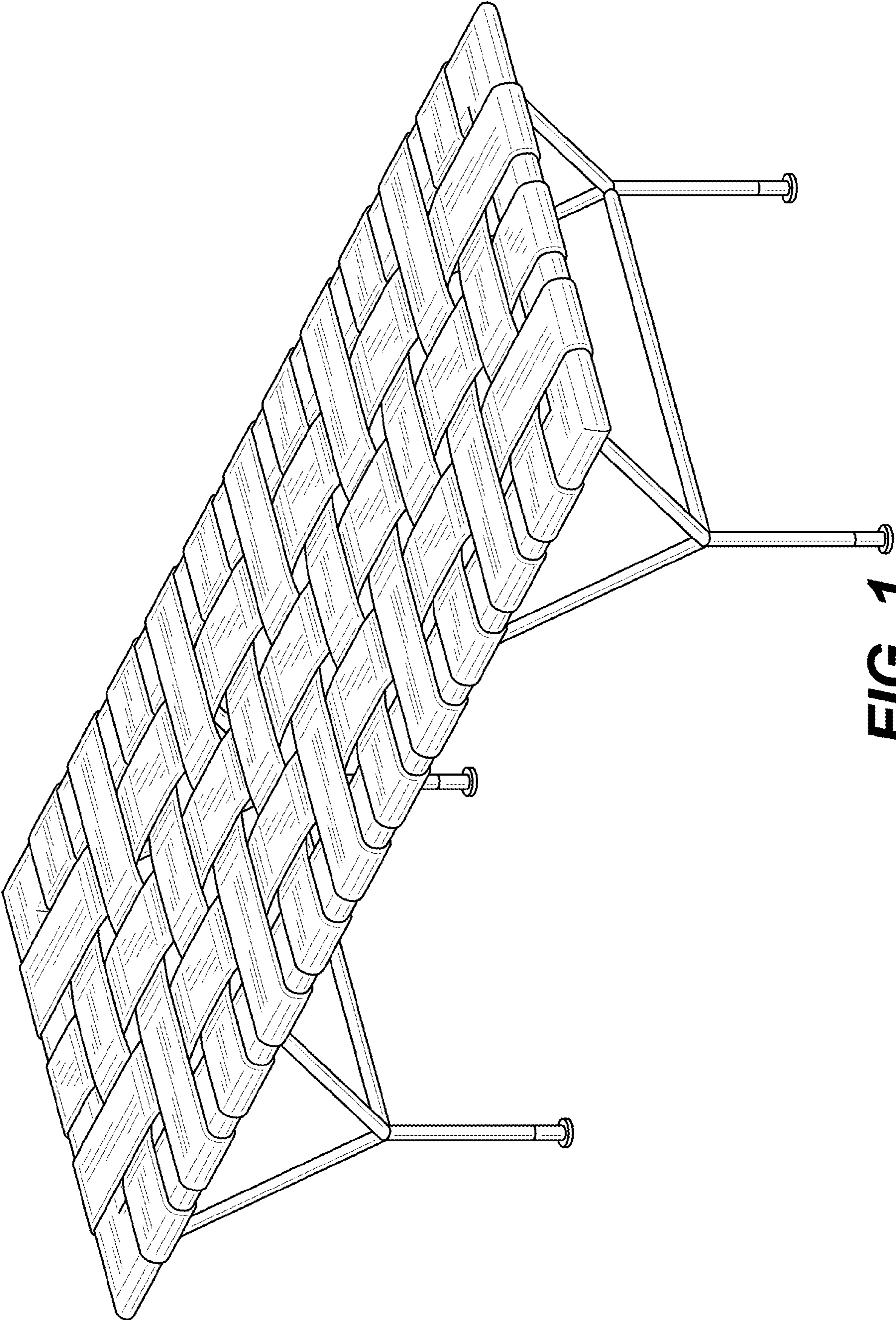


FIG. 1

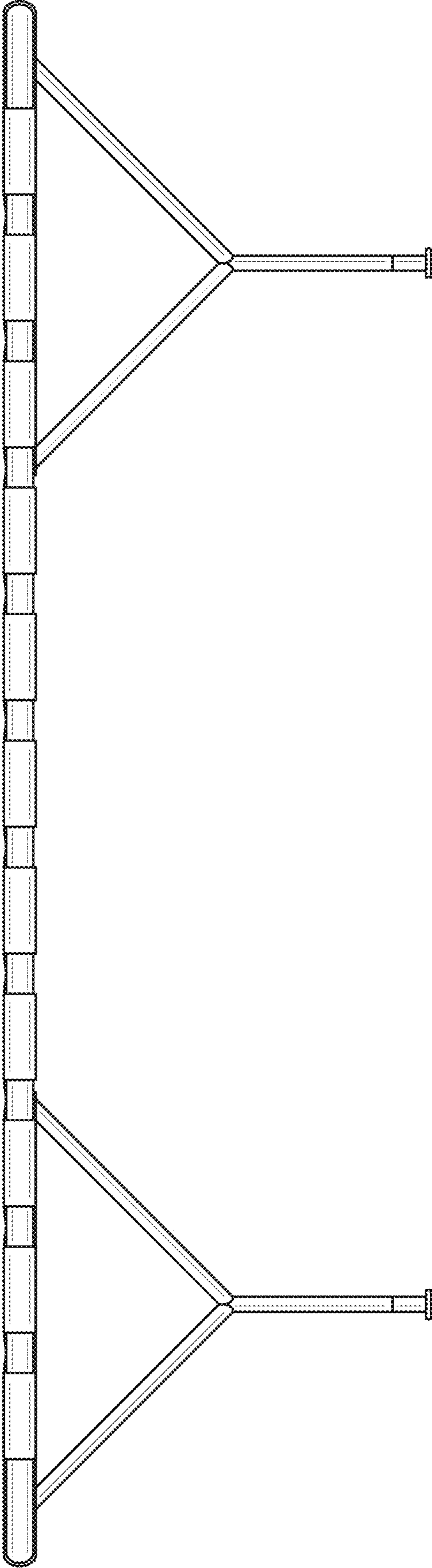


FIG. 2

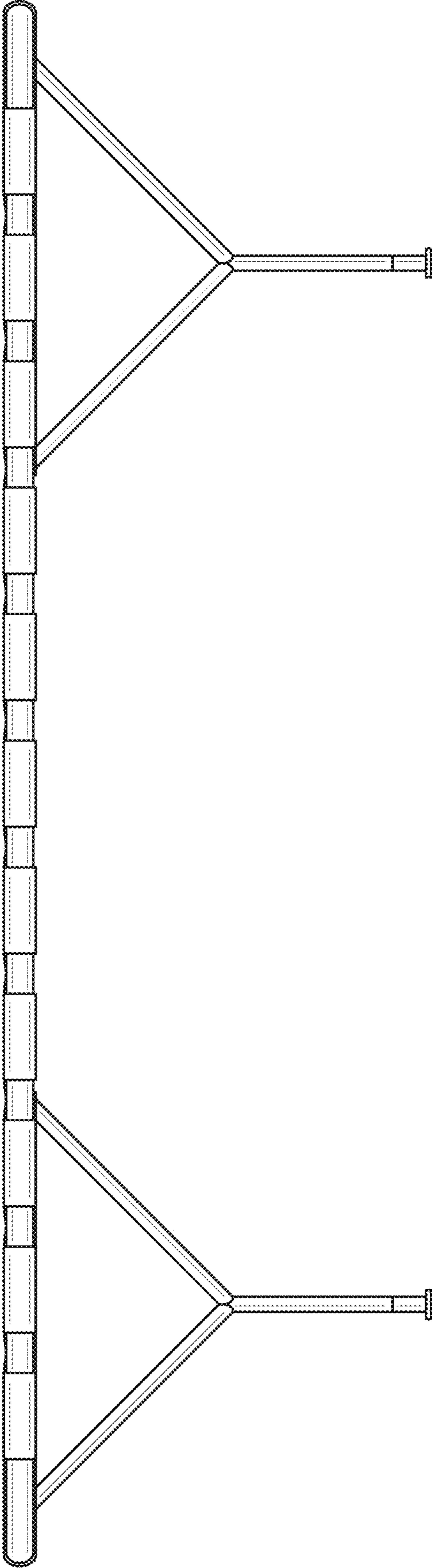


FIG. 3

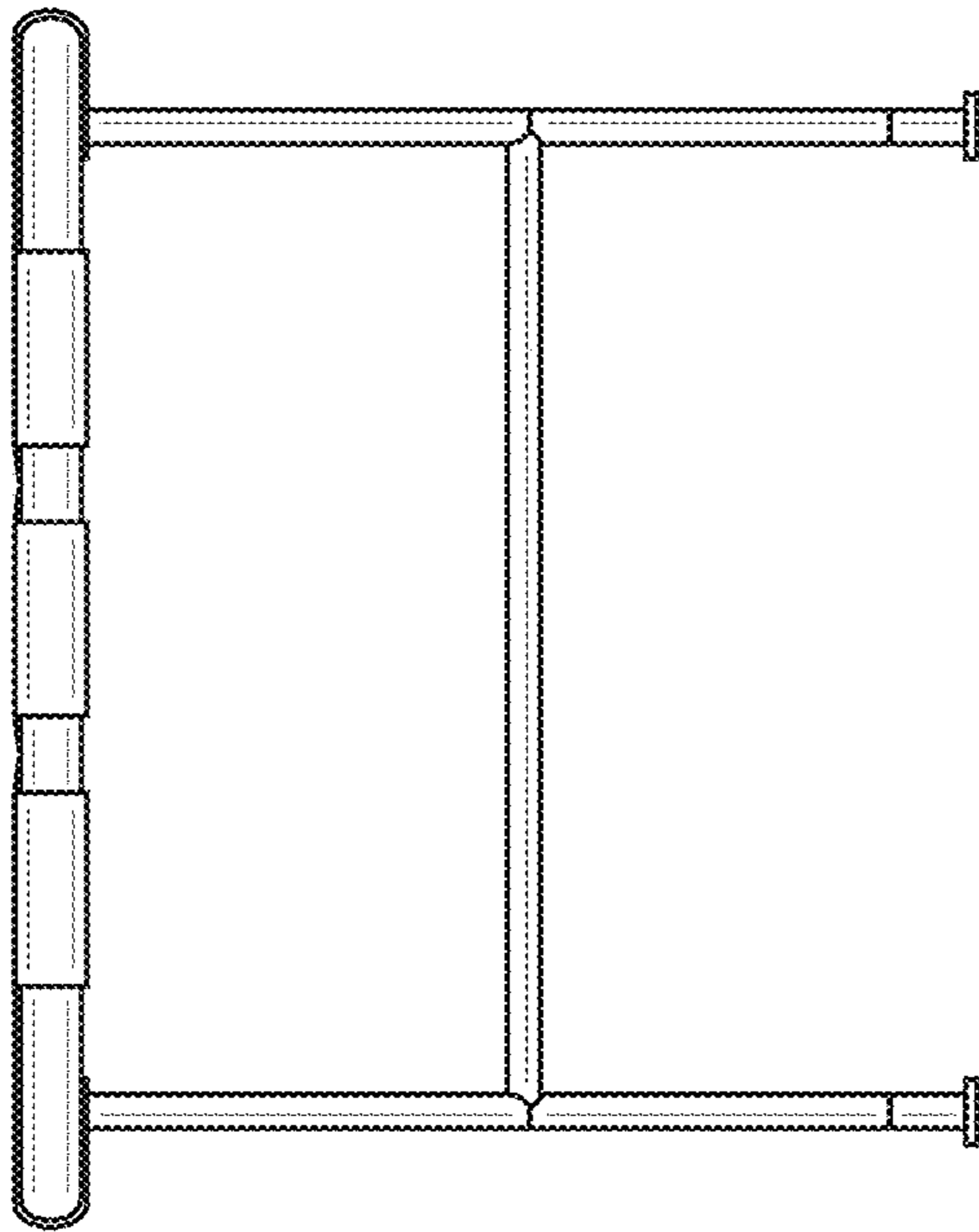


FIG. 4

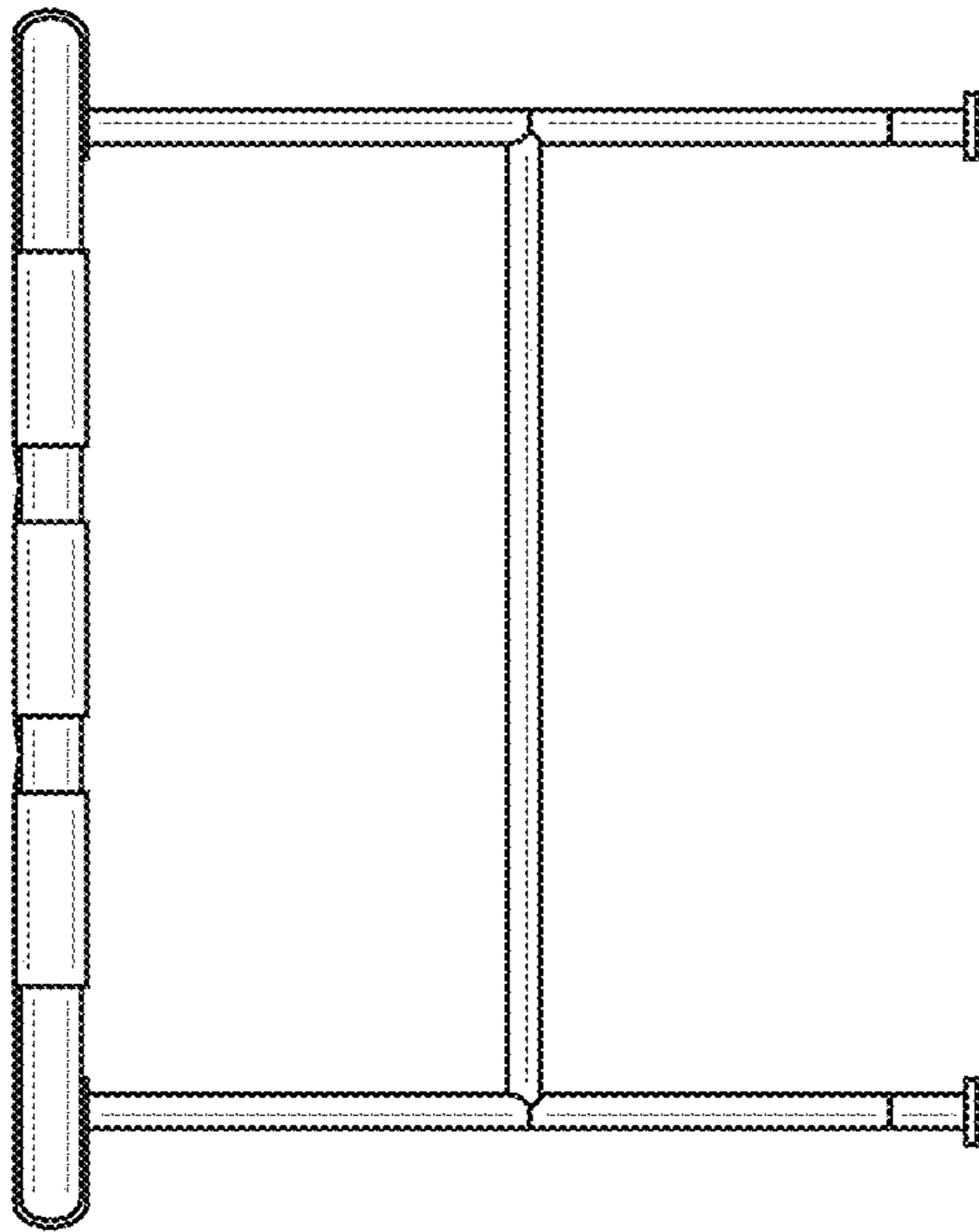


FIG. 5

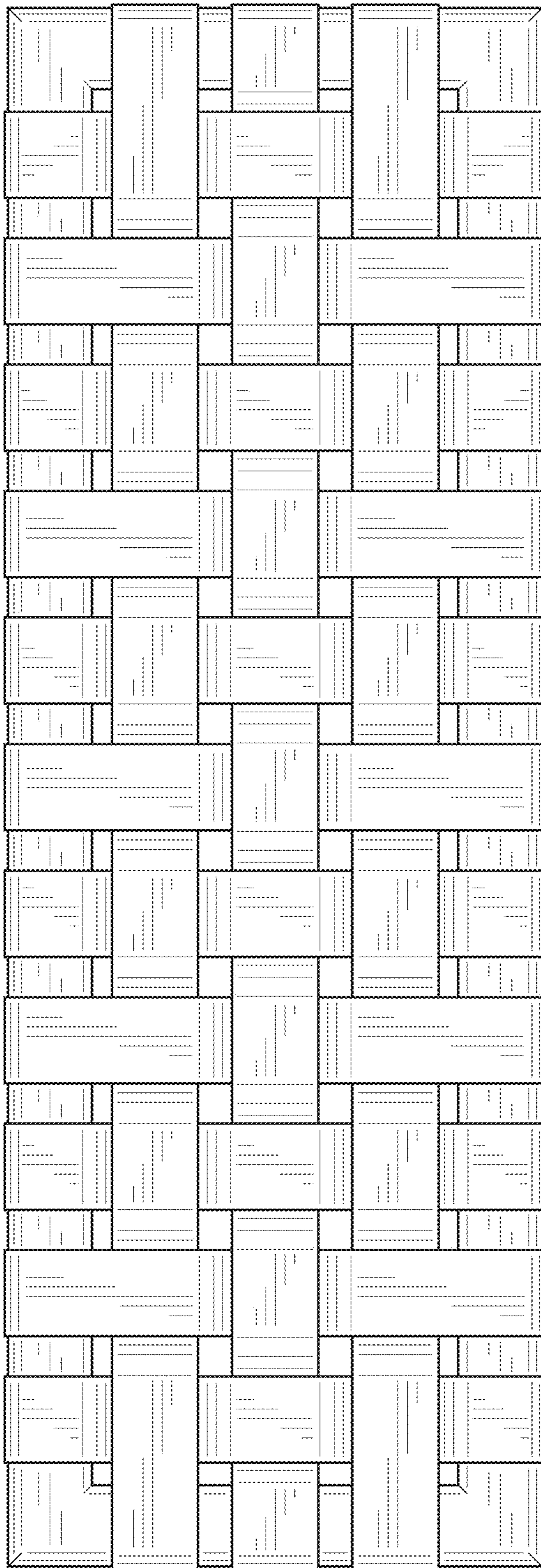


FIG. 6

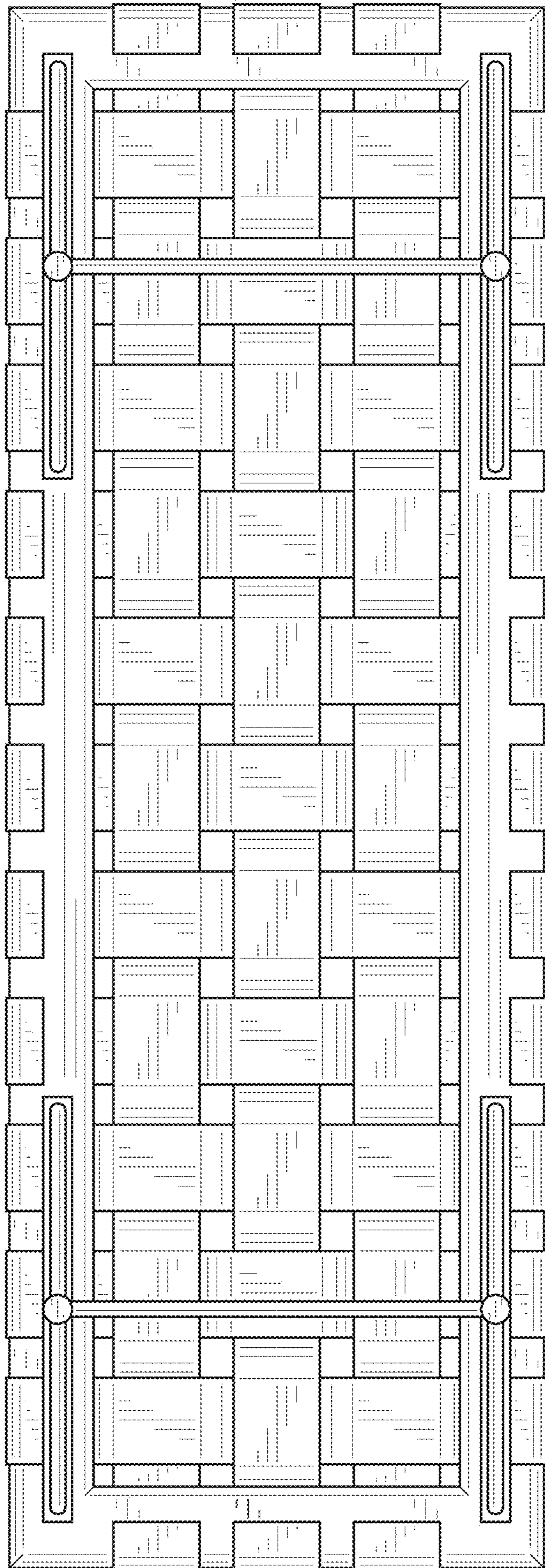


FIG. 7