



US00D904774S

(12) **United States Design Patent** (10) **Patent No.:** **US D904,774 S**  
**Hsu** (45) **Date of Patent:** **\*\* Dec. 15, 2020**

(54) **CHAIR**  
(71) Applicant: **SEAT-WELL ENTERPRISES CO., LTD.**, Taichung (TW)  
(72) Inventor: **Chen Hsiu Hsu**, Taichung (TW)  
(73) Assignee: **Seat-Well Enterprises Co., Ltd.**, Taichung (TW)

D623,430 S \* 9/2010 Walser ..... D6/349  
D764,200 S \* 8/2016 Elmaleh ..... D6/349  
D767,290 S \* 9/2016 Walser ..... D6/352  
D809,809 S \* 2/2018 Theesfeld ..... D6/352  
D812,918 S \* 3/2018 Walser ..... D6/352  
D824,682 S \* 8/2018 Zanayed ..... D6/352  
D829,456 S \* 10/2018 Chiu ..... D6/349  
10,517,401 B2 \* 12/2019 Zanayed ..... A47C 4/54  
D889,147 S \* 7/2020 Chiu ..... D6/352  
2007/0138850 A1 \* 6/2007 Oettinger ..... A47C 9/002  
297/271.5

(\*\*) Term: **15 Years**

\* cited by examiner

(21) Appl. No.: **29/670,671**

*Primary Examiner* — Cynthia Ramirez

(22) Filed: **Nov. 19, 2018**

*Assistant Examiner* — Xavier Marti-Santos

(51) **LOC (12) Cl.** ..... **06-01**

(74) *Attorney, Agent, or Firm* — Thomas J. Nikolai;  
DeWitt LLP

(52) **U.S. Cl.**  
USPC ..... **D6/349**; D6/334

(57) **CLAIM**

(58) **Field of Classification Search**  
USPC ..... D6/334, 349–353, 355, 364–365, 596,  
D6/601, 604

The ornamental design for a chair, as shown and described.

CPC ..... A47C 16/00; A47C 16/02; A47C 16/03;  
A47C 16/04; A47C 13/00; A47C 11/00;  
A47C 12/00; A47K 17/02; A47K 17/028;  
A47B 7/00; A47B 7/01; A47B 7/02  
See application file for complete search history.

**DESCRIPTION**

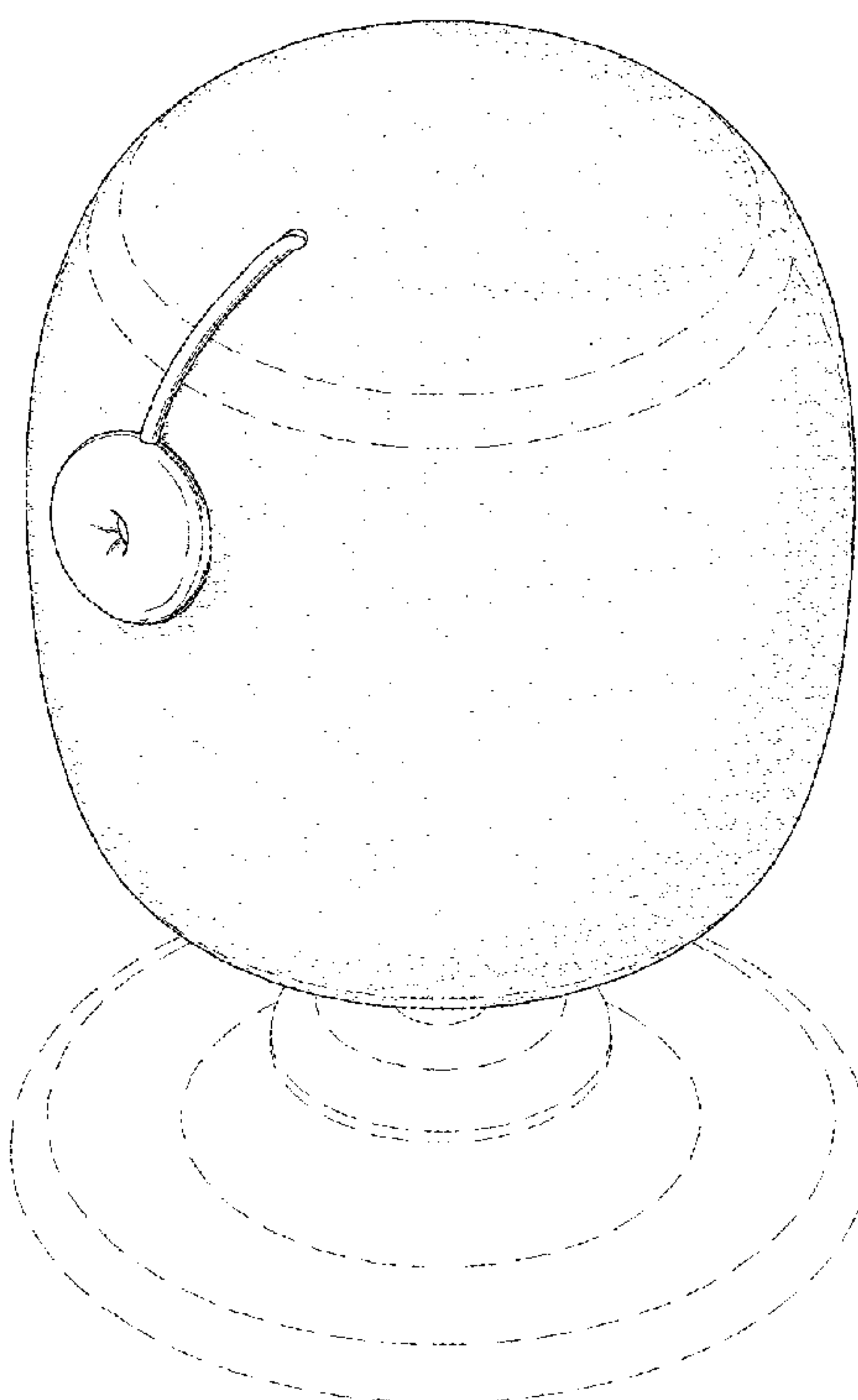
(56) **References Cited**

FIG. 1 is a perspective view of a chair showing my new design;  
FIG. 2 is a front elevational view thereof;  
FIG. 3 is a rear elevational view thereof;  
FIG. 4 is a left side elevation view thereof;  
FIG. 5 is a right side elevation view thereof;  
FIG. 6 is a top plan view thereof; and  
FIG. 7 is a bottom plan view thereof; and,  
FIG. 8 is a perspective view of a chair in an alternate position.  
The broken lines in the drawings show portions of the chair which form no part of the claimed design.

**U.S. PATENT DOCUMENTS**

5,044,587 A \* 9/1991 Degen ..... A47C 3/025  
108/150  
6,220,663 B1 \* 4/2001 Benden ..... A47C 7/467  
297/284.6  
D536,542 S \* 2/2007 Chiu ..... D6/352

**1 Claim, 5 Drawing Sheets**



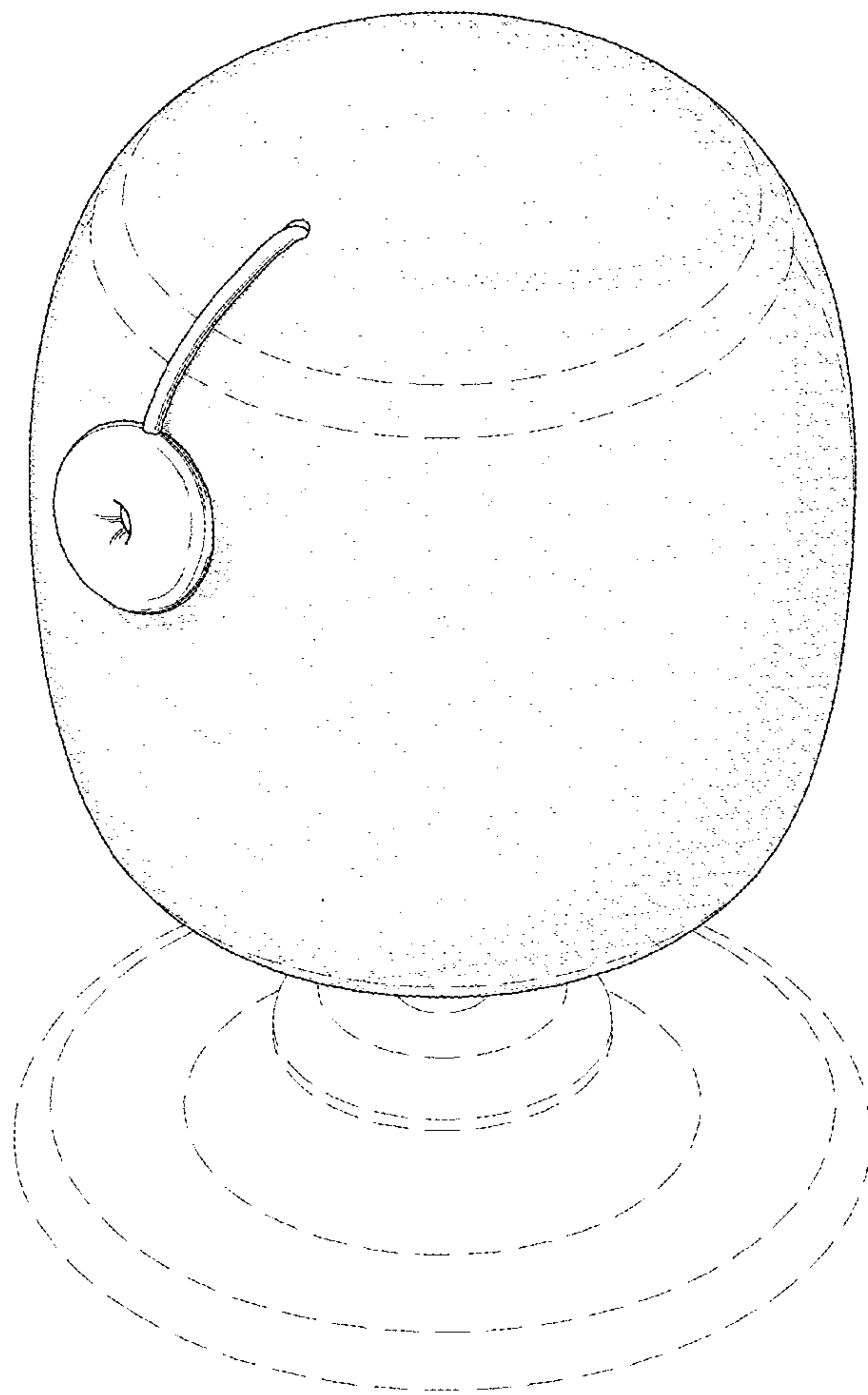


FIG. 1

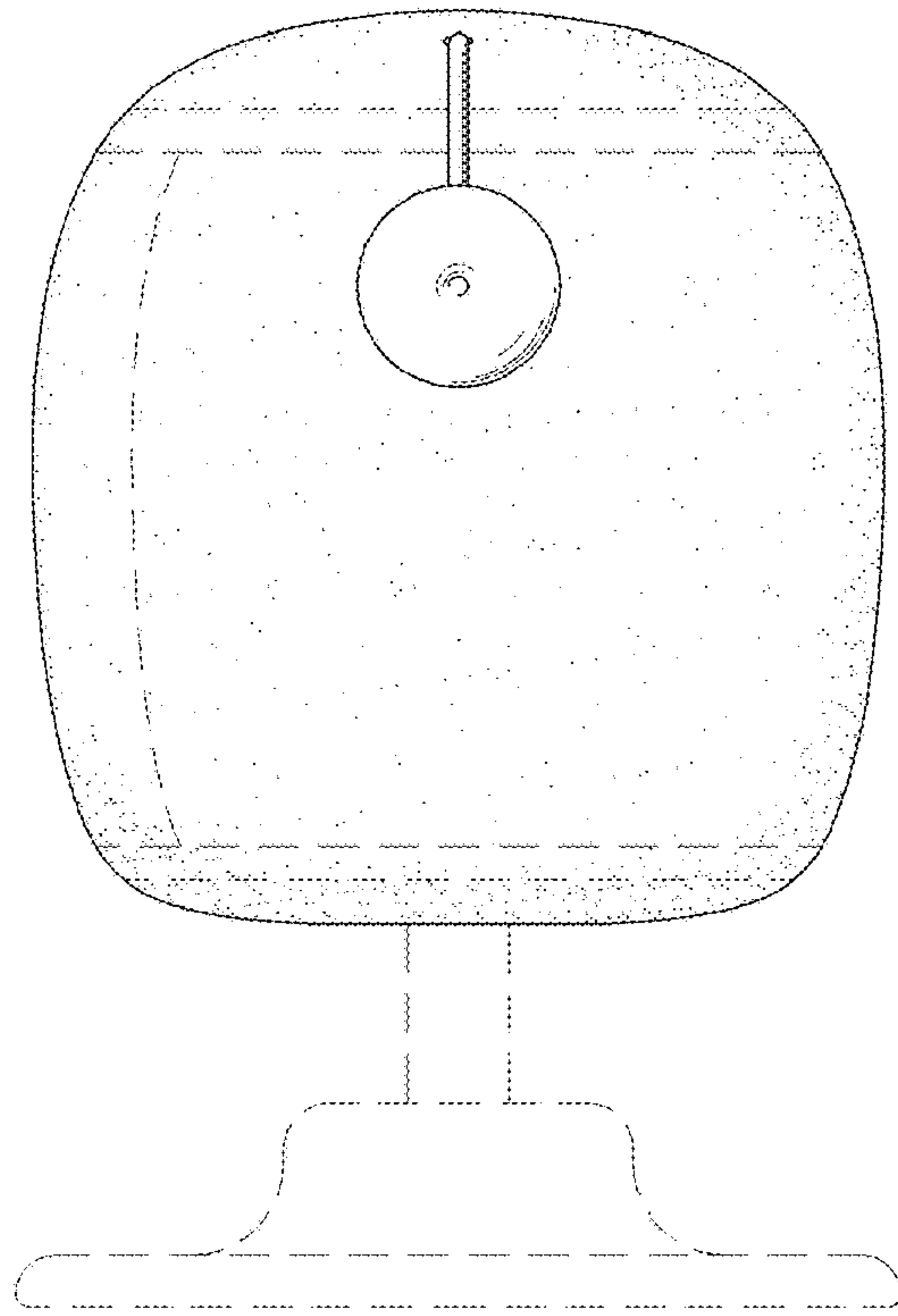


FIG. 2

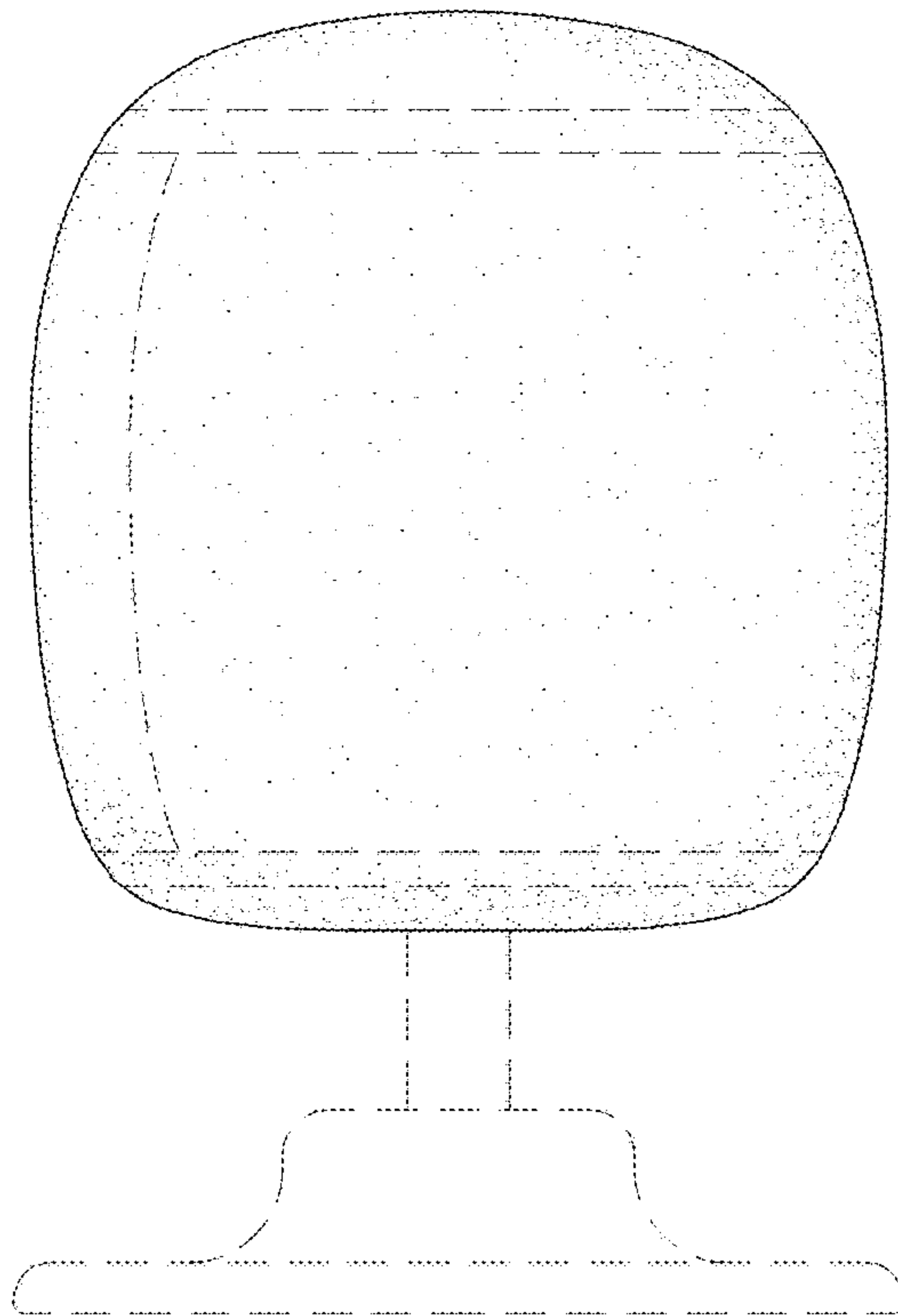


FIG. 3

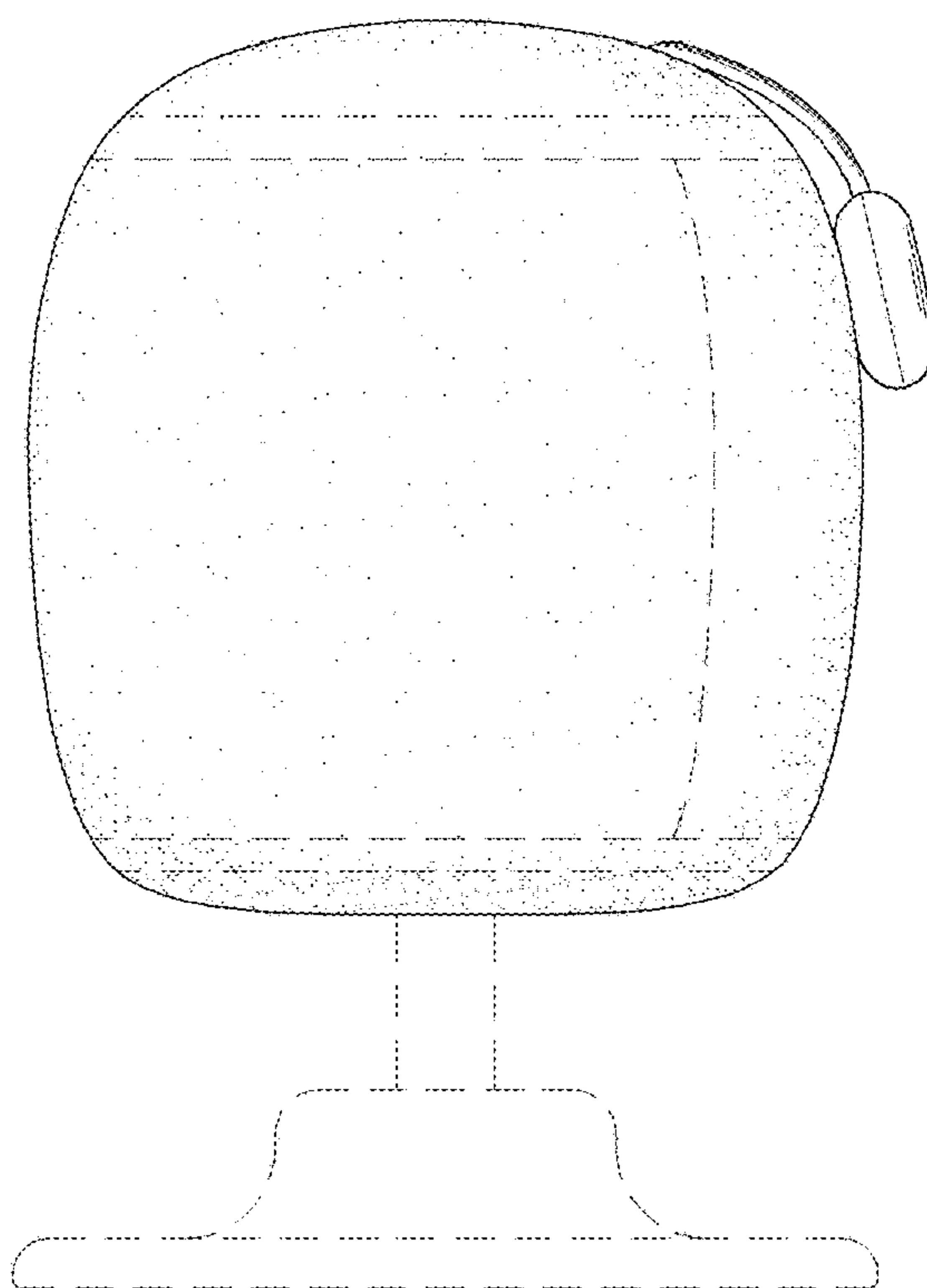


FIG. 4

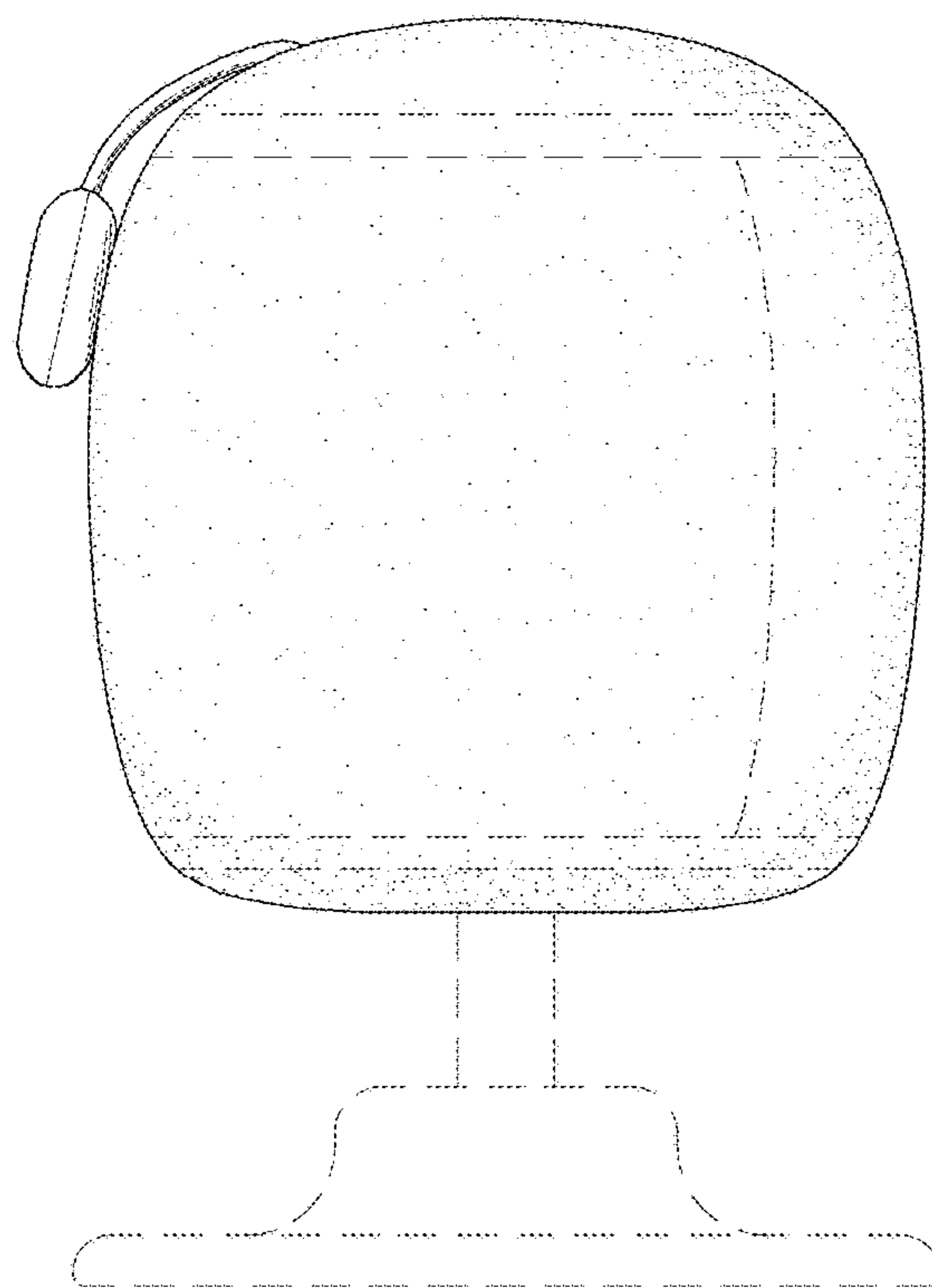


FIG. 5

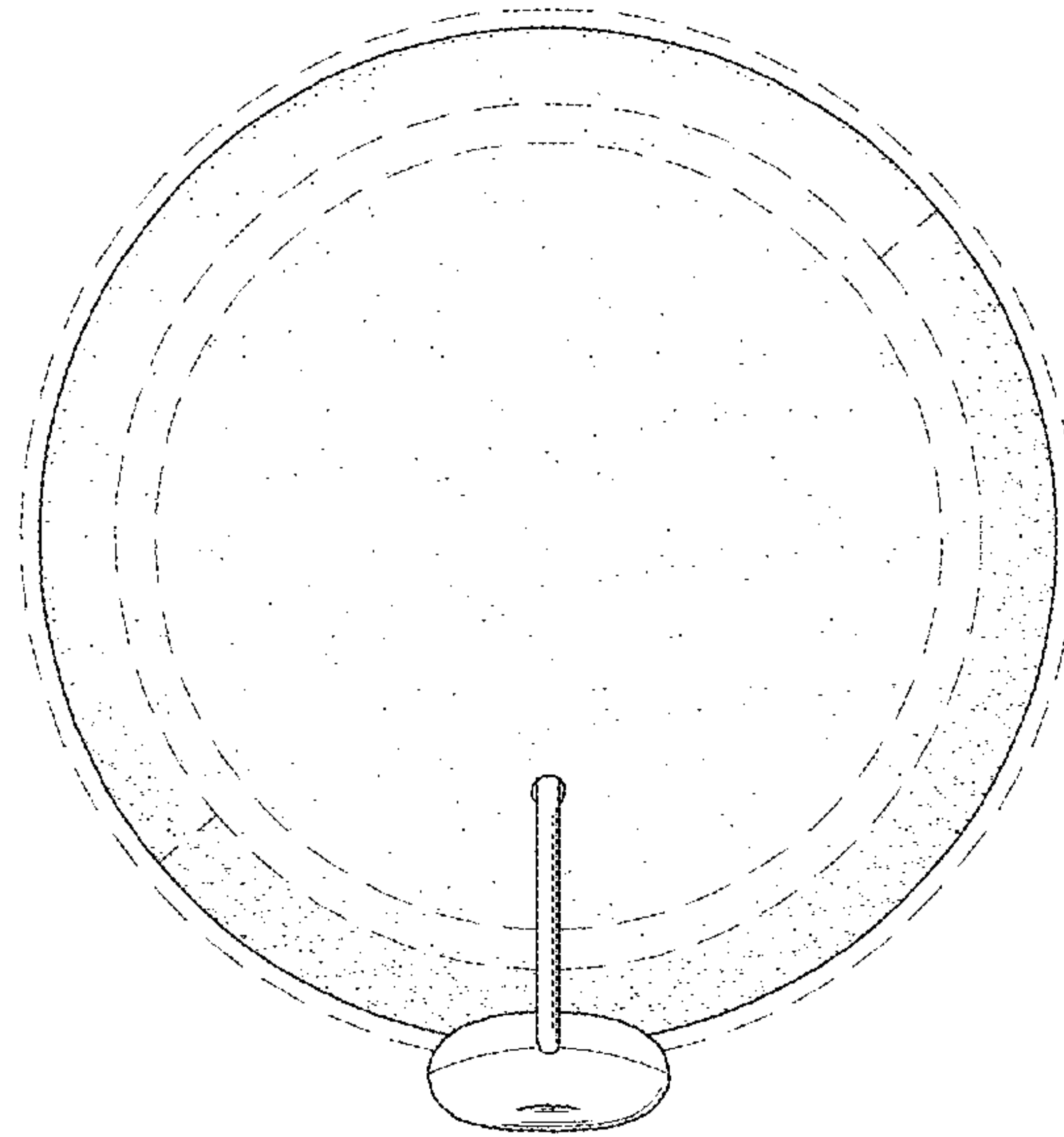


FIG. 6

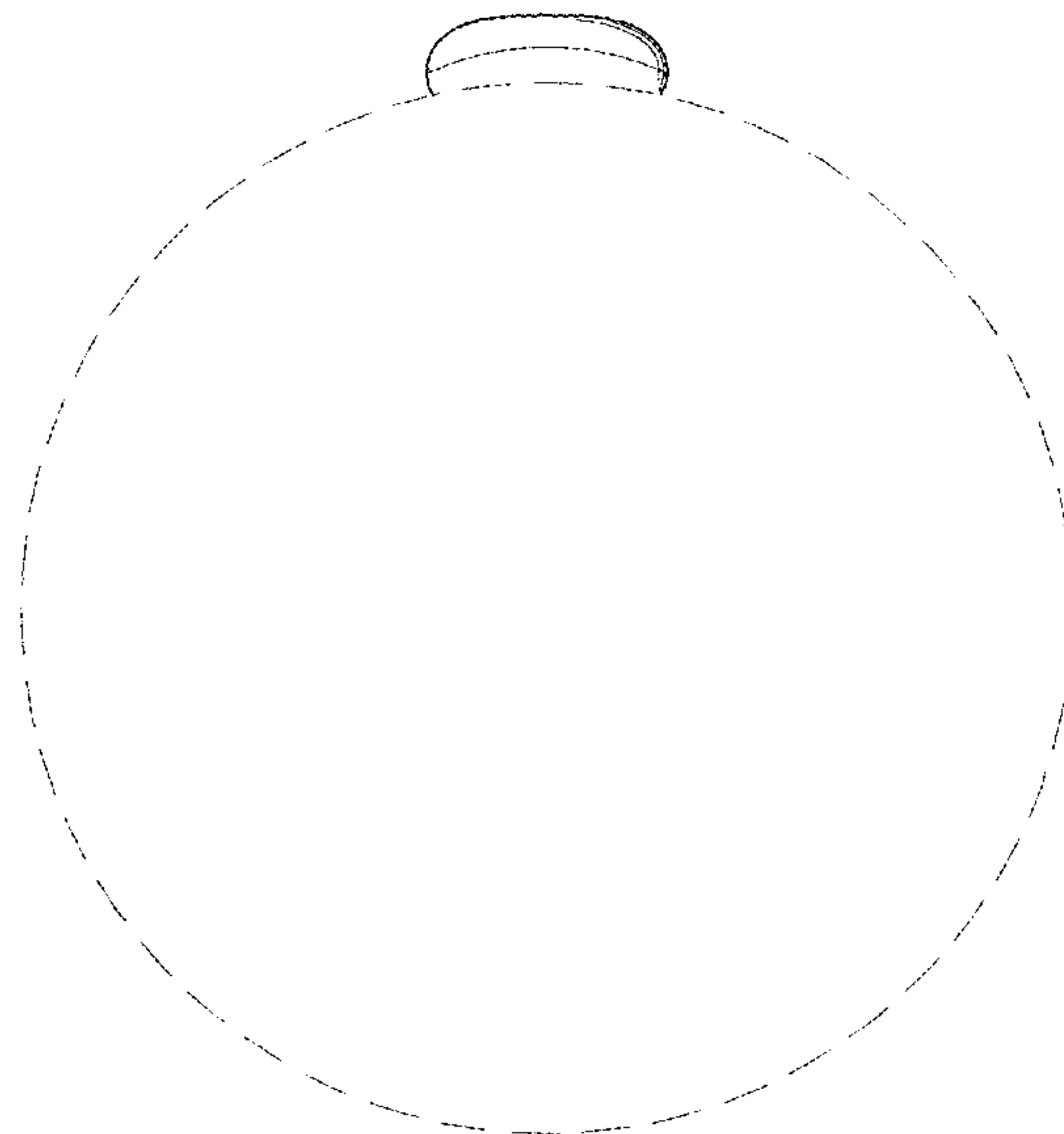


FIG. 7

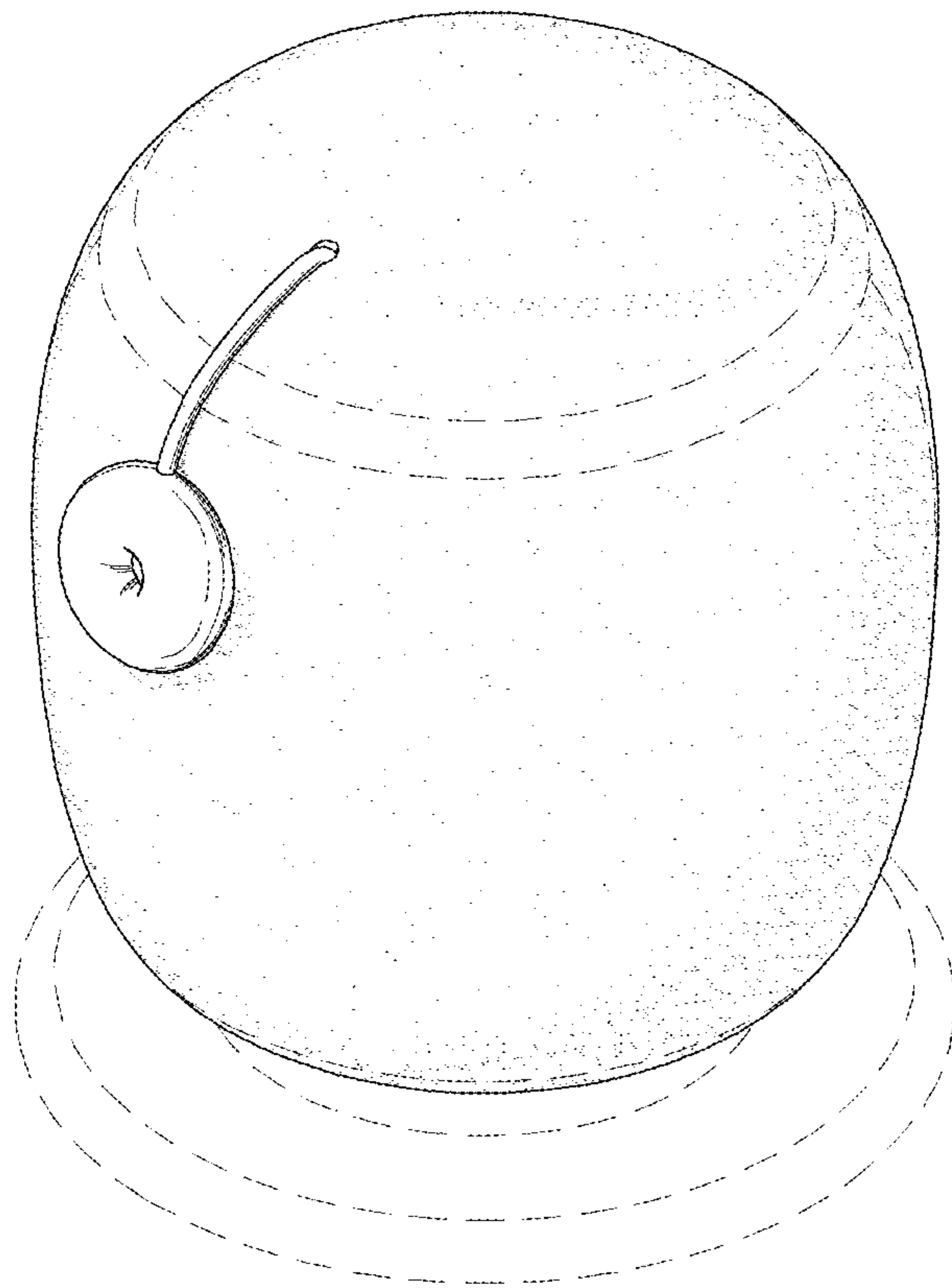


FIG. 8