



US00D904773S

(12) **United States Design Patent** (10) **Patent No.:** **US D904,773 S**
Kanthasamy (45) **Date of Patent:** **** Dec. 15, 2020**

(54) **PULL-OUT SOFA BED WITH FLARED ARM**

FOREIGN PATENT DOCUMENTS

(71) Applicant: **Abedan Kanthasamy**, Mississauga (CA)

CN 109907574 * 3/2019

Primary Examiner — Cynthia Ramirez
Assistant Examiner — Xavier Marti-Santos

(72) Inventor: **Abedan Kanthasamy**, Mississauga (CA)

(74) *Attorney, Agent, or Firm* — Harness, Dickey & Pierce, P.L.C.

(**) Term: **15 Years**

(57) **CLAIM**

The ornamental design for a pull-out sofa bed with flared arm, as shown and described.

(21) Appl. No.: **29/682,064**

DESCRIPTION

(22) Filed: **Mar. 1, 2019**

(30) **Foreign Application Priority Data**

Feb. 19, 2019 (CA) 186155

(51) **LOC (12) Cl.** **06-01**

(52) **U.S. Cl.**

USPC **D6/335**; D6/381

(58) **Field of Classification Search**

USPC D6/334, 335, 374, 375, 381

CPC A47C 1/00; A47C 1/02; A47C 1/04; A47C

17/02; A47C 17/04; A47C 17/045; A47C

17/13; A47C 17/132; A47C 17/134; A47C

17/161; A47C 17/162; A47C 17/163;

A47C 17/17; A47C 17/16; A47C 17/18;

A47C 17/20; A47C 17/86

See application file for complete search history.

(56) **References Cited**

U.S. PATENT DOCUMENTS

2,111,415 A * 3/1938 Arton A47C 17/16

5/44.1

4,067,073 A * 1/1978 Komarov A47C 4/028

5/13

D399,363 S * 10/1998 Natuzzi D6/381

D552,860 S * 10/2007 Ricci D6/334

D578,794 S * 10/2008 Ricci D6/381

D640,480 S * 6/2011 Bush D6/381

(Continued)

FIG. 1 is a front view of the pull-out sofa bed with flared arm in a first position;

FIG. 2 is a front perspective view of the pull-out sofa bed with flared arm in the first position;

FIG. 3 is a front perspective view of the pull-out sofa bed with flared arm in a second position;

FIG. 4 is a front perspective view of the pull-out sofa bed with flared arm in a third position;

FIG. 5 is a front perspective view of the pull-out sofa bed with flared arm in a fourth position;

FIG. 6 is a front perspective view of the pull-out sofa bed with flared arm in a fifth position;

FIG. 7 is a front perspective view of the pull-out sofa bed with flared arm in a sixth position;

FIG. 8 is a front perspective view of the pull-out sofa bed with flared arm in a seventh position;

FIG. 9 is a left side view of the pull-out sofa bed with flared arm in the third position;

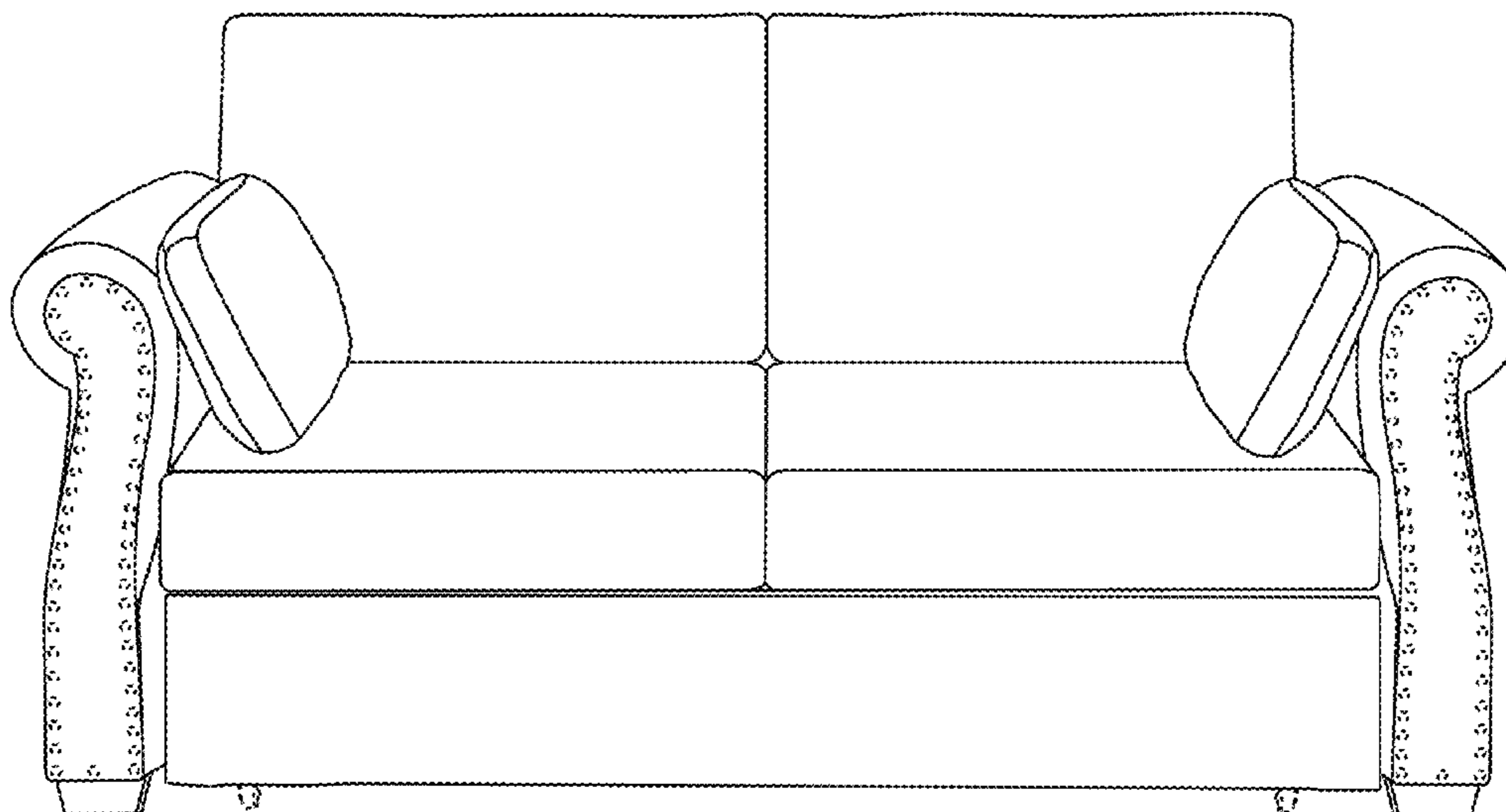
FIG. 10 is a right side view of the pull-out sofa bed with flared arm in the third position;

FIG. 11 is a left side view of the pull-out sofa bed with flared arm in the fifth position; and,

FIG. 12 is a right side view of the pull-out sofa bed with flared arm in the fifth position.

The broken lines showing in FIGS. 1-12 are to show portions of the pull-out sofa bed with flared arm, which form no part of the claimed design.

1 Claim, 12 Drawing Sheets



(56)

References Cited

U.S. PATENT DOCUMENTS

D719,753 S *	12/2014	Pathiratne	D6/381
D799,221 S *	10/2017	Pathiratne	D6/335
D811,100 S *	2/2018	Andersen	D6/335
D841,992 S *	3/2019	Kershner	D6/335
10,537,183 B2 *	1/2020	Nault	A47C 17/16
D874,837 S *	2/2020	Andersen	D6/335

* cited by examiner

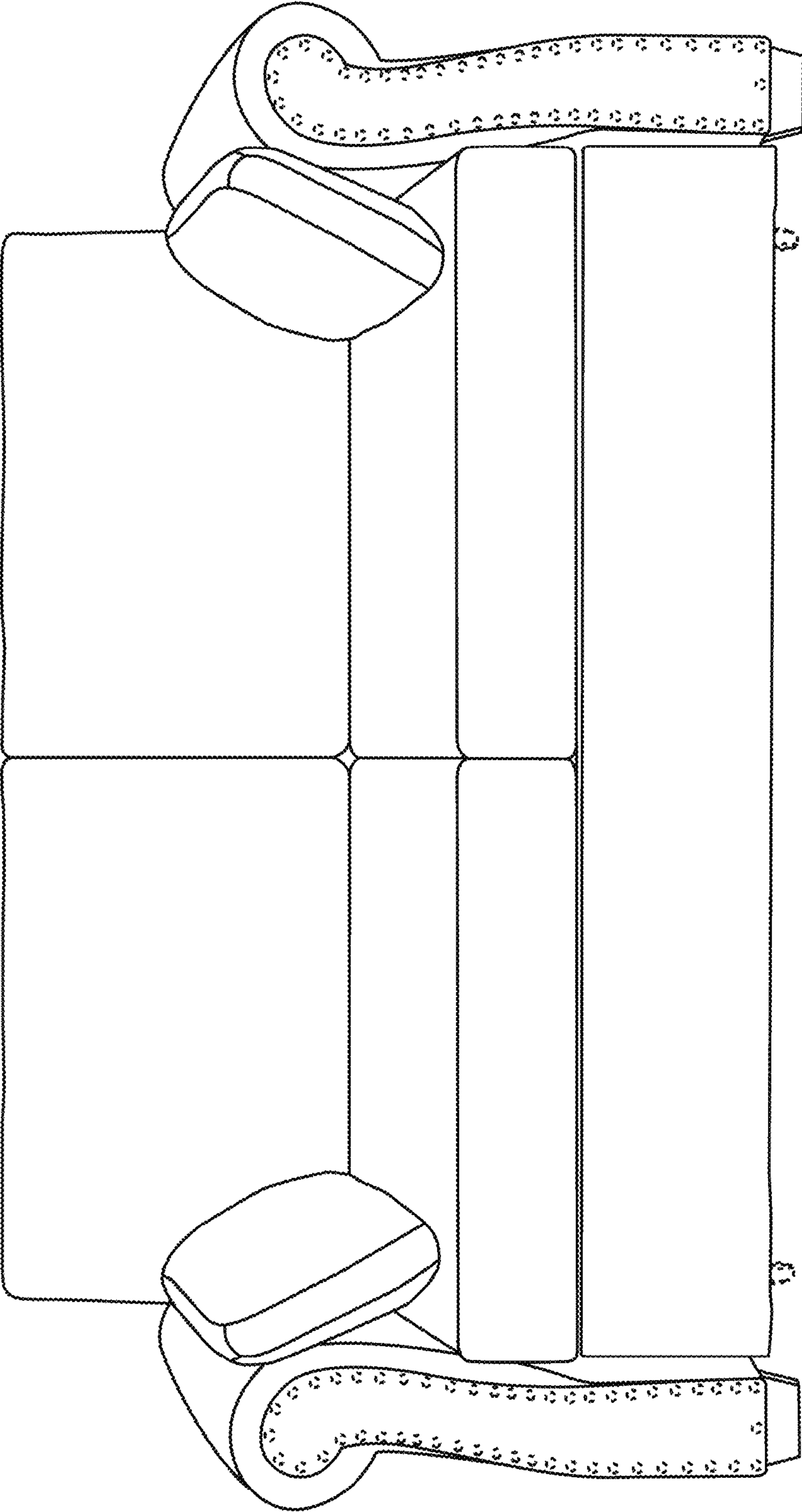


FIG. 1

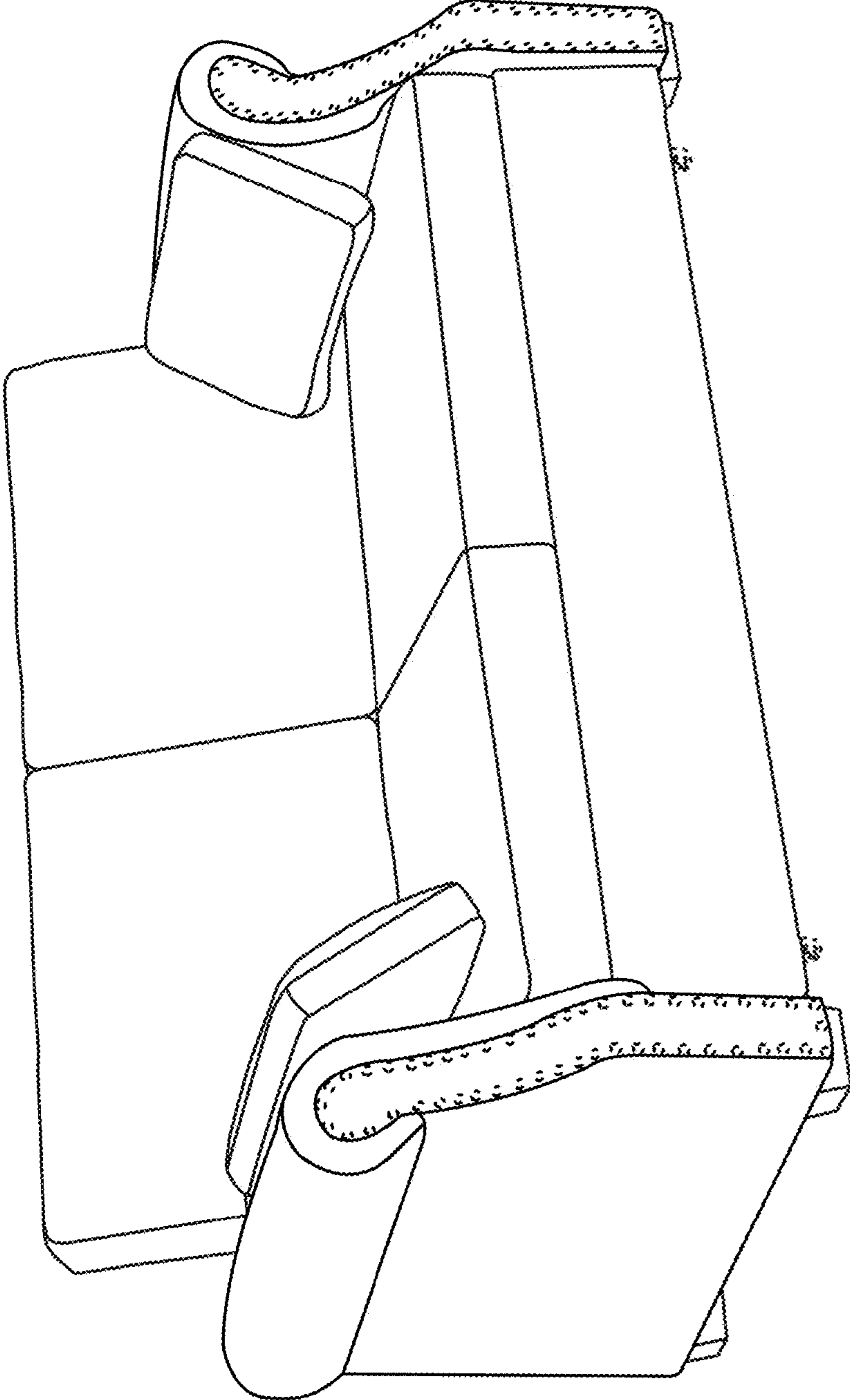


FIG. 2

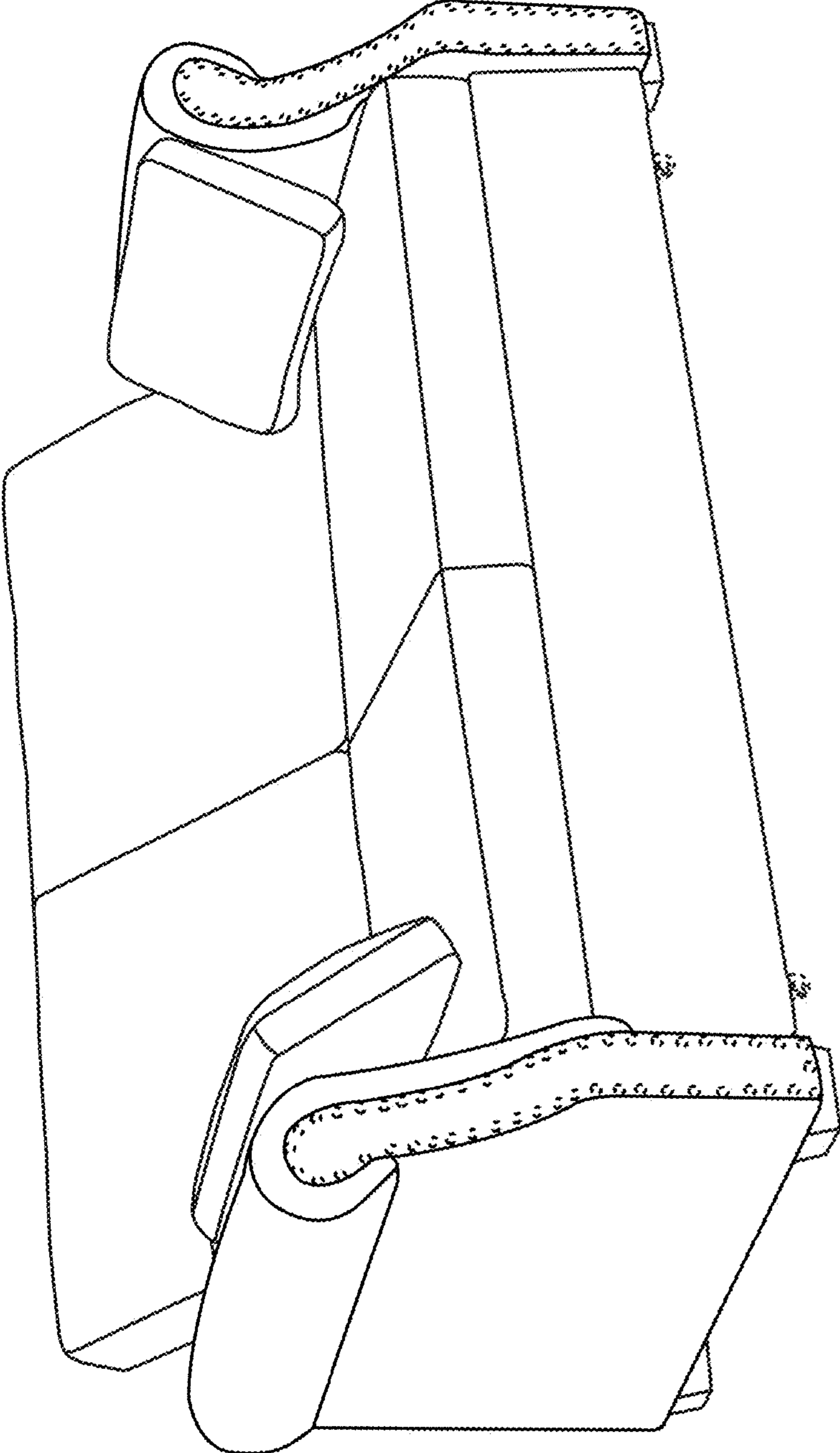


FIG. 3

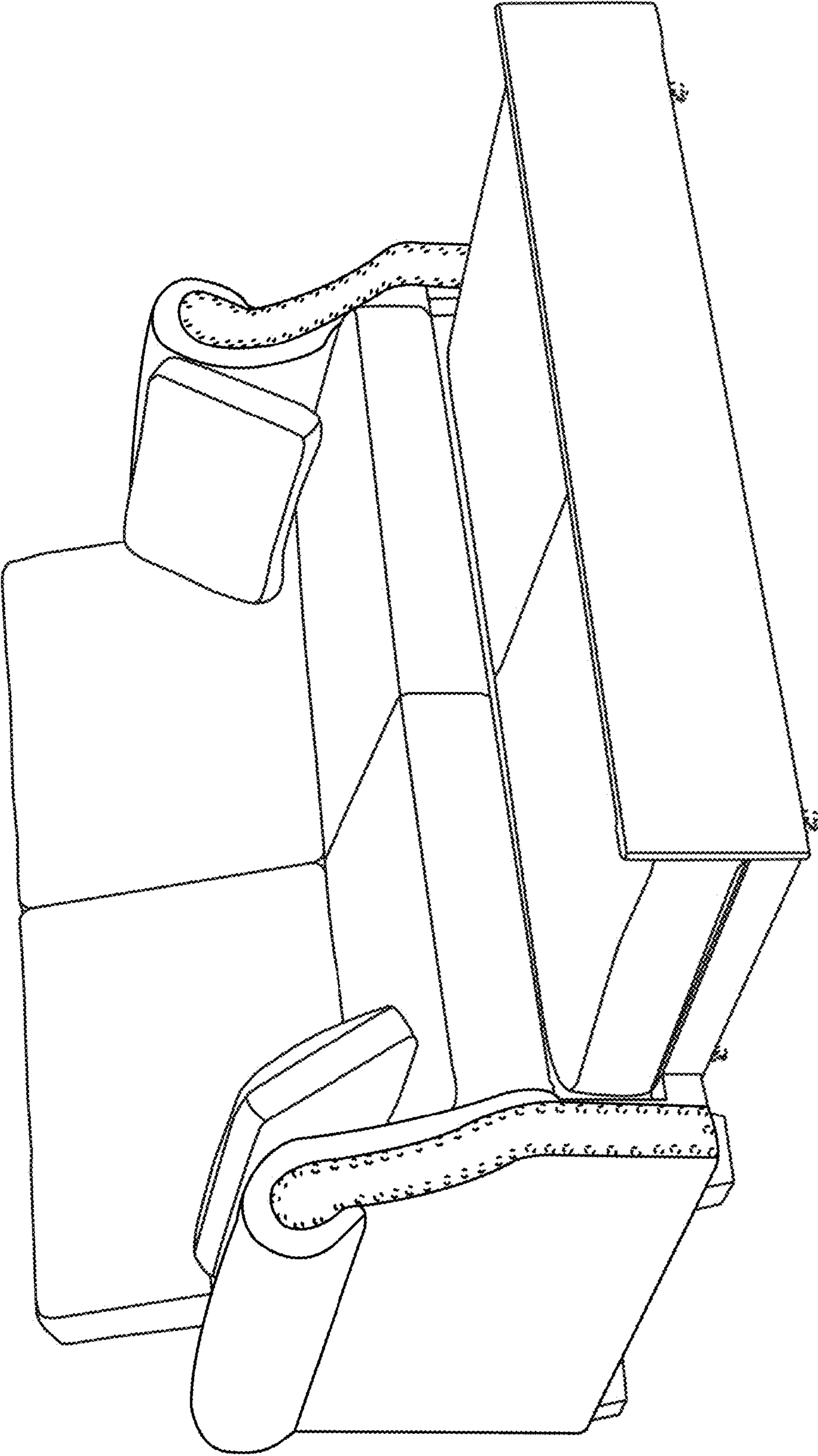


FIG. 4

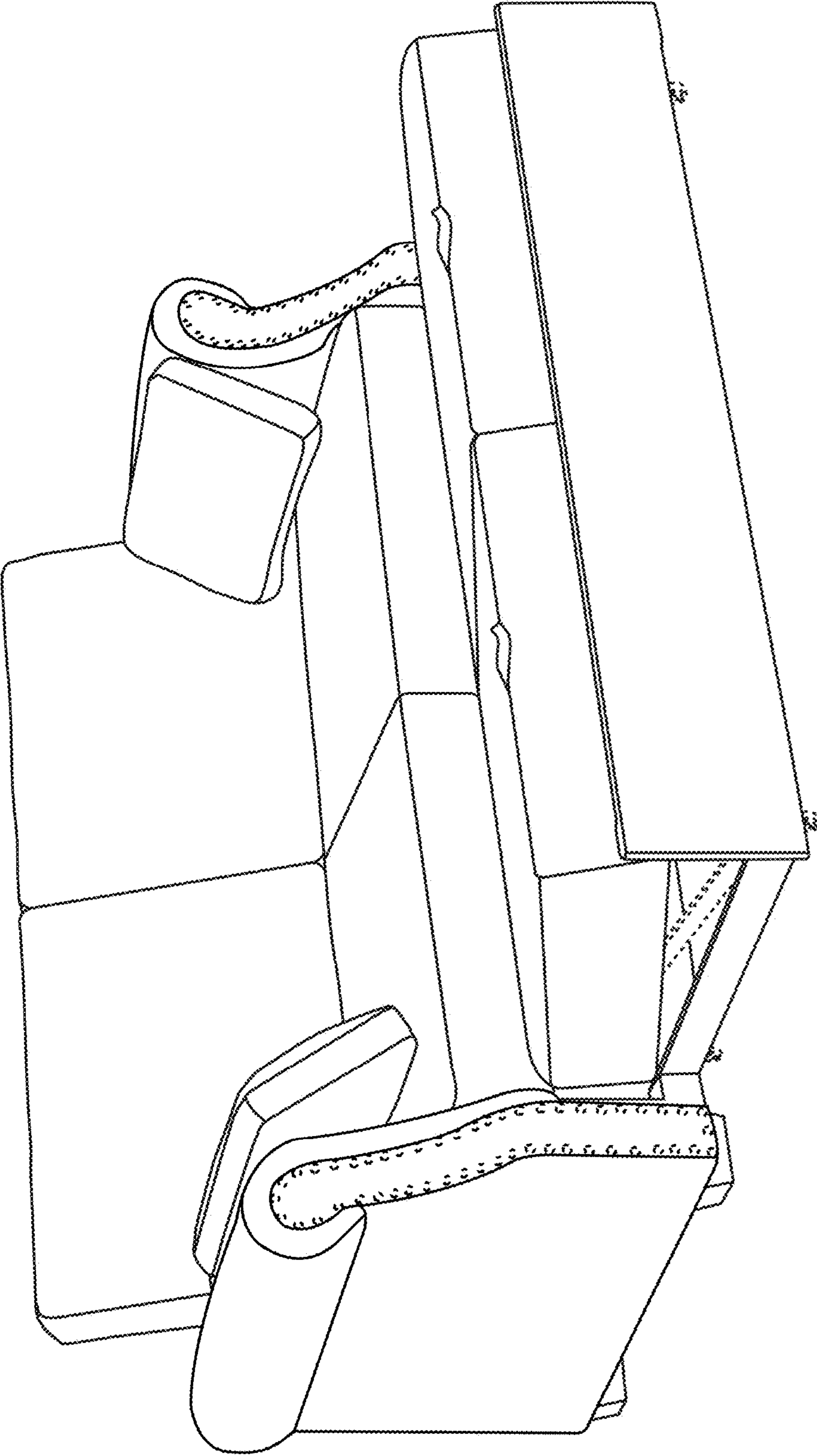


FIG. 5

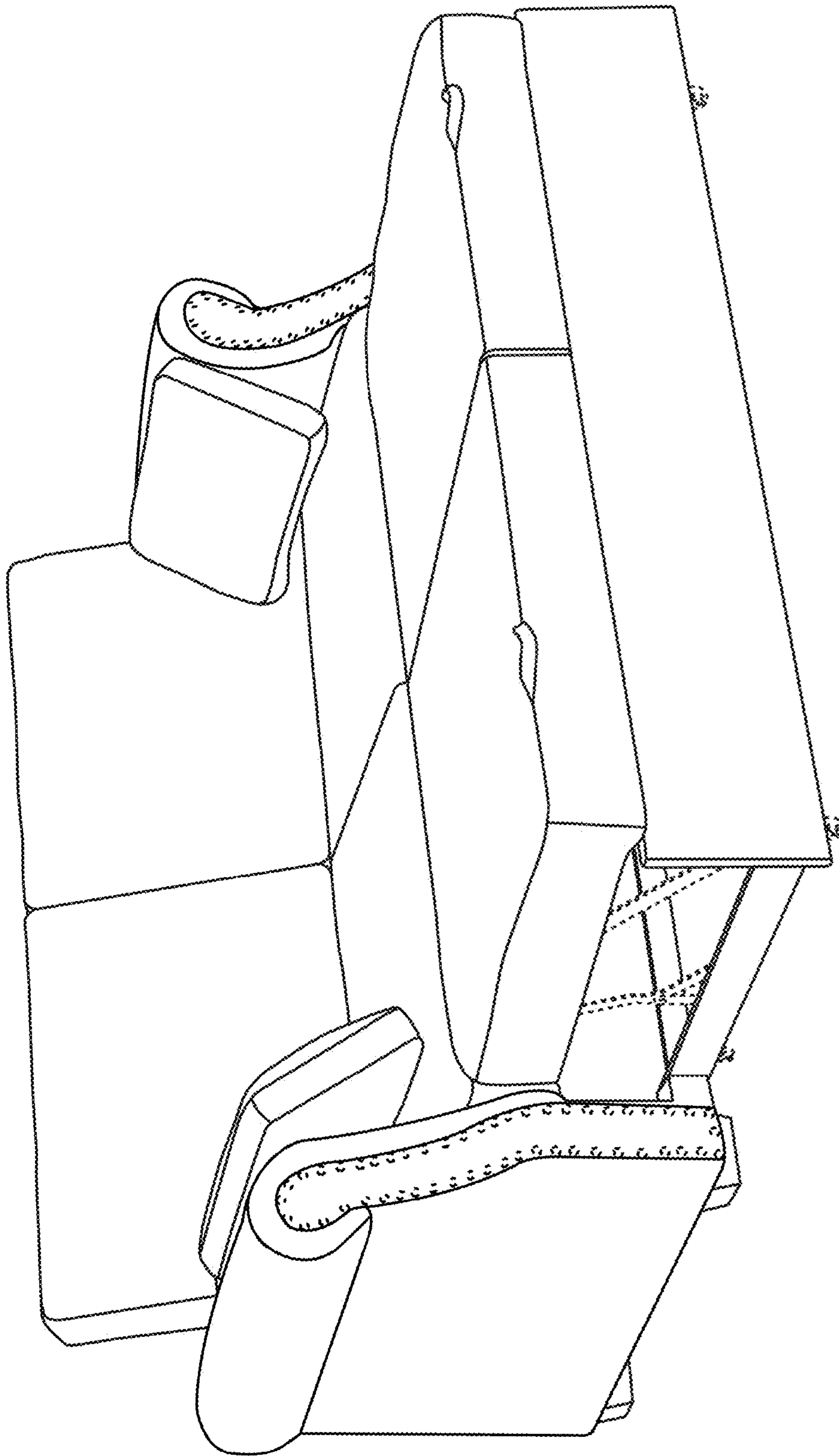


FIG. 6

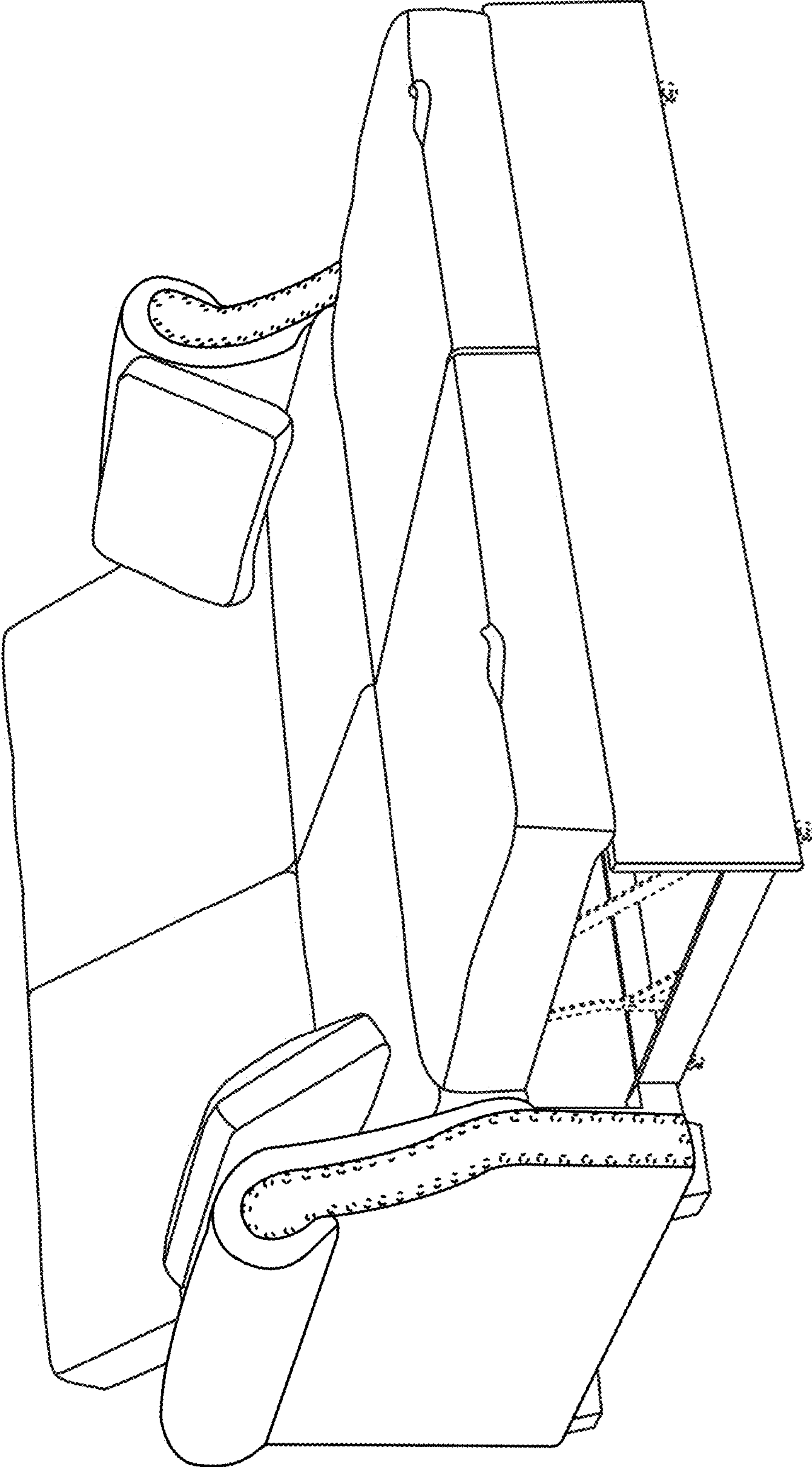


FIG. 7

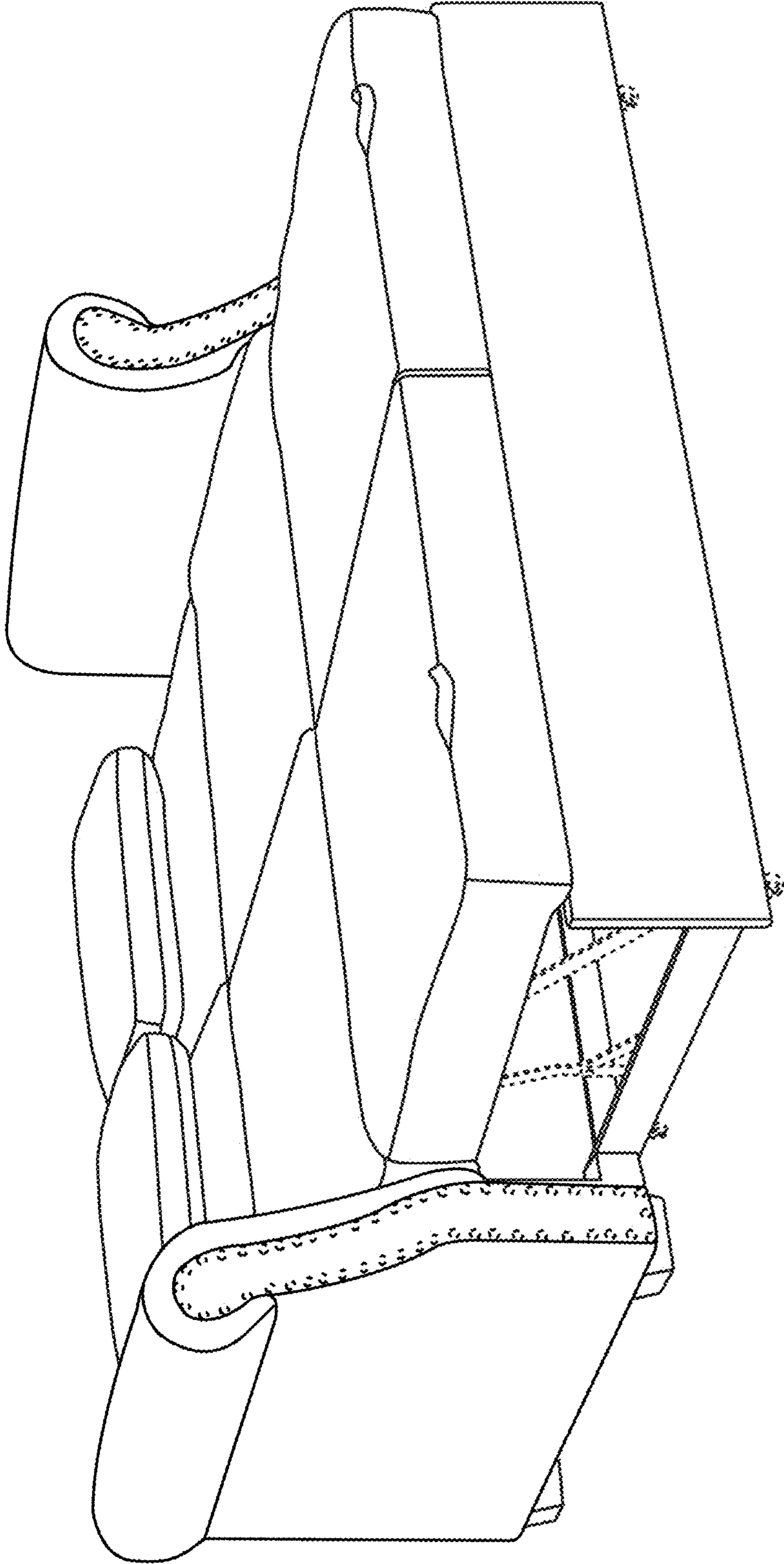


FIG. 8

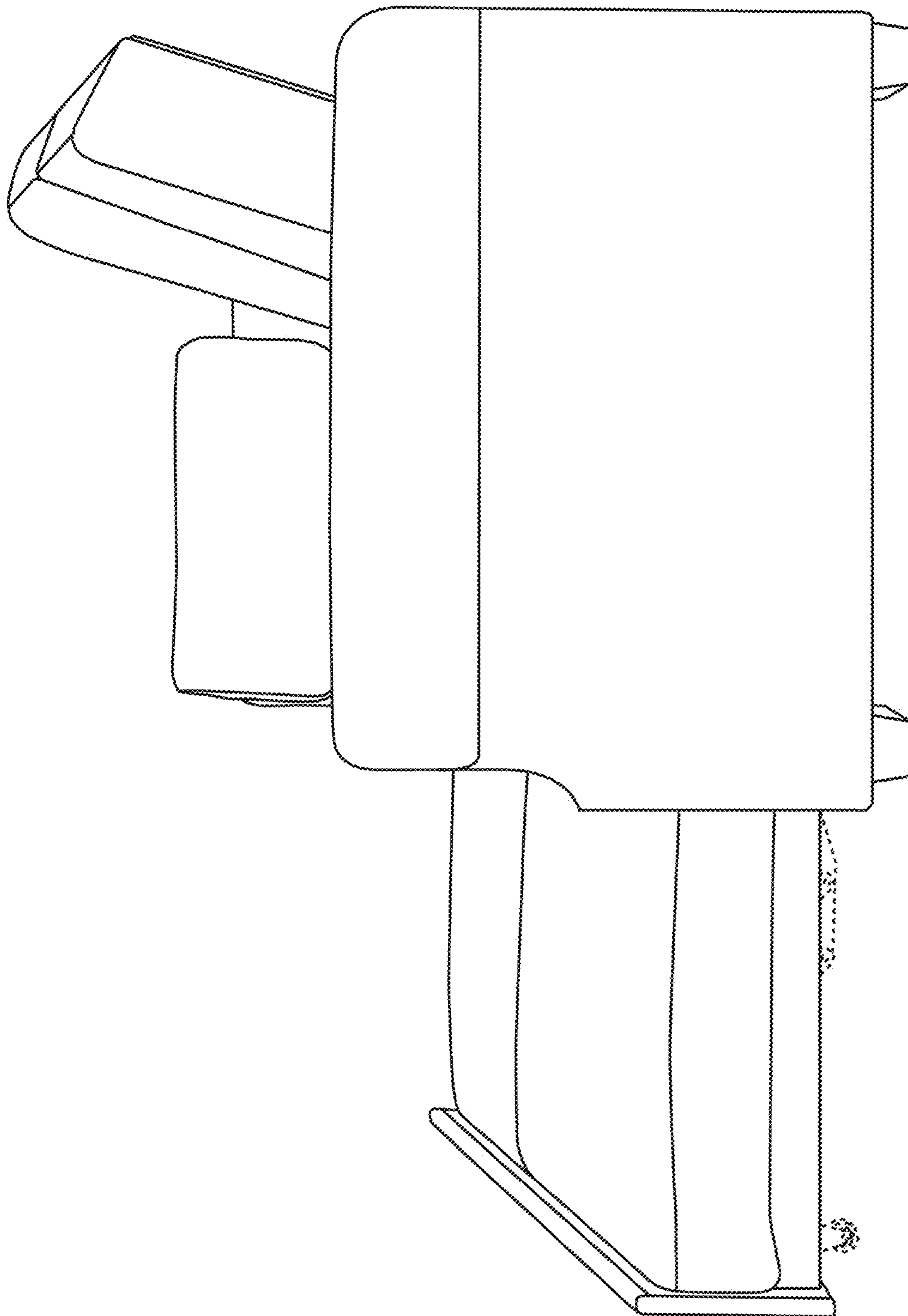


FIG. 9

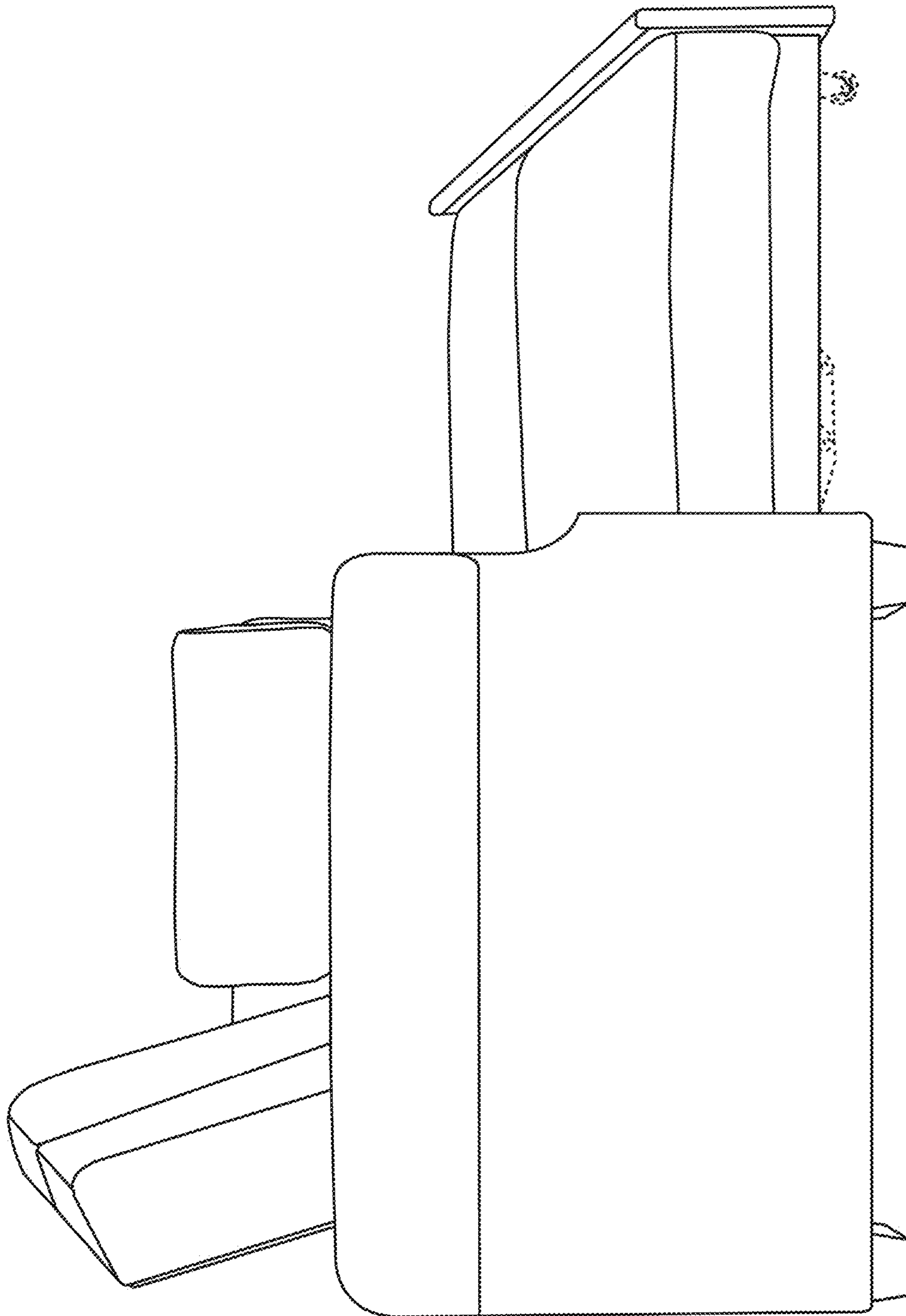


FIG. 10

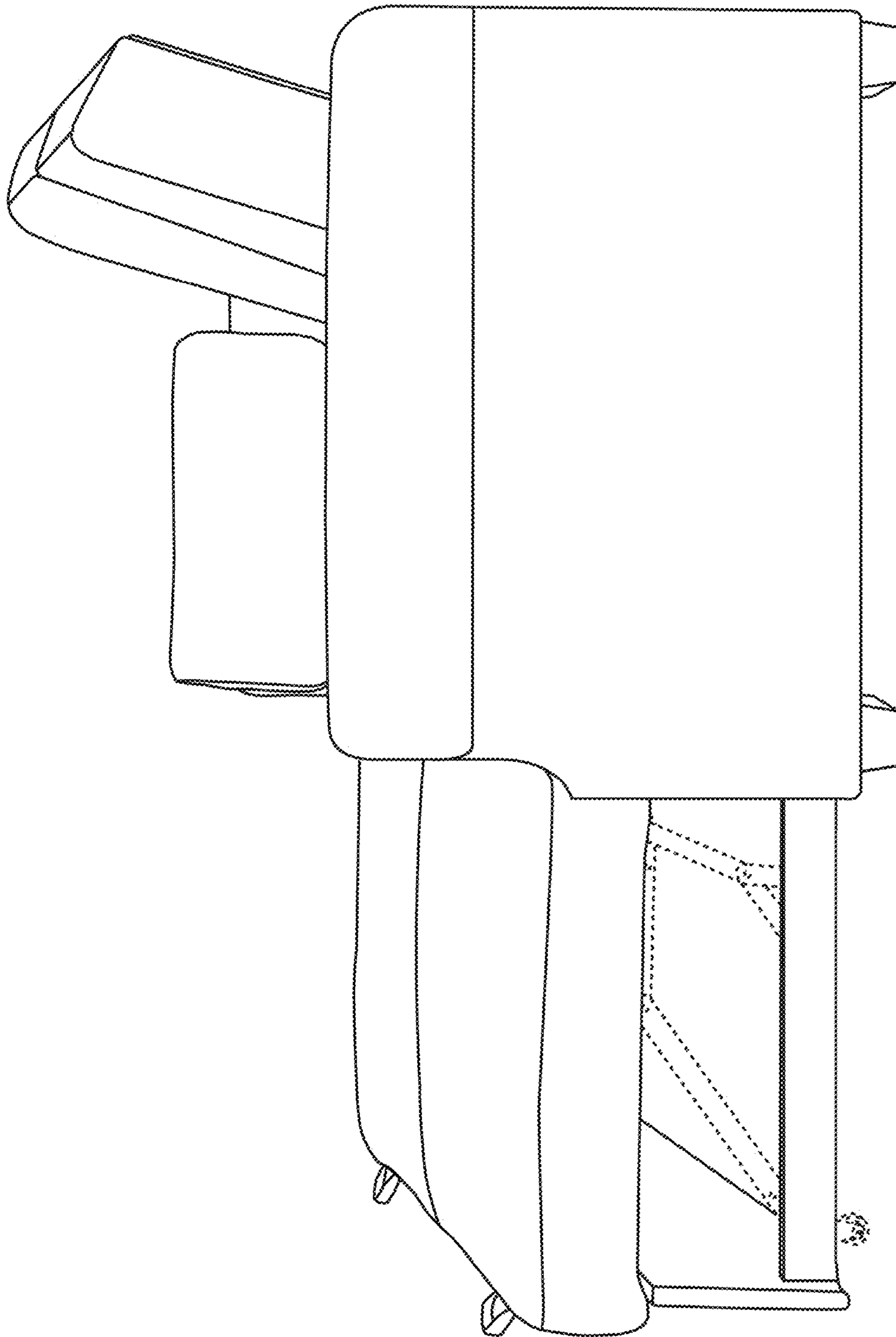


FIG. 11

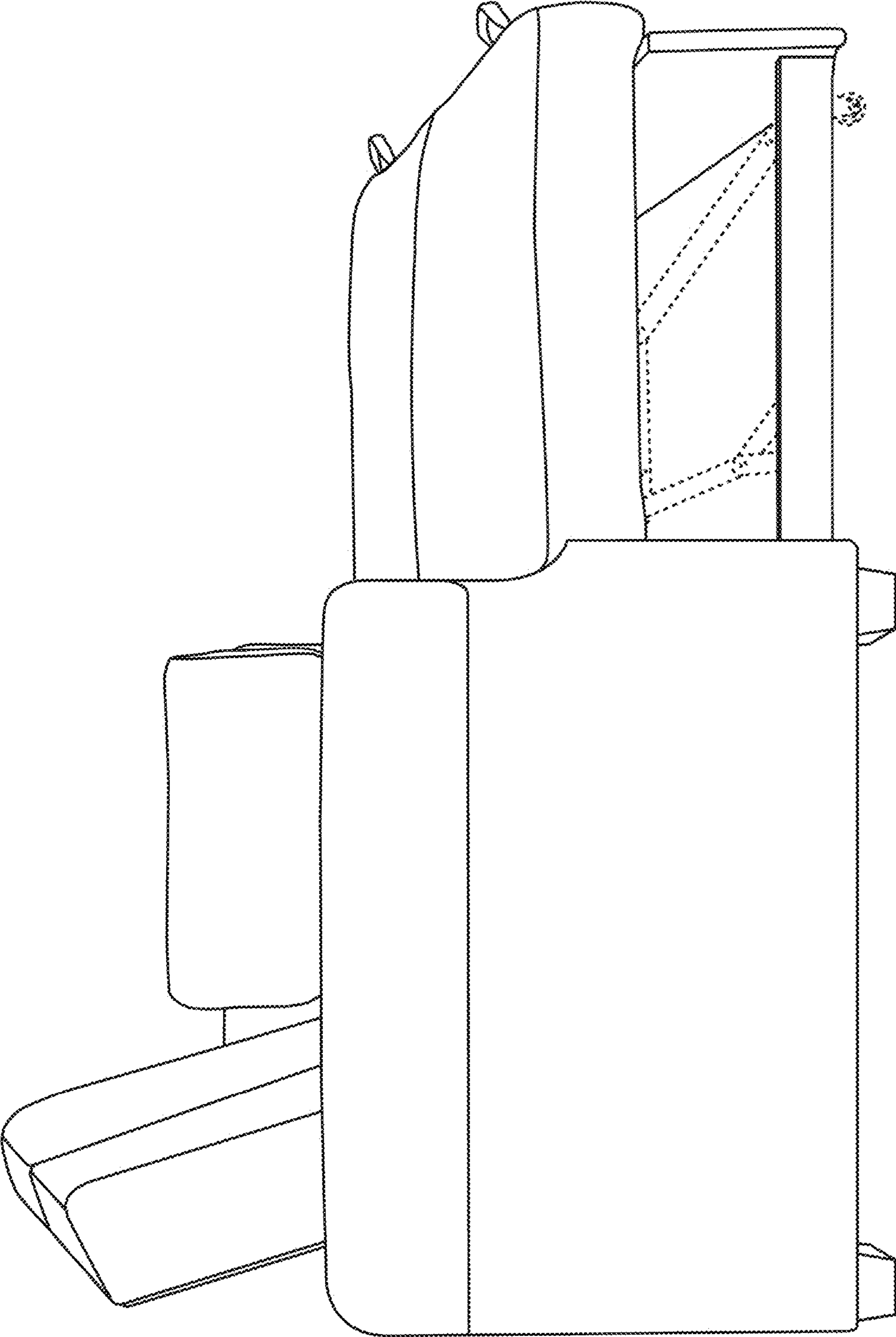


FIG. 12