



US00D904772S

(12) **United States Design Patent** (10) **Patent No.:** **US D904,772 S**
Kanthasamy (45) **Date of Patent:** **** *Dec. 15, 2020**

(54) **CONVERTIBLE SOFA WITH PULL-OUT BED AND FOLDABLE TRAY**

(71) Applicant: **Abedan Kanthasamy**, Mississauga (CA)

(72) Inventor: **Abedan Kanthasamy**, Mississauga (CA)

(*) Notice: This patent is subject to a terminal disclaimer.

(**) Term: **15 Years**

(21) Appl. No.: **29/680,386**

(22) Filed: **Feb. 15, 2019**

(30) **Foreign Application Priority Data**

Dec. 20, 2018 (CA) 185387

(51) **LOC (12) Cl.** **06-01**

(52) **U.S. Cl.**
USPC **D6/335; D6/336; D6/381**

(58) **Field of Classification Search**
USPC D6/334, 335, 374, 375, 377, 381
CPC A47C 17/00; A47C 17/02; A47C 17/04;
A47C 17/045; A47C 17/13; A47C 17/132; A47C 17/134; A47C 17/16; A47C 17/162; A47C 17/17; A47C 17/18; A47C 17/20; A47C 17/86

See application file for complete search history.

(56) **References Cited**

U.S. PATENT DOCUMENTS

1,907,322 A * 5/1933 Keicher A47C 7/70
297/145

D151,295 S * 10/1948 Stanley D6/336
(Continued)

Primary Examiner — Cathron C Brooks

(74) *Attorney, Agent, or Firm* — Harness, Dickey & Pierce, P.L.C.

(57) **CLAIM**

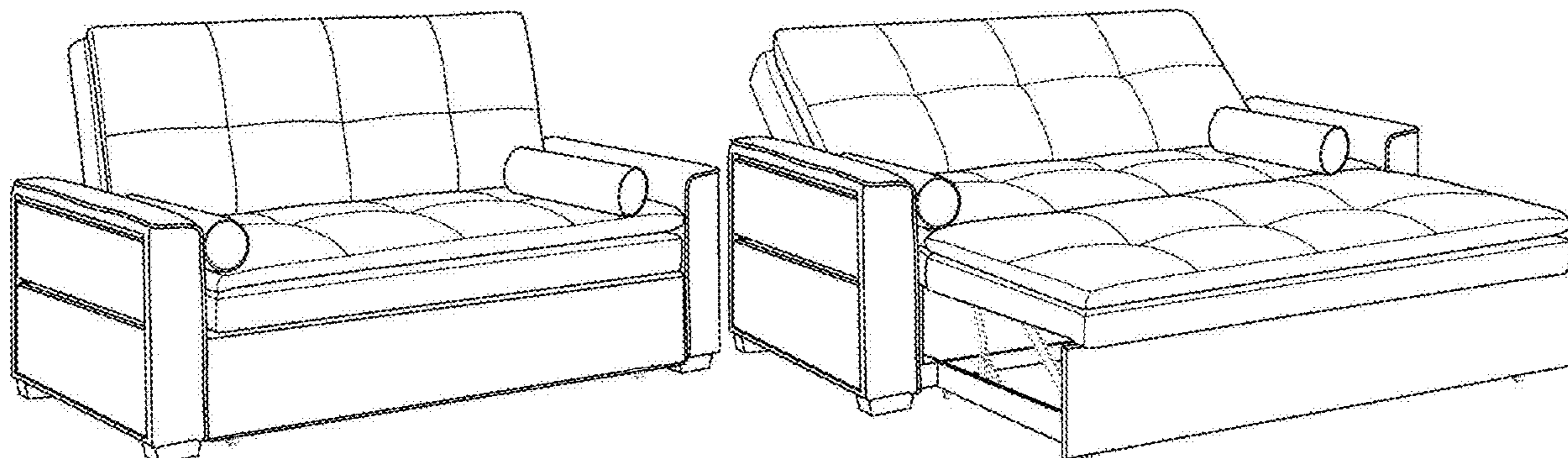
The ornamental design for a convertible sofa with pull-out bed and foldable tray, as shown and described.

DESCRIPTION

FIG. 1 is a front view of the convertible sofa with pull-out bed and foldable tray in a first position;
FIG. 2 is a perspective view of the convertible sofa with pull-out bed and foldable tray in the first position;
FIG. 3 is a perspective view of the convertible sofa with pull-out bed and foldable tray in a second position;
FIG. 4 is a perspective view of the convertible sofa with pull-out bed and foldable tray in a third position;
FIG. 5 is a perspective view of the convertible sofa with pull-out bed and foldable tray in a fourth position;
FIG. 6 is a perspective view of the convertible sofa with pull-out bed and foldable tray in a fifth position;
FIG. 7 is a perspective view of the convertible sofa with pull-out bed and foldable tray in a sixth position;
FIG. 8 is a right side view of the convertible sofa with pull-out bed and foldable tray in the third position;
FIG. 9 is a left side view of the convertible sofa with pull-out bed and foldable tray in the third position;
FIG. 10 is a right side view of the convertible sofa with pull-out bed and foldable tray in the fourth position;
FIG. 11 is a left side view of the convertible sofa with pull-out bed and foldable tray in the fourth position;
FIG. 12 is a perspective view of the convertible sofa with pull-out bed and foldable tray in a seventh position with arrows indicating the direction of movement;
FIG. 13 is a perspective view of the convertible sofa with pull-out bed and foldable tray in an eighth position with arrows indicating the direction of movement; and,
FIG. 14 is a perspective view of the convertible sofa with pull-out bed and foldable tray in a ninth position with arrows indicating the direction of movement.

The broken line showing of the linkage and wheels in the drawings forms no part of the claimed design.

1 Claim, 14 Drawing Sheets



(56)

References Cited

U.S. PATENT DOCUMENTS

2,452,642 A * 11/1948 Ewing A47C 17/12
297/116

2,610,329 A * 9/1952 Strathaus A47C 17/16
5/59.1

D179,829 S * 3/1957 Wilson D6/377

D257,454 S * 10/1980 Nash D6/364

5,217,277 A * 6/1993 Rasnick A47B 43/02
297/145

D347,747 S * 6/1994 Hopfer D6/381

5,505,358 A * 4/1996 Haase B60R 7/00
224/277

D477,152 S * 7/2003 Levy D6/335

D479,409 S * 9/2003 Nicoletti D6/381

D603,617 S * 11/2009 Weiss D6/381

D613,960 S * 4/2010 Griepentrog D6/381

D635,792 S * 4/2011 Kanthasamy D6/381

D681,366 S * 5/2013 Kanthasamy D6/381

D719,754 S * 12/2014 Pathiratne D6/381

D811,100 S * 2/2018 Andersen D6/335

10,123,627 B2 * 11/2018 King A47C 7/50

D841,992 S * 3/2019 Kershner D6/335

2010/0269255 A1 * 10/2010 Kanthasamy A47C 17/1655
5/37.1

2011/0012393 A1 * 1/2011 Kanthasamy A47B 83/02
297/173

2014/0375088 A1 * 12/2014 Fuchs A47B 85/04
297/125

2019/0099005 A1 * 4/2019 Decker A47C 17/213

* cited by examiner

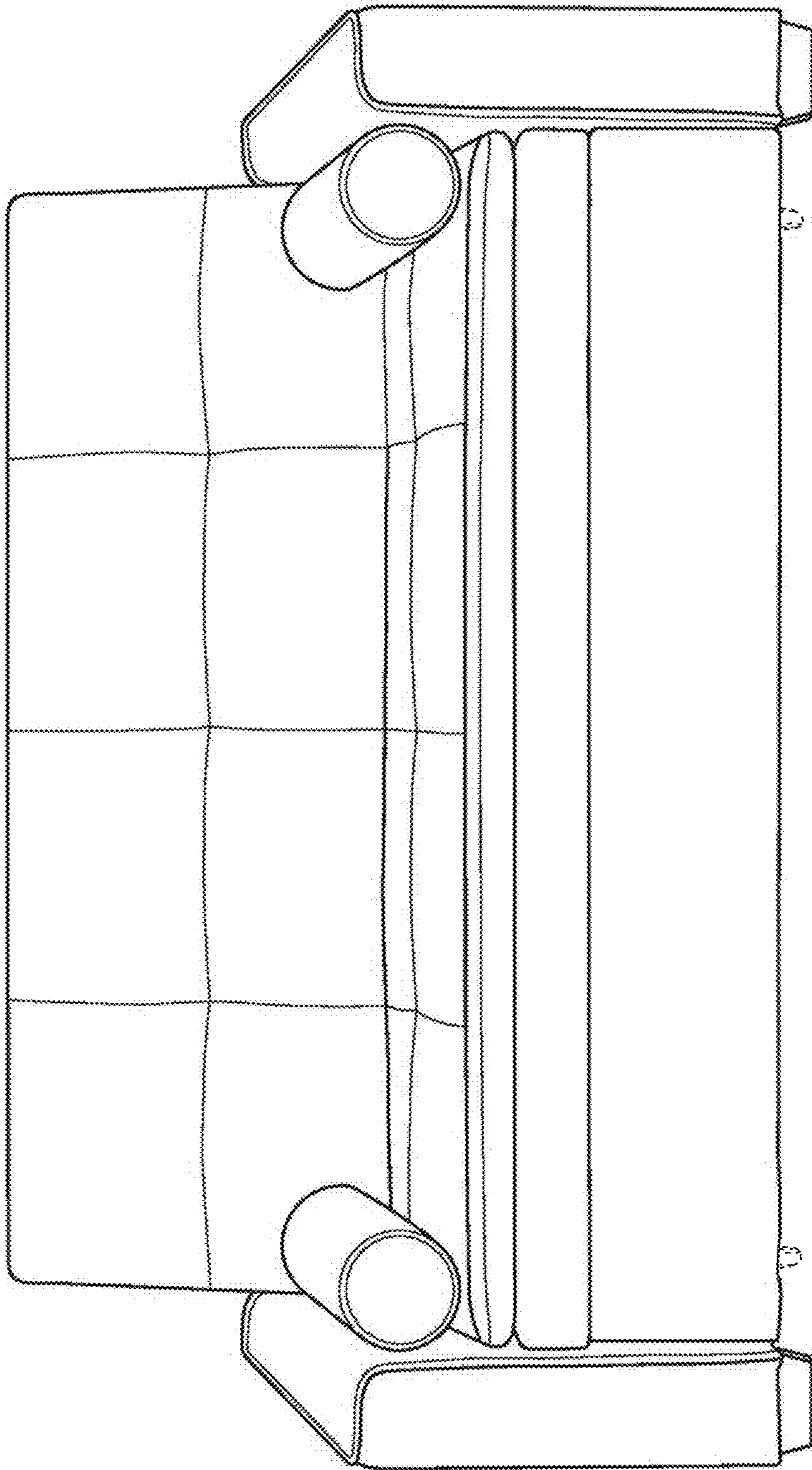


FIG. 1

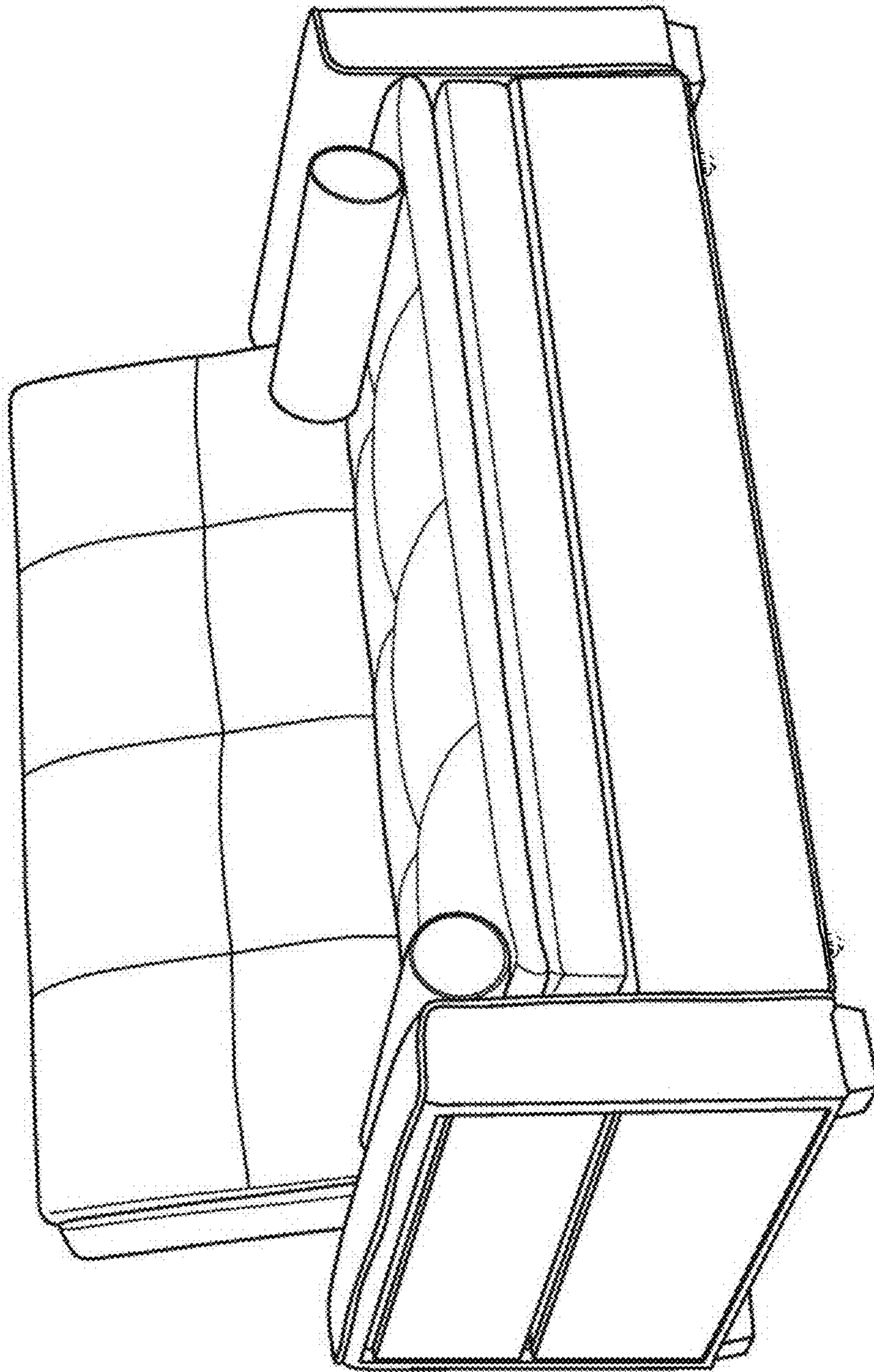


FIG. 2

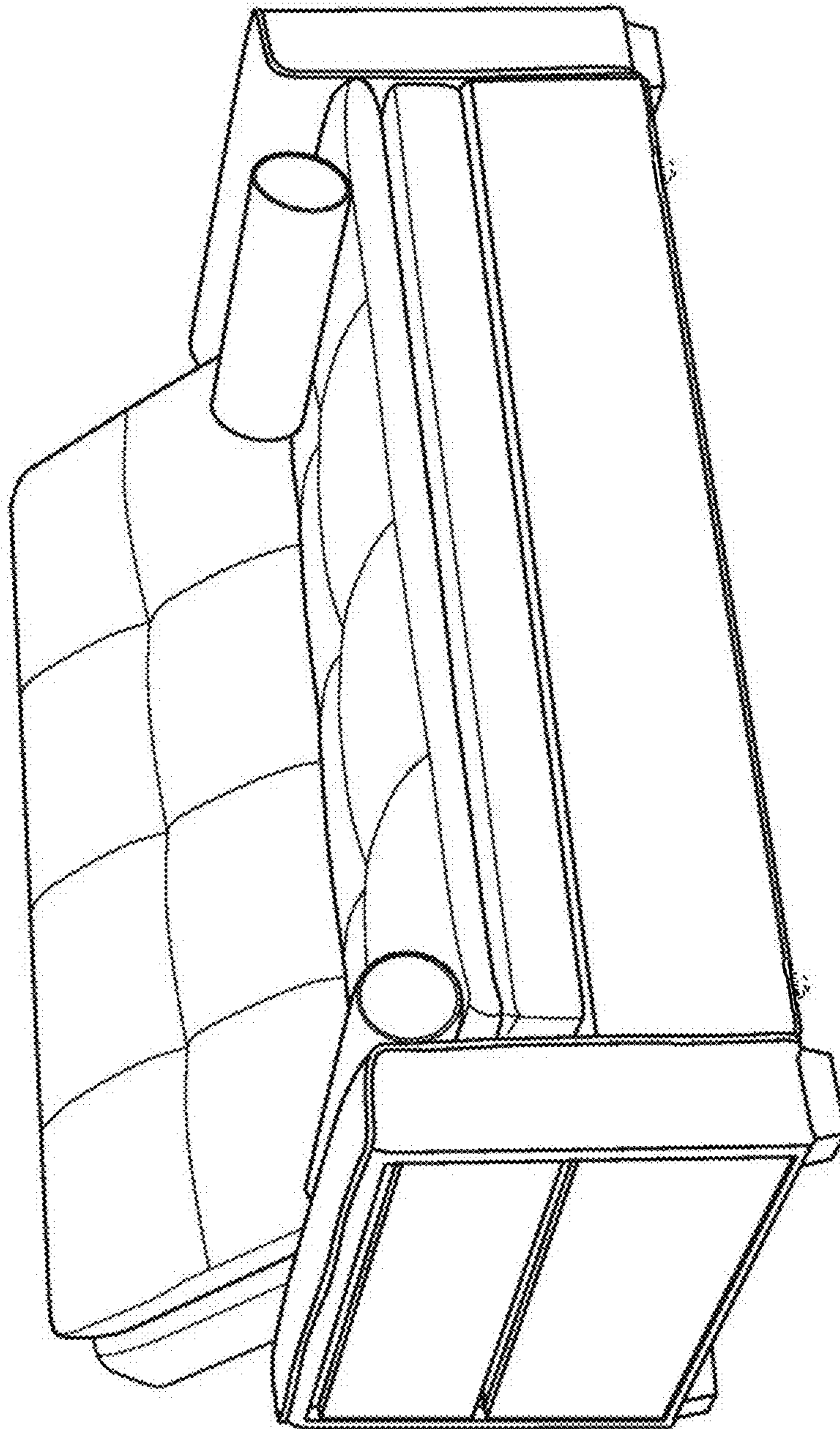


FIG. 3

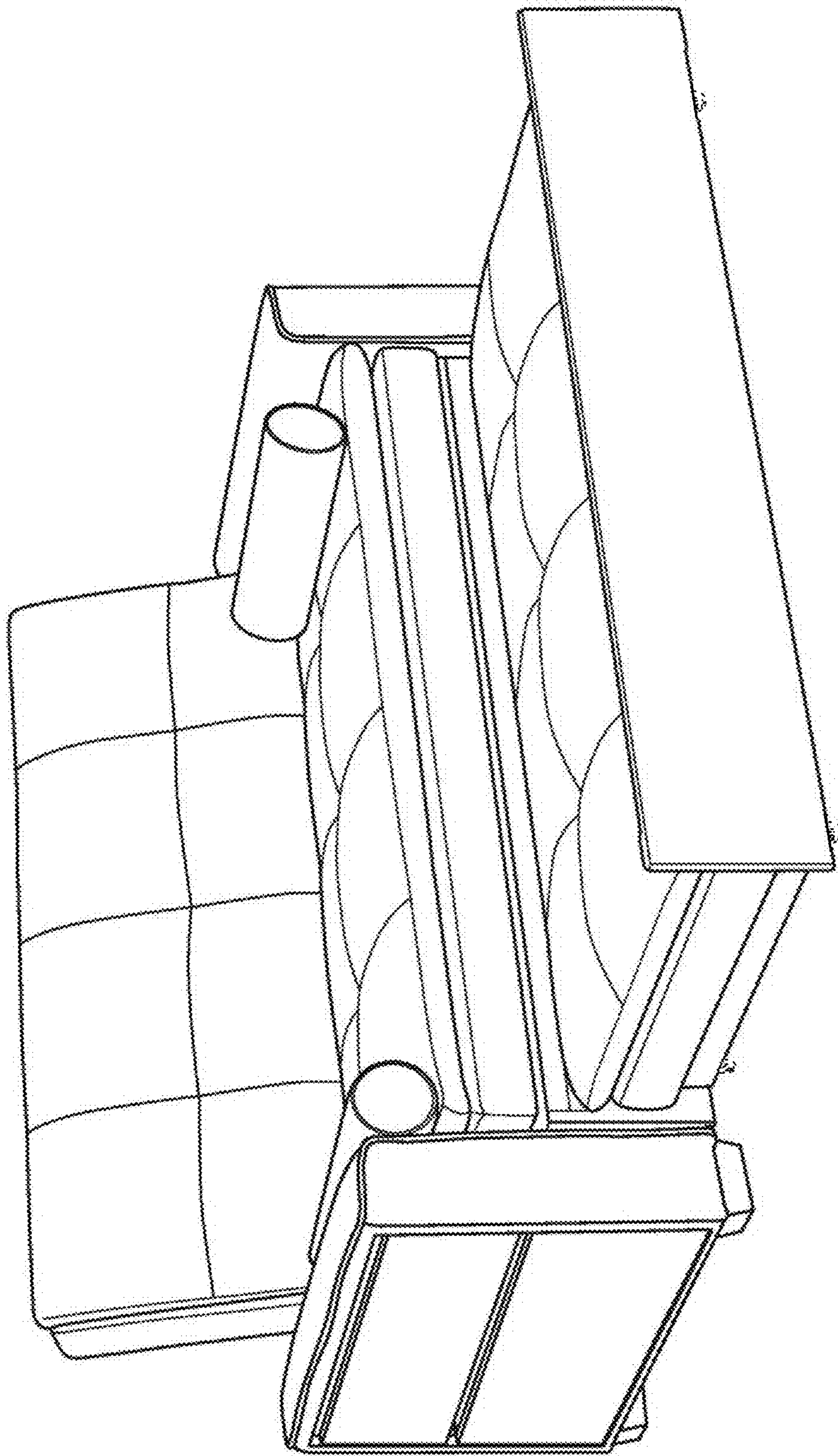


FIG. 4

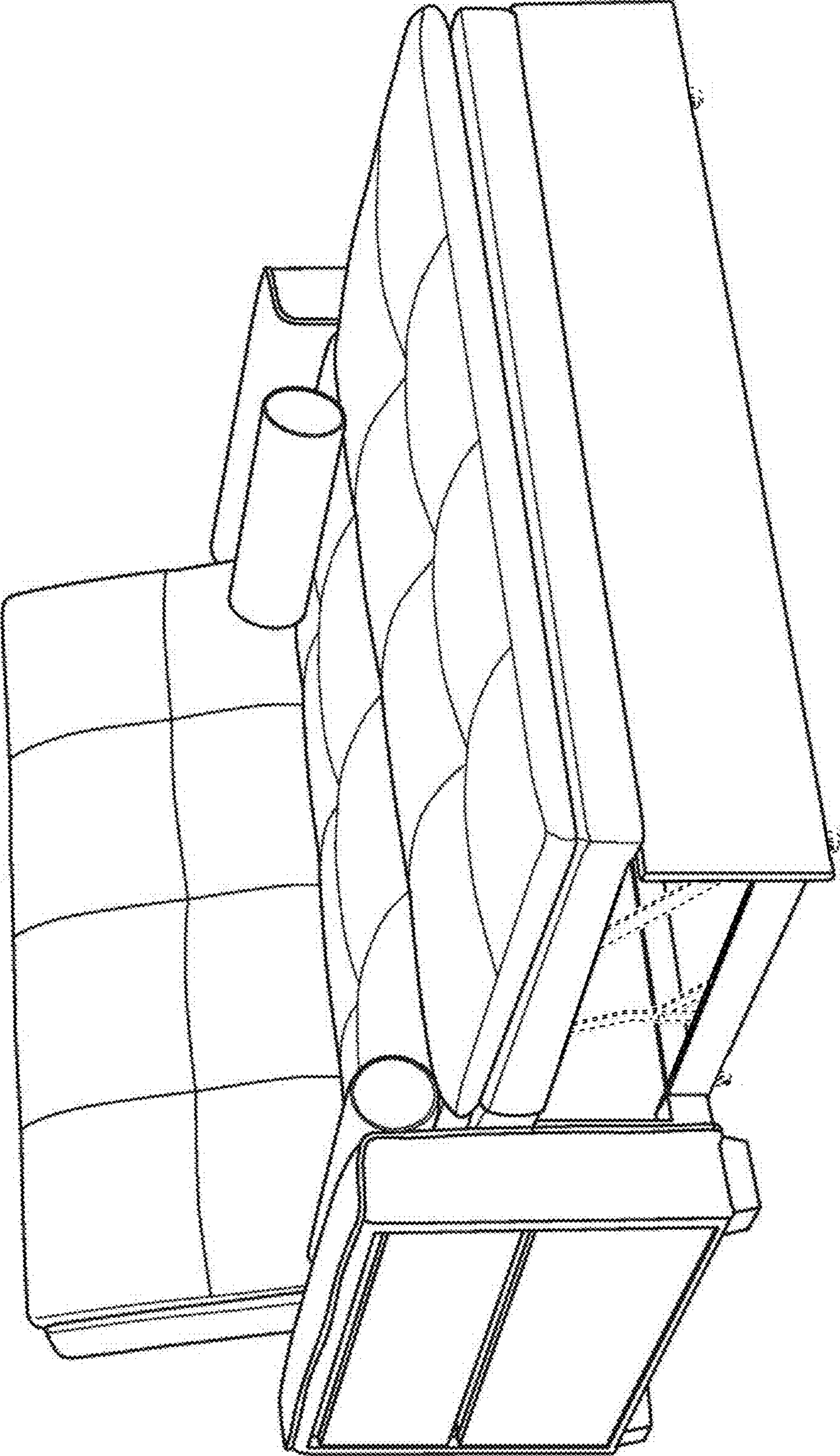


FIG. 5

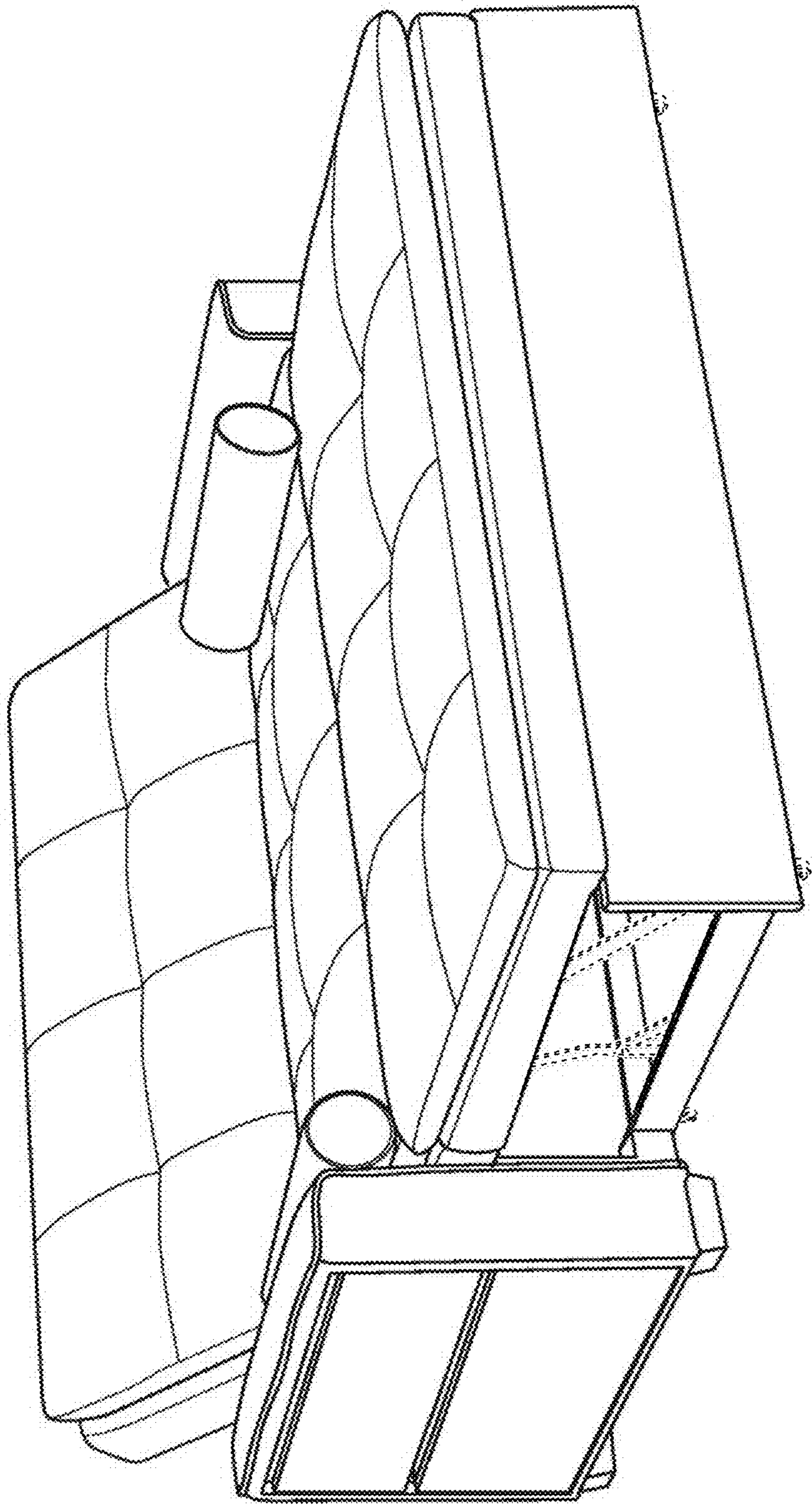


FIG. 6

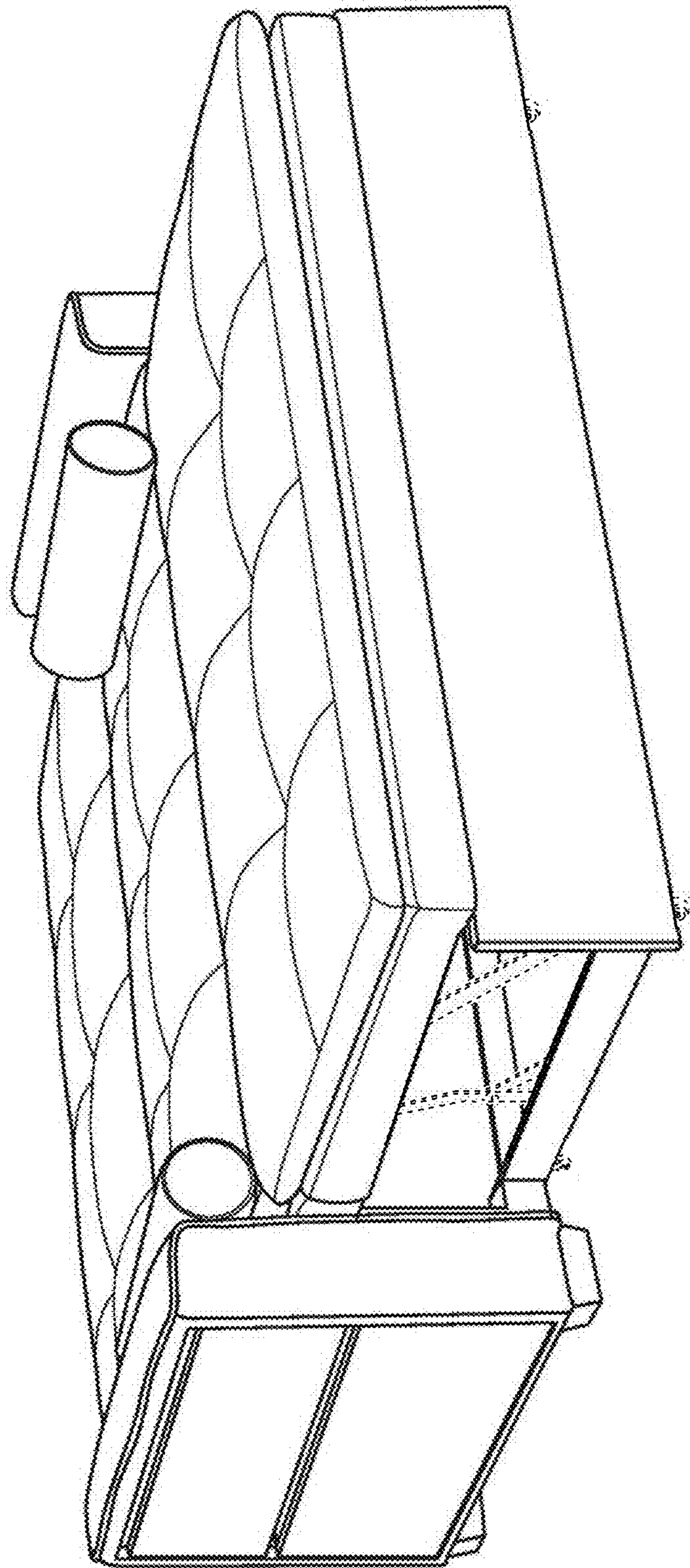


FIG. 7

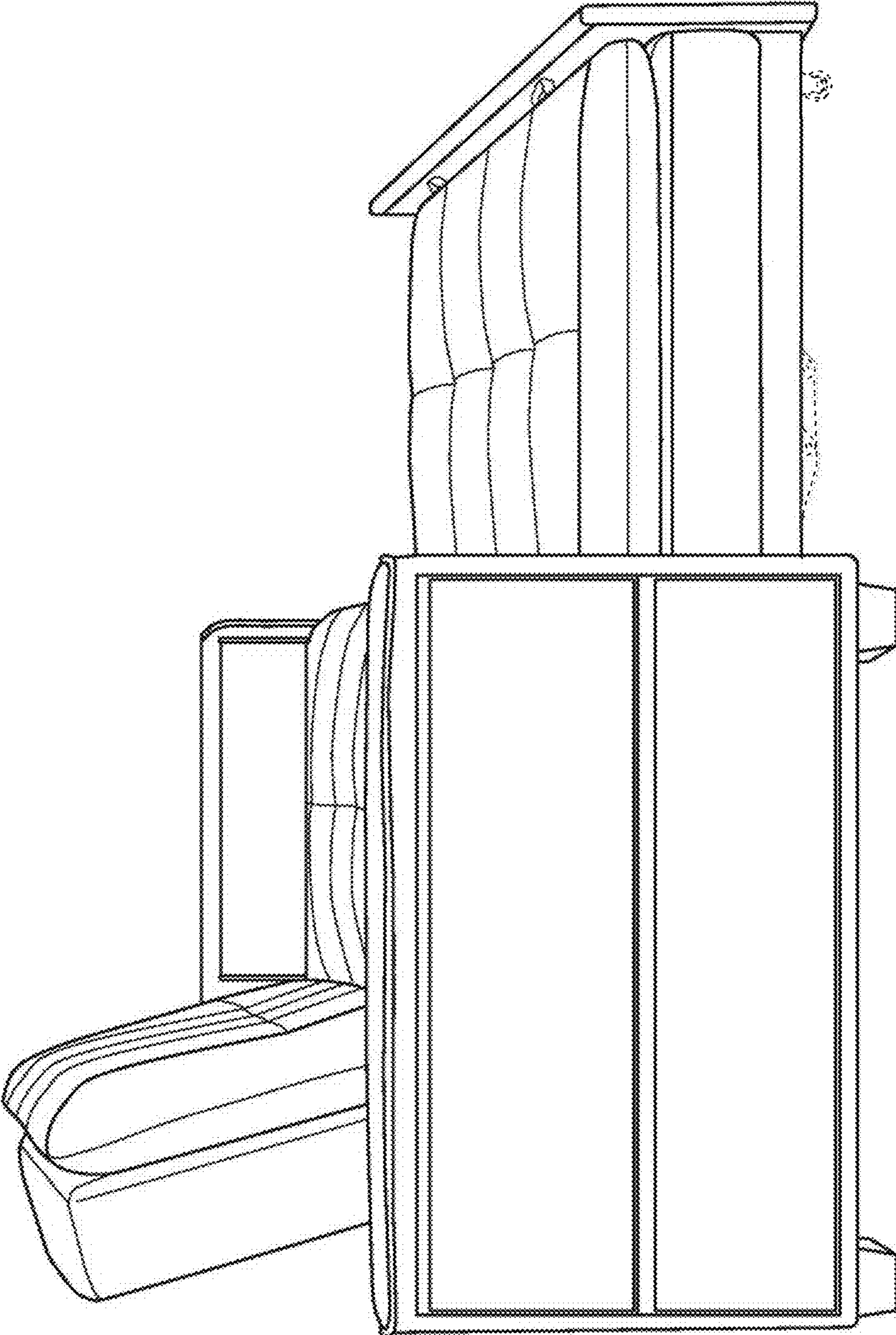


FIG. 8

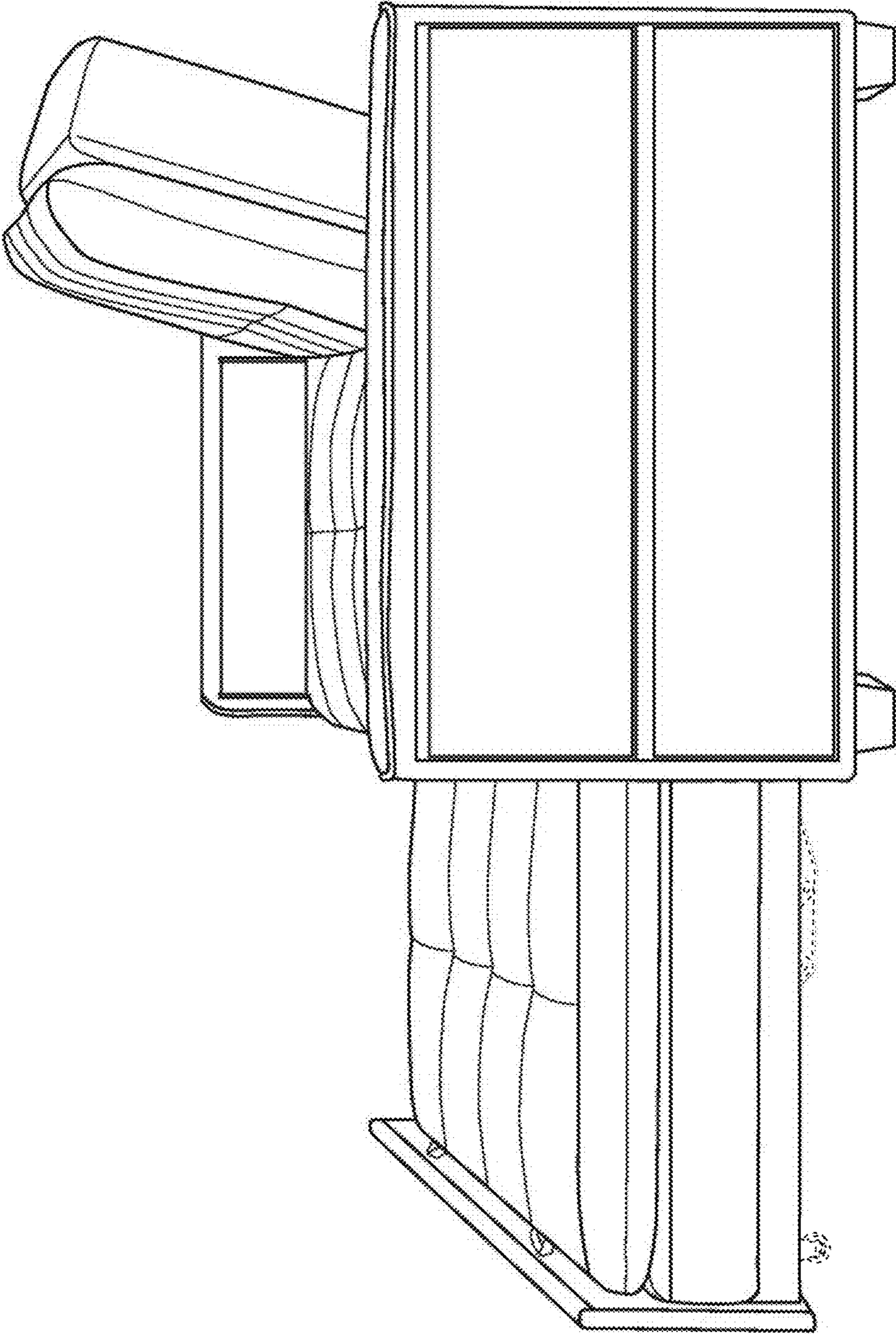


FIG. 9

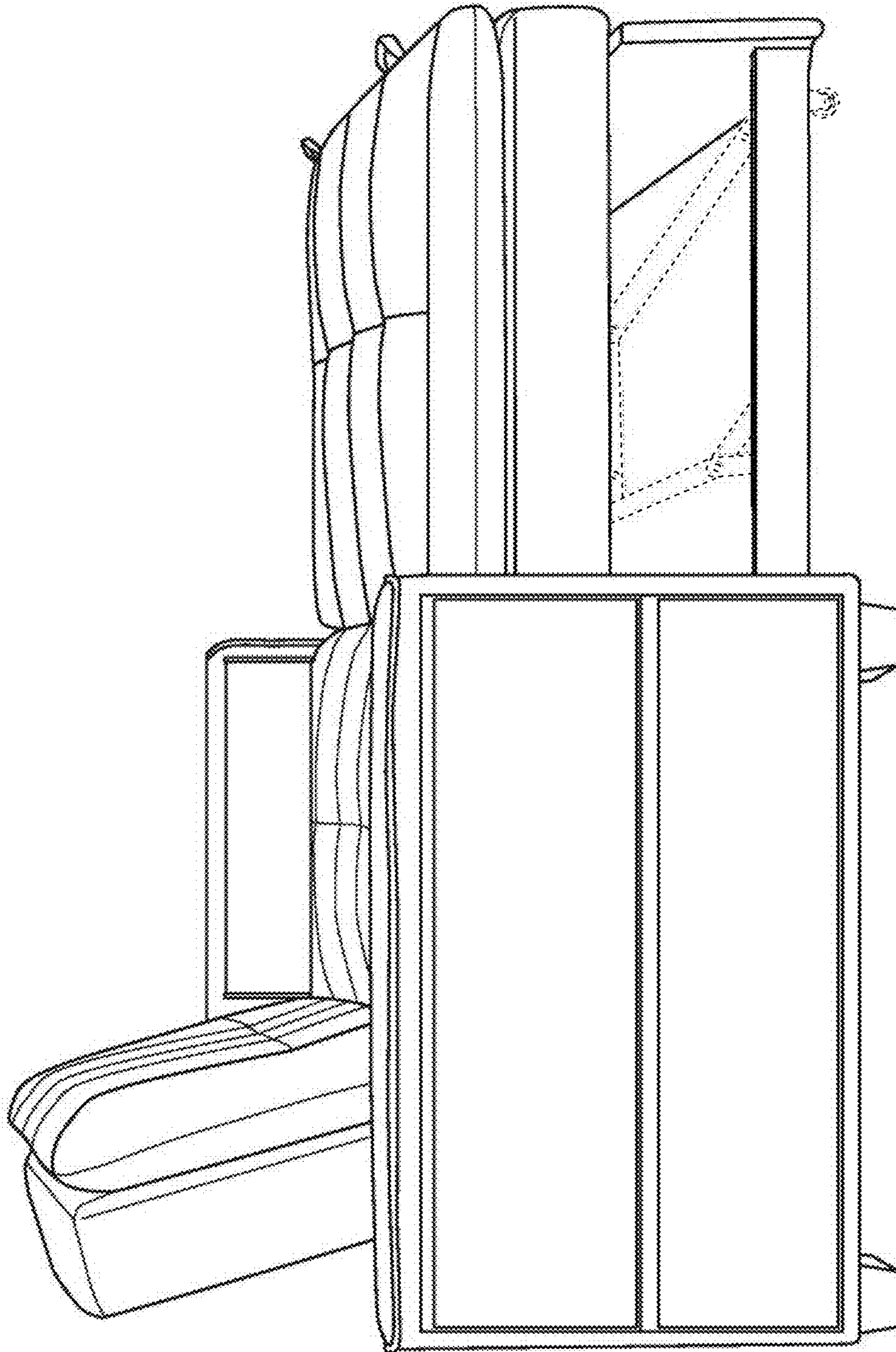


FIG. 10

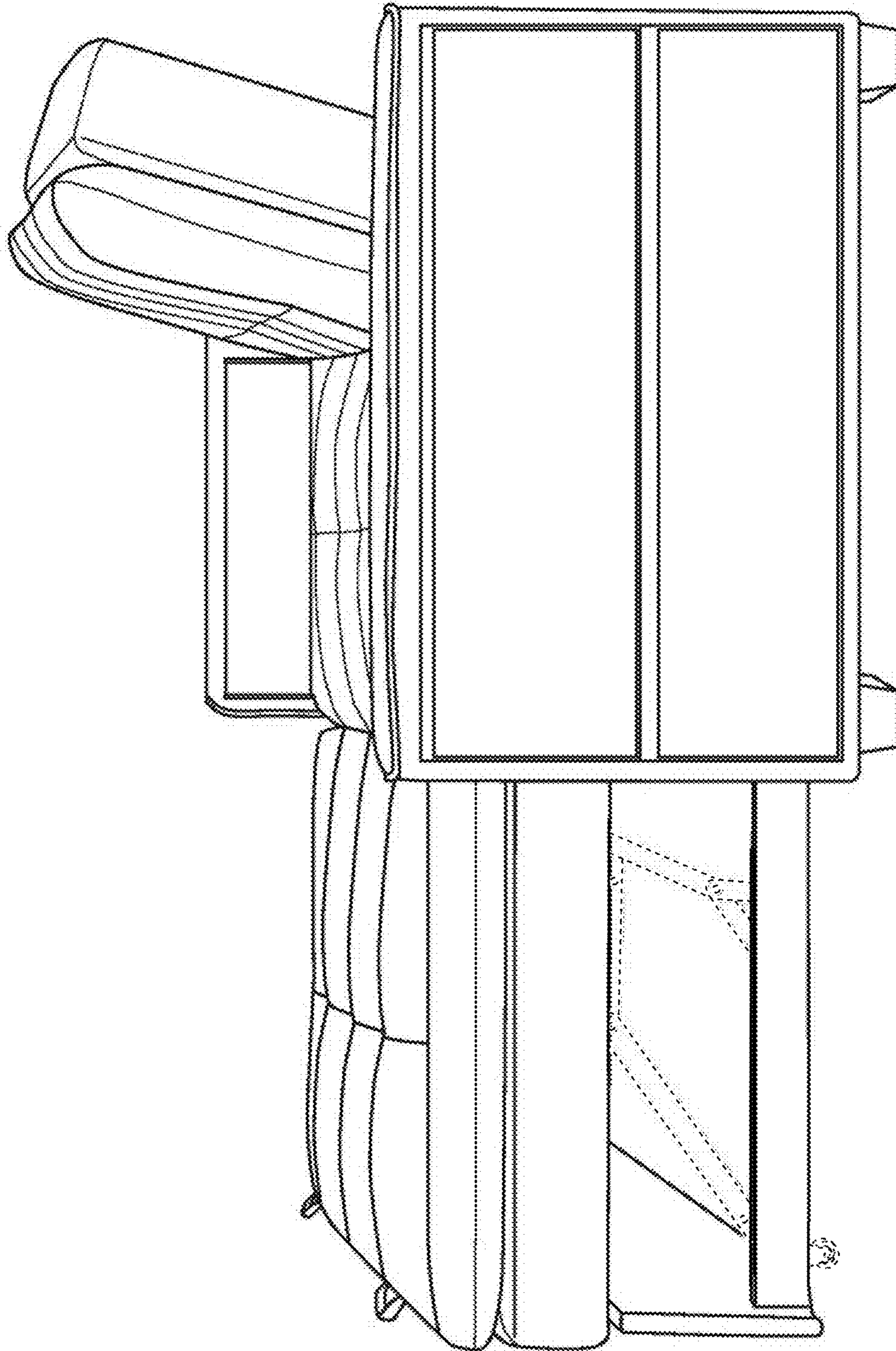


FIG. 11

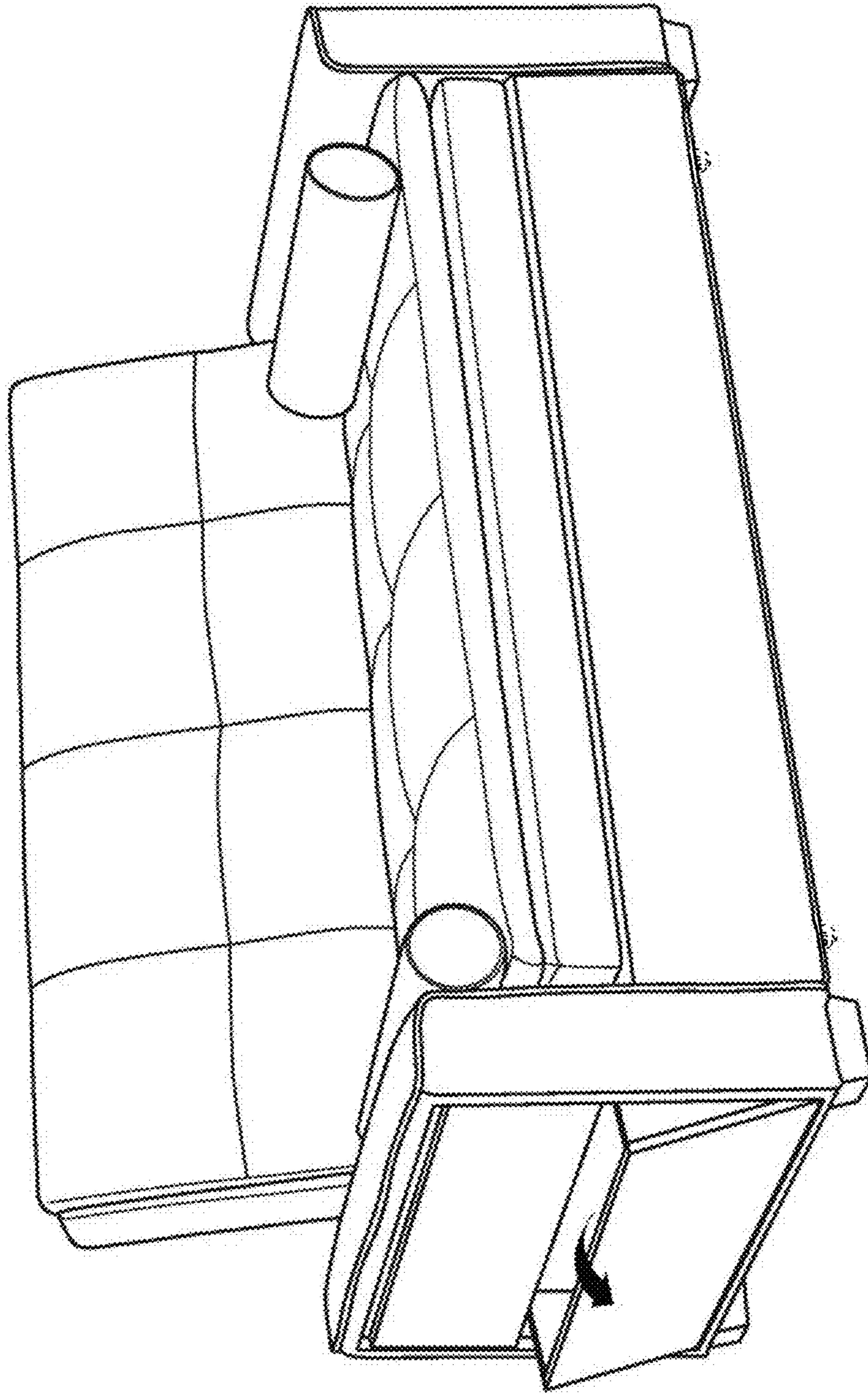


FIG. 12

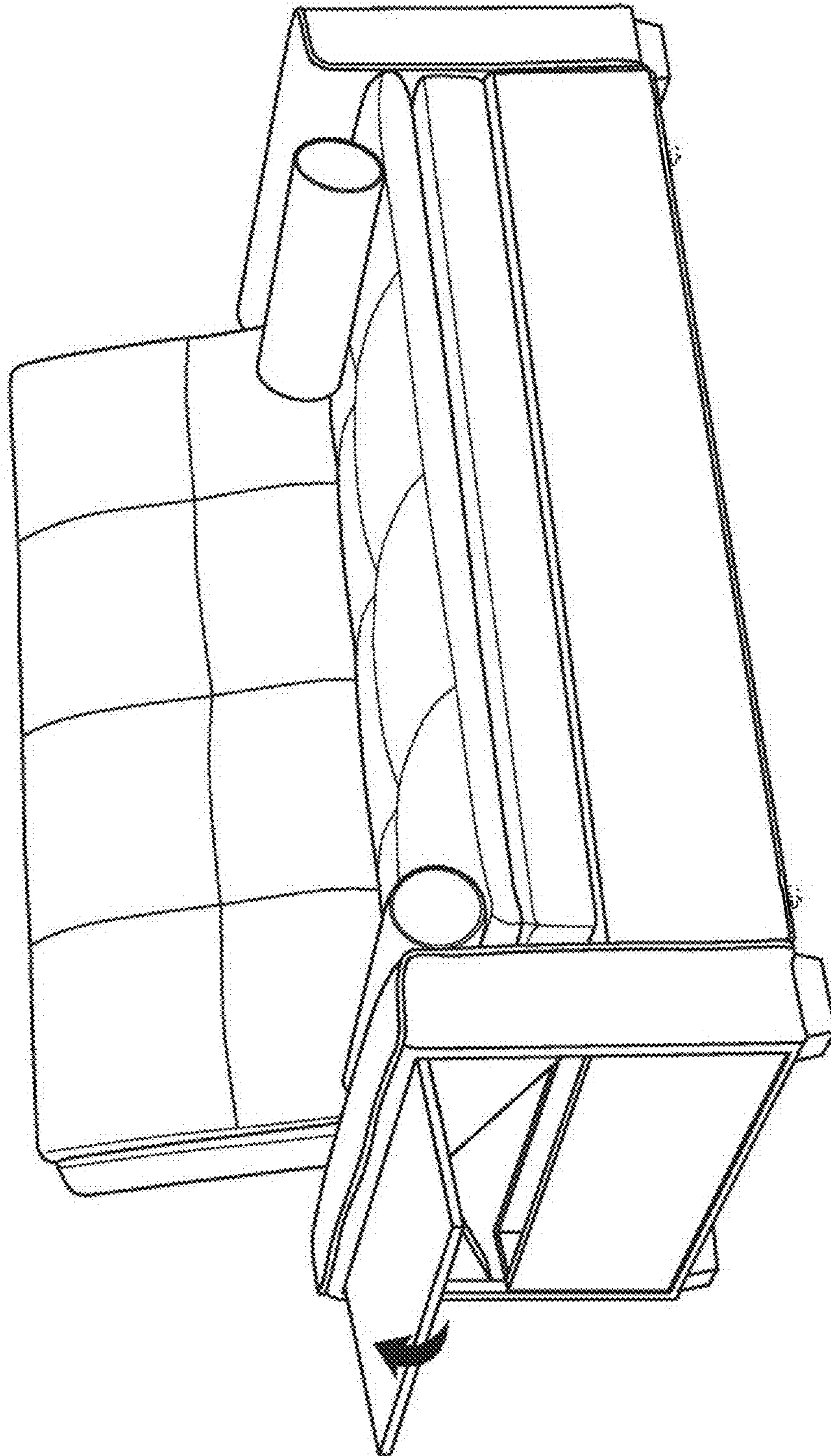


FIG. 13

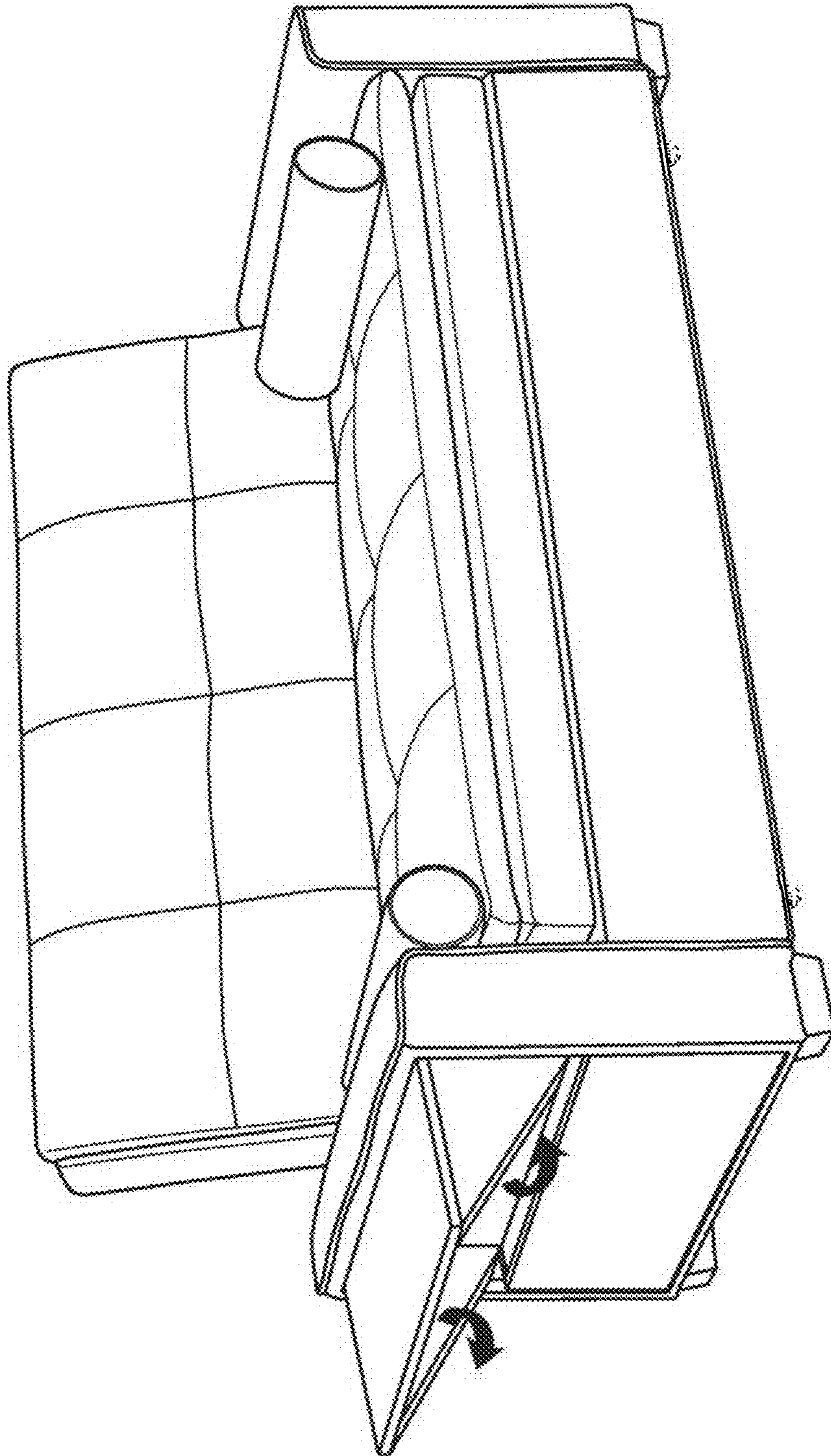


FIG. 14