



US00D904770S

(12) **United States Design Patent**  
**Murray**

(10) **Patent No.:** **US D904,770 S**

(45) **Date of Patent:** **\*\* Dec. 15, 2020**

(54) **HAT HOLDER DEVICE FOR CURVED HATS**

(71) Applicant: **Chad Murray**, Laguna Niguel, CA  
(US)

(72) Inventor: **Chad Murray**, Laguna Niguel, CA  
(US)

(\*\*) Term: **15 Years**

(21) Appl. No.: **29/739,963**

(22) Filed: **Jun. 30, 2020**

**Related U.S. Application Data**

(63) Continuation-in-part of application No. 16/364,379,  
filed on Mar. 26, 2019.

(51) **LOC (12) Cl.** ..... **06-08**

(52) **U.S. Cl.**  
USPC ..... **D6/315**

(58) **Field of Classification Search**  
USPC ..... D6/315, 319, 326, 672, 682, 512, 513,  
D6/552, 553, 556, 567, 574  
CPC . A47G 25/10; A47F 7/06; A47F 7/143; A42B  
1/002  
See application file for complete search history.

(56) **References Cited**

**U.S. PATENT DOCUMENTS**

2,718,414	A	9/1955	Knox et al.	
4,757,905	A *	7/1988	Green	A47F 7/06 211/31
D315,844	S *	4/1991	Enthoven	D6/562
5,074,508	A	12/1991	Powers	
5,429,335	A	7/1995	Cunningham	
5,480,073	A *	1/1996	Lamanna	A47F 7/06 206/303
5,573,217	A	11/1996	Garvey et al.	
5,685,465	A	11/1997	Berardis	
D436,742	S *	1/2001	Mueller	D6/315
D455,892	S *	4/2002	Crawford	D2/892

6,481,060	B1	11/2002	Tsai	
6,824,027	B2 *	11/2004	Frey	A42B 1/002 223/14
D592,434	S *	5/2009	Thompson	D6/553
8,231,034	B2 *	7/2012	Styles	A42C 1/06 223/14
D691,390	S *	10/2013	Cunningham	D6/556

(Continued)

*Primary Examiner* — Lauren R Calve

(74) *Attorney, Agent, or Firm* — Boudwin Intellectual  
Property; Daniel Boudwin

(57) **CLAIM**

The ornamental design for a hat holder device for curved hats, as shown and described.

**DESCRIPTION**

FIG. 1 shows a perspective view of a hat holder device for curved hats.

FIG. 2 shows a perspective view of a hat holder device for curved hats including a hat which is shown through the holder for clarity of the environmental illustration.

FIG. 3 shows a top plan view of the hat holder device for curved hats.

FIG. 4 shows a bottom plan view of the hat holder device for curved hats.

FIG. 5 shows a right side view of the hat holder device for curved hats.

FIG. 6 shows a left side view of the hat holder device for curved hats.

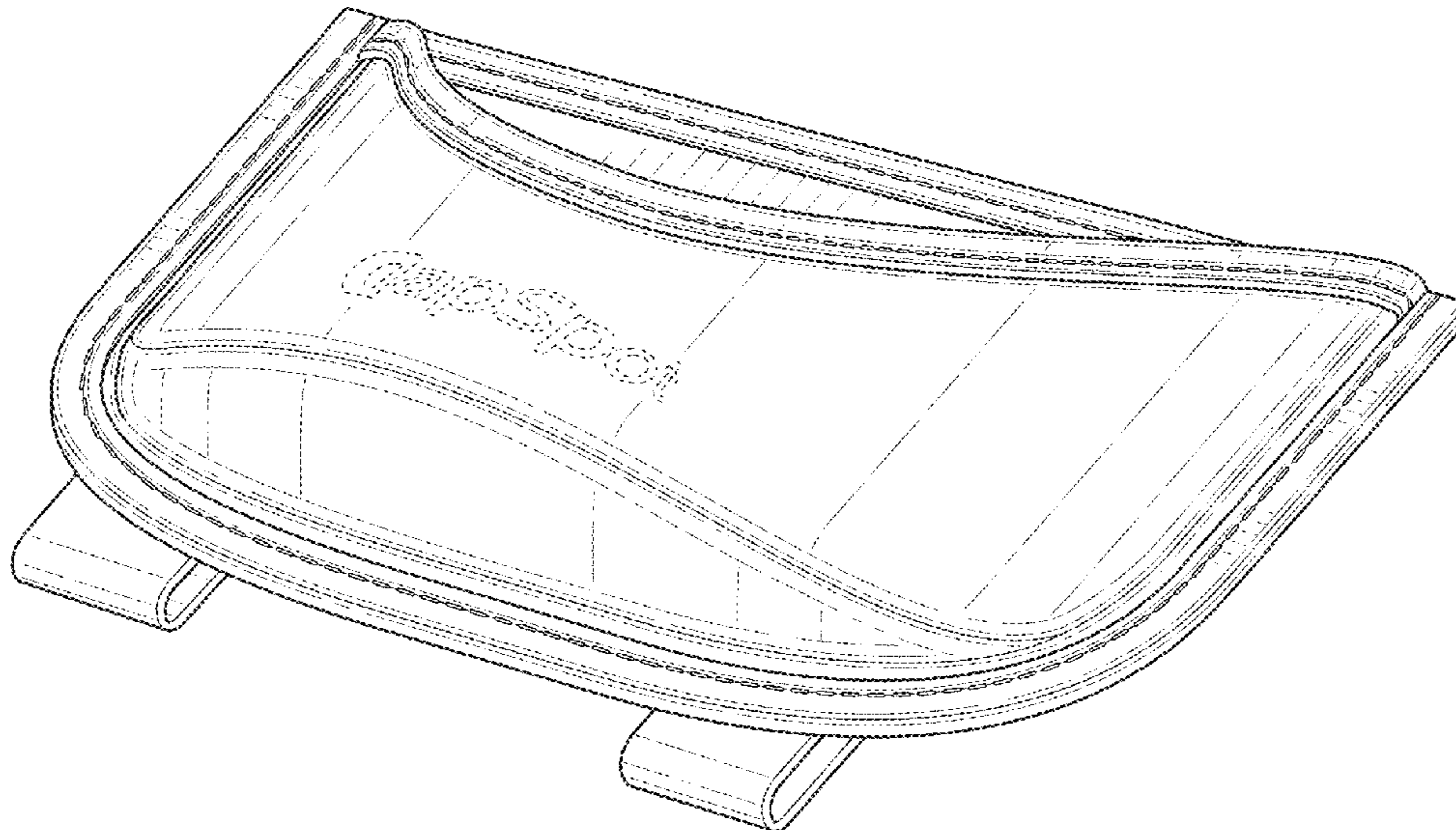
FIG. 7 shows a rear view of the hat holder device for curved hats; and,

FIG. 8 shows a front view of the hat holder device for curved hats.

The shade lines in the Figures show contour and not surface ornamentation.

The broken lines shown represent environmental subject matter and portions of the hat holder device for curved hats which form no part of the claimed design.

**1 Claim, 6 Drawing Sheets**



(56)

**References Cited**

U.S. PATENT DOCUMENTS

D695,476 S *	12/2013	Holloway .....	D32/35
D699,972 S *	2/2014	Lee .....	D6/553
D706,556 S *	6/2014	Buller .....	D6/672
D769,644 S *	10/2016	Jacobson .....	D6/553
2002/0162194 A1	11/2002	Ainley et al.	
2005/0263461 A1	12/2005	Heim	
2007/0235484 A1	10/2007	Staniszewski	
2008/0314332 A1	12/2008	Jacobs	
2009/0119819 A1	5/2009	Thompson	

\* cited by examiner

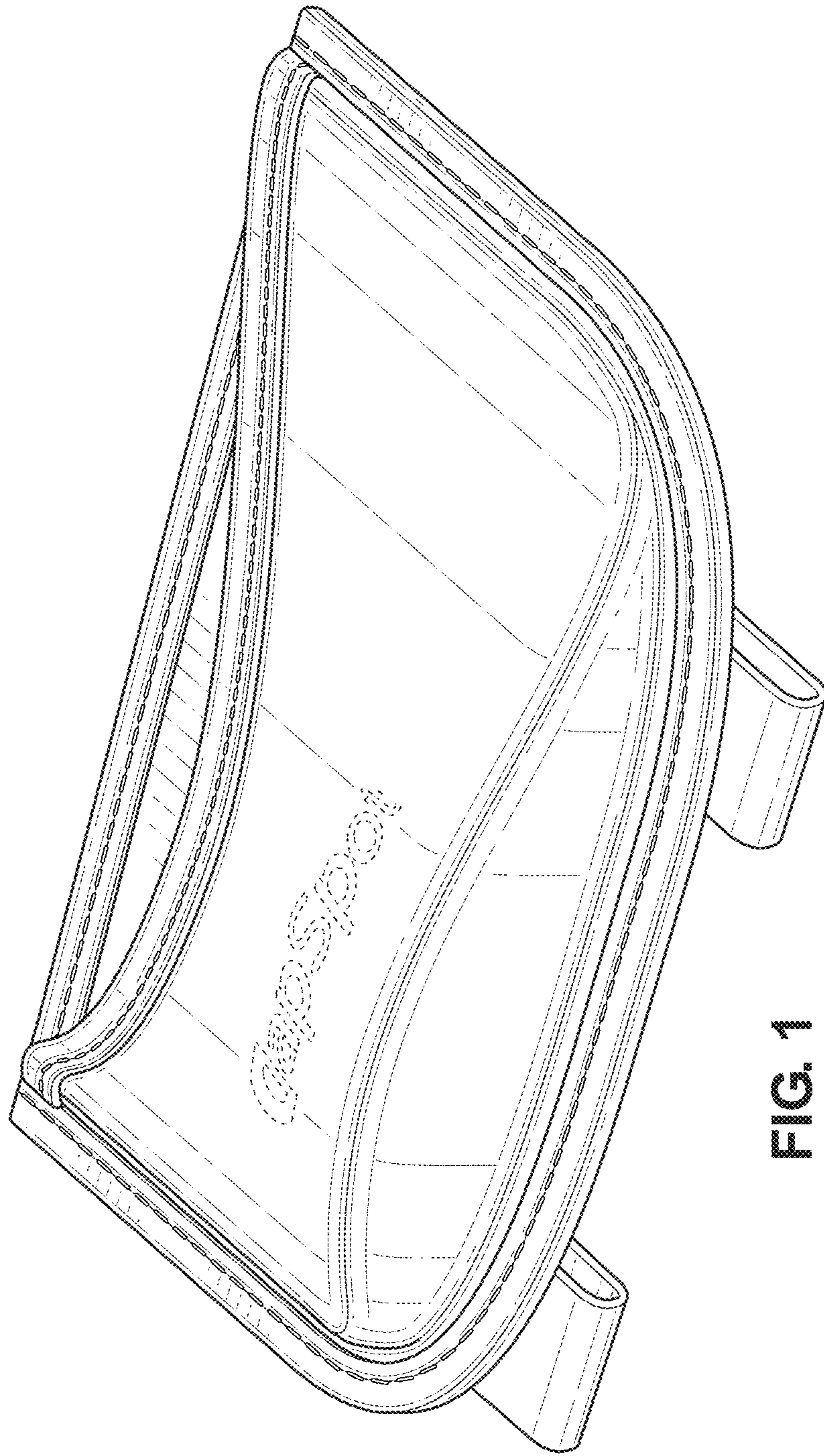


FIG. 1

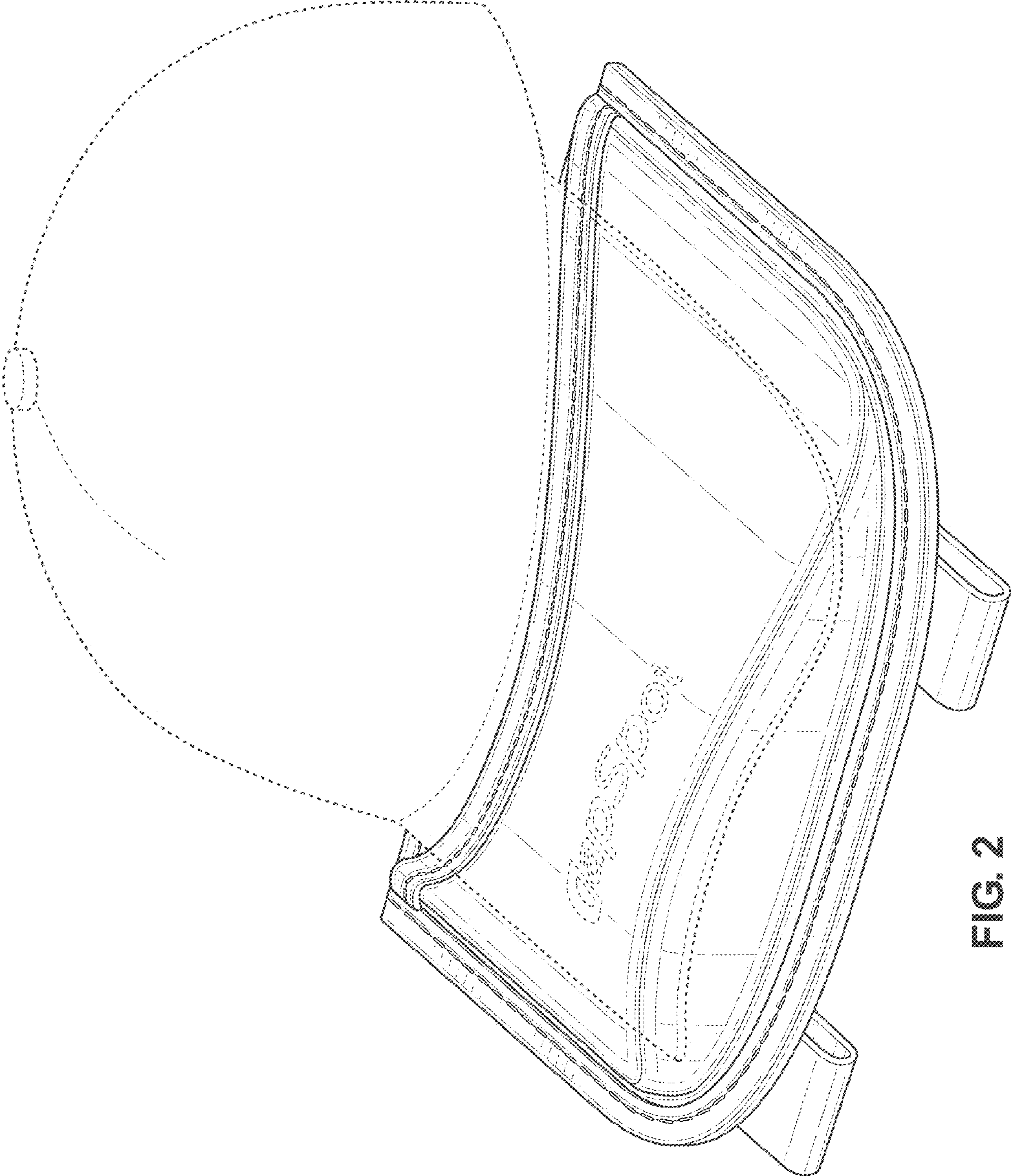


FIG. 2

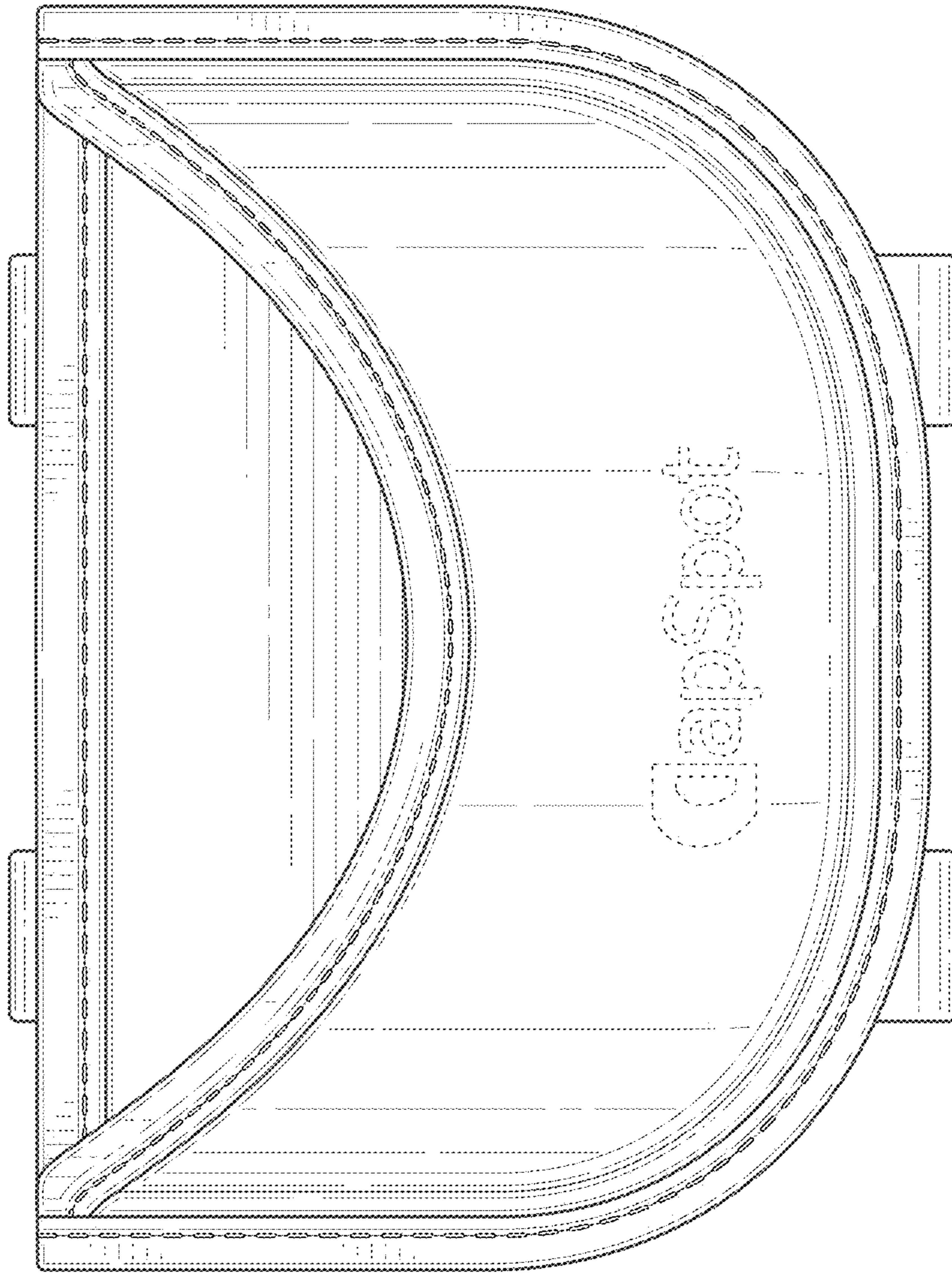


FIG. 3

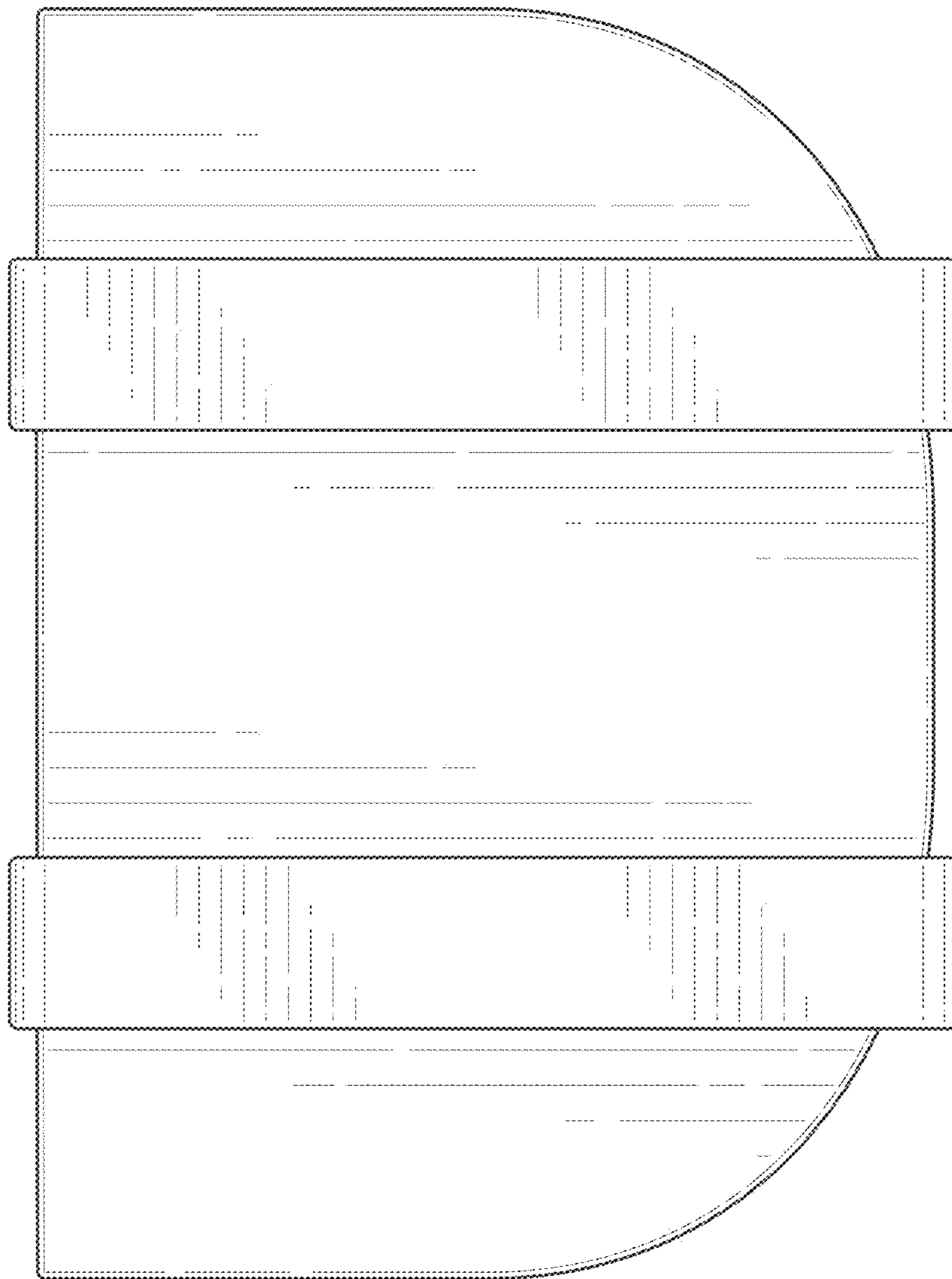


FIG. 4

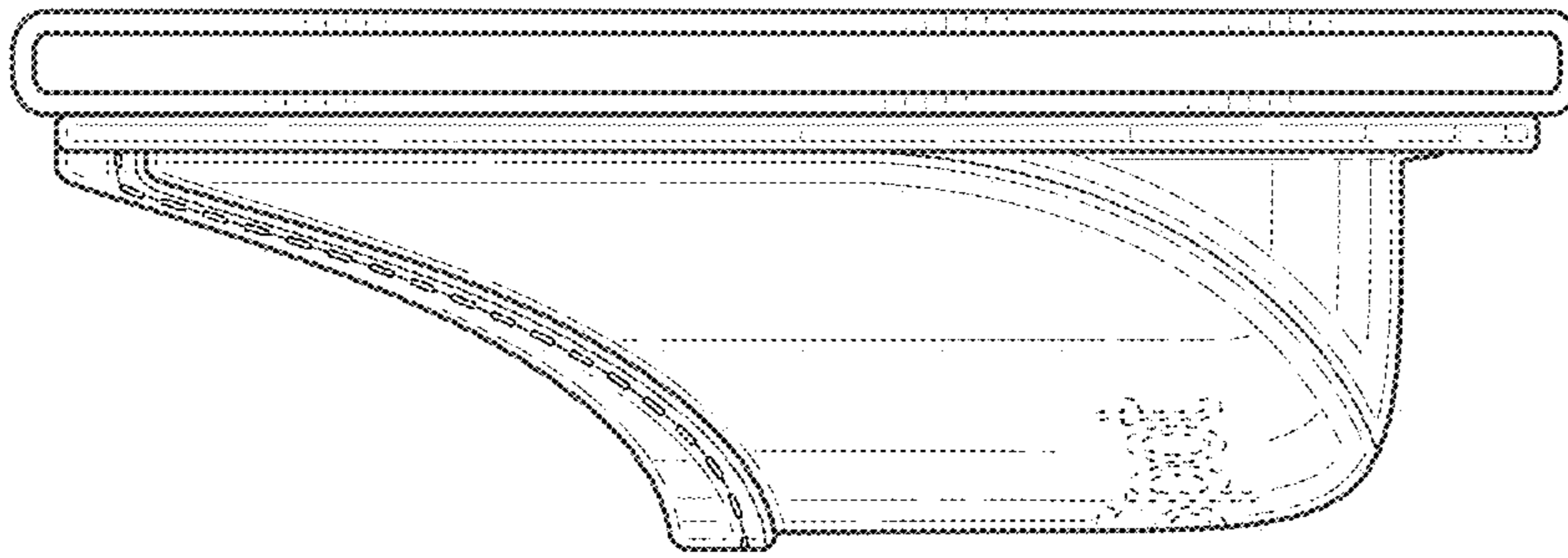


FIG. 6

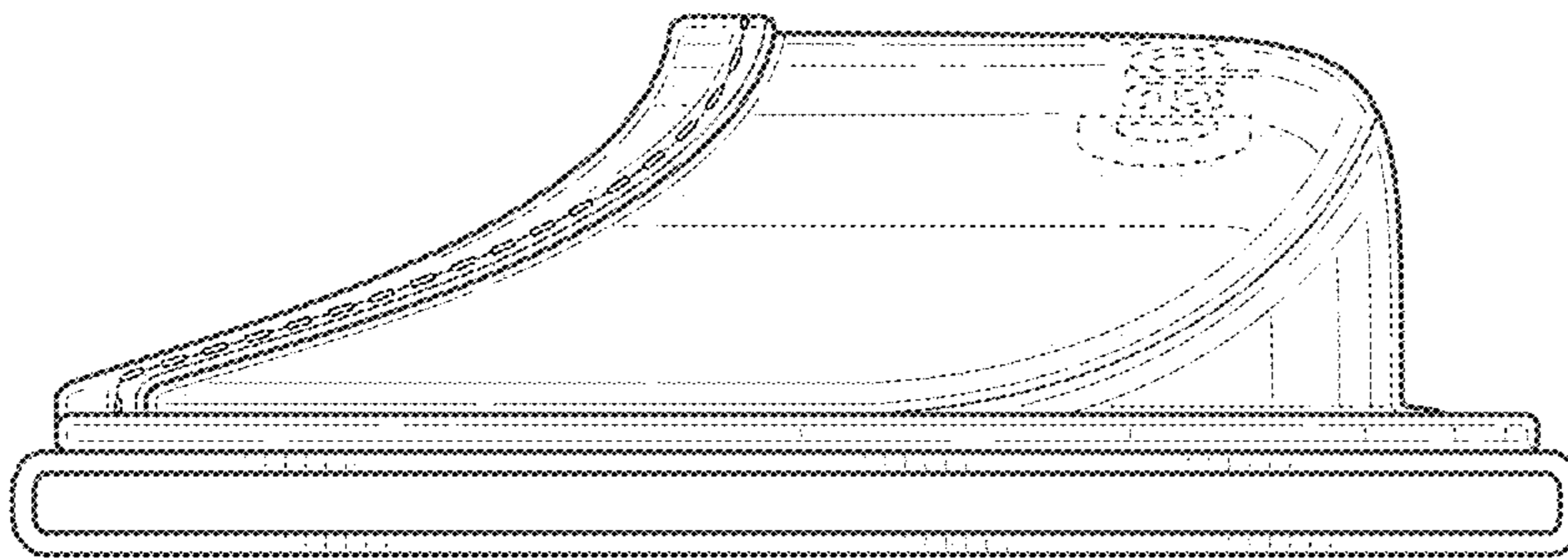


FIG. 5

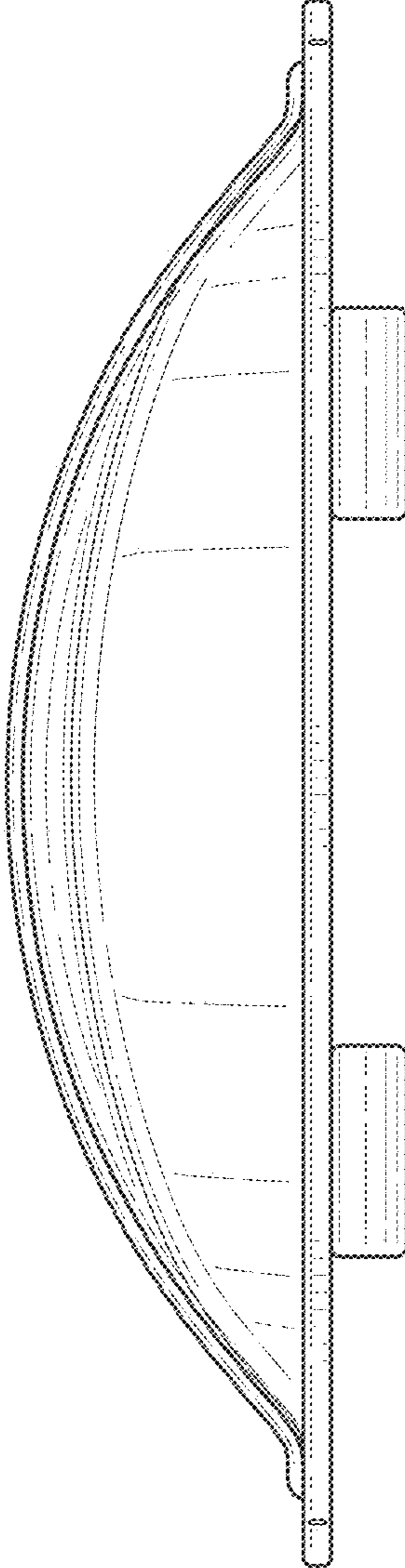


FIG. 7

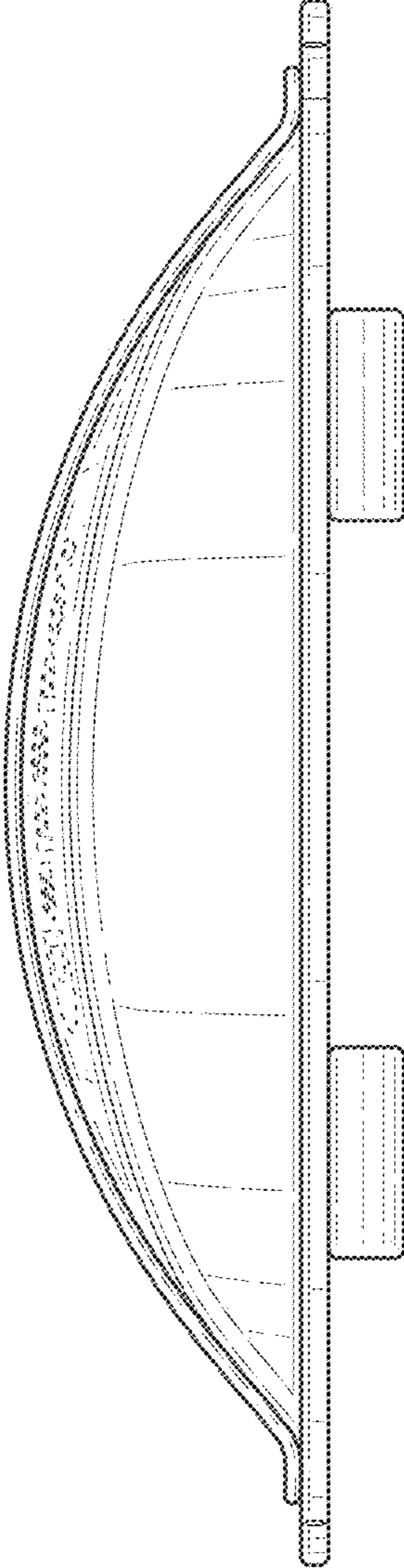


FIG. 8