



US00D904768S

(12) **United States Design Patent** (10) **Patent No.:** **US D904,768 S**
Stetler (45) **Date of Patent:** **** Dec. 15, 2020**

(54) **DISPLAY BOX**
(71) Applicant: **Artifact Uprising LLC**, Denver, CO (US)
(72) Inventor: **Katelyn Stetler**, Mason, OH (US)
(73) Assignee: **ARTIFACT UPRISING, LLC**, Denver, CO (US)
(**) Term: **15 Years**
(21) Appl. No.: **29/653,075**
(22) Filed: **Jun. 12, 2018**
(51) **LOC (12) Cl.** **06-06**
(52) **U.S. Cl.**
USPC **D6/300**
(58) **Field of Classification Search**
USPC D6/300-314
CPC A47G 1/06; A47G 2001/0666
See application file for complete search history.

(56) **References Cited**

U.S. PATENT DOCUMENTS

D224,877 S *	10/1972	Fendrick	D6/300
D276,397 S *	11/1984	Pfanstiehl	D6/300
D335,963 S *	6/1993	Tracey	D6/300
D371,244 S *	7/1996	Weshler	D6/300
D396,350 S *	7/1998	Panzenhagen	D6/300
D432,795 S *	10/2000	Block	D6/300
D434,571 S *	12/2000	Copeland	D6/314
D451,290 S *	12/2001	Allen	D6/300
D503,542 S *	4/2005	Chen	D6/300
D613,075 S *	4/2010	DeNicola	D6/300
D613,953 S *	4/2010	Hammer	D6/310
D636,610 S *	4/2011	Caubel	D6/300
D654,703 S *	2/2012	LeMay	D6/300
D687,439 S *	8/2013	May	D14/447
D767,288 S *	9/2016	McMahon	D6/300

D808,178 S *	1/2018	Jones	D6/300
D839,001 S *	1/2019	Berrios	D6/311
D841,990 S *	3/2019	Liimatainen-Jokinen	D6/300
2011/0026749 A1 *	2/2011	Yaun	H04R 1/028 381/333
2012/0285061 A1 *	11/2012	Angon	G06F 1/1626 40/798
2013/0048809 A1 *	2/2013	Jacobson	F16M 13/022 248/206.2
2018/0012541 A1 *	1/2018	Lin	G06F 3/0202

* cited by examiner

Primary Examiner — Deanna L Pratt

(74) *Attorney, Agent, or Firm* — The Plus IP Firm; Derek Fahey

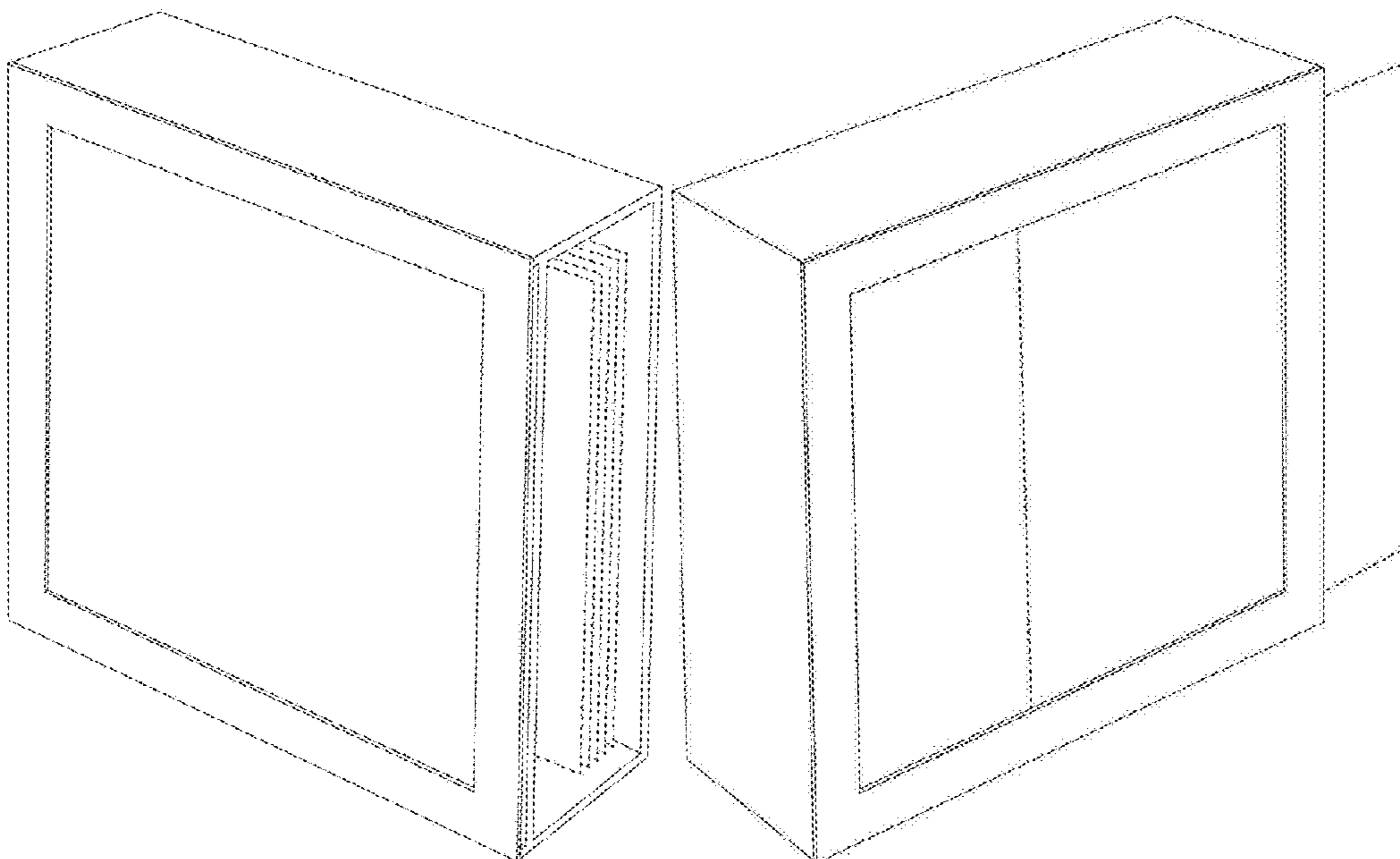
(57) **CLAIM**

The ornamental design for a display box, as shown and described.

DESCRIPTION

FIG. 1 is a first front perspective view of a display box showing planar objects stored in a storing compartment, showing the new design;
FIG. 2 is a second front perspective view of the display box showing a planar object partially inserted into a displaying compartment;
FIG. 3 is a front view of the display box showing the displaying compartment;
FIG. 4 is a first side view of the display box showing both the storing compartment and displaying compartment;
FIG. 5 is a rear view of the display box;
FIG. 6 is a second side view of the display box;
FIG. 7 is a top view of the display box; and,
FIG. 8 is a bottom view of the display box.
The short broken lines in the figures illustrate planar objects, which form no part of the claimed design.

1 Claim, 8 Drawing Sheets



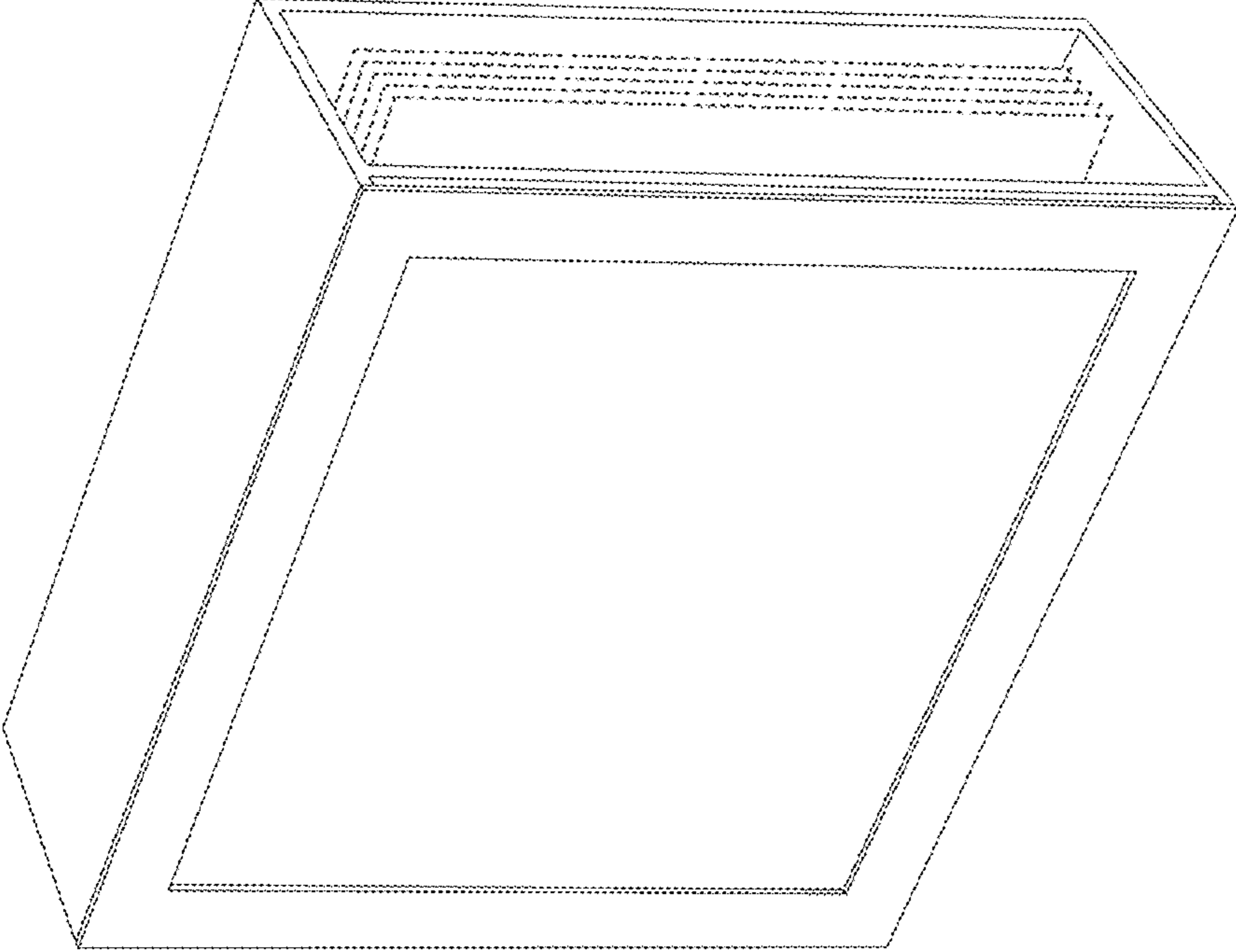


FIG. 1

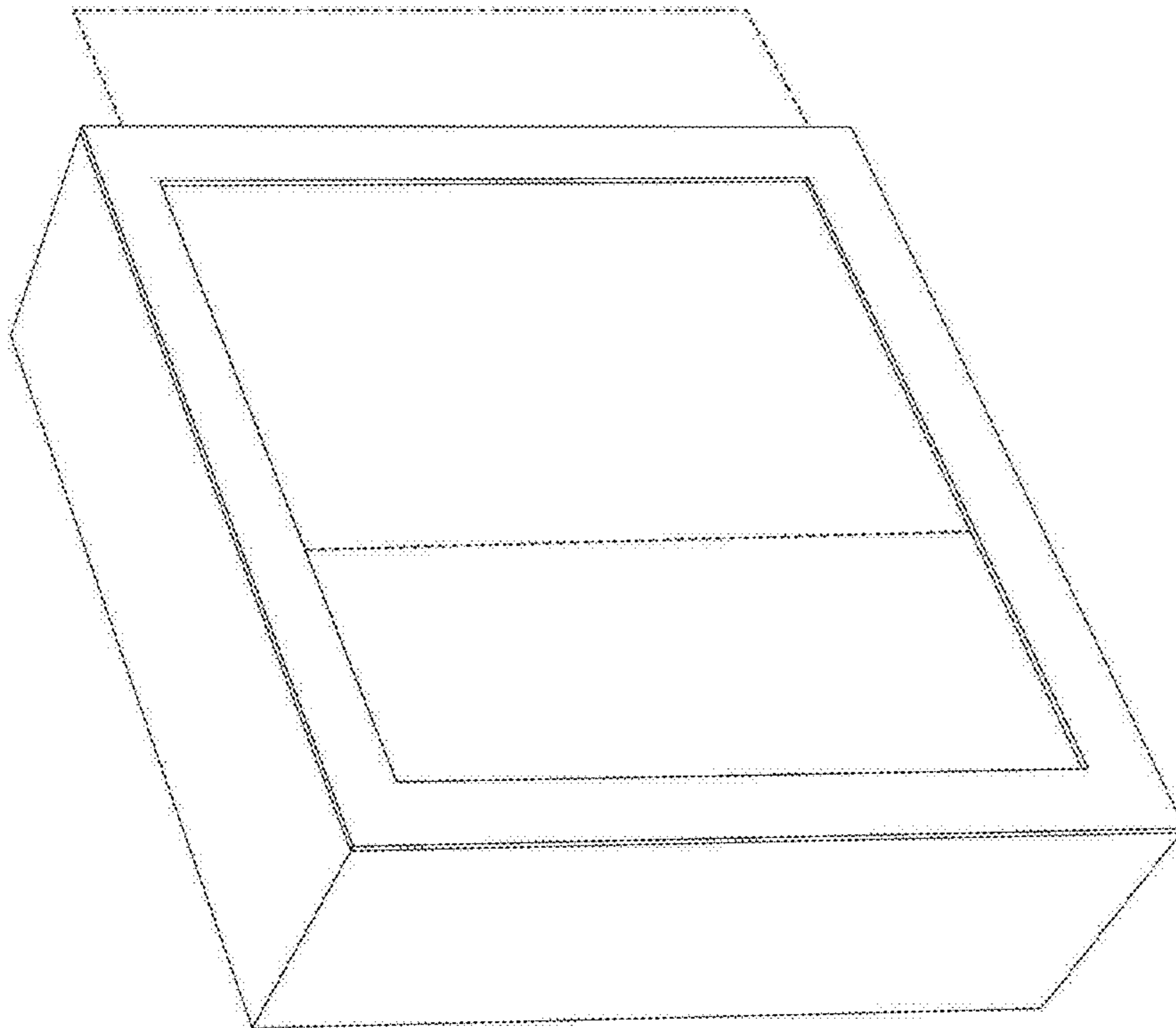


FIG. 2

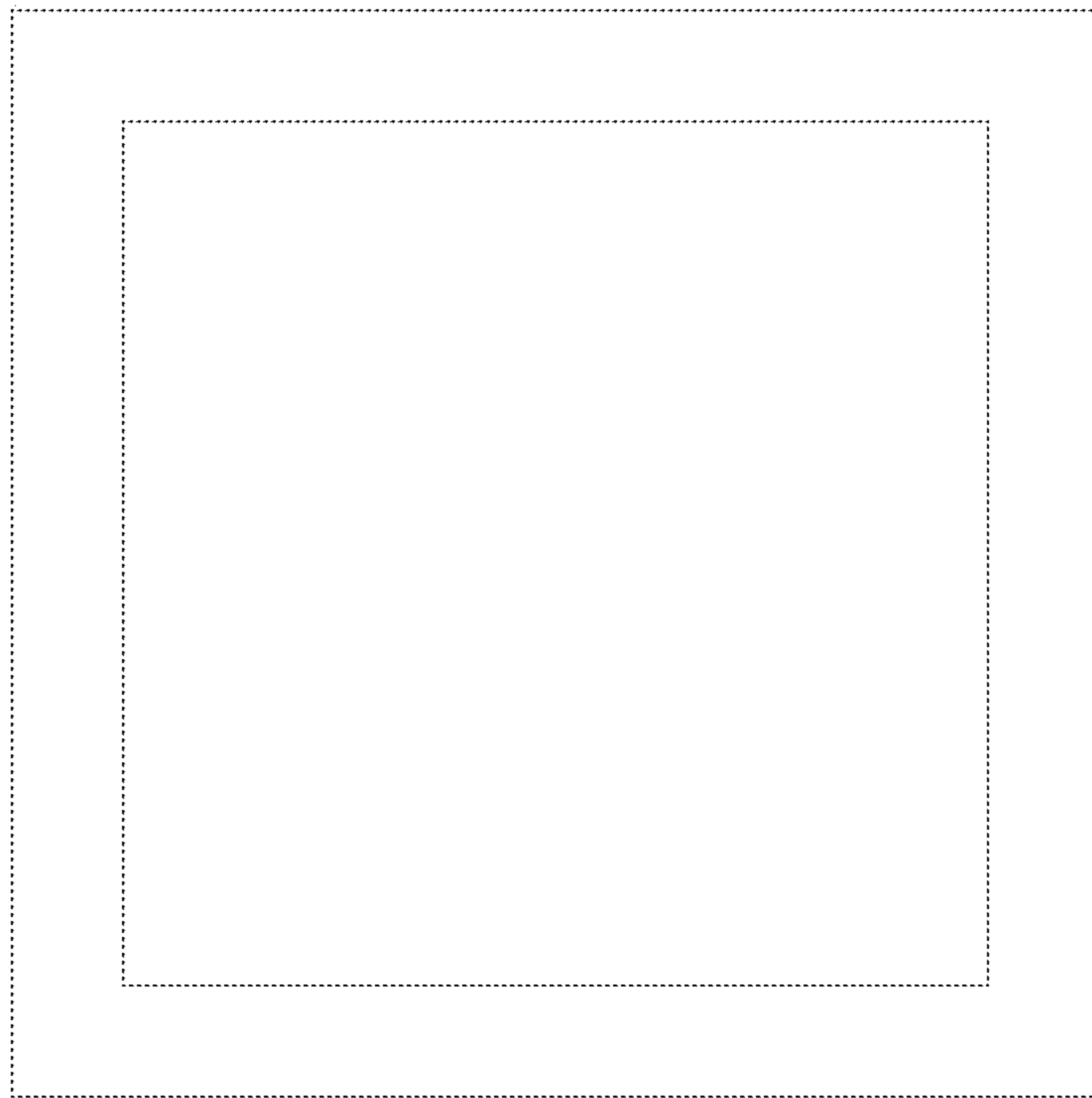


FIG. 3

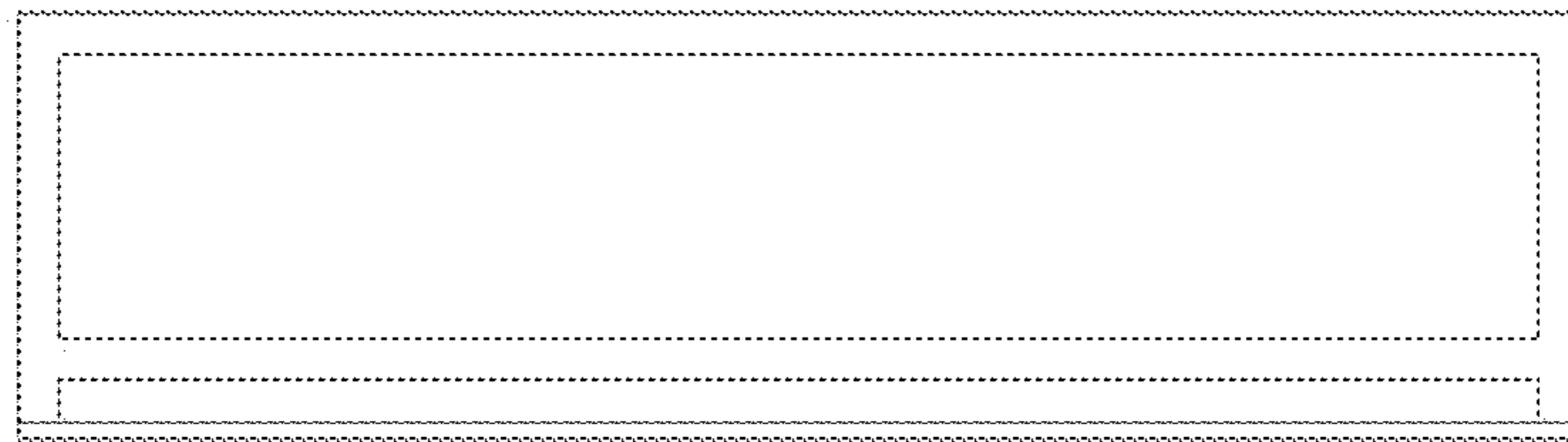


FIG. 4

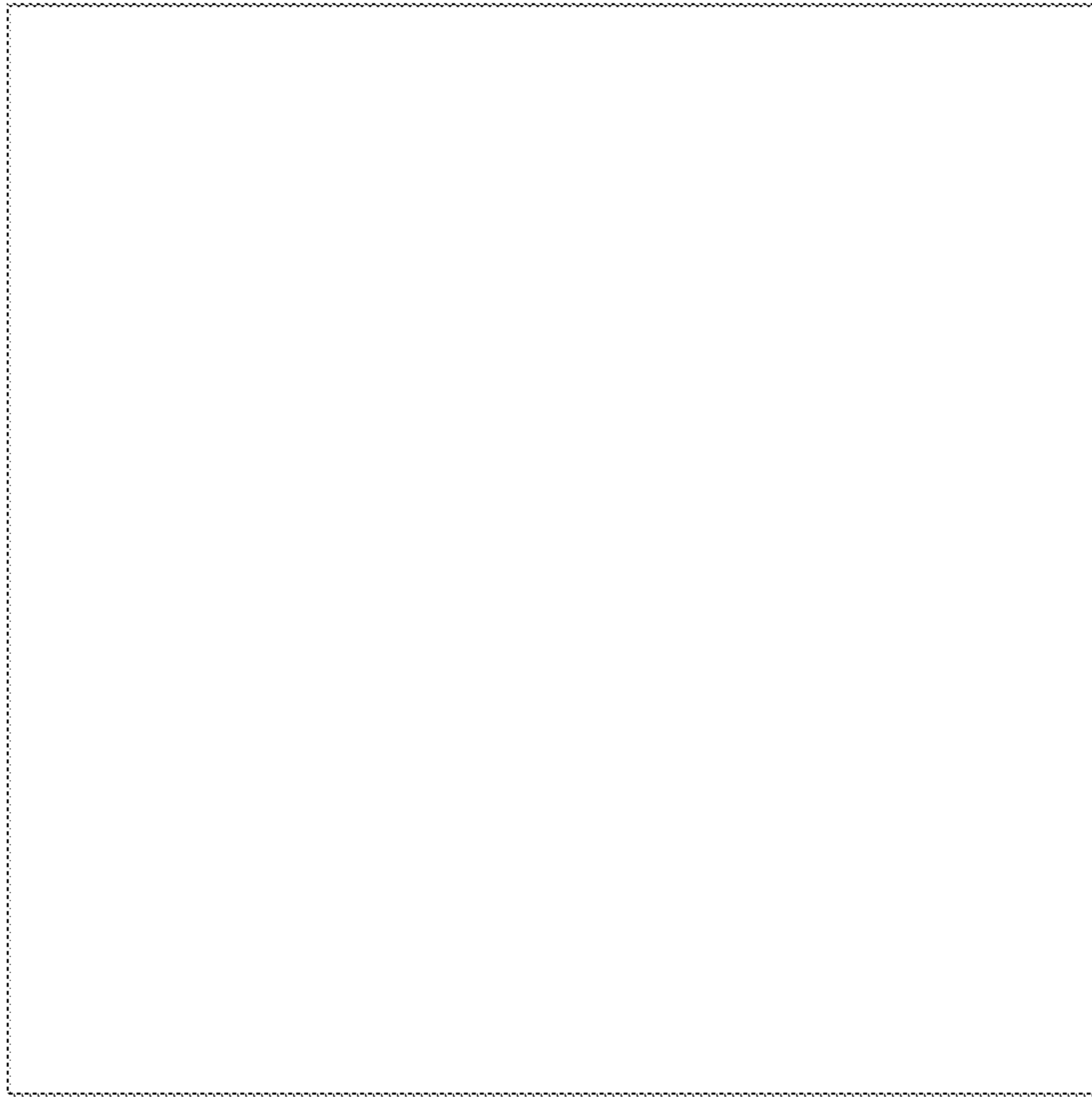


FIG. 5



FIG. 6

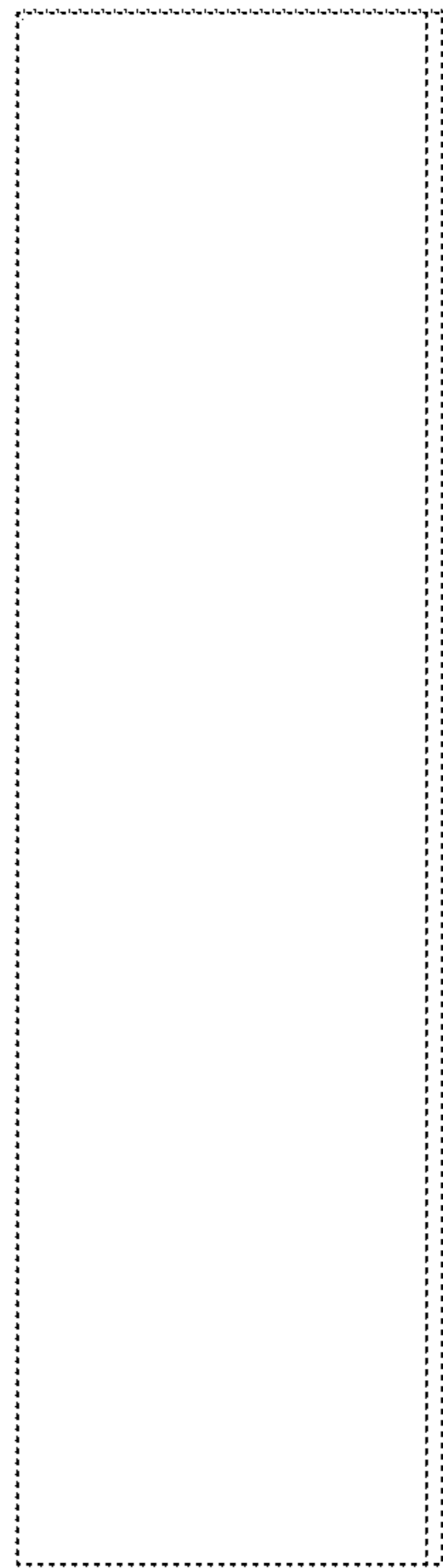


FIG. 7

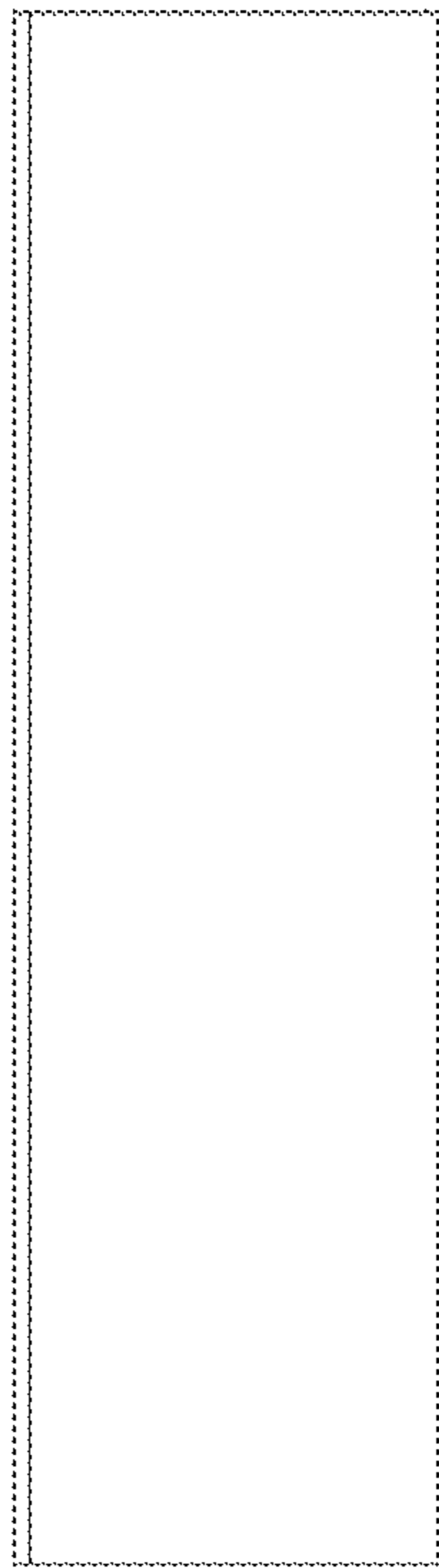


FIG. 8