



US00D904767S

(12) **United States Design Patent** (10) **Patent No.:** **US D904,767 S**  
**He** (45) **Date of Patent:** **\*\* Dec. 15, 2020**

(54) **COSMETIC BRUSH SET**  
(71) Applicant: **Zhichun He**, Xiangxiang (CN)  
(72) Inventor: **Zhichun He**, Xiangxiang (CN)  
(\*\*) Term: **15 Years**  
(21) Appl. No.: **29/665,056**  
(22) Filed: **Sep. 29, 2018**  
(51) **LOC (12) Cl.** ..... **04-99**  
(52) **U.S. Cl.**  
USPC ..... **D4/124**  
(58) **Field of Classification Search**  
USPC ..... D4/124, 127, 107; D26/95; D9/560,  
D9/451; D21/831, 510, 460; D11/157;  
D7/354, 619  
CPC ..... E04B 1/3404  
See application file for complete search history.

D470,558 S \* 2/2003 Gutknecht ..... D21/831  
D509,265 S \* 9/2005 Lemesle ..... D21/510  
D590,541 S \* 4/2009 Chaoui ..... D27/162  
D595,962 S \* 7/2009 Nanda ..... D4/107  
D609,064 S \* 2/2010 Najaryan ..... D7/619.1  
D614,706 S \* 4/2010 Lemesle ..... D21/460  
D657,615 S \* 4/2012 Pierce ..... D7/354  
D676,666 S \* 2/2013 Nelson ..... D4/127  
D681,955 S \* 5/2013 Paris ..... D4/124  
D705,120 S \* 5/2014 Dubow ..... D11/157

\* cited by examiner

*Primary Examiner* — Rhea Shields

(57) **CLAIM**

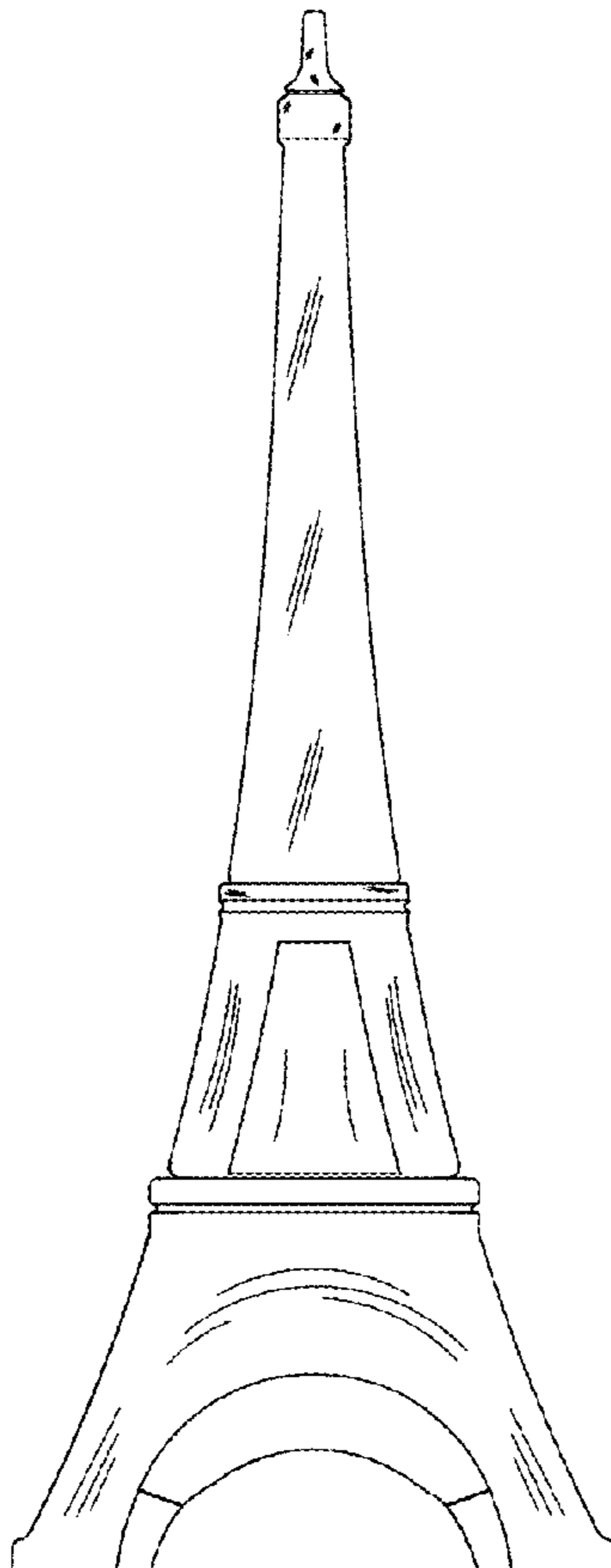
The ornamental design for a cosmetic brush set, as shown and described.

**DESCRIPTION**

FIG. 1 is a front side view of a cosmetic brush set (Excellence No. 3) showing the new design;  
FIG. 2 is a back side view thereof;  
FIG. 3 is a left side view thereof;  
FIG. 4 is a right side view thereof;  
FIG. 5 is a top view thereof;  
FIG. 6 is a bottom view thereof;  
FIG. 7 is a perspective view thereof; and,  
FIG. 8 is an exploded view thereof.  
The broken lines shown in drawings are for the purpose of illustrating portions of the cosmetic brush set and form no part of the claimed design.

(56) **References Cited**  
U.S. PATENT DOCUMENTS  
D167,179 S \* 7/1952 Stewart ..... D26/95  
D257,179 S \* 9/1980 Campo ..... D26/95  
D281,954 S \* 12/1985 Vogel ..... D9/638  
D310,626 S \* 9/1990 Dinand ..... D9/560  
5,072,555 A \* 12/1991 Geiger ..... E04B 1/3404  
52/148  
D388,321 S \* 12/1997 Chahed ..... D9/451

**1 Claim, 8 Drawing Sheets**



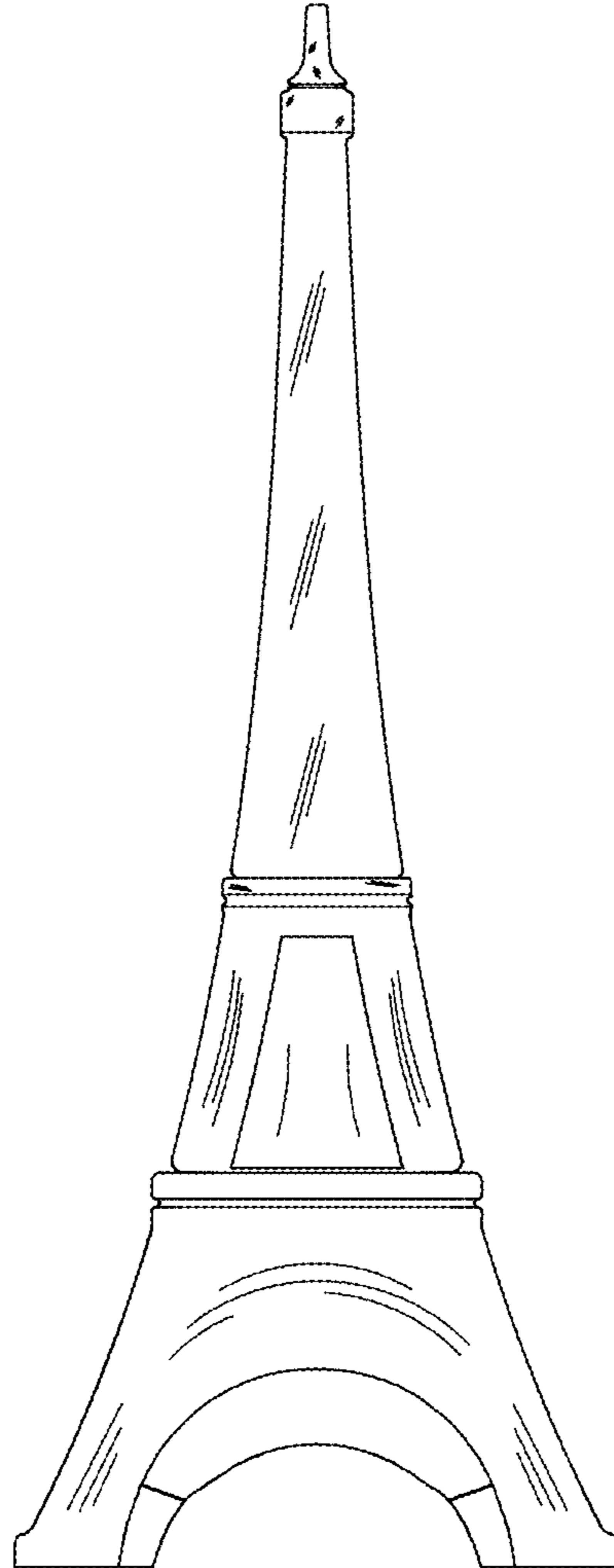


FIG.1

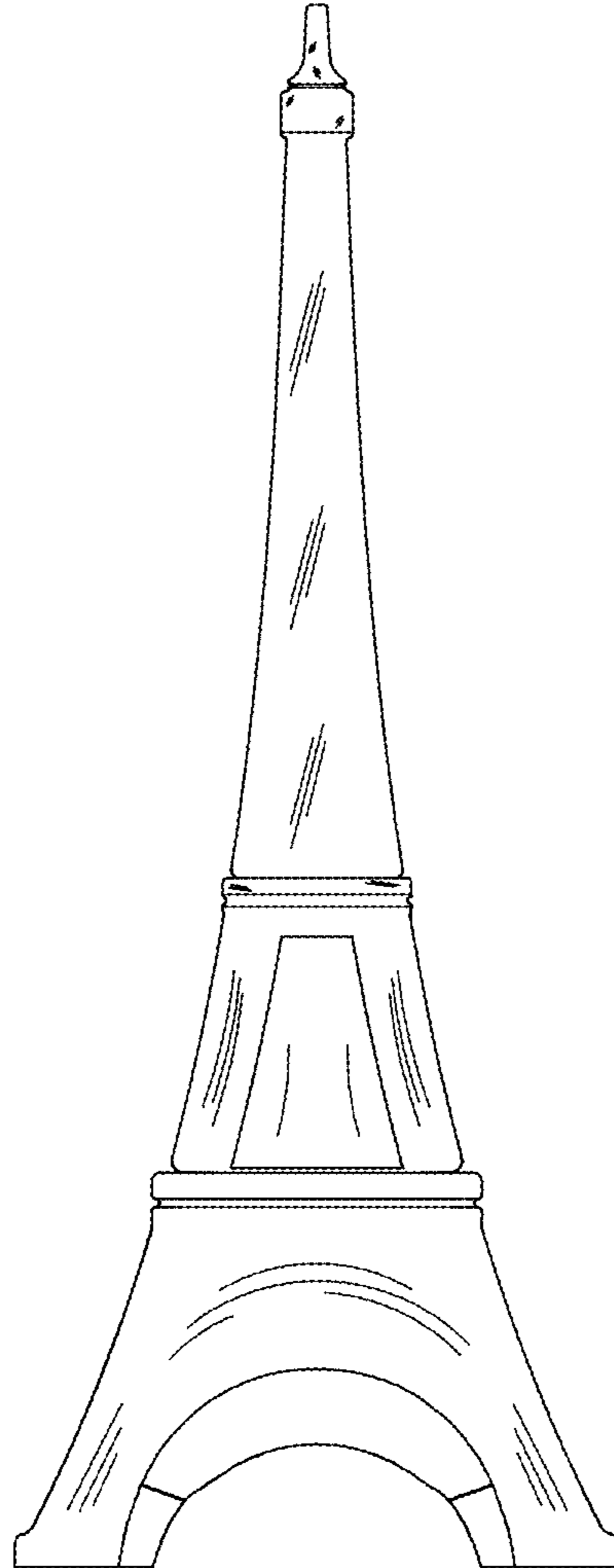


FIG.2

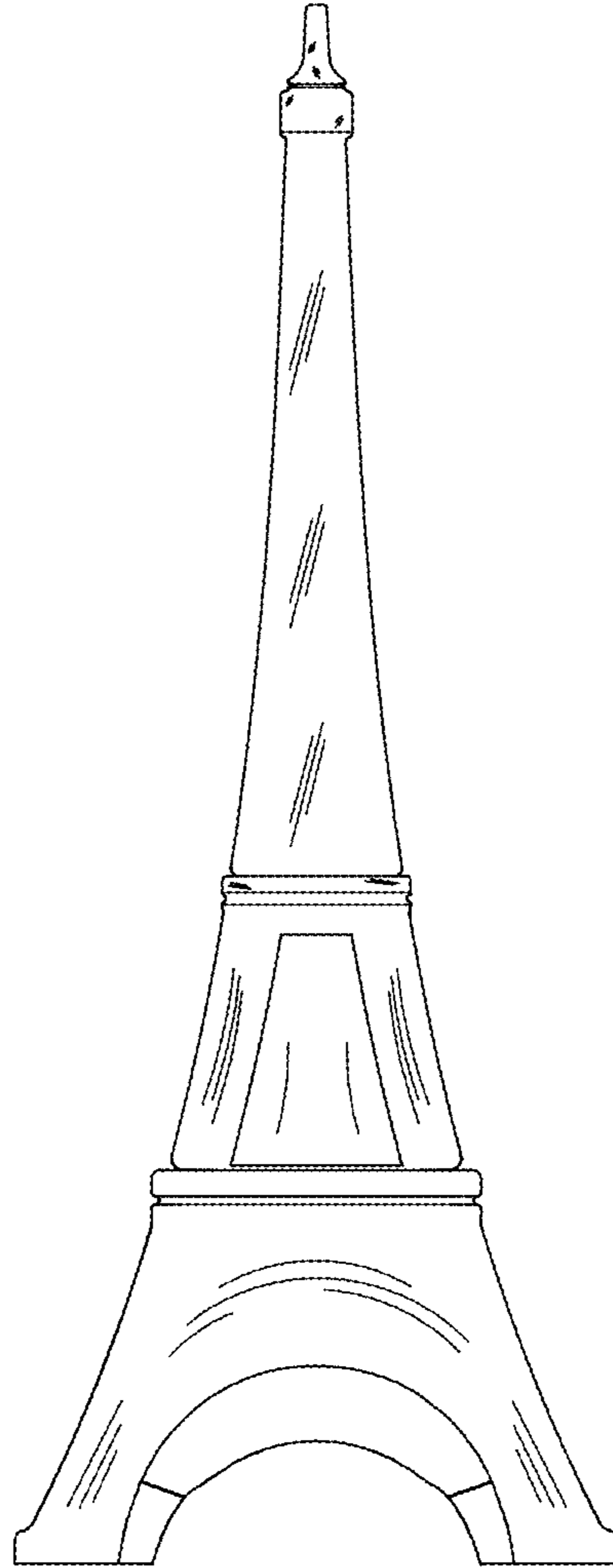


FIG.3

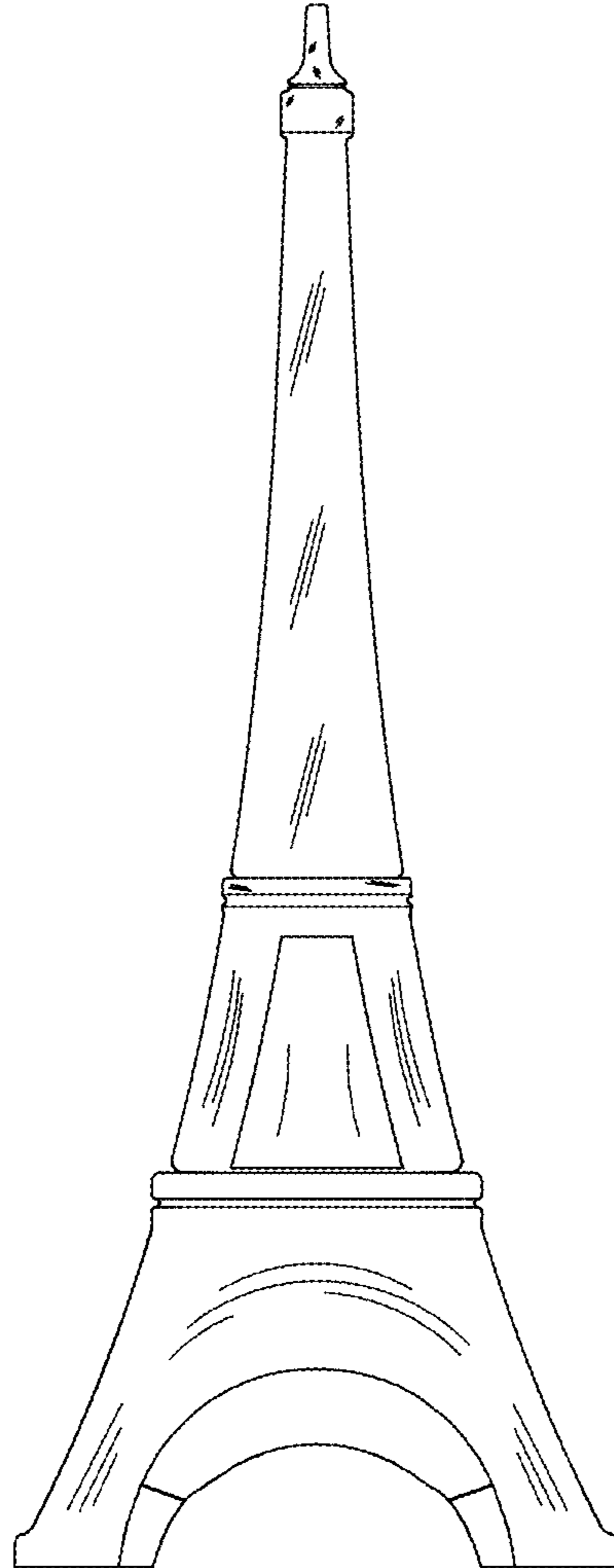


FIG.4

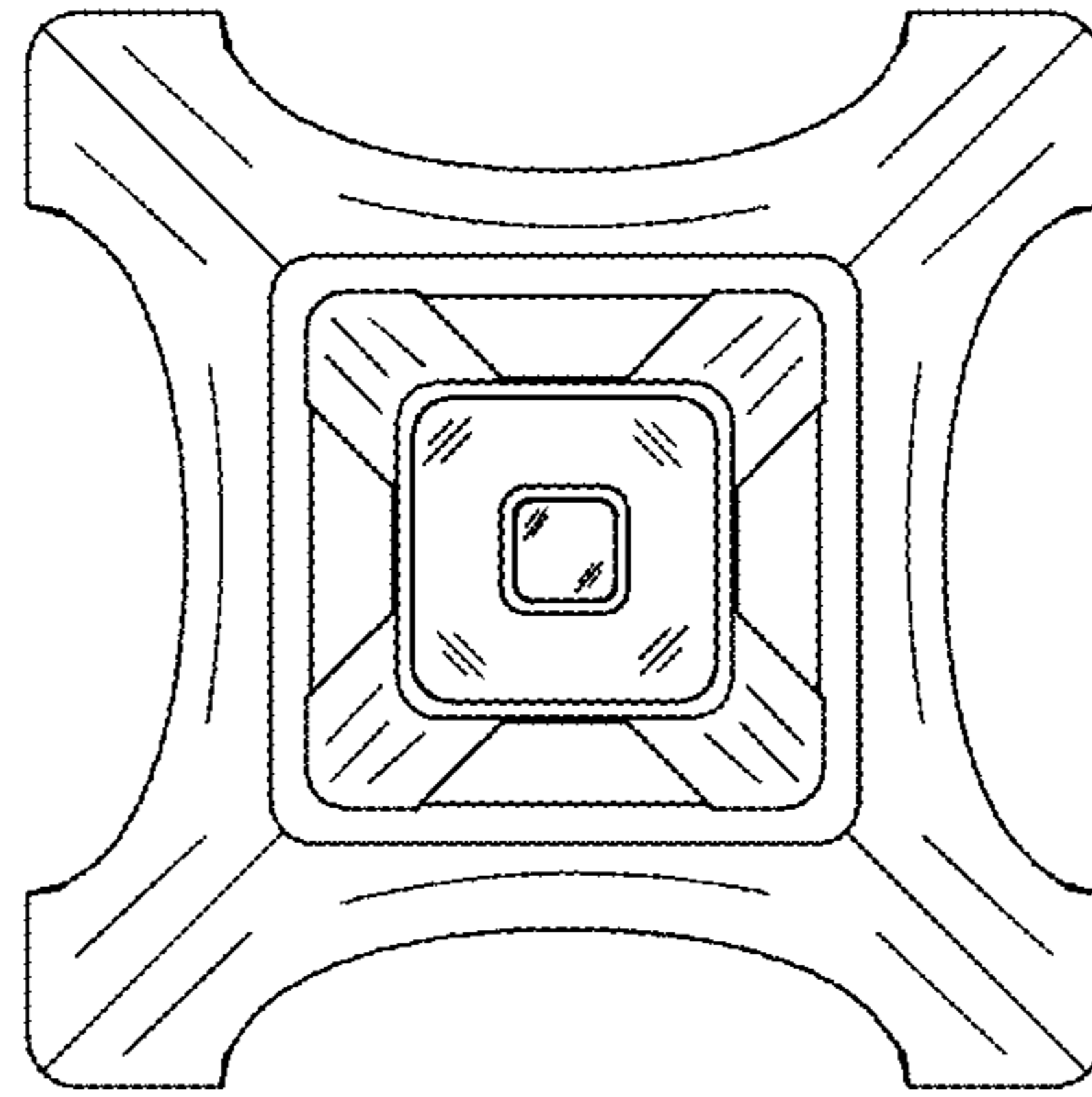


FIG.5

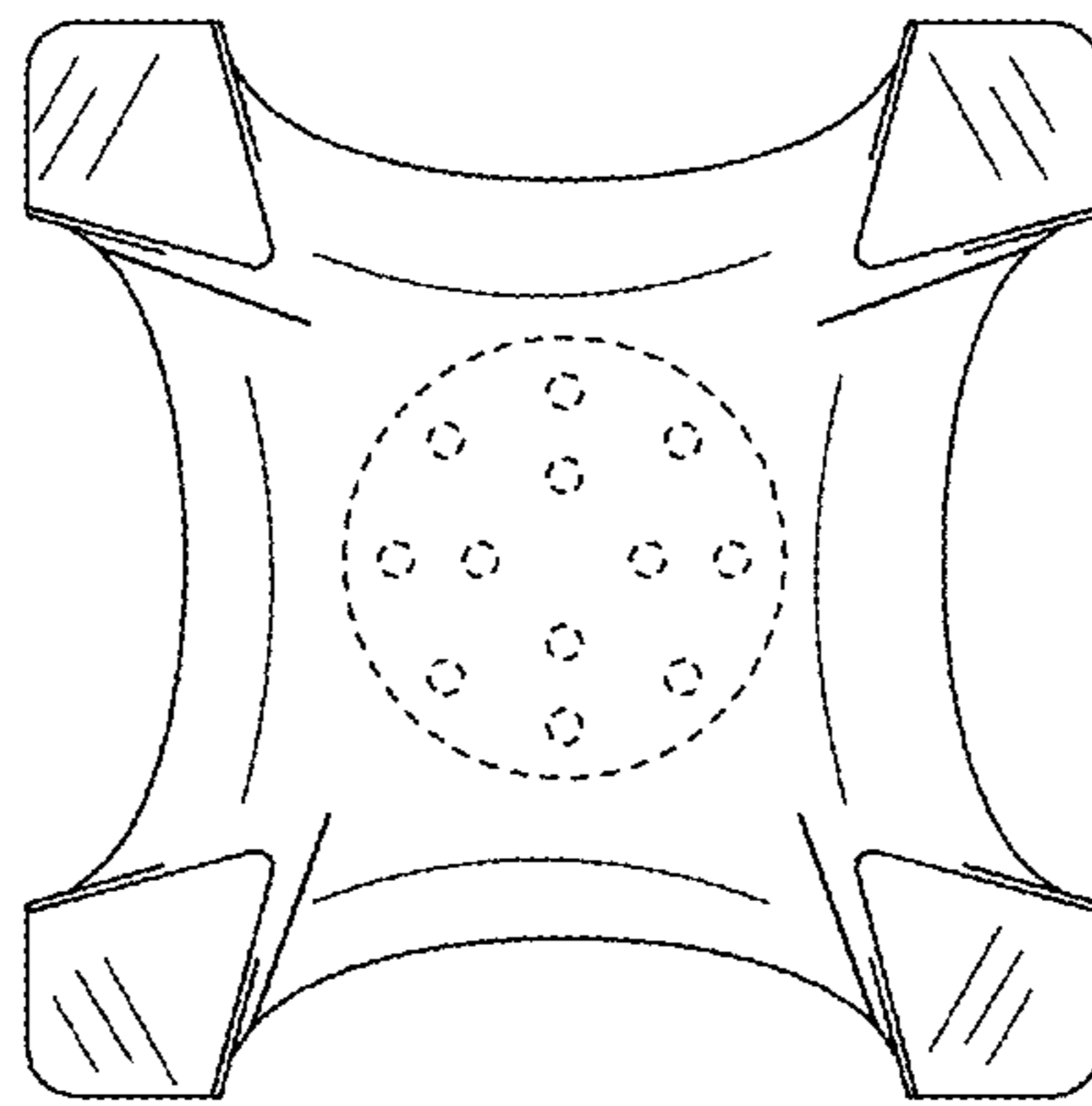


FIG.6

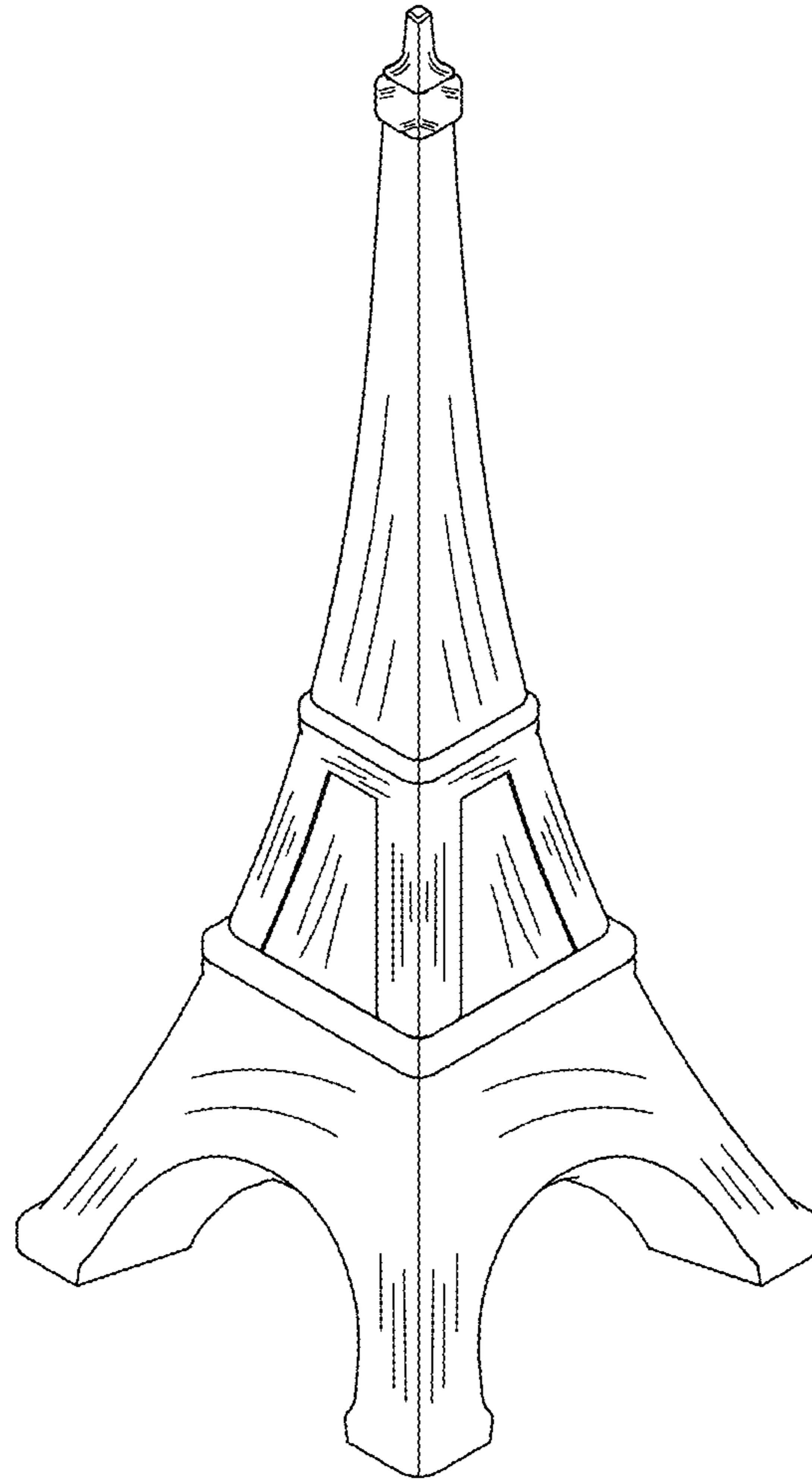


FIG.7



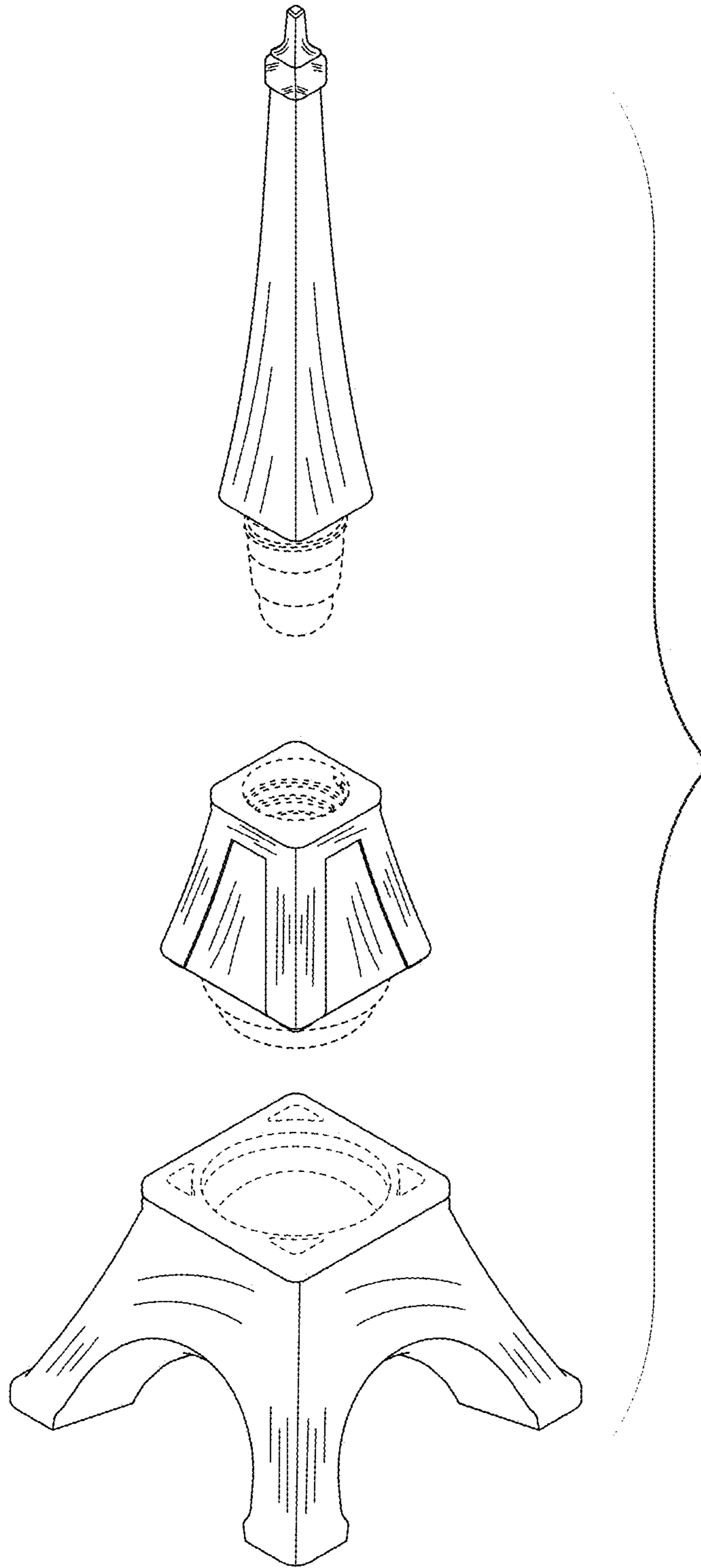


FIG. 8