



US00D904765S

(12) **United States Design Patent** (10) **Patent No.:** **US D904,765 S**  
**Hyun** (45) **Date of Patent:** **\*\* Dec. 15, 2020**

- (54) **CASE FOR CHARGING CASE**
- (71) Applicant: **SPIGEN KOREA CO., LTD.**, Seoul (KR)
- (72) Inventor: **Young Kwang Hyun**, Seoul (KR)
- (73) Assignee: **SPIGEN KOREA CO., LTD.**, Seoul (KR)

- D636,598 S 4/2011 Tseng et al.
- D676,654 S 2/2013 Weremchuk et al.
- D691,372 S 10/2013 Chun
- D707,446 S 6/2014 Svahn
- D709,699 S 7/2014 Hsu
- D733,154 S 6/2015 Armstrong et al.
- D738,110 S 9/2015 Jiang et al.
- D740,018 S 10/2015 Zhang et al.

(Continued)

- (\*\*) Term: **15 Years**
- (21) Appl. No.: **29/721,876**
- (22) Filed: **Jan. 23, 2020**

**Related U.S. Application Data**

- (63) Continuation of application No. 29/684,401, filed on Mar. 20, 2019.
- (51) **LOC (12) Cl.** ..... **03-01**
- (52) **U.S. Cl.**  
USPC ..... **D3/302; D13/103**
- (58) **Field of Classification Search**  
USPC ..... D3/201, 218, 273, 274, 294, 295, 208,  
D3/212, 302, 266; D14/217, 221, 223,  
D14/496; D13/118, 103  
CPC ..... A45C 13/002; A45C 2011/001; H04R  
1/1025  
See application file for complete search history.

(56) **References Cited**

**U.S. PATENT DOCUMENTS**

- D259,596 S 6/1981 Gray
- D449,931 S 11/2001 Snider
- D452,611 S 1/2002 Redgrave
- D475,696 S 6/2003 Hussaini et al.
- D513,451 S \* 1/2006 Richardson ..... D3/273
- D524,046 S 7/2006 Pangerc et al.
- D586,557 S 2/2009 Jalet
- D604,501 S 11/2009 Lee
- D614,048 S 4/2010 Smith
- 7,775,354 B2 8/2010 Latchford et al.

**OTHER PUBLICATIONS**

Amazon, "Tensea Tough Armor Protective Cover for AirPods Pro . . . .", Jan. 13, 2020. (<https://www.amazon.com/dp/B083SPDGC5/>) (Year: 2020).\*

(Continued)

*Primary Examiner* — April Rivas

(74) *Attorney, Agent, or Firm* — Heedong Chae; Lucem, PC

(57) **CLAIM**

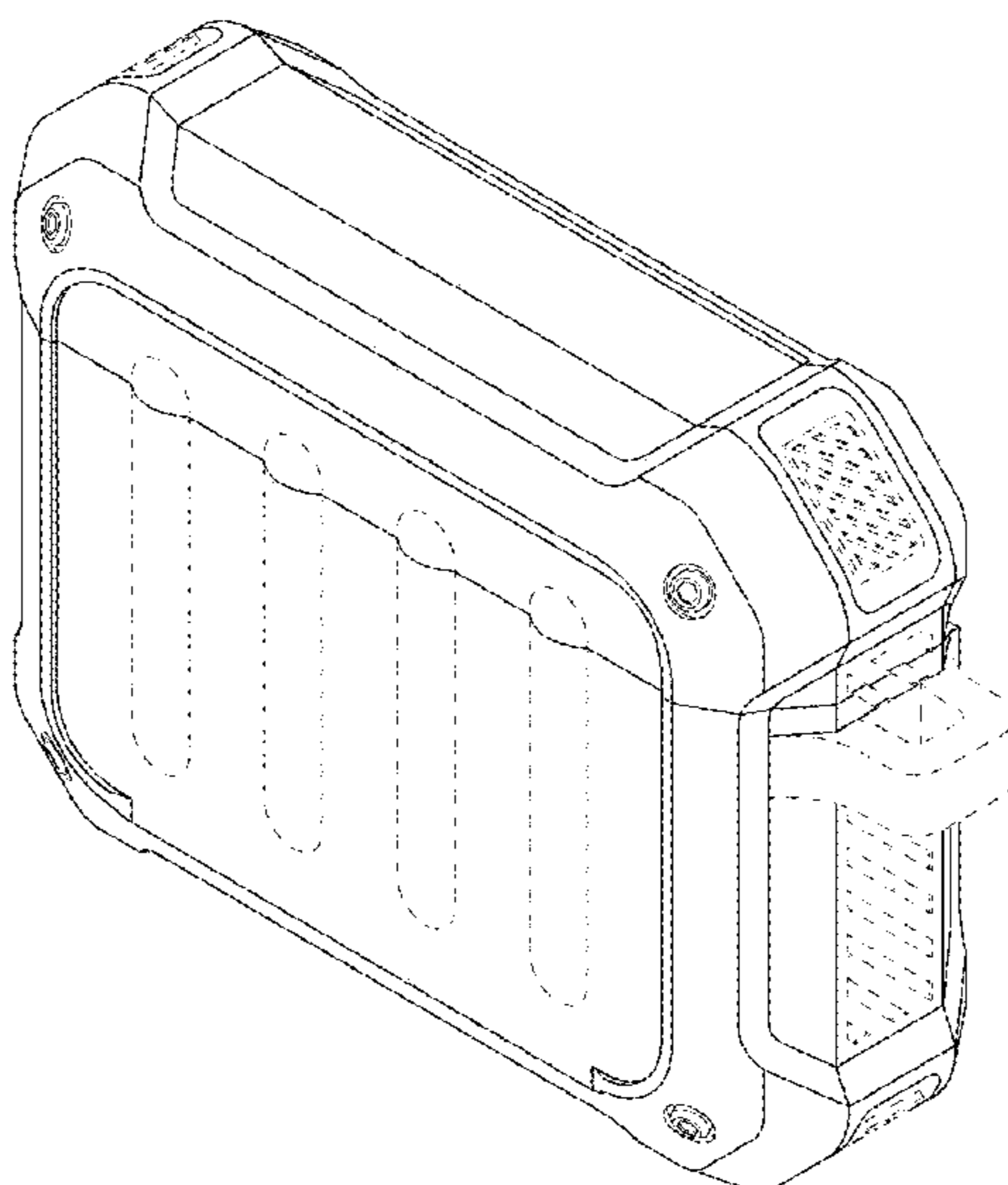
The ornamental design for a case for charging case, as shown and described.

**DESCRIPTION**

FIG. 1 is a front perspective view of a case for charging case showing my new design;  
FIG. 2 is a rear perspective view thereof;  
FIG. 3 is a front elevational view thereof;  
FIG. 4 is a rear elevational view thereof;  
FIG. 5 is a left side elevational view thereof;  
FIG. 6 is a right side elevational view thereof;  
FIG. 7 is a top plan view thereof;  
FIG. 8 is a bottom plan view thereof; and,  
FIG. 9 is an exploded front perspective view of the case for charging case.

The broken lines throughout the drawing figures depict portions of the case for charging case that form no part of the claimed design.

**1 Claim, 9 Drawing Sheets**



(56)

References Cited

U.S. PATENT DOCUMENTS

D747,303 S	1/2016	Su et al.	
D756,626 S	5/2016	Tollefsbol et al.	
D762,631 S	8/2016	Kim	
D786,787 S	5/2017	Yang	
D789,086 S	6/2017	Lin	
D791,754 S	7/2017	Armstrong et al.	
D793,074 S	8/2017	Tollefsbol et al.	
D794,617 S *	8/2017	Wright .....	D14/203.3
D794,618 S	8/2017	Wright et al.	
D794,625 S	8/2017	Armstrong et al.	
D802,576 S	11/2017	Ahn	
D802,577 S	11/2017	Ahn	
D806,082 S	12/2017	Armstrong et al.	
D806,388 S	1/2018	Akana et al.	
D808,653 S	1/2018	Rayeski et al.	
D809,454 S	2/2018	Zhou et al.	
D812,618 S	3/2018	Altaras	
D813,909 S	3/2018	Lacy-Nichols	
D816,651 S	5/2018	Chiang et al.	
D817,640 S	5/2018	Dang et al.	
D820,820 S	6/2018	Ahn	
D823,246 S	7/2018	Lin	
D823,788 S	7/2018	Wei	
D829,213 S	9/2018	Szeremeta et al.	
D834,301 S	11/2018	Poissant	
D835,081 S	12/2018	Luo	
D838,480 S	1/2019	Son et al.	
D840,333 S	2/2019	Cooper et al.	
D841,580 S	2/2019	Bao	
D841,581 S	2/2019	Bonahoom et al.	
D843,364 S	3/2019	Sasaki et al.	
D843,937 S	3/2019	Xiao	
D846,264 S	4/2019	Wu	
D846,542 S	4/2019	Sasaki et al.	
D849,401 S	5/2019	Akana et al.	
D850,456 S	6/2019	Armstrong et al.	
D851,586 S	6/2019	Liu	
D852,182 S	6/2019	Hyun	
D853,108 S	7/2019	Zaihui	
D853,357 S *	7/2019	Li .....	D14/217
D858,994 S	9/2019	Chang	
D860,981 S	9/2019	Yuan	
D862,425 S	10/2019	Yan	
D863,285 S	10/2019	Chen	
D863,286 S	10/2019	Hong	
D864,110 S	10/2019	Yoshimura	
D864,861 S	10/2019	Roberts	
D864,971 S	10/2019	Lee et al.	
D865,739 S	11/2019	Altschul et al.	
D868,453 S	12/2019	Lee et al.	
D868,465 S	12/2019	Lee et al.	
D868,788 S	12/2019	Weng	
D869,147 S *	12/2019	Lian .....	D3/201
D869,161 S *	12/2019	Zhong .....	D3/294
D869,163 S	12/2019	Maguire	
D870,037 S	12/2019	Lee	
D870,451 S	12/2019	Birger	
D872,094 S	1/2020	Wright et al.	
D872,468 S	1/2020	Lee et al.	
D872,469 S	1/2020	Lee et al.	
D872,723 S	1/2020	Lee et al.	
D872,724 S	1/2020	Lee et al.	
D873,019 S	1/2020	Seibert	
D873,217 S	1/2020	Zhang	
D881,867 S *	4/2020	Lee .....	D14/250
D882,259 S *	4/2020	Liu .....	D3/269
2006/0274493 A1	12/2006	Richardson et al.	
2016/0084454 A1	3/2016	Svitak, Sr. et al.	
2019/0208342 A1	7/2019	Higgins et al.	

OTHER PUBLICATIONS

Amazon, “SupCase Unicorn Beetle Pro Series Funda . . .”, Dec. 23, 2019. (<https://www.amazon.com/dp/B0831FS6FZ/>) (Year: 2019).\*

Amazon, “Spigen Tough Armor—Funda para Apple AirPods Pro . . .”, Oct. 28, 2019. (<https://www.amazon.com/Spigen-Tough-Armor-Designed-Airpods/dp/B07ZPG3PH4>) (Year: 2019).\*

“Spigen Tough Armor iPhone SE/5S/5 Case with Extreme Heavy Duty Protection and Air Cushion Technology for iPhone SE/iPhone 5S/iPhone 5—Metal Slate”, <https://www.amazon.com/Spigen-Extreme-Protection-Cushion-Technology/dp/B00DMKGPP4>, Earliest review date of Aug. 1, 2013, Downloaded on Aug. 9, 2018.

“Spigen Tough Armor Galaxy S5 Case with Extreme Heavy Duty Protection and Air Cushion Technology for Samsung Galaxy S5 2014—Gunmetal”, <https://www.amazon.com/Spigen-Extreme-Protection-Cushion-Technology/dp/B00I3UWDV8>, Earliest review date of Mar. 9, 2014, Downloaded on Aug. 9, 2018.

“Spigen Tough Armor iPhone 6 Case with Extreme Heavy Duty Protection and Air Cushion Technology for iPhone 6S/iPhone 6—Smooth Black”, <https://www.amazon.com/Spigen-Extreme-Protection-Cushion-Technology/dp/B00NSSX23I>, Earliest review date of Aug. 14, 2014, Downloaded on Aug. 9, 2018.

“Spigen Tough Armor Galaxy Note 4 Case with Extreme Heavy Duty Protection and Air Cushion Technology for Samsung Galaxy Note 4 2014—Gunmetal”, <https://www.amazon.com/dp/B00MAWQU14>, Earliest review date of Oct. 9, 2014, Downloaded on Aug. 31, 2018.

“Spigen Tough Armor Galaxy S6 Case with Kickstand and Air Cushion Techonology for Galaxy S6 2015—Gunmetal”, <https://www.amazon.com/dp/B00QU4PUKK>, Earliest review date of Mar. 23, 2015, Downloaded on Aug. 9, 2018.

“Rugged Armor Designed for Apple Watch Case for 42mm Series 3/Series 2/1/Original (2015)—Black”, <https://www.amazon.com/Spigen-Rugged-Resilient-Absorption-Original/dp/B00UVSNQPM>, Earliest review date of Apr. 30, 2015, Downloaded on Jan. 15, 2019.

“Spigen Tough Armor Designed for Apple Watch Case and Built in Screen Protector for 42mm (2015)—Gunmetal”, <https://www.amazon.com/Spigen-Extreme-Protection-Screen-Protector/dp/B00UVSOWBY>, Earliest review date of May 7, 2015, Downloaded on Jan. 15, 2019.

Spigen Tough Armor iPhone 6S Case with Extreme Heavy Duty Protection and Air Cushion Technology for iPhone 6S/iPhone 6—Rose Gold, <https://www.amazon.com/dp/B013TKNNGK>, Earliest review date of Aug. 30, 2015, Downloaded on Aug. 8, 2018.

“Spigen Tough Armor Galaxy S7 Case with Extreme Heavy Duty Protection and Air Cushion Technology for Samsung Galaxy S7 2016—Gunmetal”, <https://www.amazon.com/dp/B01A7ID3PS>, Earliest review date of Feb. 25, 2016, Downloaded on Aug. 9, 2018.

“Spigen Tough Armor iPhone 7 Case with Jet Black Optimized Color and Extreme Heavy Duty Protection and Air Cushion Technology for iPhone 7 2016—Jet Black”, <https://www.amazon.com/Spigen-Optimized-Extreme-Protection-Technology/dp/B01LRSFLFM>, Earliest review date of Sep. 25, 2016, Downloaded on Aug. 9, 2018.

“Spigen Tough Armor Designed for Apple Watch Case for 42mm Series 3 / Series 2/1 / Original (2015) / Nike+ Sport Edition and Built in Screen Protector—Gunmetal”, <https://www.amazon.com/dp/B01N74P26H>, Earliest review date of Jan. 4, 2017, Downloaded on Jan. 15, 2019.

“Spigen Rugged Armor Extra Designed for LG G6 Case (2017) / Designed for LG G6 Plus (2017)—Black”, <https://www.amazon.com/Spigen-Rugged-Resilient-Absorption-Carbon/dp/B01N6T9PHS>, Earliest review date of Mar. 28, 2017, Downloaded on Jan. 9, 2020.

“Spigen Tough Armor Galaxy S8 Case with Kickstand and Extreme Heavy Duty Protection and Air Cushion Technology for Samsung Galaxy S8 (2017)—Black”, <http://www.amazon.com/dp/B0716CZ3Z1>, Earliest review date of Apr. 9, 2017, downloaded on Aug. 9, 2018.

Spigen, “Spigen Rugged Armor Extra”, <https://www.youtube.com/watch?v=ILUEjn1P2hk>, Published on May 26, 2017, Downloaded on Jan. 9, 2020.

“Spigen Rugged Armor Extra Galaxy Temp Case with Resilient Shock Absorption and Carbon Fiber Design for Galaxy Temp (2017)—Black”, <https://www.amazon.com/Spigen-Rugged-Galaxy->

(56)

**References Cited**

## OTHER PUBLICATIONS

Resilient-Absorption/dp/B01MTEQVNB, Earliest review date of Jul. 6, 2017, Downloaded on Jan. 9, 2020.

“Spigen Rugged Crystal Designed for Samsung Galaxy Note 8 Case (2017)—Crystal Clear”, <https://www.amazon.com/Spigen-Rugged-Crystal-Designed-Samsung/dp/B073RWTZ5M>, Earliest review date of Aug. 30, 2017, Downloaded on Jan. 9, 2020.

“Spigen Tough Armor [2nd Generation] iPhone 8 Case/iPhone 7 Case with Kickstand and Heavy Duty Protection and Air Cushion Technology for Apple iPhone 8 (2017)/iPhone 7 (2016)—Gunmetal”, <http://www.amazon.com/dp/B07482KVD3>, Earliest review date of Sep. 2, 2017, downloaded on Aug. 9, 2018.

“Spigen Rugged Armor Extra Designed for Apple iPhone 7 Case (2016)—Black”, <https://www.amazon.com/Spigen-Rugged-iPhone-Resilient-Absorption/dp/B06XC8WL7P>, earliest review date of Sep. 7, 2017, downloaded on Jan. 9, 2020.

“Spigen Tough Armor [2nd Generation] Designed for Apple Watch Case for 42mm Series 3 / Series 2 / Nike+ Sport Edition—Black”, <https://www.amazon.com/Spigen-Tough-Armor-Generation-Designed/dp/B075FJT3FK>, Earliest review date of Dec. 30, 2017, downloaded on Jan. 15, 2019.

“Spigen Tough Armor [2nd Generation] for Apple Watch Case 38mm with Extreme Heavy Duty Protection and No Built in Screen Protector for Apple Watch Series 3 / Series 2 / Nike+ Sport Edition—Matte Black”, <https://www.amazon.com/Spigen-Generation-Extreme-Protection-Protector/dp/B075FL41B5>, Earliest review date of Jan. 6, 2017, downloaded on Jan. 15, 2019.

“Spigen Tough Armor Galaxy S9 Plus Case with Reinforced Kickstand and Heavy Duty Protection and Air Cushion Technology for

Samsung Galaxy S9 Plus (2018)—Lilac Purple”, <http://www.amazon.com/dp/B078BBPY98>, Earliest review date of Mar. 1, 2018, downloaded on Jan. 15, 2019.

“Spigen Apple Watch 38mm Slim Armor Case—Space Gray”, <https://www.amazon.com/Spigen-Apple-Watch-38mm-Armor/dp/B076CDNZ4V>, Earliest review date of Mar. 9 2018, downloaded on Jan. 16, 2019.

Unlockboot, “8 Best AirPods Cases Reviewed—Protective AirPods Covers”, <https://www.unlockboot.com/best-airpods-cases/>, Published on Aug. 22, 2018, Downloaded on Feb. 24, 2020.

Allison Bowsher, “These AirPod Cases Survive Big Drops—Even in the Water”, <https://spy.com/articles/gadgets/mobile/best-airpods-cases-waterproof-amazon-148420/>, Published on Jan. 2, 2019, Downloaded on Feb. 24, 2020.

“Lwsengme Cover Compatible with Apple Airpods case 1& New Air Pods 2,3-Proof Silicone Charging Case with Keychain Compatible with Apple Airpod Accessories(NOT Compatible with Wireless Charging Case)”, <https://www.amazon.com/Lwsengme-Compatible-Silicone-Charging-Accessories/dp/B07CGB415P>, Earliest review of Aug. 24, 2017, Downloaded on Jun. 26, 2020.

“JETech Case for Apple AirPods (1st & 2nd Generation), Portable Silicone Protective Cover (Front Led Visible) with Carabiner, Black”, <https://www.amazon.com/JETech-Generation-Portable-Protective-Carabiner/dp/B07QPV9ZSS>, Earliest photo review of Jul. 5, 2019, Downloaded on Jul. 31, 2020.

“AirPods Case Cover, Zora Shockproof Protective Soft TPU Clear Apple Air Pods 1&2 Cover Case (Front Led Visible) Headphone Case with Cute Fur Ball Anti-Lost Keychain for Girls (Airpods 2, Pink)”, <https://www.amazon.com/Zora-Shockproof-Protective-Headphone-Anti-Lost/dp/B07XCKMM6X>, Earliest photo review of Oct. 8, 2019, Downloaded on Jul. 31, 2020.

\* cited by examiner

FIG. 1

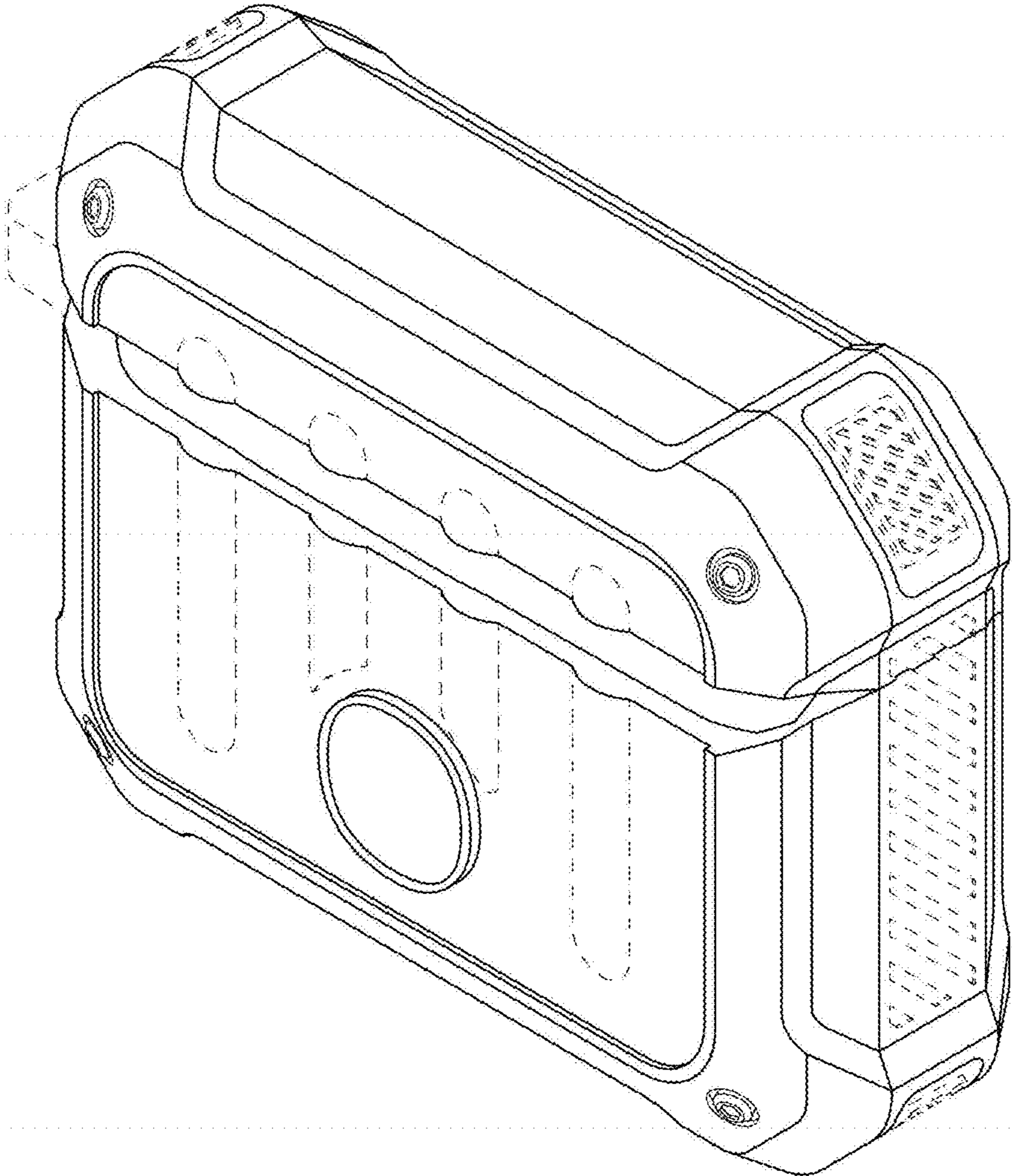


FIG. 2

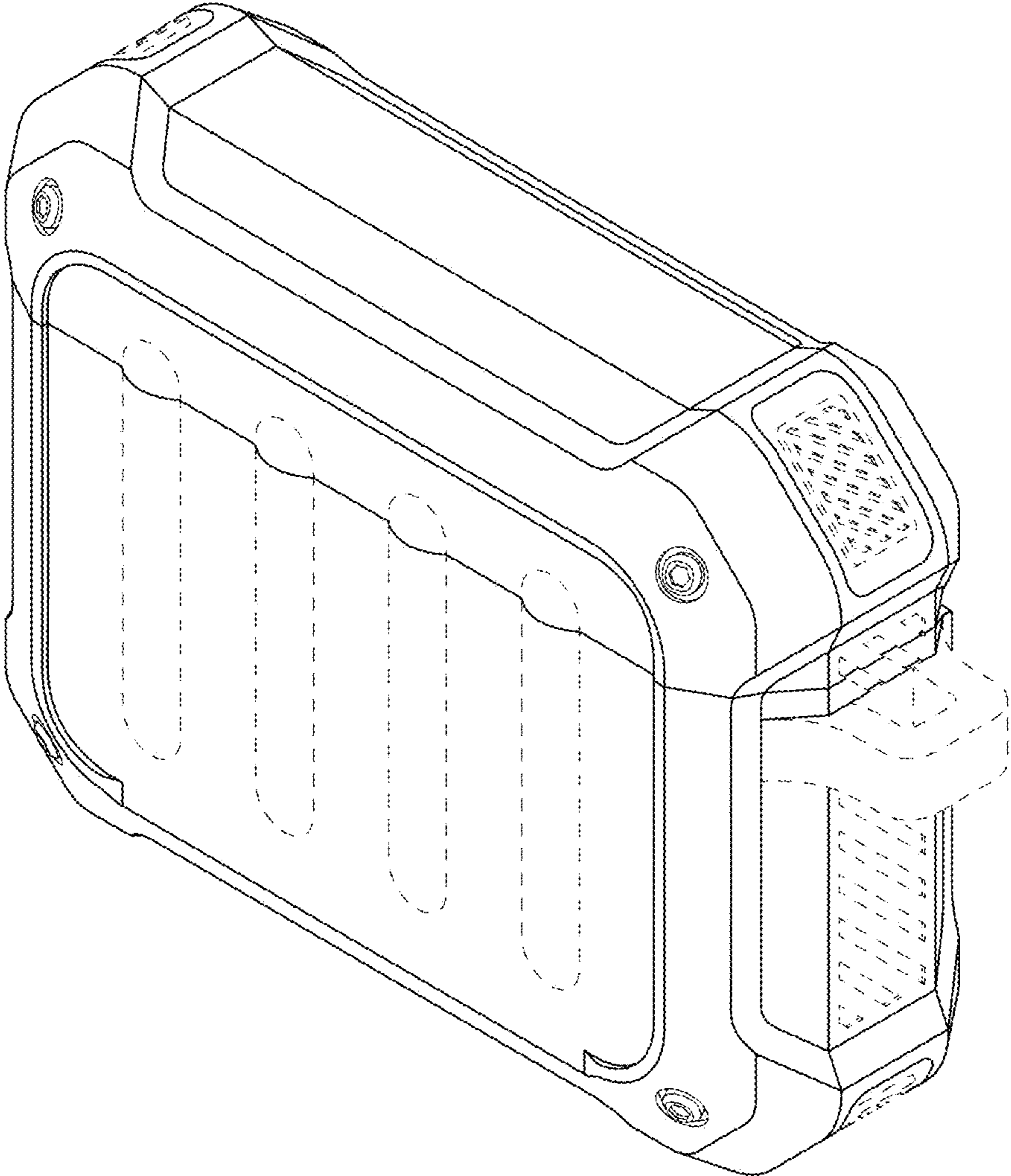


FIG. 3

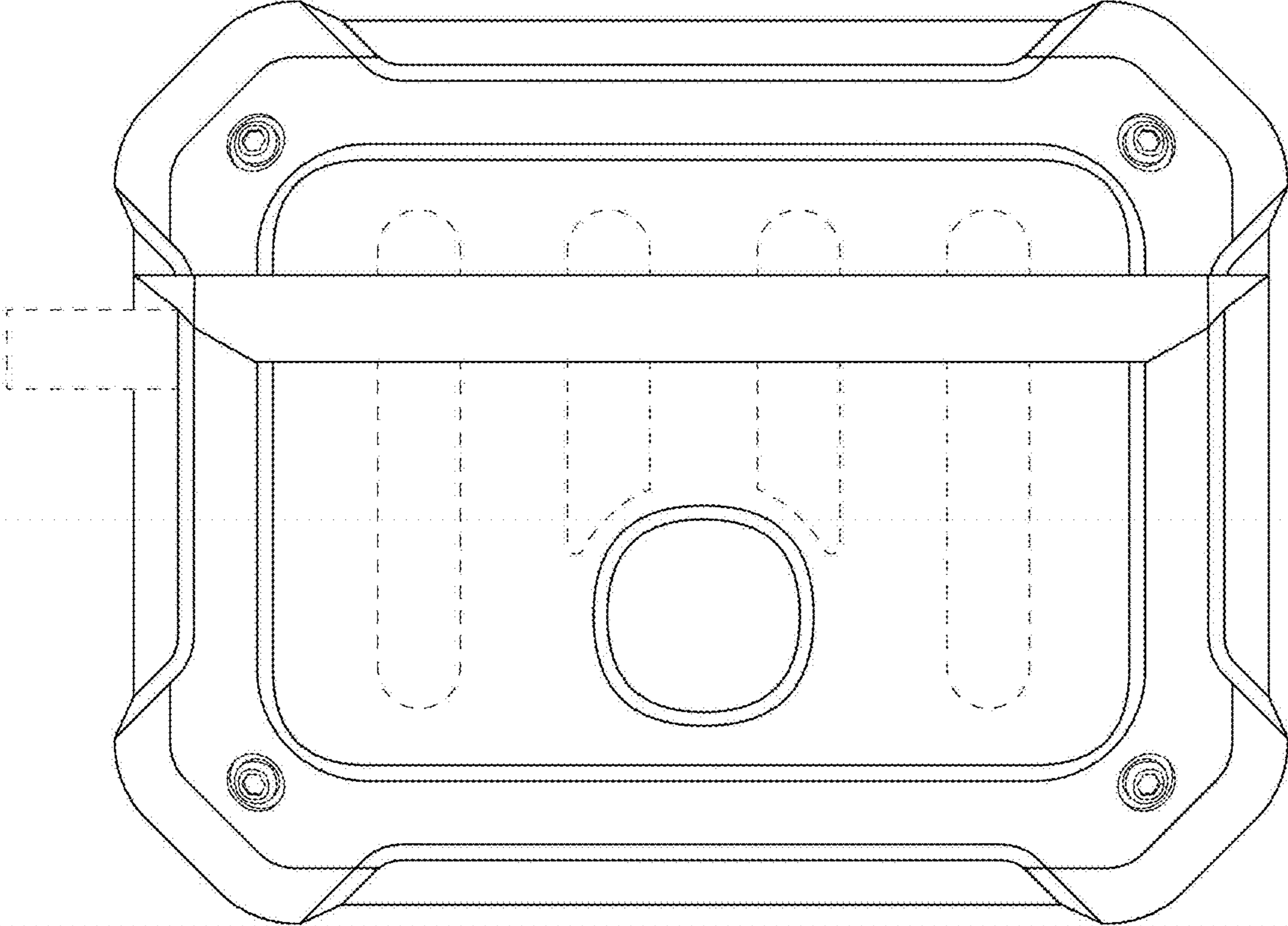


FIG. 4

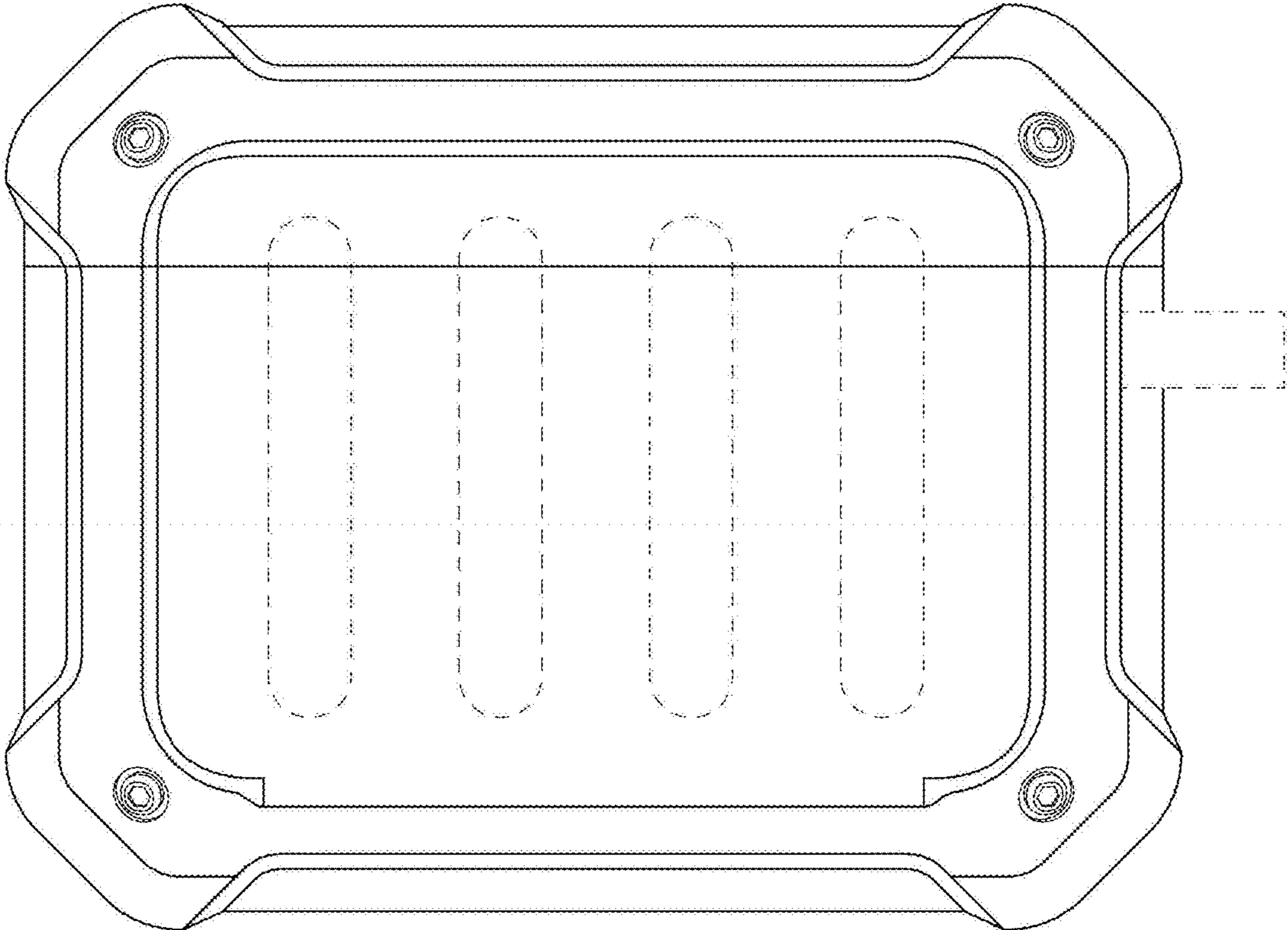


FIG. 5

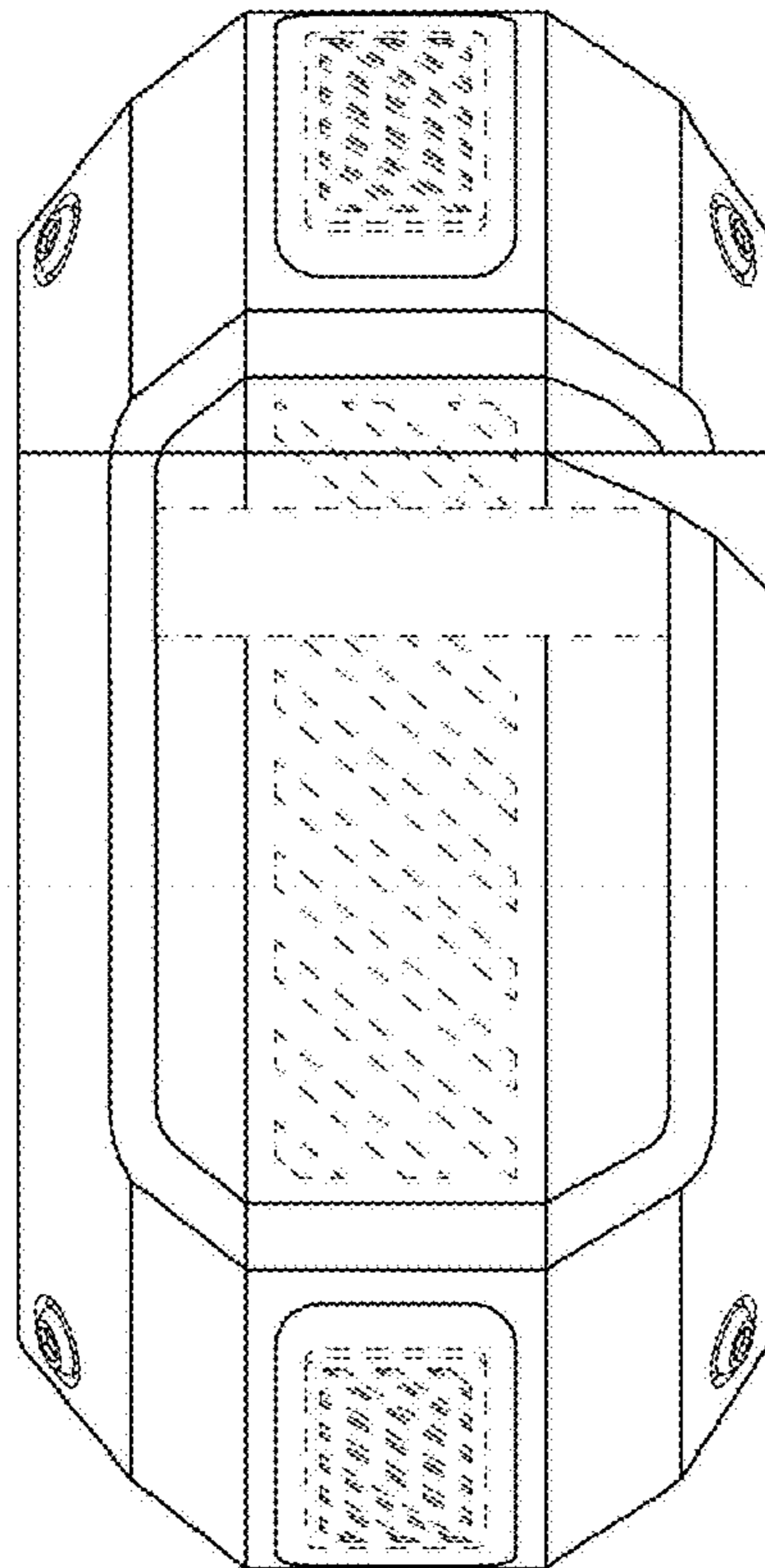




FIG. 6

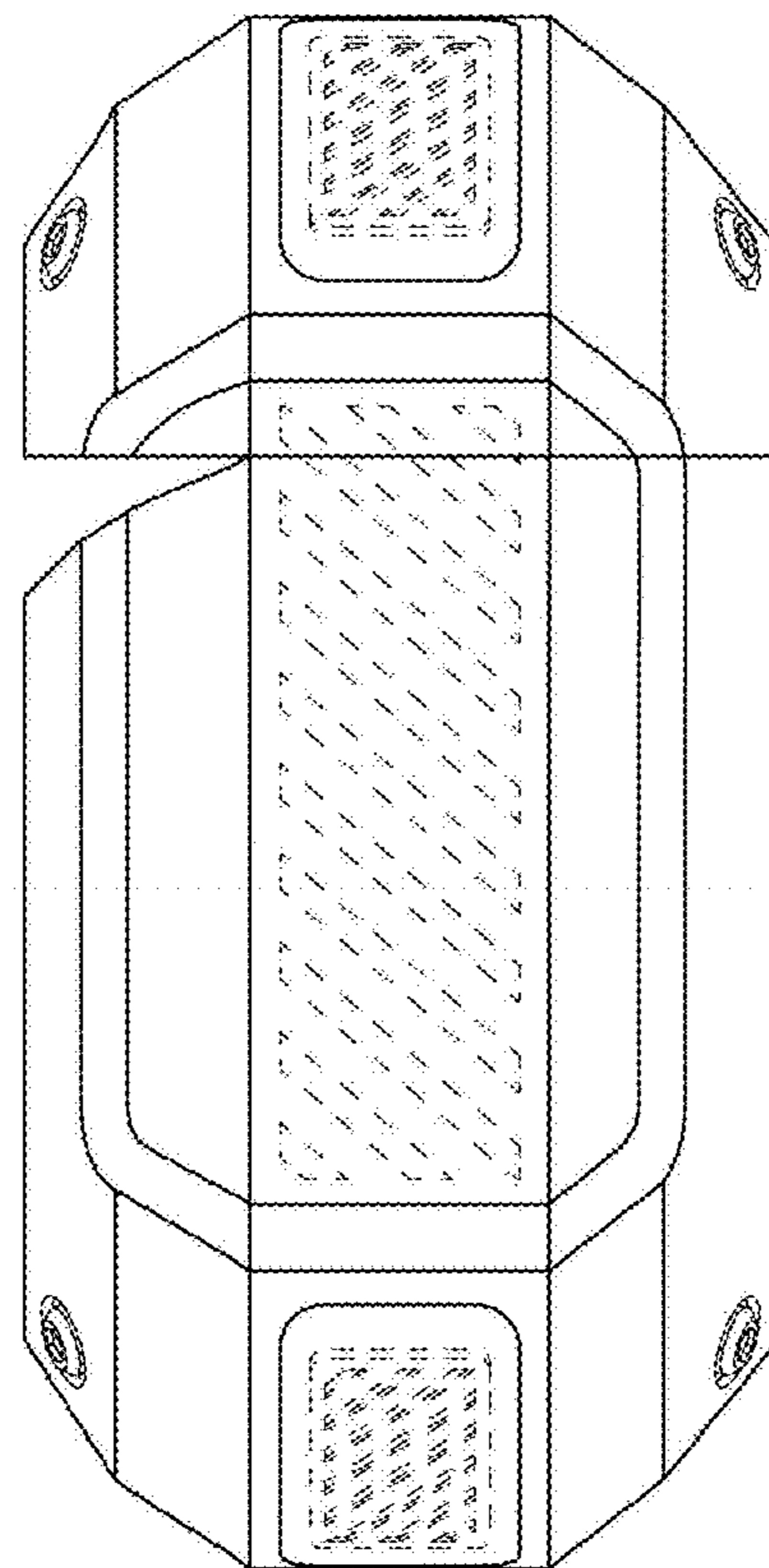


FIG. 7

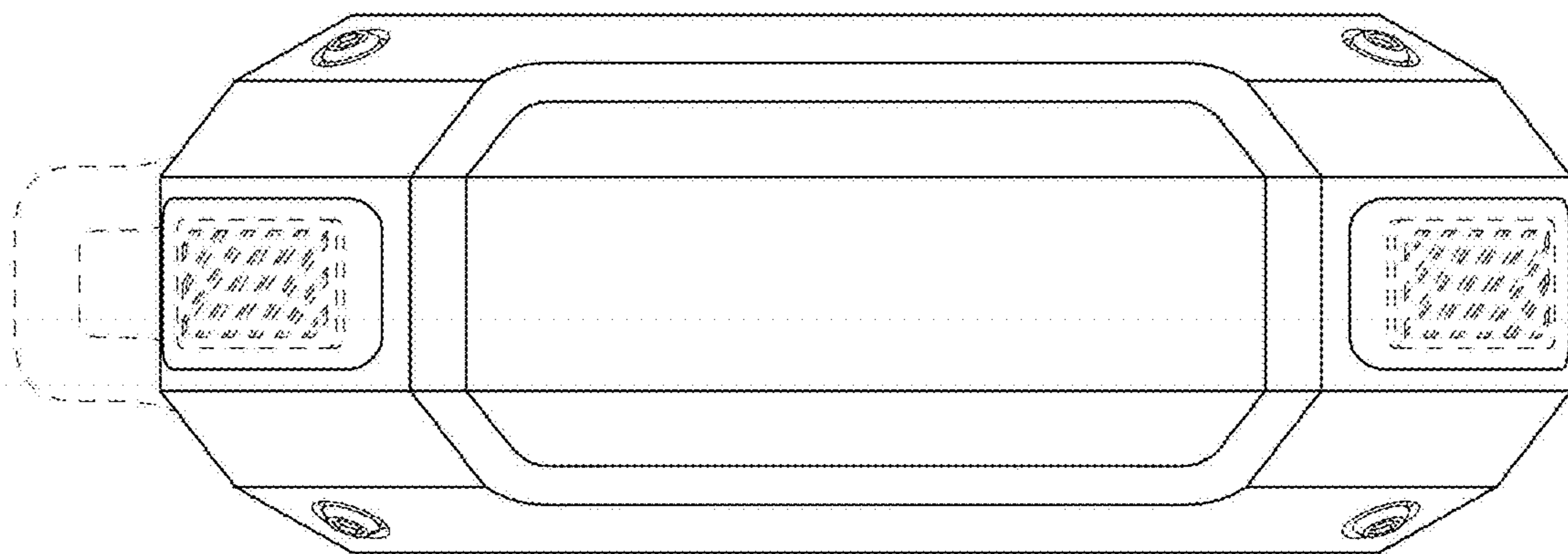


FIG. 8

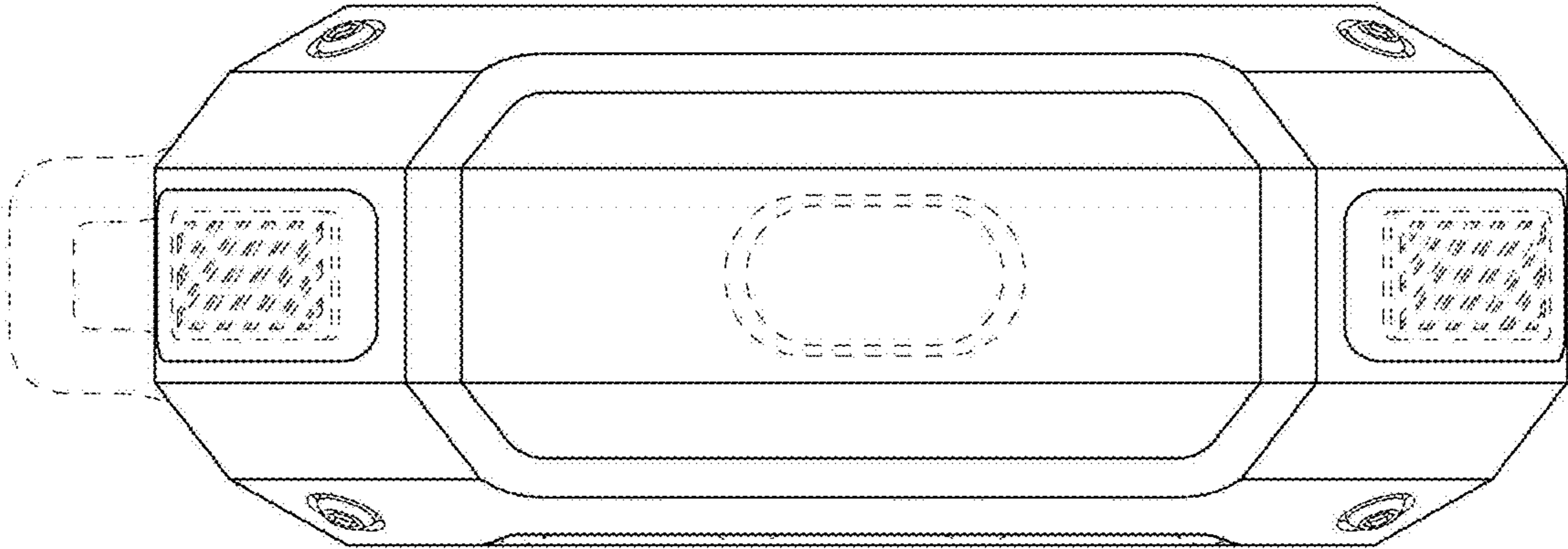


FIG. 9

