



US00D904760S

(12) **United States Design Patent**  
**Hyun**

(10) **Patent No.:** **US D904,760 S**

(45) **Date of Patent:** **\*\* Dec. 15, 2020**

(54) **CASE FOR EARPHONES**

(71) Applicant: **SPIGEN KOREA CO., LTD.**, Seoul (KR)

(72) Inventor: **Young Kwang Hyun**, Seoul (KR)

(73) Assignee: **SPIGEN KOREA CO., LTD.**, Seoul (KR)

(\*\*) Term: **15 Years**

(21) Appl. No.: **29/710,485**

(22) Filed: **Oct. 23, 2019**

(51) **LOC (12) Cl.** ..... **03-01**

(52) **U.S. Cl.**  
USPC ..... **D3/273**

(58) **Field of Classification Search**

USPC ..... D3/201, 203.1, 204, 205, 207–208, 212, D3/215, 218, 269, 273–274, 276, 283, D3/284, 294–300, 302, 303, 315, 901, D3/903; D9/414, 418, 420, 430, 432; D28/66, 73, 76, 78, 91; D14/188, 201, D14/204, 205, 209.1, 217, 250, 251, 440, D14/447

CPC ... A45C 13/002; A45C 13/005; A45C 13/025; A45C 2011/001; A45C 2011/002; A45C 2011/003

See application file for complete search history.

(56) **References Cited**

**U.S. PATENT DOCUMENTS**

D259,596 S	6/1981	Gray
D452,611 S	1/2002	Redgrave
D475,696 S	6/2003	Hussaini et al.
D586,557 S	2/2009	Jalet
D604,501 S	11/2009	Lee
D614,048 S	4/2010	Smith
D636,598 S	4/2011	Tseng et al.

(Continued)

**OTHER PUBLICATIONS**

Galaxy Buds+ / Galaxy Buds Case Silicone Fit, posted at spigen.com, no posting date, retrieved Apr. 21, 2020, online, URL: <https://www.spigen.com/products/galaxy-buds-case-silicone-fit> (Year: 2020).\*

(Continued)

*Primary Examiner* — Lilyana Bekic

*Assistant Examiner* — Mary Shannon Malley

(74) *Attorney, Agent, or Firm* — Heedong Chae; Lucem, PC

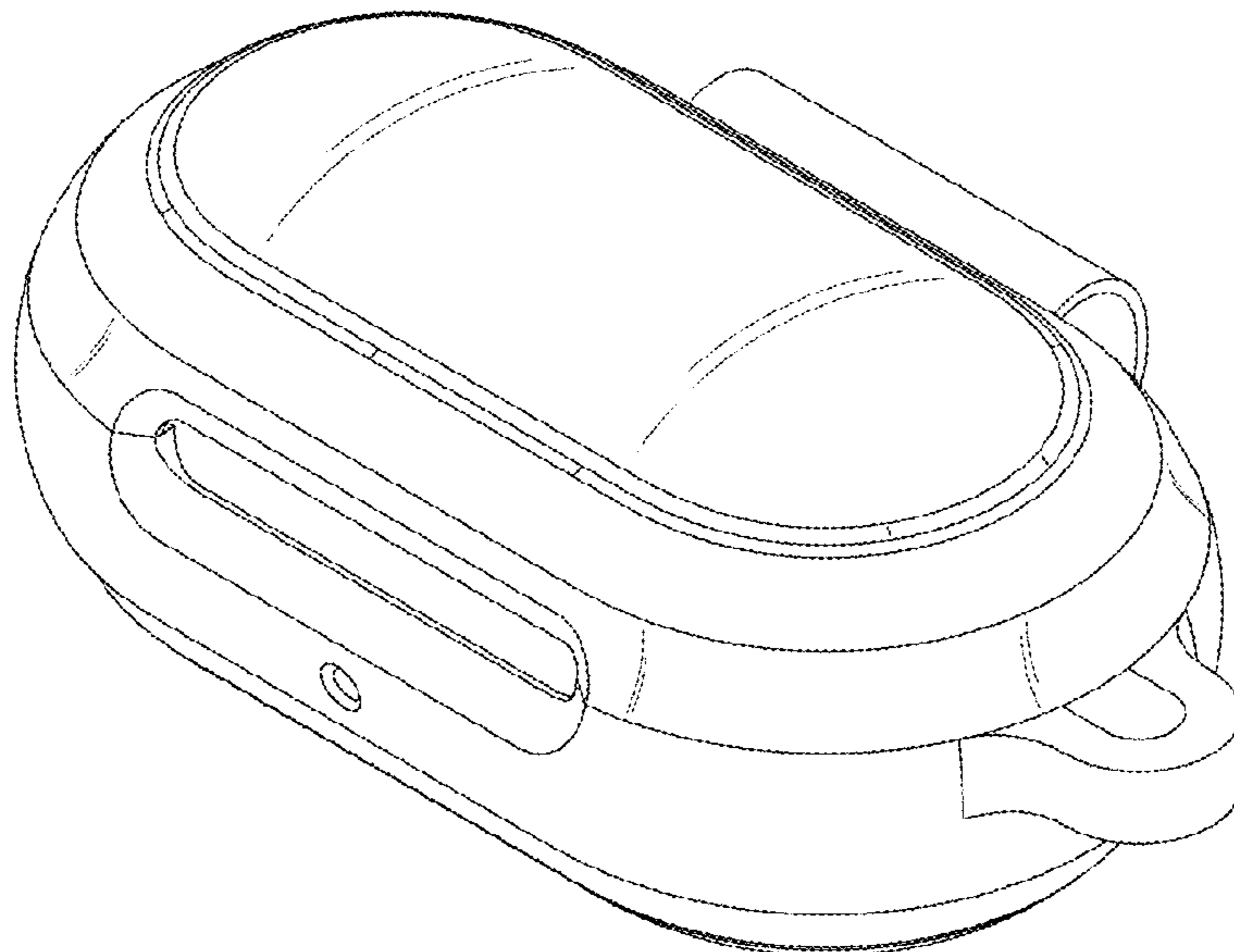
(57) **CLAIM**

The ornamental design for a case for earphones, as shown and described.

**DESCRIPTION**

FIG. 1 is a top, front perspective view of a case for earphones showing my new design; FIG. 2 is a top, rear perspective view thereof; FIG. 3 is a front elevational view thereof; FIG. 4 is a rear elevational view thereof; FIG. 5 is a left side elevational view thereof; FIG. 6 is a right side elevational view thereof; FIG. 7 is a top plan view thereof; FIG. 8 is a bottom plan view thereof; FIG. 9 is another top, front perspective view showing the case in an open position in an environment of use; FIG. 10 is another top, front perspective view showing the case in an open position; FIG. 11 is a bottom, front perspective view of the case; and, FIG. 12 is a bottom, rear perspective view of the case. The broken line in FIG. 9 depicts a carrying case that features a battery charging device specially adapted for use with wireless earphones and earbuds, which is environmental subject matter only and forms no part of the claimed design.

**1 Claim, 12 Drawing Sheets**



(56)

References Cited

U.S. PATENT DOCUMENTS

D674,181 S \* 1/2013 Faulkner ..... D24/231  
 D676,654 S 2/2013 Weremchuk et al.  
 D738,110 S 9/2015 Jiang et al.  
 D740,018 S 10/2015 Zhang et al.  
 D756,626 S 5/2016 Tollefsbol et al.  
 9,445,631 B1 \* 9/2016 Patel ..... B65D 43/0212  
 D772,572 S \* 11/2016 Palmberg ..... D3/201  
 D791,754 S 7/2017 Armstrong et al.  
 D794,617 S 8/2017 Wright et al.  
 D794,618 S 8/2017 Wright et al.  
 D806,388 S 1/2018 Akana et al.  
 D813,909 S 3/2018 Lacy-Nichols  
 D816,651 S 5/2018 Chiang et al.  
 D817,640 S 5/2018 Dang et al.  
 D823,246 S 7/2018 Lin  
 D834,301 S 11/2018 Poissant  
 D835,081 S 12/2018 Luo  
 D835,910 S \* 12/2018 Eliyahu ..... D3/294  
 D838,411 S \* 1/2019 Floyd ..... D28/73  
 D838,480 S 1/2019 Son et al.  
 D840,945 S \* 2/2019 Chang ..... D13/152  
 D841,580 S 2/2019 Bao  
 D841,581 S 2/2019 Bonahoom et al.  
 D846,264 S 4/2019 Wu  
 D849,401 S 5/2019 Akana et al.  
 D850,224 S \* 6/2019 James ..... D7/701  
 D853,108 S 7/2019 Zaihui  
 D858,101 S \* 9/2019 Williams ..... D3/294  
 D862,425 S 10/2019 Yan  
 D864,110 S 10/2019 Yoshimura  
 D864,971 S 10/2019 Lee et al.  
 D868,453 S 12/2019 Lee et al.  
 D868,465 S 12/2019 Lee et al.  
 D869,147 S 12/2019 Lian  
 D869,163 S 12/2019 Maguire  
 D870,037 S 12/2019 Lee  
 D870,451 S 12/2019 Birger  
 D872,094 S 1/2020 Wright et al.  
 D872,468 S 1/2020 Lee et al.  
 D872,469 S 1/2020 Lee et al.  
 D872,723 S 1/2020 Lee et al.  
 D872,724 S 1/2020 Lee et al.  
 D873,217 S 1/2020 Zhang  
 D881,810 S \* 4/2020 Zhang ..... D13/108  
 2017/0157962 A1 \* 6/2017 Rabe ..... B41J 2/16579  
 2019/0069066 A1 \* 2/2019 Song ..... H04R 1/1025

OTHER PUBLICATIONS

“Portable Carrying Case for Samsung Galaxy Buds/Galaxy Buds + Plus, Gonjoy Protective Silicone Cover and Skin for Samsung

Galaxy Buds Earbuds with Anti-Lost & Shockproof”, <https://www.amazon.com/dp/B07RTGWJH4>, Earliest review date of May 14, 2019, Downloaded on Jun. 25, 2020.  
 “Yictone Silicone Case for Galaxy Buds 2019, 3 in 1 Silicone Accessories Set Protective Cover, Silicone Case/Keychain/Anti-Lost lanyards Compatible with Samsung Galaxy Buds Plus”, <https://www.amazon.com/dp/B07RW2FST8>, Earliest review date of May 23, 2019, Downloaded on Jun. 25, 2020.  
 “Protective Silicone Case Cover for Galaxy Buds/Galaxy Buds+ with Carabiner Keychain, Samsung Galaxy Earbuds Accessory, Black (9 Color Options)”, <https://www.amazon.com/dp/B07RRPYM5Y>, Earliest review date of May 26, 2019, Downloaded on Jun. 25, 2020.  
 “Silicone Case Cover Compatible with Samsung Galaxy Buds(2019)/ Galaxy Buds+ Plus(2020), Full Body Protection, Scratch/Shock Resistant Silicone Case for Samsung Galaxy Buds and Galaxy Buds Plus (Black)”, <https://www.amazon.com/dp/B07W9BVM45>, Earliest review date of Jun. 20, 2019, Downloaded on Jun. 25, 2020.  
 “UptoBillions for Galaxy Buds Case and Galaxy Buds+ Plus 2020, Shock Resistant Silicone Case for Galaxy Buds [Support Wireless Charging]—Blue”, <https://www.amazon.com/dp/B07T65ZXW5>, Earliest review date of Jun. 30, 2019, Downloaded on Jun. 25, 2020.  
 “Silicone Case Cover for Galaxy Buds 2019/ Galaxy Buds Plus 2020, Full Body Protections with Carabiner, Anti-Lost & Shockproof Soft Skin for Samsung Galaxy Buds/Buds Plus, Support Wireless Charging”, <https://www.amazon.com/dp/B07SHG53WR>, Earliest review date of Jul. 14, 2019, Downloaded on Jun. 25, 2020.  
 “Elago Silicone Case Designed for Samsung Galaxy Buds Plus Case (2020) / Galaxy Buds Case (2019)—(Top—Light Grey/Bottom—Dark Grey Translucent)”, <https://www.amazon.com/dp/B07ZRL9LVG>, Earliest review date of Aug. 10, 2019, Downloaded on Jun. 25, 2020.  
 “Garsing Protective Case Cover for Samsung Galaxy Buds Earphone Flip-Open Silicone Case Waterproof Shockproof Cases with Carabiner”, <https://www.amazon.com/dp/B07V4D39CV>, Earliest review date of Aug. 22, 2019, Downloaded on Jun. 25, 2020.  
 “Amigo Samsung Galaxy Buds Earbuds Case, Soft Full Body Protective Silicone Case Cover with Carabiner for Galaxy Buds+ Plus Case 2020 / Galaxy Buds Case 2019 (Black)”, <https://www.amazon.com/dp/B07VN3Y4D8>, Earliest review date of Sep. 1, 2019, Downloaded on Jun. 25, 2020.  
 “Moretek Compatible for Galaxy Buds Case 2019, Full Protective Silicone Case Cover with Carabiner for Samsung Galaxy Earbuds Case Accessories(Black)”, <https://www.amazon.com/dp/B07XHGX684>, Earliest review date of Oct. 12, 2019, Downloaded on Jun. 25, 2020.  
 “Araree Buddy, Polycarbonate case for Galaxy Buds, Transparent and Hard, no Need Adhesive case, Compatible with Samsung Galaxy Buds, Released”, <https://www.amazon.com/dp/B07V8HVPLL>, Earliest review date of Oct. 16, 2019, Downloaded on Jun. 25, 2020.

\* cited by examiner

FIG. 1

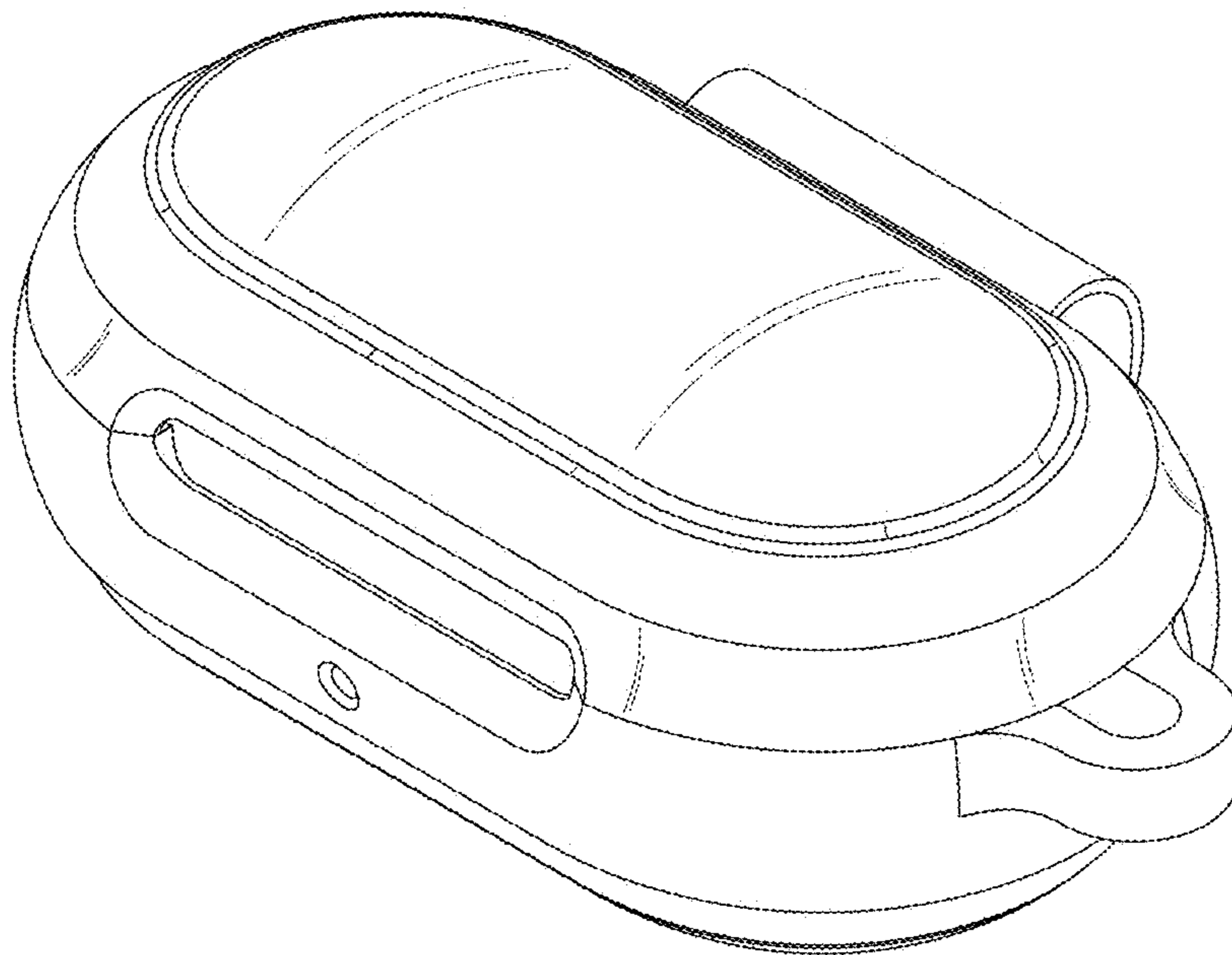


FIG. 2

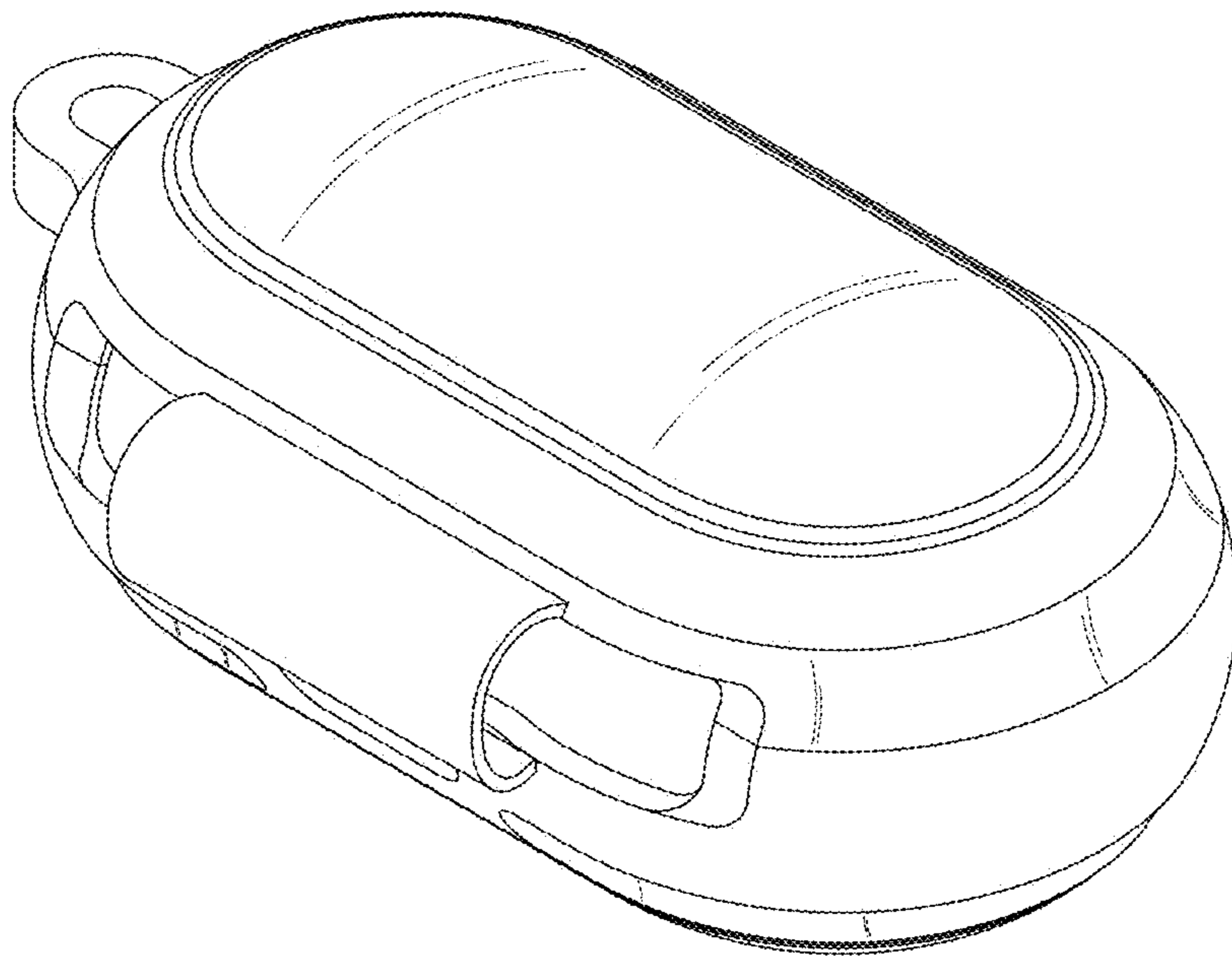


FIG. 3

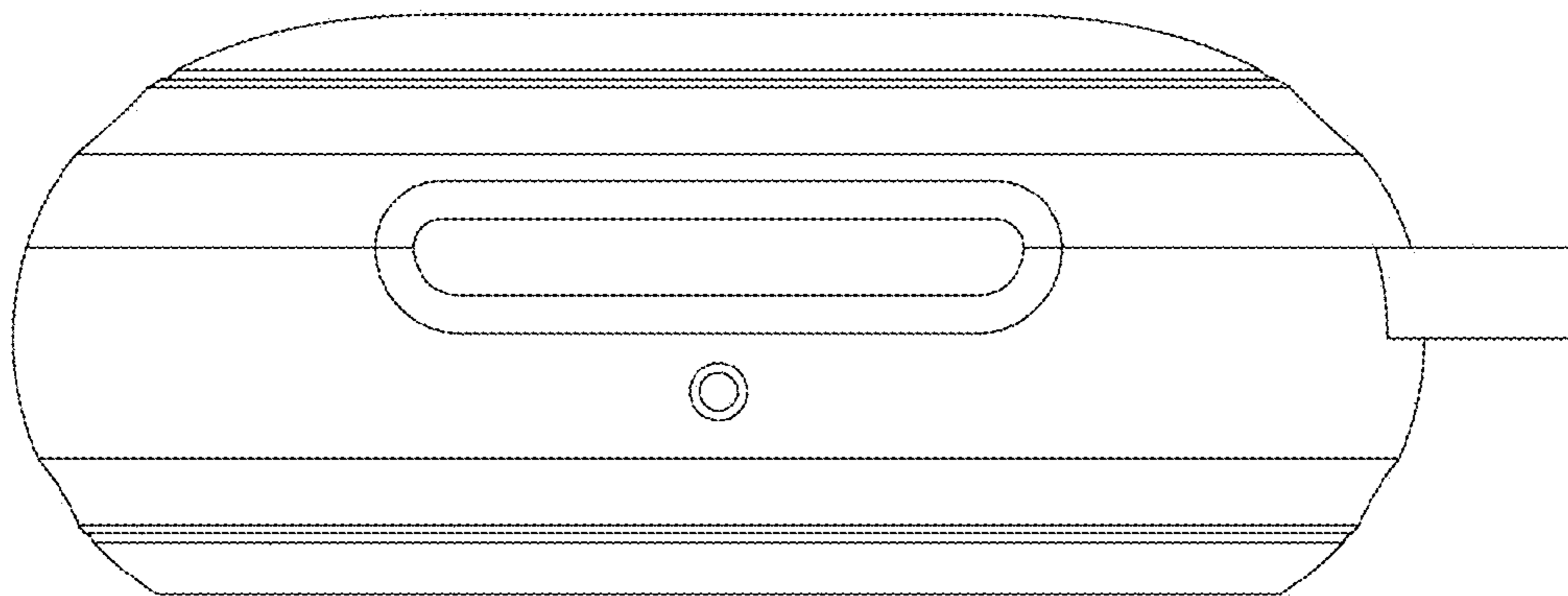


FIG. 4

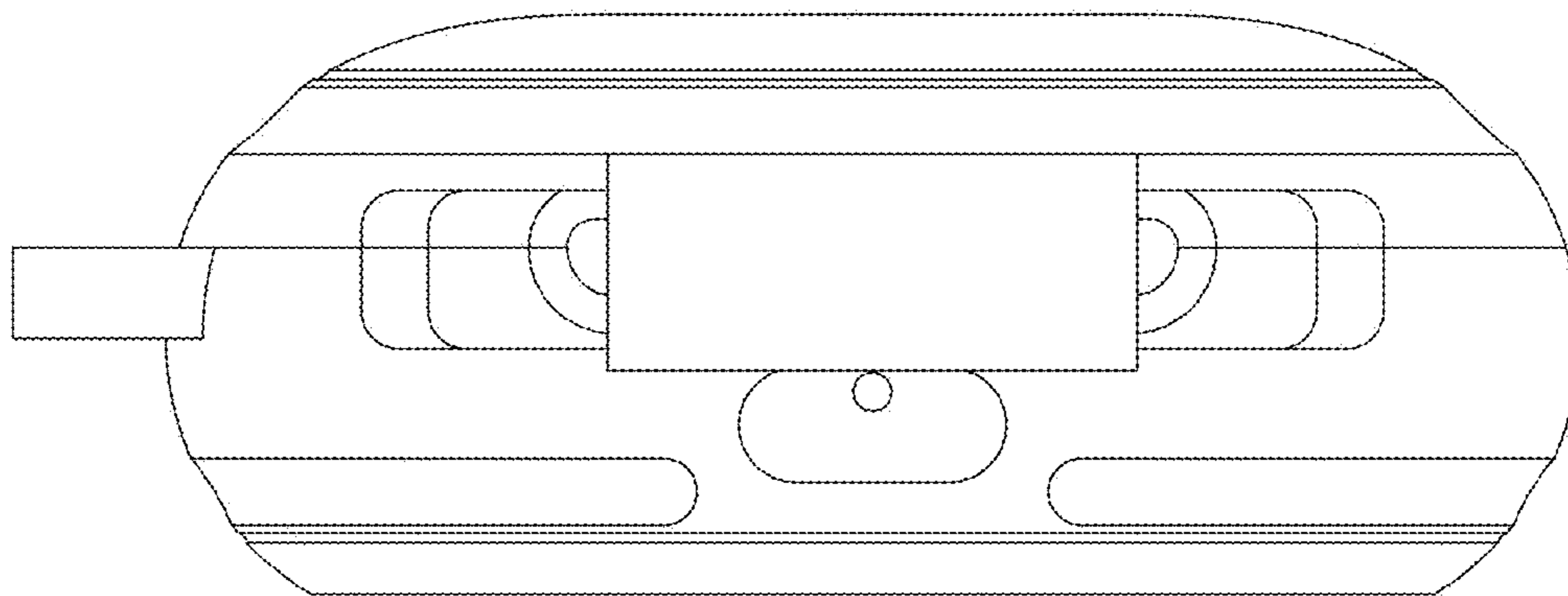


FIG. 5

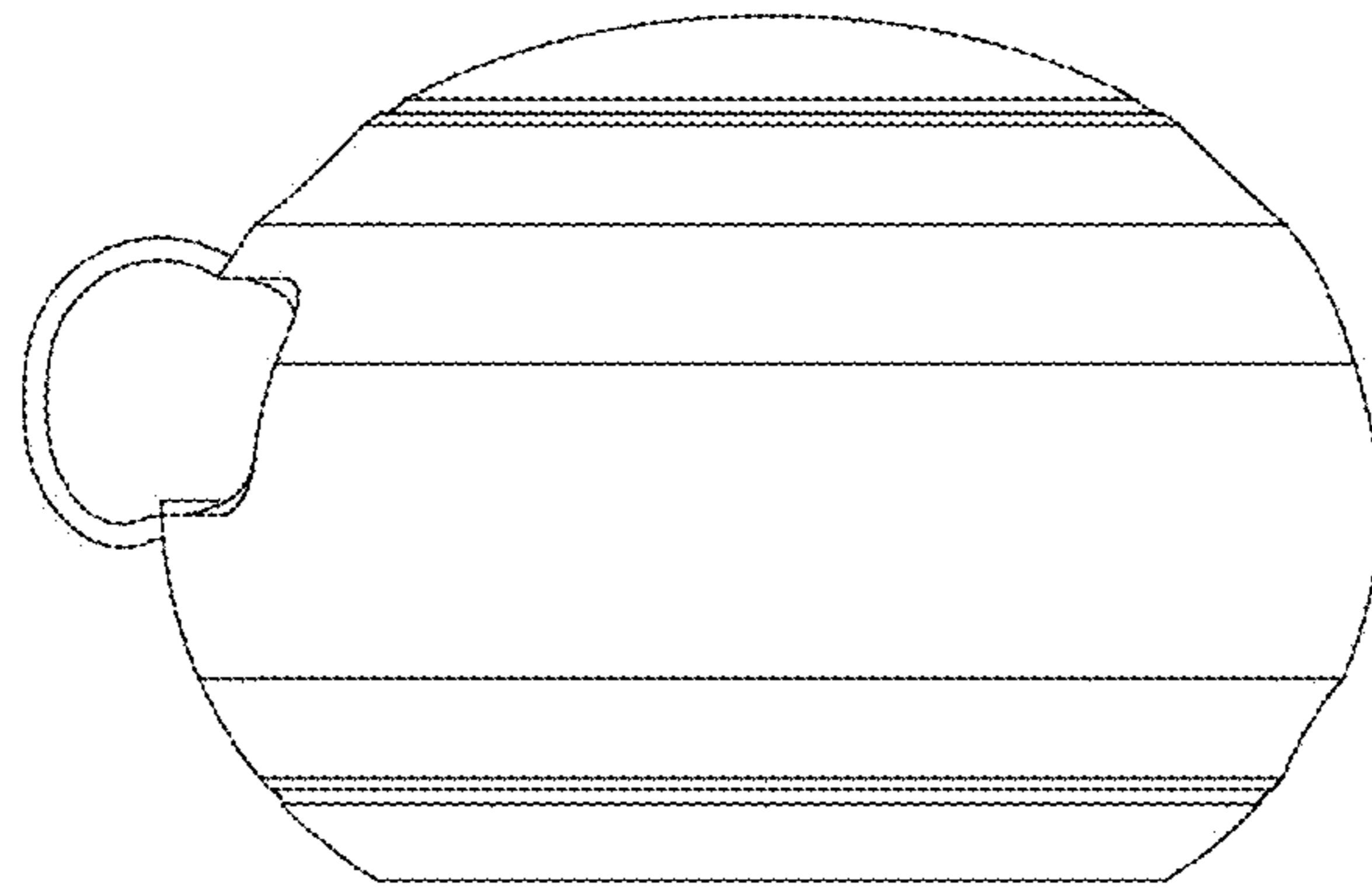


FIG. 6

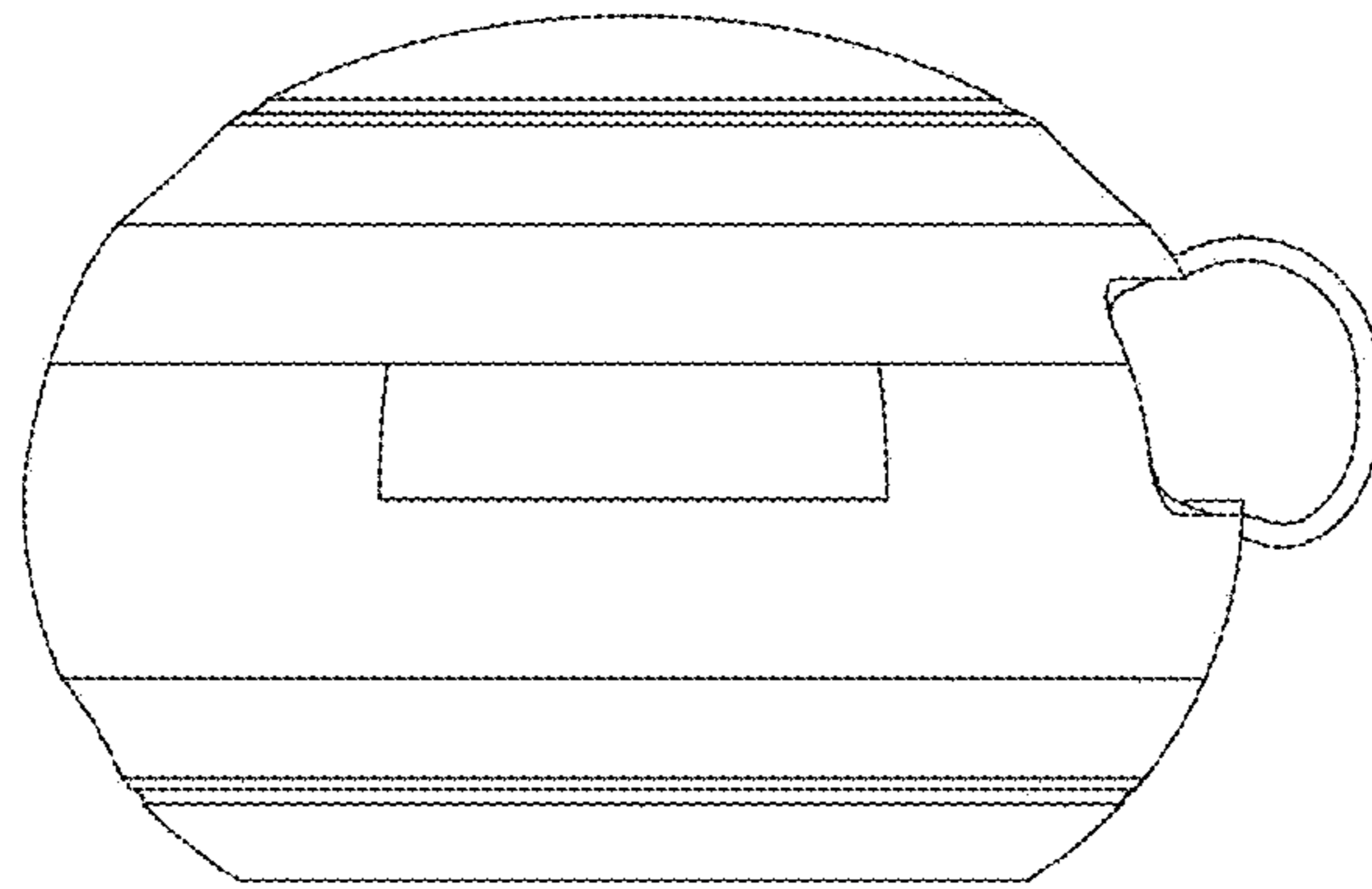




FIG. 7

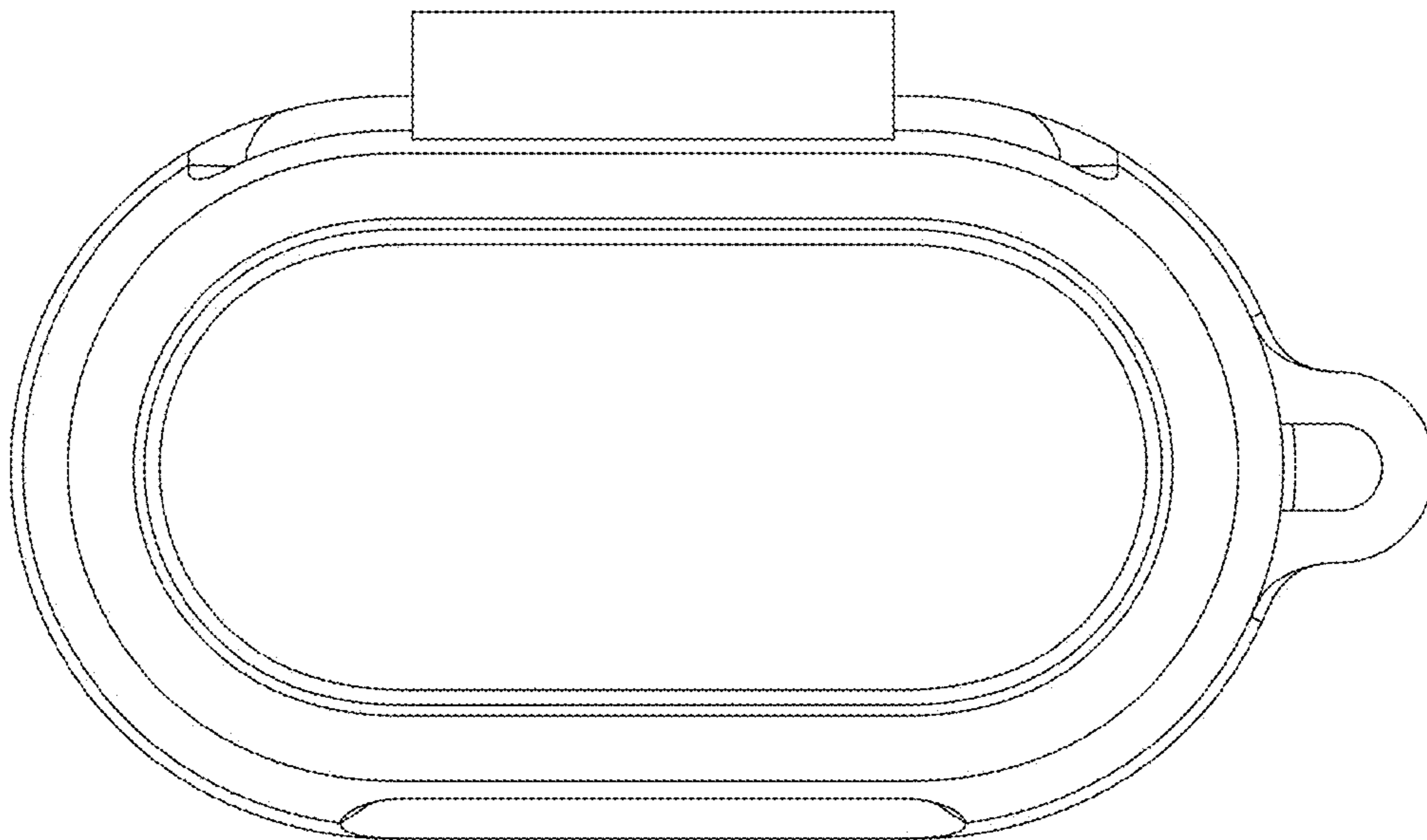


FIG. 8

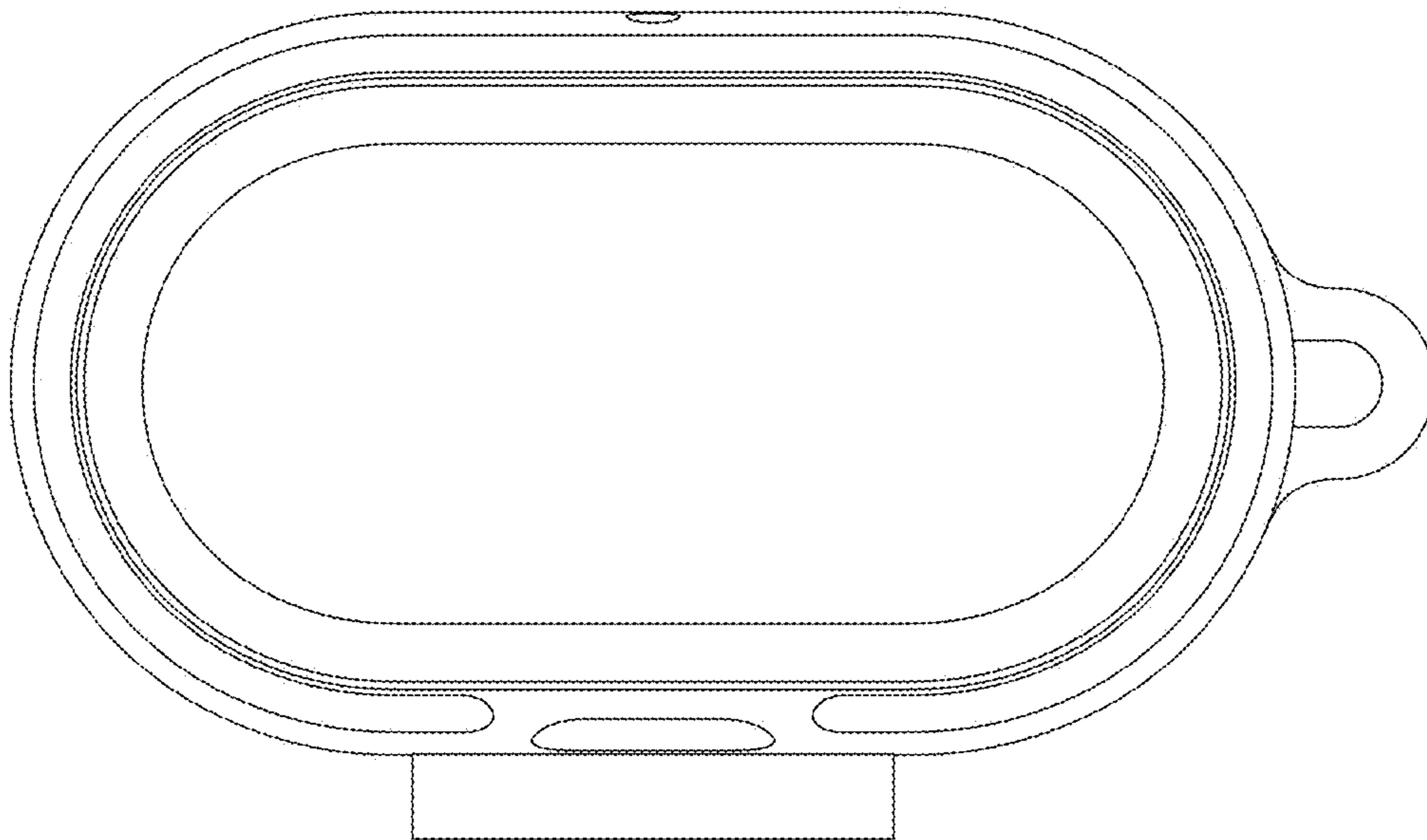


FIG. 9

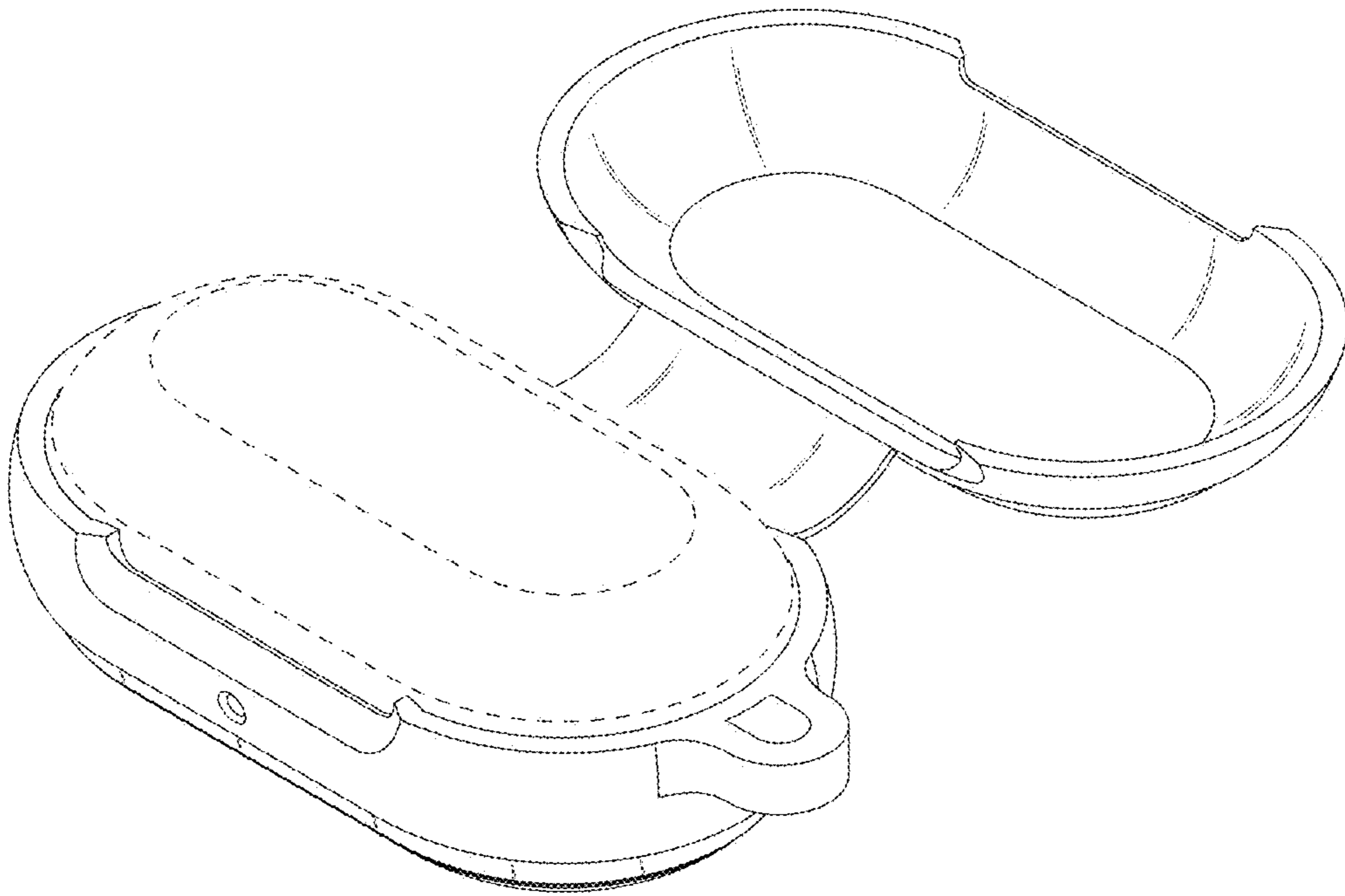


FIG. 10

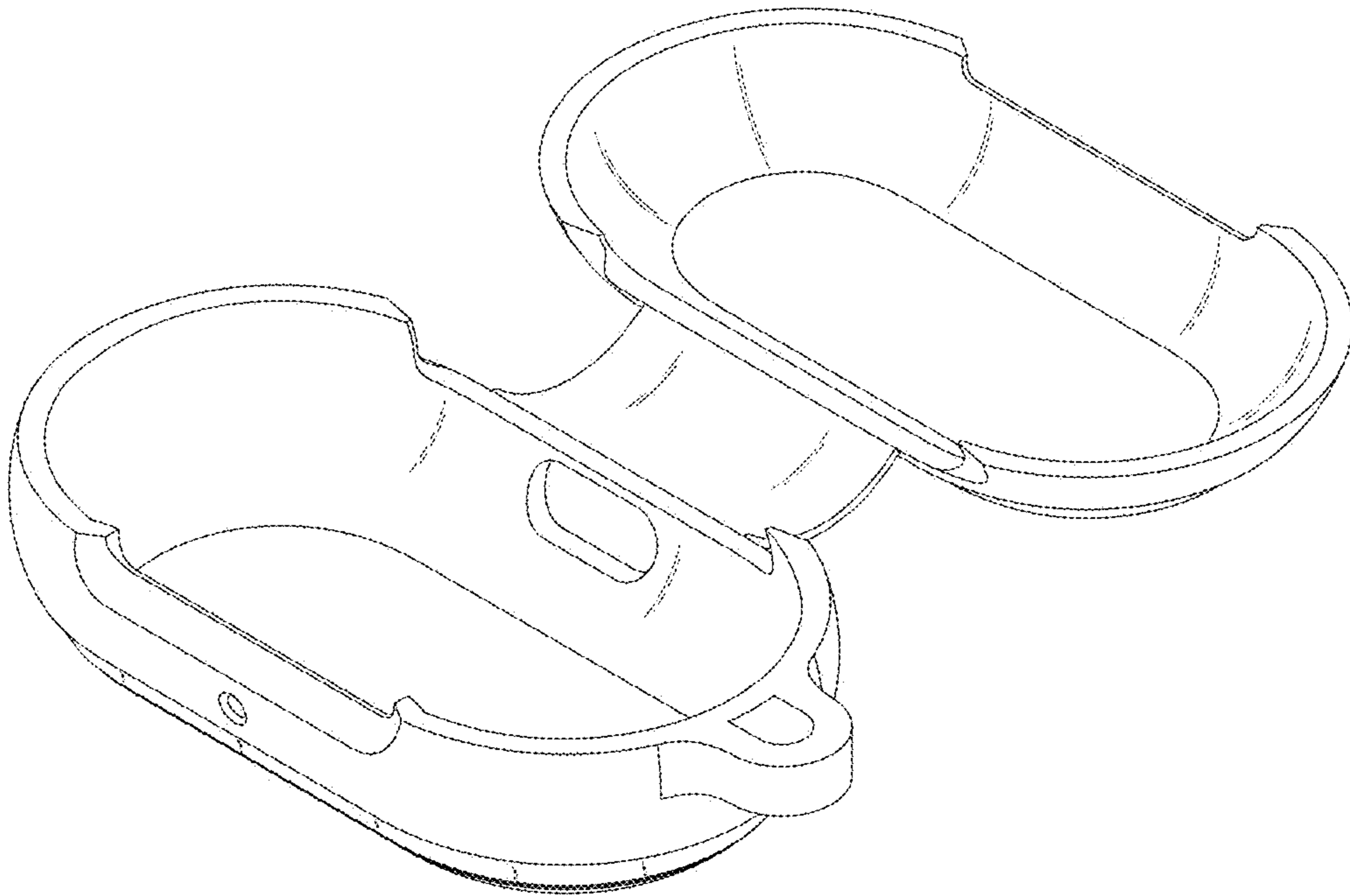


FIG. 11

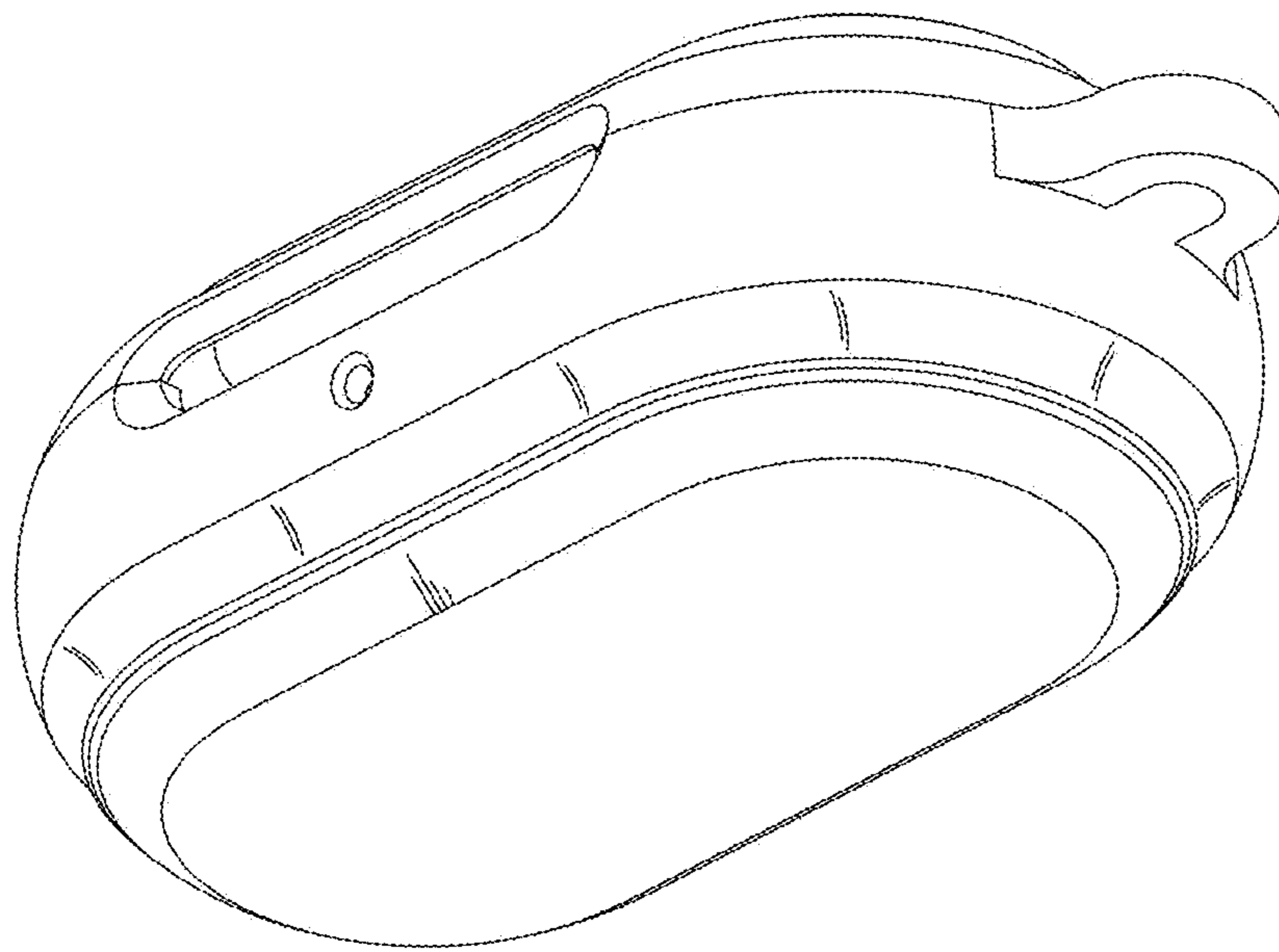


FIG. 12

