



US00D904759S

(12) **United States Design Patent**  
**Girard-Tremblay et al.**

(10) **Patent No.:** **US D904,759 S**  
(45) **Date of Patent:** **\*\* Dec. 15, 2020**

(54) **SUITCASE**  
(71) Applicant: **CHARLES SIMON INC.**, Montreal  
(CA)  
(72) Inventors: **Charles Girard-Tremblay**, Montreal  
(CA); **Simon Maltais**, Montreal (CA);  
**Pascal Godin**, Montreal (CA)

5,588,513 A \* 12/1996 Lin ..... A45C 13/262  
16/113.1  
D386,903 S \* 12/1997 Curry ..... D3/273  
5,781,964 A \* 7/1998 Lin ..... A45C 13/262  
16/113.1

(Continued)

**FOREIGN PATENT DOCUMENTS**

GB 623672 A 5/1949

**OTHER PUBLICATIONS**

FR application 1853262 search report dated Nov. 12, 2018.

(Continued)

*Primary Examiner* — April Rivas

(74) *Attorney, Agent, or Firm* — Anglehart et al.

(57) **CLAIM**

The ornamental design for a suitcase, as shown and described.

**DESCRIPTION**

FIG. 1 is a perspective view of a suitcase showing a first embodiment of my new design thereof;  
FIG. 2 is a right-side view thereof;  
FIG. 3 is a front view thereof;  
FIG. 4 is a left-side view thereof;  
FIG. 5 is a top view thereof;  
FIG. 6 is a bottom view thereof;  
FIG. 7 is a back-left side perspective view of a suitcase showing a second embodiment of my new design thereof;  
FIG. 8 is a back view thereof;  
FIG. 9 is a front-left side perspective view thereof;  
FIG. 10 is a right view thereof;  
FIG. 11 is a front view thereof;  
FIG. 12 is a left view thereof;  
FIG. 13 is a top view thereof; and,  
FIG. 14 is a bottom view thereof.

The broken lines illustrate portions of the suitcase and form no part of the claimed designed.

**1 Claim, 6 Drawing Sheets**

(73) Assignee: **CHARLES SIMON INC.**, Montréal  
(CA)

(\*\*) Term: **15 Years**

(21) Appl. No.: **29/649,461**

(22) Filed: **May 30, 2018**

(30) **Foreign Application Priority Data**

Dec. 1, 2017 (CA) ..... 178412

(51) **LOC (12) Cl.** ..... **03-01**

(52) **U.S. Cl.**  
USPC ..... **D3/273; D3/279; D3/900**

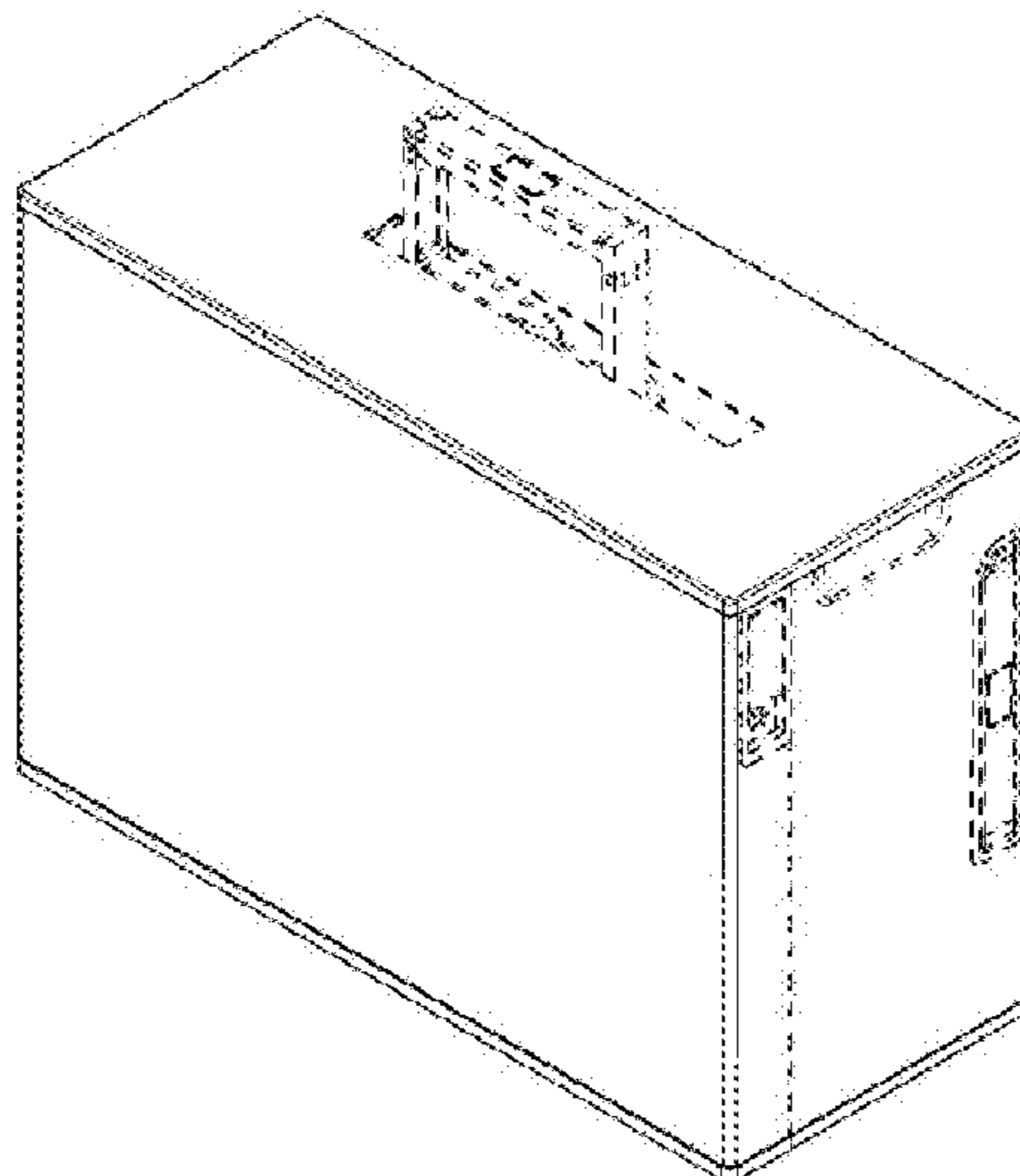
(58) **Field of Classification Search**  
USPC ..... D3/201, 203.1, 203.2, 273, 276, 294,  
D3/295, 298, 302, 318, 901, 902, 900,  
D3/279  
CPC ..... A45C 5/00; A45C 2011/003; A45C 11/24;  
A45C 2200/05; A45C 11/00; G06F  
1/1616

See application file for complete search history.

(56) **References Cited**

**U.S. PATENT DOCUMENTS**

D245,455 S \* 8/1977 Cathey ..... D14/328  
D261,825 S \* 11/1981 Benson ..... D3/275  
D278,502 S \* 4/1985 Powell, Jr. .... D3/272  
4,938,326 A \* 7/1990 Pfeiffer ..... A45C 3/02  
150/104  
D339,231 S \* 9/1993 Perry ..... D3/276  
D373,249 S \* 9/1996 Richardson ..... D3/318



(56)

**References Cited**

U.S. PATENT DOCUMENTS

5,908,093 A \* 6/1999 Miyoshi ..... A45C 5/14  
 190/115  
 6,024,194 A \* 2/2000 Chung-Hsien ..... A45C 5/14  
 190/114  
 D434,634 S \* 12/2000 Korn ..... D3/318  
 6,426,876 B1 7/2002 Shearman et al.  
 D496,530 S \* 9/2004 Wolf ..... D3/273  
 D497,254 S \* 10/2004 Koenig ..... D3/318  
 D518,294 S \* 4/2006 Doppelt ..... D3/276  
 D547,549 S \* 7/2007 Johansson ..... D3/276  
 D742,117 S \* 11/2015 Starck ..... D3/279  
 D742,638 S \* 11/2015 Melanson ..... D3/274  
 9,844,264 B1 \* 12/2017 Stewart ..... A47B 81/00  
 10,479,593 B2 \* 11/2019 Oh ..... B65D 85/64  
 2005/0150732 A1 \* 7/2005 Costa ..... A45C 13/262  
 190/115  
 2011/0100726 A1 \* 5/2011 Wu ..... A45C 13/28  
 177/132  
 2014/0311845 A1 \* 10/2014 Ling ..... A45C 5/03  
 190/18 A  
 2017/0055657 A1 \* 3/2017 Chien ..... A45C 9/00  
 2019/0008254 A1 \* 1/2019 Newson ..... A45C 13/262

OTHER PUBLICATIONS

CA178412 office action dated Aug. 24, 2018.  
 CA178412 office action dated Jan. 22, 2019.  
 CA178412 office action dated Apr. 11, 2019.  
 FR application 1853262 written opinion dated Nov. 12, 2018.

\* cited by examiner

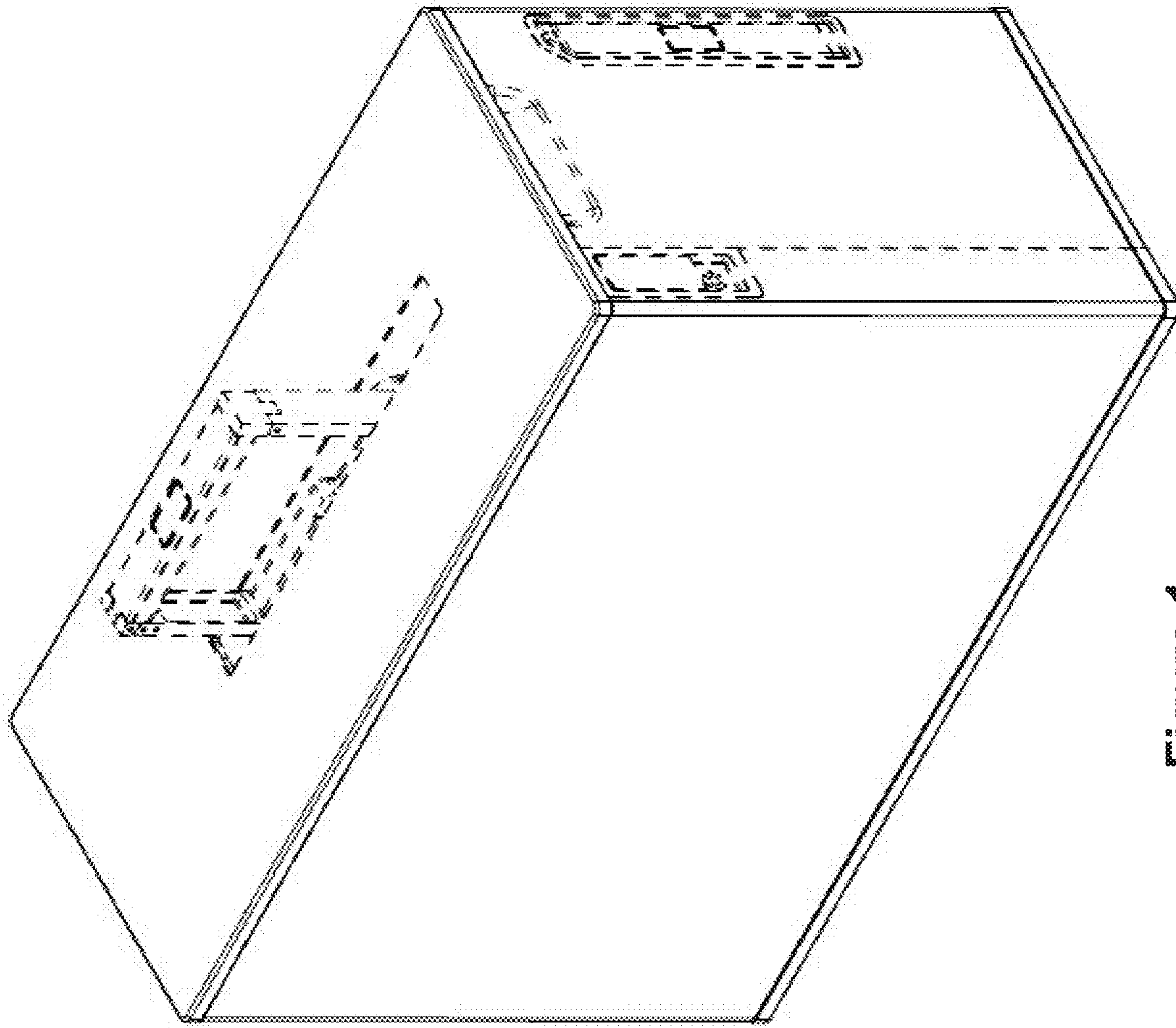


Figure 1

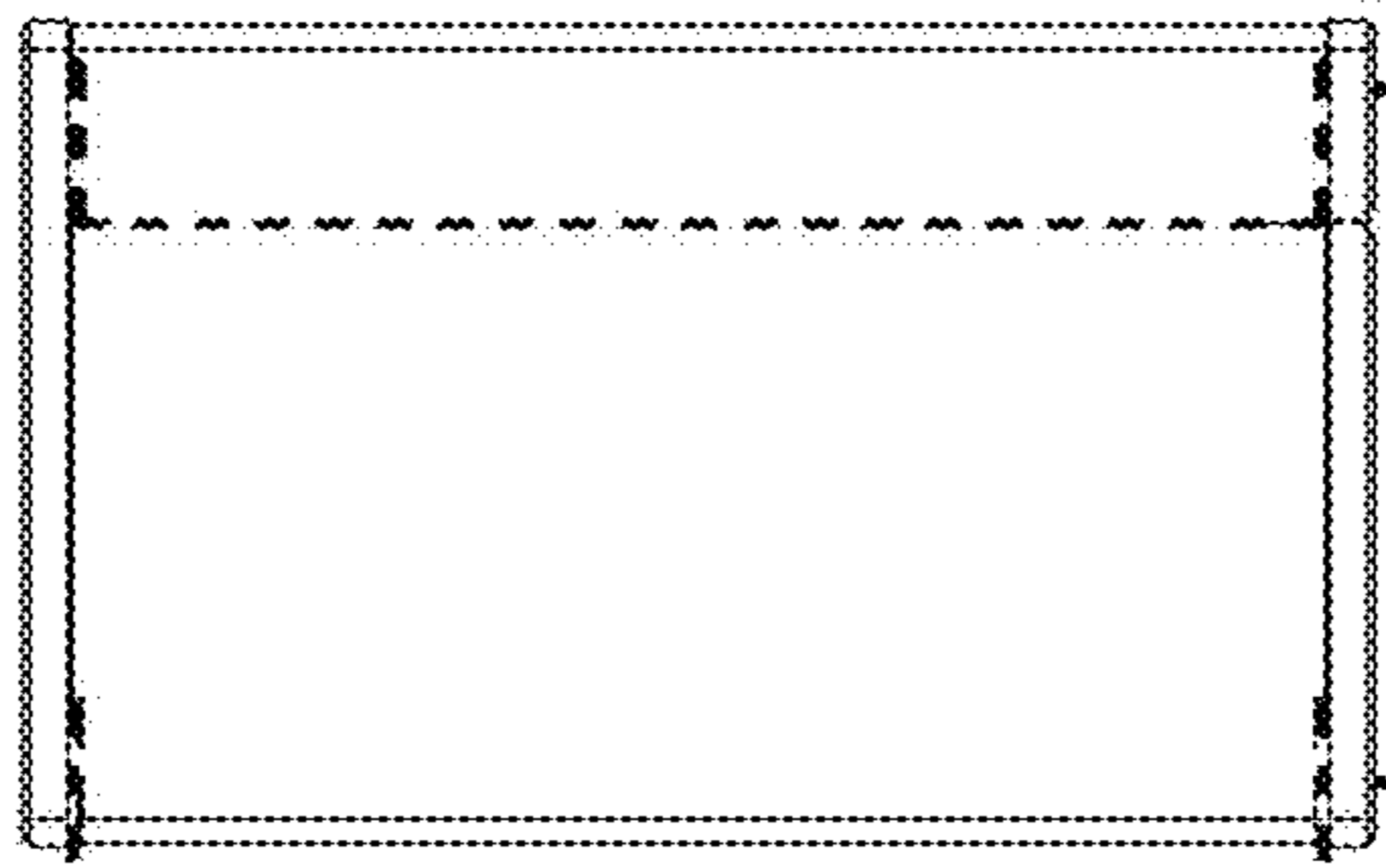


Figure 2

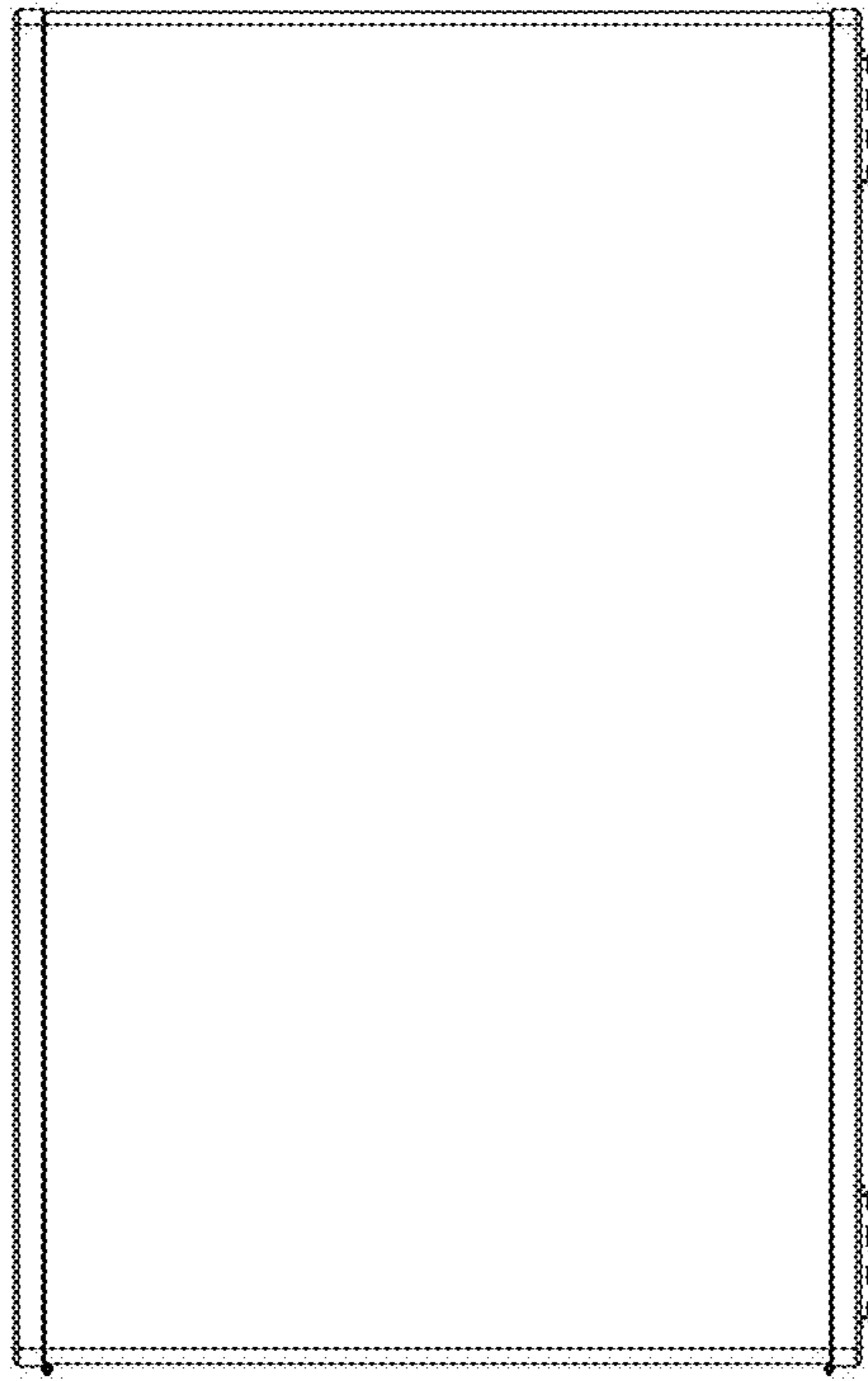


Figure 3

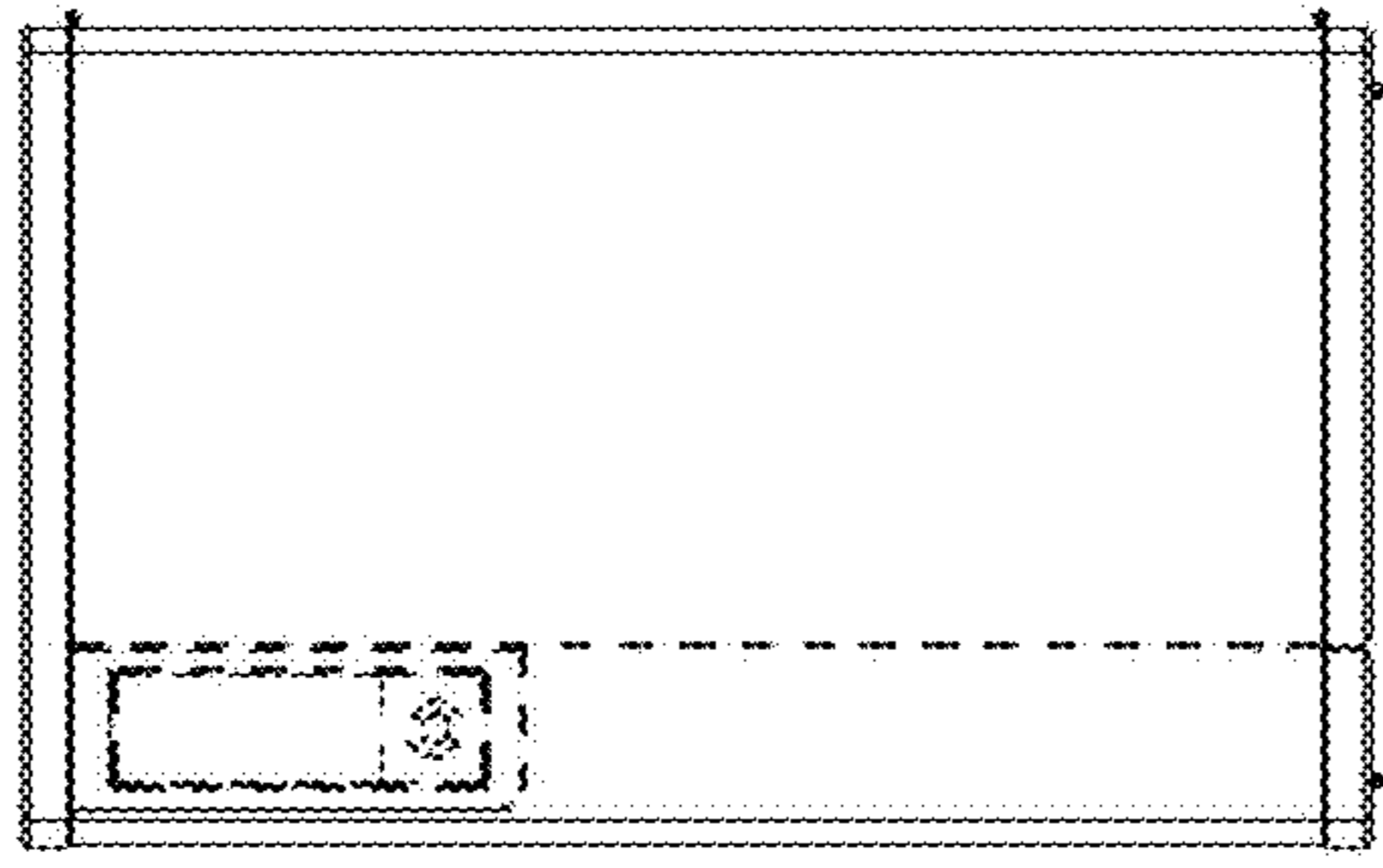


Figure 4

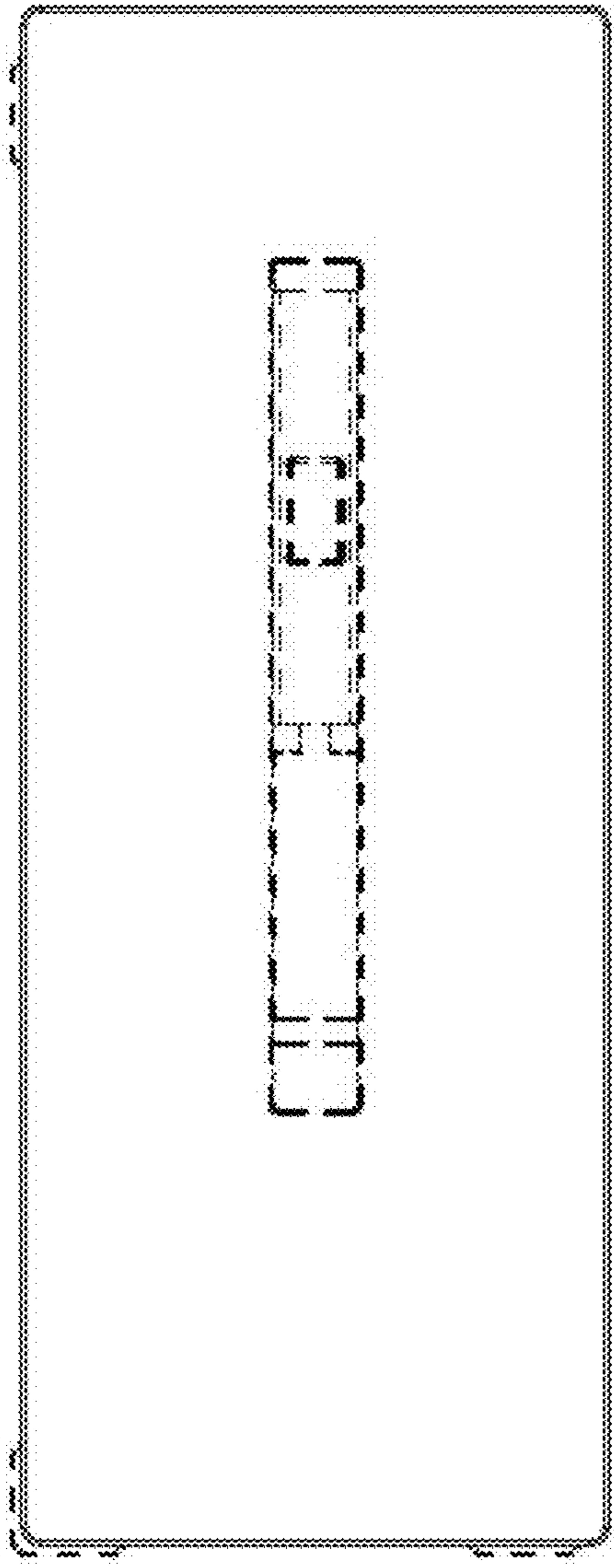


Figure 5

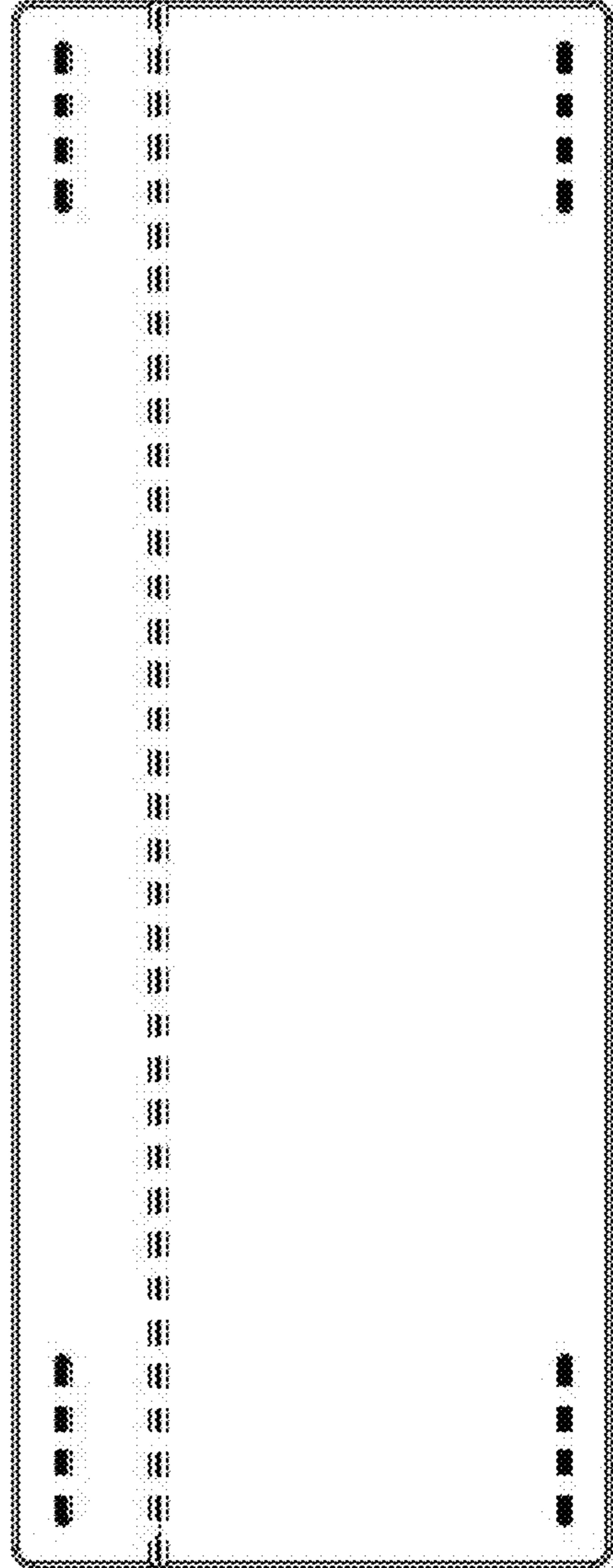


Figure 6

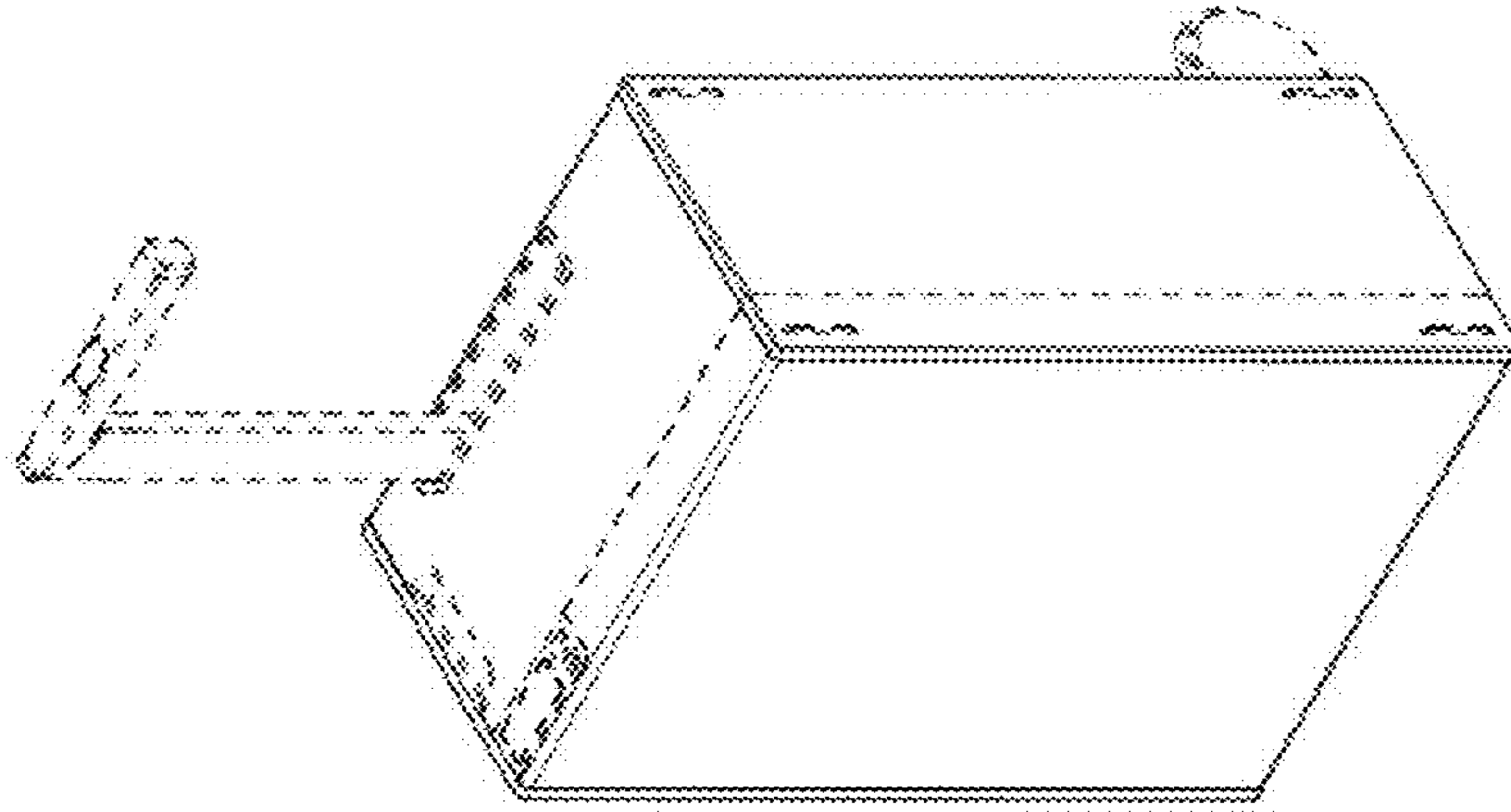


Figure 9

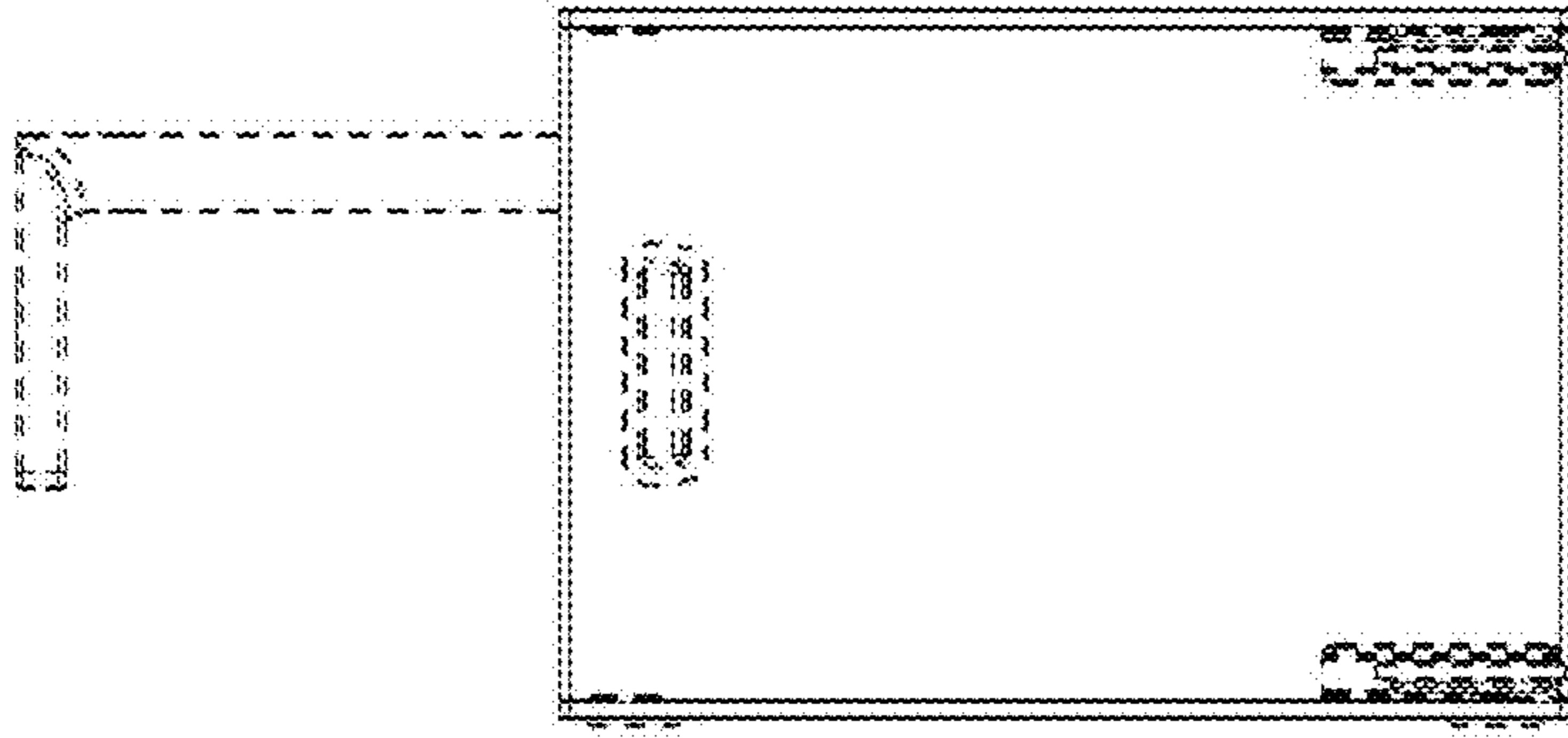


Figure 8

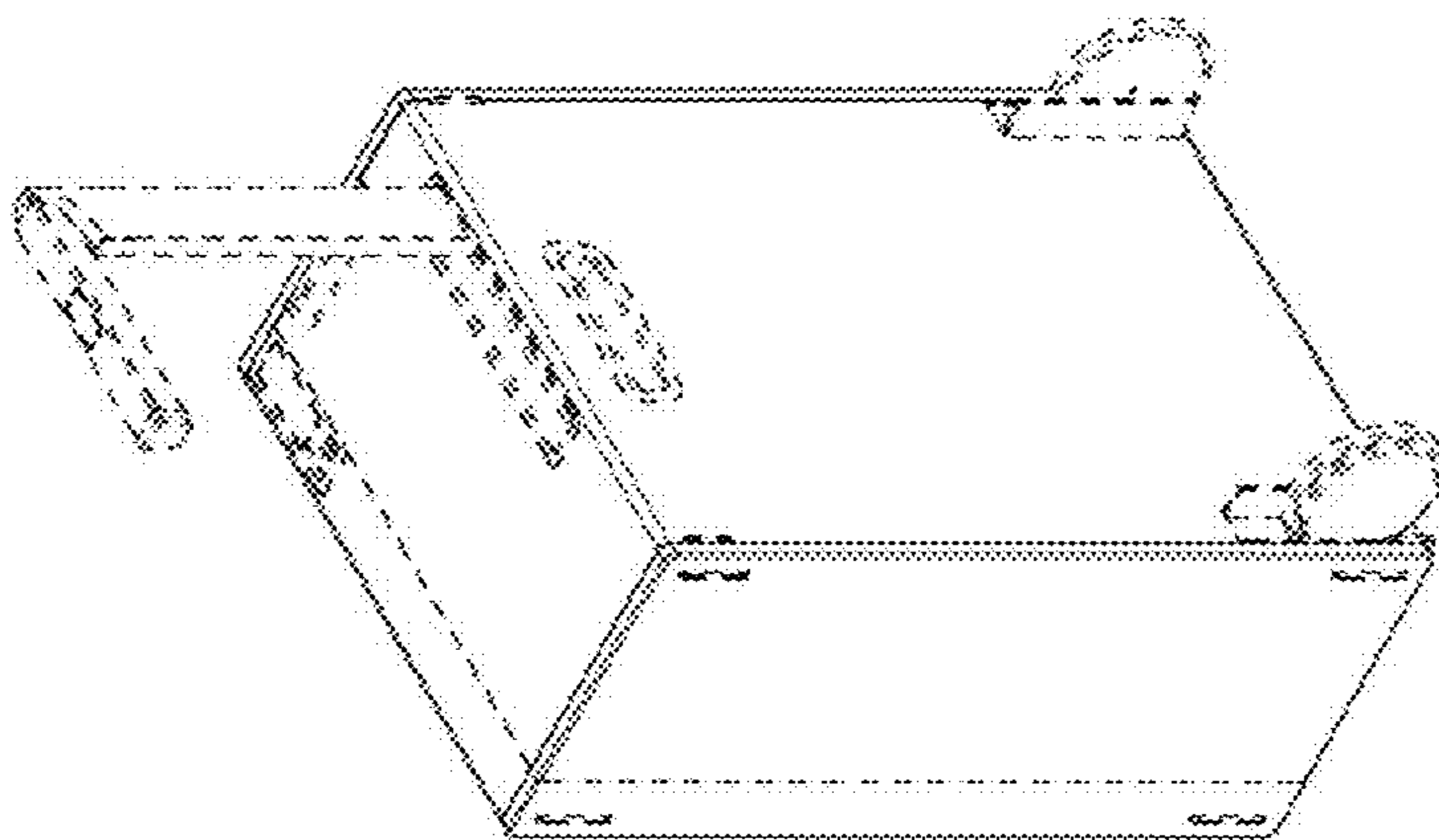


Figure 7

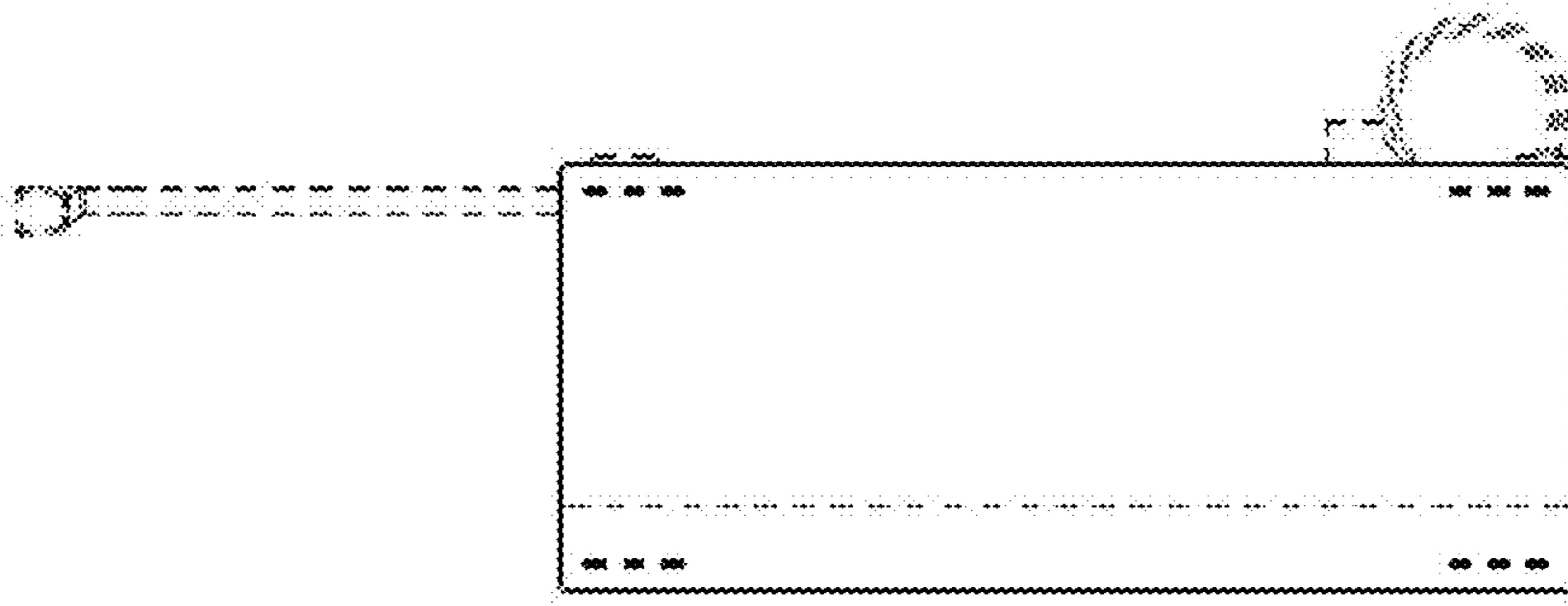


Figure 10

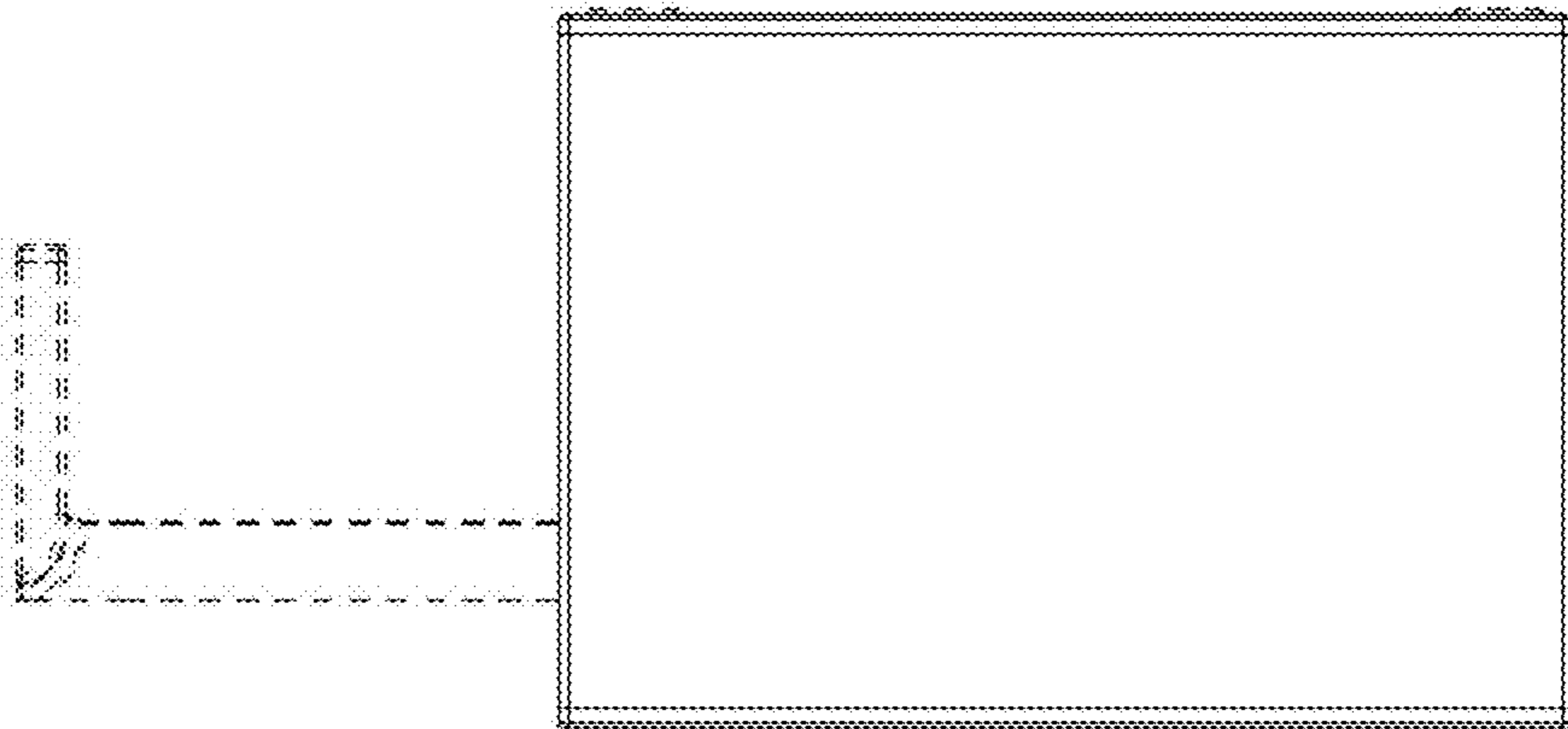


Figure 11

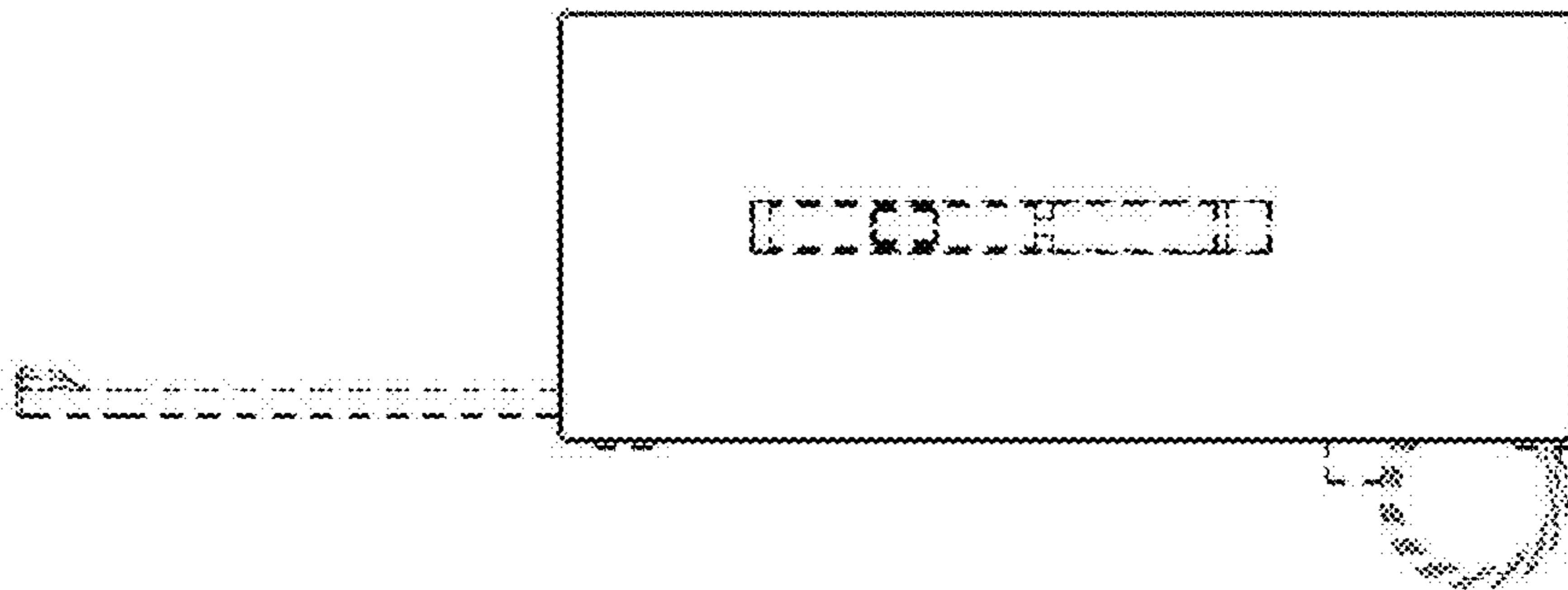


Figure 12

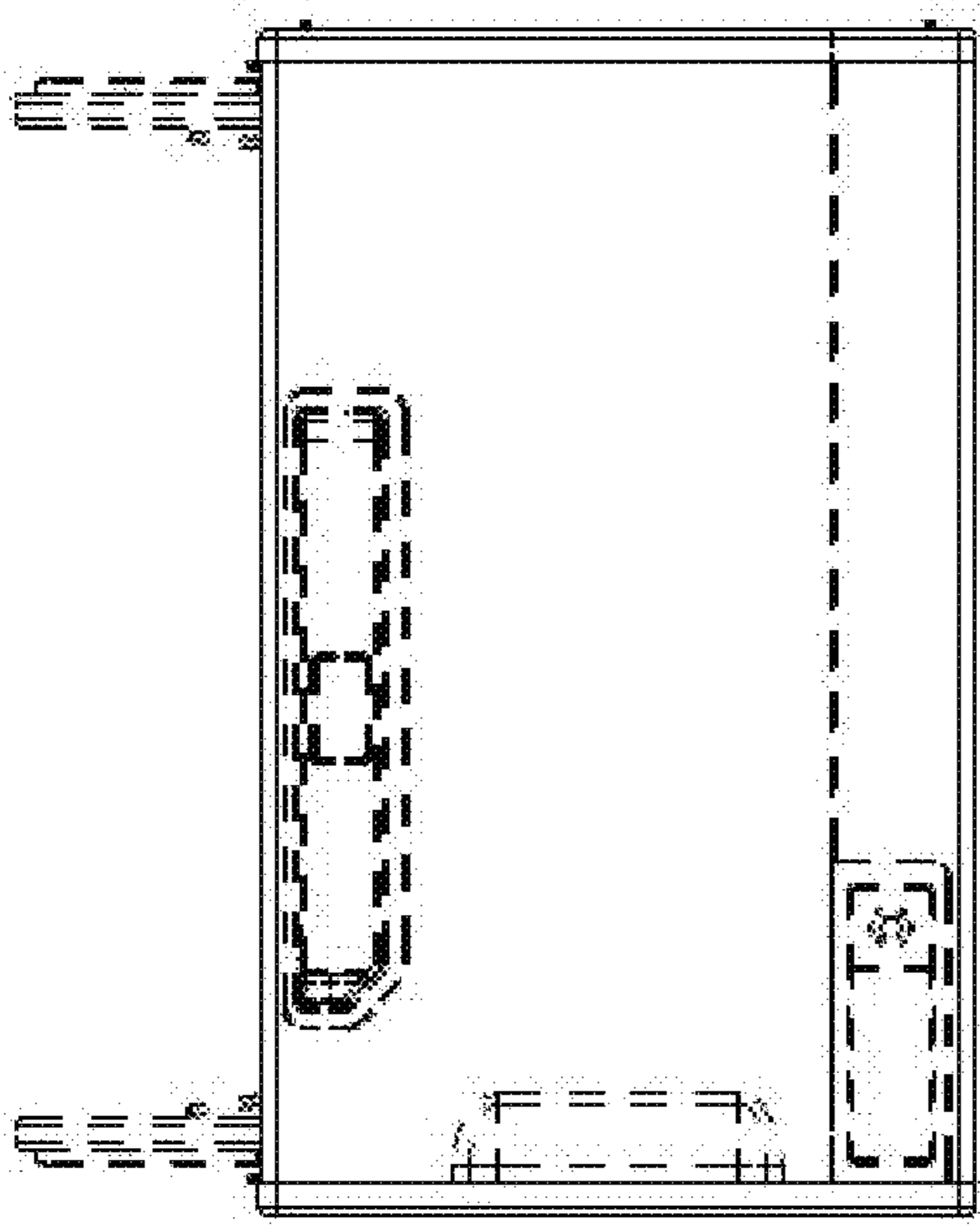


Figure 13

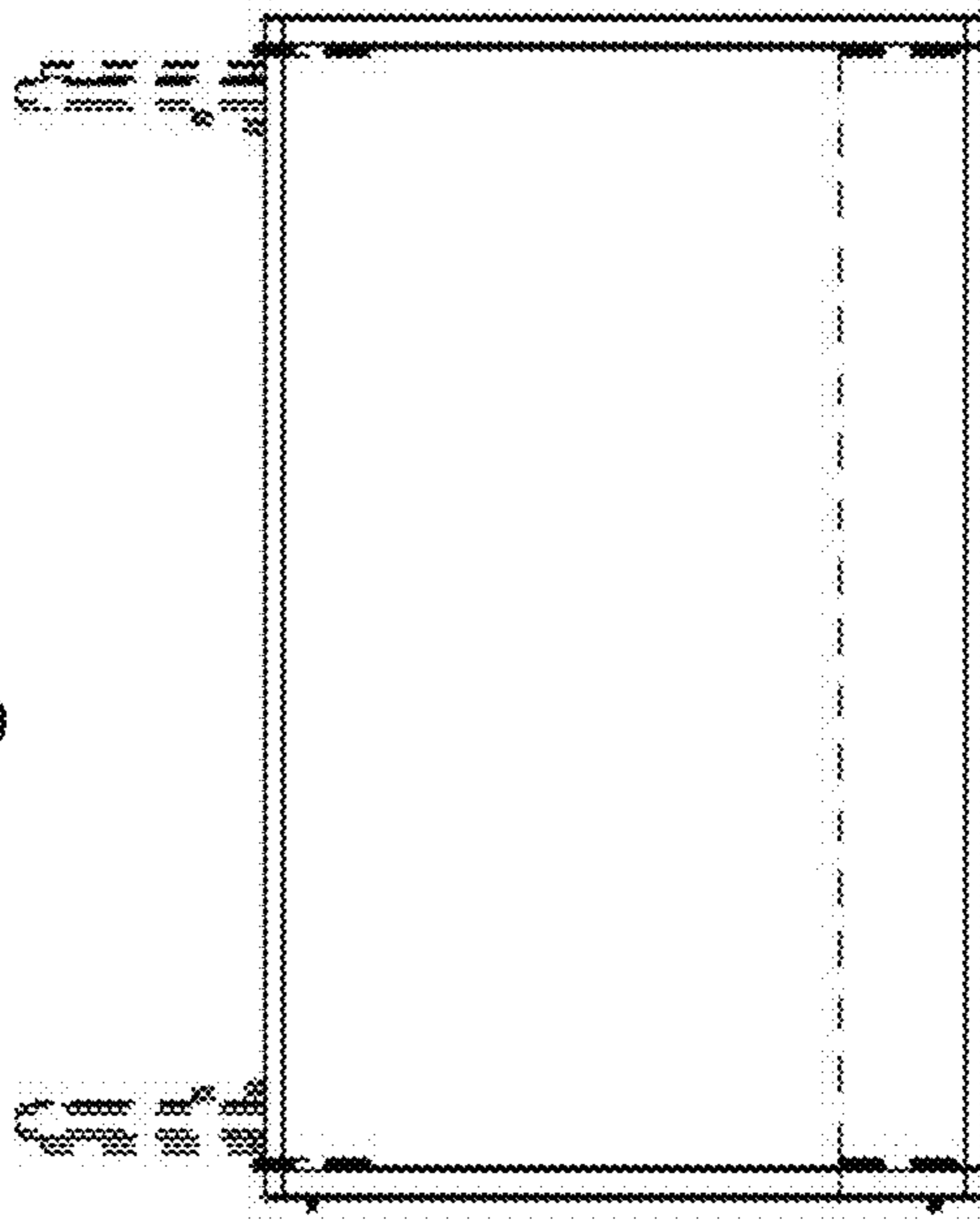


Figure 14