



US00D904758S

(12) **United States Design Patent** (10) **Patent No.:** **US D904,758 S**  
**Bullock et al.** (45) **Date of Patent:** **\*\* Dec. 15, 2020**

- (54) **BAG**
- (71) Applicant: **YETI Coolers, LLC**, Austin, TX (US)
- (72) Inventors: **Dustin Bullock**, Austin, TX (US); **John Loudenslager**, Austin, TX (US); **Paul Fair**, Denver, CO (US)
- (73) Assignee: **YETI Coolers, LLC**, Austin, TX (US)
- (\*\*) Term: **15 Years**
- (21) Appl. No.: **29/700,056**
- (22) Filed: **Jul. 31, 2019**
- (51) **LOC (12) Cl.** ..... **03-01**
- (52) **U.S. Cl.**  
USPC ..... **D3/246**
- (58) **Field of Classification Search**  
USPC ..... D3/232–233, 240–243, 245–246  
CPC ..... A45C 1/024; A45C 3/06; A45C 3/08  
See application file for complete search history.

- 9,226,557 B2 1/2016 Sullivan
- D756,113 S 5/2016 Slimane
- D758,717 S 6/2016 Joo et al.
- D761,018 S 7/2016 Gamble
- D773,180 S 12/2016 Yuson
- D782,187 S 3/2017 Lucas
- D784,689 S 4/2017 Dumas

(Continued)

**FOREIGN PATENT DOCUMENTS**

- CA 167710 A 2/1916
- CN 303799311 8/2016

(Continued)

*Primary Examiner* — Holly H Baynham

(74) *Attorney, Agent, or Firm* — Banner & Witcoff, Ltd.

(57) **CLAIM**

The ornamental design for a bag, as shown and described.

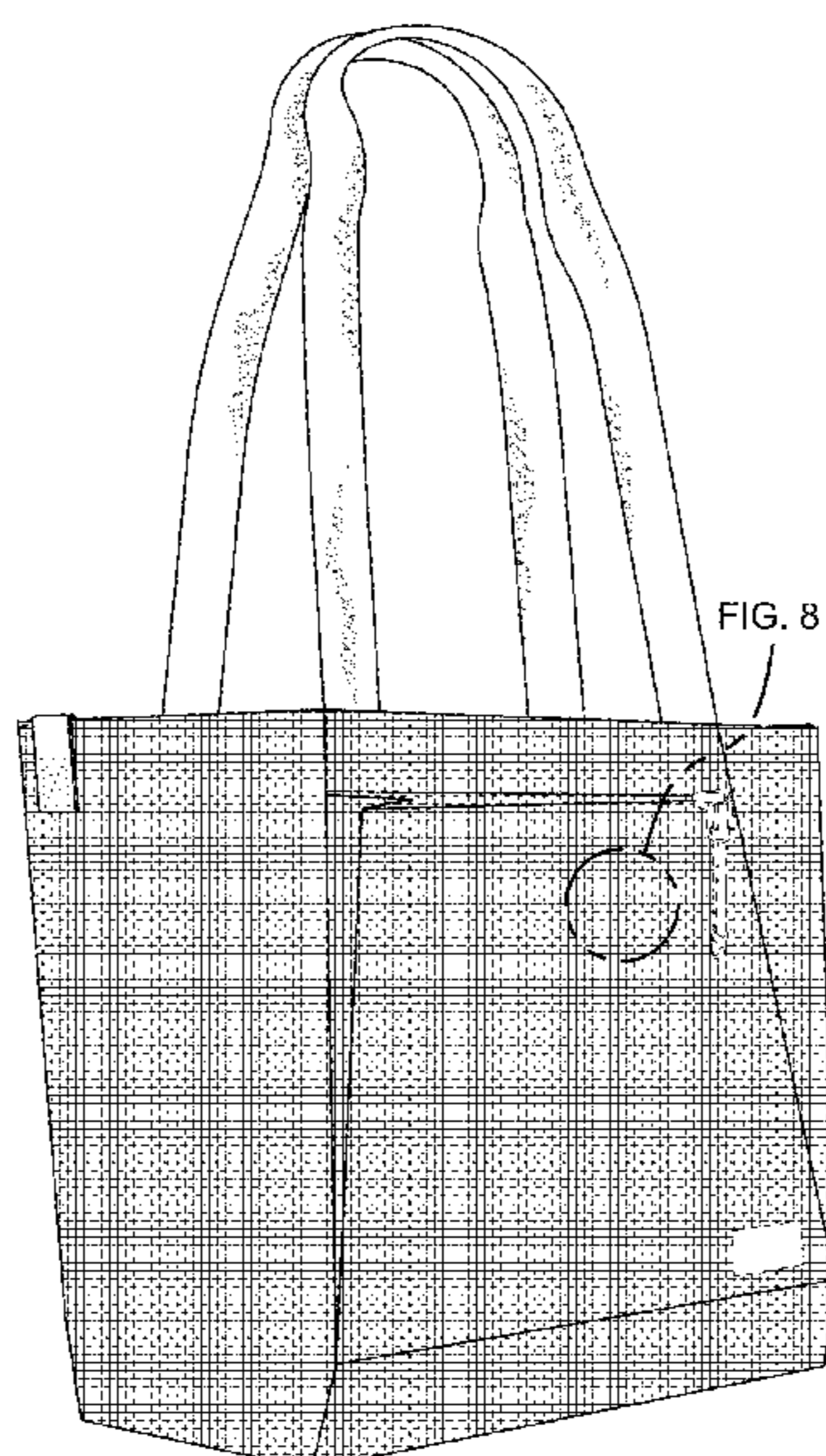
**DESCRIPTION**

FIG. 1 is a top, front, left perspective view of a bag showing our new design;  
 FIG. 2 is a front view thereof;  
 FIG. 3 is a rear view thereof;  
 FIG. 4 is a left side view thereof;  
 FIG. 5 is a right side view thereof;  
 FIG. 6 is a top view thereof;  
 FIG. 7 is a bottom view thereof; and,  
 FIG. 8 is an enlarged view of a representative region identified by the number “8” in FIG. 8 thereof.  
 The broken lines represent features that form no part of the claimed design. The broken lines encircling the portion in FIG. 1 and in the enlarged view of FIG. 8 form no part of the claimed design. The pattern shown in FIG. 8 of the representative region of the bag in FIG. 1 is applied to the exterior surface of the outer shell of the bag in the embodiment shown in FIGS. 1-8.

**1 Claim, 8 Drawing Sheets**

(56) **References Cited**  
 U.S. PATENT DOCUMENTS

- D504,227 S 4/2005 Delafontaine
- D530,508 S 10/2006 Delafontaine
- D530,509 S 10/2006 Delafontaine
- 7,178,567 B2 2/2007 Mangano
- D539,033 S 3/2007 Cassegrain
- D570,110 S \* 6/2008 Guyon ..... D3/246
- D582,672 S 12/2008 Gonzalez
- 7,900,757 B2 3/2011 Sisitsky
- D655,913 S \* 3/2012 Gerbi ..... D3/232
- D656,312 S \* 3/2012 Gerbi ..... D3/232
- D673,772 S \* 1/2013 Munson ..... D3/246
- D702,435 S 4/2014 Kriemler
- D702,937 S 4/2014 Philo
- D711,100 S 8/2014 Dingizian
- D714,546 S 10/2014 Joo et al.
- D739,654 S 9/2015 Brouard
- D746,053 S 12/2015 Sassi



# US D904,758 S

(56)

## References Cited

### U.S. PATENT DOCUMENTS

D798,057 S	9/2017	Lo et al.	
D807,033 S	1/2018	Lucas	
D808,157 S	1/2018	Viger et al.	
D808,655 S	1/2018	Seiders et al.	
D811,734 S	3/2018	Jakubowski	
D819,967 S	6/2018	Carter et al.	
D824,666 S	8/2018	Carter et al.	
D826,554 S *	8/2018	Larian .....	D3/232
D828,689 S	9/2018	Kandel	
D831,345 S	10/2018	Molnar	
D835,949 S	12/2018	Triska et al.	
10,143,282 B2	12/2018	Seiders et al.	
D837,511 S	1/2019	Maier	
D838,104 S	1/2019	Nair	
D846,275 S	4/2019	Barlier	
D847,499 S	5/2019	Dumas	
D847,501 S	5/2019	Carter et al.	
D851,924 S	6/2019	Dumas	
D851,937 S	6/2019	Fuller	
D852,497 S	7/2019	Ferrero	
D852,498 S	7/2019	Sassi	
D854,824 S	7/2019	Kern	
D855,317 S	8/2019	Kern	
2018/0303214 A1	10/2018	Harris et al.	

### FOREIGN PATENT DOCUMENTS

CN	303982521	12/2016
CN	304162627	6/2017

CN	304464116	1/2018
CN	305058308	3/2019
CN	305233446	6/2019
CN	305272181	7/2019
EA	004114098-0002	10/2017
EM	005941036-0003	1/2010
EM	002497537-0003	7/2014
EM	002530519-0003	7/2014
EM	002676536-0001	6/2015
EM	002808519-0003	10/2015
EM	002865071-0001	2/2016
EM	D088869-002	3/2016
EM	003041805-0001	4/2016
EM	003379213-0001	9/2016
EM	004019578-0030	6/2017
EM	004058246-0005	8/2017
EM	005582020-0001	10/2018
EM	005941036-0004	1/2019
EM	006436309-0009	6/2019
EM	005838133-0003	7/2019
EM	006601217-0001	7/2019
EM	006601217-0002	7/2019
EM	006601217-0003	7/2019
EP	004162337-0005	9/2017
JP	D1361063	6/2009
JP	D1416165	6/2011
JP	D1631205	5/2019
WO	14091261 A1	6/2014
WO	D101755-001	7/2018

\* cited by examiner



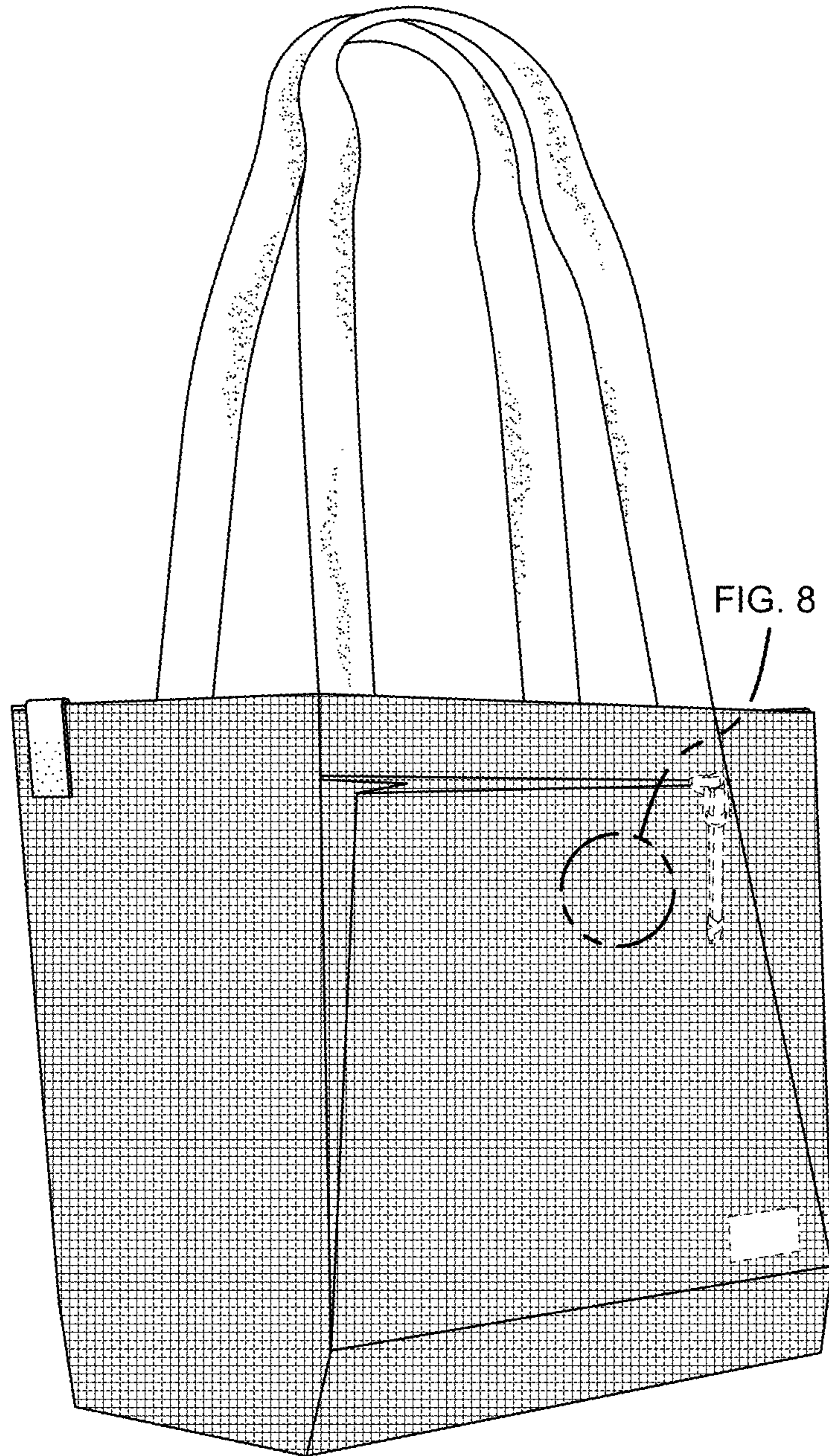


FIG. 1

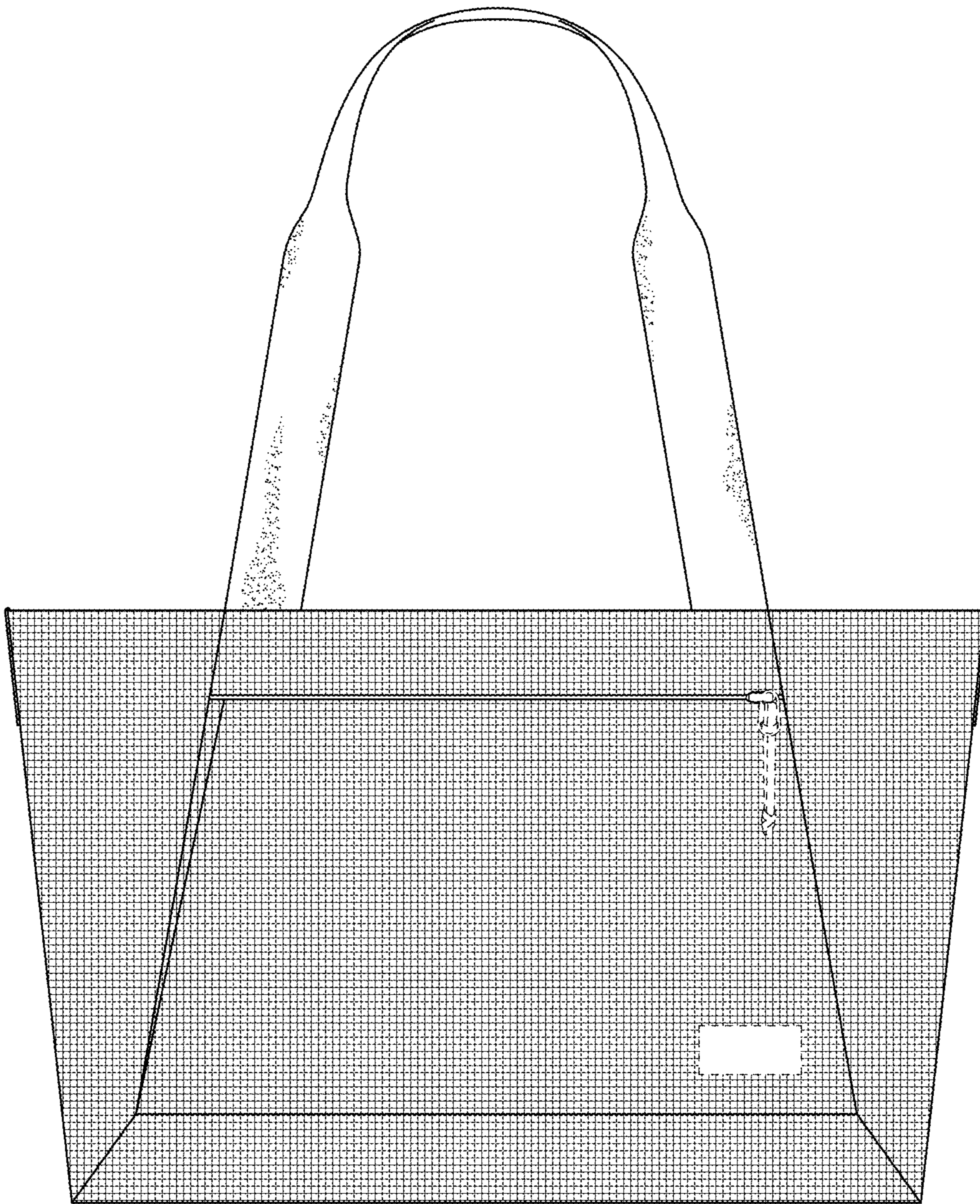


FIG. 2



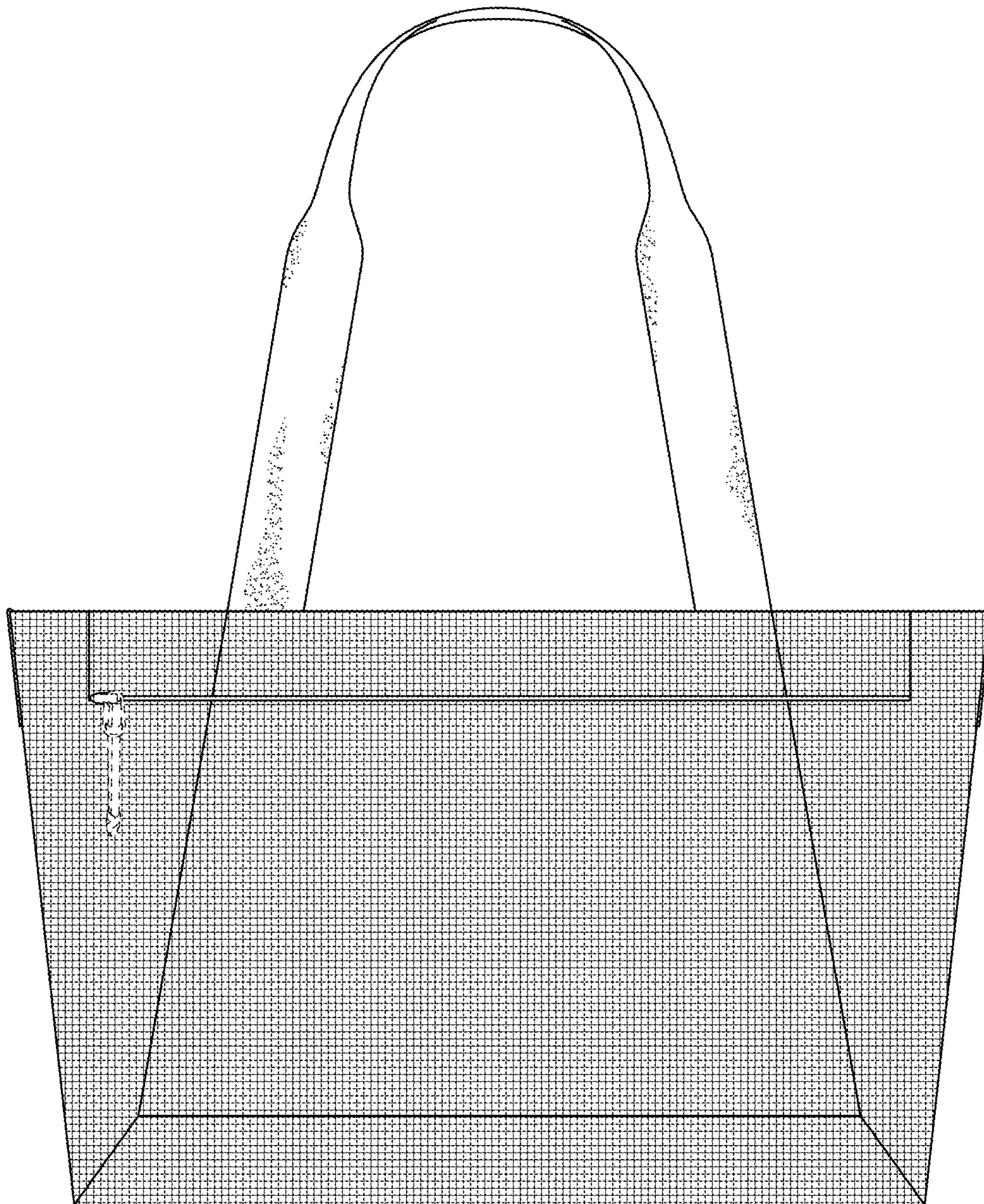


FIG. 3

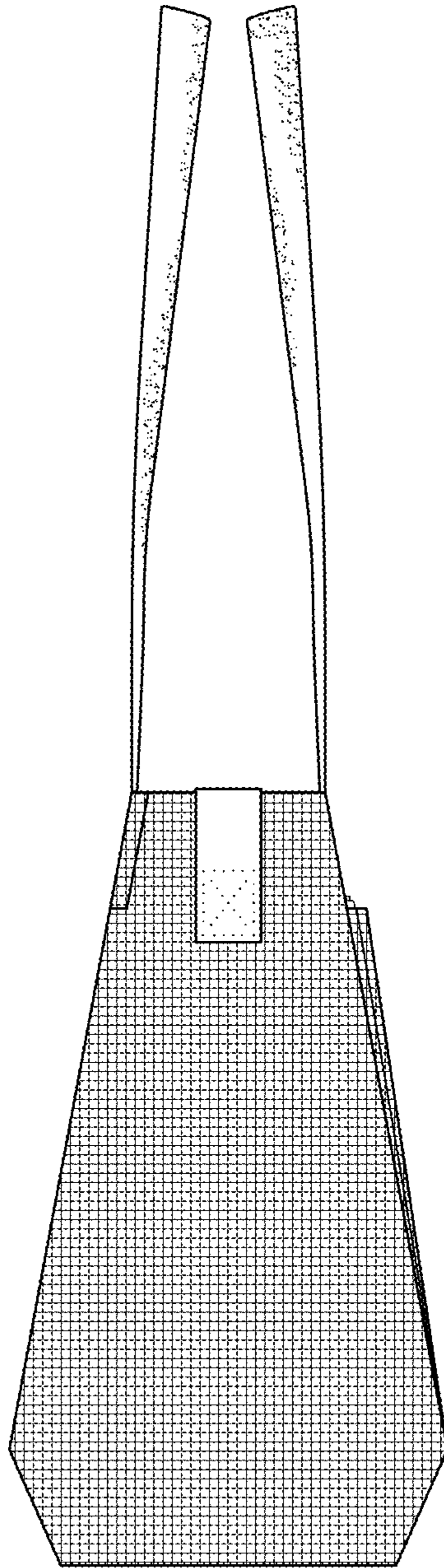


FIG. 4

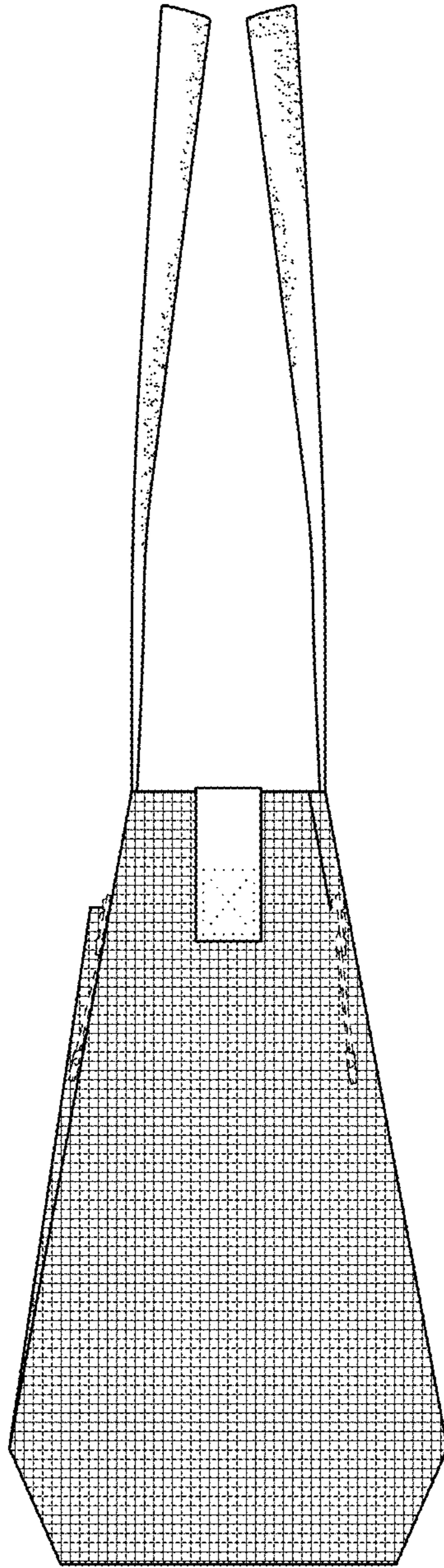


FIG. 5



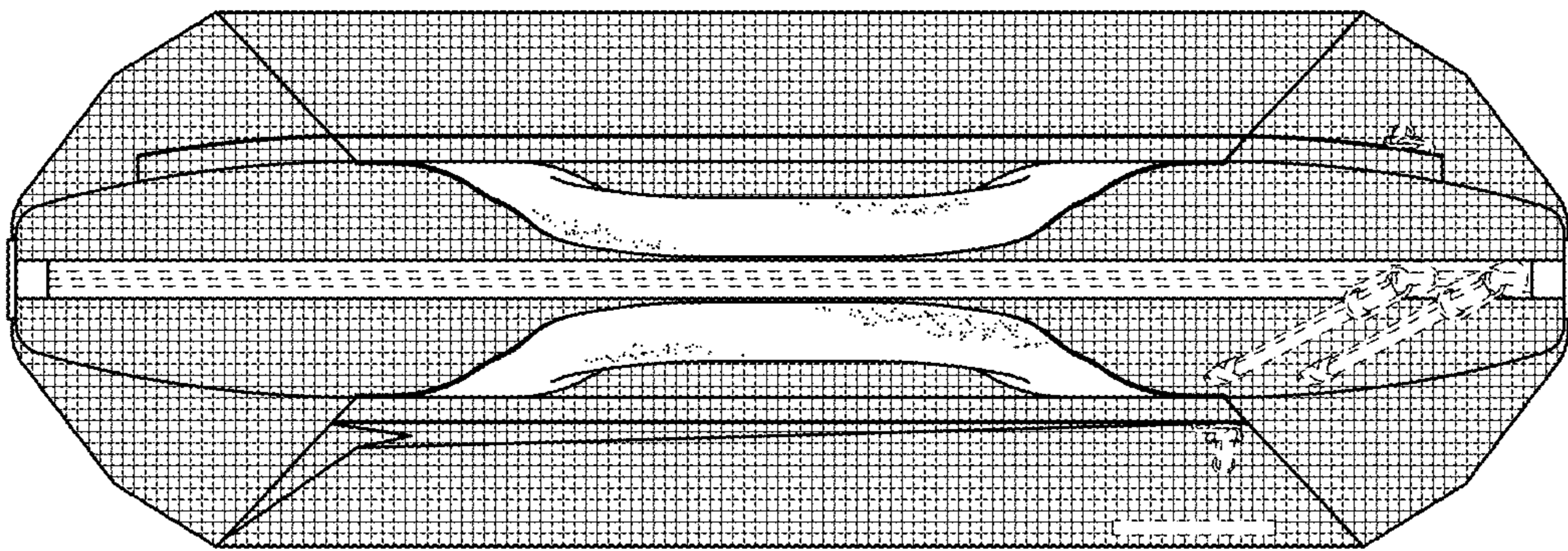


FIG. 6



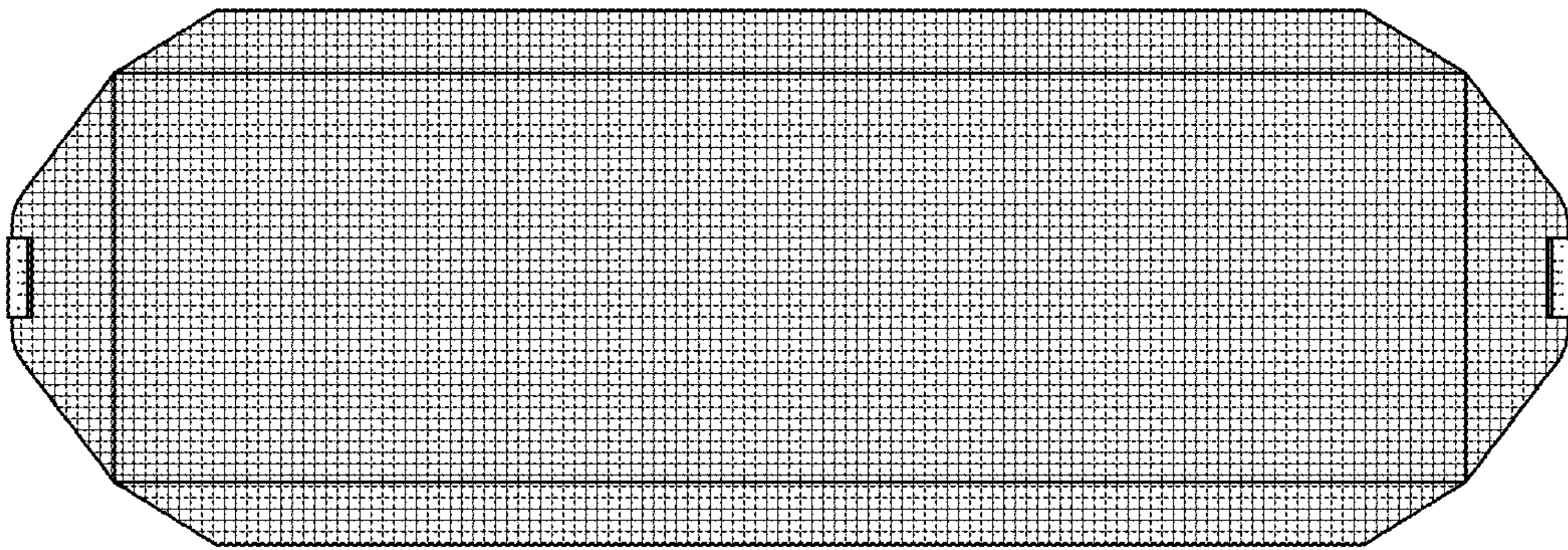


FIG. 7

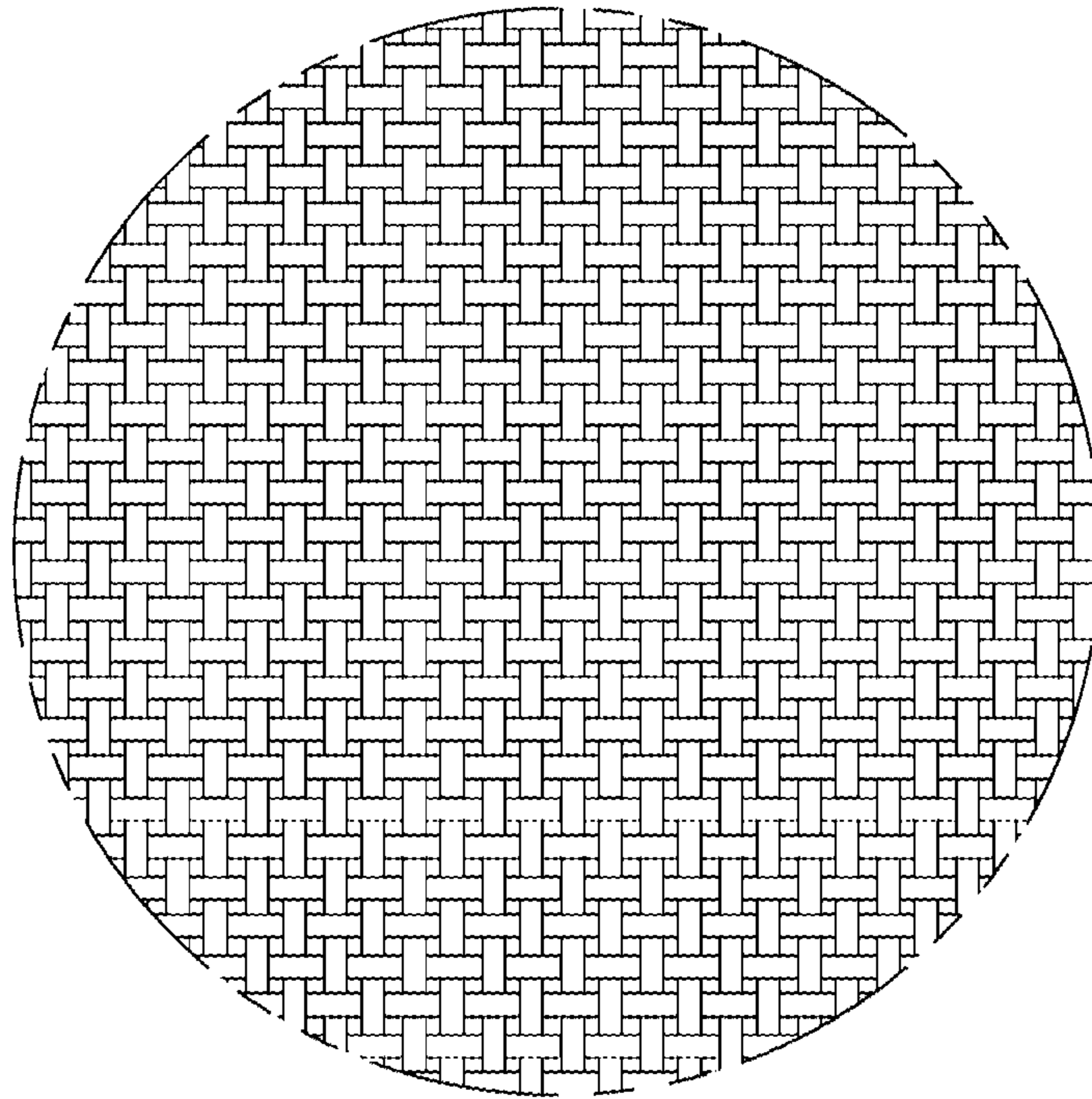


FIG. 8

UNITED STATES PATENT AND TRADEMARK OFFICE  
**CERTIFICATE OF CORRECTION**

PATENT NO. : D904,758 S  
APPLICATION NO. : 29/700056  
DATED : December 15, 2020  
INVENTOR(S) : Bullock et al.

Page 1 of 1

It is certified that error appears in the above-identified patent and that said Letters Patent is hereby corrected as shown below:

On the Title Page

Column 2, Description, Line 10:  
Delete "FIG. 8" and insert --FIG. 1--

Signed and Sealed this  
Twenty-seventh Day of April, 2021



Drew Hirshfeld  
*Performing the Functions and Duties of the  
Under Secretary of Commerce for Intellectual Property and  
Director of the United States Patent and Trademark Office*