



US00D904757S

(12) **United States Design Patent**
Tran et al.

(10) **Patent No.:** **US D904,757 S**
(45) **Date of Patent:** **** Dec. 15, 2020**

(54) **CARRY CASE FOR PORTABLE COMMUNICATION DEVICE**

(71) Applicant: **MOTOROLA SOLUTIONS, INC.**,
Chicago, IL (US)

(72) Inventors: **Chi T. Tran**, Naperville, IL (US);
Goktug Duman, Oakland Park, FL (US);
Ryan M. Nilsen, Plantation, FL (US)

(73) Assignee: **MOTOROLA SOLUTIONS, INC.**,
Chicago, IL (US)

(**) Term: **15 Years**

(21) Appl. No.: **29/699,969**

(22) Filed: **Jul. 30, 2019**

(51) **LOC (12) Cl.** **03-01**

(52) **U.S. Cl.**
USPC **D3/218**

(58) **Field of Classification Search**
USPC D3/218, 219, 215, 226, 228, 230, 303,
D3/232, 240; 224/647, 668, 240, 914,
(Continued)

(56) **References Cited**

U.S. PATENT DOCUMENTS

D413,435 S * 9/1999 Chapman 224/908
D543,694 S * 6/2007 Wang D3/218
(Continued)

Primary Examiner — Catherine R Oliver-Garcia

(74) *Attorney, Agent, or Firm* — Raguraman Kumaresan

(57) **CLAIM**

The ornamental design for a carry case for portable communication device, as shown and described.

DESCRIPTION

FIG. 1 is a front perspective view of a first embodiment of an ornamental design for a carry case for portable communication device;

FIG. 2 is a rear perspective view of the first embodiment thereof;

FIG. 3 is a front view of the first embodiment thereof;

FIG. 4 is a rear view of the first embodiment thereof;

FIG. 5 is a first side view of the first embodiment thereof;

FIG. 6 is a second side view of the first embodiment thereof;

FIG. 7 is a top view of the first embodiment thereof;

FIG. 8 is a bottom view of the first embodiment thereof;

FIG. 9 is a front perspective exploded view of a first embodiment thereof.

FIG. 10 is a rear perspective exploded view of a first embodiment thereof; and

FIG. 11 is a front perspective view of a first embodiment thereof.

FIG. 12 is a front perspective view of a second embodiment of an ornamental design for a carry case for portable communication device;

FIG. 13 is a rear perspective view of the second embodiment thereof;

FIG. 14 is a front view of the second embodiment thereof;

FIG. 15 is a rear view of the second embodiment thereof;

FIG. 16 is a first side view of the second embodiment thereof;

FIG. 17 is a second side view of the second embodiment thereof;

FIG. 18 is a top view of the second embodiment thereof;

FIG. 19 is a bottom view of the second embodiment thereof;

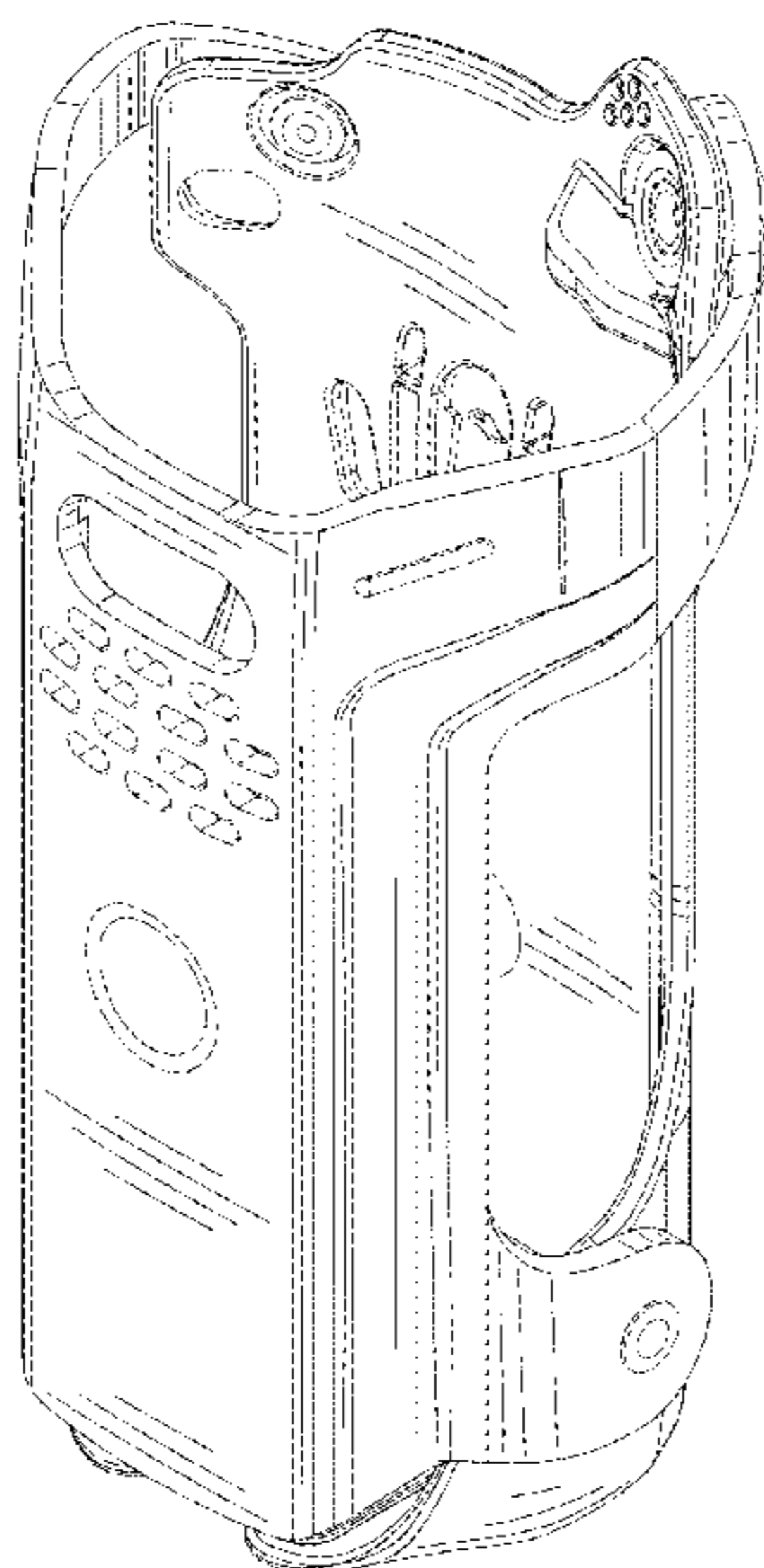
FIG. 20 is a front perspective exploded view of a second embodiment thereof.

FIG. 21 is a rear perspective exploded view of a second embodiment thereof; and,

FIG. 22 is a front perspective view of a second embodiment thereof.

The broken lines shown in FIGS. 1-22, that are immediately adjacent to the shaded areas, and define the unshaded regions, are for illustrative purposes only; the portions shown in broken lines form part of the article but do not form a part of the first and second embodiments.

1 Claim, 20 Drawing Sheets



(58) **Field of Classification Search**

USPC 224/904, 675, 676-677, 197; 383/10, 29,
383/42, 93, 95, 97-98, 104, 109;
206/305, 320

CPC A45F 5/00; A45F 5/02; A45F 5/021; A45F
5/022; A45F 2005/00; A45F 2005/008;
A45F 2005/02; A45F 2200/02; A45F
2200/0516; A45F 2200/0591

See application file for complete search history.

(56) **References Cited**

U.S. PATENT DOCUMENTS

D550,955	S	*	9/2007	Boyd	D3/218
D600,007	S	*	9/2009	Levis	D3/218
D600,008	S	*	9/2009	Levis	D3/218
D667,216	S	*	9/2012	Clifton, Jr.	D3/218
D825,917	S	*	8/2018	Harper	D3/228
2007/0278266	A1	*	12/2007	Parsons	F41C 33/045 224/197

* cited by examiner

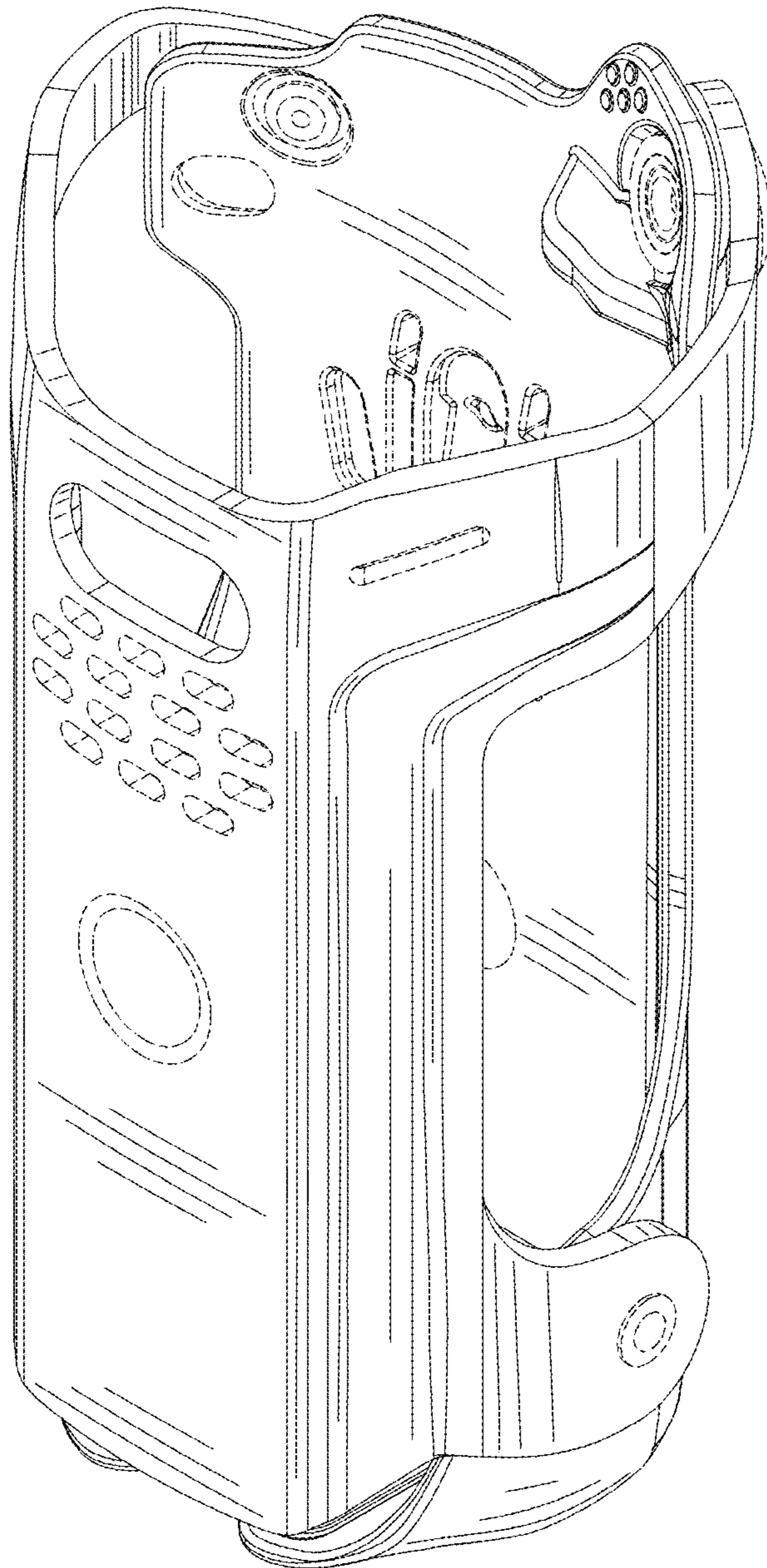


FIG. 1

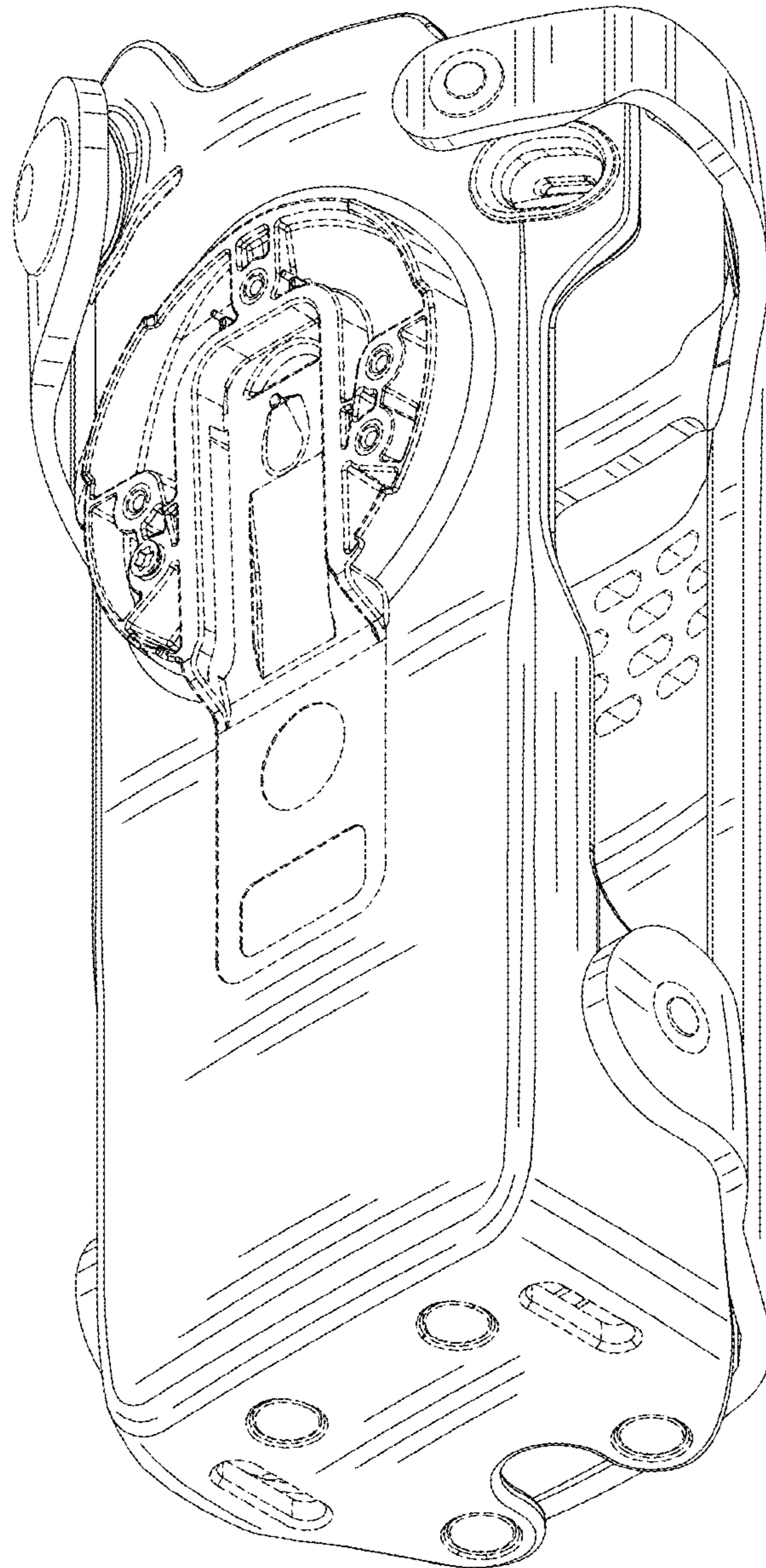


FIG. 2

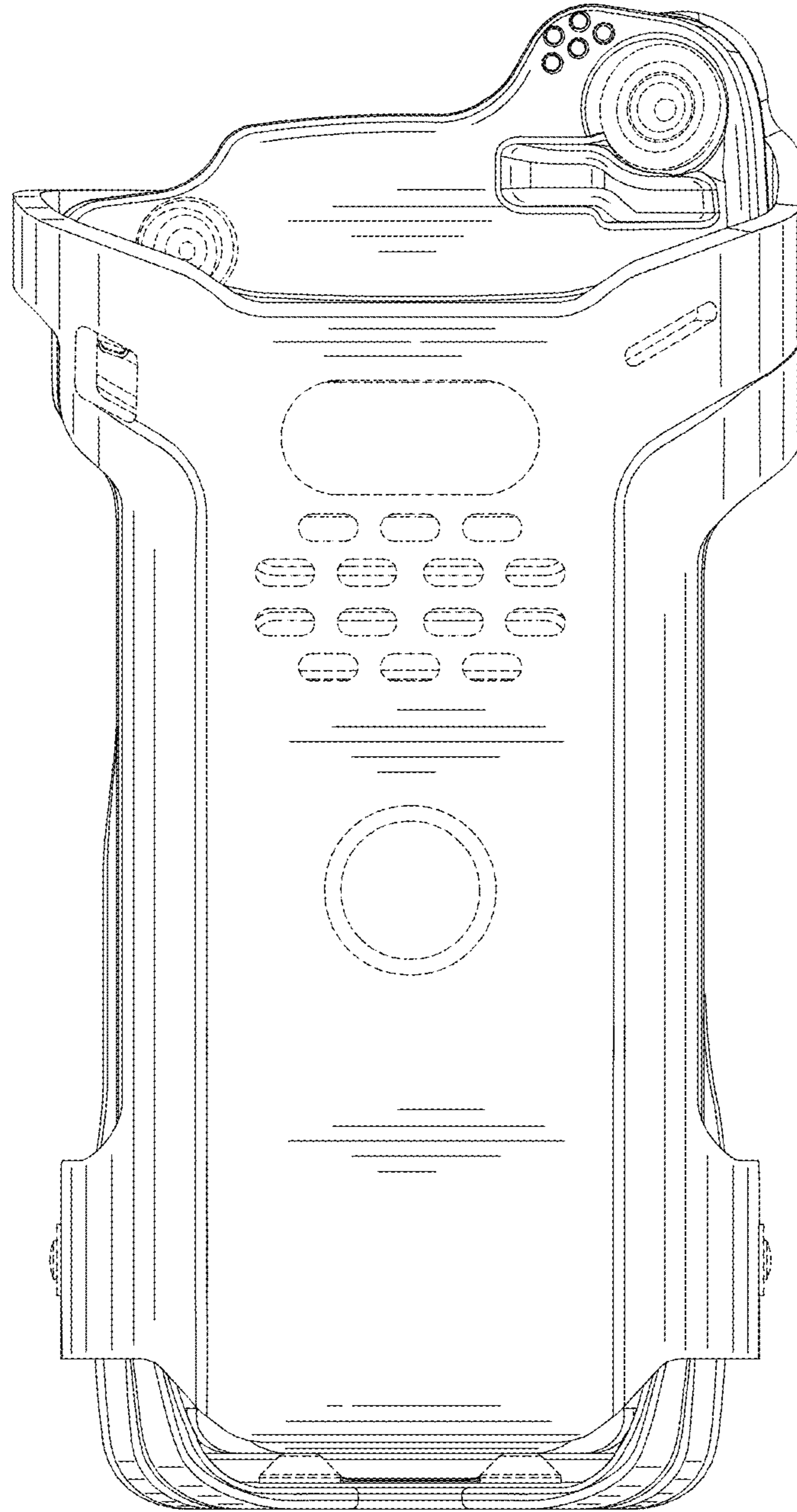


FIG. 3

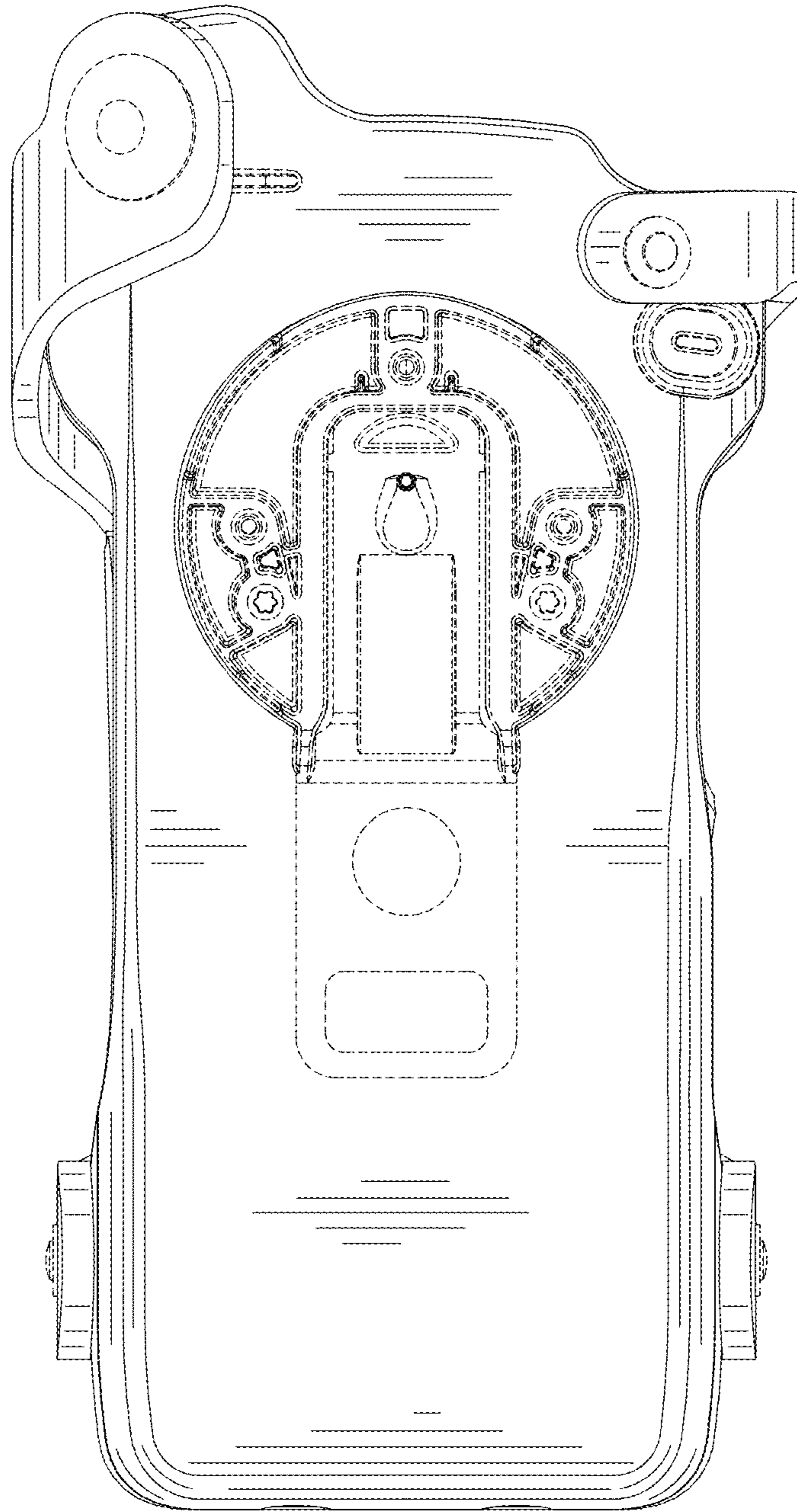


FIG. 4

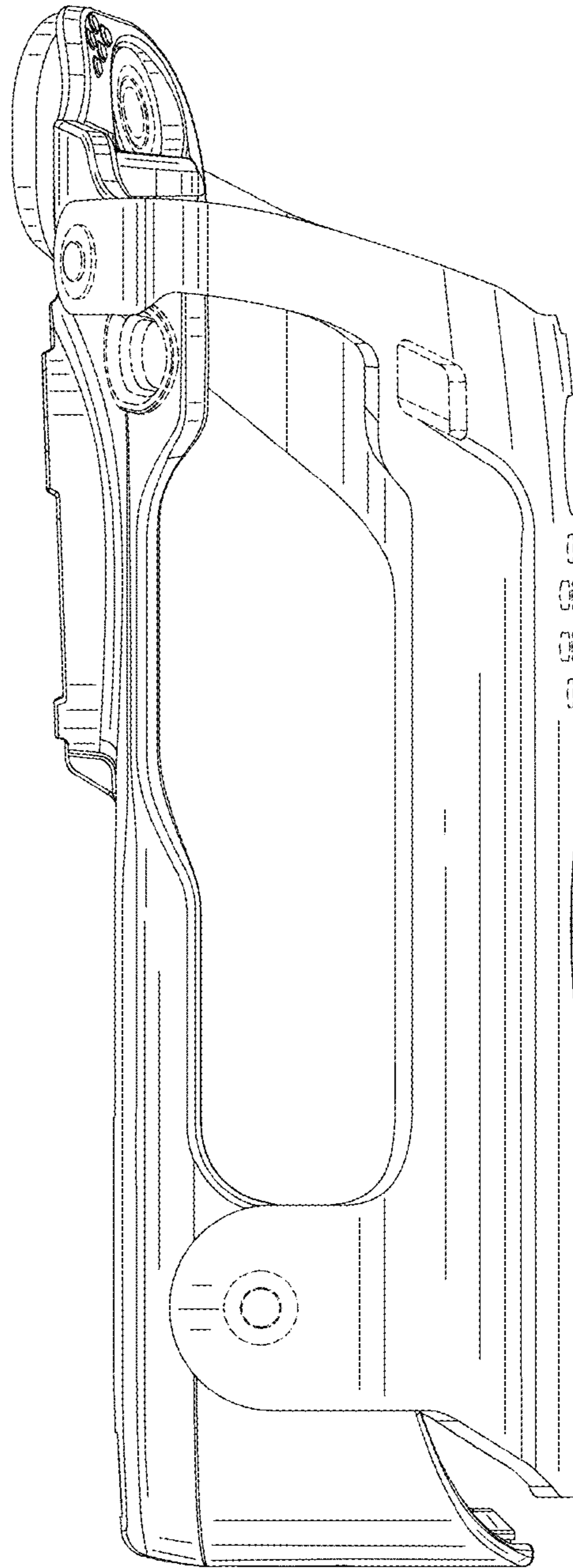


FIG. 5

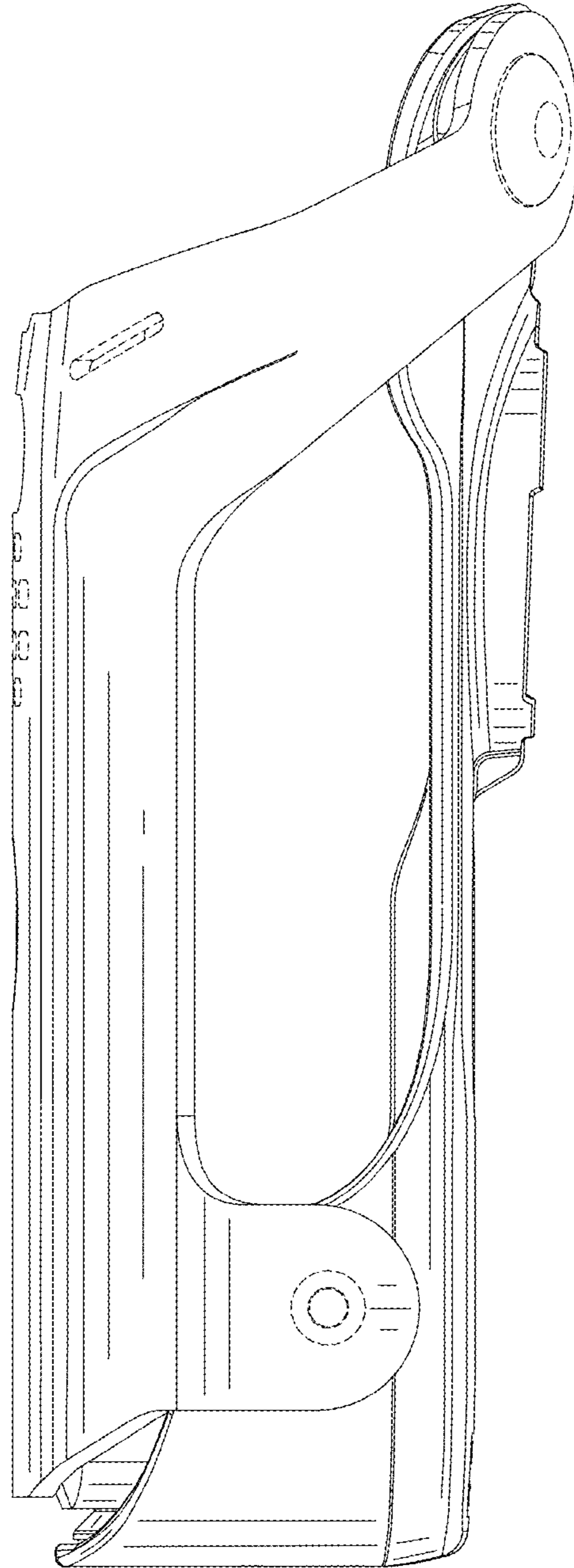


FIG. 6

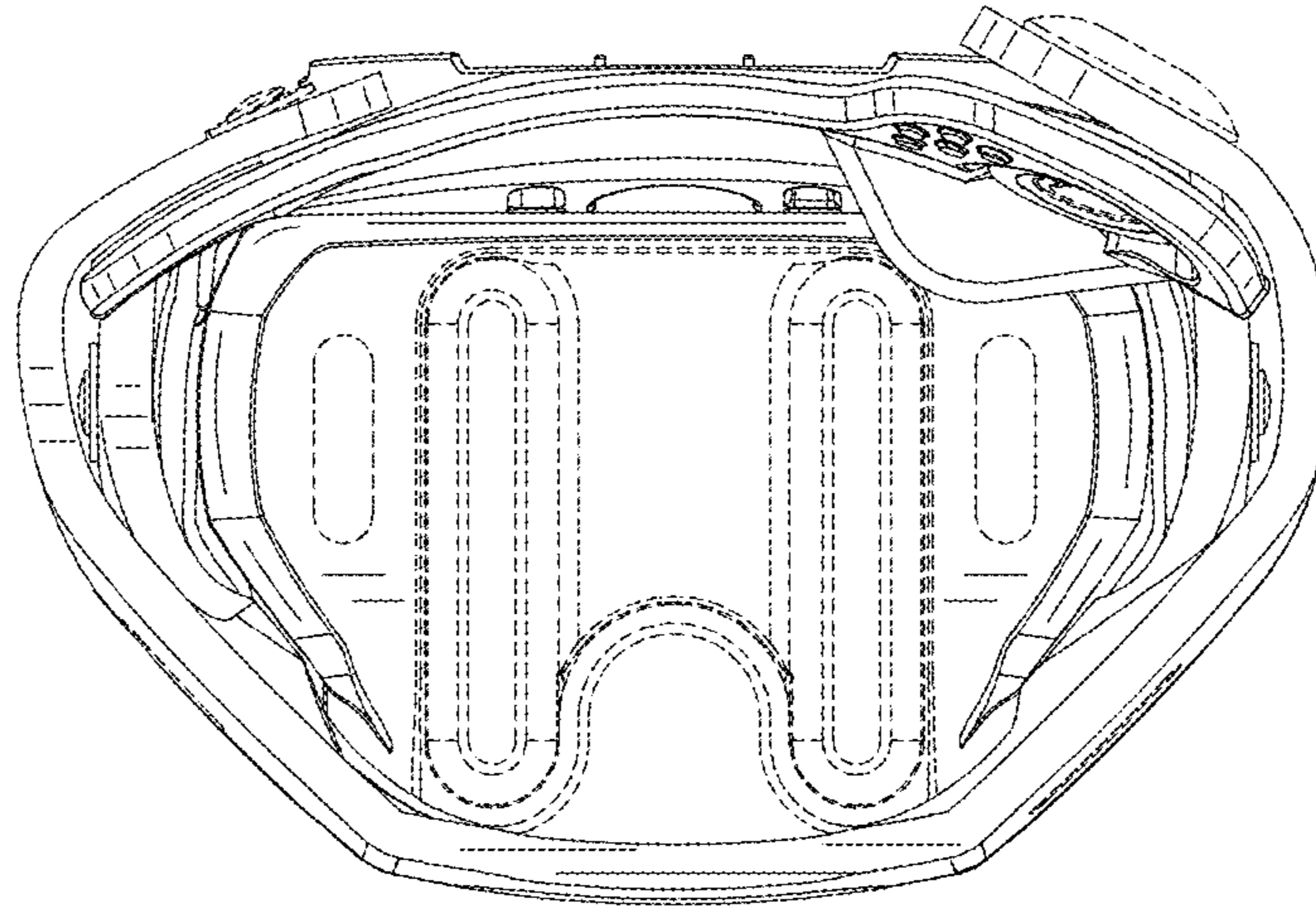


FIG. 7

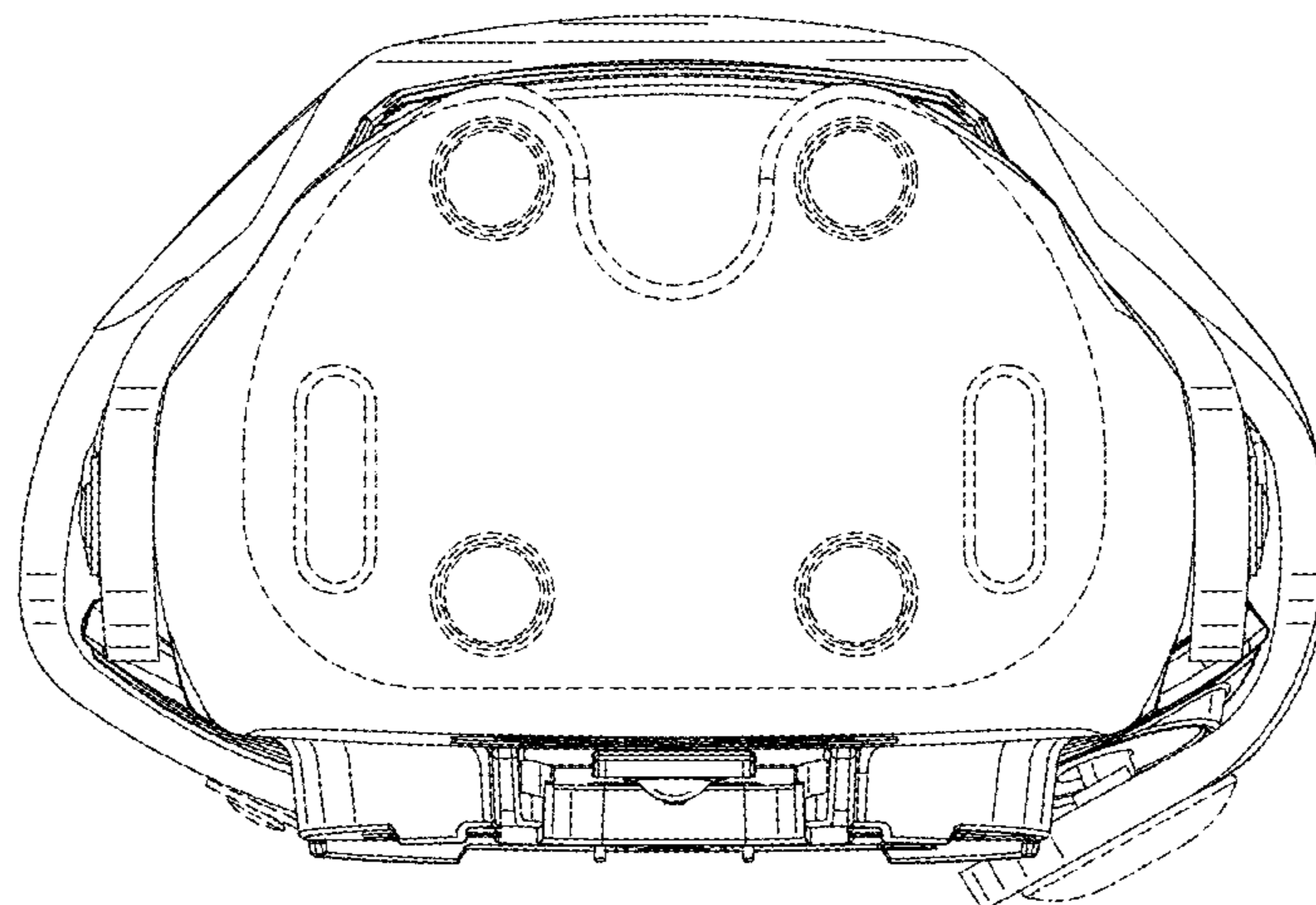


FIG. 8

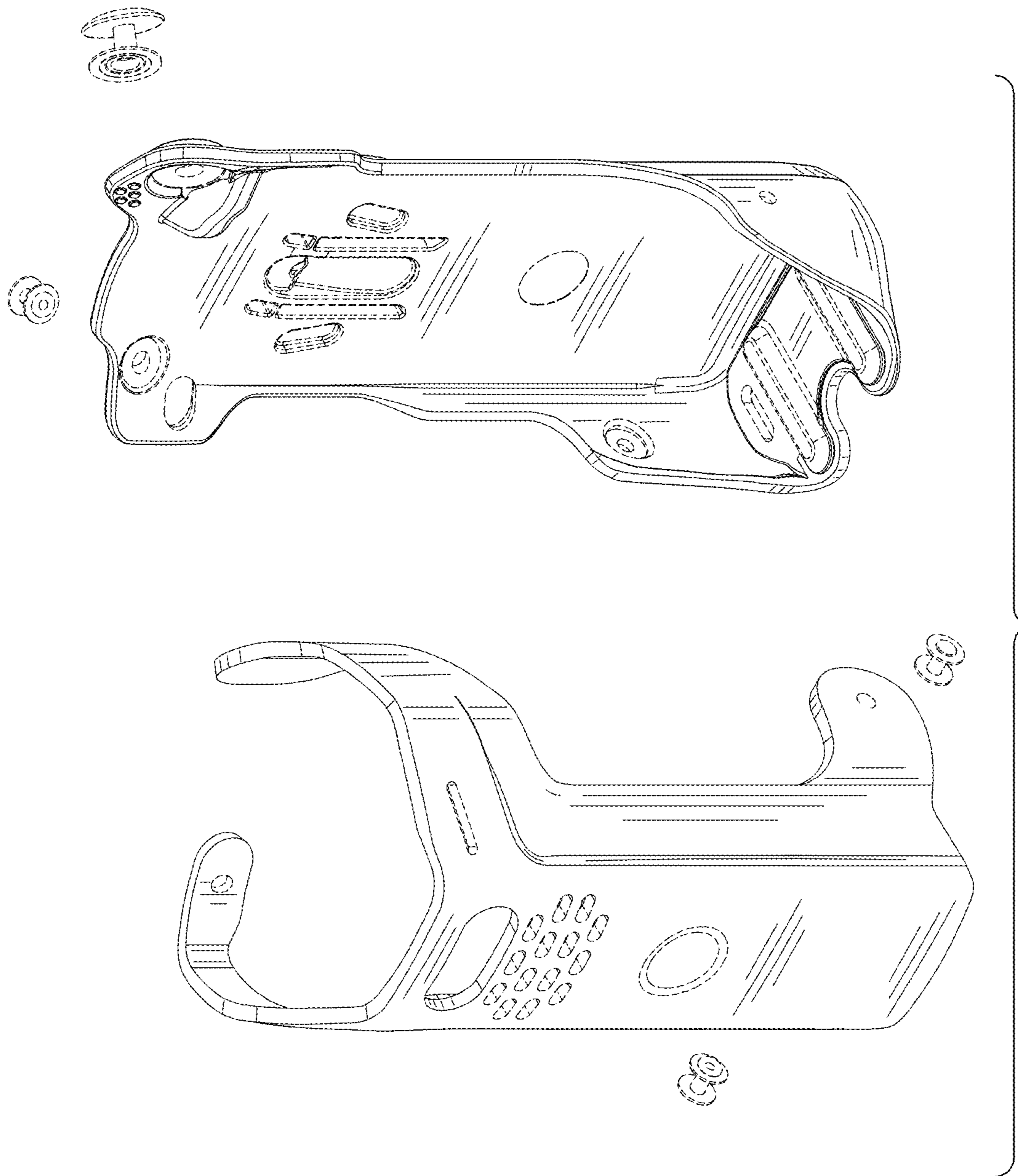


FIG. 9

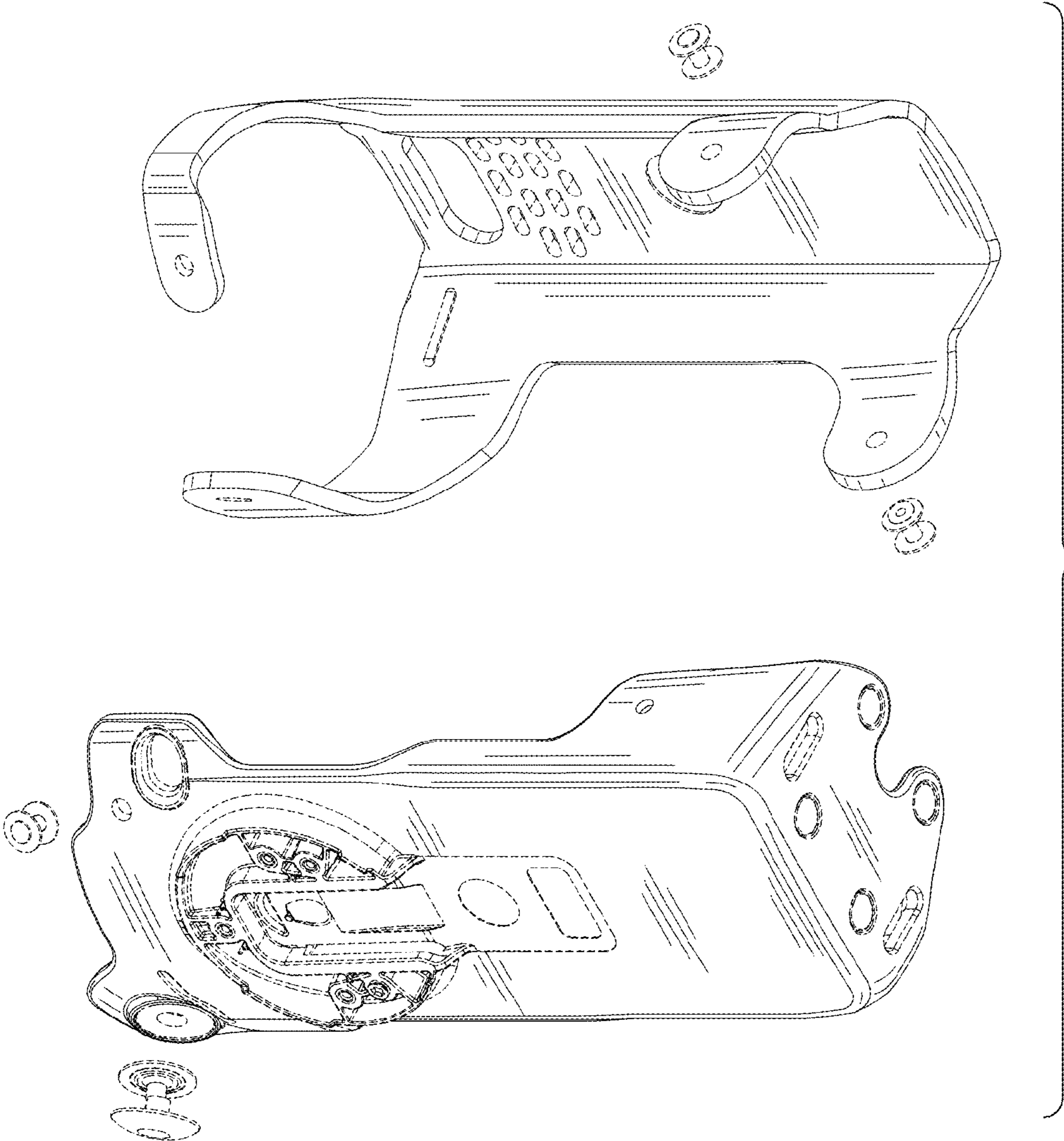


FIG. 10

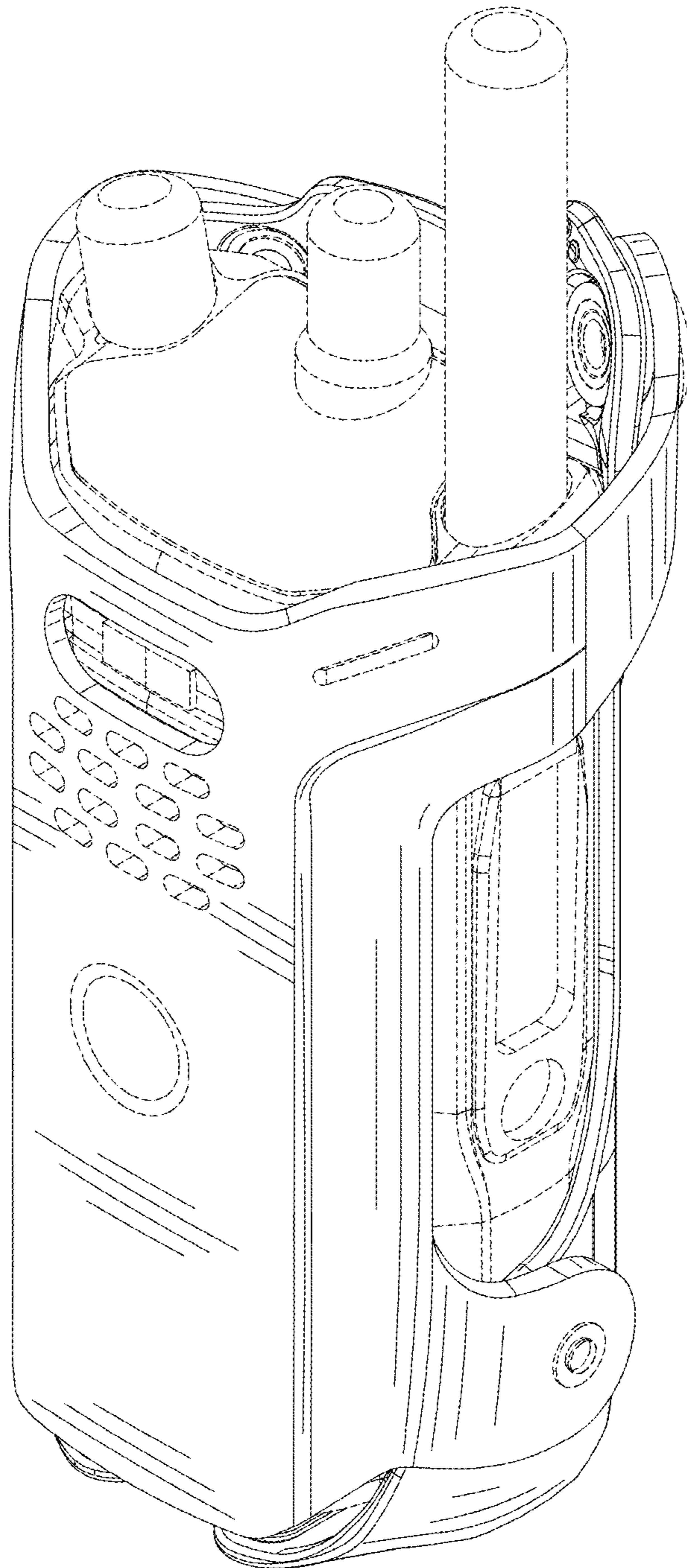


FIG. 11

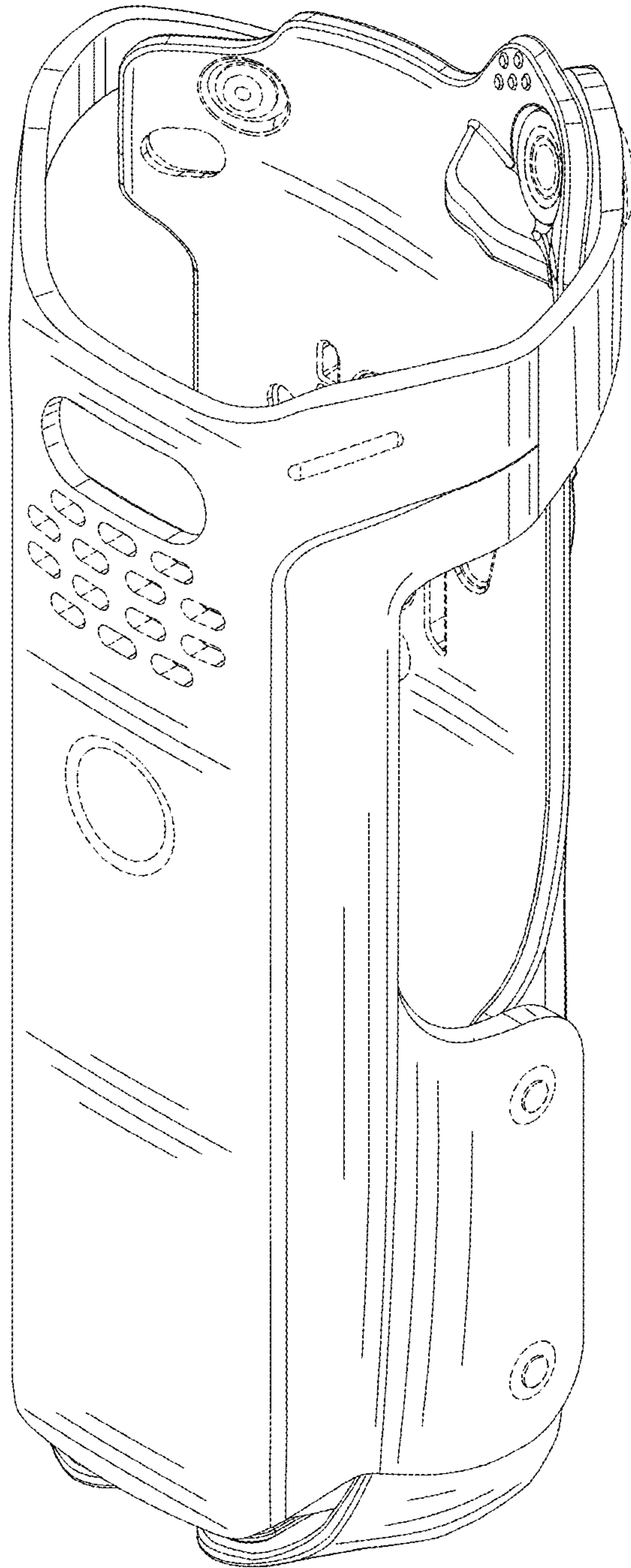


FIG. 12

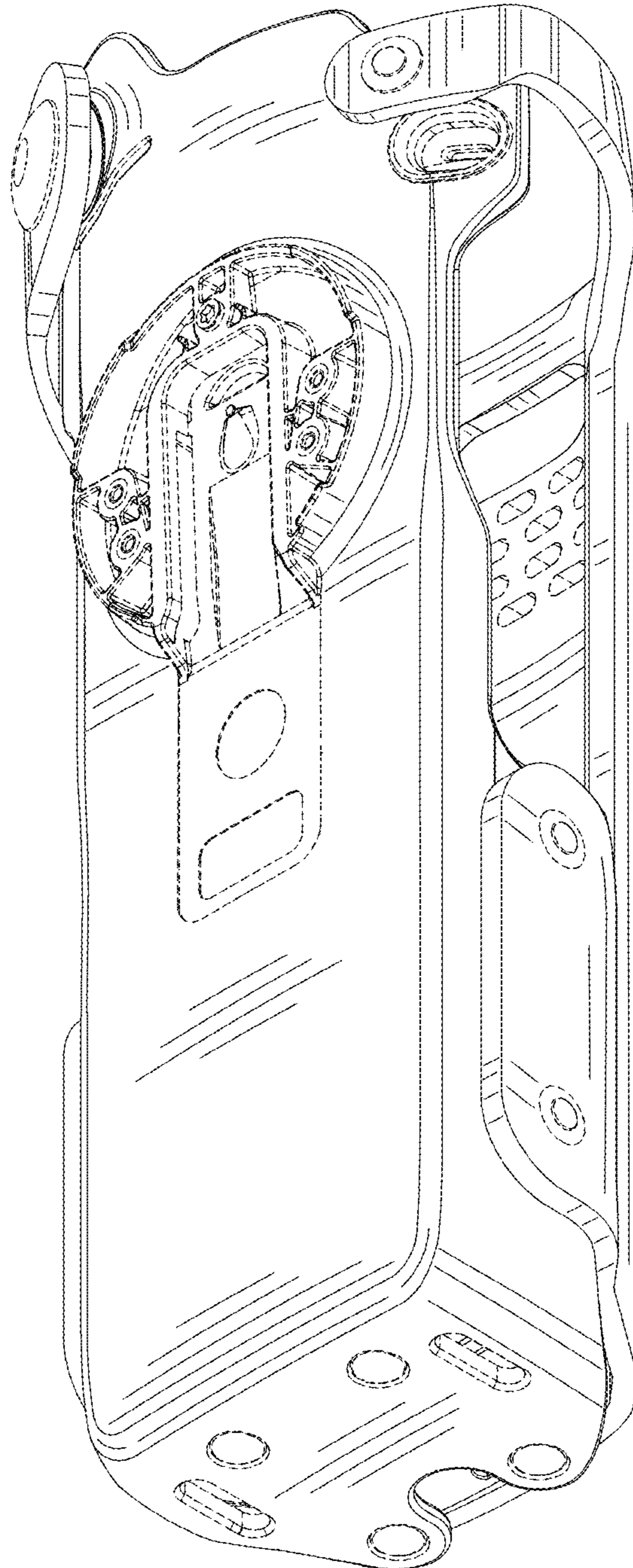


FIG. 13

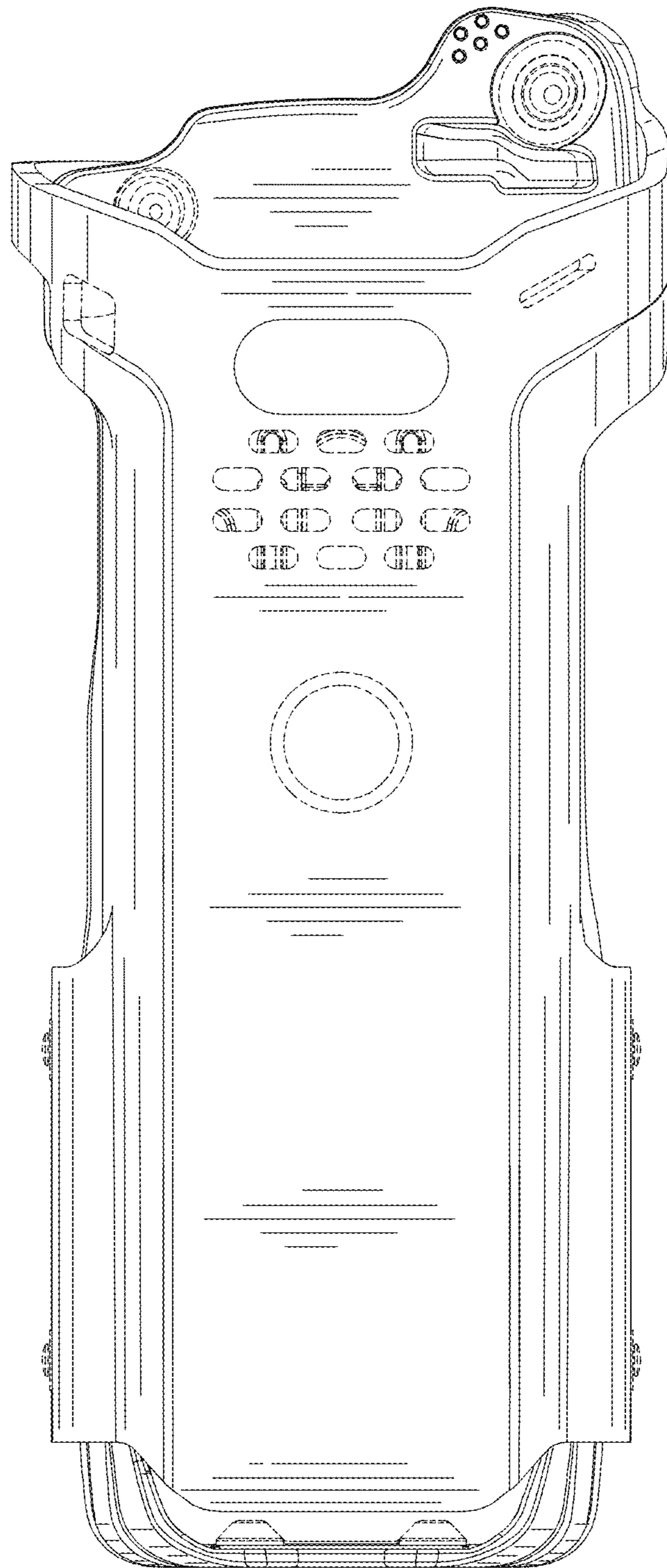


FIG. 14

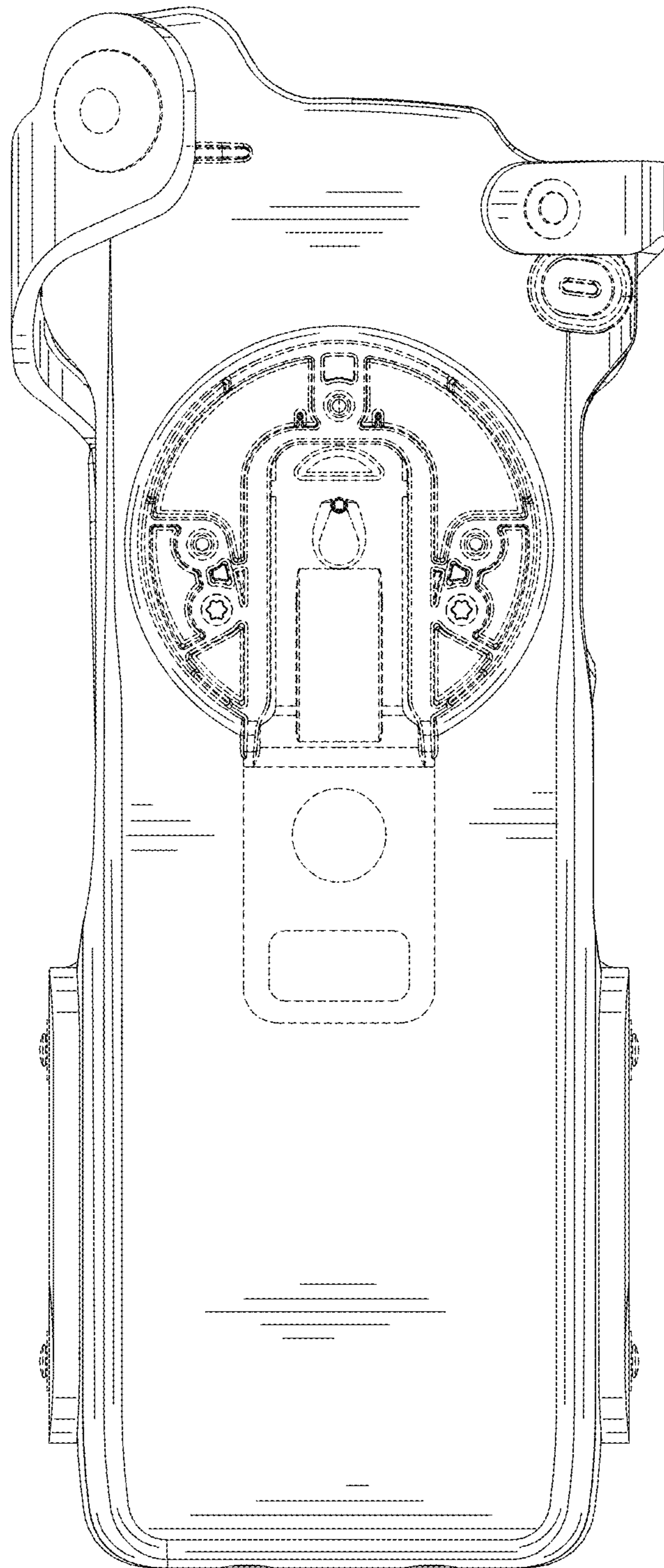


FIG. 15

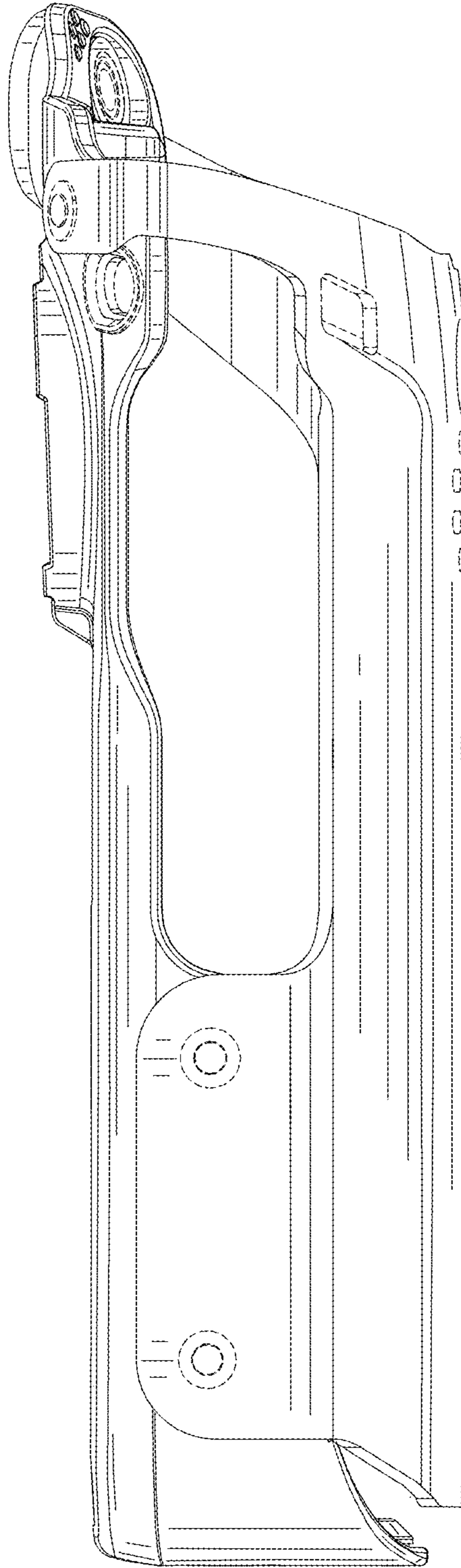


FIG. 16

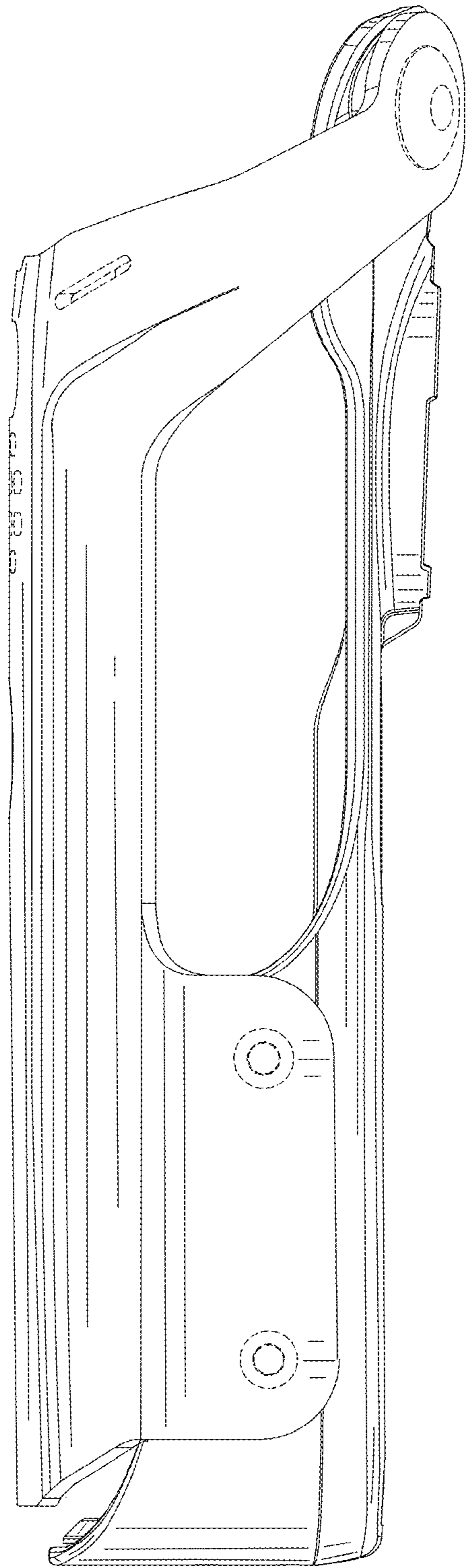


FIG. 17

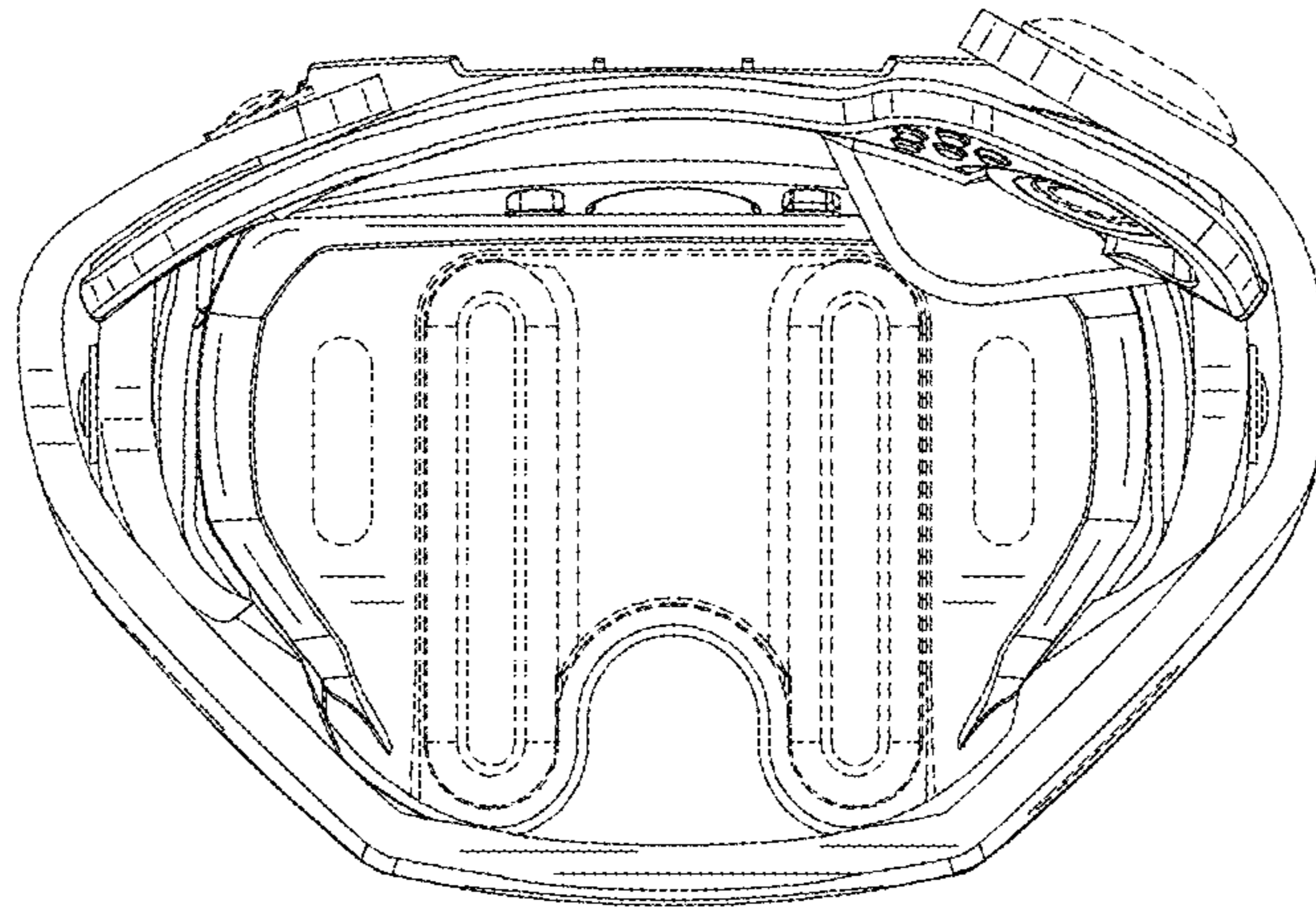


FIG. 18

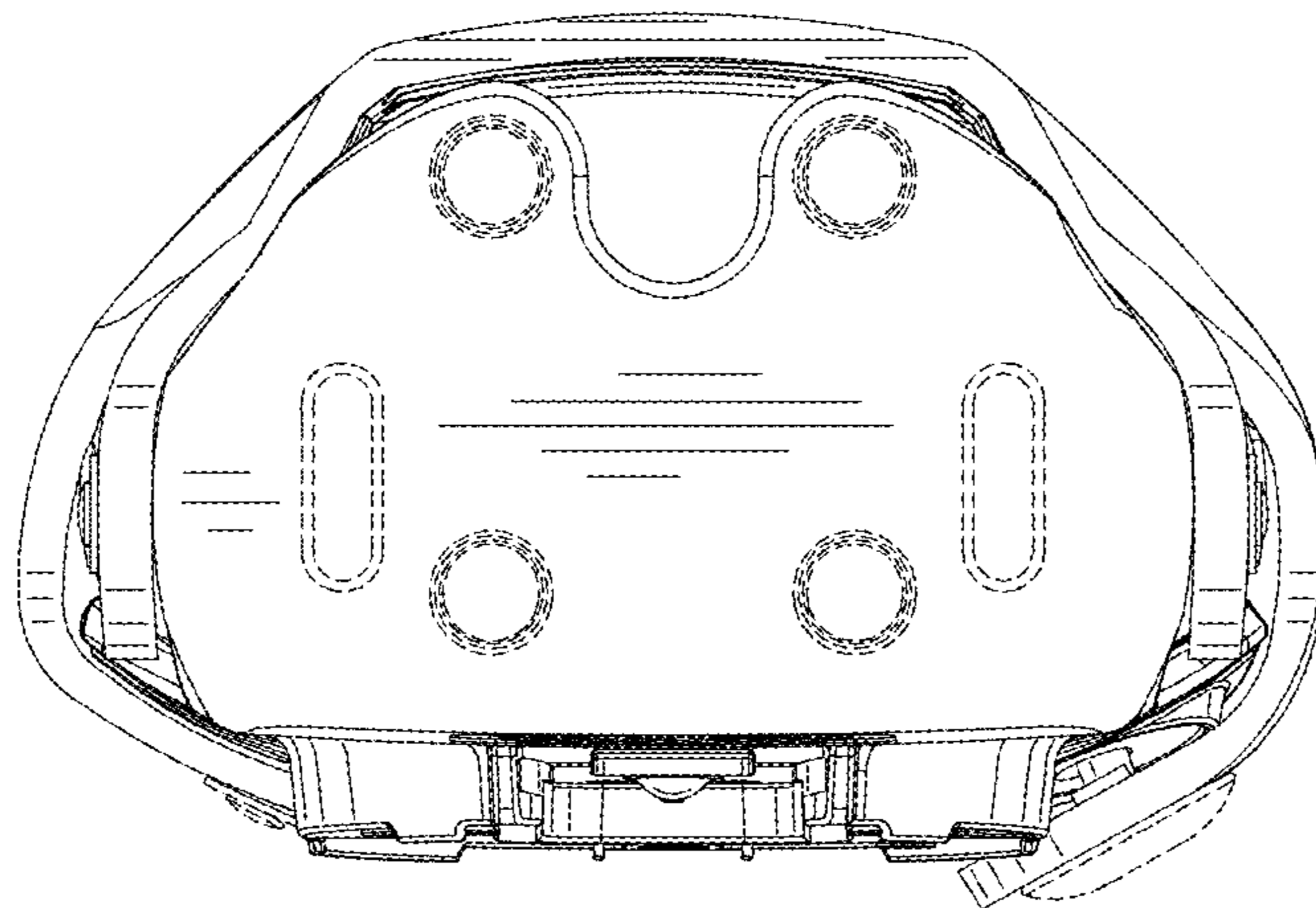


FIG. 19

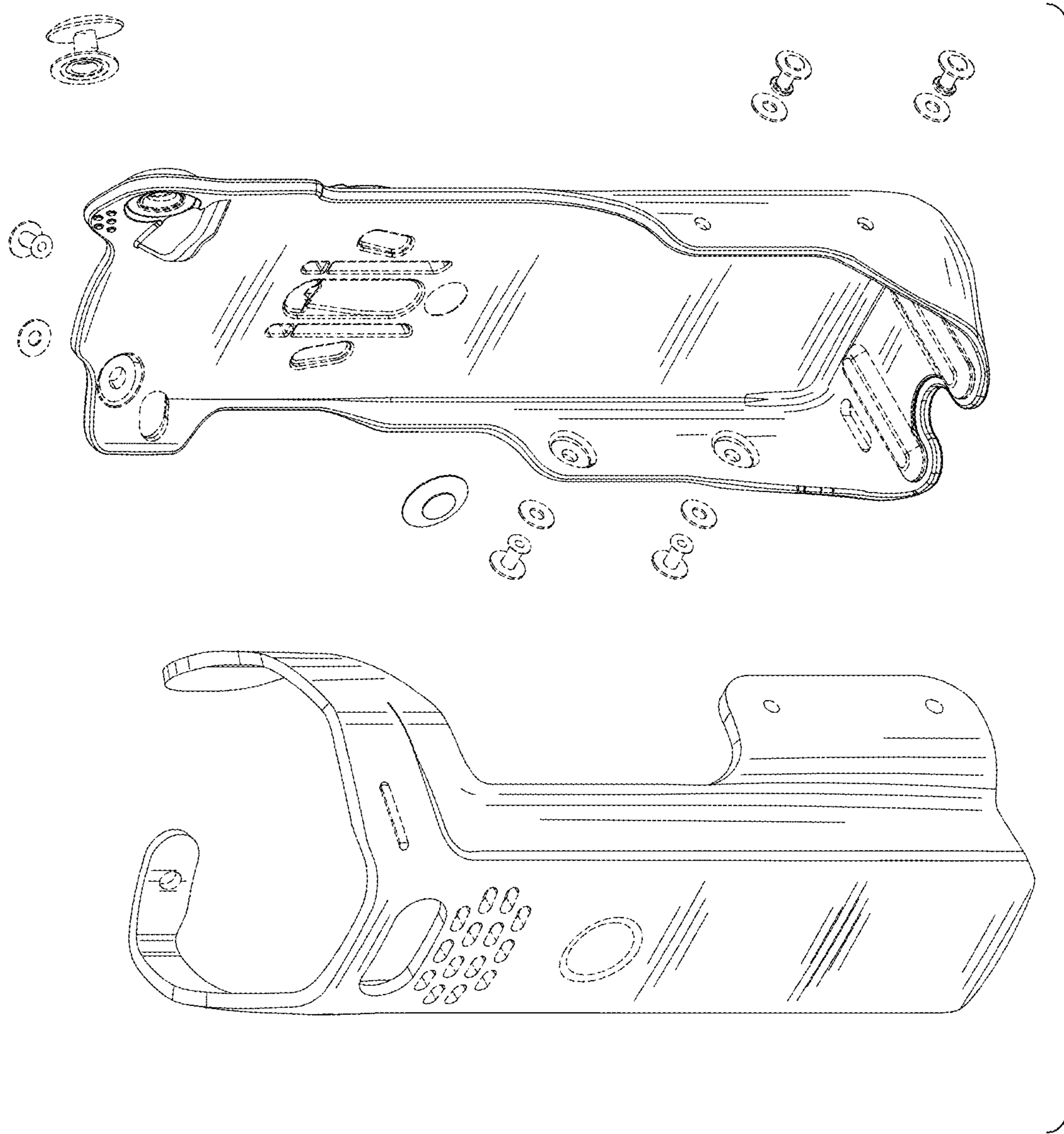


FIG. 20

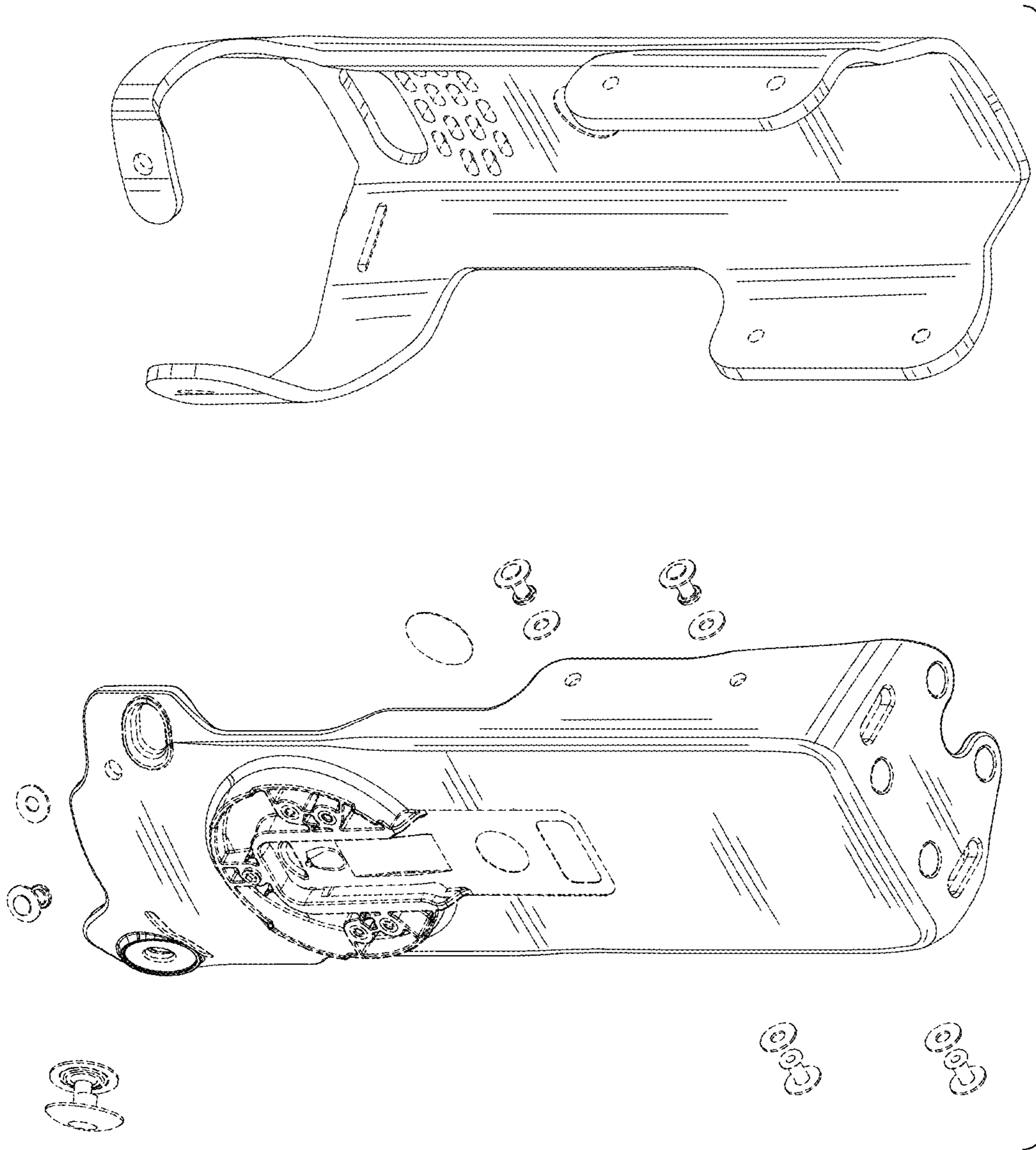


FIG. 21

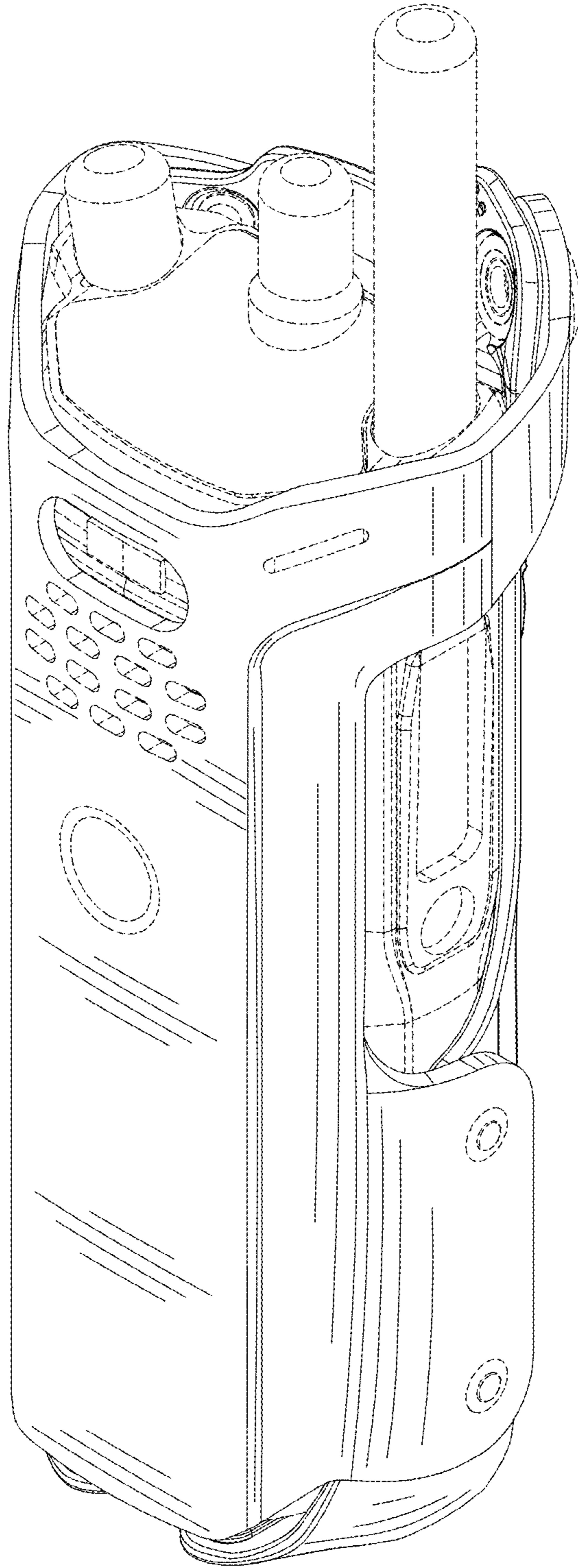


FIG. 22