



US00D904756S

(12) **United States Design Patent** (10) **Patent No.:** **US D904,756 S**  
**Lu** (45) **Date of Patent:** **\*\* Dec. 15, 2020**

(54) **HYDRATION BACKPACK**

(71) Applicant: **Shenzhen ShangYa Information Technology Co., Ltd.**, Guangdong (CN)

(72) Inventor: **Jingang Lu**, Shenzhen (CN)

(73) Assignee: **Shenzhen ShangYa Information Technology Co., Ltd.**

(\*\*) Term: **15 Years**

(21) Appl. No.: **29/664,668**

(22) Filed: **Sep. 27, 2018**

(51) **LOC (12) Cl.** ..... **03-01**

(52) **U.S. Cl.**  
USPC ..... **D3/217**

(58) **Field of Classification Search**  
USPC ..... D3/201, 216, 217, 254, 272, 279, 294  
CPC ..... A45F 3/04; A45F 4/02; A45F 2003/045;  
A45F 2003/125; A45F 3/02; A45F  
2003/127; A45F 3/047; A45F 3/12; A45F  
2003/001

See application file for complete search history.

(56) **References Cited**

**U.S. PATENT DOCUMENTS**

D411,658 S \* 6/1999 Stump ..... D3/216  
6,837,026 B2 \* 1/2005 Setton ..... A45F 3/20  
222/175

D587,007 S \* 2/2009 Phillips, III ..... D3/216  
D613,497 S \* 4/2010 Pho ..... D3/216  
D614,400 S \* 4/2010 Simonian ..... D2/839  
D622,500 S \* 8/2010 Pho ..... D3/216  
D717,205 S \* 11/2014 Kosh ..... D11/201  
2012/0037675 A1 \* 2/2012 Shepherd ..... A45C 3/00  
224/259

\* cited by examiner

*Primary Examiner* — Jennifer L Watkins

(74) *Attorney, Agent, or Firm* — Timothy T. Wang; Ni, Wang & Massand, PLLC

(57) **CLAIM**

The ornamental design for a hydration backpack, as shown and described.

**DESCRIPTION**

FIG. 1 is a front perspective view of a hydration backpack showing my new design;  
FIG. 2 is a front plan view thereof;  
FIG. 3 is a back plan view thereof;  
FIG. 4 is a left side elevational view thereof;  
FIG. 5 is a top plan view thereof;  
FIG. 6 is a bottom plan view thereof; and,  
FIG. 7 is a right side elevational view thereof.  
The broken lines showing of elements on the hydration backpack illustrate stitching and form no part of the claimed design.

**1 Claim, 7 Drawing Sheets**

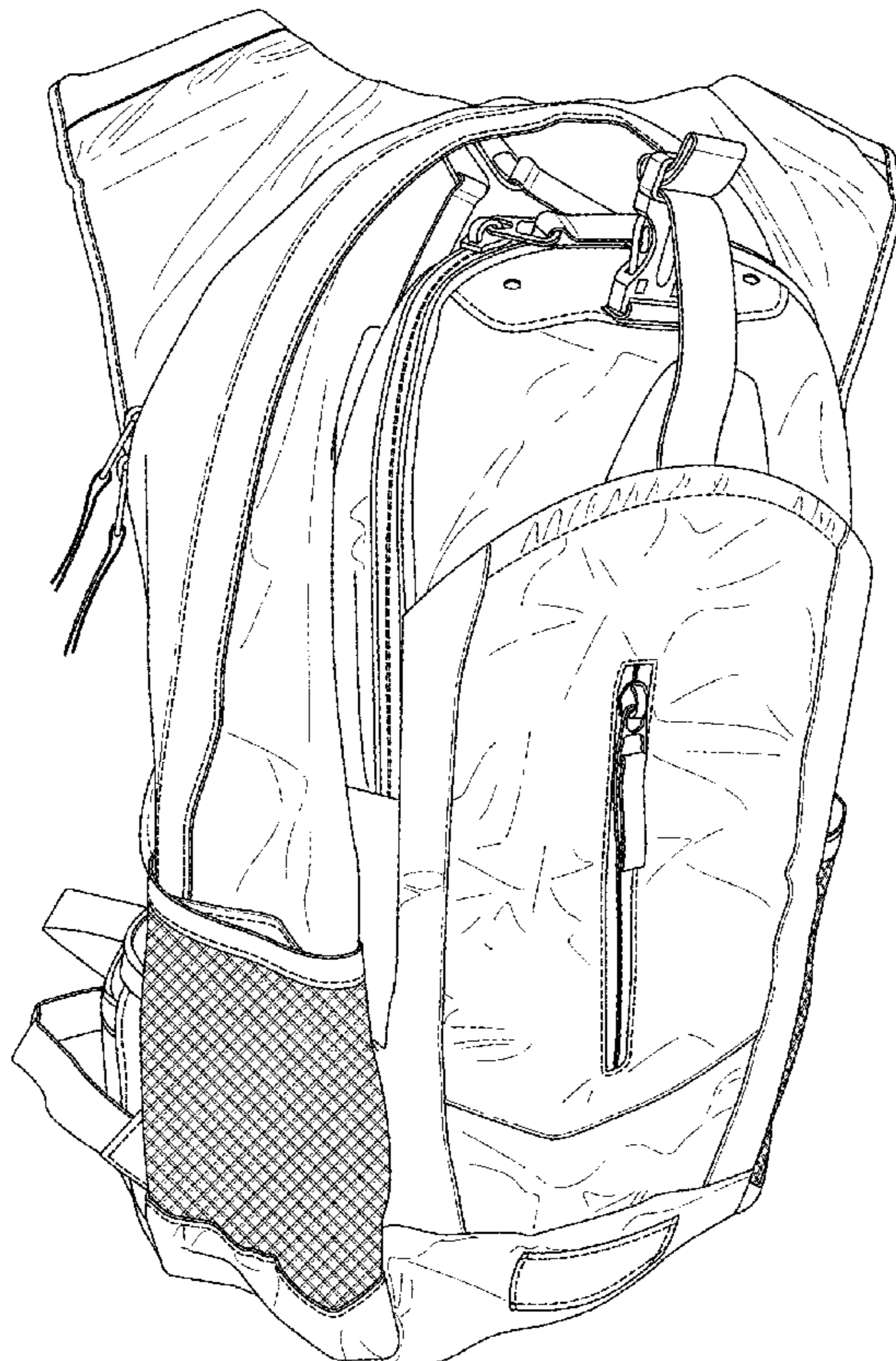




FIG. 1

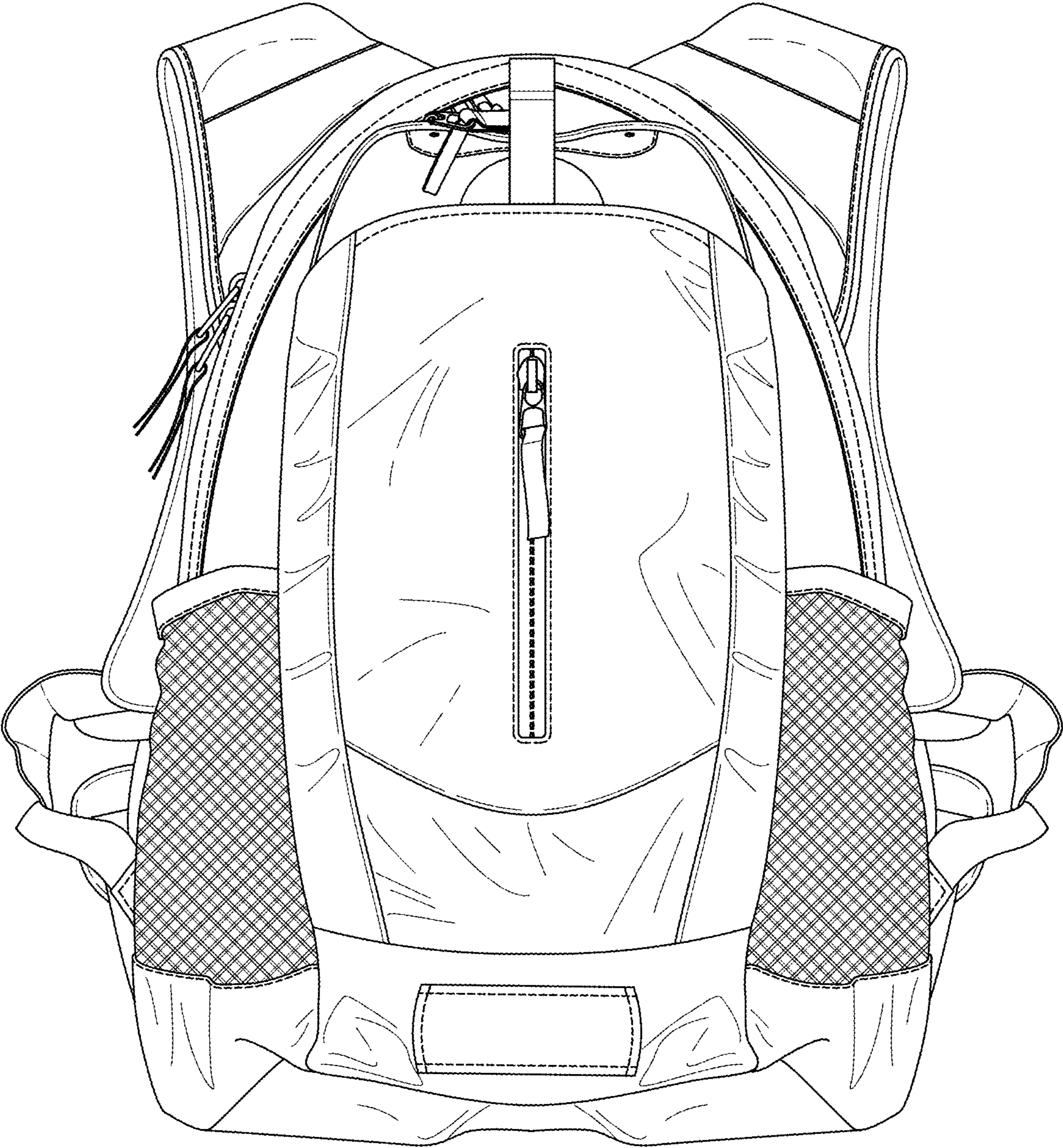


FIG. 2

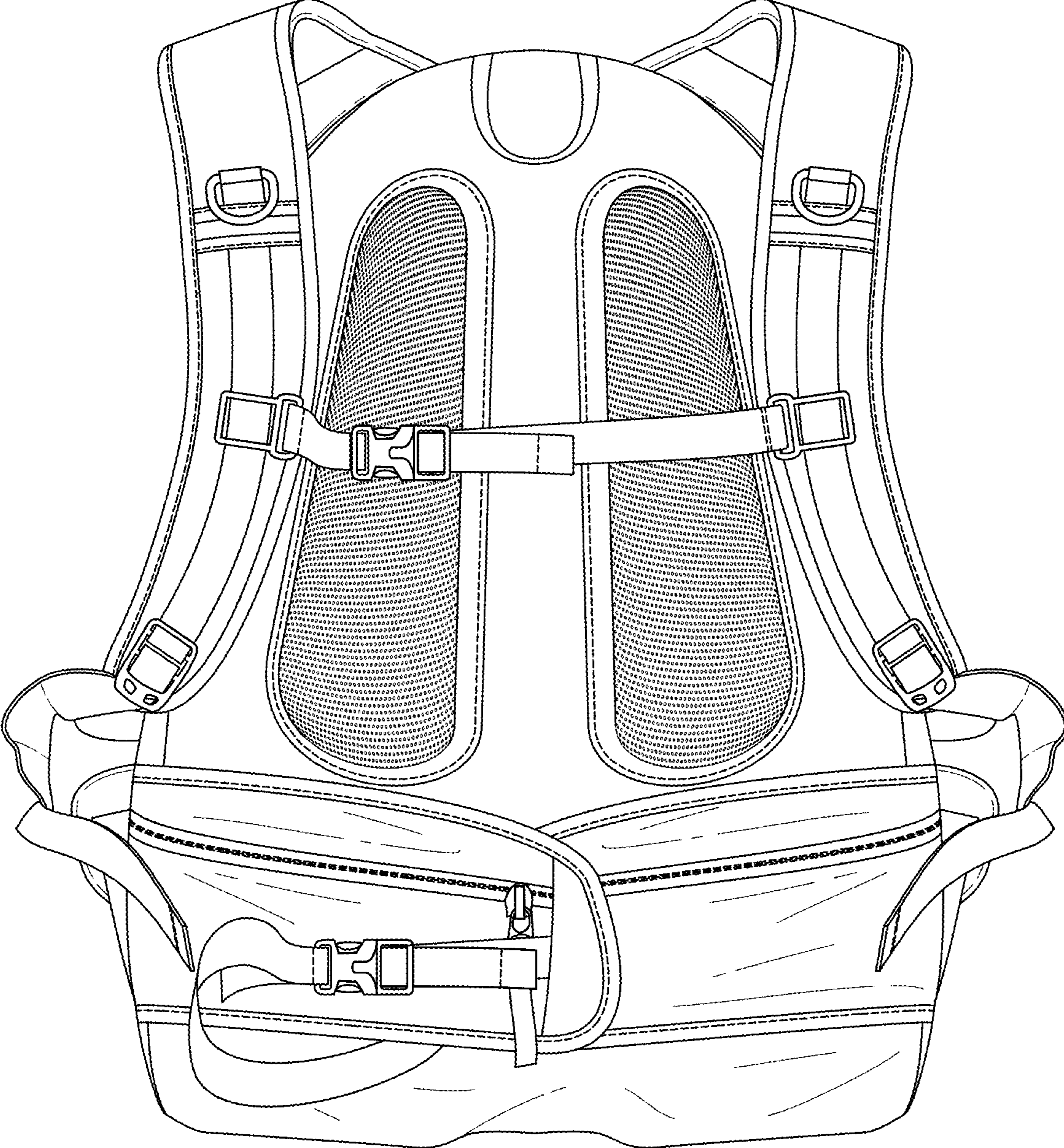


FIG. 3

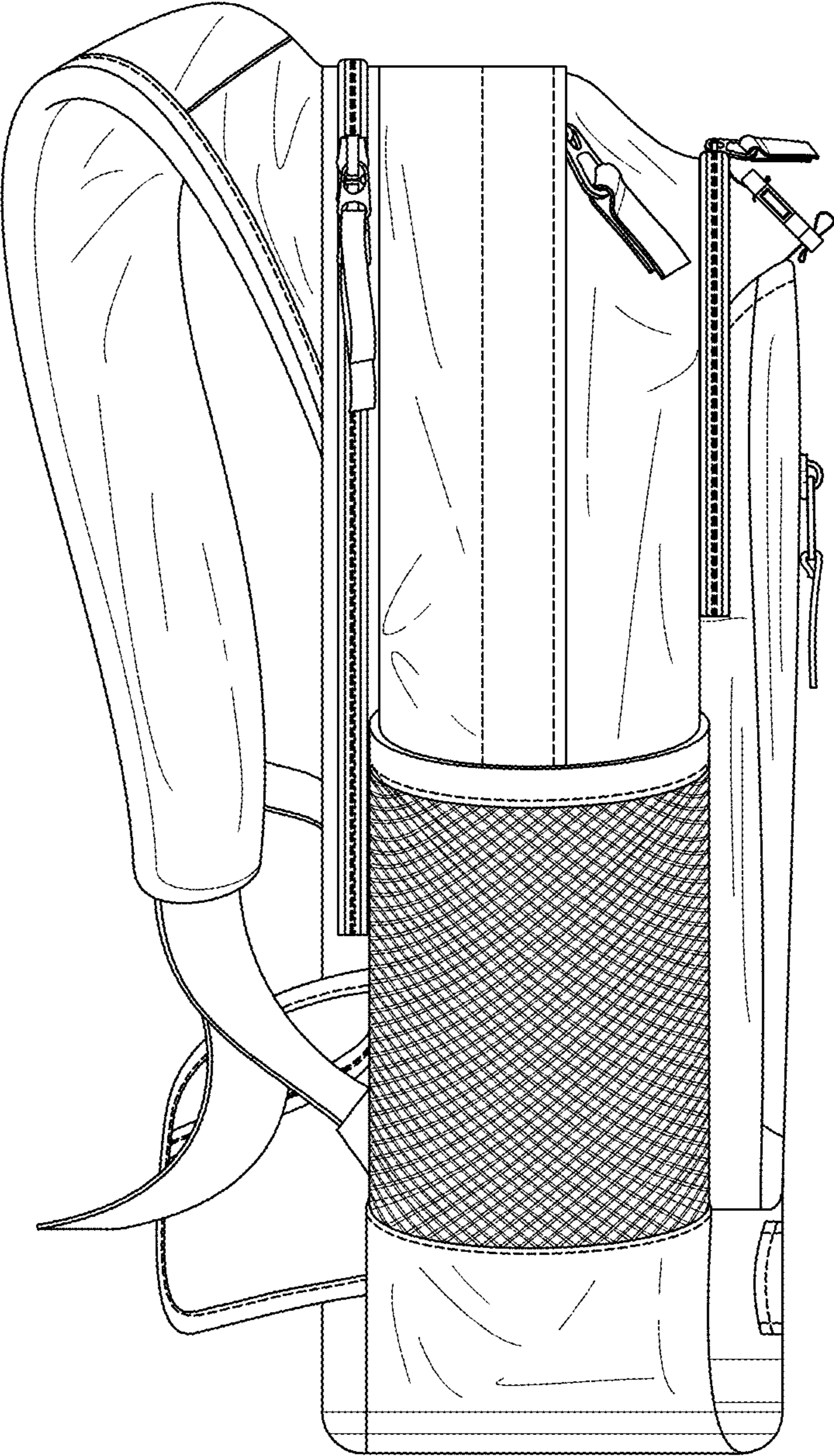


FIG. 4

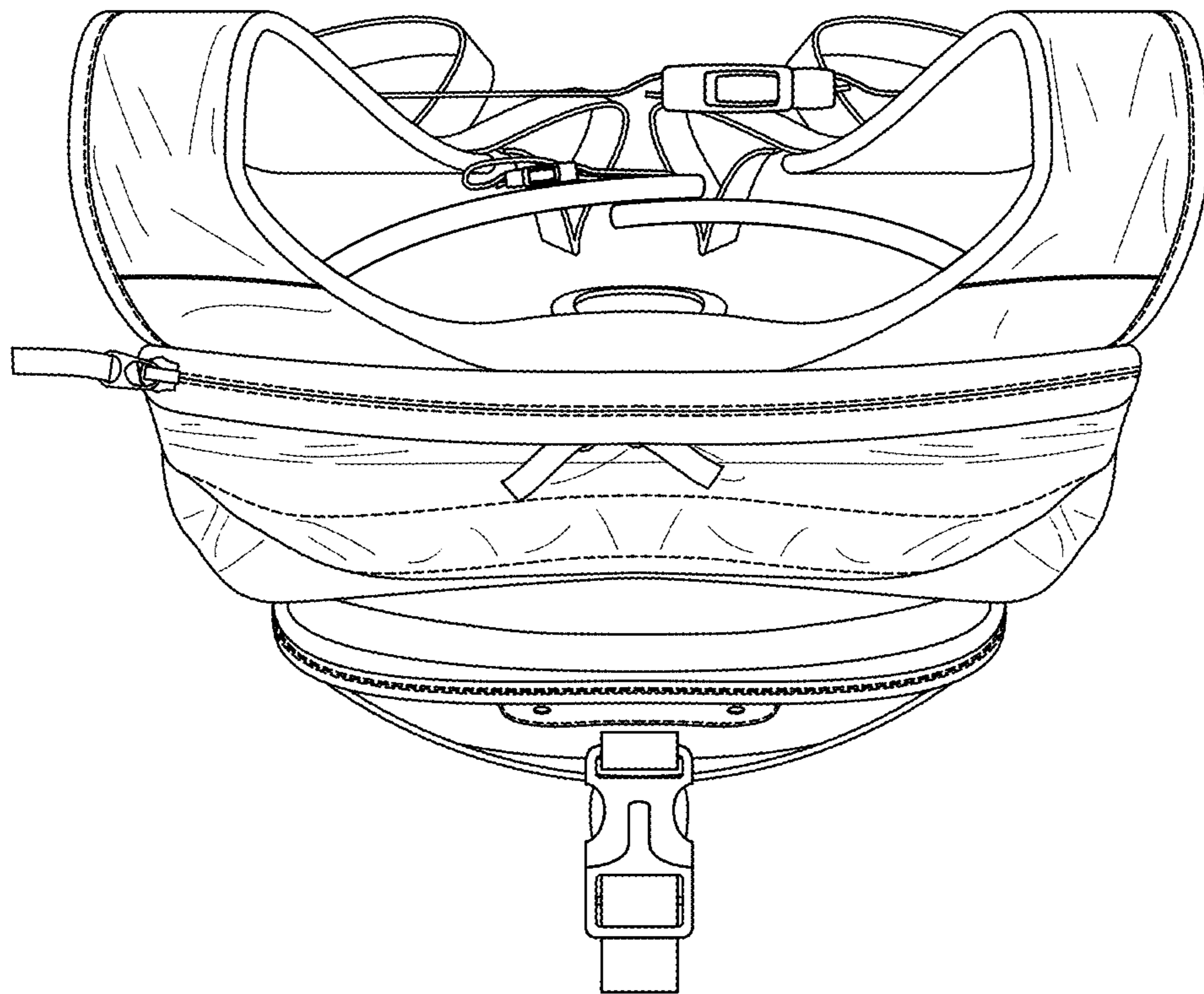


FIG. 5

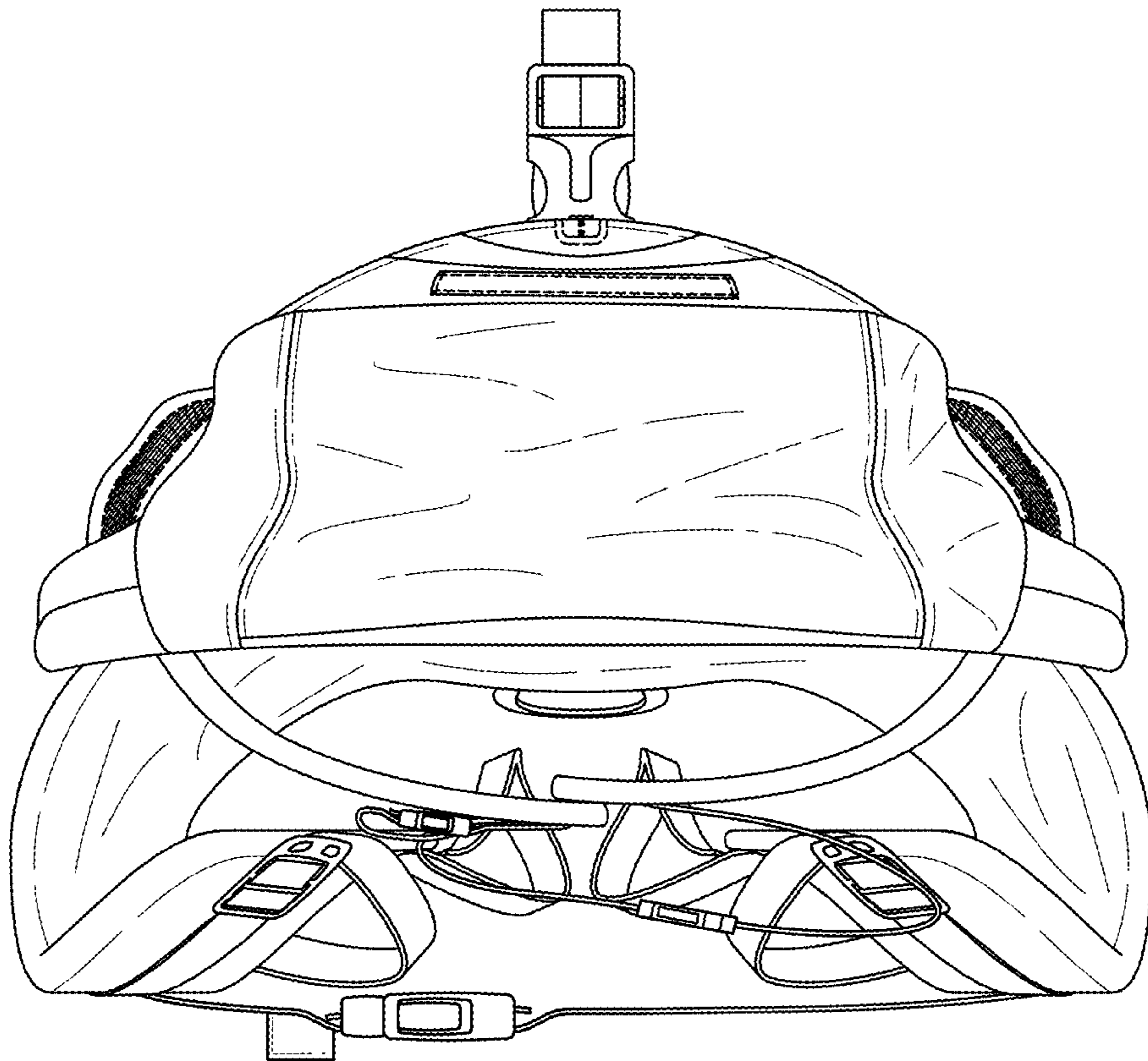


FIG. 6

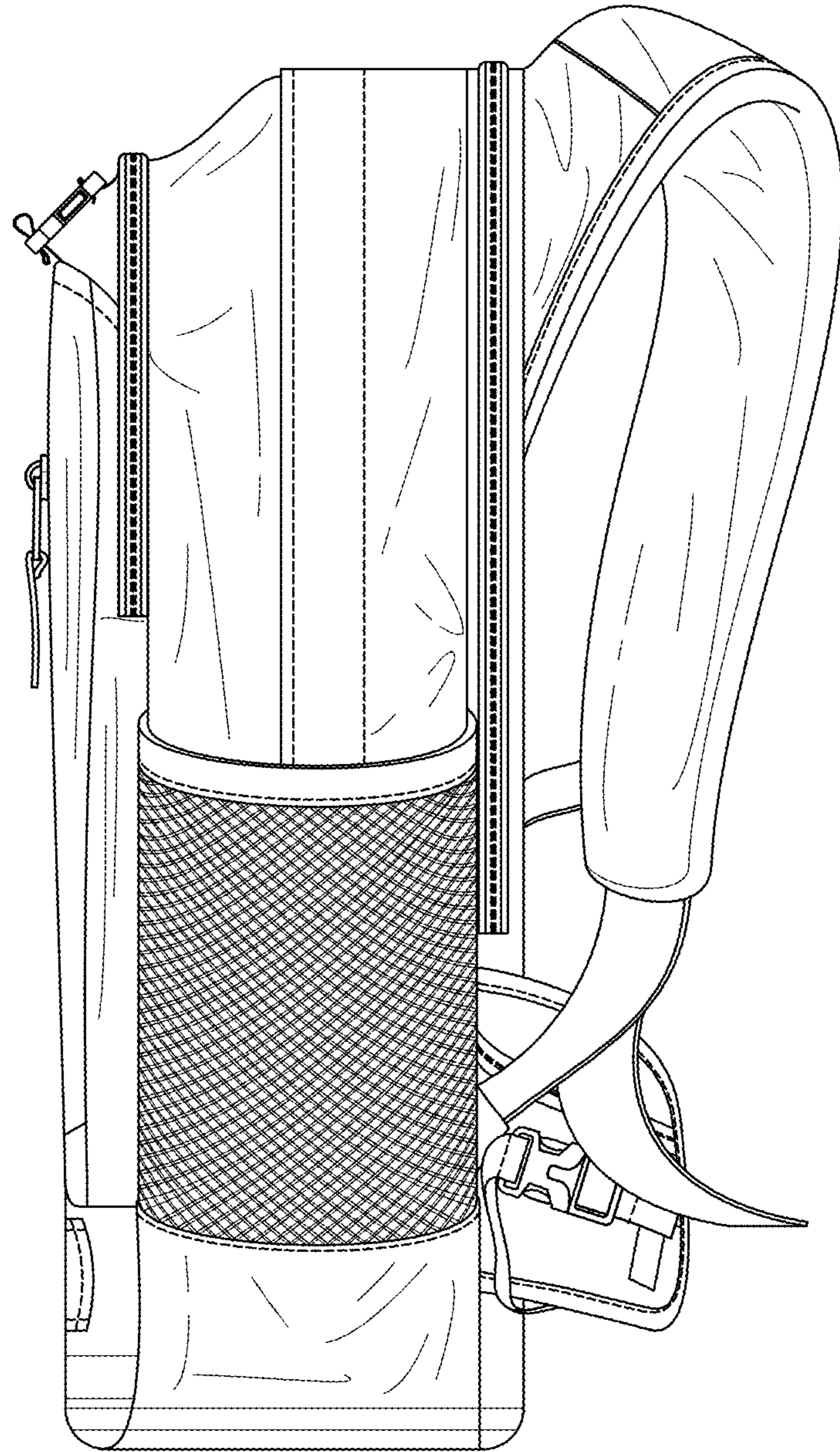


FIG. 7