



US00D904754S

(12) **United States Design Patent**  
**Papenfuss**

(10) **Patent No.:** **US D904,754 S**

(45) **Date of Patent:** **\*\* Dec. 15, 2020**

(54) **POMPON MAKER**

(71) Applicant: **William Prym GmbH & Co. KG,**  
Stolberg (DE)

(72) Inventor: **Andreas Papenfuss,** Weimar (DE)

(73) Assignee: **William Prym GmbH & Co. KG,**  
Stolberg (DE)

(\*\*) Term: **15 Years**

(21) Appl. No.: **29/692,466**

(22) Filed: **May 24, 2019**

(30) **Foreign Application Priority Data**

Nov. 30, 2018 (EM) ..... 005839685-0001

(51) **LOC (12) Cl.** ..... **03-01**

(52) **U.S. Cl.**  
USPC ..... **D3/18**

(58) **Field of Classification Search**  
USPC ..... D3/18, 20, 23, 26; D8/354, 360, 394,  
D8/396

CPC ..... D04D 7/00; D04D 7/06; D04D 7/10  
See application file for complete search history.

(56) **References Cited**

**U.S. PATENT DOCUMENTS**

663,540	A *	12/1900	Hansen et al. ....	B65D 33/1675	24/30.5 R
2,695,447	A	11/1954	Todd		
3,110,077	A	11/1963	Spear		
3,287,785	A	11/1966	Cirolì		
3,413,699	A	12/1968	Millay		
D275,151	S *	8/1984	Okada .....	D3/26	
D310,471	S *	9/1990	Kuykendall .....	D8/395	
D323,975	S *	2/1992	Wise .....	D8/396	
5,144,749	A	9/1992	Chen		

D364,732	S *	12/1995	Hyché .....	D3/26
D383,050	S *	9/1997	Palmer .....	D8/354
5,765,289	A	6/1998	Cornell	
6,282,794	B1	9/2001	Cho	
6,438,850	B2	8/2002	Young	
6,655,559	B2 *	12/2003	Lopata .....	D04D 9/06
				223/46
7,073,263	B2	7/2006	Kawasaki	
7,299,716	B2 *	11/2007	Nakajima .....	F16C 7/023
				384/294
D614,858	S *	5/2010	Ranzau .....	D3/26
D615,291	S *	5/2010	Ranzau .....	D3/26

(Continued)

**FOREIGN PATENT DOCUMENTS**

DE	20021142	U1	3/2001
EP	0201839	A2	11/1986

*Primary Examiner* — Steven J Czyz

(74) *Attorney, Agent, or Firm* — Oppedahl Patent Law Firm LLC

(57) **CLAIM**

The ornamental design for a pompon maker, as shown and described.

**DESCRIPTION**

FIG. 1 is a perspective view of the new design for a pompon maker.

FIG. 2 is a back view of the new design for a pompon maker.

FIG. 3 is a top view of the new design for a pompon maker.

FIG. 4 is a left side view of the new design for a pompon maker.

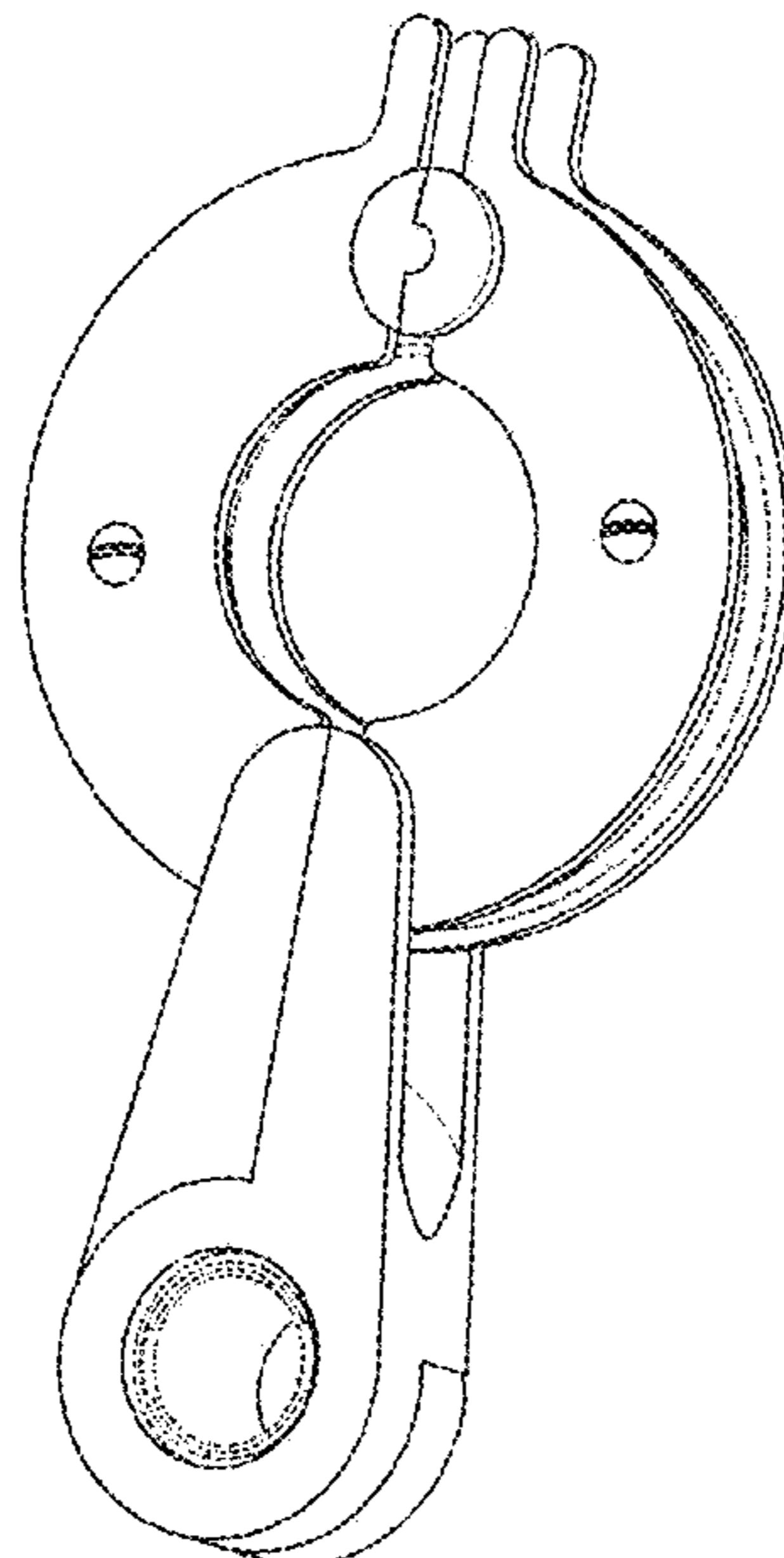
FIG. 5 is a front view of the new design for a pompon maker.

FIG. 6 is a right side view of the new design for a pompon maker; and,

FIG. 7 is a bottom view of the new design for a pompon maker.

The material shown in broken lines is unclaimed.

**1 Claim, 2 Drawing Sheets**



(56)

References Cited

U.S. PATENT DOCUMENTS

D615,746	S *	5/2010	Ranzau	.....	D3/26
D643,441	S *	8/2011	Knobloch	.....	D15/5
D648,892	S *	11/2011	Cordova	.....	D27/183
8,046,922	B2	11/2011	Alling		
8,316,517	B2 *	11/2012	Fujiwara	.....	D04D 7/10 223/46
D708,507	S *	7/2014	Fretz	.....	D8/360
8,935,852	B2 *	1/2015	Donaldson	.....	B22F 5/008 29/888.09
9,278,459	B2	3/2016	Block		
9,403,223	B2 *	8/2016	Prieto	.....	B23D 31/003
9,599,148	B2 *	3/2017	Domanchuk	.....	F16J 1/16
D783,392	S *	4/2017	Dew	.....	D8/396
9,638,242	B2 *	5/2017	Andersen	.....	B41M 5/24
D801,151	S *	10/2017	DiBlasi	.....	D8/354
D826,178	S *	8/2018	Ridl	.....	D13/154
D826,544	S *	8/2018	Yip	.....	D3/18
D827,653	S *	9/2018	Dillon	.....	D14/451
D876,528	S *	2/2020	Sequeira de Sousa	.....	D16/242
2005/0145060	A1 *	7/2005	Weaver	.....	F01M 11/02 74/593
2008/0282838	A1 *	11/2008	Weaver	.....	F16C 33/10 74/579 E
2010/0260631	A1 *	10/2010	Kugelev	.....	F04B 53/144 417/437
2010/0300397	A1 *	12/2010	Lapp	.....	F16C 9/04 123/197.3
2010/0319650	A1 *	12/2010	Clozza	.....	C22C 33/0264 123/197.3
2013/0283622	A1	10/2013	Eto		
2015/0053169	A1 *	2/2015	Galli	.....	F16C 7/023 123/197.3

\* cited by examiner

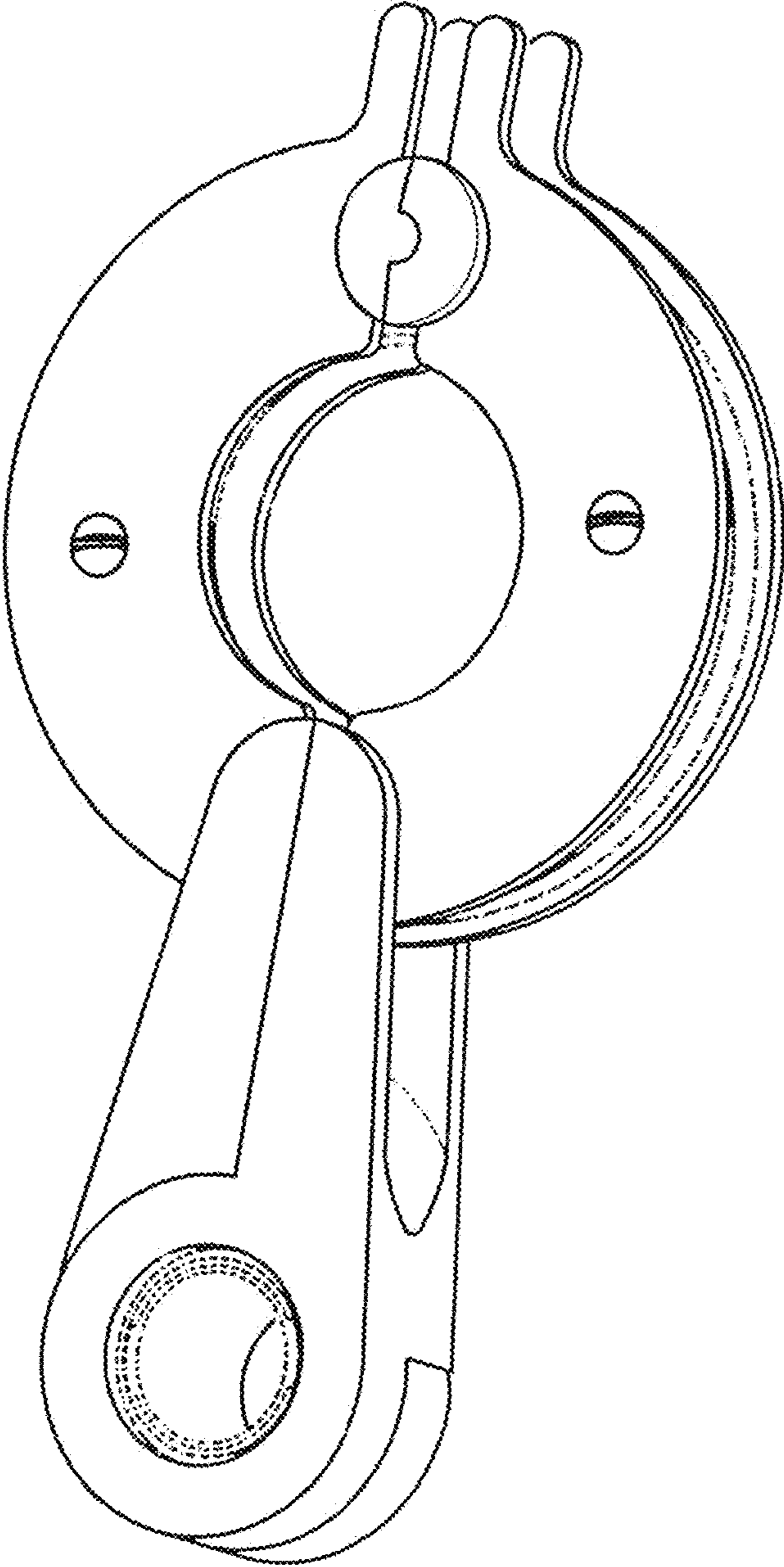


Fig. 1

Fig. 2

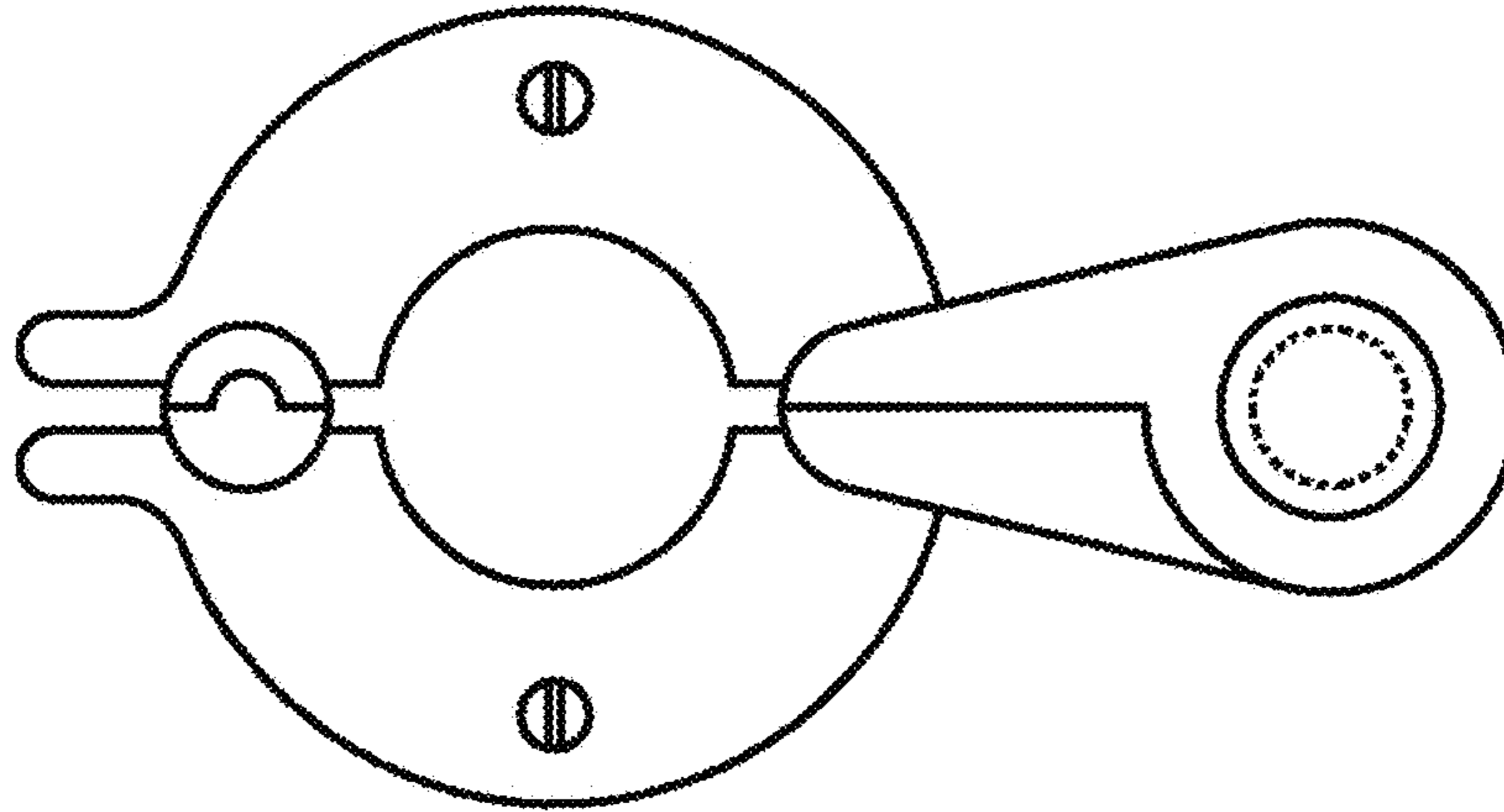


Fig. 3

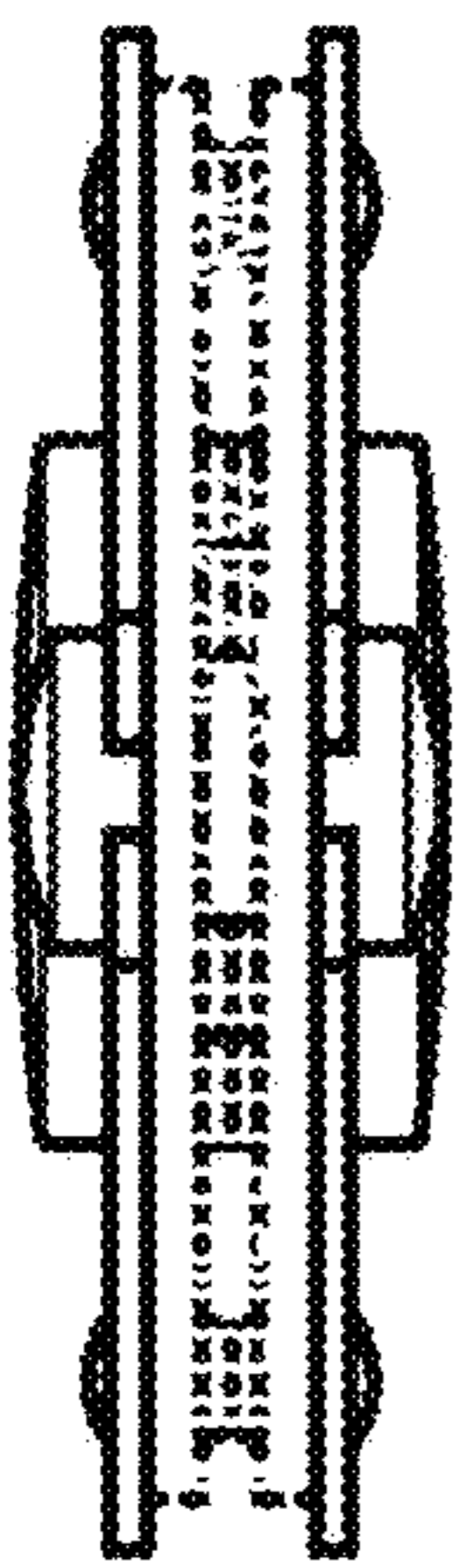
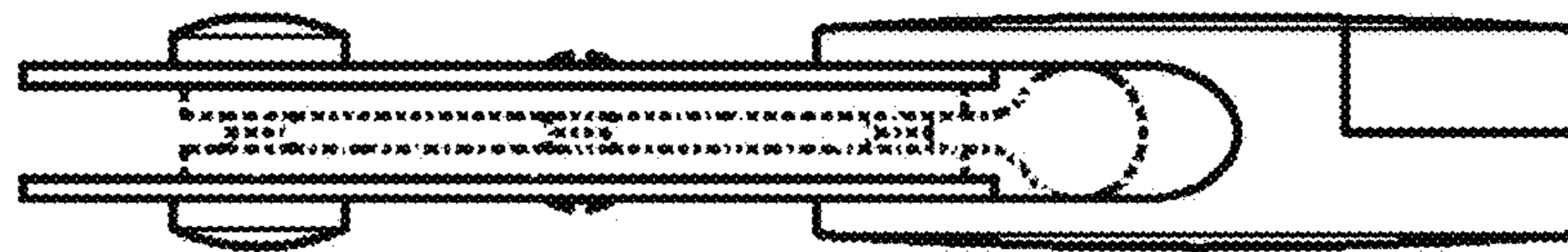


Fig. 4

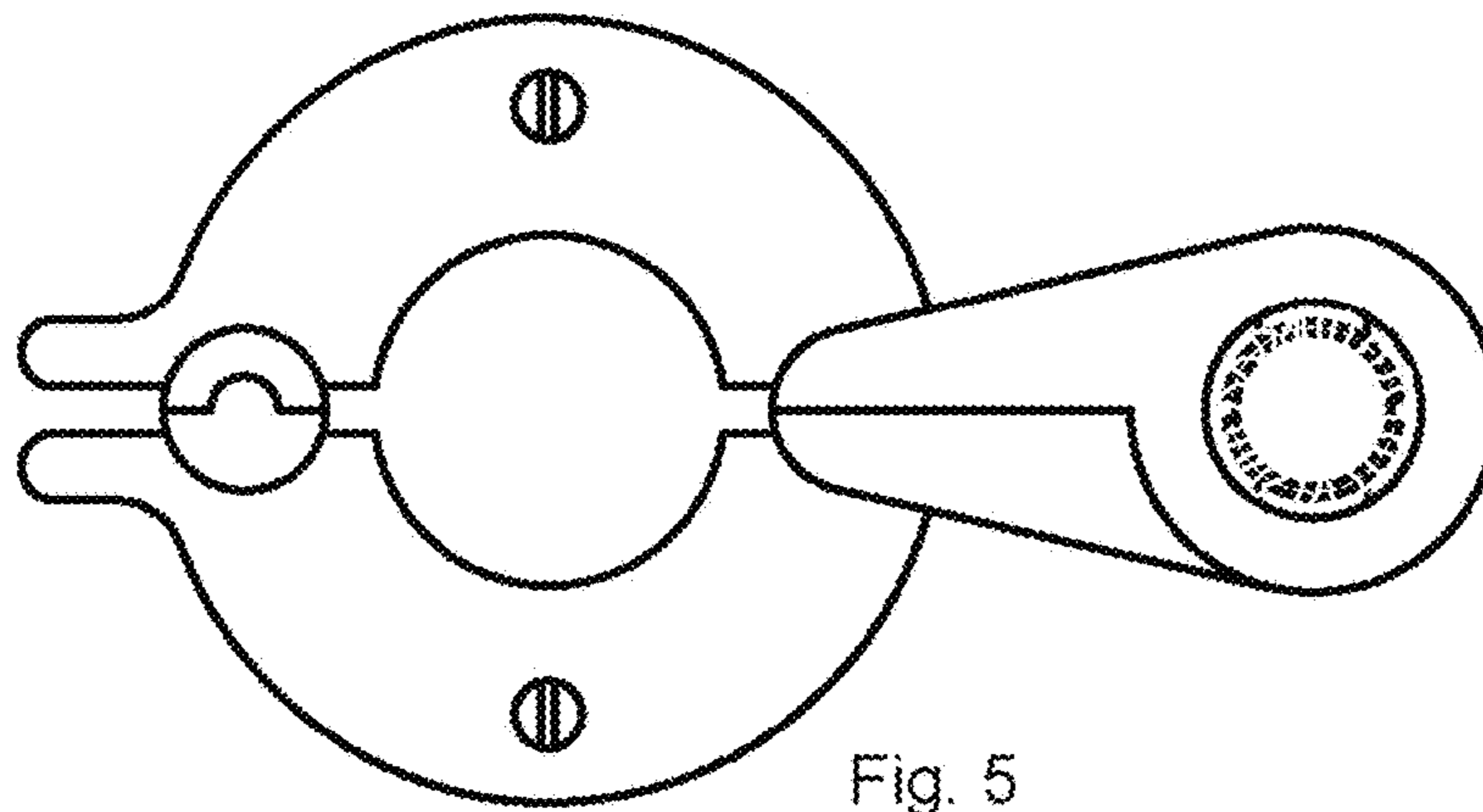


Fig. 5



Fig. 6

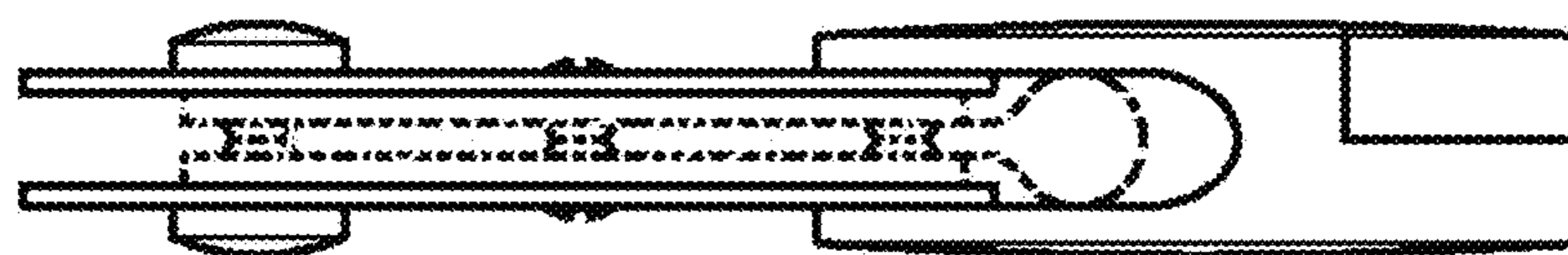


Fig. 7