



US00D904746S

(12) **United States Design Patent** (10) **Patent No.:** **US D904,746 S**  
**Webb** (45) **Date of Patent:** **\*\* Dec. 15, 2020**

- (54) **STRAP FOR AN ARTICLE OF FOOTWEAR**
- (71) Applicant: **New Balance Athletics, Inc.**, Boston, MA (US)
- (72) Inventor: **Hilary Webb**, Salem, MA (US)
- (73) Assignee: **New Balance Athletics, Inc.**, Boston, MA (US)
- (\*\*) Term: **15 Years**
- (21) Appl. No.: **29/682,434**
- (22) Filed: **Mar. 5, 2019**
- (51) **LOC (12) Cl.** ..... **02-04**
- (52) **U.S. Cl.**  
USPC ..... **D2/972**
- (58) **Field of Classification Search**  
USPC ..... D2/896-900, 907, 909, 923-925, 969, D2/972-974  
CPC .... A43B 5/00; A43B 3/14; A43B 3/16; A43B 3/101  
See application file for complete search history.

- 6,237,249 B1 5/2001 Aguerre
- D473,040 S 4/2003 Hawker et al.
- D529,263 S 10/2006 Wolf
- 7,222,442 B2 5/2007 Hillyer et al.
- 7,331,122 B2 2/2008 Januszewski et al.
- D567,482 S 4/2008 Hoyt
- (Continued)

**FOREIGN PATENT DOCUMENTS**

- CN 2032402 U 2/1989
- CN 2143902 Y 10/1993
- (Continued)

*Primary Examiner* — Rashida C. Walshon  
(74) *Attorney, Agent, or Firm* — Goodwin Procter LLP

(57) **CLAIM**

The ornamental design for a strap for an article of footwear, as shown and described.

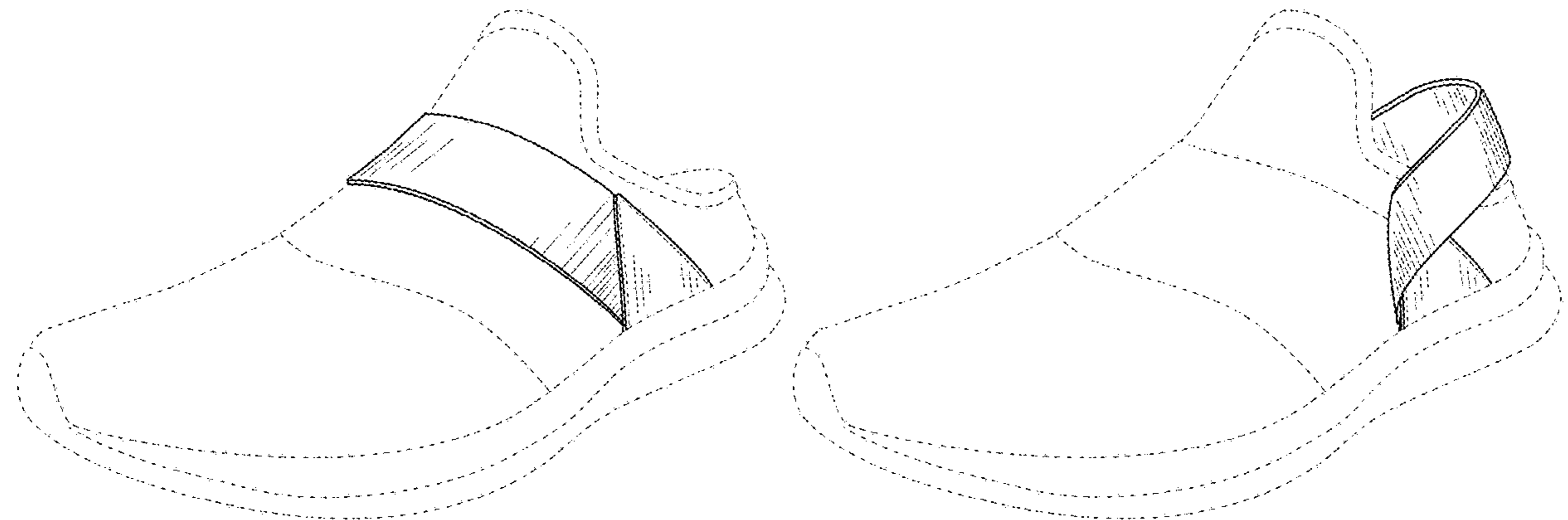
**DESCRIPTION**

FIG. 1 is a top perspective lateral side view of a first embodiment of a strap for an article of footwear;  
 FIG. 2 is a medial side view thereof;  
 FIG. 3 is a top view thereof;  
 FIG. 4 is a lateral side view thereof;  
 FIG. 5 is a front view thereof;  
 FIG. 6 is a rear view thereof;  
 FIG. 7 is a bottom view thereof;  
 FIG. 8 is a top perspective lateral side view of a second embodiment of a strap for an article of footwear;  
 FIG. 9 is a medial side view thereof;  
 FIG. 10 is a top view thereof;  
 FIG. 11 is a lateral side view thereof;  
 FIG. 12 is a front view thereof;  
 FIG. 13 is a rear view thereof; and,  
 FIG. 14 is a bottom view thereof.

The broken lines illustrate portions of the article of footwear that form no part of the claimed design.

**1 Claim, 14 Drawing Sheets**

- (56) **References Cited**
- U.S. PATENT DOCUMENTS**
- 366,266 A 7/1887 Smithers
- 985,954 A 3/1911 Triantafilu
- 1,877,432 A 9/1932 Topoozian
- 1,943,829 A 1/1934 Koomrulan
- 1,944,664 A 1/1934 Maxcy
- 1,989,613 A 1/1935 Green
- 2,112,761 A 3/1938 Buehner
- 2,177,571 A 10/1939 Kirke
- 2,669,036 A 2/1954 Israel
- 3,336,683 A 8/1967 Schellkopf
- 3,867,771 A 2/1975 Levine
- 3,984,925 A 10/1976 Famolare, Jr.
- 4,051,610 A 10/1977 Shigeji
- D321,084 S \* 10/1991 Miller ..... D2/903
- D328,517 S \* 8/1992 Hallenbeck ..... D2/978



(56)

**References Cited**

U.S. PATENT DOCUMENTS

D567,483	S	4/2008	Liow	
D568,597	S *	5/2008	Alfaro .....	D2/972
D578,743	S	10/2008	Liow	
7,439,837	B2	10/2008	McDonald	
D610,784	S	3/2010	Del Biondi	
D613,488	S	4/2010	Meador	
D627,544	S	11/2010	Carol et al.	
7,823,299	B1	11/2010	Brigham	
D630,825	S	1/2011	Strauss	
7,980,004	B2	7/2011	Klavano	
D648,512	S	11/2011	Schlageter et al.	
D781,563	S *	3/2017	Chang .....	D2/972
D794,309	S *	8/2017	Kanata .....	D2/972
D808,631	S *	1/2018	Enayah .....	D2/972
D813,522	S *	3/2018	Cin .....	D2/973
2005/0252036	A1	11/2005	Laska	
2008/0168682	A1	7/2008	Le	
2011/0016751	A1	1/2011	Somerville	
2011/0023335	A1	2/2011	Carol et al.	
2017/0164686	A1 *	6/2017	Nurse .....	A43B 13/12

FOREIGN PATENT DOCUMENTS

CN	2157686	Y	3/1994
CN	2158181	Y	3/1994
CN	201822021	U	5/2011
CN	206729313	U	12/2017
FR	2759550	A1	8/1998
GB	609584	A	10/1948
JP	2011161199	A	8/2011

\* cited by examiner

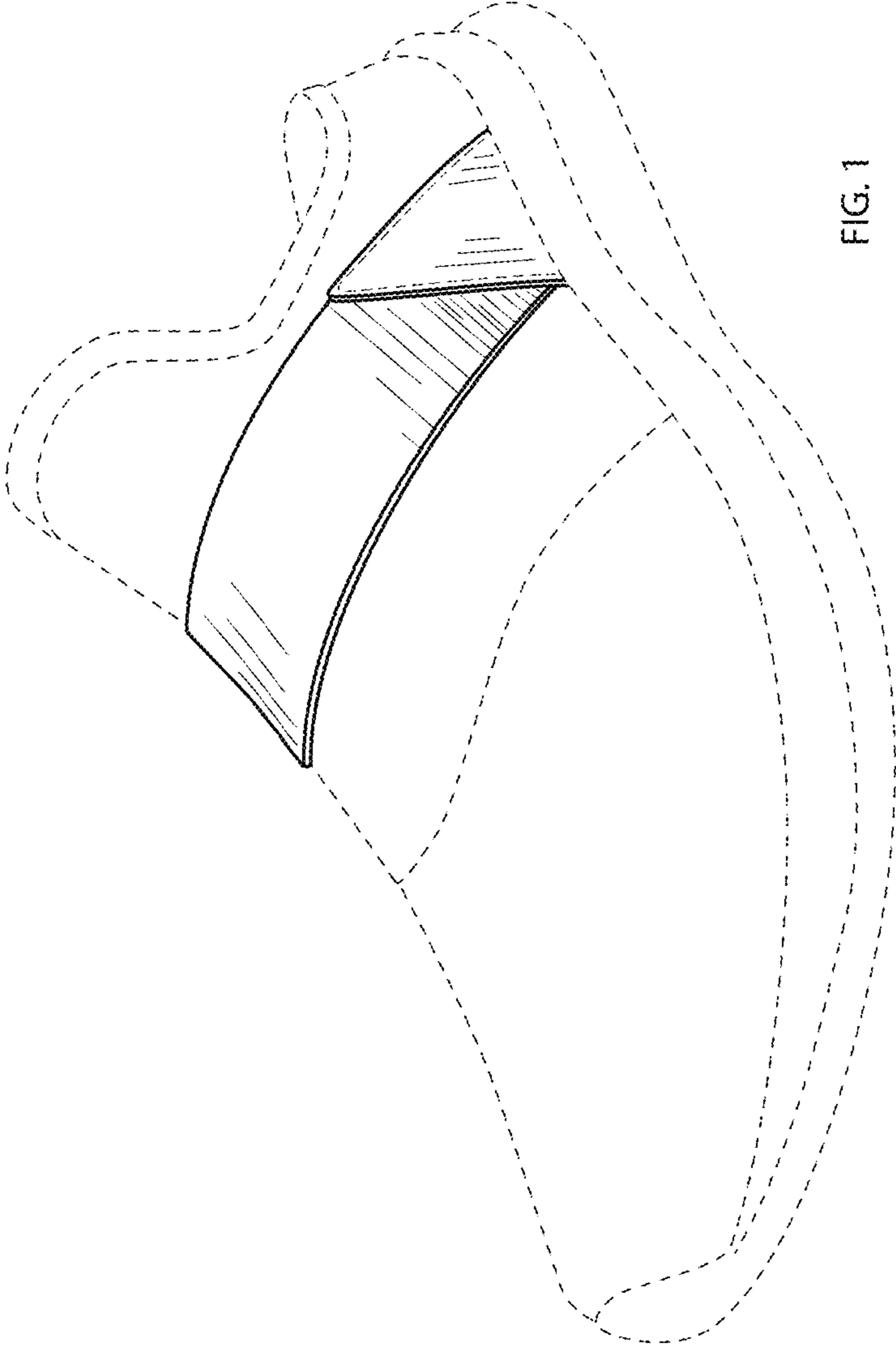


FIG. 1

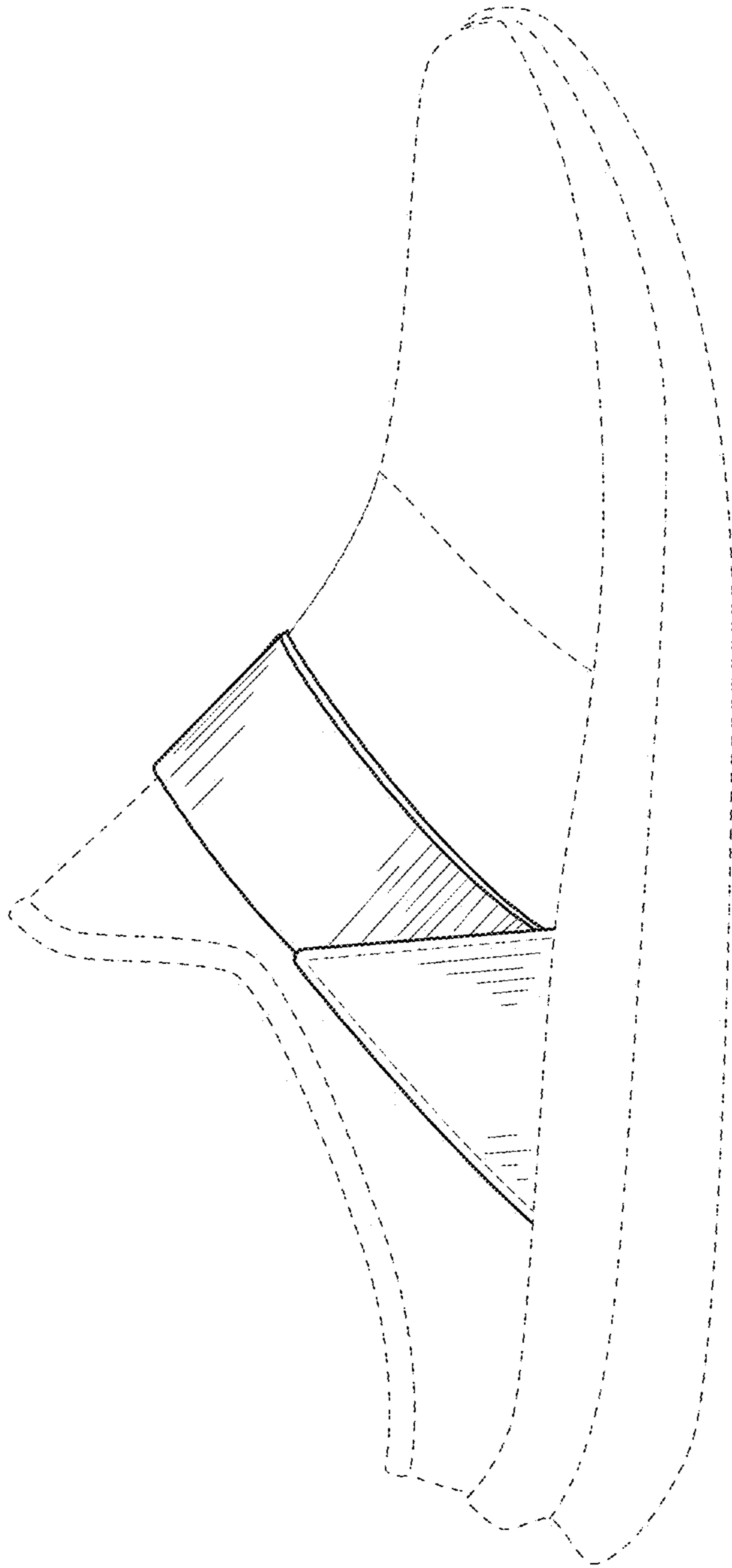


FIG. 2

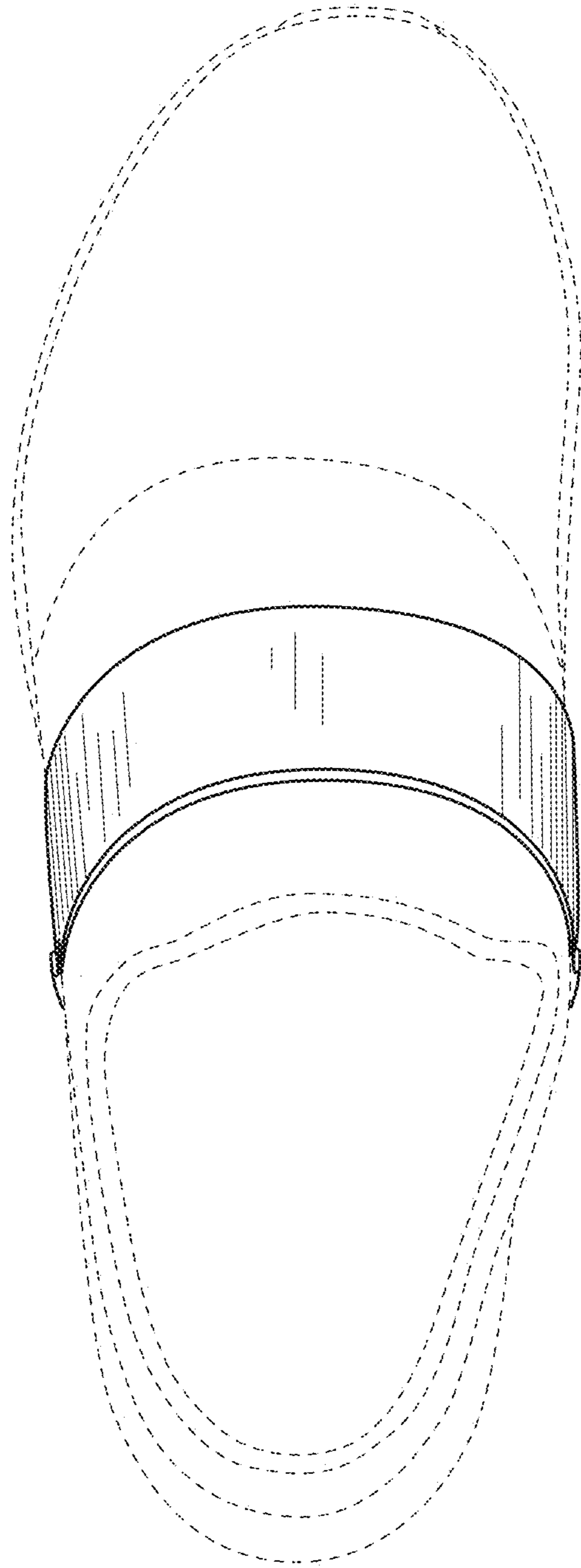


FIG. 3

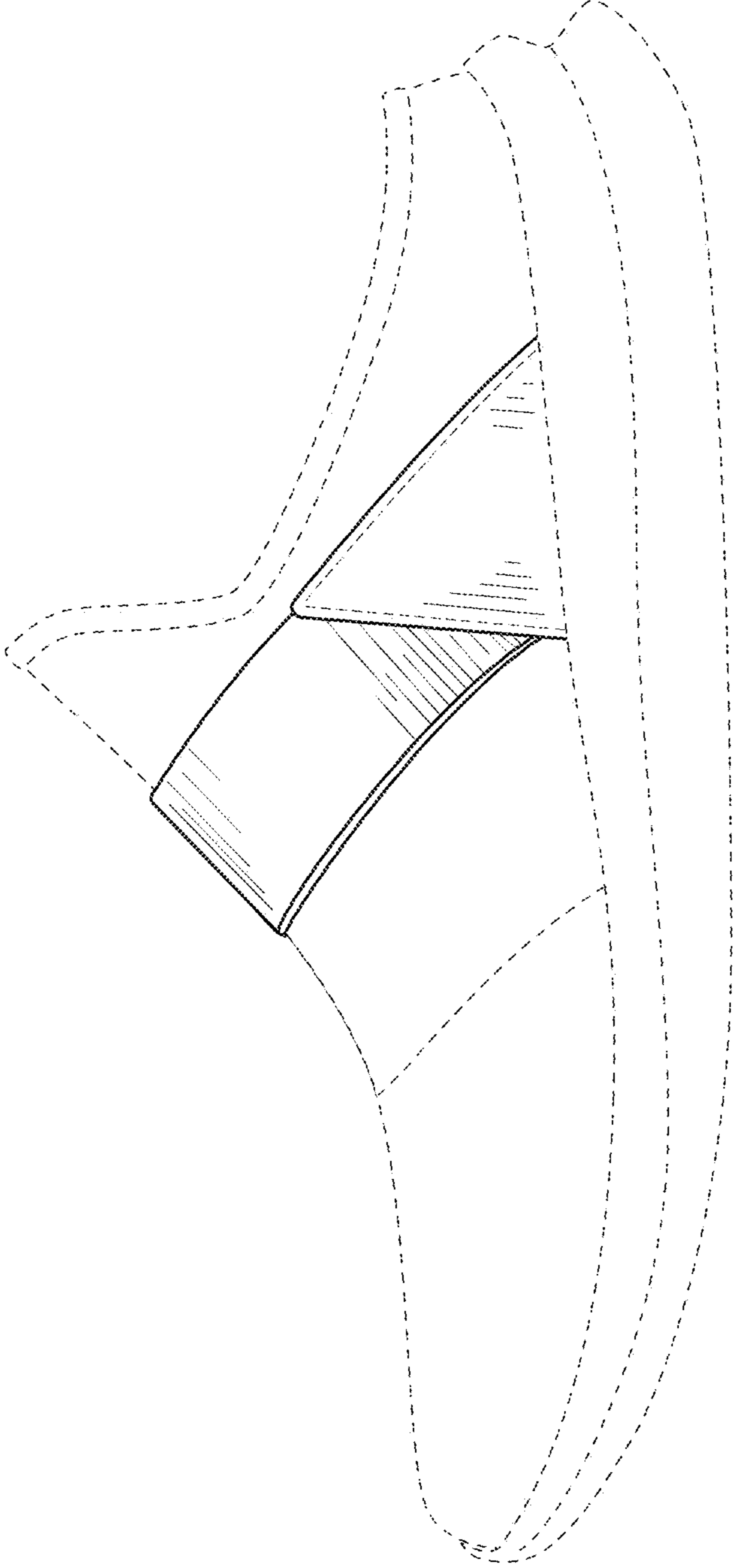


FIG. 4

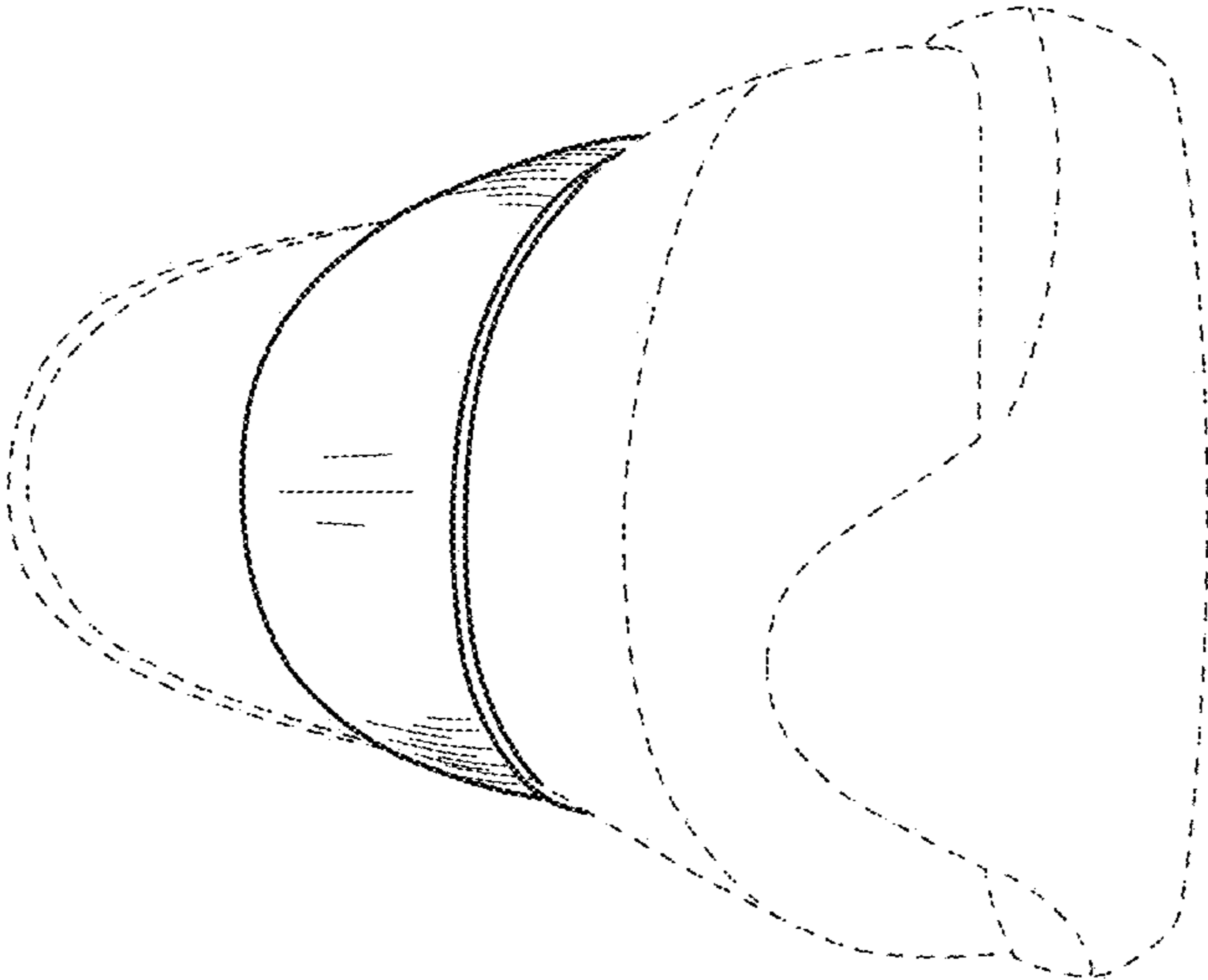


FIG. 5

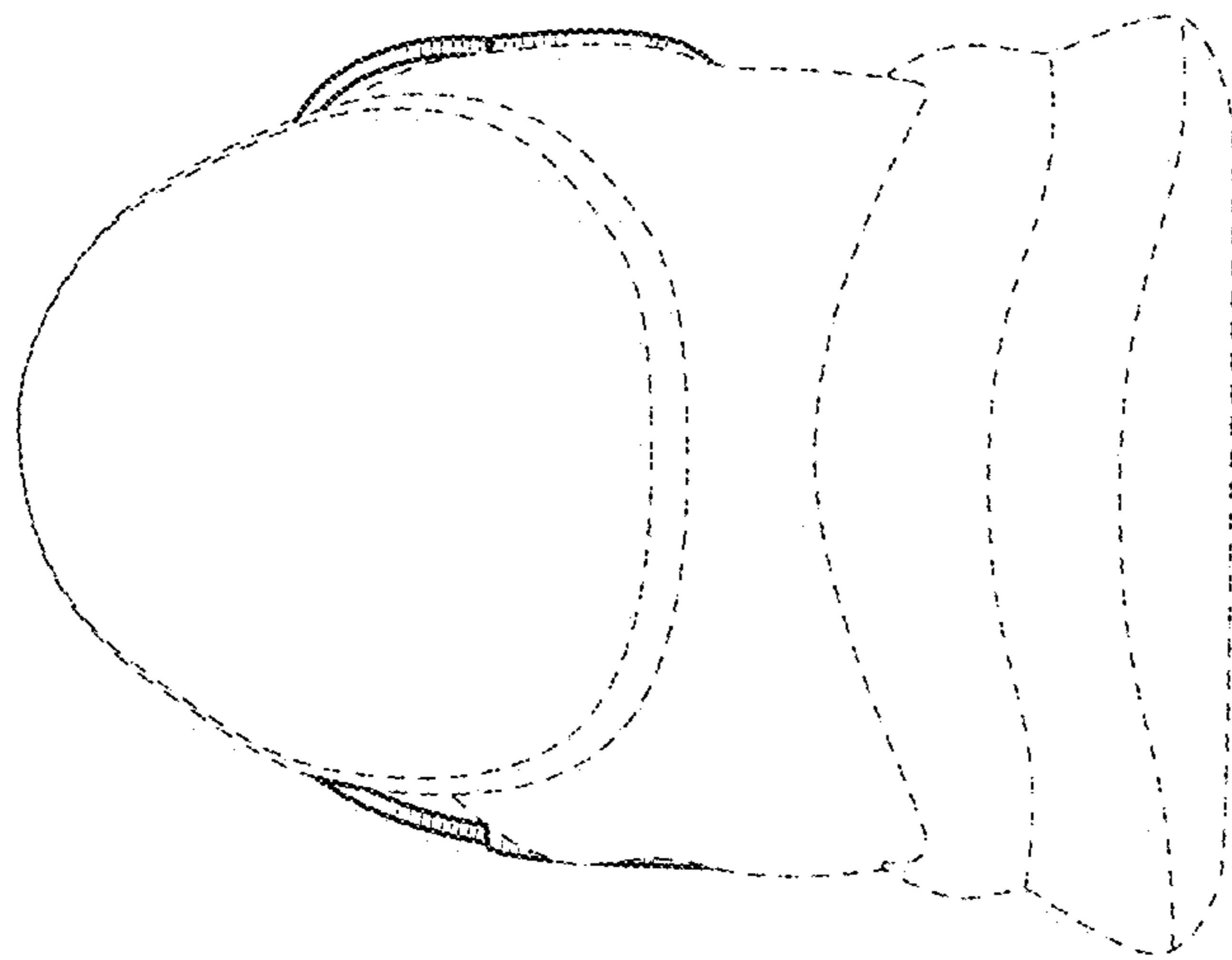


FIG. 6



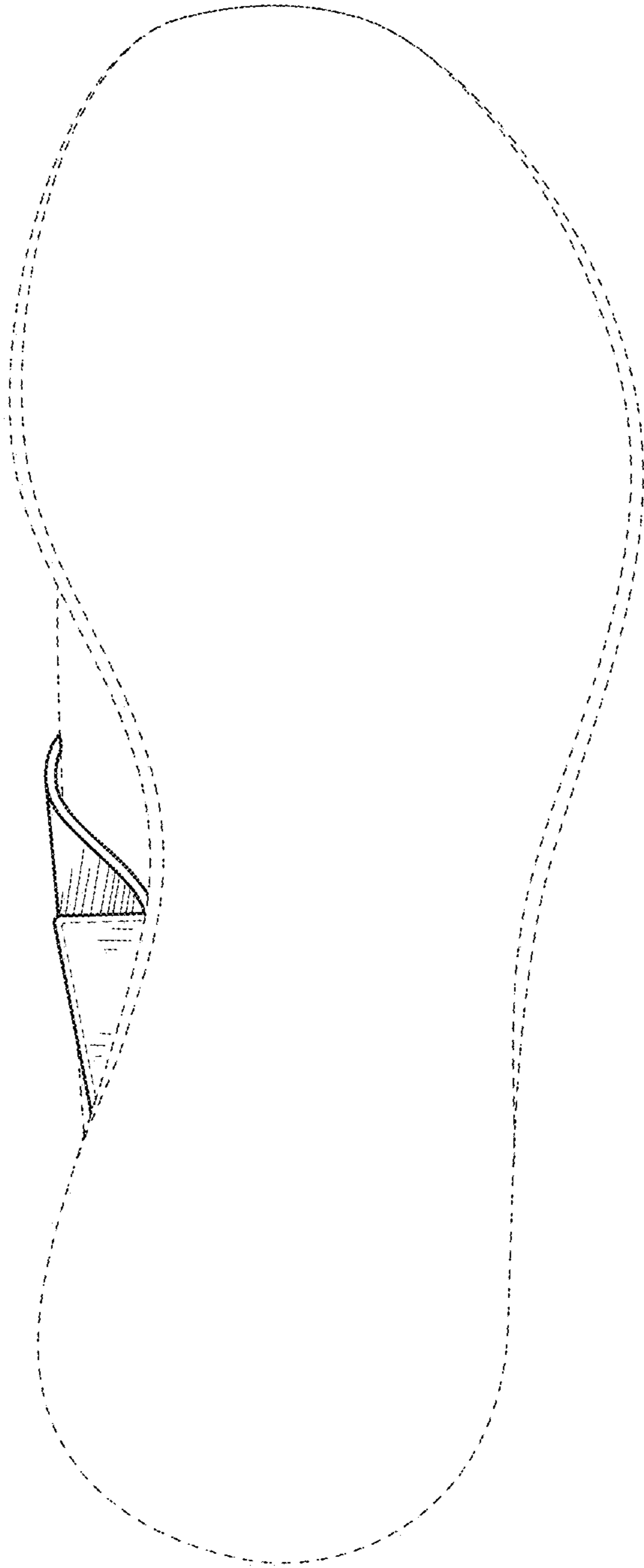


FIG. 7

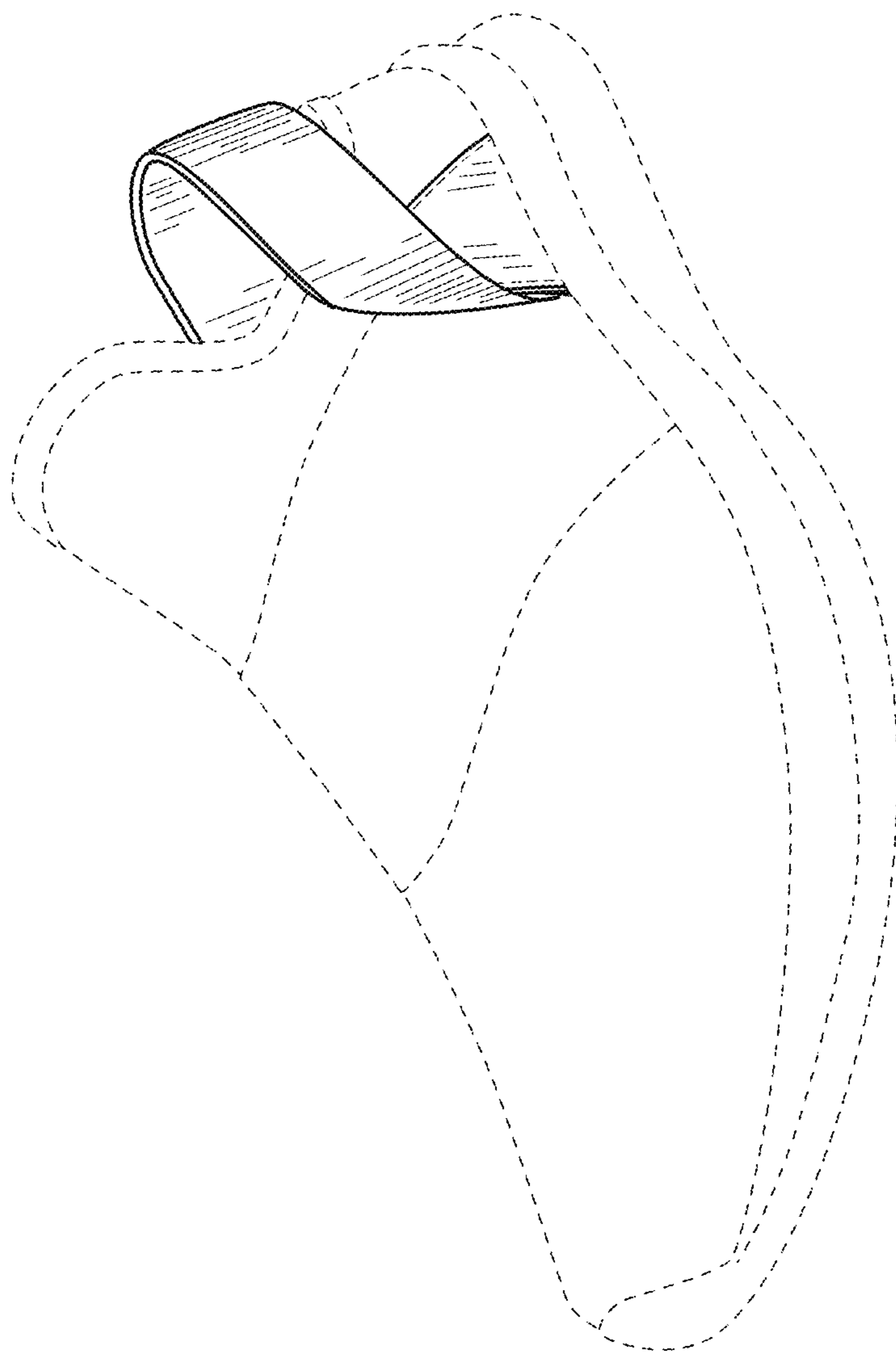


FIG. 8

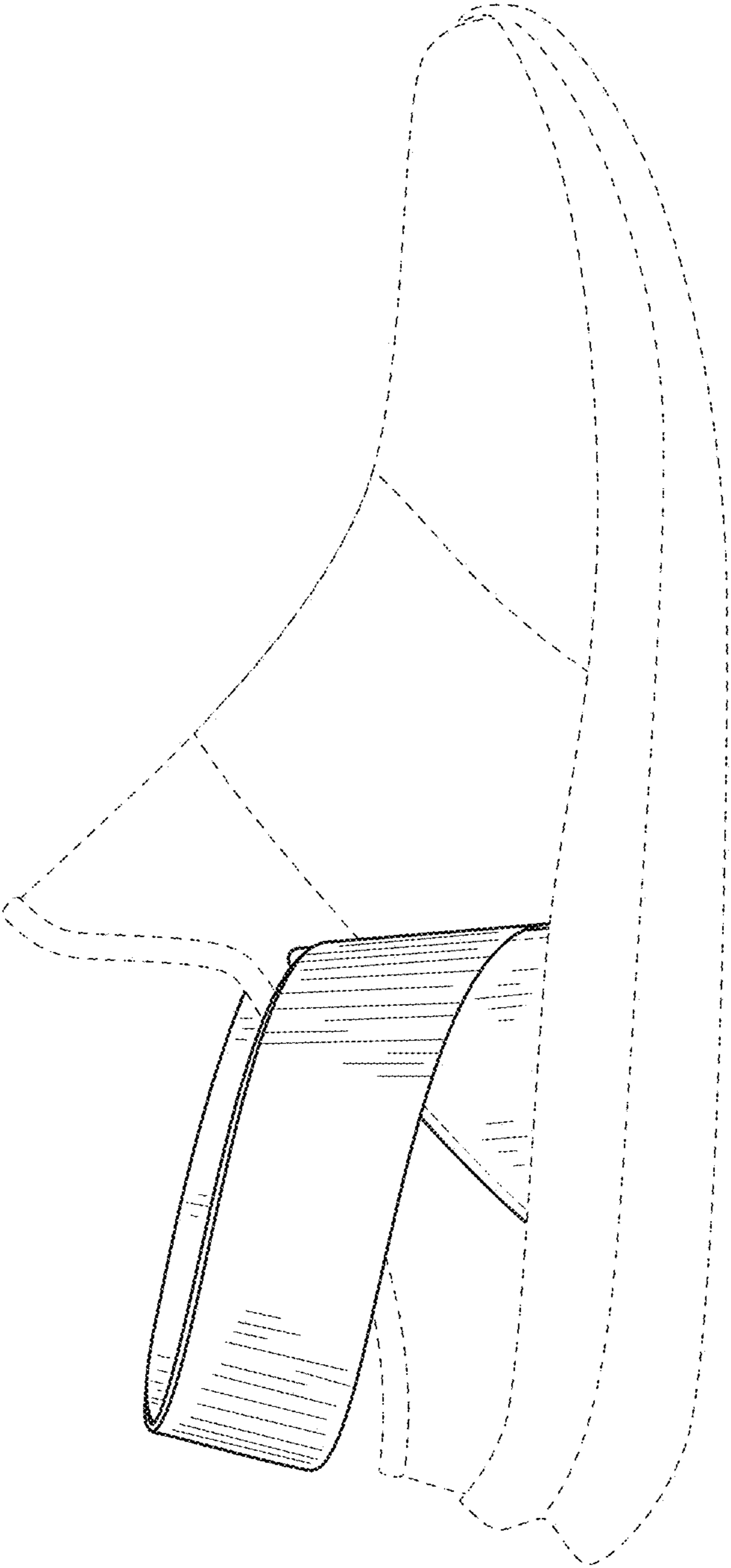


FIG. 9

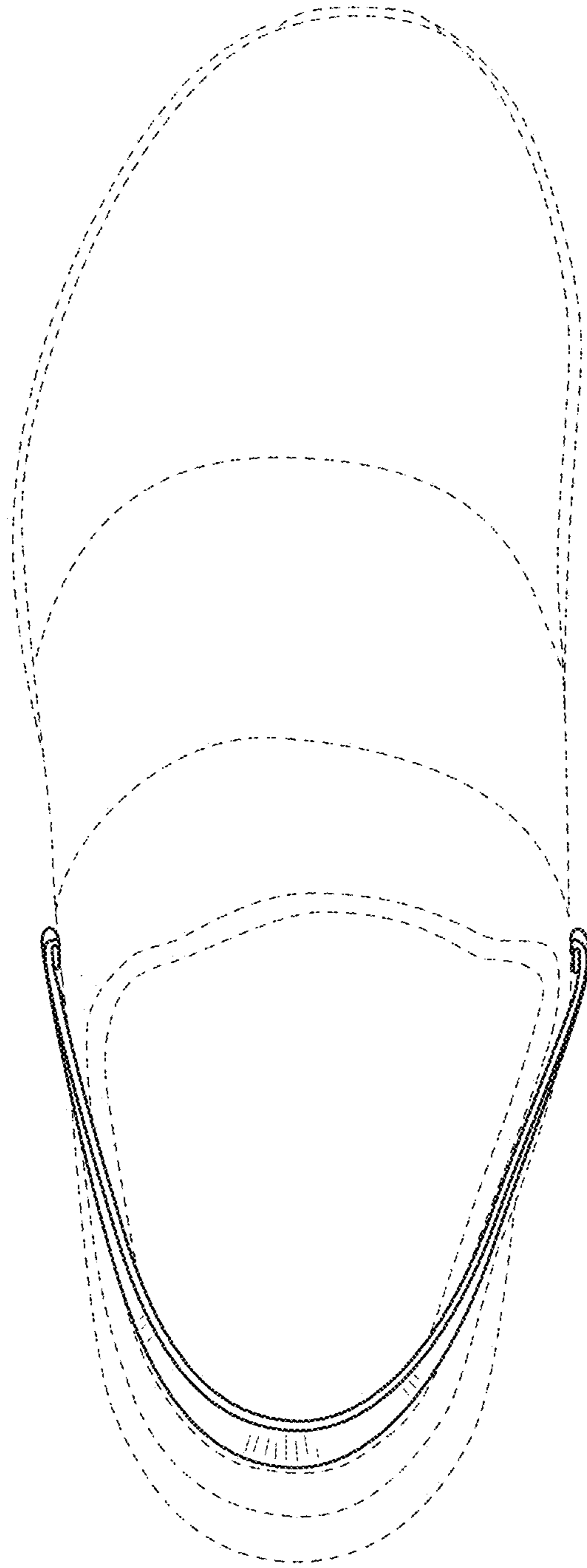


FIG. 10

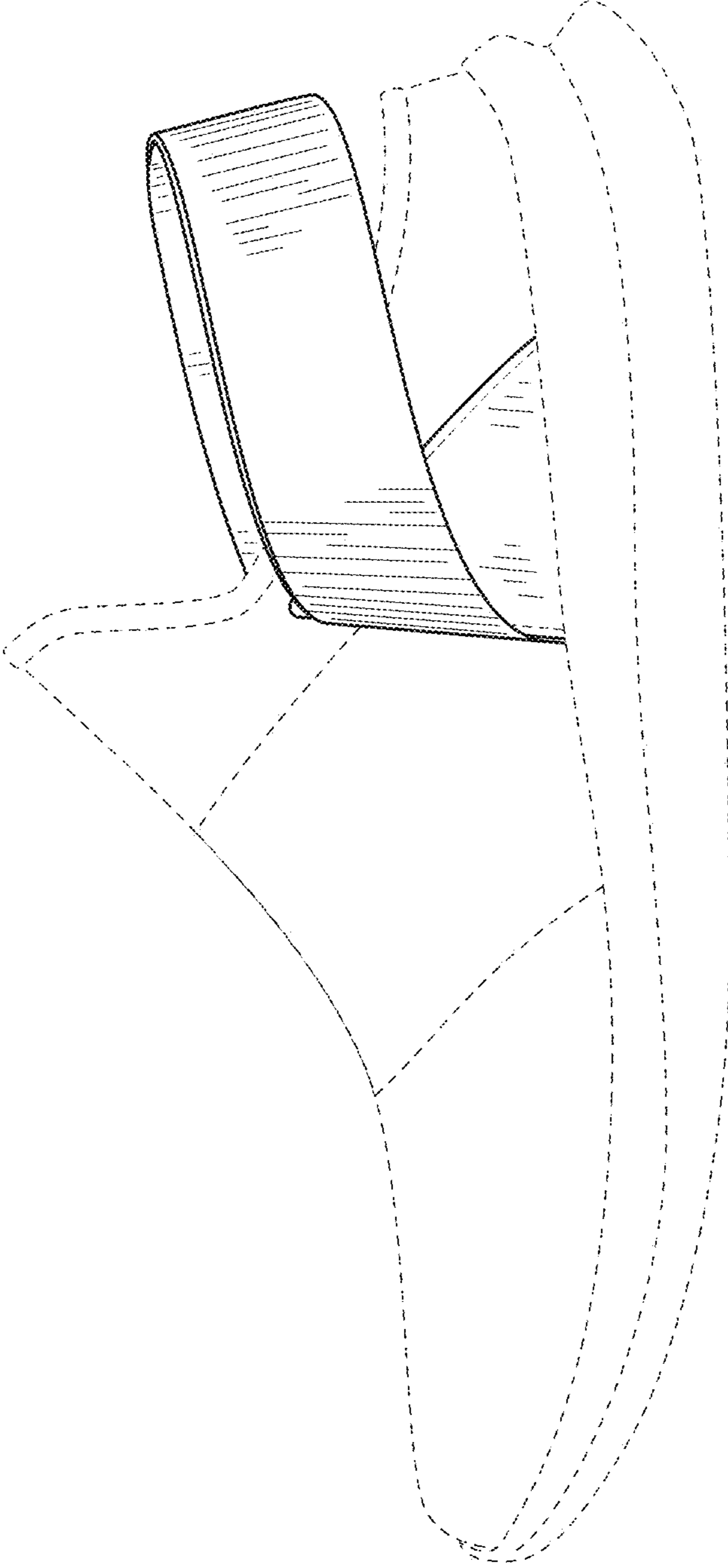


FIG. 11

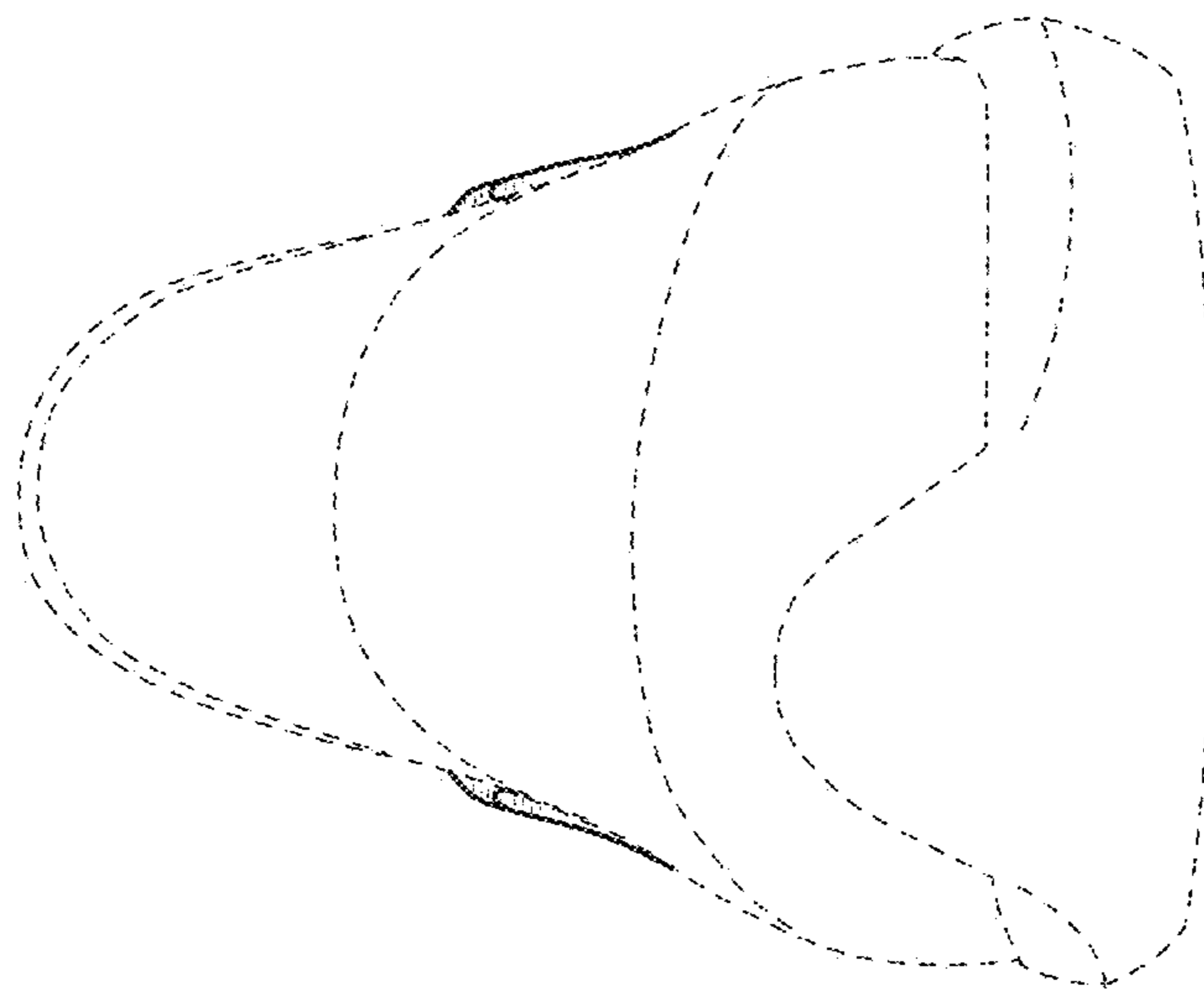


FIG. 12

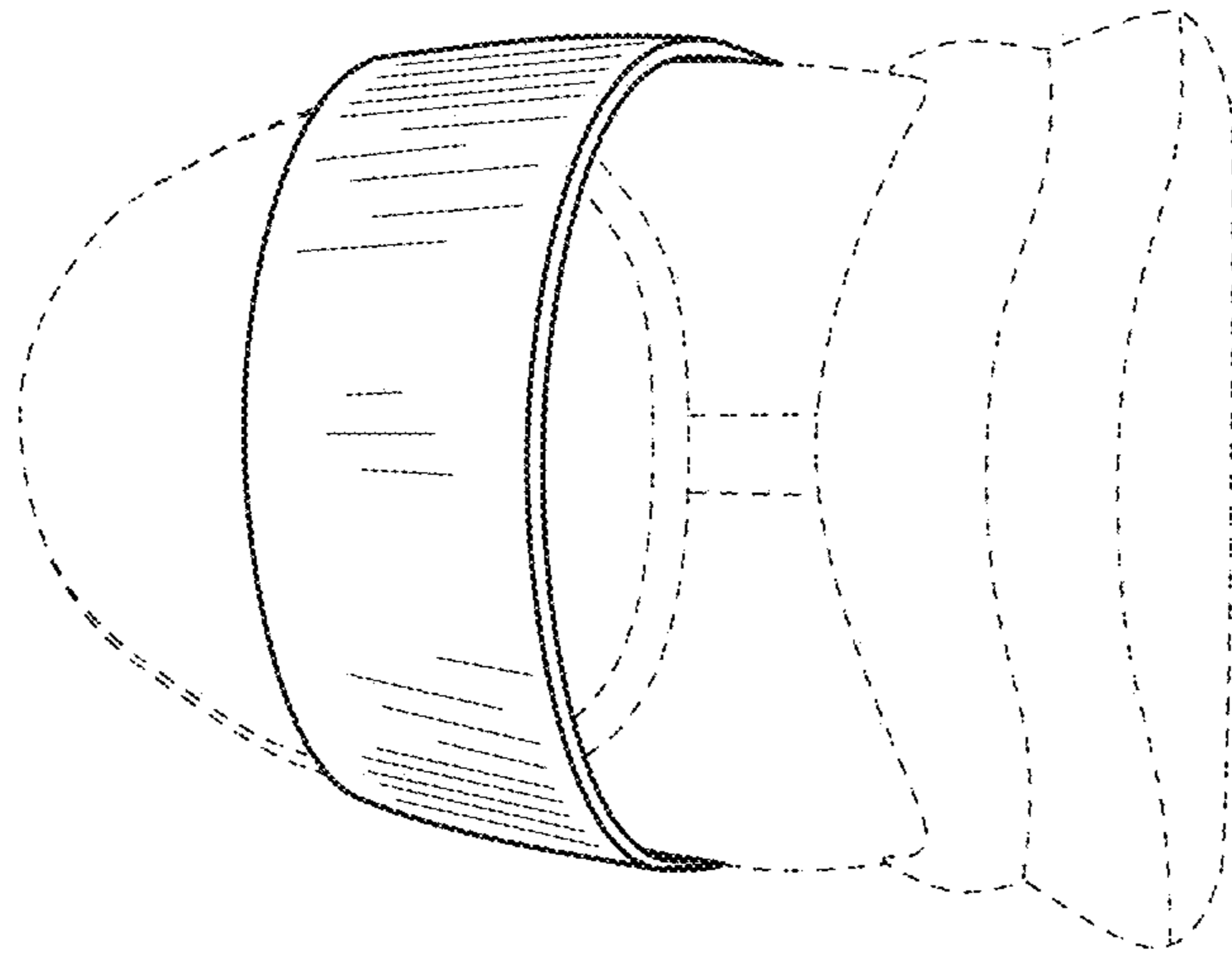


FIG. 13

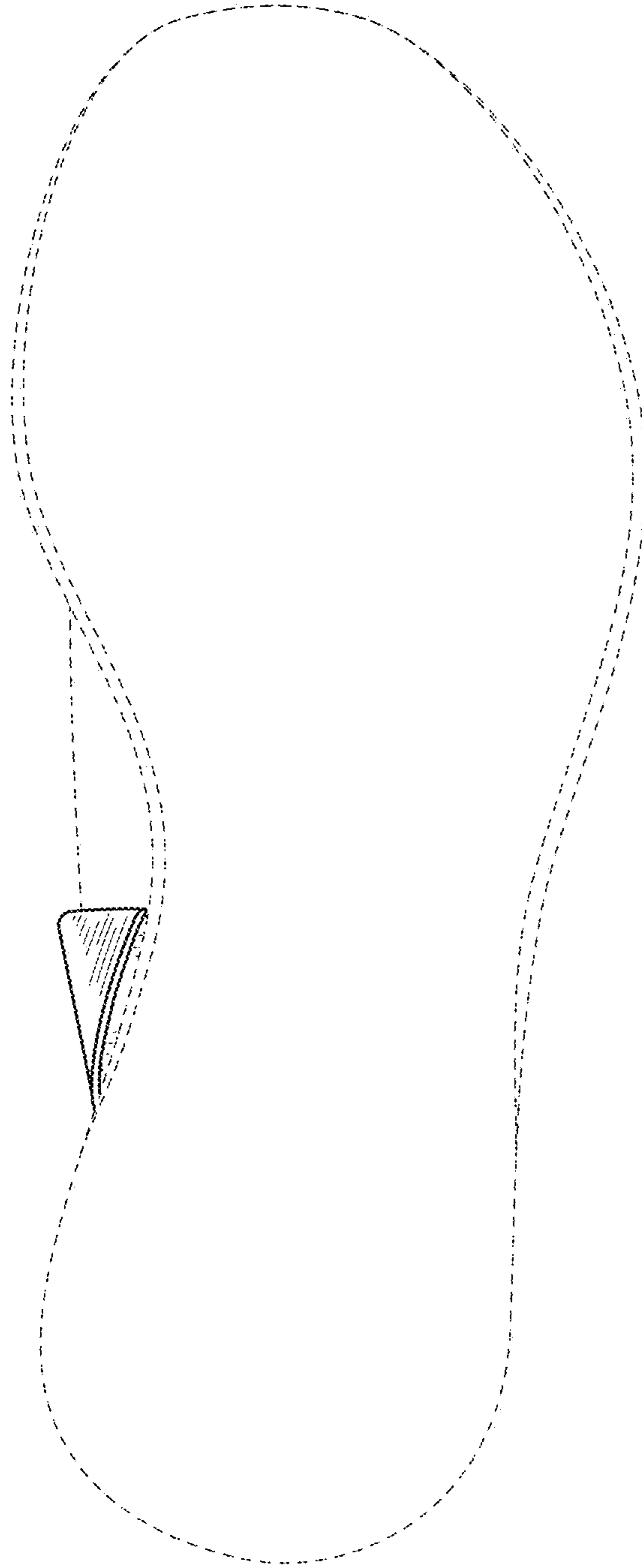


FIG. 14