



US00D904739S

(12) **United States Design Patent**
Ernst

(10) **Patent No.:** **US D904,739 S**

(45) **Date of Patent:** **** Dec. 15, 2020**

- (54) **SHOE**
- (71) Applicant: **PUMA SE**, Herzogenaurach (DE)
- (72) Inventor: **Cornelia Ernst**, Nuürnberg (DE)
- (73) Assignee: **PUMA SE**, Herzogenaurach (DE)
- (**) Term: **15 Years**
- (21) Appl. No.: **29/697,373**
- (22) Filed: **Jul. 8, 2019**
- (51) **LOC (12) Cl.** **02-04**
- (52) **U.S. Cl.**
USPC **D2/947; D2/953; D2/960**
- (58) **Field of Classification Search**
USPC D2/902, 906, 908, 916, 918, 925,
D2/946-962, 972, 977; 36/313, 22 R,
36/24.5, 25 R, 28, 32 R, 34 R, 59 C,
36/67 A, 103
CPC A43B 13/00; A43B 13/02; A43B 13/023;
A43B 13/026; A43B 13/04; A43B 13/08;
A43B 13/10; A43B 13/12; A43B 13/14;
A43B 13/141; A43B 13/143; A43B
13/16; A43B 13/18; A43B 13/181; A43B
13/187; A43B 13/189; A43B 13/20; A43B
13/22; A43B 13/223; A43B 13/24; A43B
13/28; A43B 13/30; A43B 13/32; A43B
13/34; A43B 13/36
See application file for complete search history.

- (56) **References Cited**
U.S. PATENT DOCUMENTS
2,405,498 A * 8/1946 Gregg A43B 13/37
36/32 R
D294,537 S * 3/1988 Le D2/960
D297,185 S * 8/1988 Berzak D2/957
5,572,805 A * 11/1996 Giese A43B 13/12
36/103

- 5,575,089 A * 11/1996 Giese A43B 13/12
36/28
- D435,334 S * 12/2000 Wilson D2/953
- D495,477 S * 9/2004 McClaskie D2/947
- D495,858 S * 9/2004 McClaskie D2/947
- D499,535 S * 12/2004 McClaskie D2/947
- D511,617 S * 11/2005 Matis D2/947
- D518,284 S * 4/2006 Chen A43B 7/1425
D2/977
- D536,162 S * 2/2007 McClaskie D2/947
- D616,639 S * 6/2010 Larregain A43B 3/128
D2/957
- D619,793 S * 7/2010 Raysse A43B 13/386
D2/946
- D626,315 S * 11/2010 Teteriatnikov D2/946
- D712,645 S * 9/2014 Bove D2/960
- D723,778 S * 3/2015 Miner D2/960

(Continued)

Primary Examiner — T Chase Nelson
(74) *Attorney, Agent, or Firm* — Quarles & Brady LLP

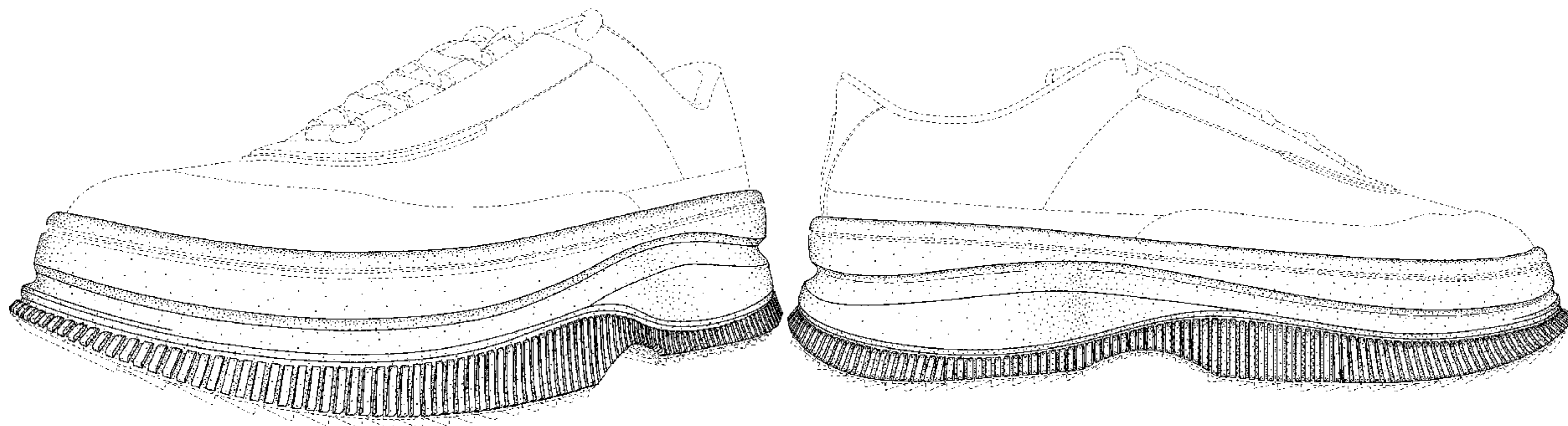
(57) **CLAIM**

The ornamental design for a shoe, as shown and described.

DESCRIPTION

FIG. 1 is a top, left, and front perspective view of an ornamental design for a shoe;
FIG. 2 is a front elevational view of the shoe of FIG. 1;
FIG. 3 is a rear elevational view of the shoe of FIG. 1;
FIG. 4 is a left side elevational view of the shoe of FIG. 1;
FIG. 5 is a right side elevational view of the shoe of FIG. 1;
FIG. 6 is a top plan view of the shoe of FIG. 1; and,
FIG. 7 is a bottom plan view of the shoe of FIG. 1.
The dash-dash-dash broken lines are included for the purpose of illustrating portions of the shoe that form no part of the claimed design. The broken lines immediately adjacent to the shaded area define the bounds of the claimed design and form no part thereof.

1 Claim, 7 Drawing Sheets



(56)

References Cited

U.S. PATENT DOCUMENTS

D723,782	S	*	3/2015	Miner	D2/960
D768,368	S	*	10/2016	Birkinhead	D2/953
D776,413	S	*	1/2017	Mokos	D2/960
D776,419	S	*	1/2017	VanHook	D2/973
D796,803	S	*	9/2017	Nethongkome	D2/947
D799,801	S	*	10/2017	Da Costa Pereira Machado	D2/947
D801,650	S	*	11/2017	Nykreim	D2/947
D805,273	S	*	12/2017	Birkinhead	D2/908
D814,753	S	*	4/2018	Gibson	D2/947
D821,714	S	*	7/2018	Chang	D2/947
D834,292	S	*	11/2018	Hernandez	D2/947
D841,965	S	*	3/2019	Goldman	D2/960
D846,851	S	*	4/2019	Della Valle	D2/947
D848,126	S	*	5/2019	Rhu	D2/947
D861,301	S	*	10/2019	Weeks	D2/947
D862,056	S	*	10/2019	Wang	D2/947
D869,132	S	*	12/2019	de Montgolfier	D2/947
D869,831	S	*	12/2019	Hernandez	D2/947
D885,725	S	*	6/2020	de Montgolfier	D2/947
D891,740	S	*	8/2020	Jones	D2/947
D893,143	S	*	8/2020	Lee	D2/947
D893,837	S	*	8/2020	Ni	D2/947
D894,564	S	*	9/2020	Lopez Cali	D2/957
2010/0205831	A1	*	8/2010	Cheskin	A43B 13/386 36/44
2015/0250259	A1	*	9/2015	Attey	A43B 3/128 36/103
2017/0188655	A1	*	7/2017	Carlson	A63C 17/00
2018/0160773	A1	*	6/2018	Goldman	A43B 7/1425

* cited by examiner

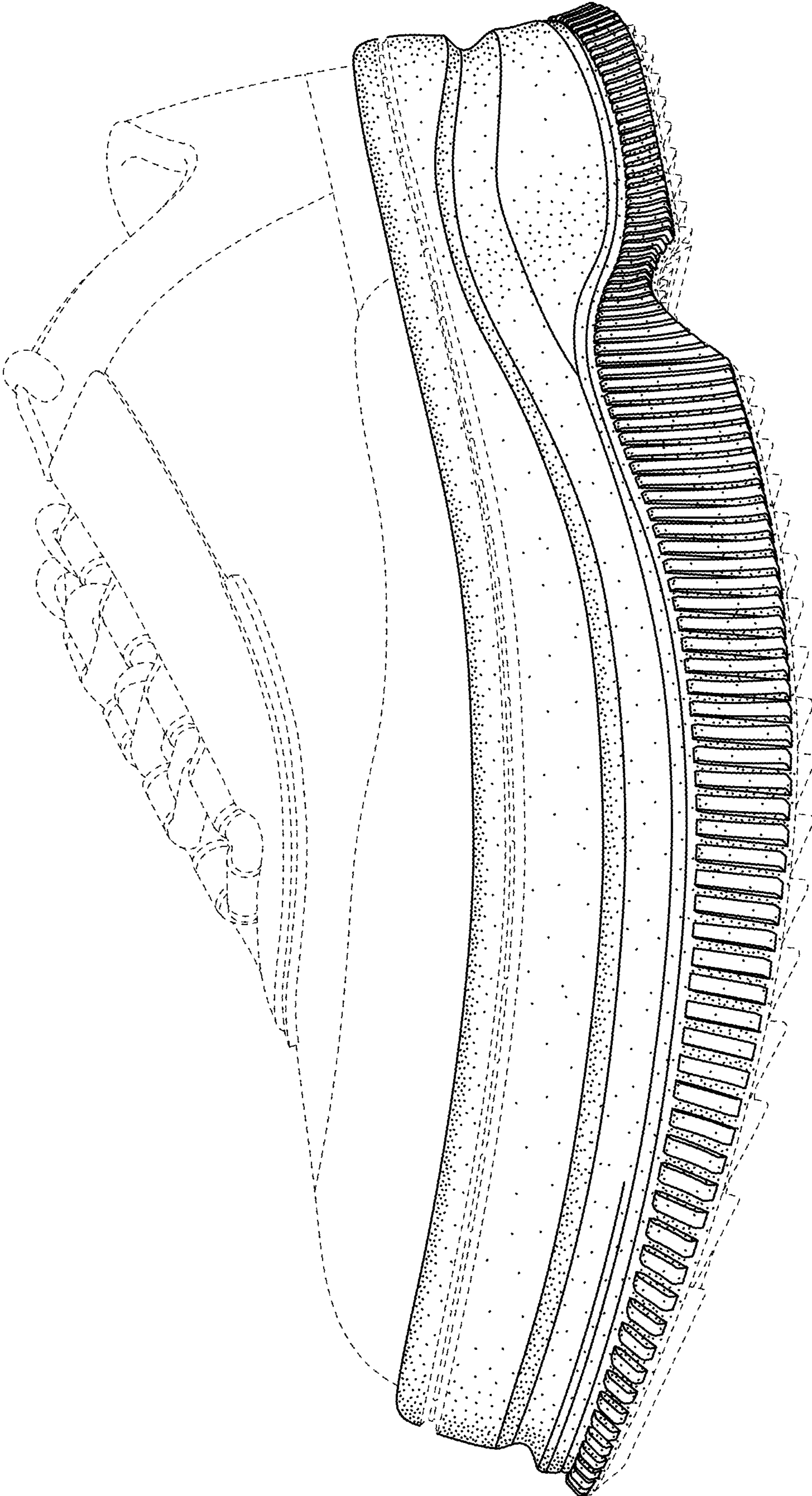


FIG. 1

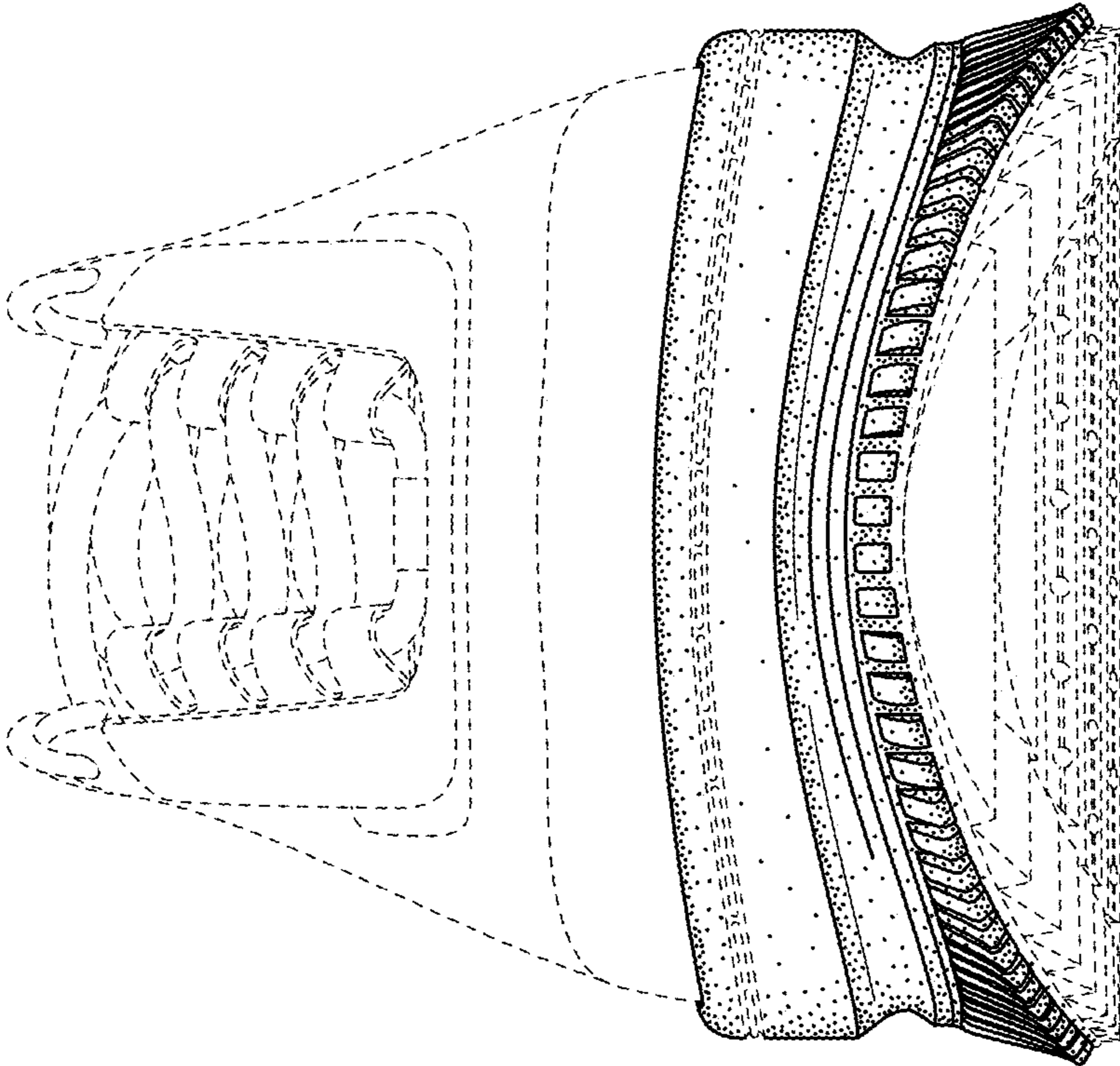


FIG. 2

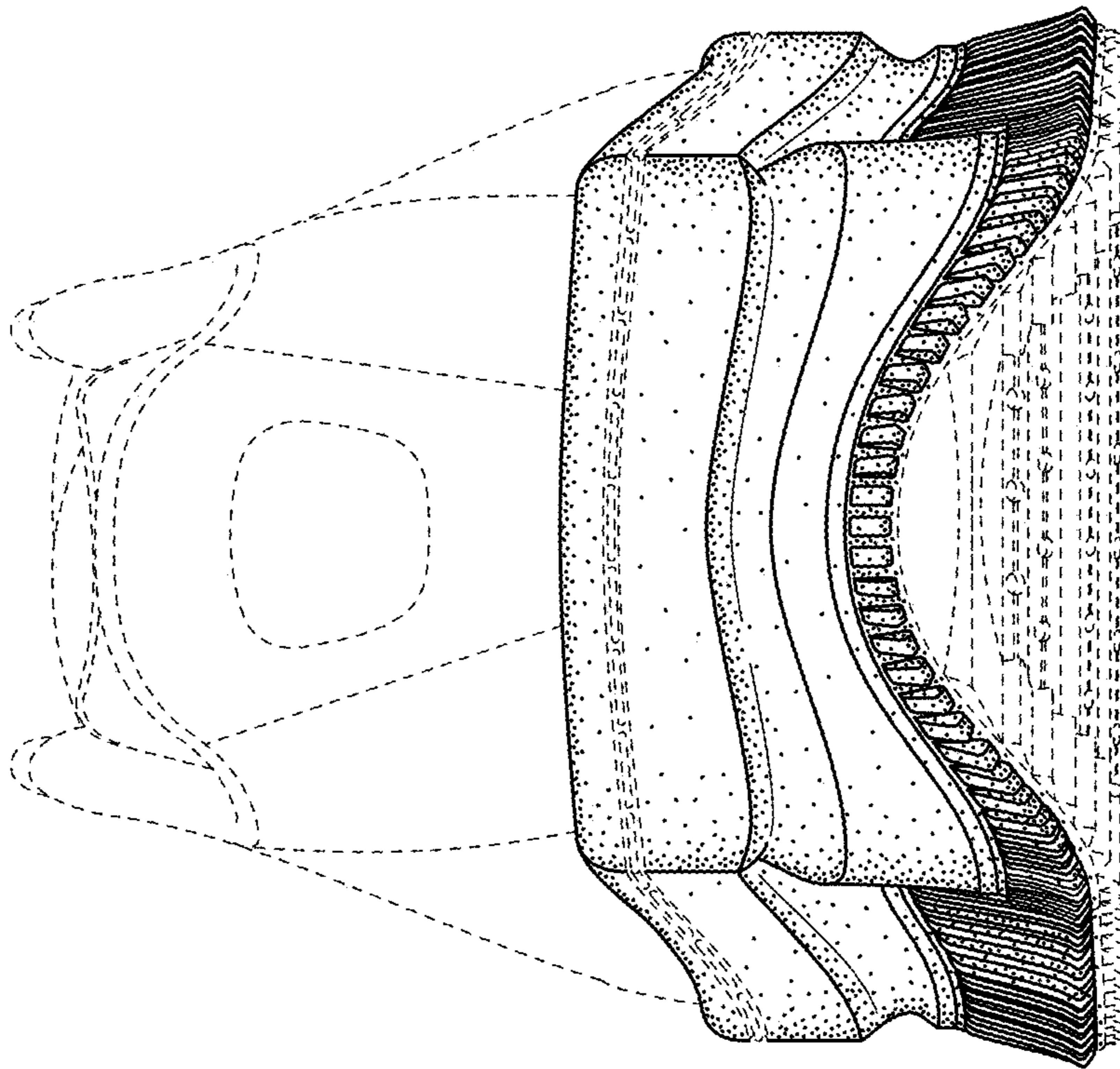


FIG. 3

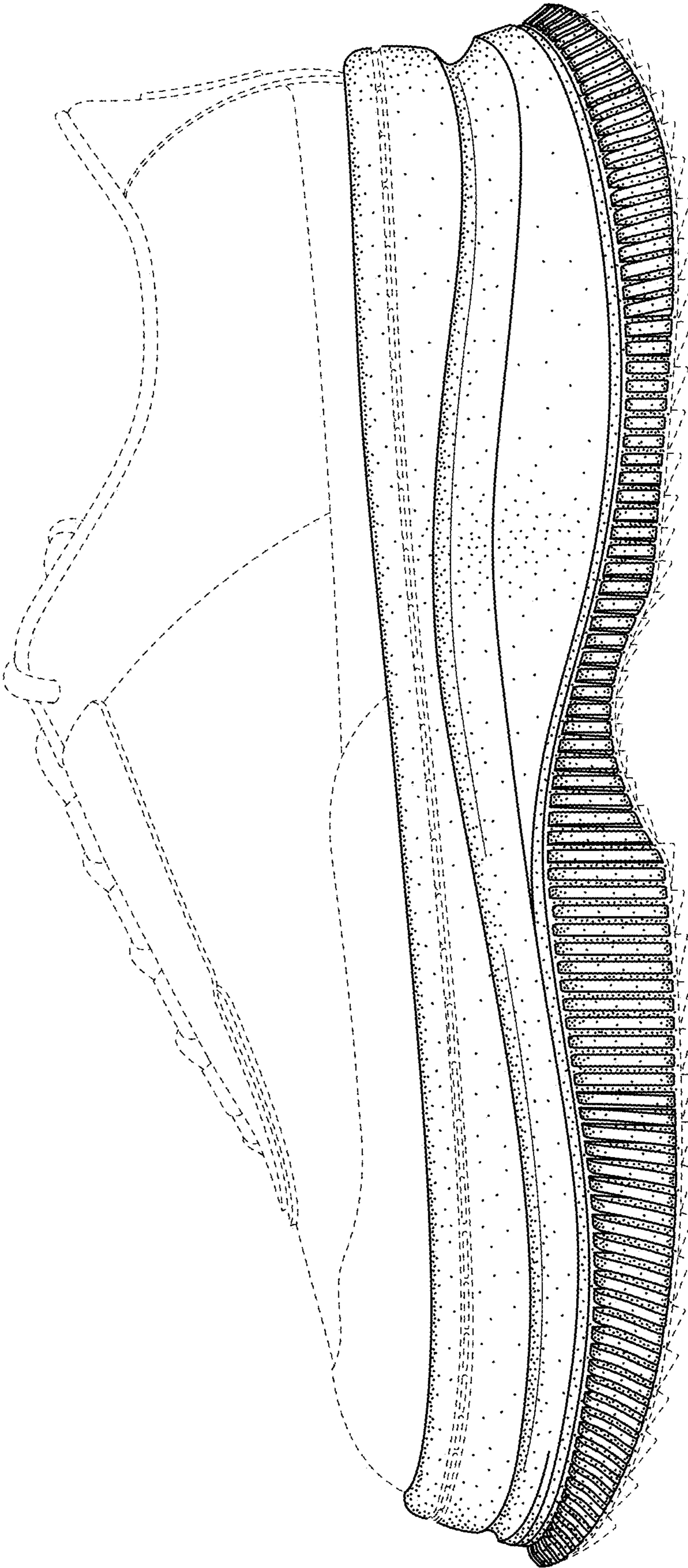


FIG. 4

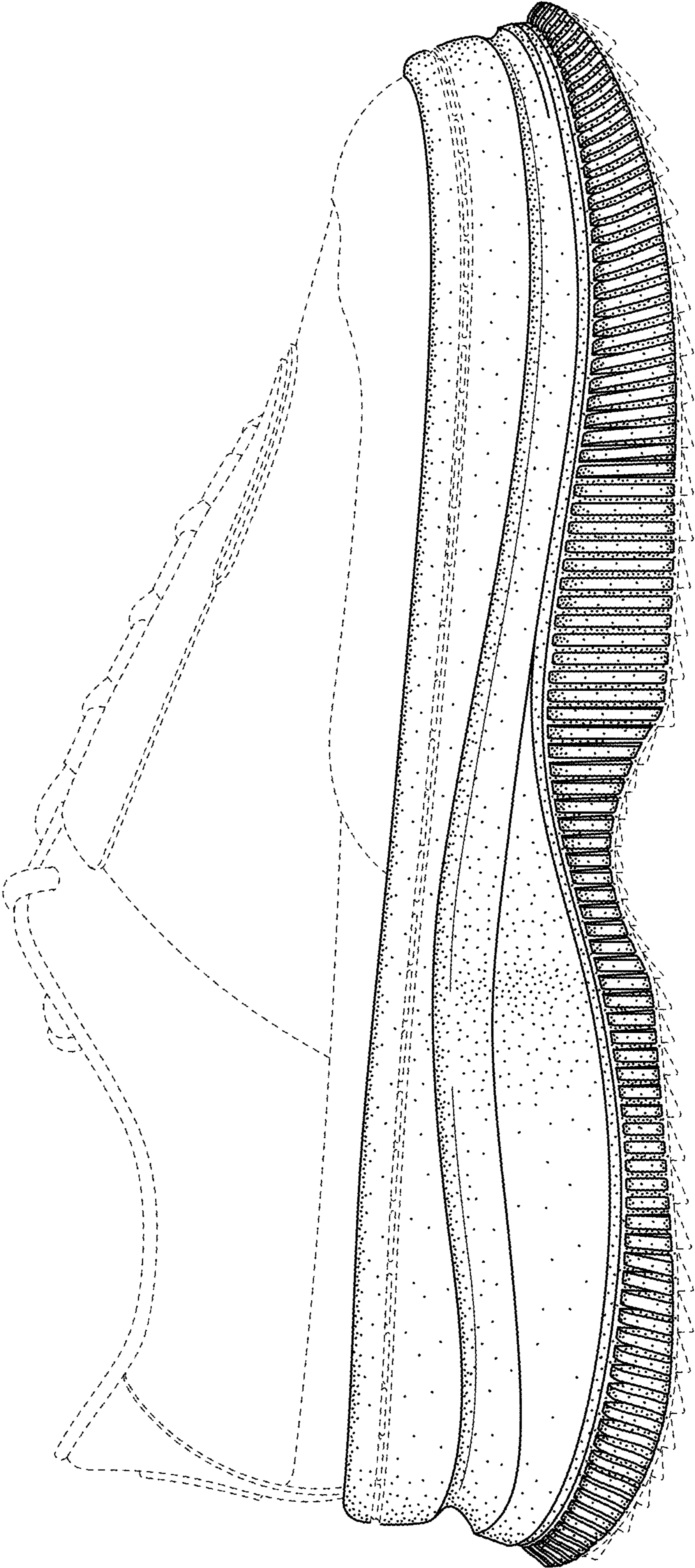


FIG. 5

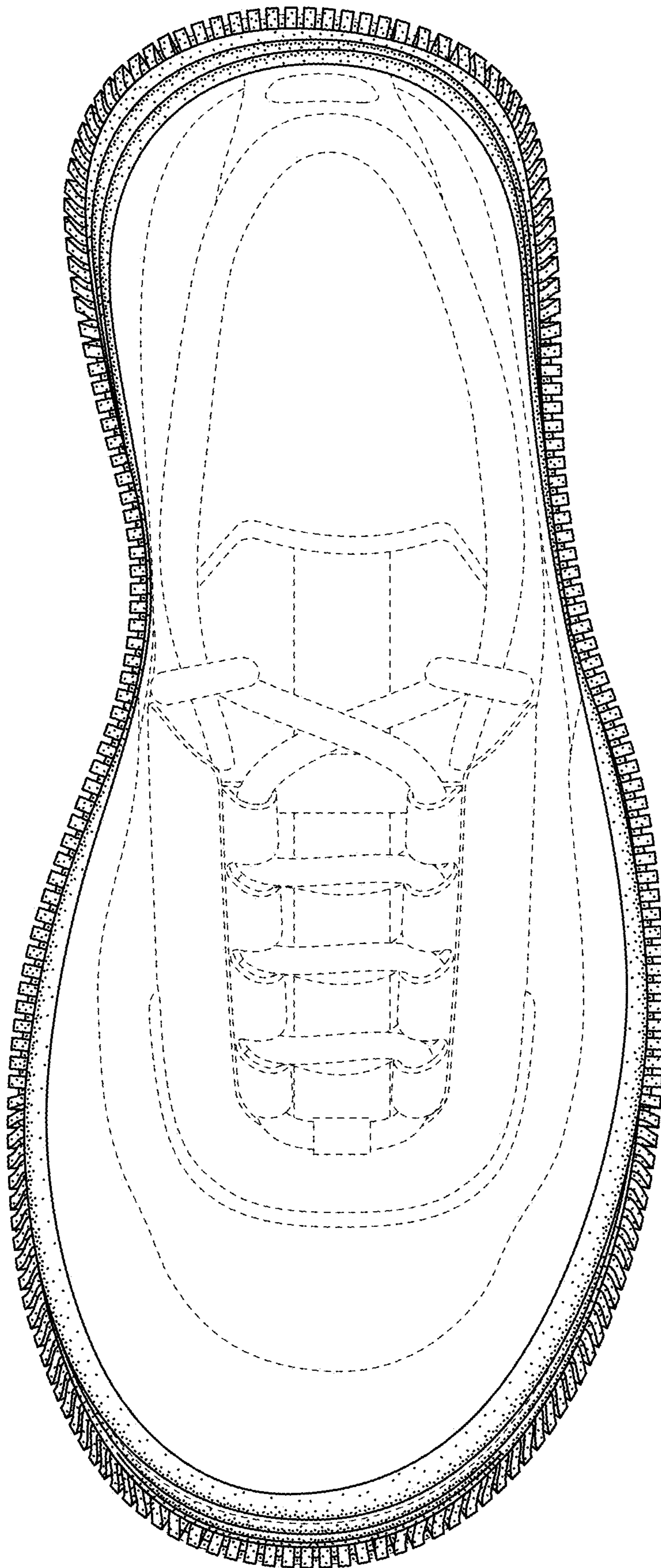


FIG. 6

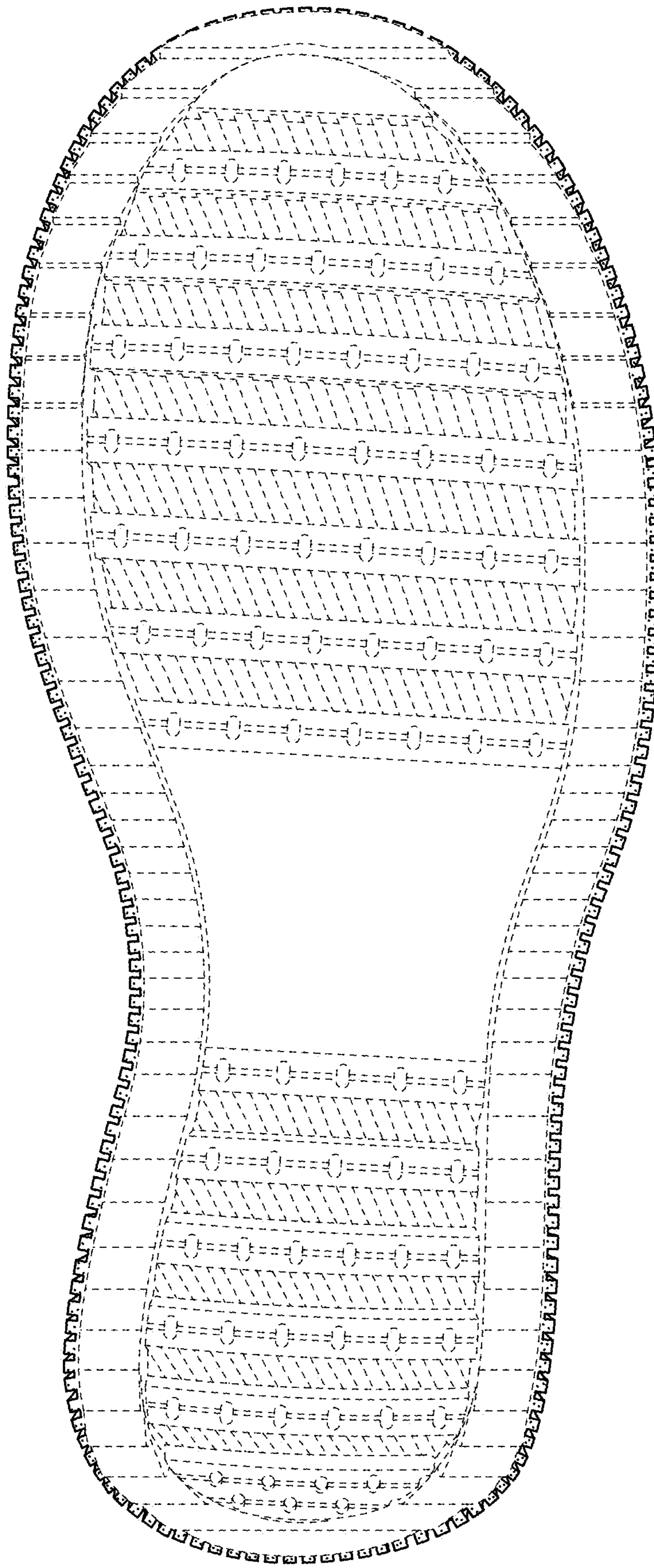


FIG. 7