



US00D904735S

(12) **United States Design Patent** (10) **Patent No.:** **US D904,735 S**
Lacy (45) **Date of Patent:** **** Dec. 15, 2020**

- (54) **HAT BRIM**
- (71) Applicant: **Sunday Afternoons, Inc.**, Talent, OR (US)
- (72) Inventor: **Acacia Lacy**, Ashland, OR (US)
- (73) Assignee: **SUNDAY AFTERNOONS, INC.**, Talent, OR (US)
- (**) Term: **15 Years**
- (21) Appl. No.: **29/681,410**
- (22) Filed: **Feb. 25, 2019**
- (51) **LOC (12) Cl.** **02-03**
- (52) **U.S. Cl.**
USPC **D2/893**; D2/879
- (58) **Field of Classification Search**
USPC D2/865, 866, 872, 873, 874, 876, 879, D2/880, 882, 883, 884, 885, 886, 887, D2/891, 893, 895; D29/109
CPC .. A42B 1/00; A42B 1/008; A42B 1/02; A42B 1/06; A42B 1/061; A42B 1/062; A42B 1/066; A42B 1/067; A42B 1/20; A42B 1/201; A42B 1/205; A42B 1/22
See application file for complete search history.

- (56) **References Cited**
U.S. PATENT DOCUMENTS
D83,713 S * 3/1931 Blattmann D2/876
D96,519 S * 8/1935 Strawgate D2/886
D135,497 S * 4/1943 Reinsberg D2/879
D137,087 S * 1/1944 Hodge D2/887
D137,429 S * 3/1944 Scott et al. D2/884
2,436,724 A * 2/1948 Mishel A42B 1/045
2/84
D186,839 S * 12/1959 Lipschutz D2/882
5,669,075 A * 9/1997 Weeks A42B 1/062
2/172
D457,712 S * 5/2002 Glaser D2/869

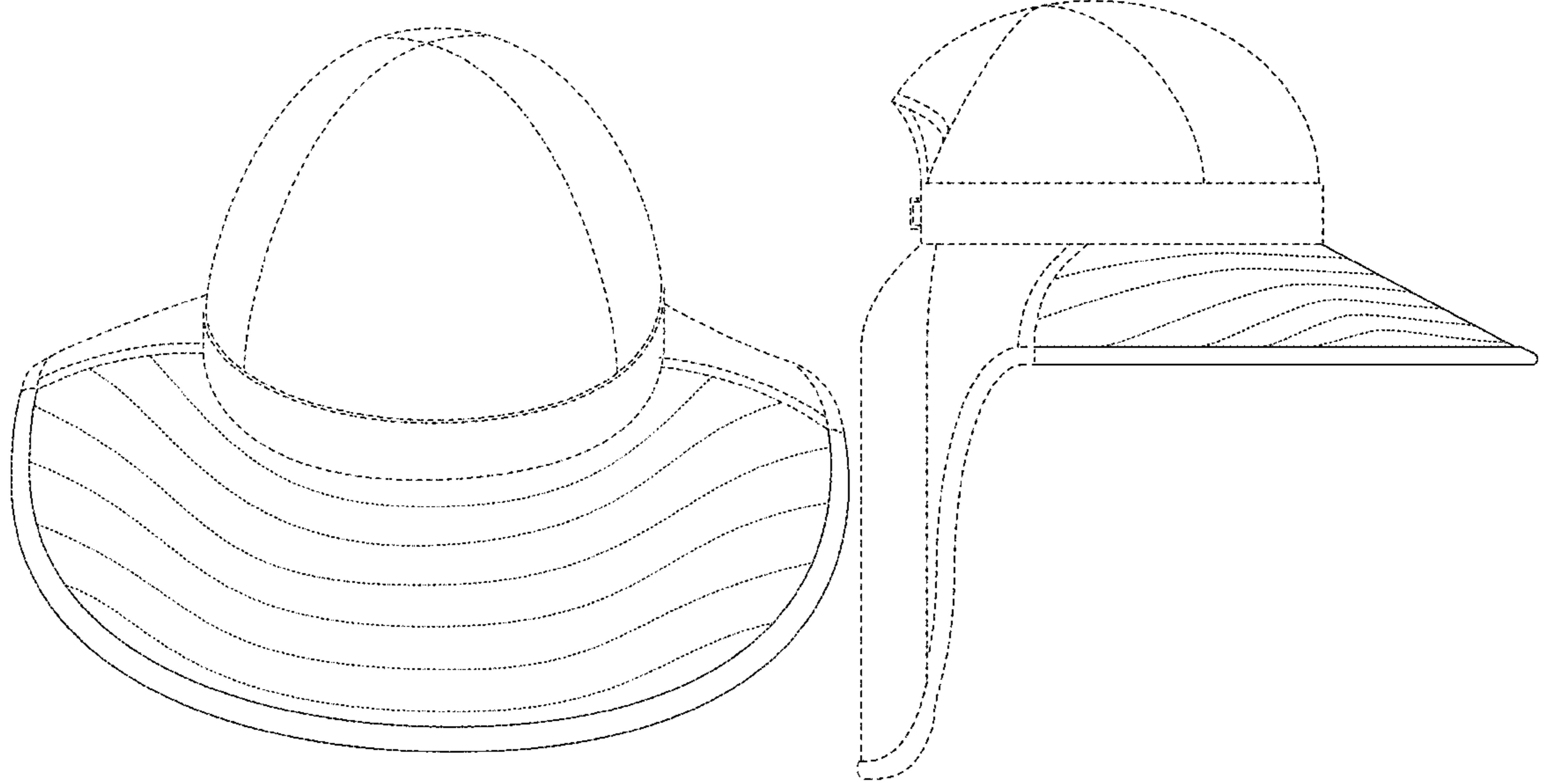
- D492,094 S * 6/2004 Park D2/893
- D596,381 S 7/2009 Pharis et al.
- D617,082 S 6/2010 Snell
- D696,462 S * 12/2013 Saavedra D29/105
- D714,031 S 9/2014 Javits, Jr.
- D720,892 S * 1/2015 Bryan D29/122
- D720,893 S 1/2015 Bryan et al.
- D721,224 S 1/2015 Arenson et al.
- D785,911 S * 5/2017 Arenson D2/886
- 9,655,396 B1 * 5/2017 Lacy A42B 1/206
- D841,944 S * 3/2019 Lacy D2/879
- D847,472 S * 5/2019 Foster D2/886
- 10,441,015 B2 * 10/2019 Niedrich A42B 1/22
- 2007/0192934 A1 * 8/2007 Niedrich A42B 1/004
2/171
- 2016/0367014 A1 * 12/2016 Burke A45D 44/12
- 2020/0008504 A1 * 1/2020 Niedrich A42B 1/22

* cited by examiner
Primary Examiner — Jasmine Mlinarcik
(74) *Attorney, Agent, or Firm* — McCoy Russell LLP

(57) **CLAIM**
The ornamental design for a hat brim, as shown and described.

DESCRIPTION
FIG. 1 is a top view of a hat brim according to the present invention.
FIG. 2 is a front perspective view of the hat brim of FIG. 1.
FIG. 3 is a front view of the hat brim of FIG. 1.
FIG. 4 is a right side view of the hat brim of FIG. 1.
FIG. 5 is a rear view of the hat brim of FIG. 1.
FIG. 6 is a left side view of the hat brim of FIG. 1; and, FIG. 7 is a bottom view of the hat brim of FIG. 1.
The dotted broken lines along the brim portion of the hat brim depict stitching that forms part of the claimed design. The long dashed broken lines and areas adjacent to the hat brim front depict environmental subject matter that forms no part of the claim.

1 Claim, 7 Drawing Sheets



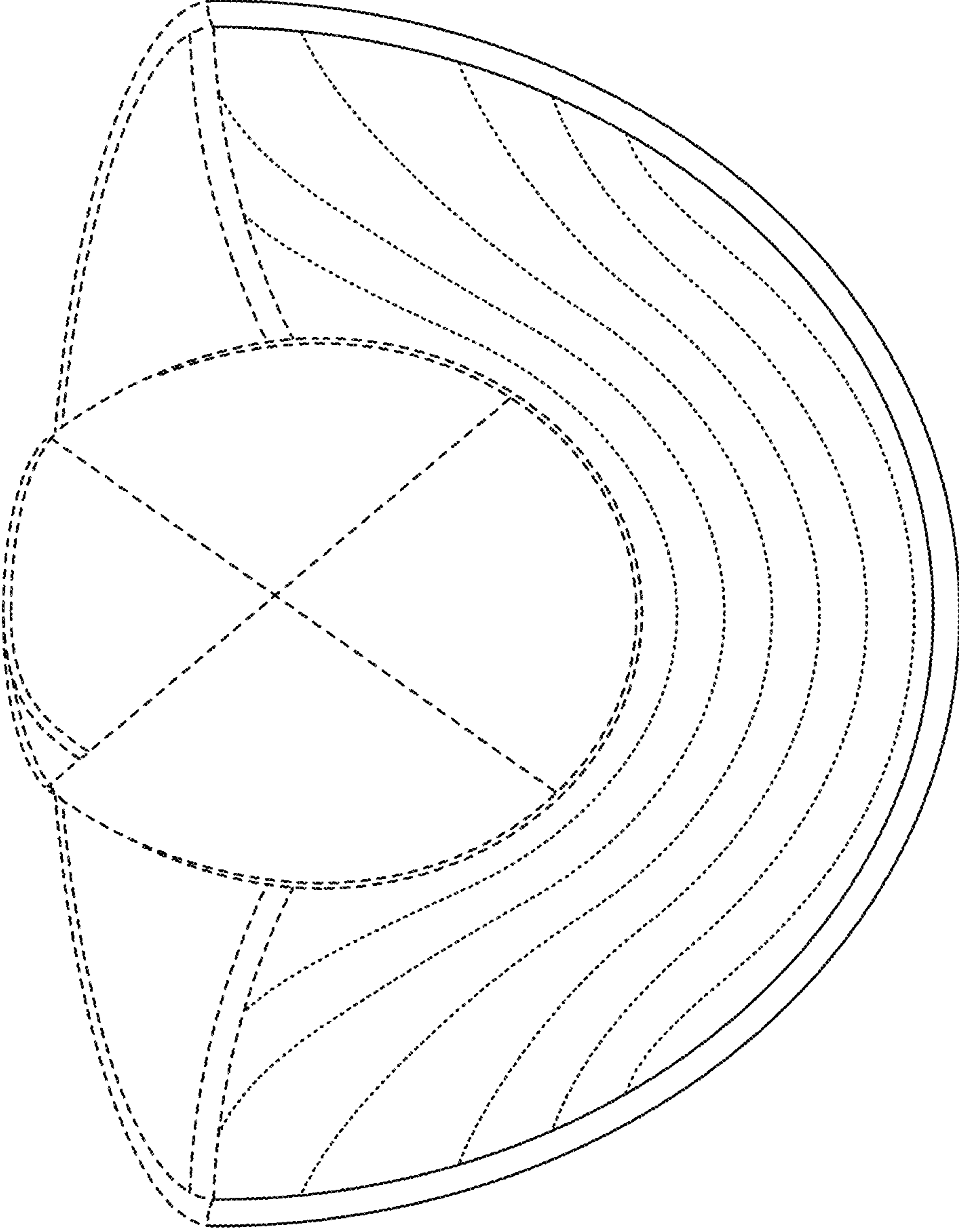


FIG. 1

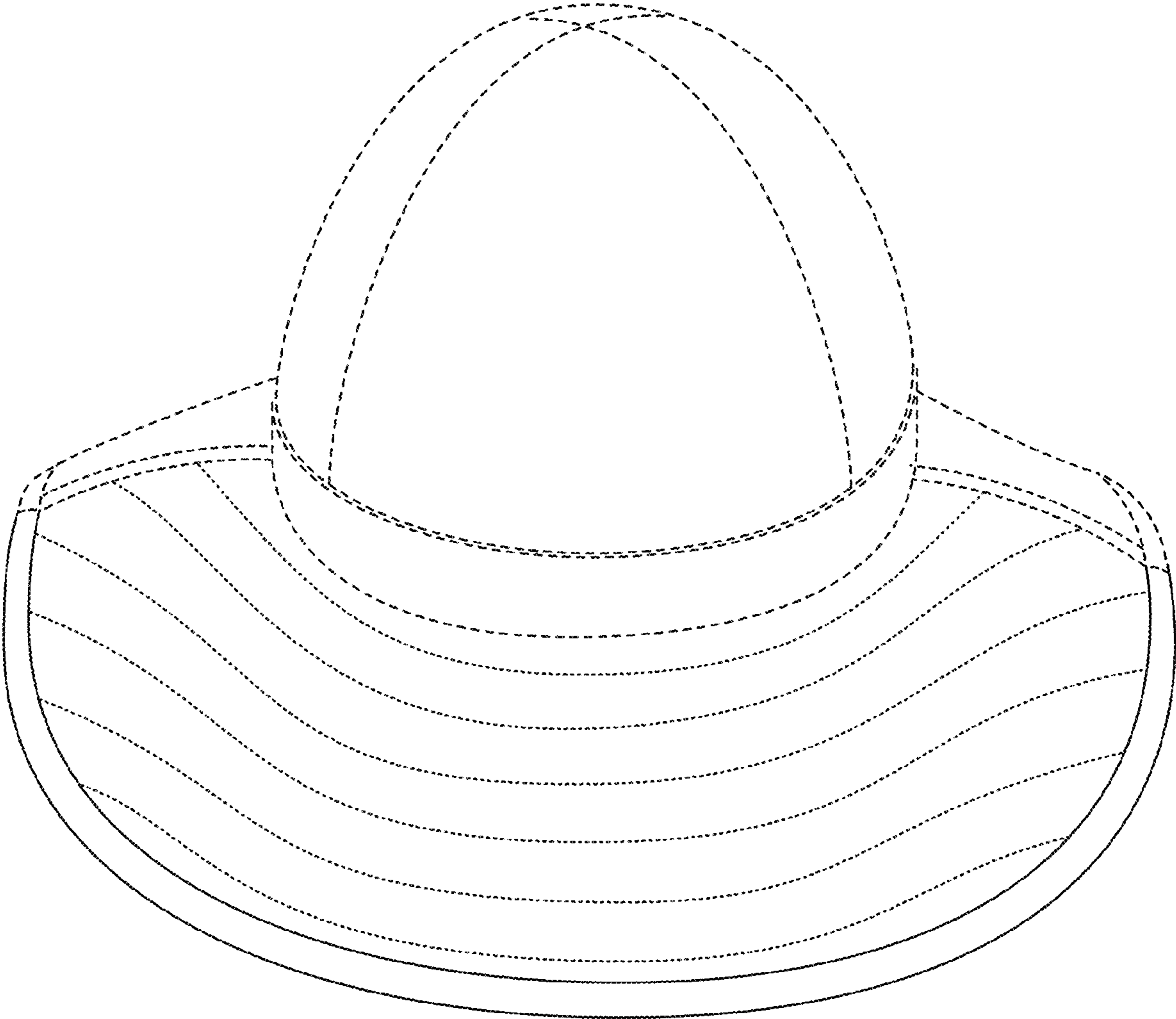


FIG. 2

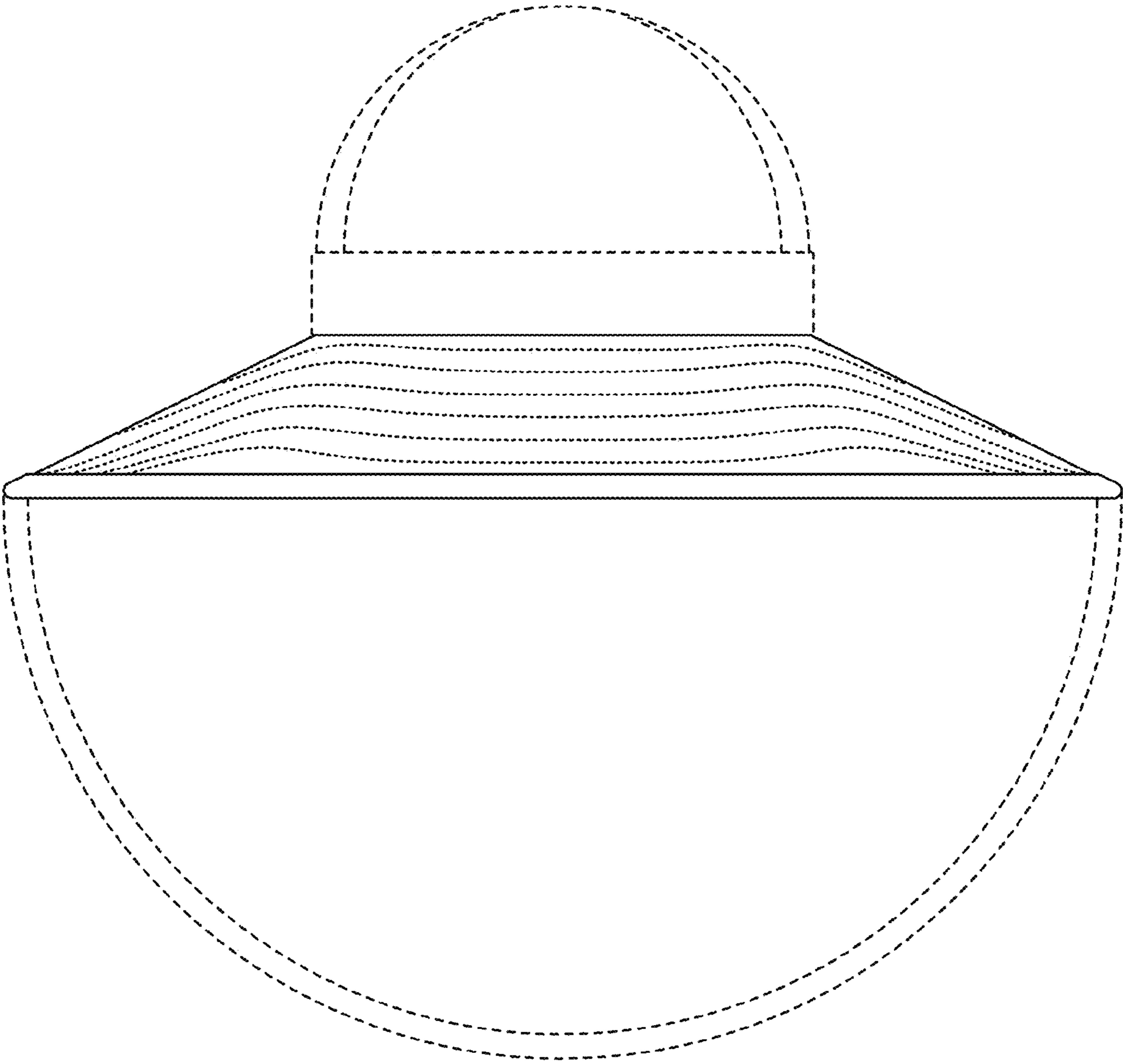


FIG. 3

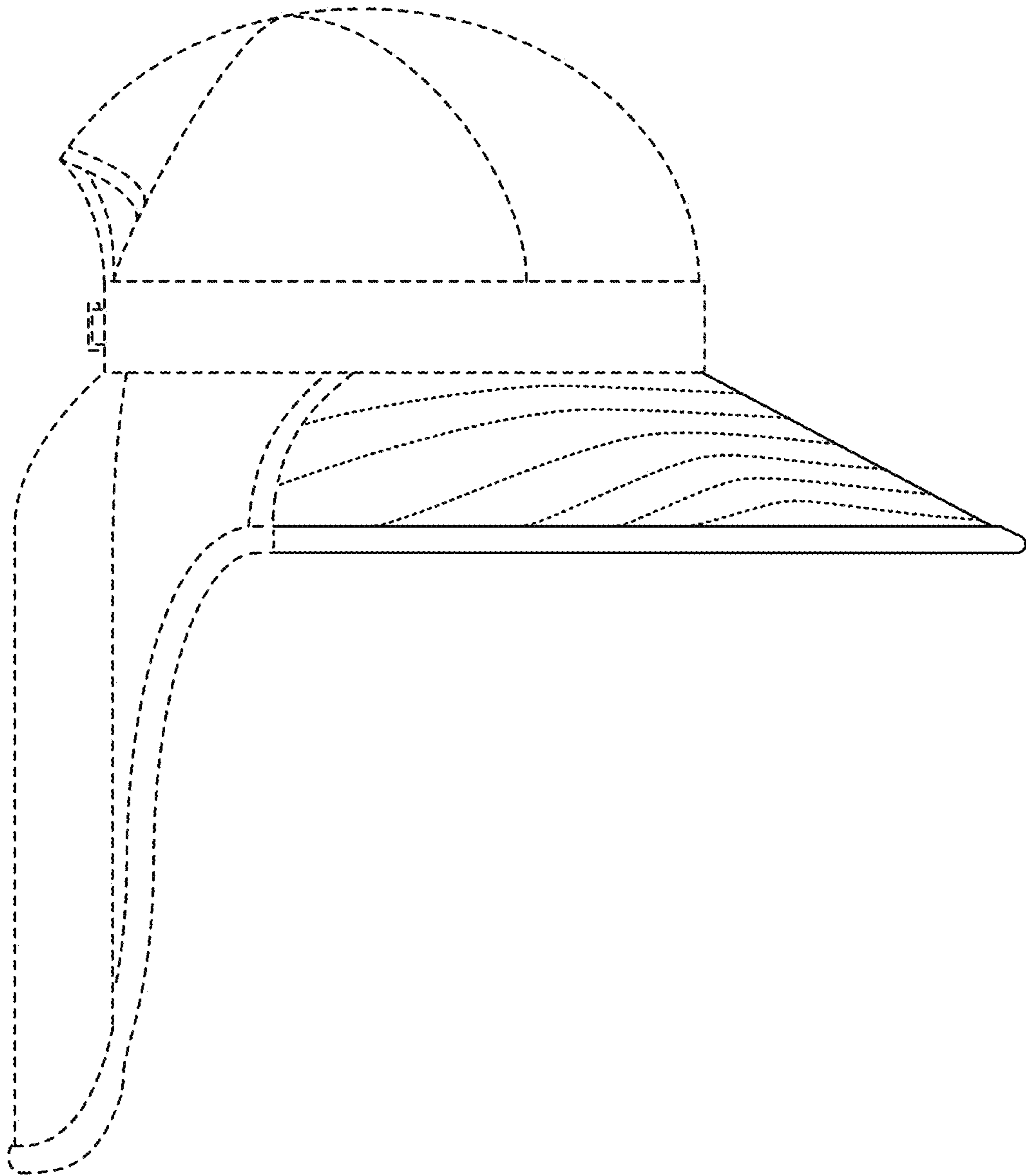


FIG. 4

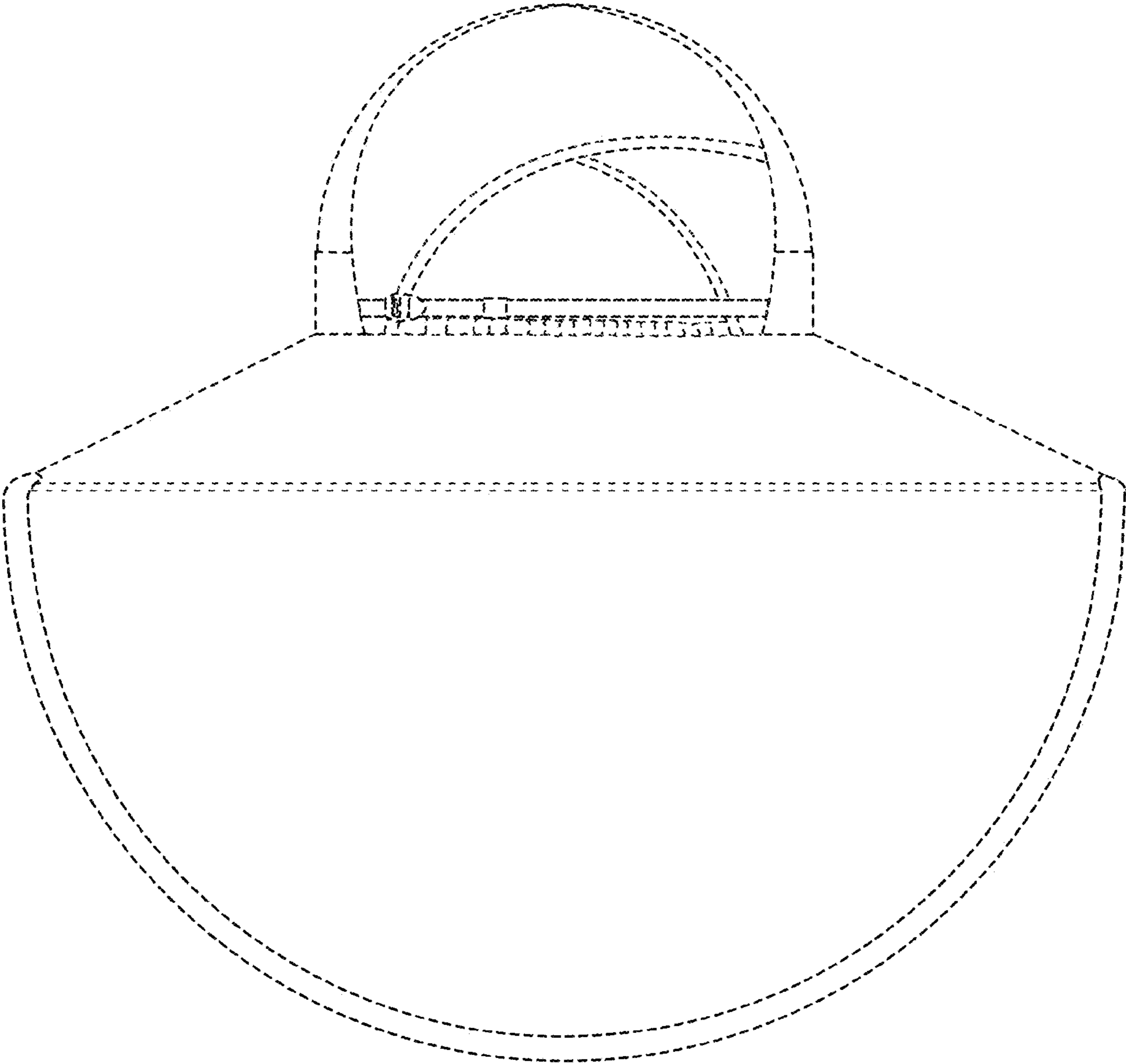


FIG. 5

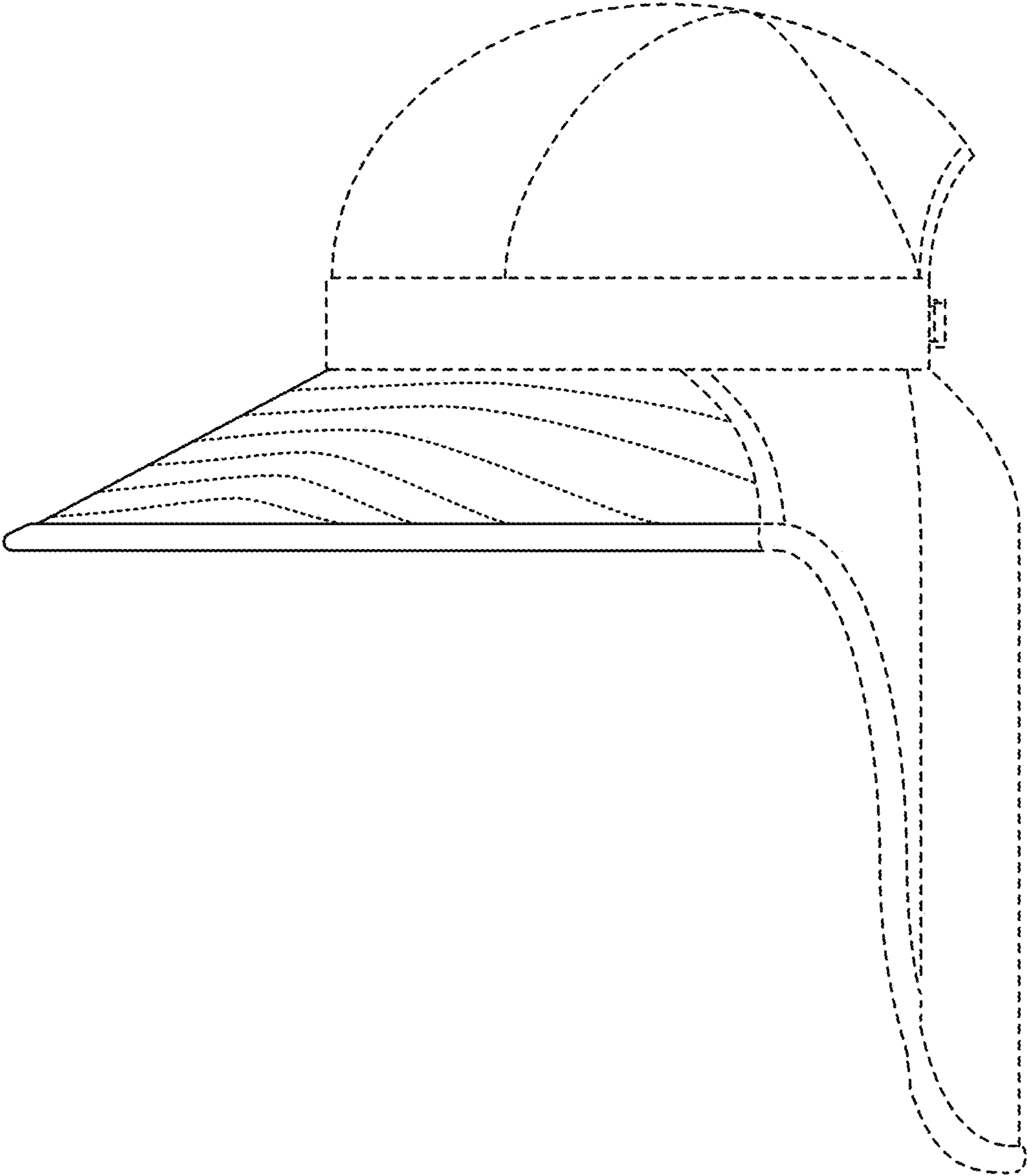


FIG. 6

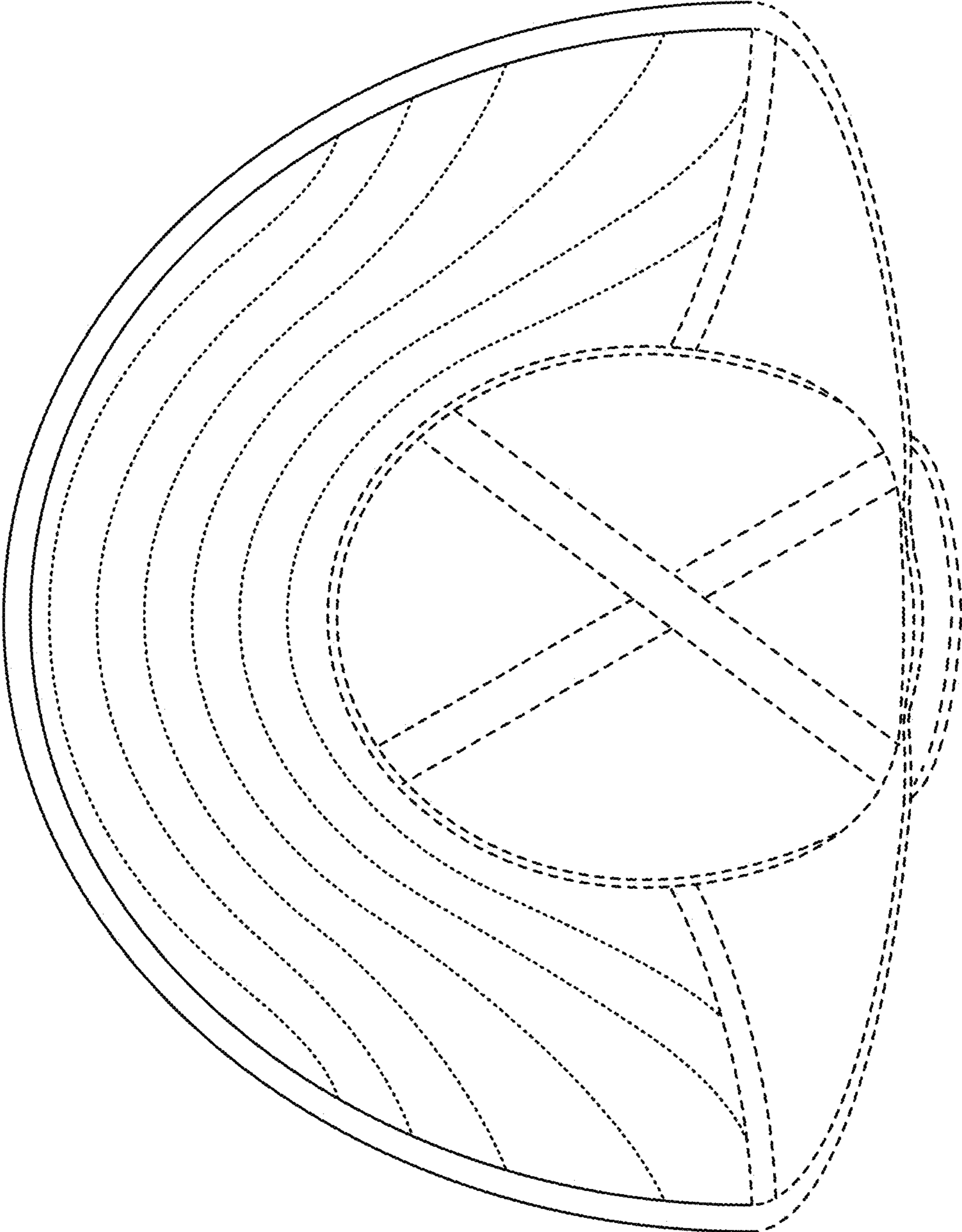


FIG. 7