



US00D904733S

(12) **United States Design Patent**
Young

(10) **Patent No.:** **US D904,733 S**

(45) **Date of Patent:** **** Dec. 15, 2020**

(54) **SHORTS**

(71) Applicant: **LULULEMON ATHLETICA CANADA INC.**, Vancouver (CA)

(72) Inventor: **Bethany Young**, Vancouver (CA)

(**) Term: **15 Years**

(21) Appl. No.: **29/705,263**

(22) Filed: **Sep. 10, 2019**

D821,061 S	6/2018	Do	
D825,144 S *	8/2018	Lorett	D2/742
D848,115 S *	5/2019	Brown	D2/731
D850,063 S *	6/2019	Holmes	D2/853
D866,125 S *	11/2019	Young	D2/731
2013/0048687 A1 *	2/2013	Do	A45F 3/14 224/222
2015/0128331 A1 *	5/2015	Grosse	A41D 13/0017 2/400
2016/0007662 A1 *	1/2016	Powell	A41D 1/002 2/228
2017/0238634 A1	8/2017	Berns et al.	

* cited by examiner

Related U.S. Application Data

(63) Continuation of application No. 29/645,084, filed on Apr. 23, 2018, now Pat. No. Des. 866,125.

(51) **LOC (12) Cl.** **02-02**

(52) **U.S. Cl.**
USPC **D2/731; D2/738**

(58) **Field of Classification Search**
USPC D2/738, 712, 731; 2/228, 238
CPC A41D 1/08; A41D 1/089
See application file for complete search history.

(56) **References Cited**

U.S. PATENT DOCUMENTS

D615,279 S	5/2010	Savage	
D711,626 S	8/2014	Savage	
D714,523 S	10/2014	Stinson et al.	
D742,095 S	11/2015	Savage	
D750,346 S *	3/2016	McManus	D2/742
D764,143 S	8/2016	Gallo et al.	
D786,535 S	5/2017	Grosse	
D803,520 S	11/2017	Kelley et al.	
D816,293 S	5/2018	Miller et al.	

Primary Examiner — Kevin K Rudzinski

Assistant Examiner — J. Thorn, Sr.

(74) *Attorney, Agent, or Firm* — Conneely PC; Joseph Conneely

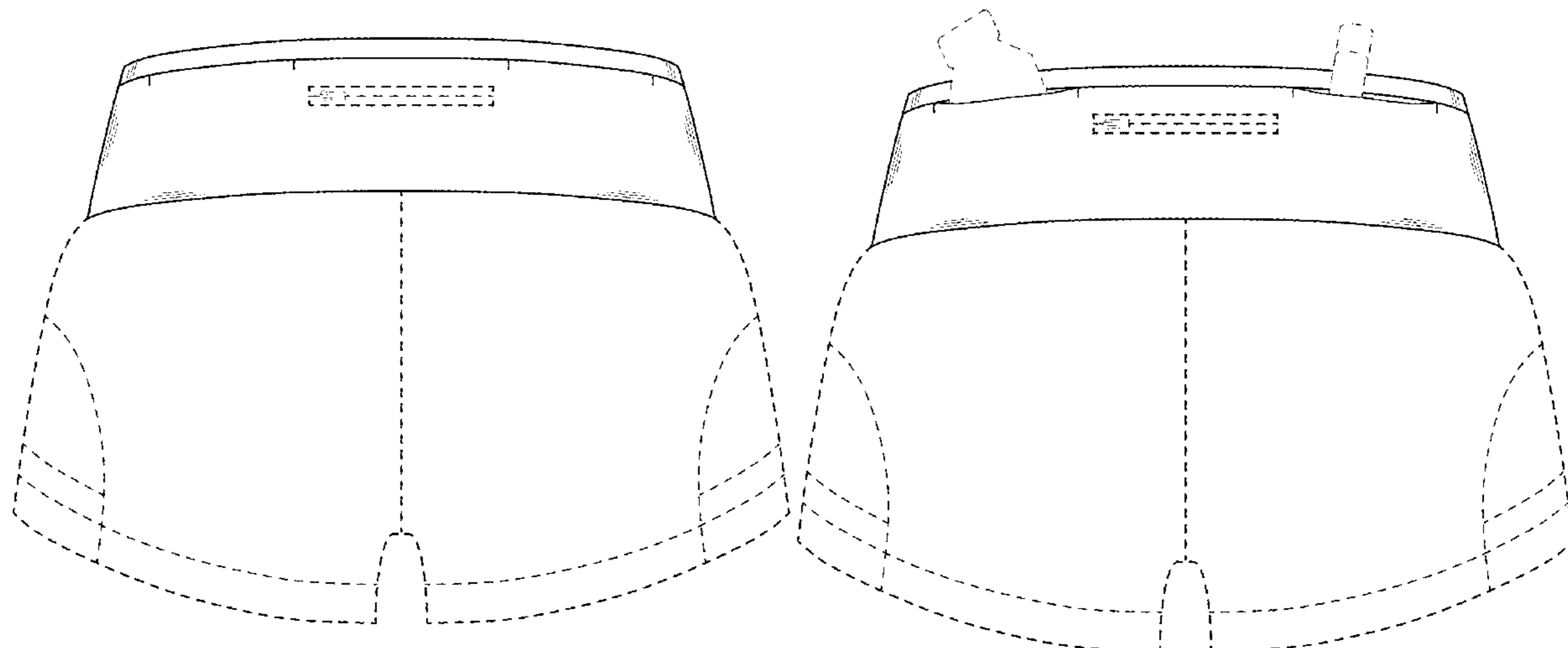
(57) **CLAIM**

The ornamental design for shorts, as shown and described.

DESCRIPTION

FIG. 1 is a front view of shorts according to the design; FIG. 2 is a rear view thereof; FIG. 3 is a right side view thereof; FIG. 4 is a left side view thereof; and, FIG. 5 is a rear view thereof shown in an environment of use. The portions of the shorts shown in broken lines in FIGS. 1-5 do not form part of the claimed design. The broken line showing of the items in the pockets of the waistband of the shorts in FIG. 5 is for the purpose of illustrating portions of the environmental structure and forms no part of the claimed design.

1 Claim, 5 Drawing Sheets



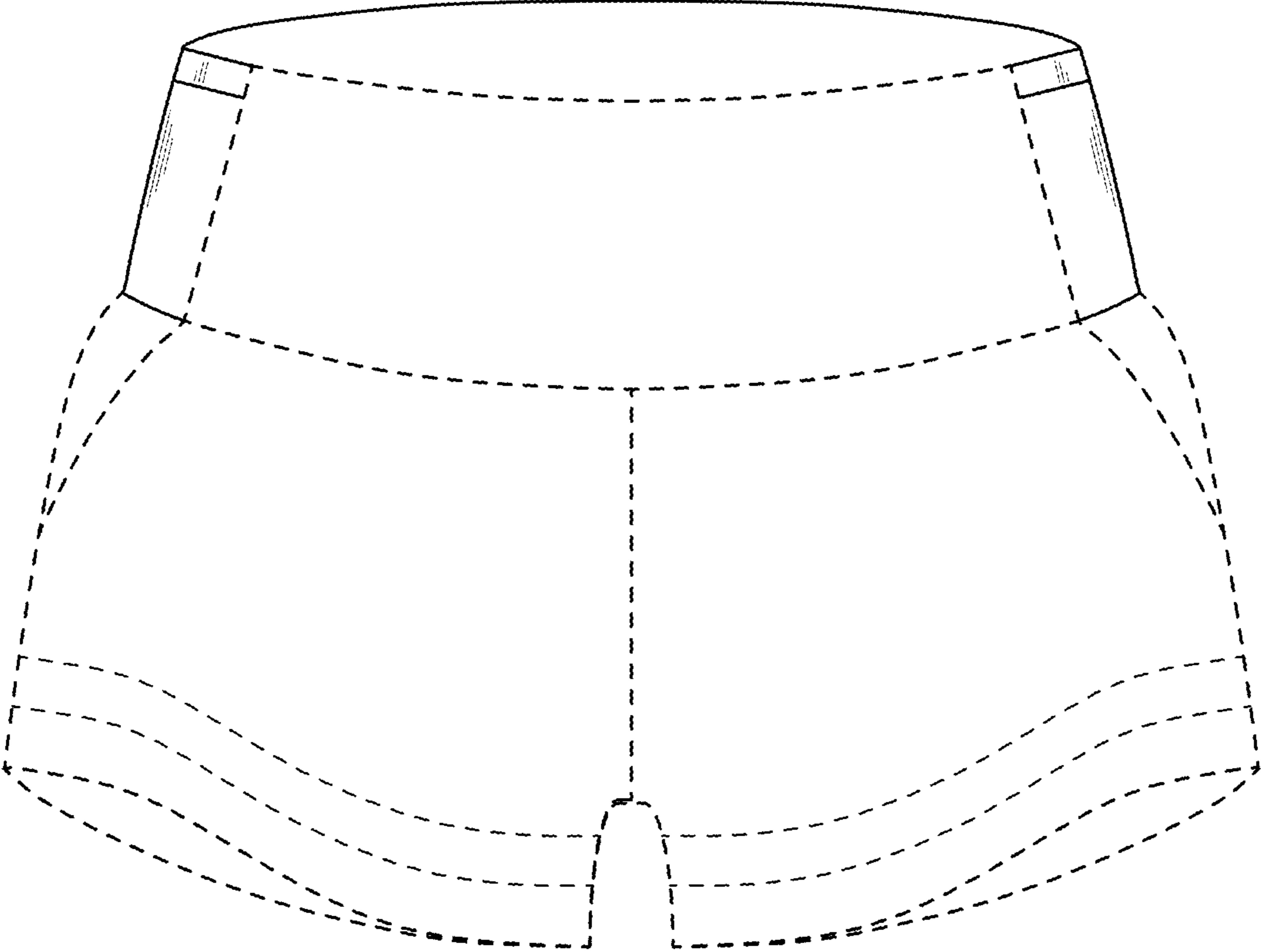


FIG.1

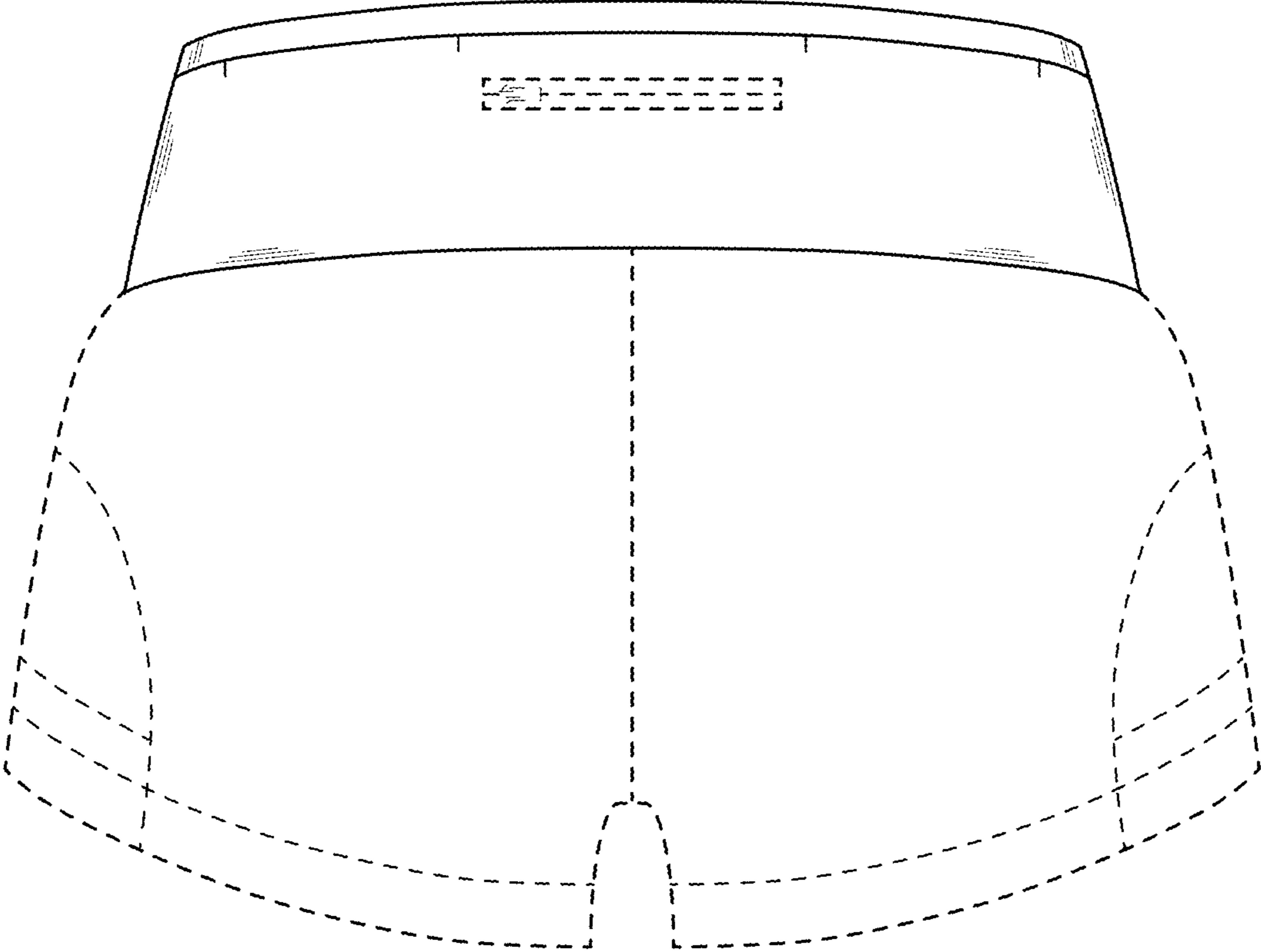


FIG.2

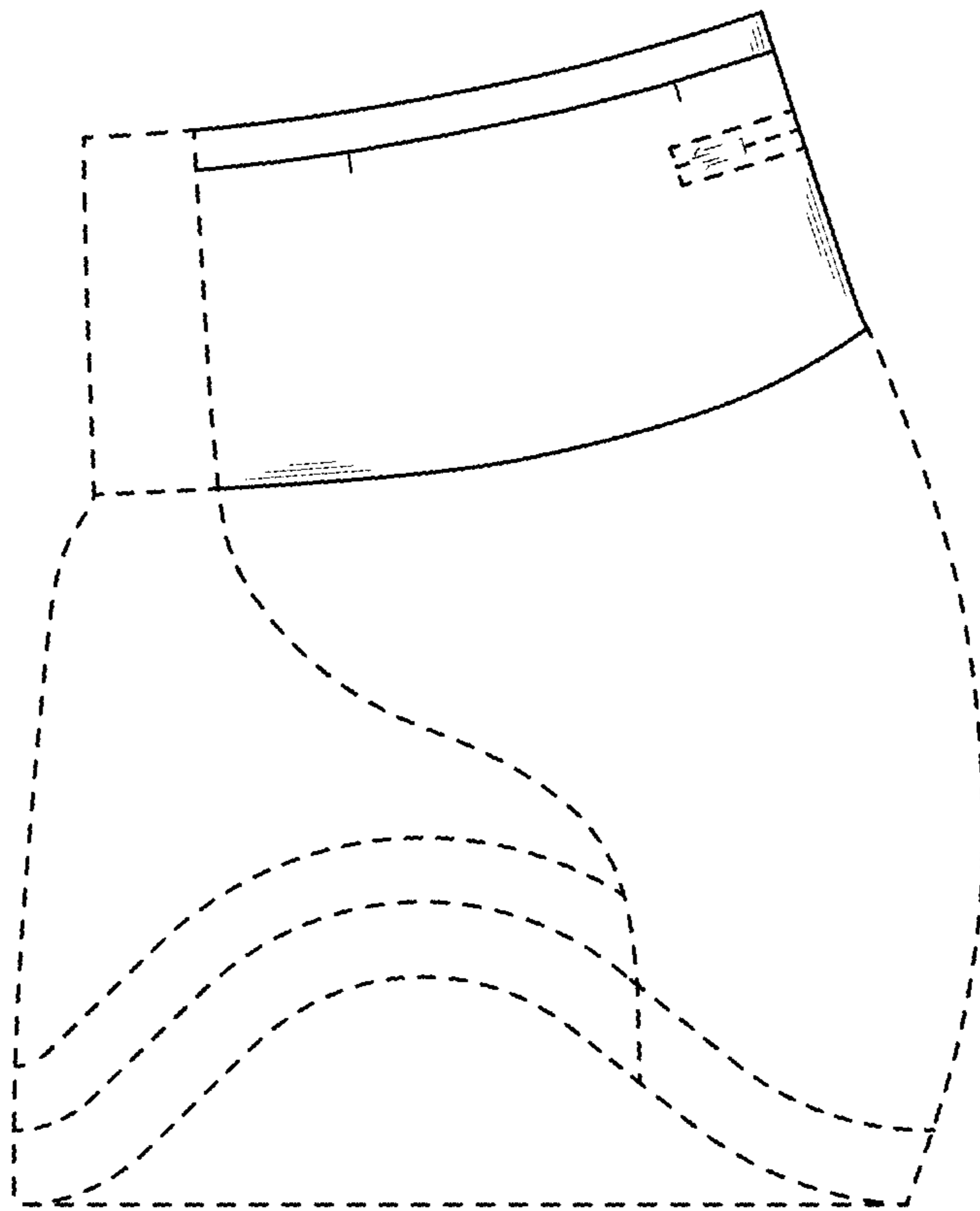


FIG.3

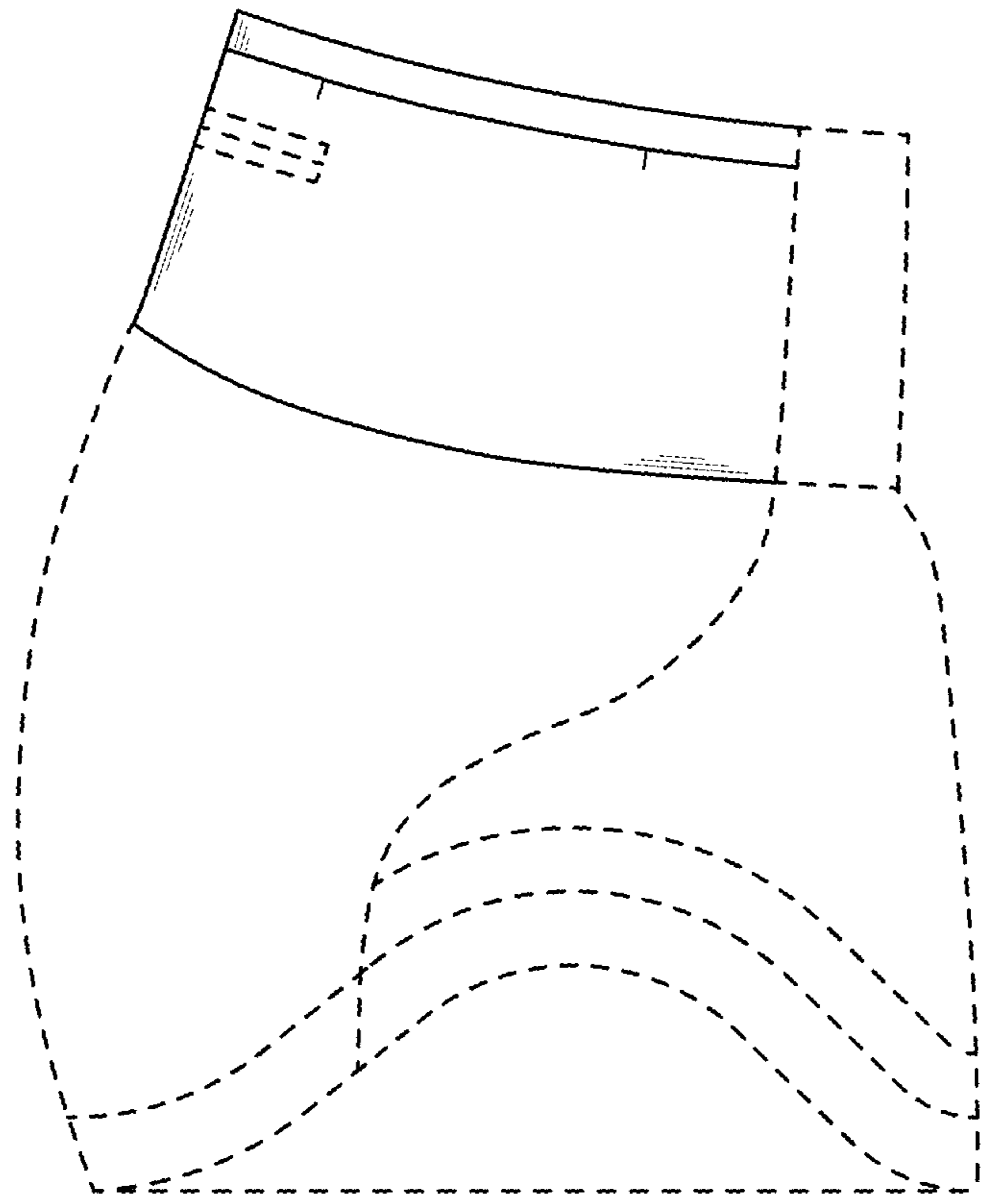


FIG.4

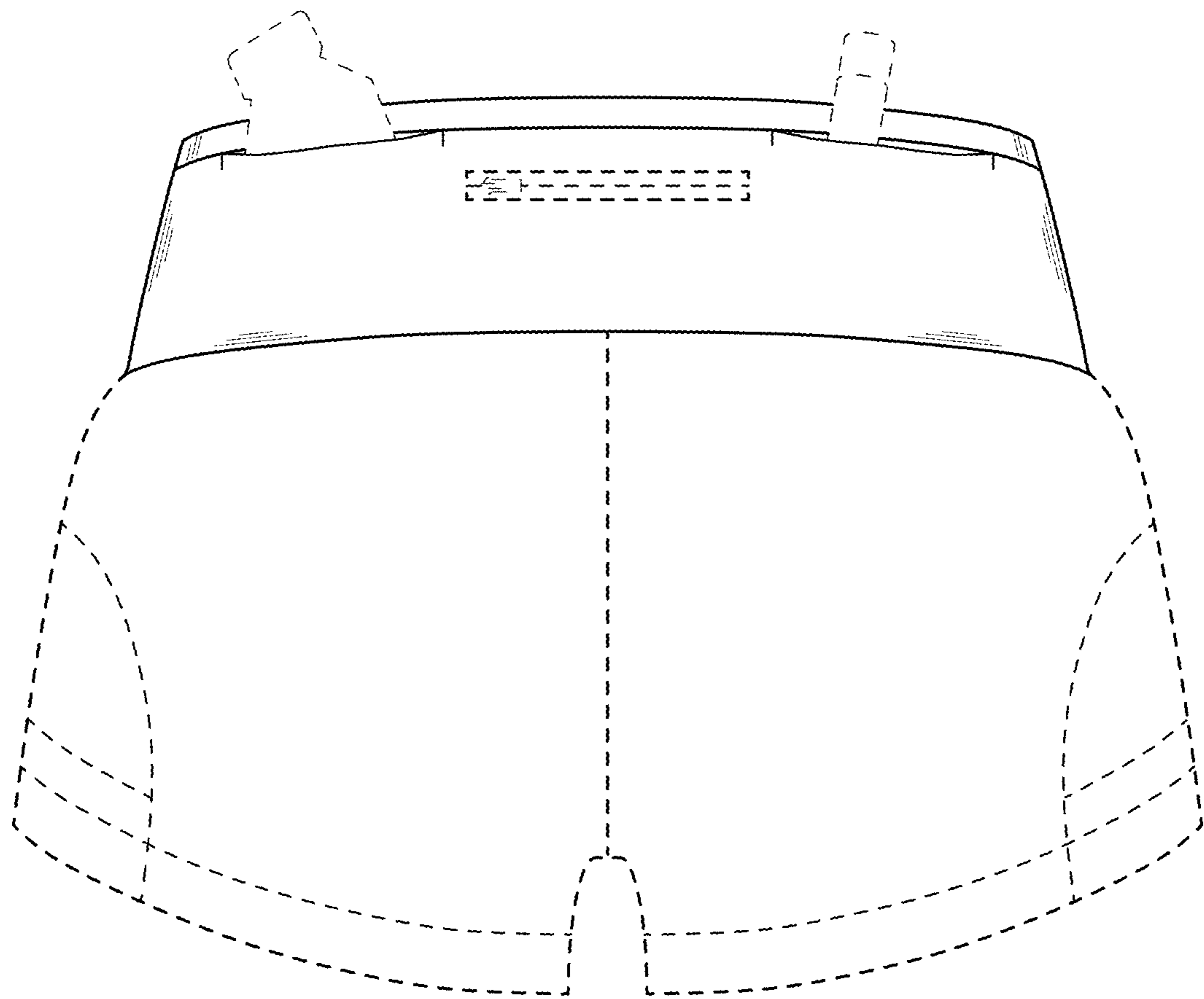


FIG.5