



US00D904725S

(12) **United States Design Patent** (10) **Patent No.:** **US D904,725 S**
Masserant (45) **Date of Patent:** **** Dec. 8, 2020**

(54) **TETRAPOD**

(71) Applicant: **Mid-American Gunite, Inc.**, Newport, MI (US)

(72) Inventor: **Keith P. Masserant**, Newport, MI (US)

(73) Assignee: **Mid-American Gunite, Inc.**, Newport, MI (US)

(**) Term: **15 Years**

(21) Appl. No.: **29/665,648**

(22) Filed: **Oct. 5, 2018**

(51) **LOC (12) Cl.** **11-01**

(52) **U.S. Cl.**
USPC **D99/99**

(58) **Field of Classification Search**
USPC D99/99, 25-27; D19/65; D11/96
CPC Y02E 10/543
See application file for complete search history.

(56) **References Cited**

U.S. PATENT DOCUMENTS

5,091,765	A *	2/1992	Yoshinaka	C30B 29/16 338/15
5,441,726	A *	8/1995	Mitchnick	C09D 7/70 424/59
5,674,802	A *	10/1997	Sheppard	B01J 19/30 502/439
5,693,236	A *	12/1997	Okumura	C09K 3/18 216/11
D420,572	S *	2/2000	Warner	D11/79
D501,262	S *	1/2005	Kling	D26/2
D503,011	S *	3/2005	Schonbek	D26/154
D503,990	S *	4/2005	Bacon	D26/32
D550,586	S *	9/2007	Tsai	D11/117

D687,491	S *	8/2013	Loebach	D19/181
D743,826	S *	11/2015	Schrade	D10/116.1
D824,634	S *	7/2018	Hall	D99/25
2013/0269762	A1 *	10/2013	Cui	H01L 31/03528 136/255

OTHER PUBLICATIONS

Growth and optical properties of of peculiar ZnO tetrapods, IOPscience website article May 5, 2006, iopscience.iop.org, site visited Nov. 4, 2019.*
ZnO tetrapod nanocrystals, Sciencedirect website, article date May 2007, www.sciencedirect.com. site visited Nov. 4, 2019.*

* cited by examiner

Primary Examiner — John R Yeh

(74) *Attorney, Agent, or Firm* — Quinn IP Law

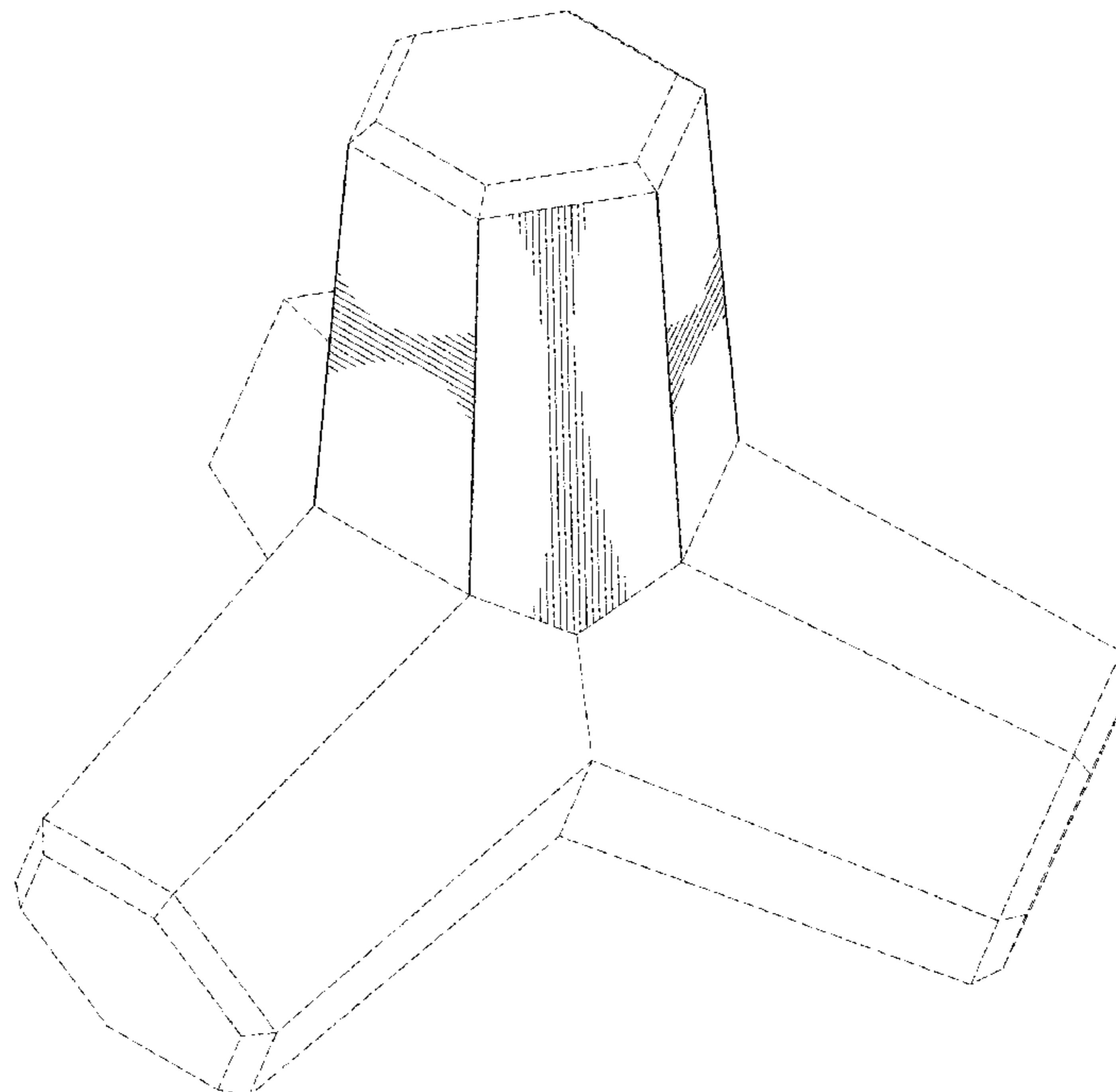
(57) **CLAIM**

The ornamental design for a tetrapod, as shown and described.

DESCRIPTION

FIG. 1 is a front perspective view of a tetrapod in a first aspect of the disclosure;
FIG. 2 is a front elevation view of the tetrapod of FIG. 1;
FIG. 3 is a rear elevation view of the tetrapod of FIG. 1;
FIG. 4 is a right side view of the tetrapod of FIG. 1;
FIG. 5 is a left side view of the tetrapod of FIG. 1;
FIG. 6 is a top view of the tetrapod of FIG. 1; and,
FIG. 7 is a bottom view of the tetrapod of FIG. 1;
The broken lines represent structure or features that form no part of the claimed design.

1 Claim, 7 Drawing Sheets



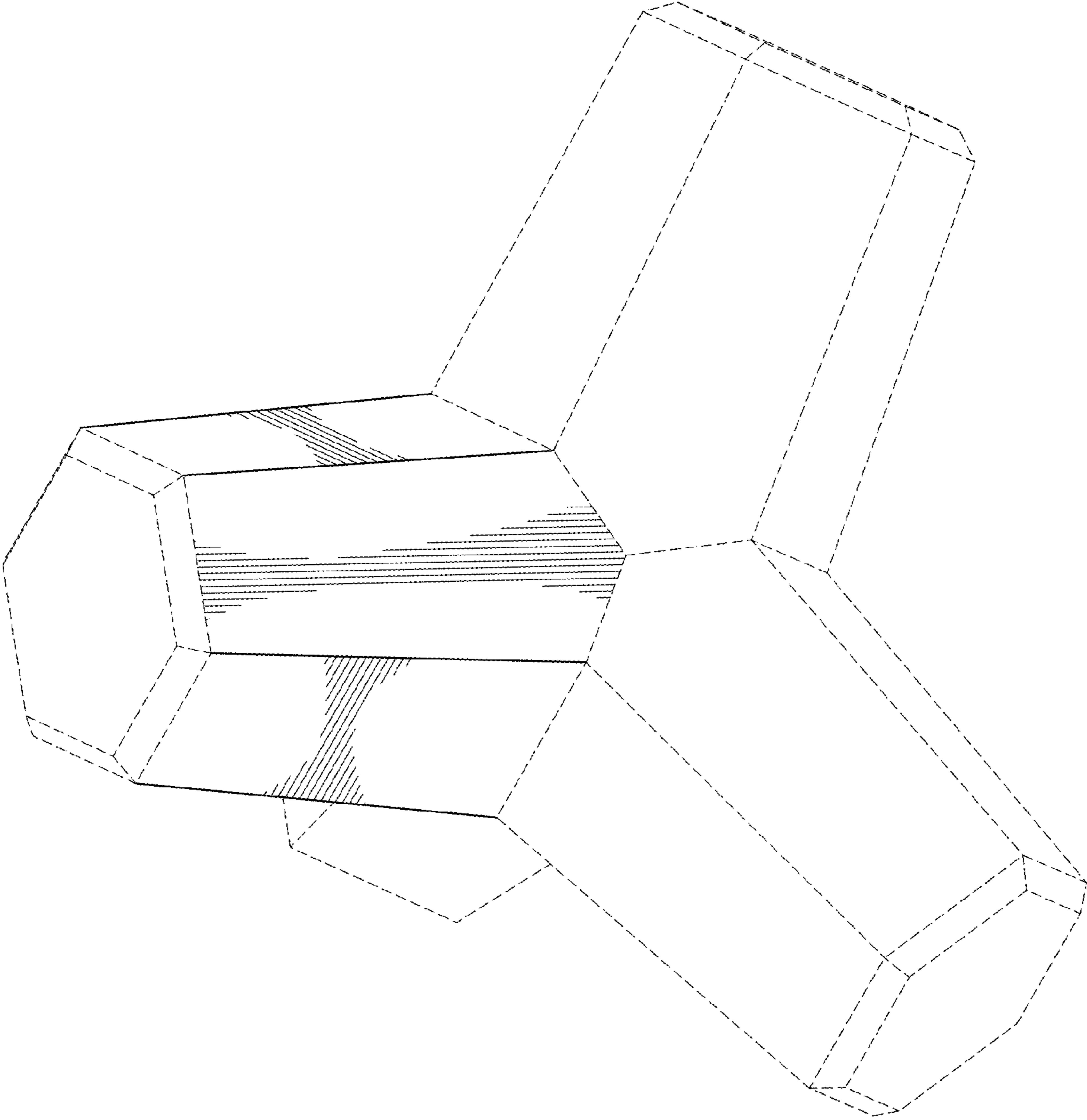


FIG. 1

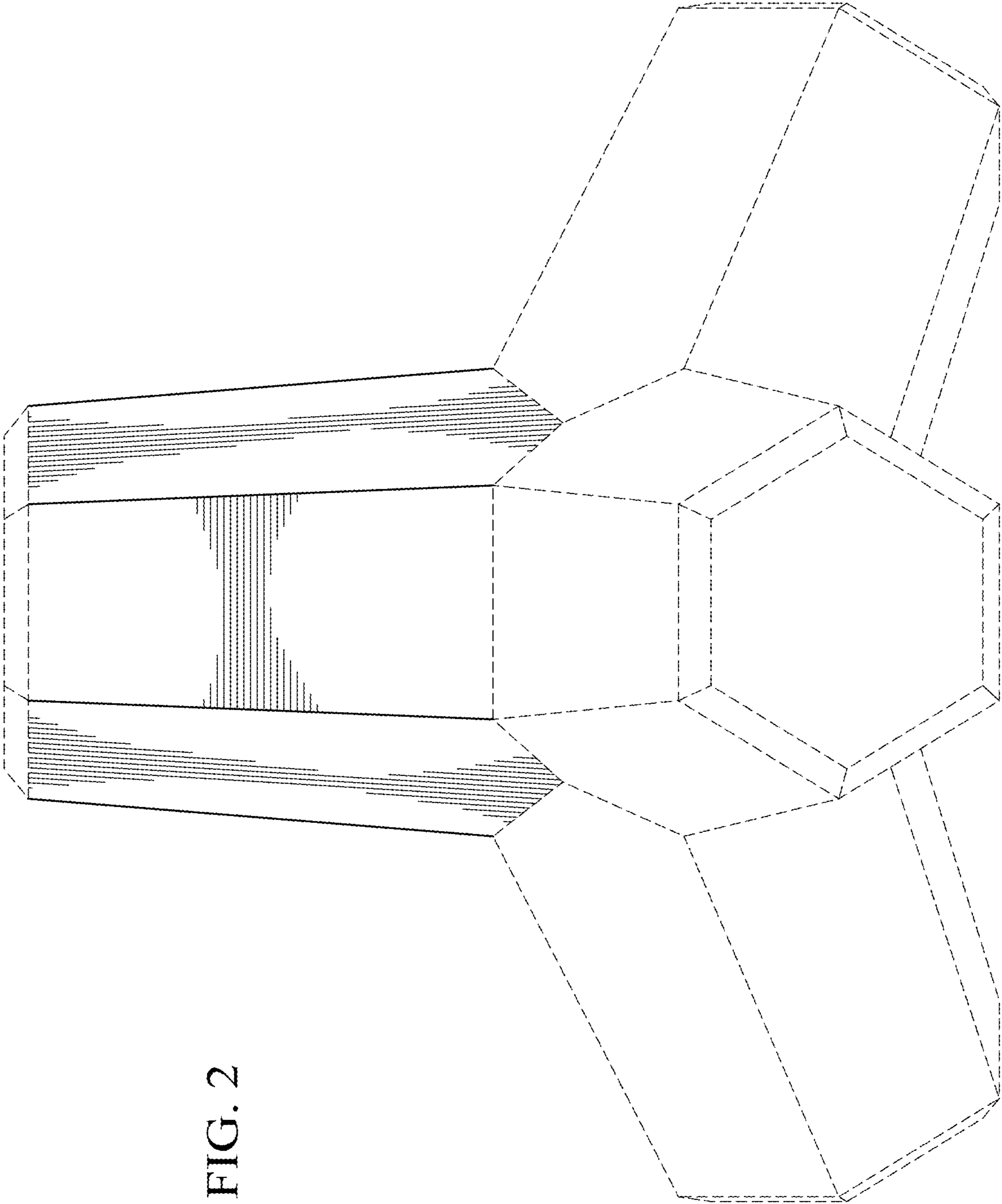


FIG. 2

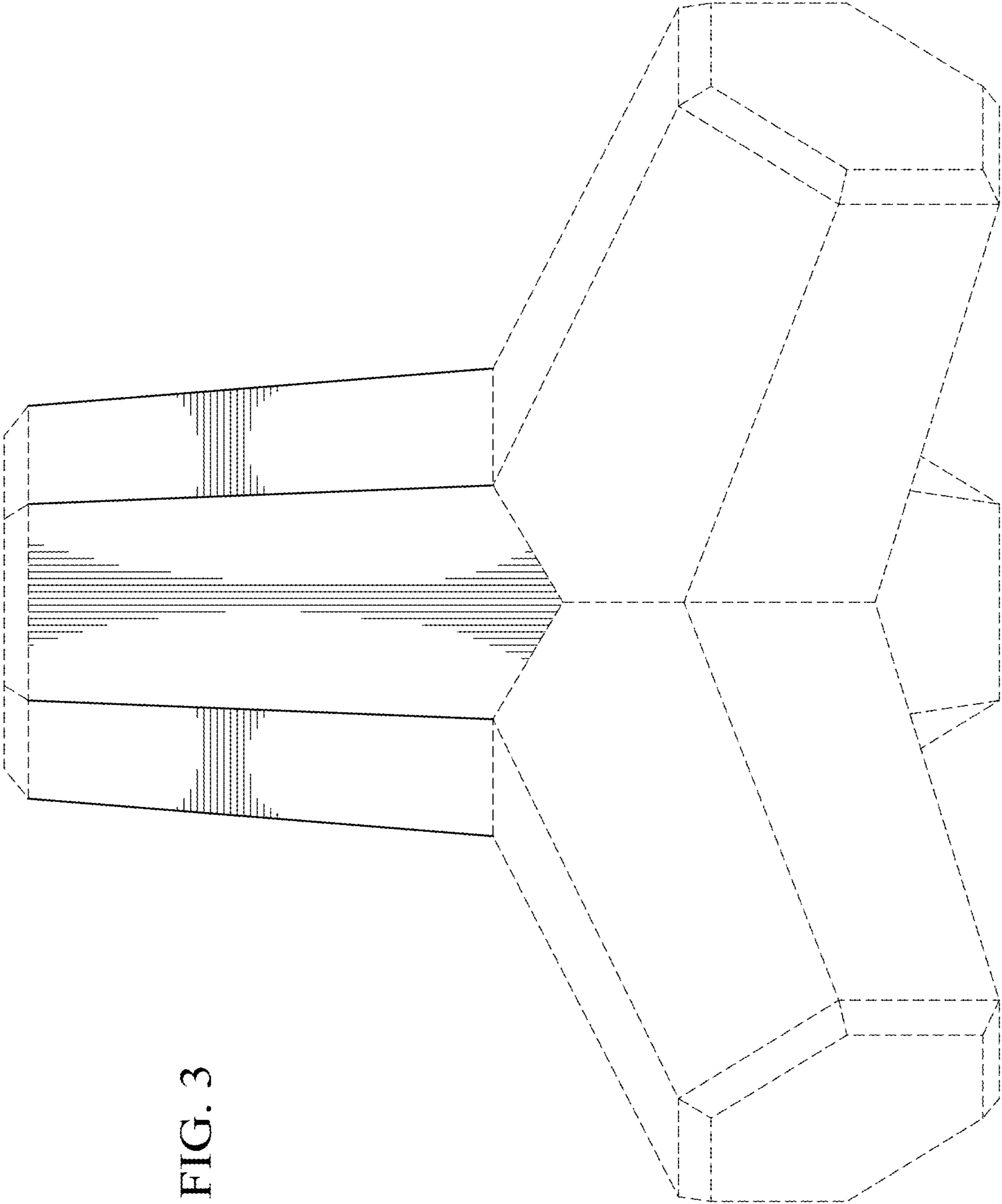


FIG. 3

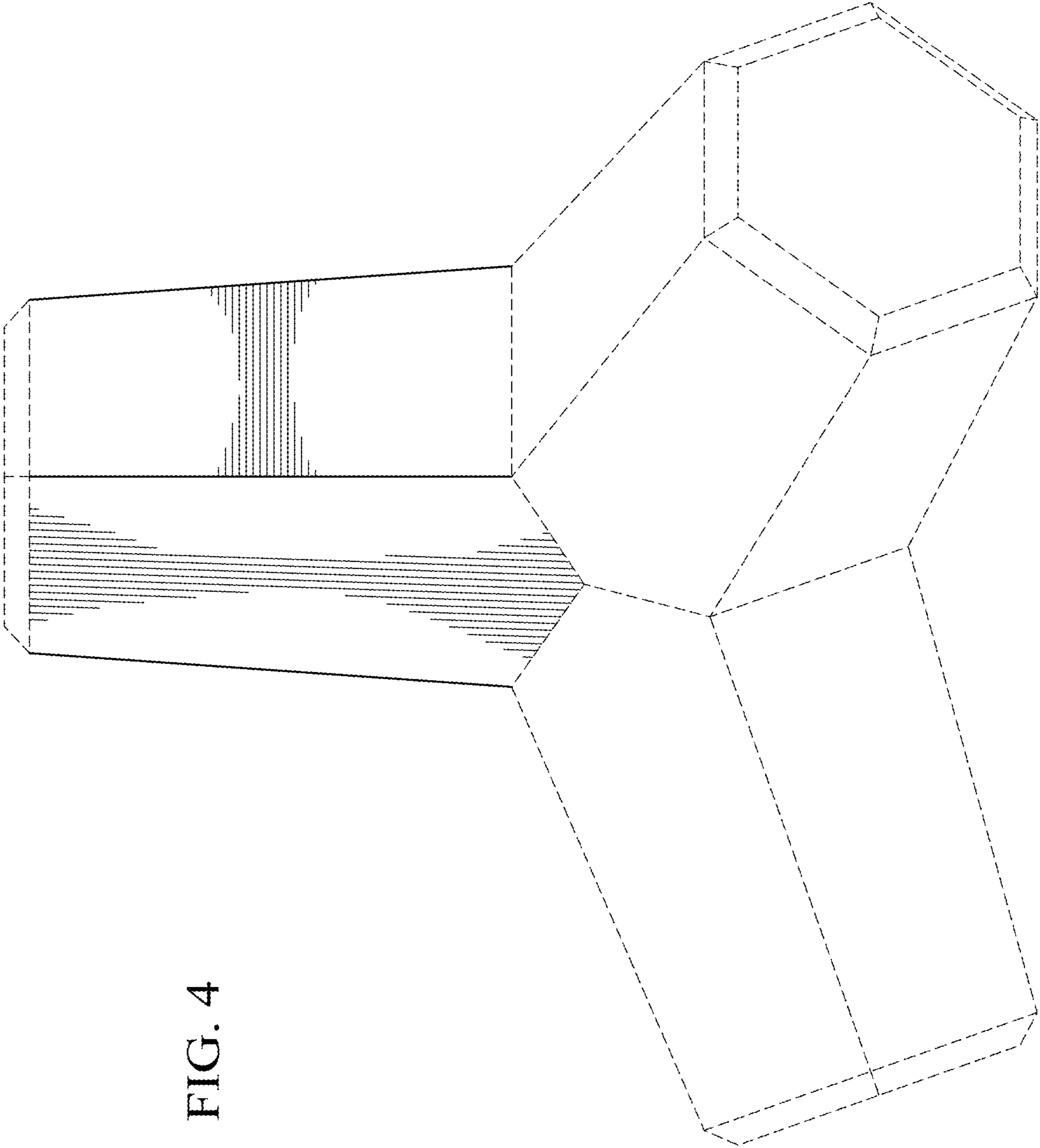


FIG. 4

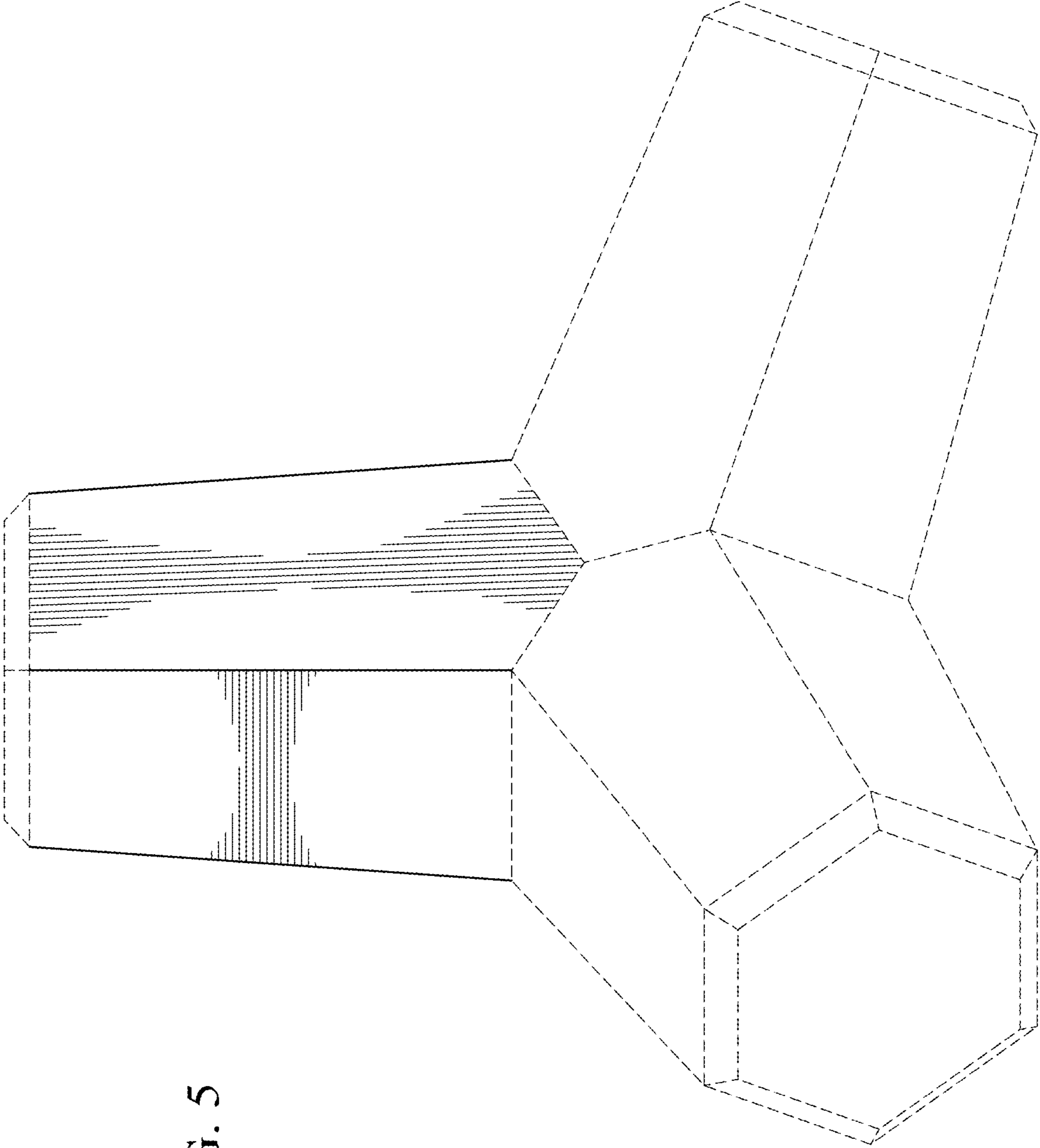


FIG. 5

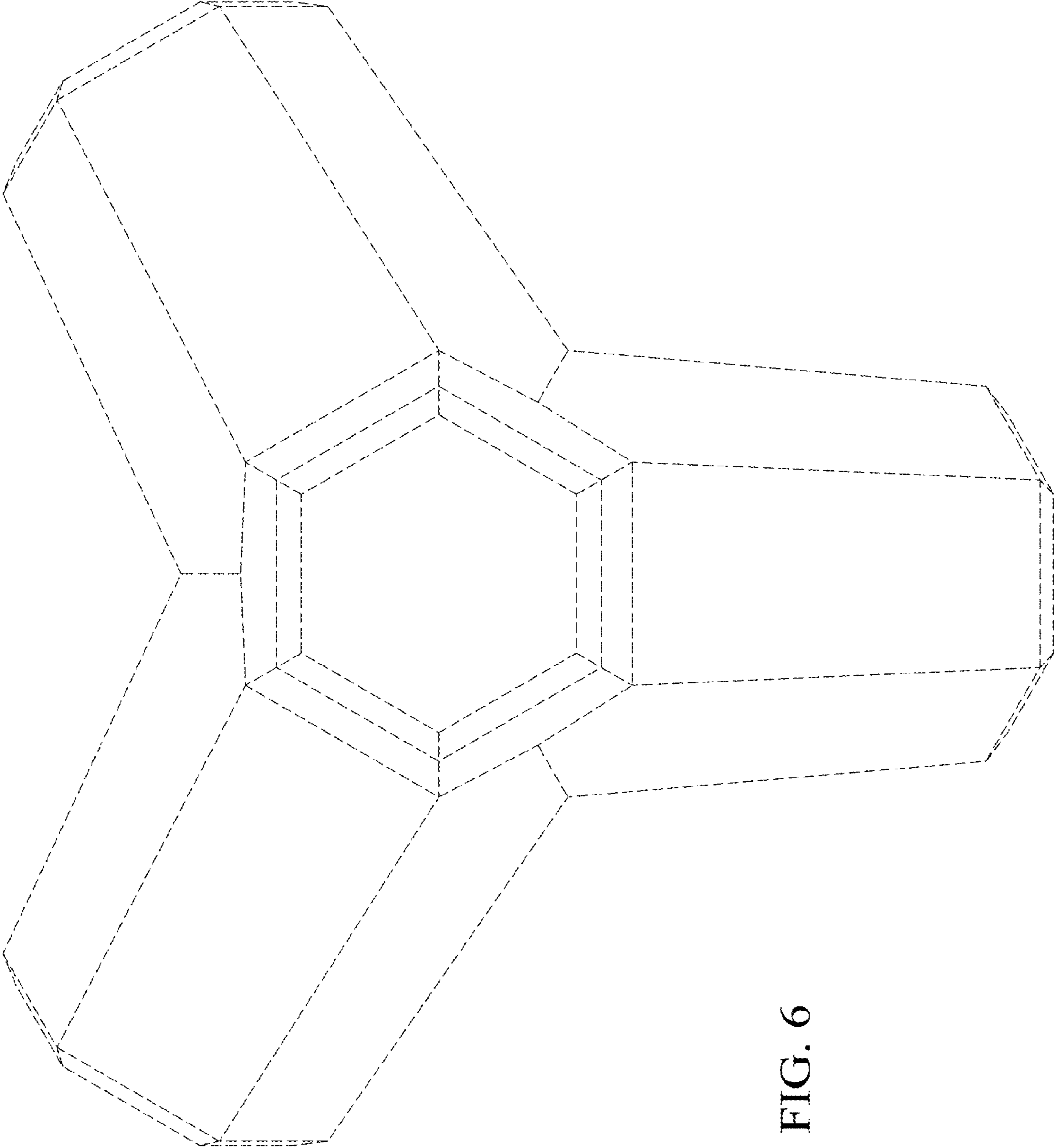


FIG. 6

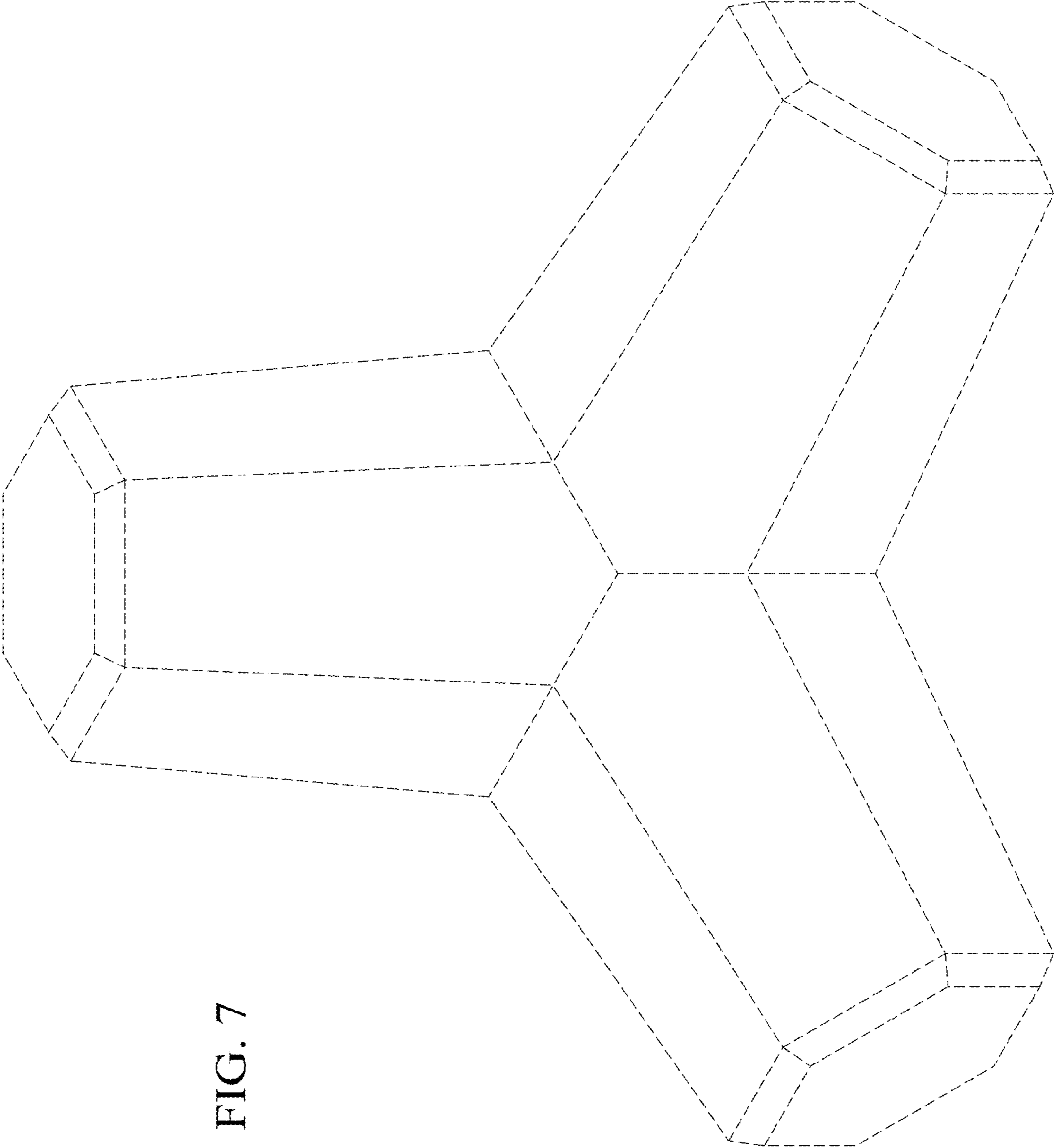


FIG. 7

UNITED STATES PATENT AND TRADEMARK OFFICE
CERTIFICATE OF CORRECTION

PATENT NO. : D904,725 S
APPLICATION NO. : 29/665648
DATED : December 8, 2020
INVENTOR(S) : Keith P. Masserant

Page 1 of 1

It is certified that error appears in the above-identified patent and that said Letters Patent is hereby corrected as shown below:

On the Title Page

Item (73) The assignee name Mid-American Gunitite, Inc. should read --Mid-American Gunitite, Inc.
DBA Mid-American Group--

Signed and Sealed this
Second Day of March, 2021



Drew Hirshfeld
*Performing the Functions and Duties of the
Under Secretary of Commerce for Intellectual Property and
Director of the United States Patent and Trademark Office*