



US00D904724S

(12) **United States Design Patent** (10) **Patent No.:** **US D904,724 S**
Zhang (45) **Date of Patent:** **** Dec. 8, 2020**

(54) **SAFE**

FOREIGN PATENT DOCUMENTS

(71) Applicant: **Shenzhen Xingchen Technology Co., Ltd.**, Shenzhen (CN)

JP D1500819 * 6/2014

(72) Inventor: **Chen Zhang**, Guangdong (CN)

OTHER PUBLICATIONS

(**) Term: **15 Years**

VAULTEK Pro VE Essential Series Safe—gunsafenow website 2020, https://www.gunsafenow.com/VAULTEKPROVE.aspx?gclid=EAlalQobChM1a3lz9St6glVGKSzCh01Bgt6EakYEyABEgLC9PD_BwE, site visited Jul. 1, 2020.*

(21) Appl. No.: **29/732,627**

(22) Filed: **Apr. 27, 2020**

Primary Examiner — John R Yeh

(51) **LOC (12) Cl.** **25-02**

(74) *Attorney, Agent, or Firm* — ZANIP

(52) **U.S. Cl.**

USPC **D99/28**

(58) **Field of Classification Search**

USPC D99/28, 34–36; D13/184; D18/3.2; D9/414, 420

CPC E05B 65/00; B65D 55/14

See application file for complete search history.

(57) **CLAIM**

The ornamental design for a safe, as shown and described.

(56) **References Cited**

DESCRIPTION

U.S. PATENT DOCUMENTS

6,006,558	A *	12/1999	Peters	A45C 1/00
					109/53
D423,464	S *	4/2000	Witte	D13/184
D481,850	S *	11/2003	Magee	D99/28
D482,056	S *	11/2003	Bergeron	D18/3.3
D489,158	S *	4/2004	Magee	D99/28
D542,529	S *	5/2007	Peart	D3/276
D551,847	S *	10/2007	Yeap	D3/201
D569,616	S *	5/2008	Lin	D3/273
D571,524	S *	6/2008	Kang	D99/28
7,401,698	B2 *	7/2008	Dost	B25H 3/02
					206/349
D590,244	S *	4/2009	Demalsche	D9/414
D635,324	S	3/2011	Plato		
D644,815	S *	9/2011	Helm	D99/34
D719,344	S *	12/2014	Miller	D3/203.1
D721,231	S *	1/2015	Steele	D3/282
D732,264	S *	6/2015	Hine	D99/28
D747,065	S *	1/2016	Chap	D99/28
D752,314	S *	3/2016	Nachtman	D99/28
D754,436	S *	4/2016	Ou	D3/282

FIG. 1 is a front and top perspective view of a safe, showing my new design;

FIG. 2 is a rear and bottom perspective view thereof;

FIG. 3 is a front elevational view thereof;

FIG. 4 is a rear elevational view thereof;

FIG. 5 is a left side elevational view thereof;

FIG. 6 is a right side elevational view thereof;

FIG. 7 is a top plan view thereof;

FIG. 8 is a bottom plan view thereof;

FIG. 9 is a perspective view thereof, showing the safe in an open position;

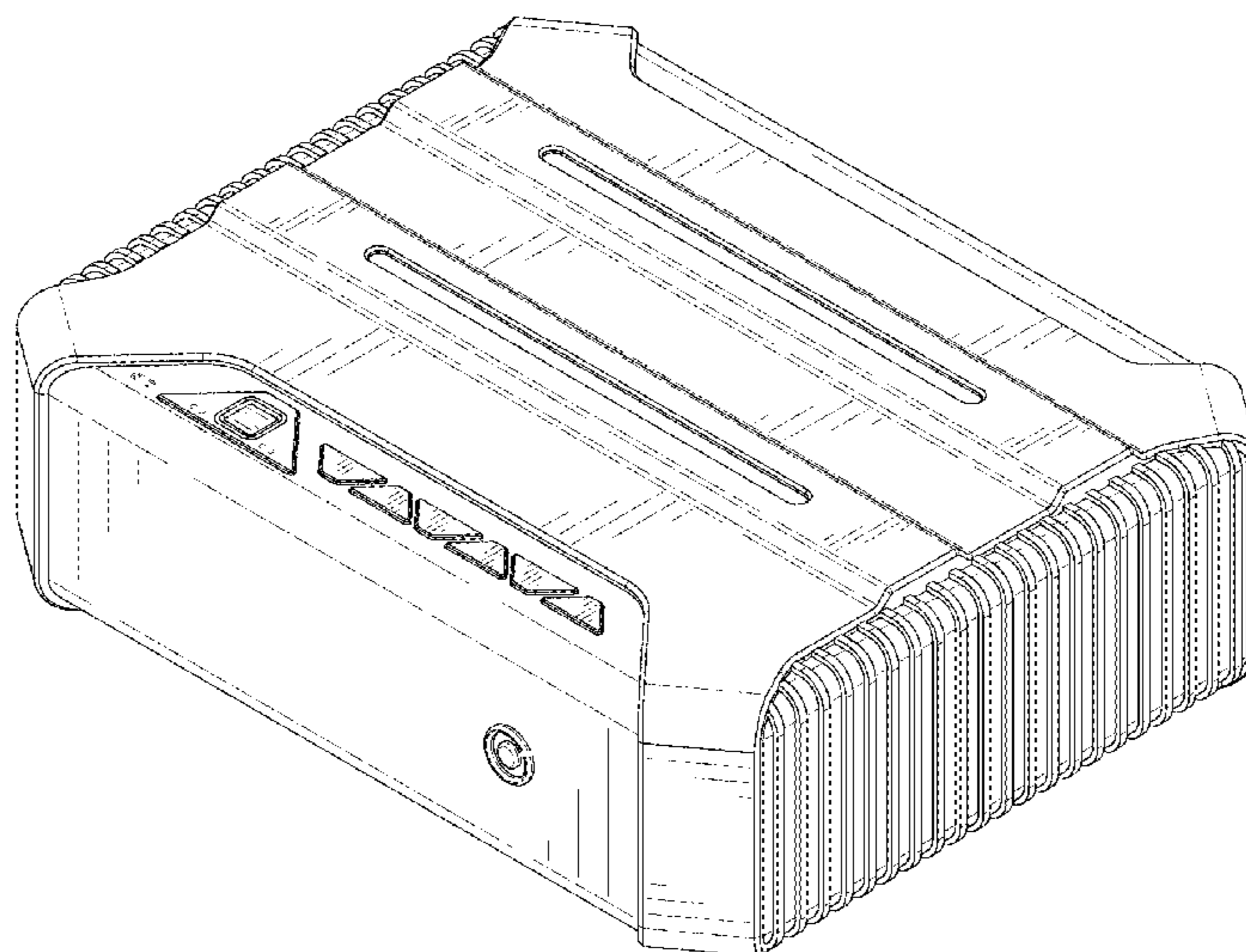
FIG. 10 is an enlarged view of a portion labeled “FIG. 10” in FIG. 1; and,

FIG. 11 is an enlarged view of a portion labeled “FIG. 11” in FIG. 3.

The dashed broken lines in the figures illustrate portions of the article that form no part of the claimed design. The dot-dash-dot lines in FIGS. 1, 3, 10 and 11 represent cutting lines of enlarged views and form no part of the claimed design.

(Continued)

1 Claim, 11 Drawing Sheets



(56)

References Cited

U.S. PATENT DOCUMENTS

D789,086	S *	6/2017	Lin	D3/294
D803,508	S *	11/2017	Horn	D99/28
10,253,529	B1 *	4/2019	McGinn	E05G 1/04
D852,657	S *	7/2019	Made	D10/75
D857,389	S *	8/2019	Hsiao	D3/294
D882,390	S *	4/2020	Sun	D9/414
2006/0108252	A1 *	5/2006	Lax	A45C 11/00 206/470
2006/0137412	A1 *	6/2006	Holloway	E05G 1/06 70/63

* cited by examiner

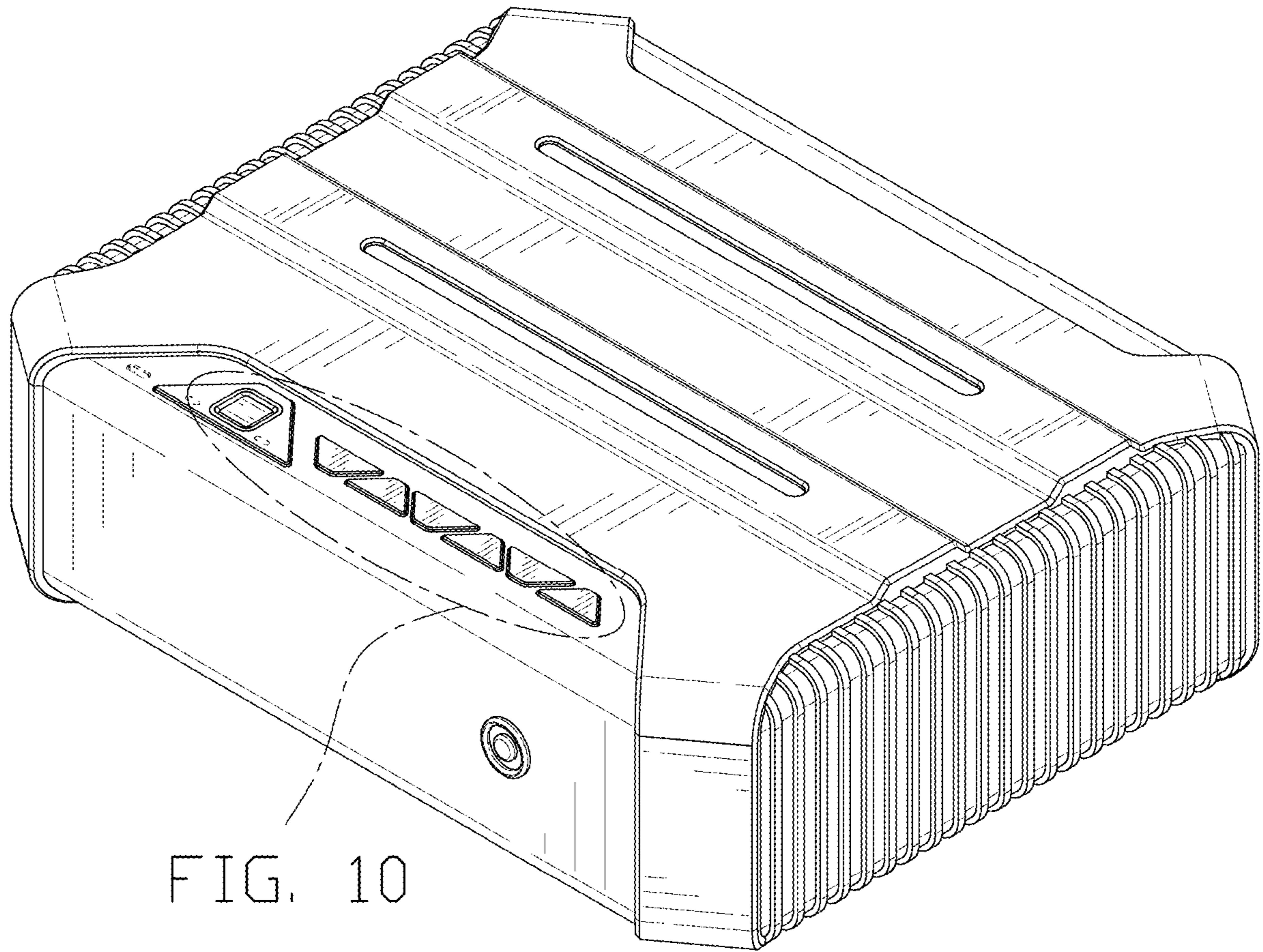


FIG. 10

FIG. 1

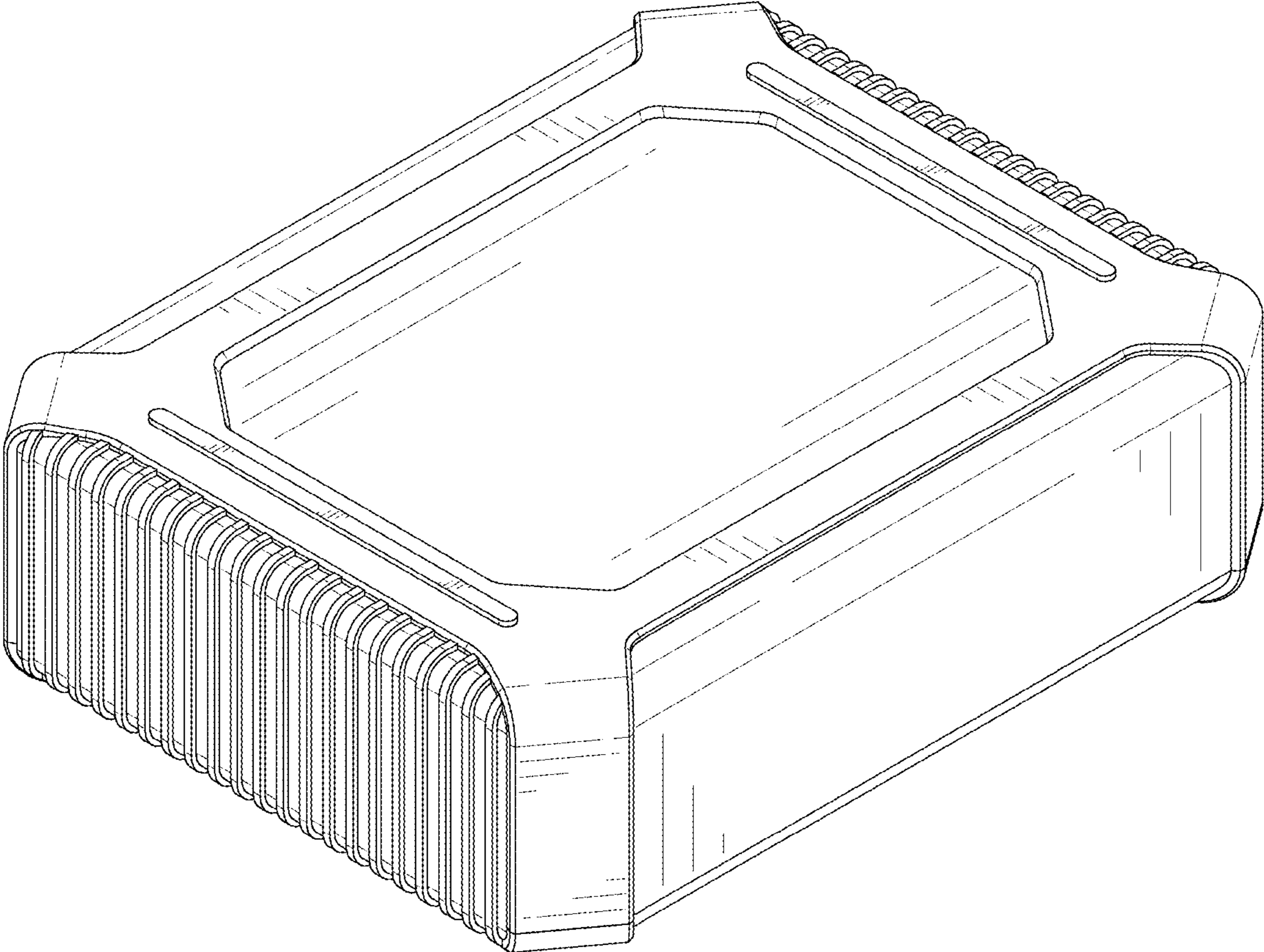


FIG. 2

FIG. 11

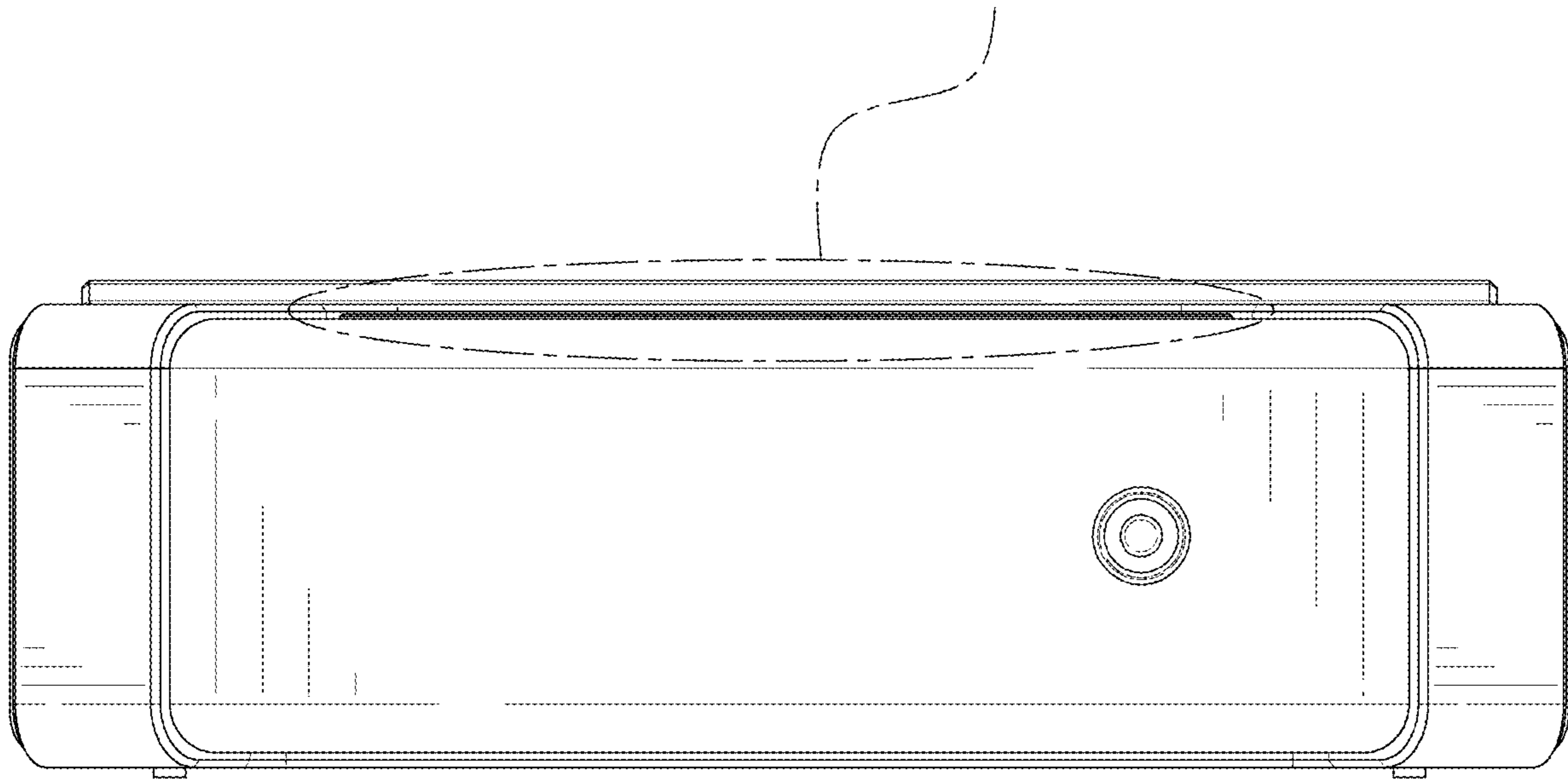


FIG. 3

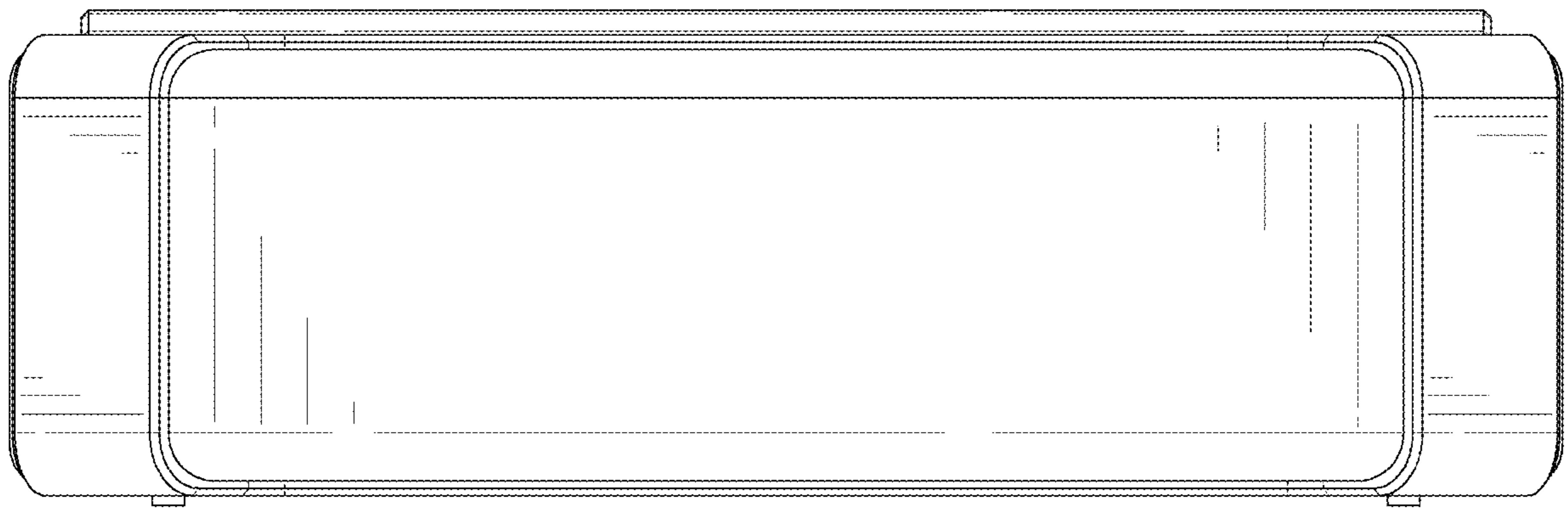


FIG. 4

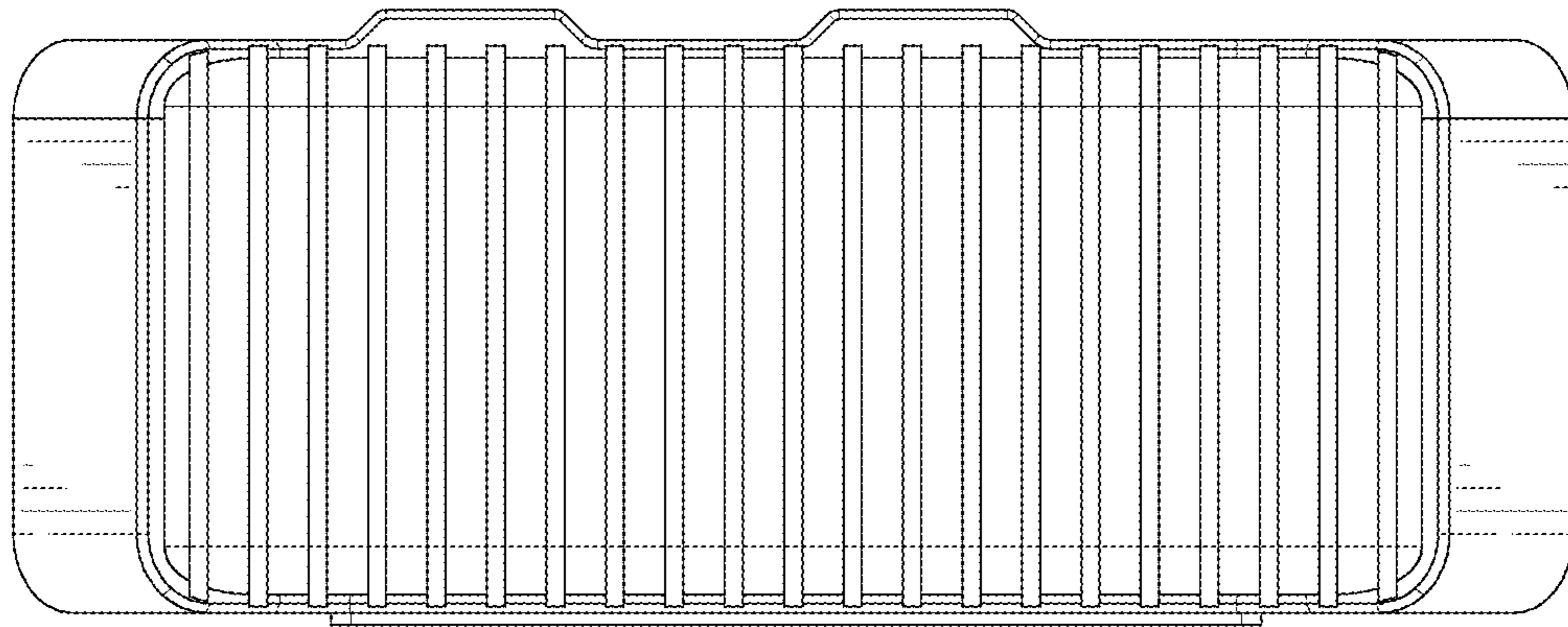


FIG. 5

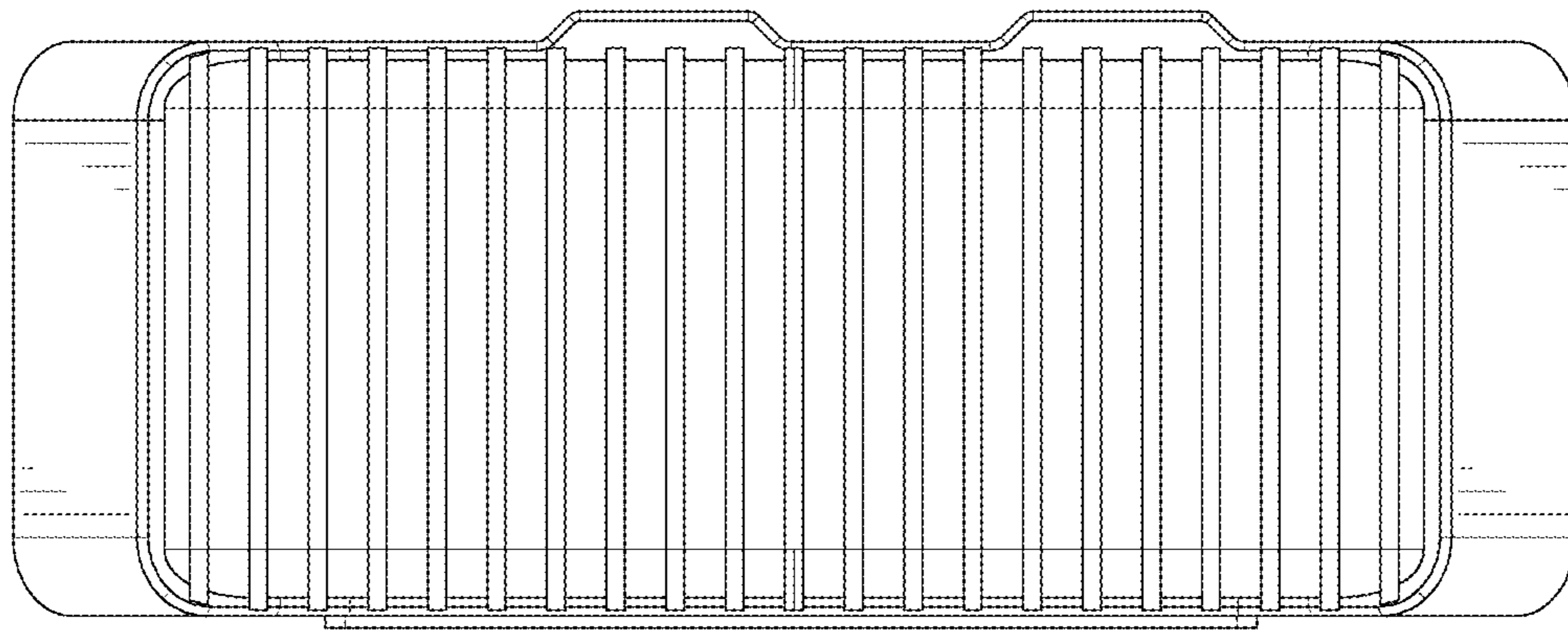


FIG. 6

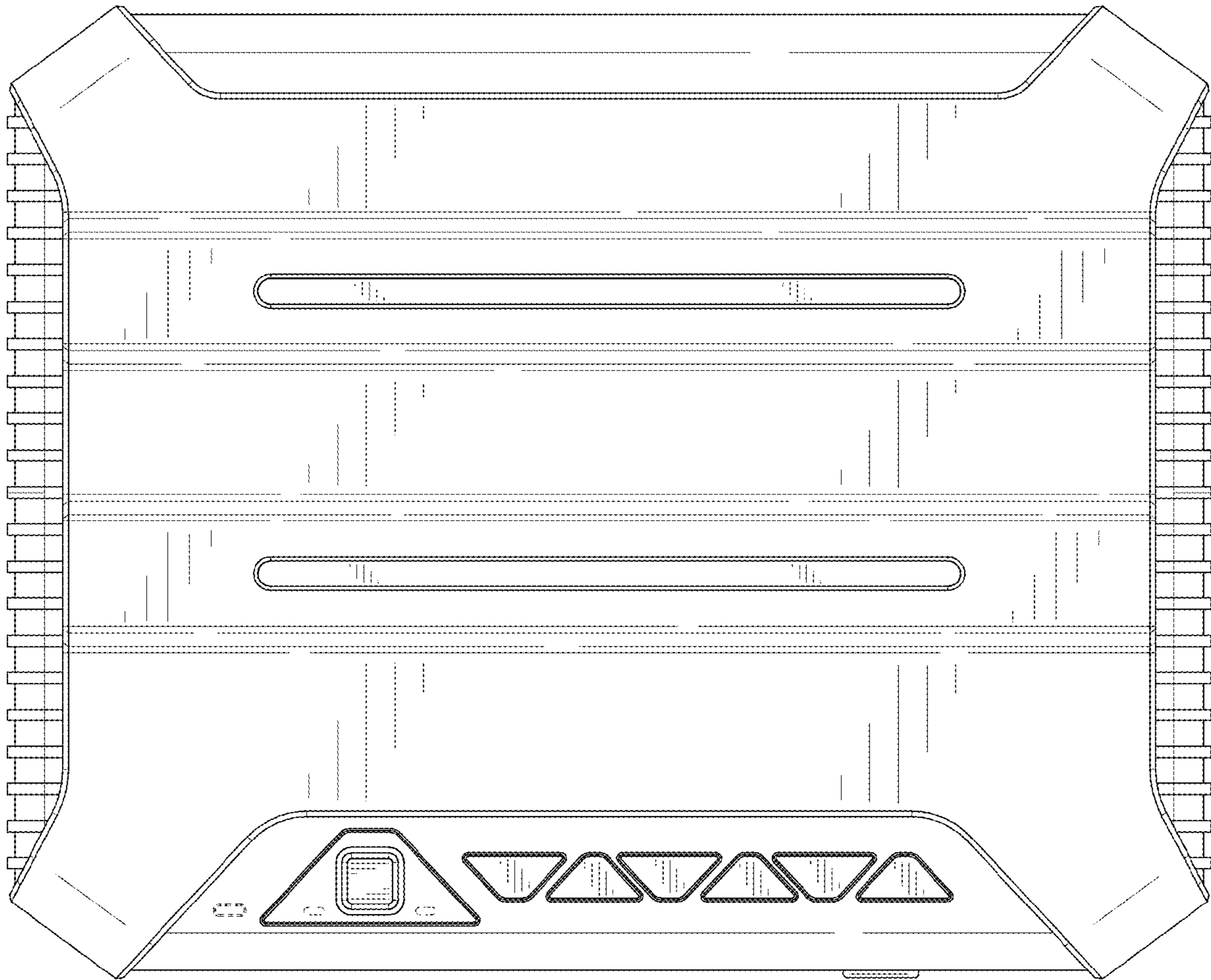


FIG. 7

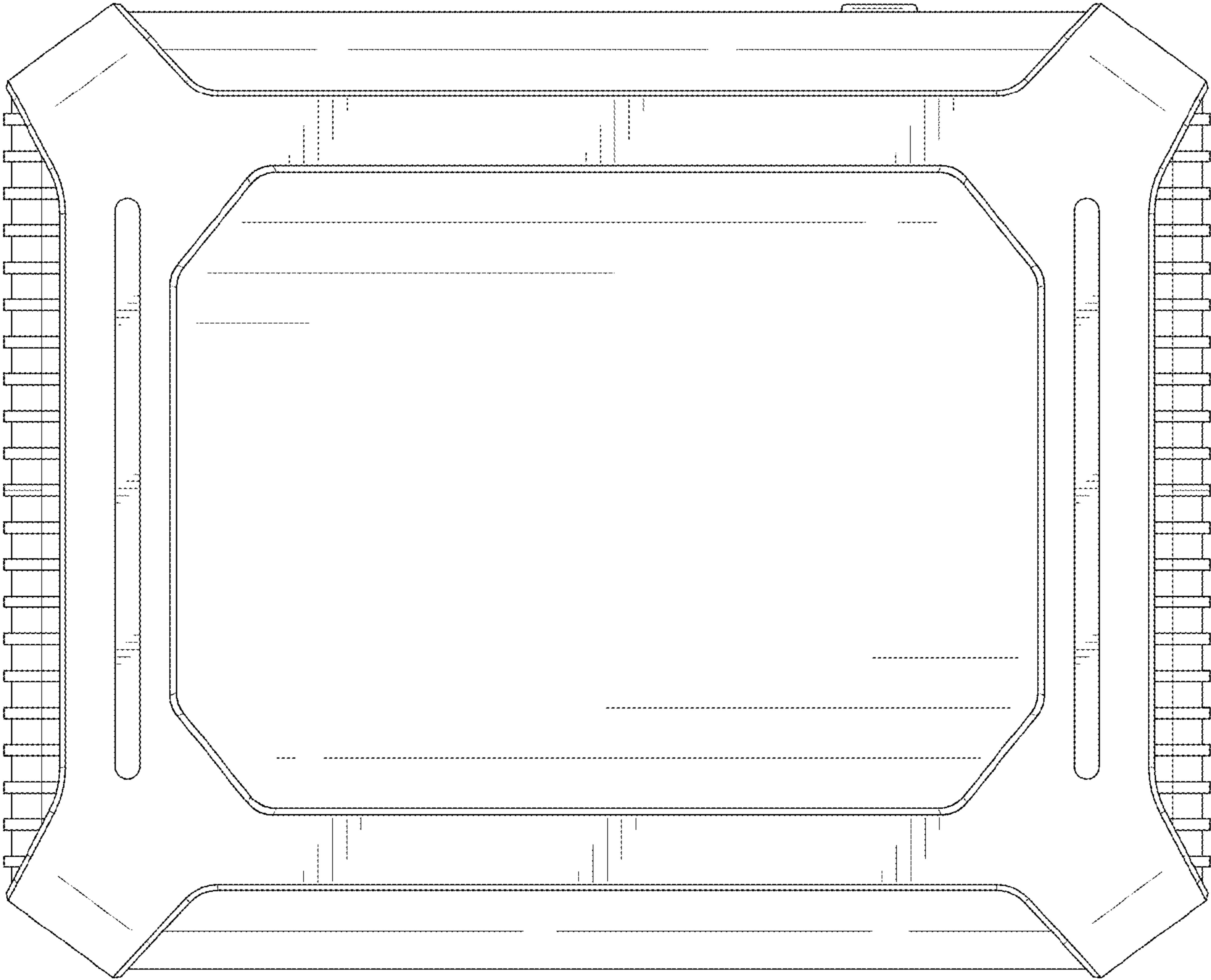


FIG. 8

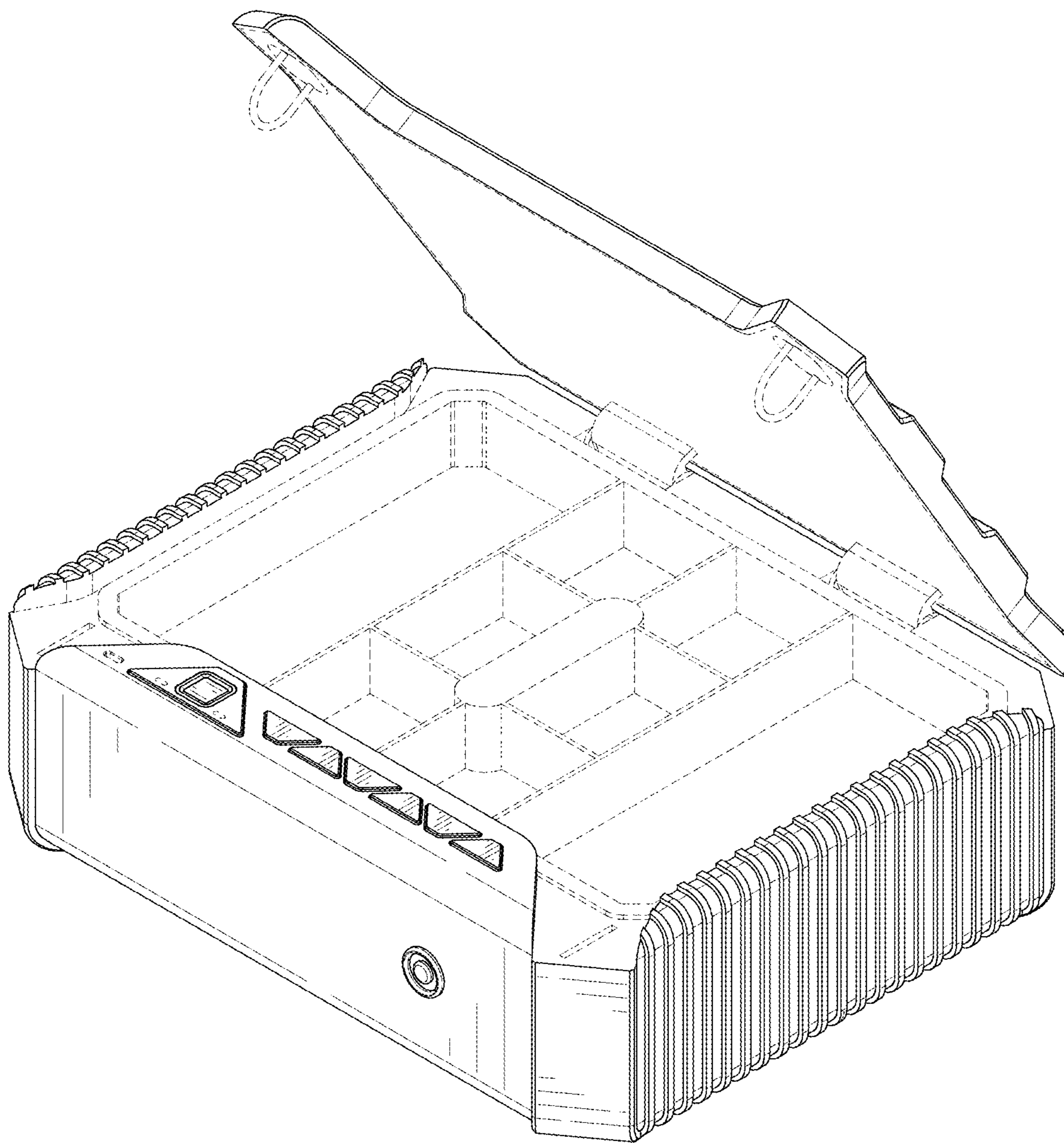


FIG. 9

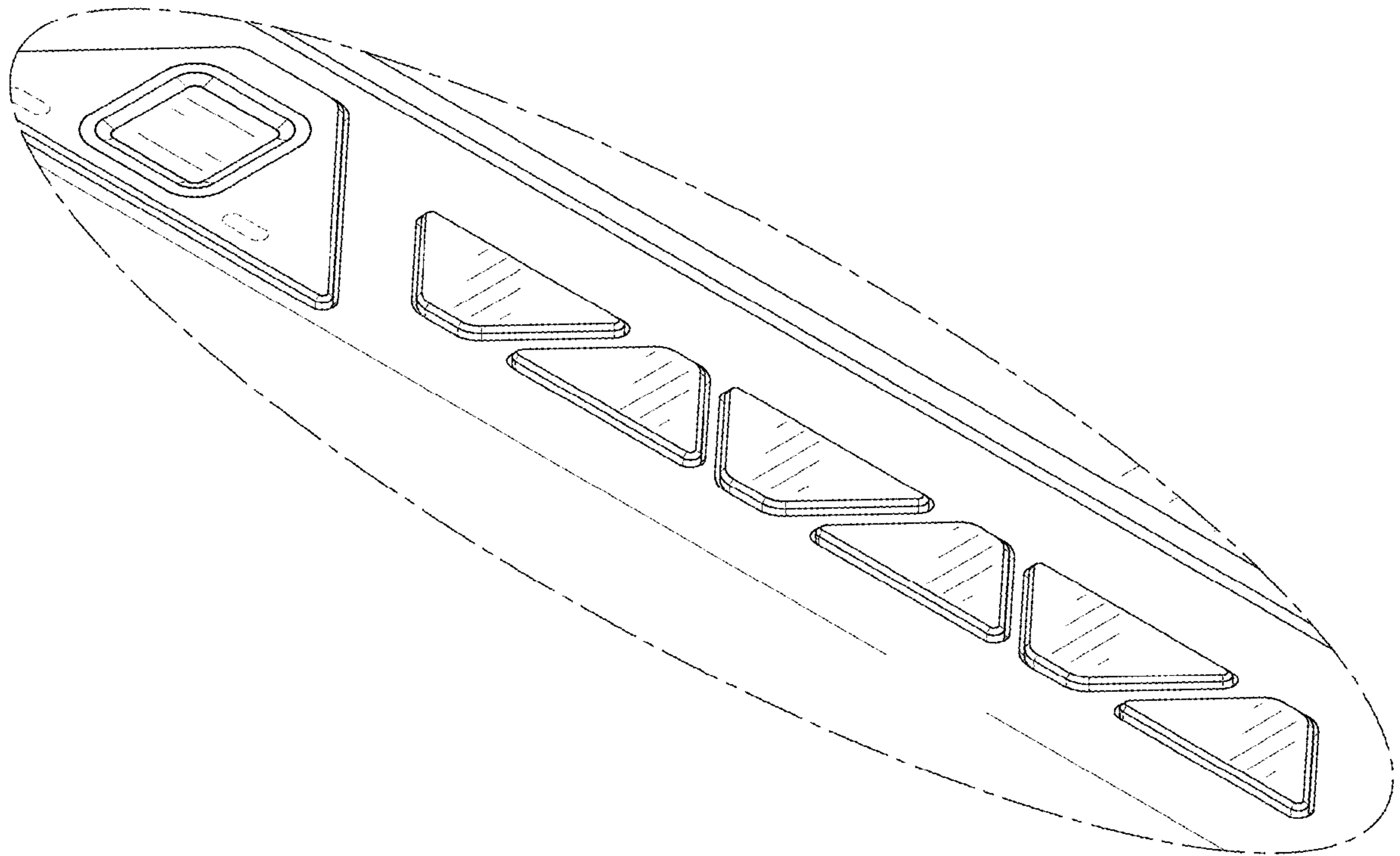


FIG. 10

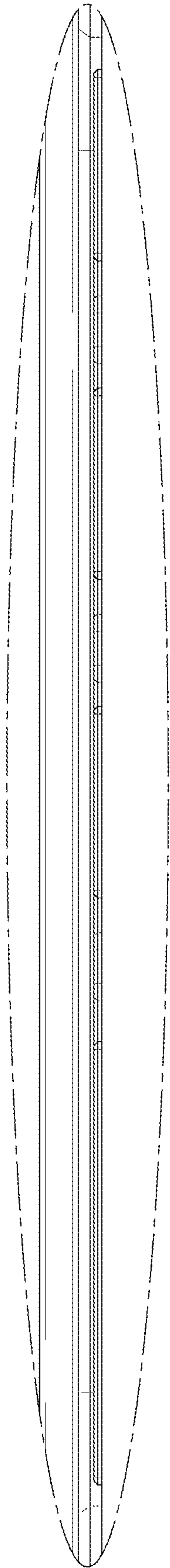


FIG. 11