



US00D904723S

(12) **United States Design Patent**
Malsam

(10) **Patent No.:** **US D904,723 S**

(45) **Date of Patent:** **** Dec. 8, 2020**

(54) **PALLET LOAD BRACKET**

(71) Applicant: **The Ice Chest, Inc.**, Bothel, WA (US)

(72) Inventor: **Philip Malsam**, Bothel, WA (US)

(**) Term: **15 Years**

(21) Appl. No.: **29/682,539**

(22) Filed: **Mar. 6, 2019**

(51) **LOC (12) Cl.** **09-08**

(52) **U.S. Cl.**
USPC **D34/38**

(58) **Field of Classification Search**
USPC D34/28, 29, 30, 31, 32, 33, 34, 35, 36,
D34/37, 38; D25/119, 120, 122, 123,
D25/124, 125, 126; D8/349, 354,
D8/373-377; D9/456

CPC B65D 2519/00; B65D 2519/00273; B65D
2519/00288; B65D 2519/00363; B65D
2519/00069; B65B 65/00; E06B 1/12;
E04C 3/00; E04C 3/02; E04C 3/125;
E04C 3/127; E04B 1/18; E04B 1/24

See application file for complete search history.

(56) **References Cited**

U.S. PATENT DOCUMENTS

4,749,048 A * 6/1988 Kelly E02F 5/32
172/272
D456,584 S * 4/2002 Rainey D34/33

D473,123 S * 4/2003 Anderson D8/354
D647,274 S * 10/2011 Sharp D34/35
D782,289 S * 3/2017 Darby D8/380
D805,880 S * 12/2017 Bright D8/381
D805,881 S * 12/2017 Nehls D8/381
D806,524 S * 1/2018 Honein D8/363
D812,839 S * 3/2018 Redding D34/38
D850,245 S * 6/2019 Bright D8/380
D862,825 S * 10/2019 Angel D34/28

* cited by examiner

Primary Examiner — George A Bugg

Assistant Examiner — Tamara L Hahn

(74) *Attorney, Agent, or Firm* — Dean A. Craine, P.S.

(57) **CLAIM**

The ornamental design for a pallet load bracket, as shown and described.

DESCRIPTION

FIG. 1 is a top front perspective view of a pallet load bracket showing my new design.

FIG. 2 is a right-side elevational view thereof.

FIG. 3 is a rear elevational view thereof.

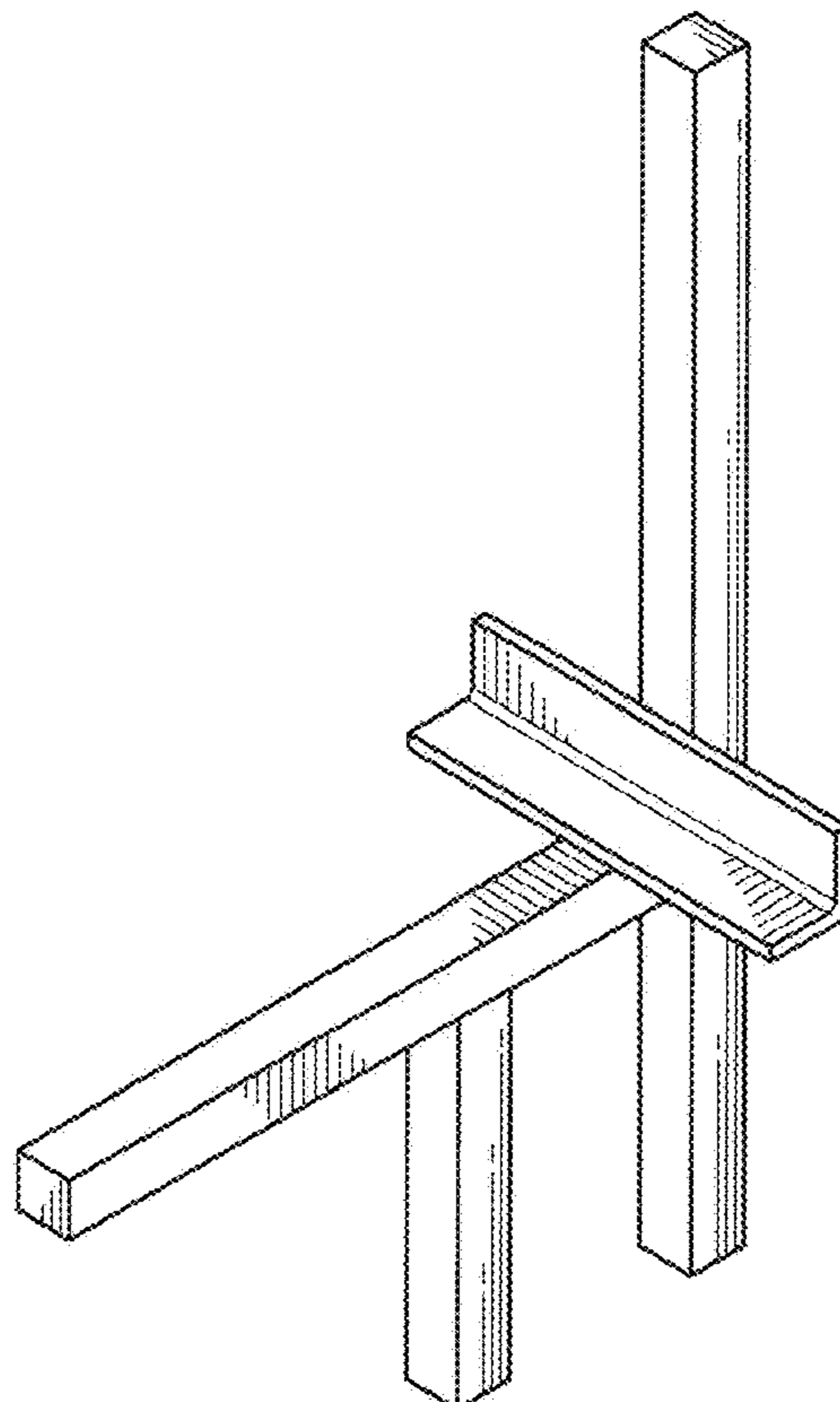
FIG. 4 is a left-side elevational view thereof.

FIG. 5 is a front elevational view thereof.

FIG. 6 is a top plan view thereof; and,

FIG. 7 is a bottom plan view thereof.

1 Claim, 2 Drawing Sheets



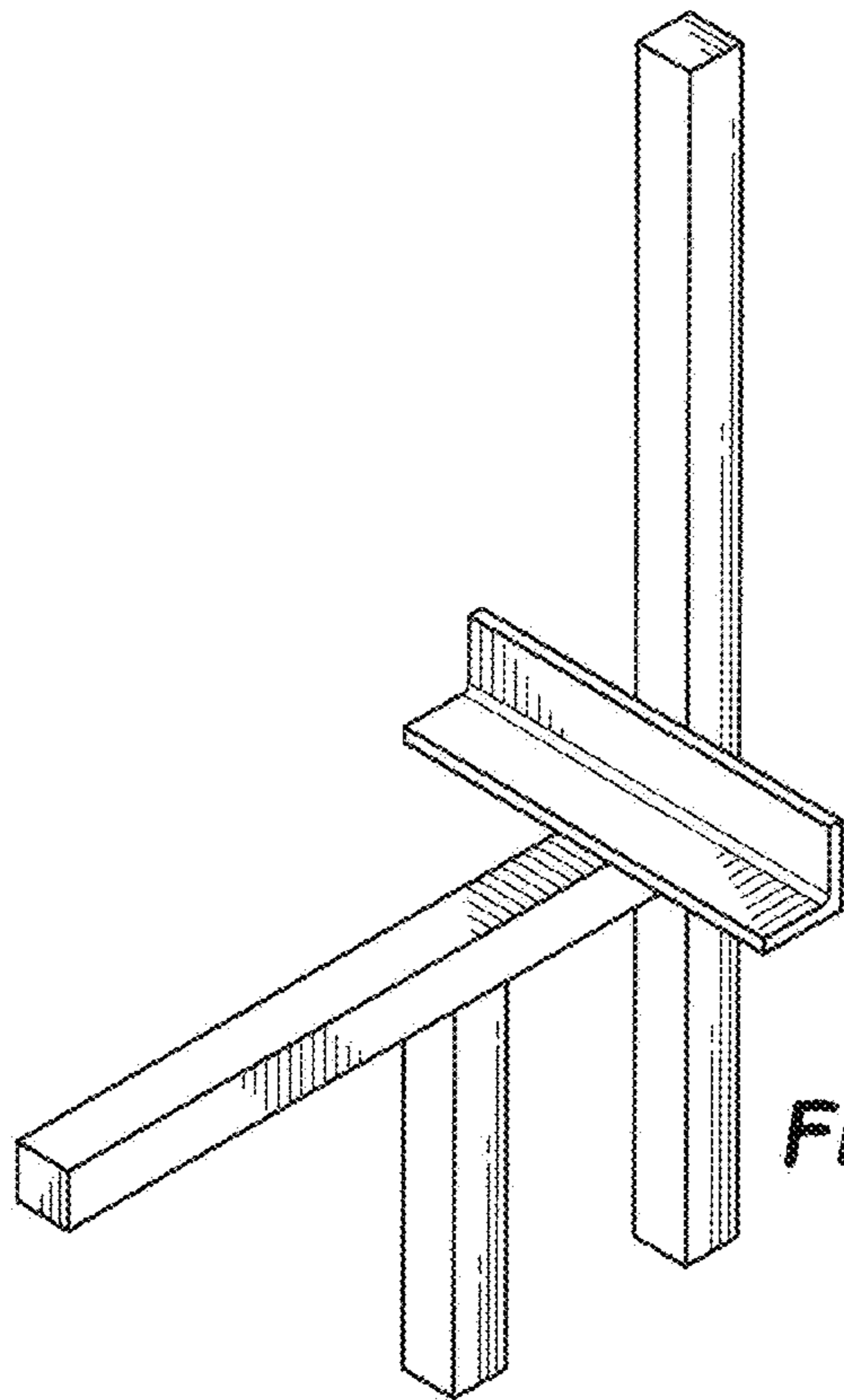


Fig. 1

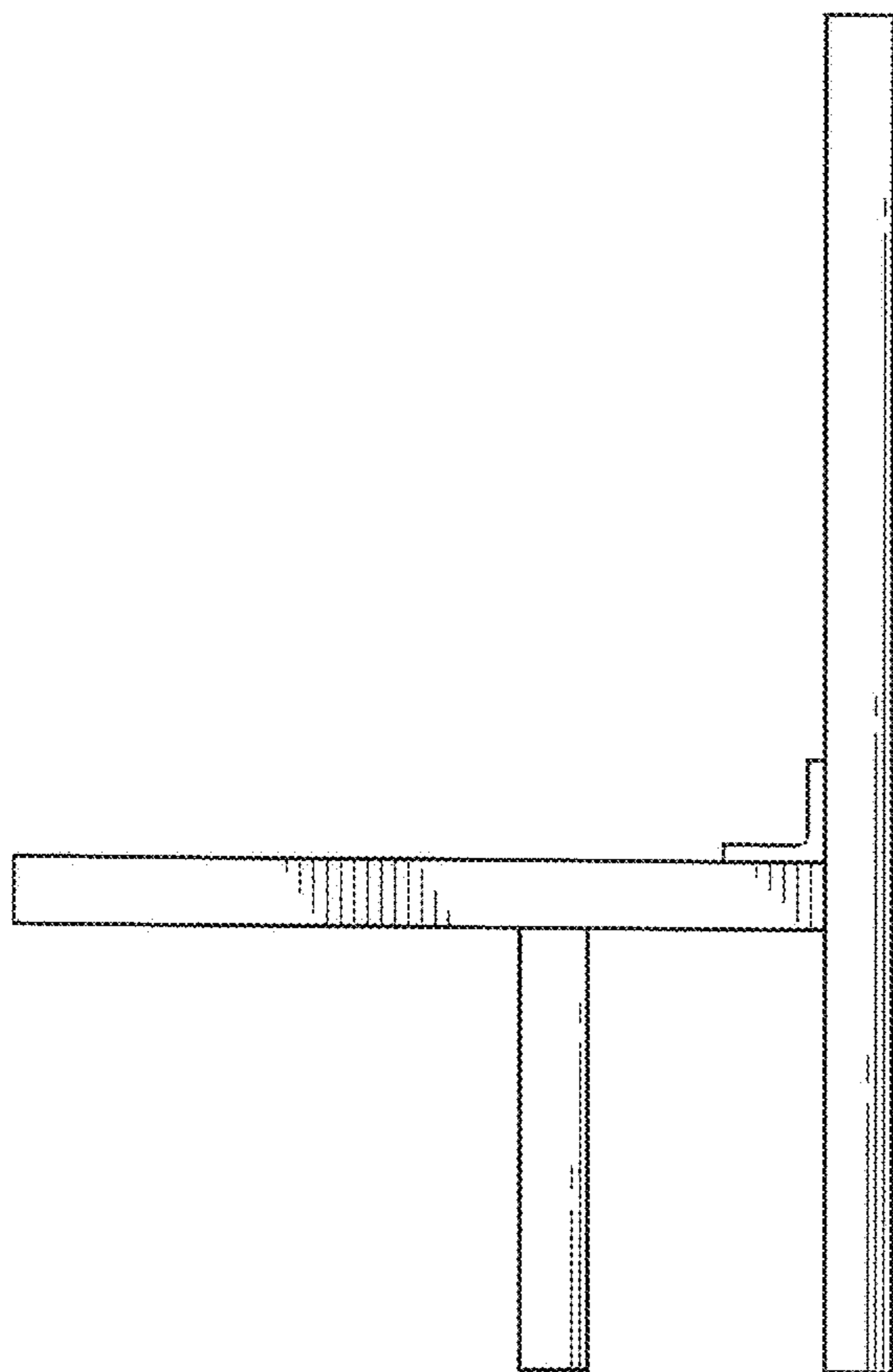


Fig. 2

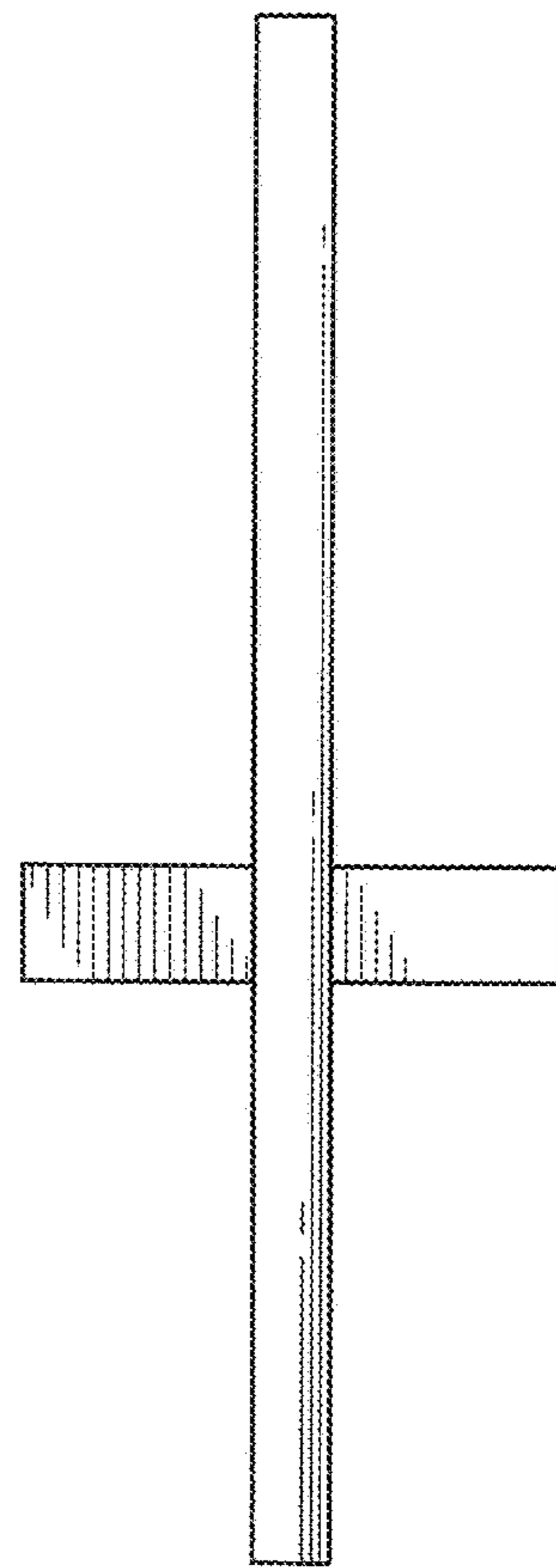


Fig. 3

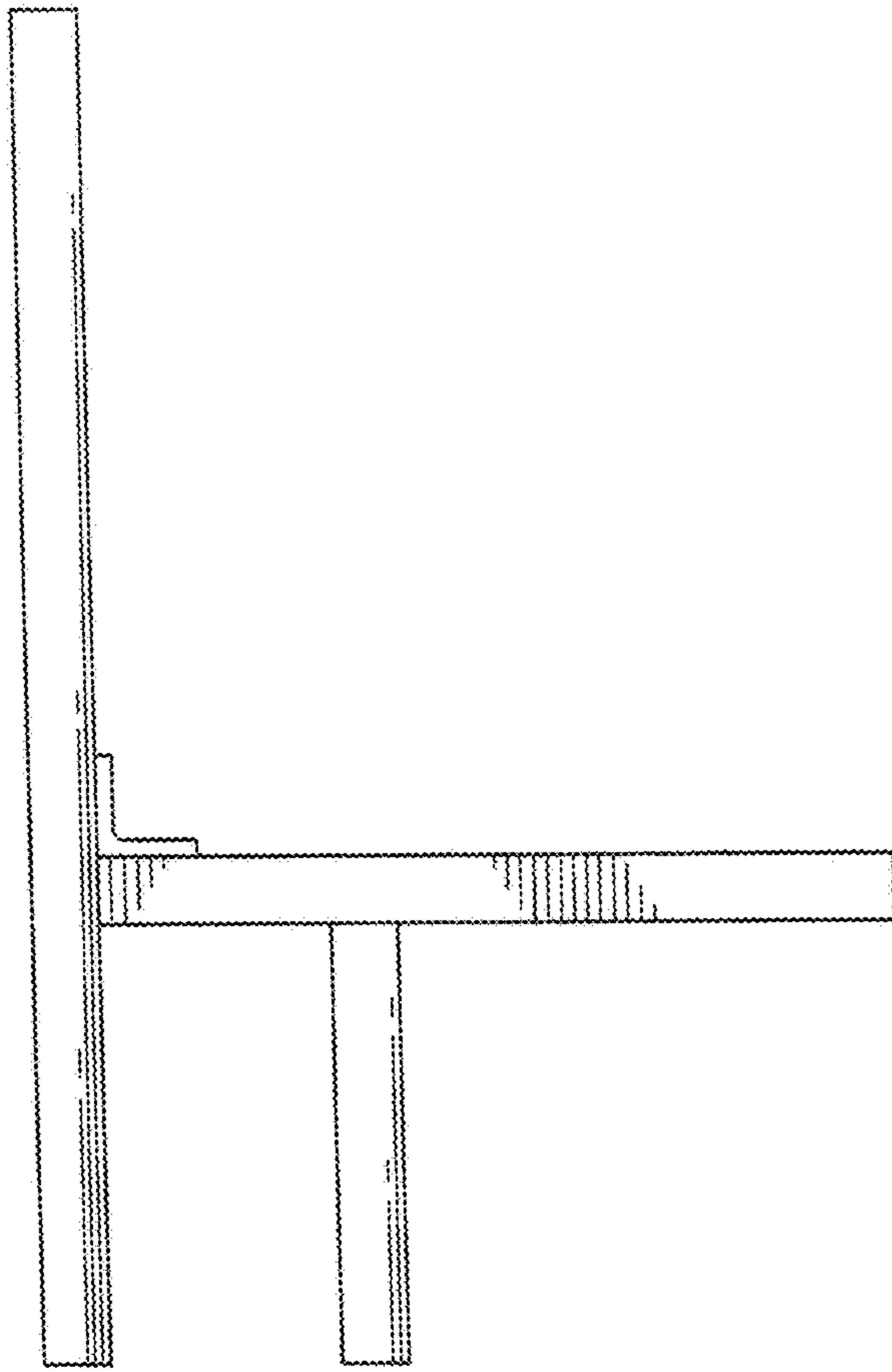


Fig. 4

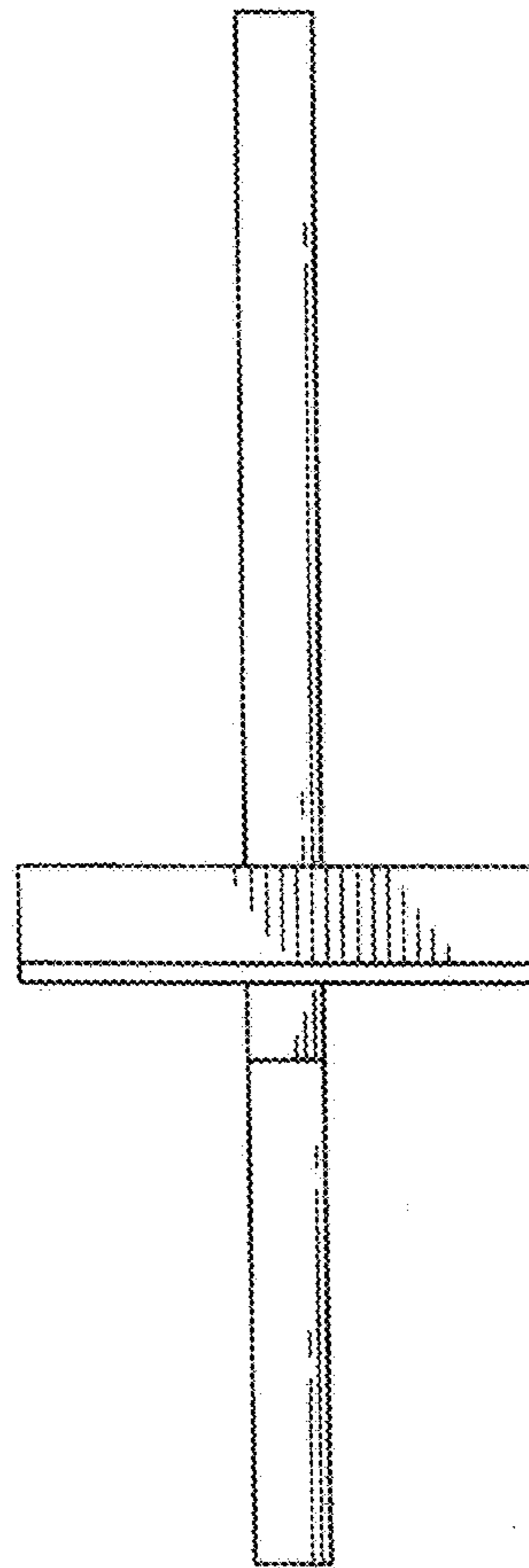


Fig. 5

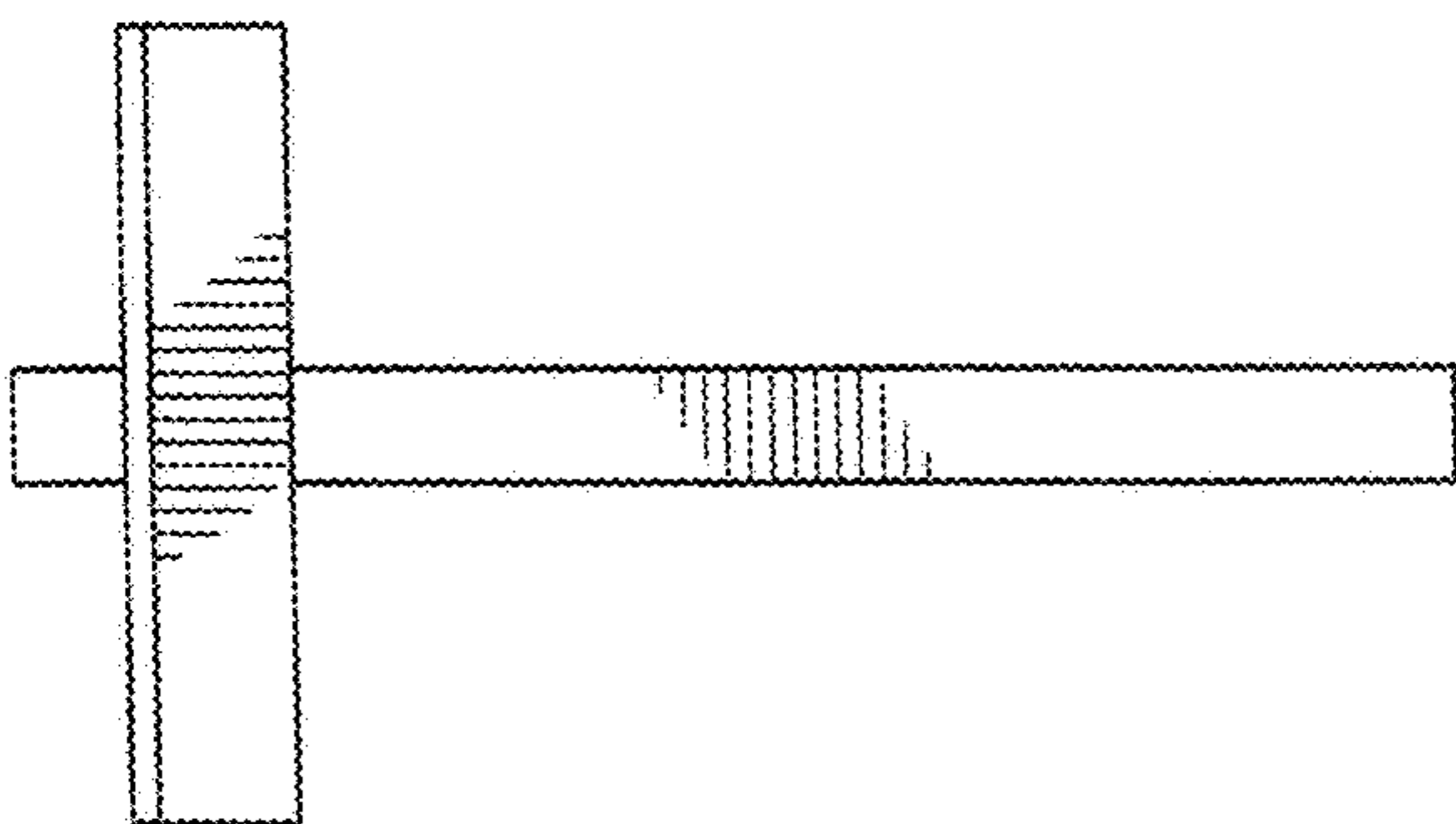


Fig. 6

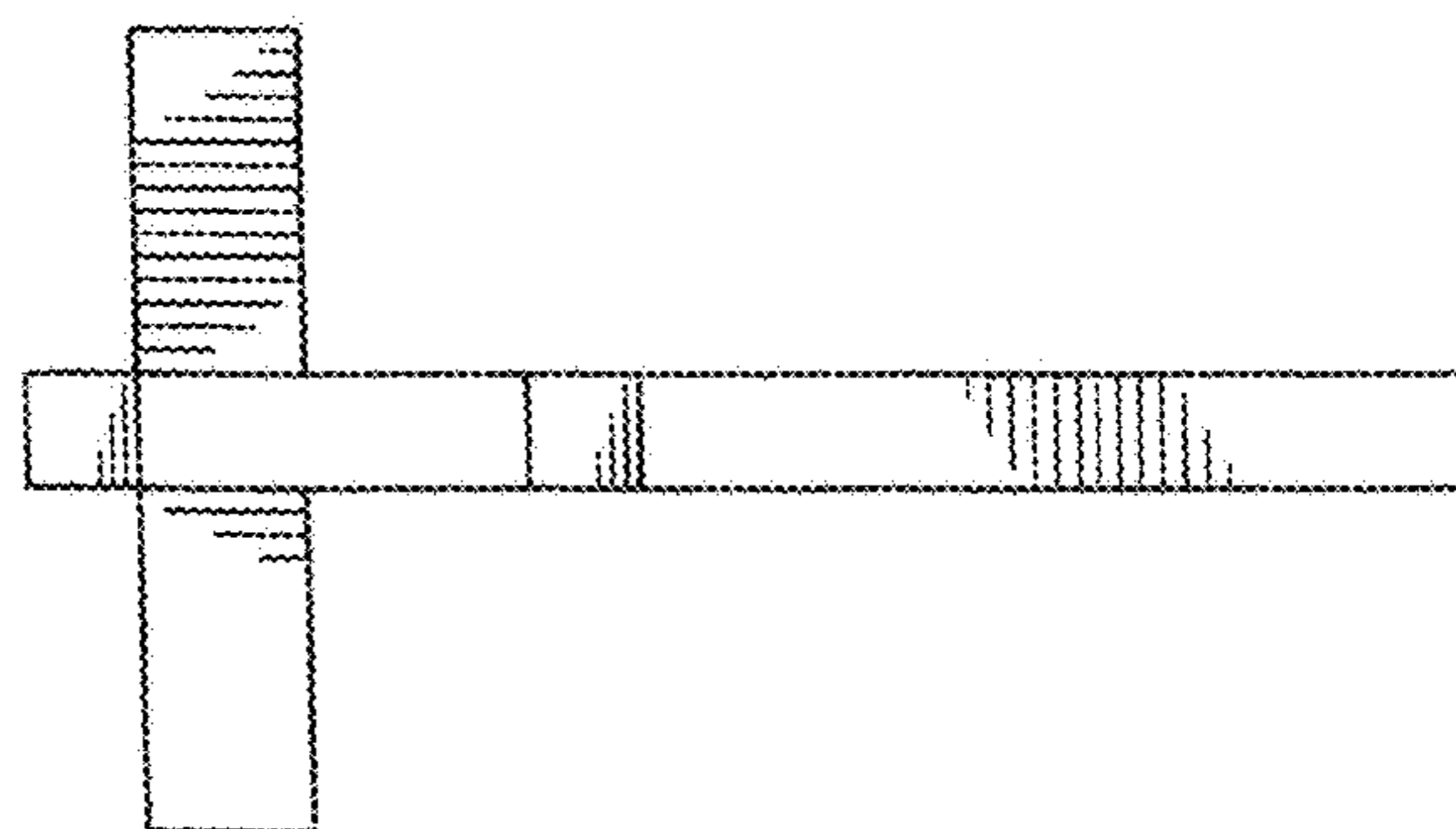


Fig. 7