



US00D904722S

(12) **United States Design Patent** (10) **Patent No.:** **US D904,722 S**
Ryu et al. (45) **Date of Patent:** **** Dec. 8, 2020**

(54) **FORKLIFT**

(71) Applicant: **DOOSAN CORPORATION**, Seoul (KR)

(72) Inventors: **Yongseok Ryu**, Seoul (KR); **Jinhup Yeu**, Gyeonggi-do (KR); **Dongchul Lee**, Gyeonggi-do (KR); **Minki Kim**, Gyeonggi-do (KR); **Yoojeung Lim**, Gyeonggi-do (KR); **Eunsook Seo**, Seoul (KR)

(73) Assignee: **DOOSAN CORPORATION**

(**) Term: **15 Years**

(21) Appl. No.: **29/654,734**

(22) Filed: **Jun. 27, 2018**

(30) **Foreign Application Priority Data**

Dec. 27, 2017 (KR) 30-2017-0061952

(51) **LOC (12) Cl.** **12-05**

(52) **U.S. Cl.**
USPC **D34/31**

(58) **Field of Classification Search**
USPC D34/28, 34, 35; 414/465, 529, 785, 607, 414/572; 187/222, 237, 238
CPC B66F 9/22; B66F 17/003
See application file for complete search history.

(56) **References Cited**

U.S. PATENT DOCUMENTS

D470,990 S	*	2/2003	Han	D34/34
D579,622 S	*	10/2008	Kim	D34/34
D579,623 S	*	10/2008	Kim	D34/34
D696,830 S	*	12/2013	Kazaoka	D34/34
D754,940 S	*	4/2016	Wen	D34/34
D756,058 S	*	5/2016	Kang	D34/34
D756,059 S	*	5/2016	Kang	D34/34
D782,770 S	*	3/2017	Kang	D34/34
D790,149 S	*	6/2017	Kang	D34/34

* cited by examiner

Primary Examiner — Gino Colan

(74) *Attorney, Agent, or Firm* — Volpe Koenig

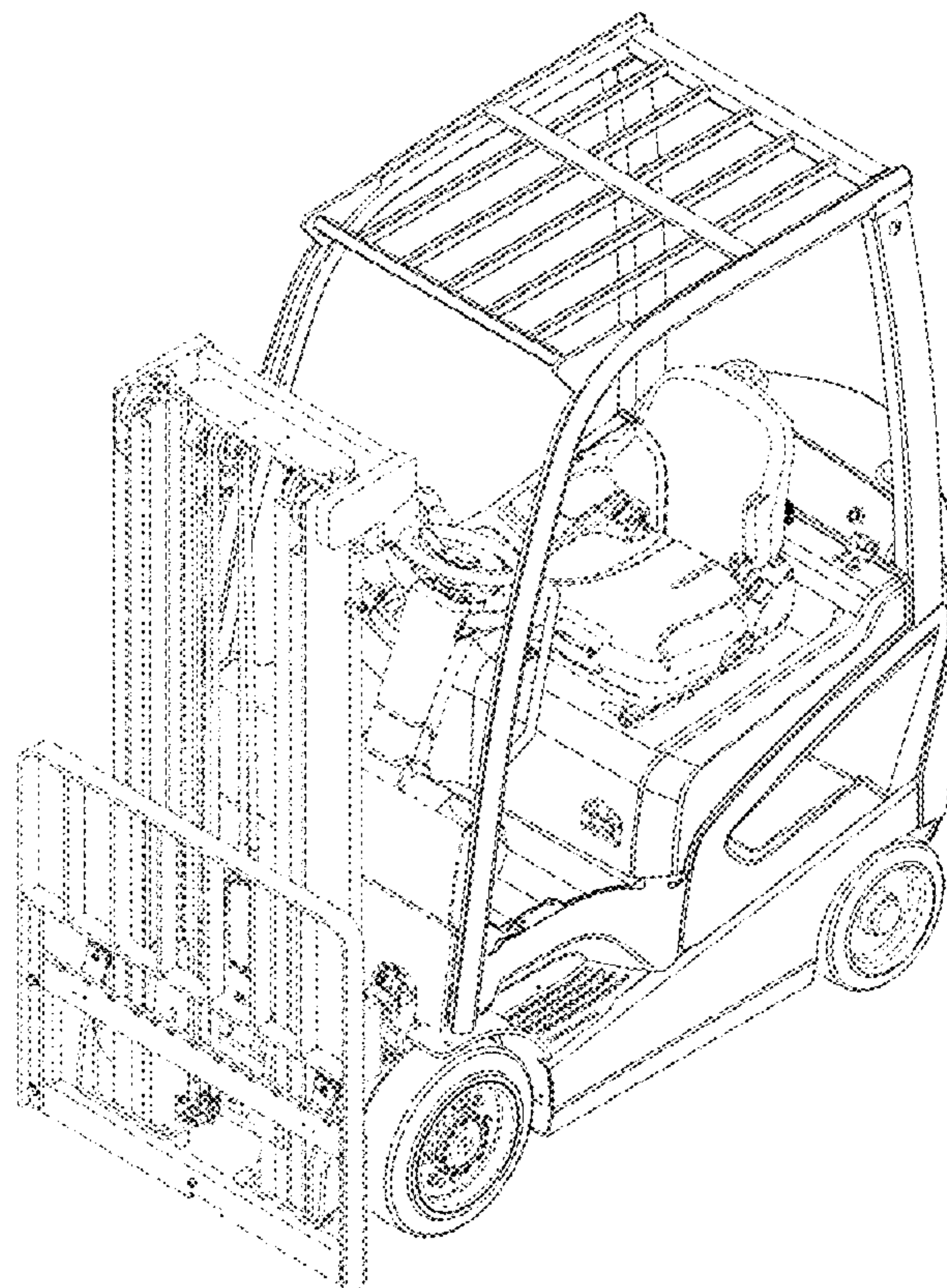
(57) **CLAIM**

The ornamental design for forklift, as shown and described.

DESCRIPTION

FIG. 1 is a perspective view of the forklift;
 FIG. 2 is a front view of the forklift;
 FIG. 3 is a rear view of the forklift;
 FIG. 4 is a left side view of the forklift;
 FIG. 5 is a right side view of the forklift;
 FIG. 6 is a top view of the forklift; and,
 FIG. 7 is a bottom view of the forklift.
 The broken lines shown in the figures are included for the purpose of illustrating portions of the forklift which form no part of the claimed design.

1 Claim, 7 Drawing Sheets



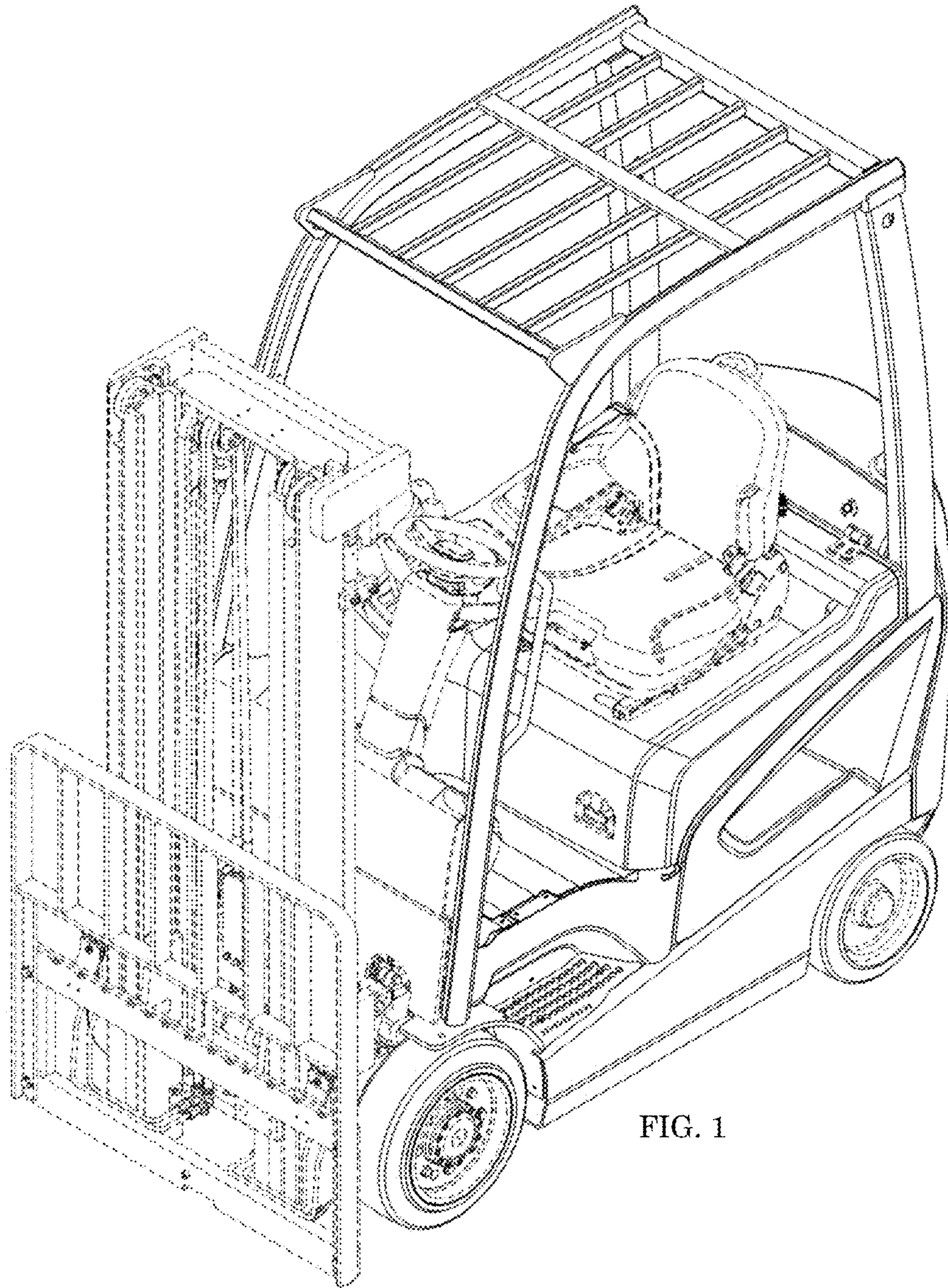


FIG. 1

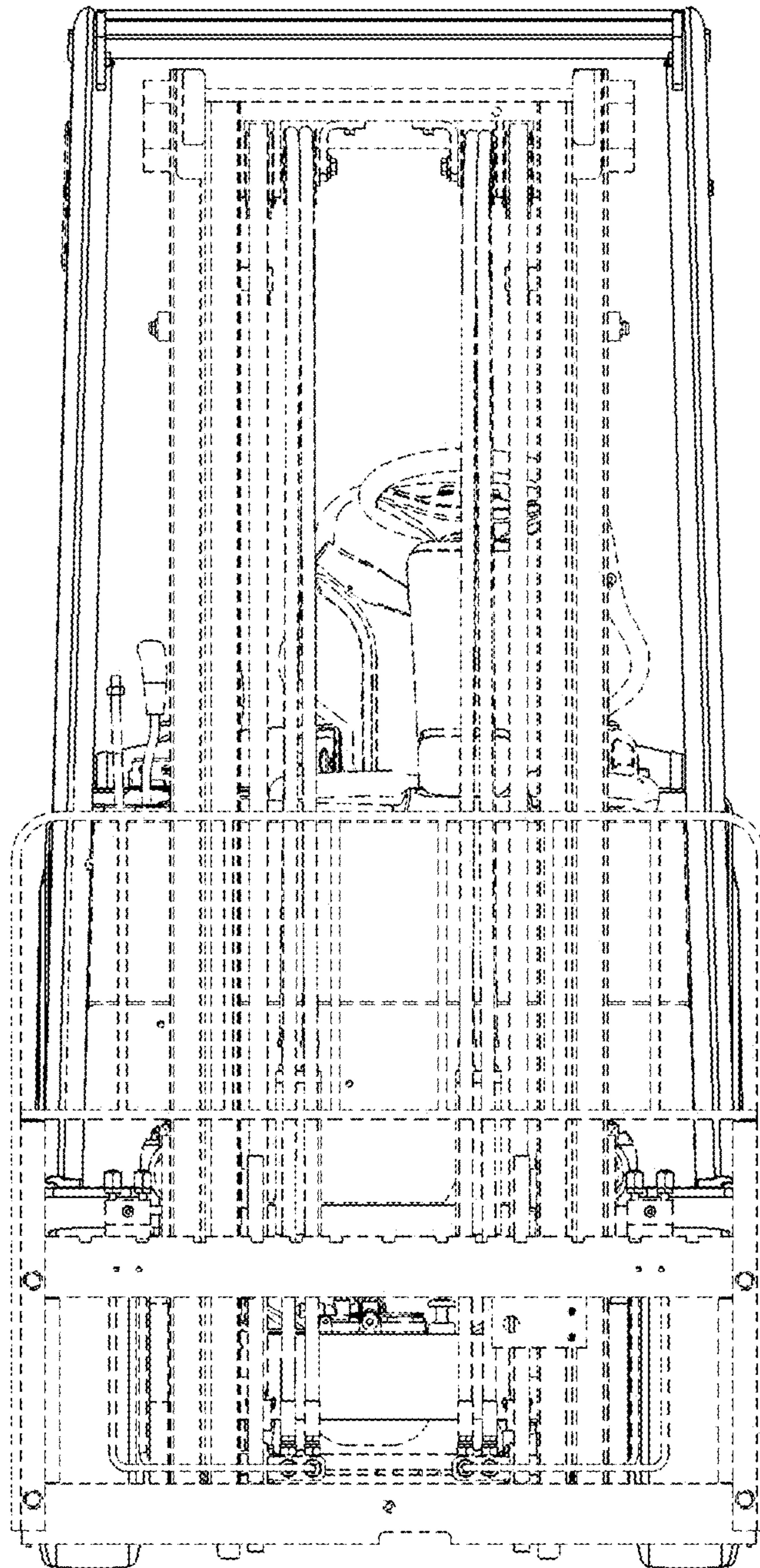


FIG. 2

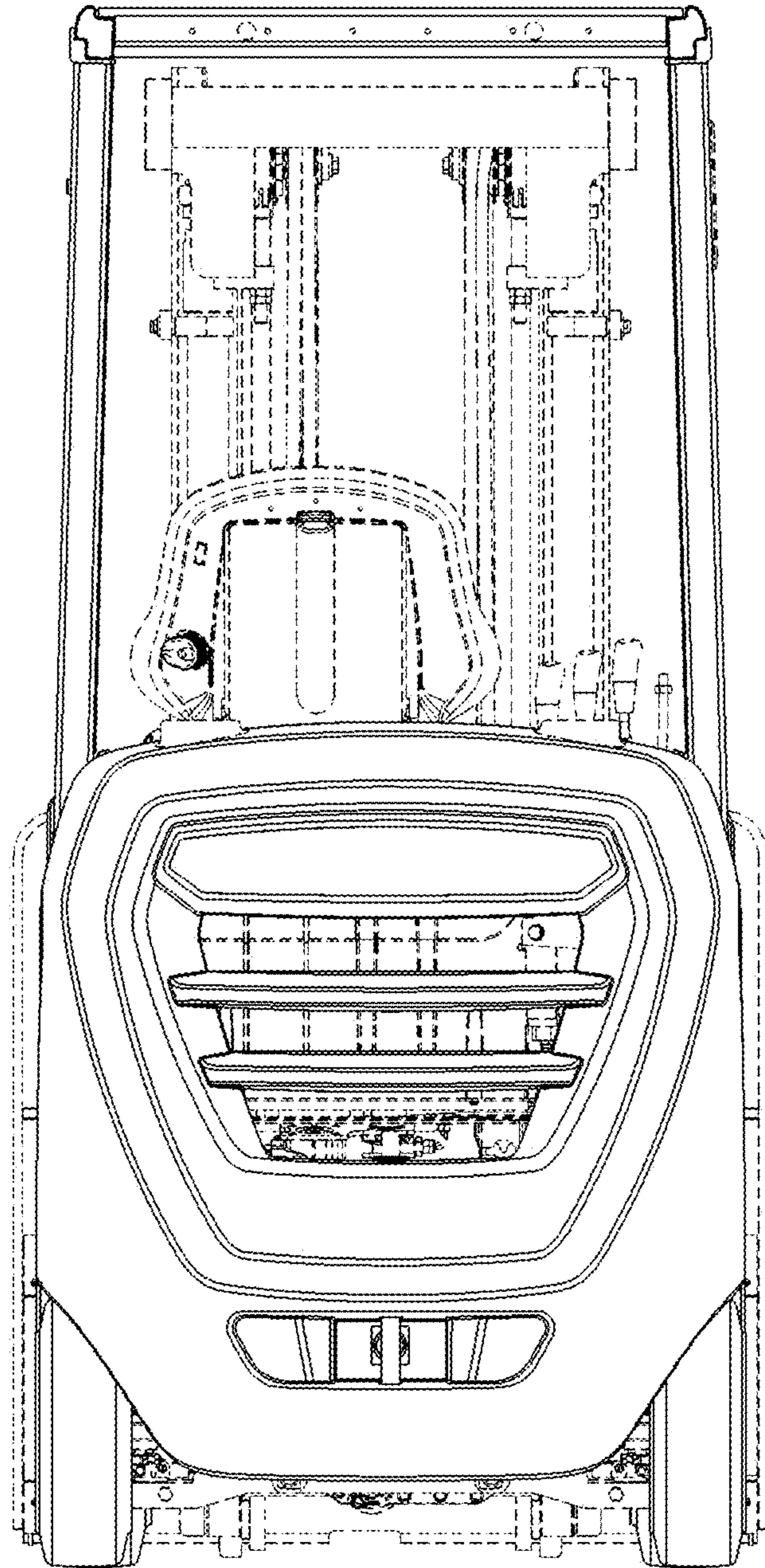


FIG. 3

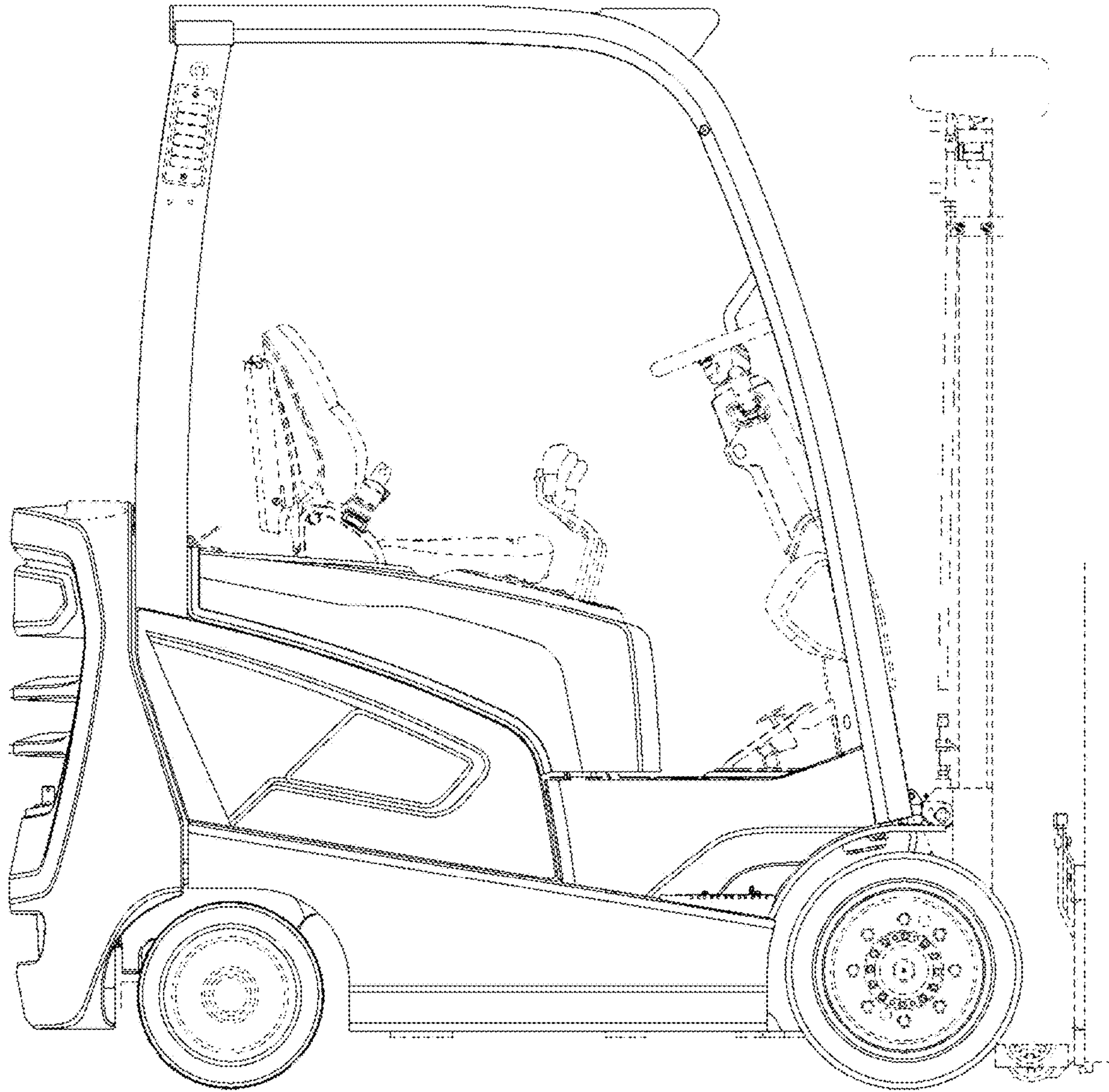


FIG. 4

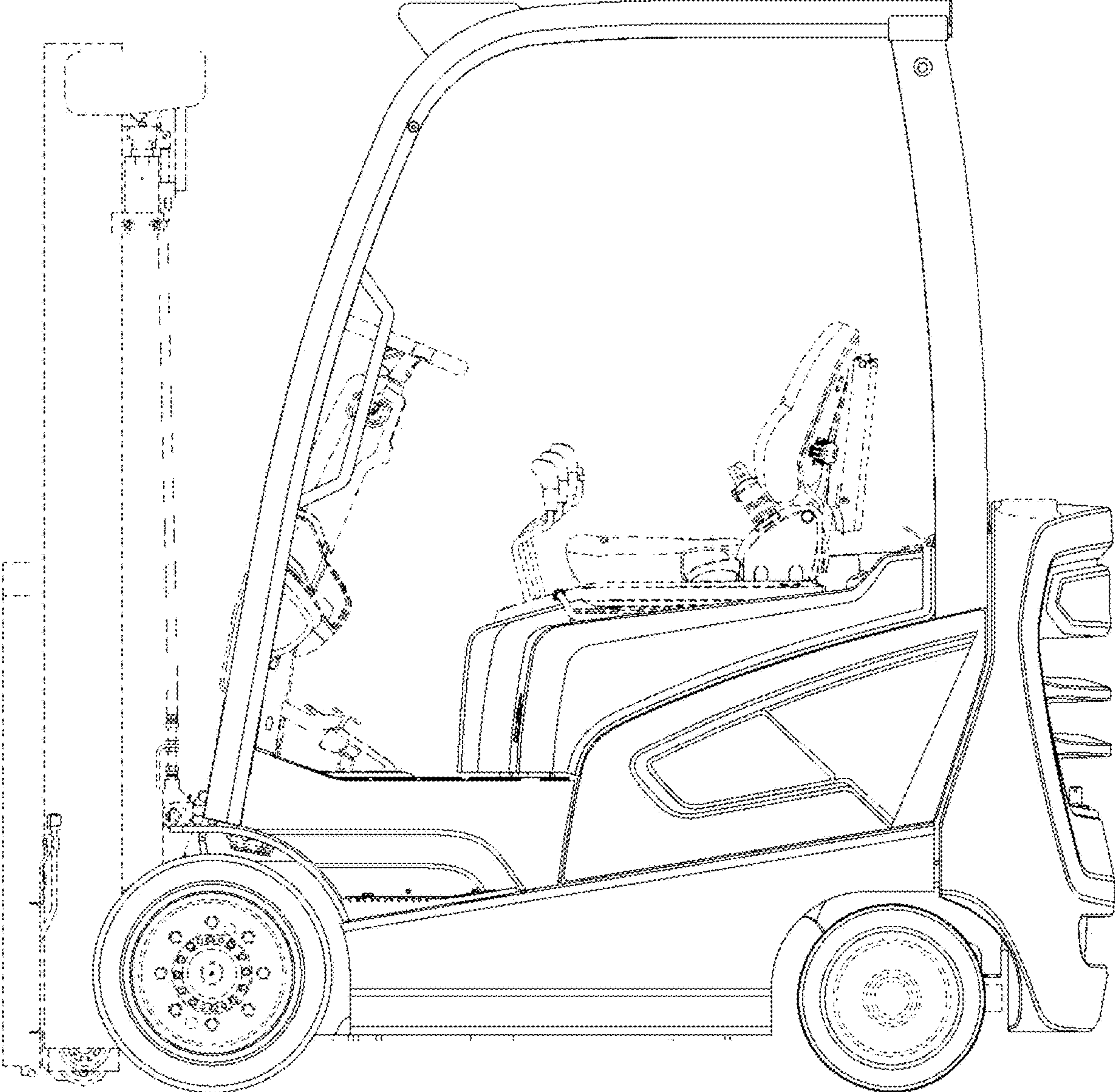


FIG. 5

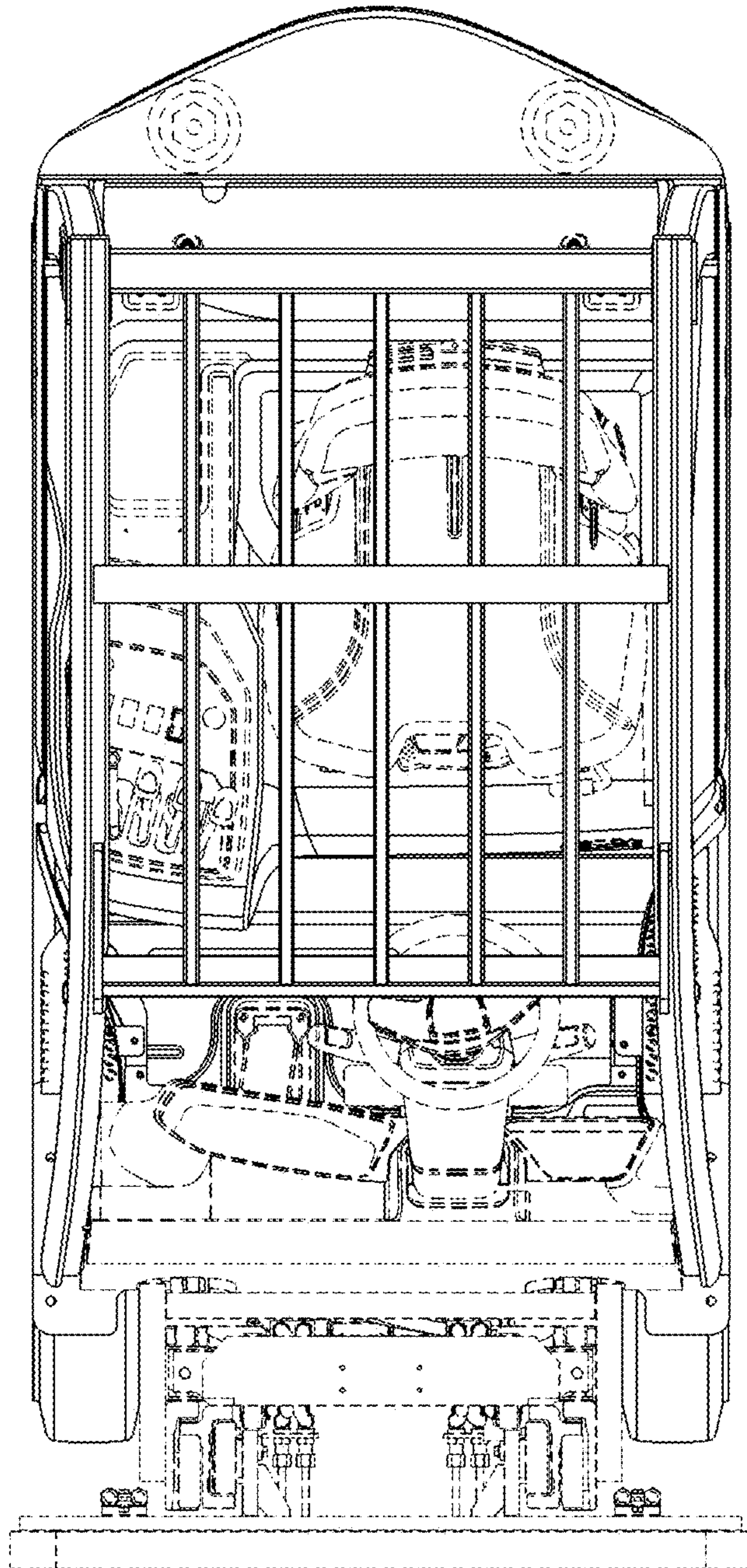


FIG. 6

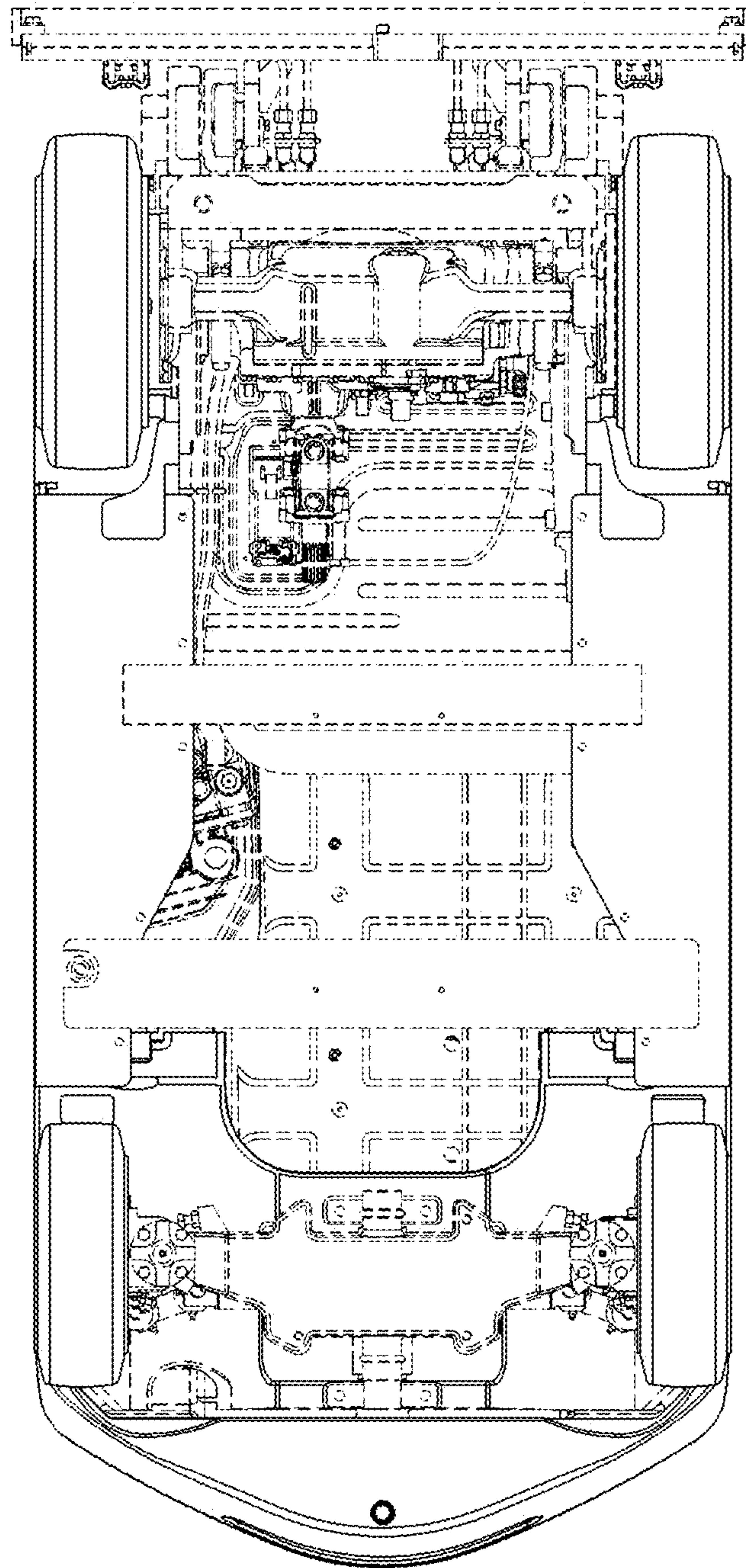


FIG. 7