



US00D904721S

(12) **United States Design Patent** (10) **Patent No.:** **US D904,721 S**
Sweere (45) **Date of Patent:** **** Dec. 8, 2020**

(54) **LOAD TRANSFER ASSIST DEVICE**
(71) Applicant: **Joseph Sweere**, Owatonna, MN (US)
(72) Inventor: **Joseph Sweere**, Owatonna, MN (US)
(**) Term: **15 Years**
(21) Appl. No.: **29/739,287**
(22) Filed: **Jun. 24, 2020**
(51) **LOC (12) Cl.** **12-05**
(52) **U.S. Cl.**
USPC **D34/28**
(58) **Field of Classification Search**
USPC D34/28, 32
CPC . B65G 7/08; B65G 7/12; B65G 69/28; B65G
69/30; B25B 9/00; B62B 2301/08; B60P
1/43; B60P 1/431
See application file for complete search history.

D756,573 S * 5/2016 Jakubowski D30/199
D798,021 S * 9/2017 Mueller D34/28
D874,081 S * 1/2020 De Jong B66F 7/20
D34/28
D889,764 S * 7/2020 Terry D34/28
2011/0138821 A1* 6/2011 Chase F25C 5/24
62/71
2012/0012664 A1* 1/2012 Nakayama A63H 18/028
238/10 A
2018/0111453 A1* 4/2018 Patel B62D 25/2036
* cited by examiner

Primary Examiner — Cynthia Ramirez
(74) *Attorney, Agent, or Firm* — Underwood & Associates, LLC

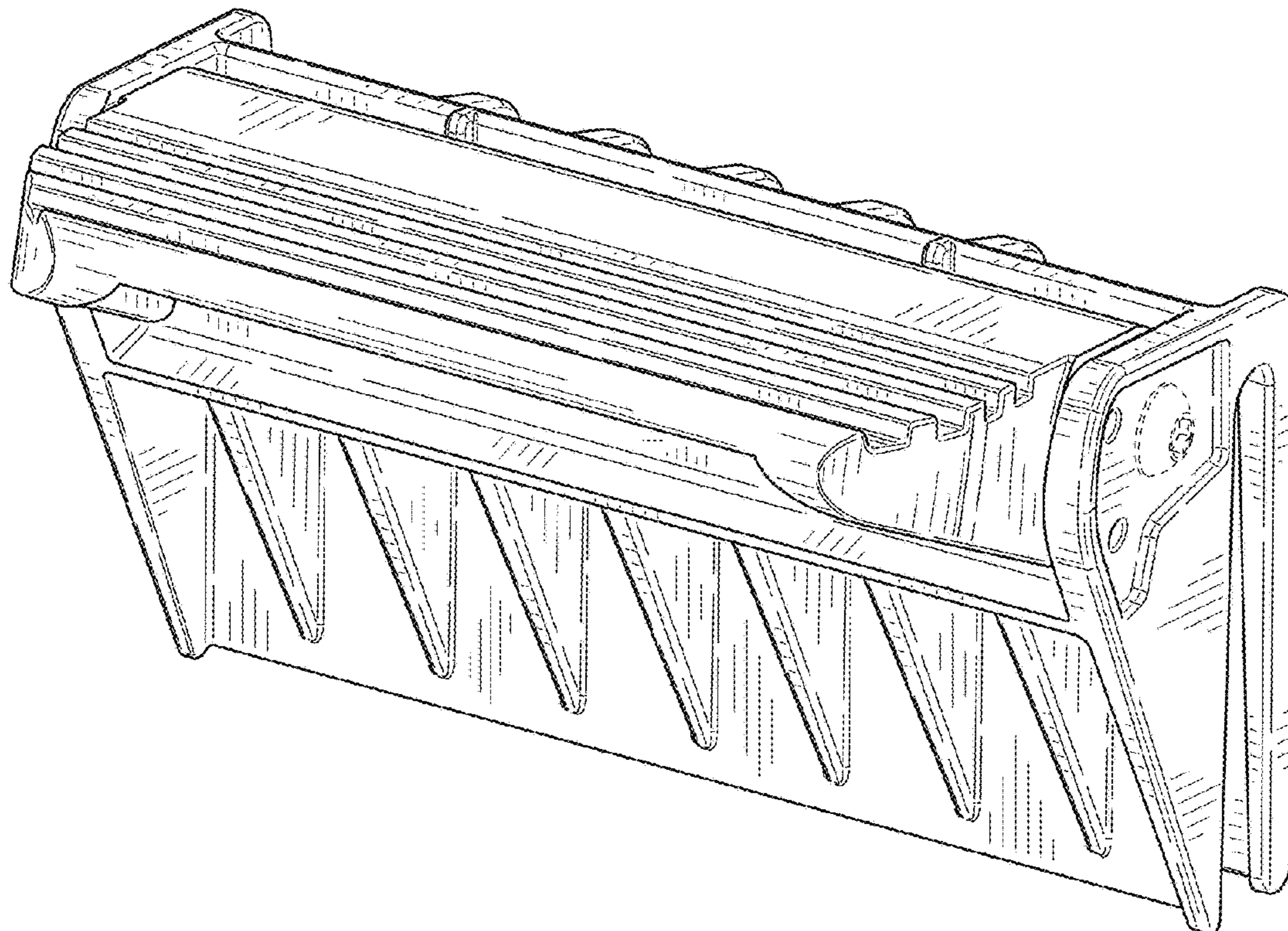
(57) **CLAIM**
The ornamental design for a load transfer assist device, as shown and described.

DESCRIPTION

FIG. 1 is a perspective view of a load transfer assist device showing my new design;
FIG. 2 is a front elevational view thereof;
FIG. 3 is a rear elevational view thereof;
FIG. 4 is a right side elevational view thereof;
FIG. 5 is a left side elevational view thereof;
FIG. 6 is a bottom plan view thereof; and,
FIG. 7 is a top plan view thereof.
The bolt and nut combination shown in broken lines in the figures show portions of the load transfer assist device, and form no part of the claimed design.

1 Claim, 5 Drawing Sheets

(56) **References Cited**
U.S. PATENT DOCUMENTS
3,702,660 A * 11/1972 Berger B65G 7/08
414/778
3,781,934 A * 1/1974 Pink B65G 69/30
14/69.5
D254,364 S * 3/1980 Moll D34/32
D441,163 S * 4/2001 Johansson D34/28
D452,056 S * 12/2001 Rosania D34/28
D608,520 S * 1/2010 Fick D34/32
D712,111 S * 8/2014 Chernyshou D34/28
D751,787 S * 3/2016 Taylor D34/28



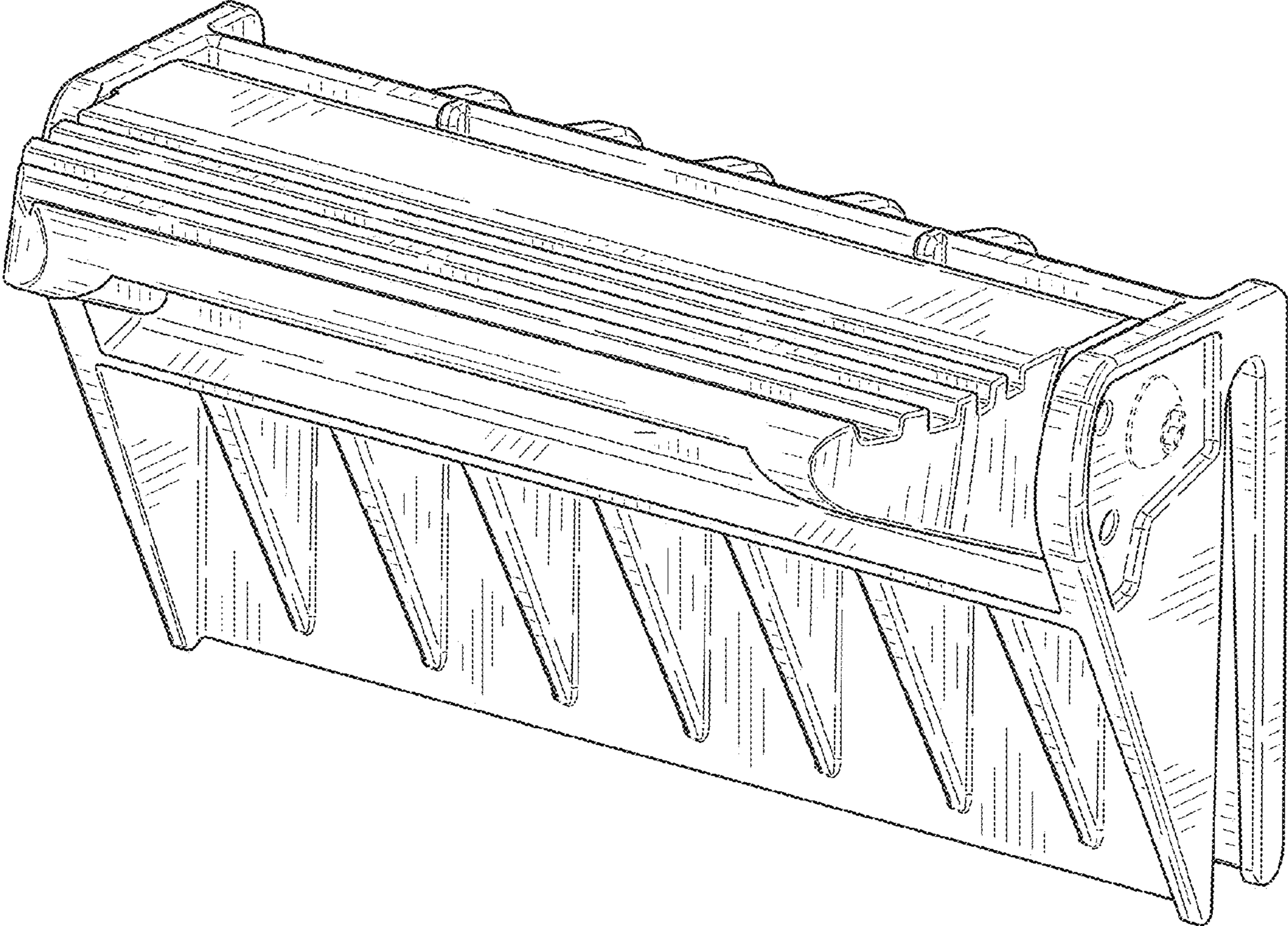


FIG. 1

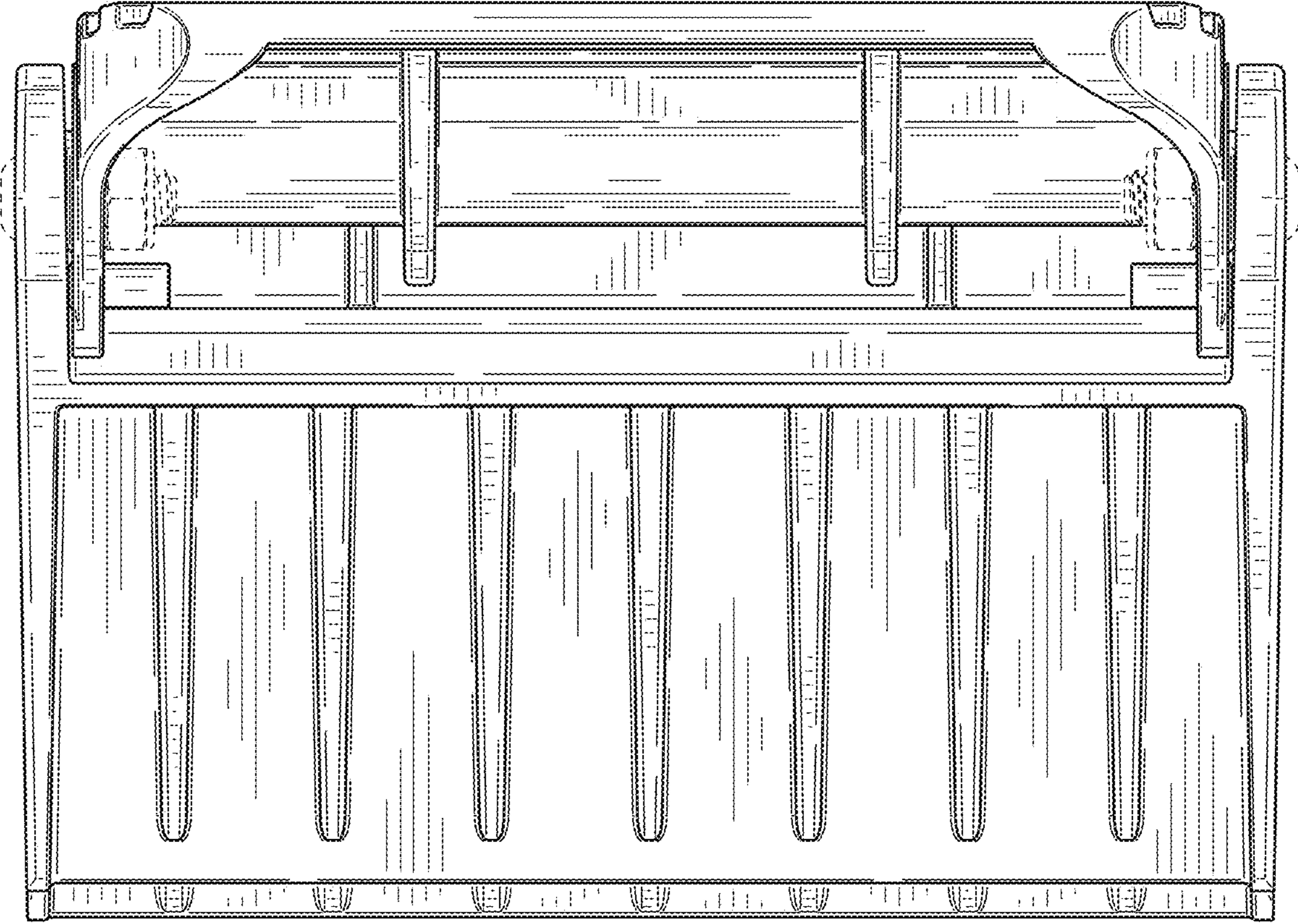


FIG. 2

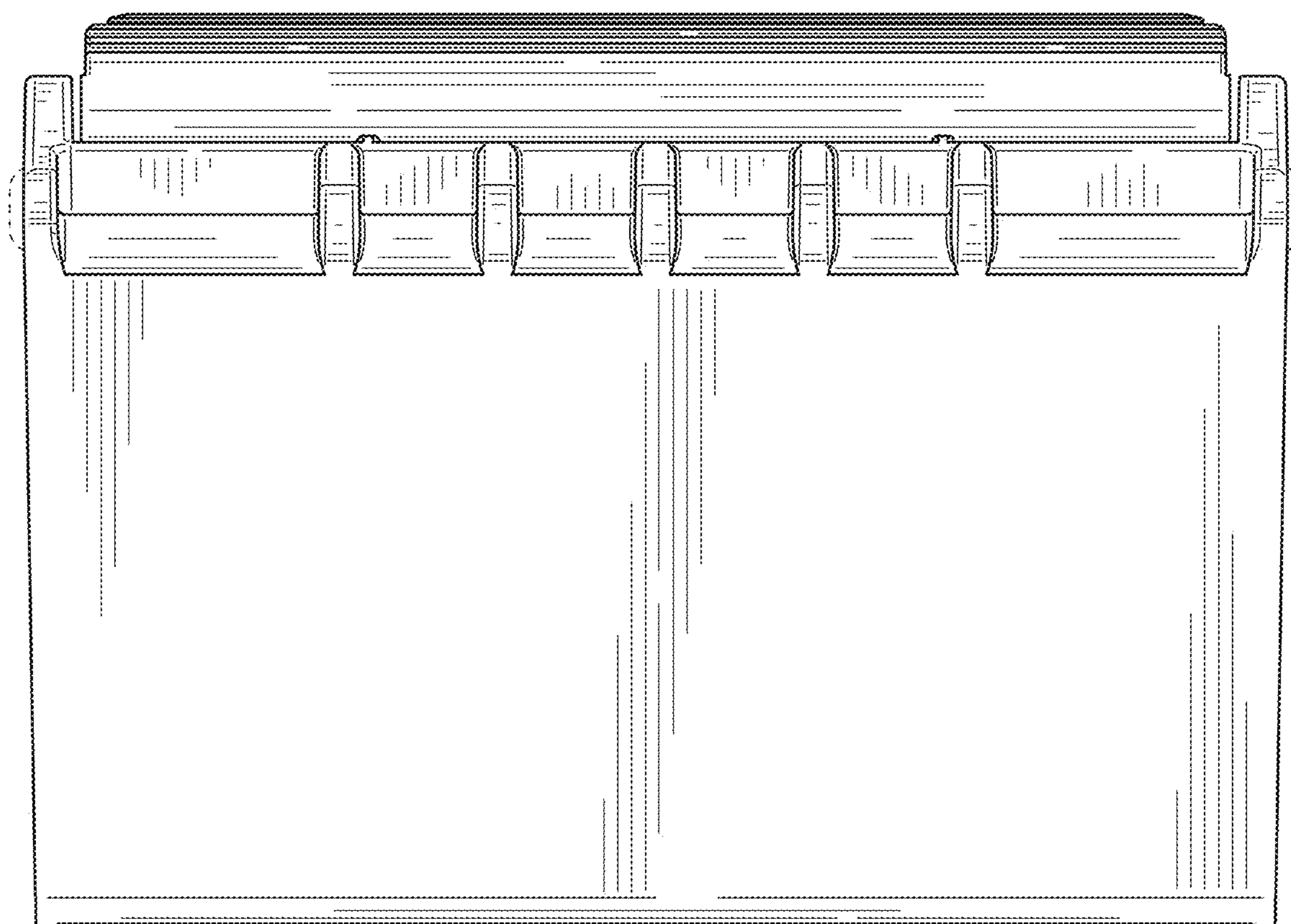


FIG. 3

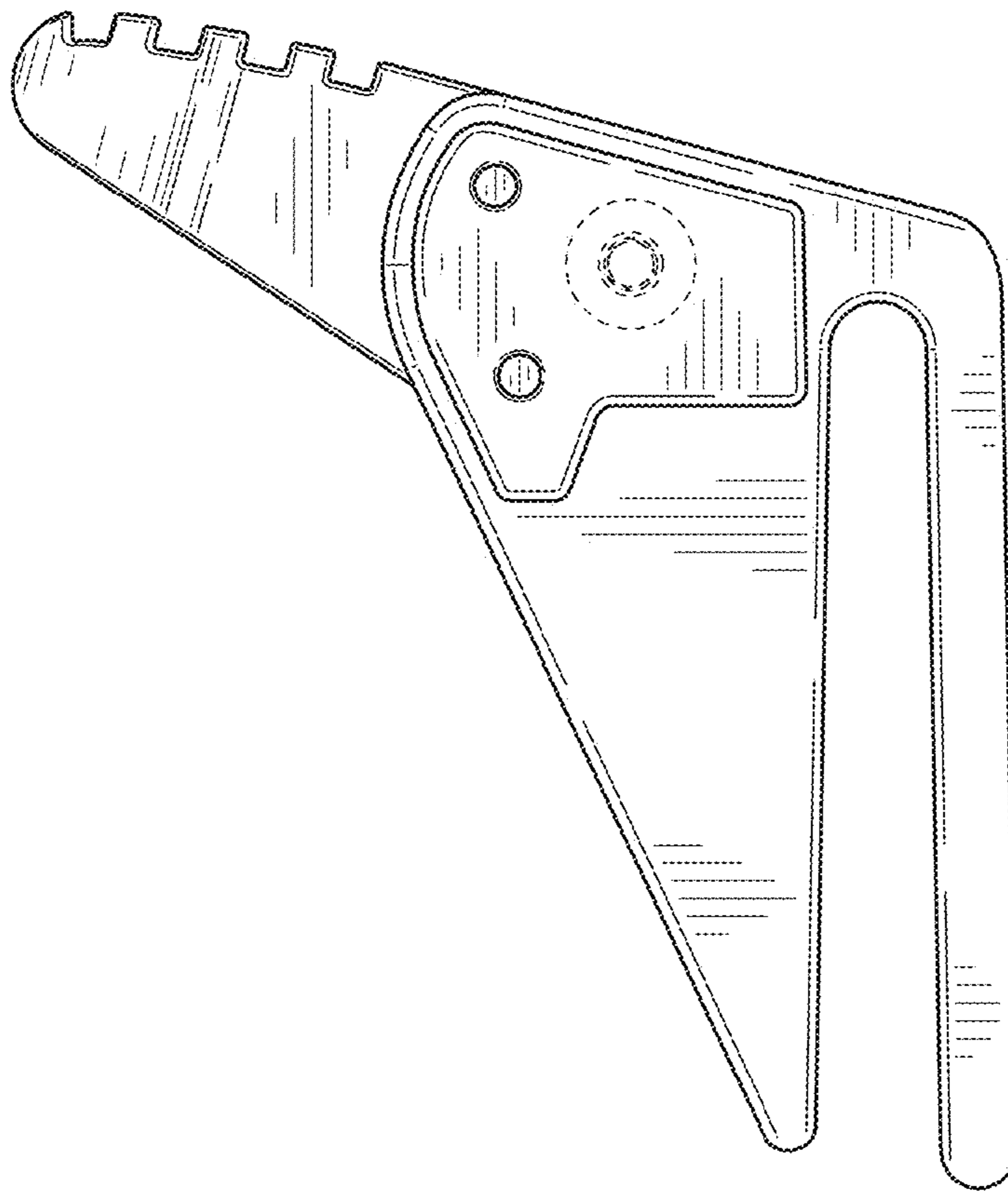


FIG. 4

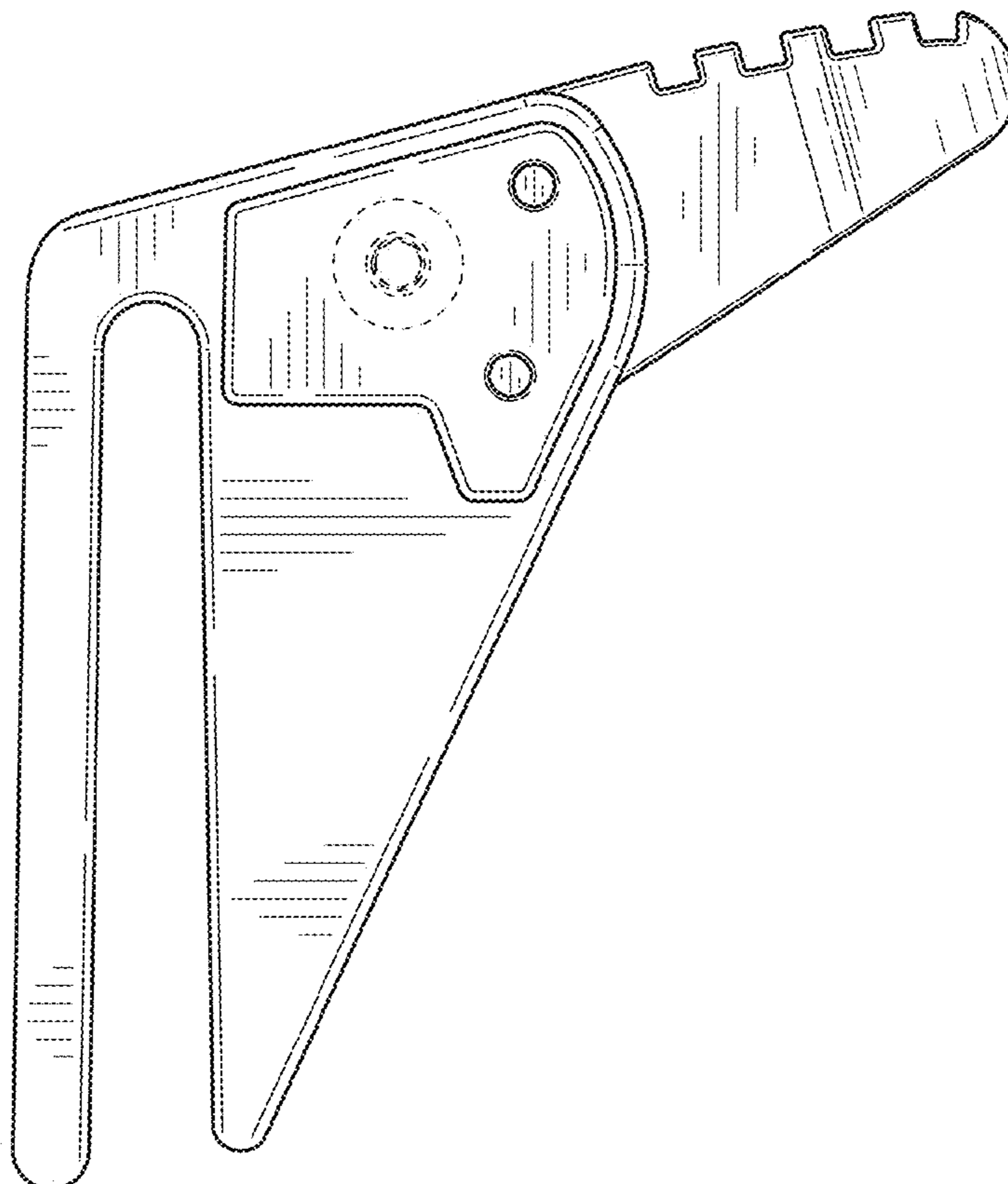


FIG. 5

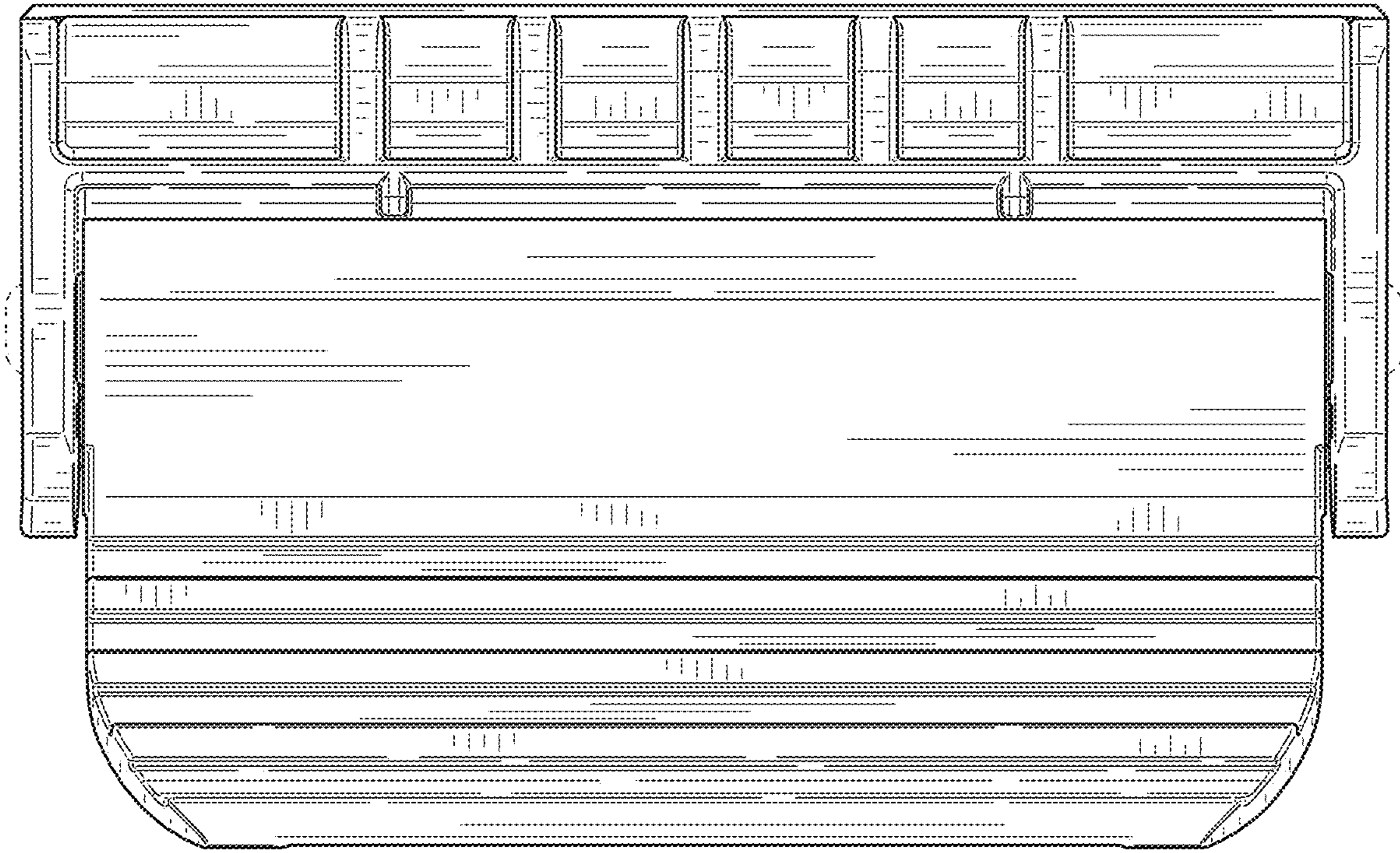


FIG. 6

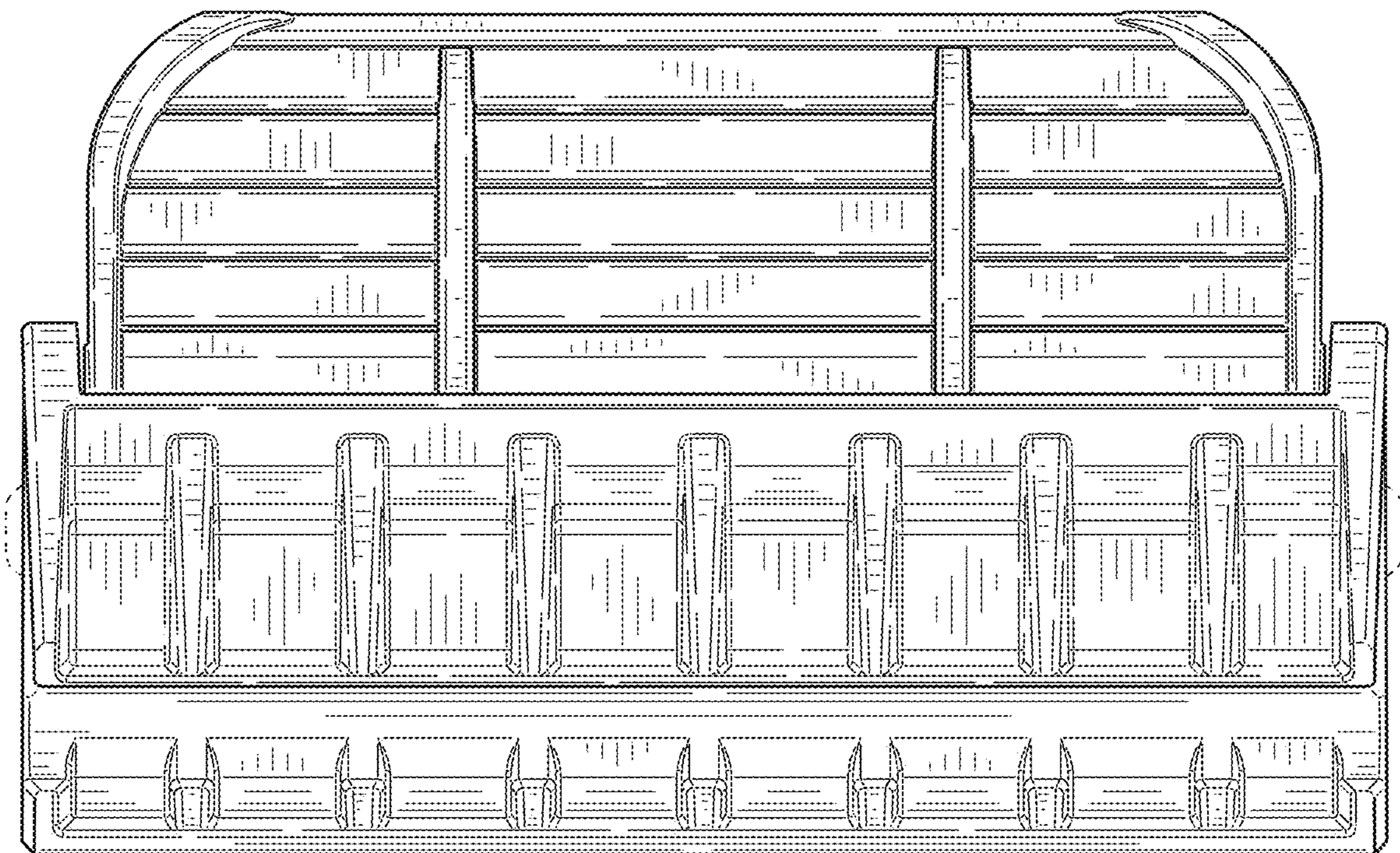


FIG. 7