



US00D904720S

(12) **United States Design Patent** (10) **Patent No.:** **US D904,720 S**  
**O'Brien et al.** (45) **Date of Patent:** **\*\* Dec. 8, 2020**

(54) **PALLET CONE**  
(71) Applicant: **GLOBAL INDUSTRIAL DISTRIBUTION INC.**, Port Washington, NY (US)  
(72) Inventors: **Joshua O'Brien**, Port Washington, NY (US); **Bruce Zutler**, Port Washington, NY (US)  
(73) Assignee: **GLOBAL INDUSTRIAL DISTRIBUTION INC.**, Port Washington, NY (US)  
(\*\*) Term: **15 Years**  
(21) Appl. No.: **29/674,432**  
(22) Filed: **Dec. 21, 2018**  
(51) **LOC (12) Cl.** ..... **12-05**  
(52) **U.S. Cl.**  
USPC ..... **D34/28**  
(58) **Field of Classification Search**  
USPC ..... D34/28, 29, 30, 31, 32, 33, 34, 35, 36, D34/37, 38, 39; D10/113.4, 110  
CPC ..... G09F 13/16; G09F 15/0062; E01F 9/654; E01F 9/688  
See application file for complete search history.

D719,480 S \* 12/2014 Carter ..... D11/143  
D736,599 S \* 8/2015 Gringer ..... D21/505  
D749,684 S \* 2/2016 Holland ..... D21/706  
D835,614 S \* 12/2018 Kahn ..... D14/240  
D845,401 S \* 4/2019 Freeman ..... D21/505  
2004/0107619 A1\* 6/2004 Perelli ..... G09F 19/22  
40/610  
2009/0308304 A1\* 12/2009 Ho ..... G09F 13/16  
116/63 T  
2015/0114281 A1\* 4/2015 Bartuli ..... G09F 19/22  
116/63 T

**OTHER PUBLICATIONS**

GI Pallet Cone: Link exceeds character limit, see attached PDF. (Year: 2019).\*  
Amazon No Stack Cone: Link exceeds character limit, see attached PDF. (Year: 2020).\*

\* cited by examiner

*Primary Examiner* — George A Bugg  
*Assistant Examiner* — Tamara L Hahn  
(74) *Attorney, Agent, or Firm* — Troutman Pepper Hamilton Sanders LLP

(57) **CLAIM**

The ornamental design for a pallet cone, substantially shown and described herein.

**DESCRIPTION**

FIG. 1 is a front perspective view of a pallet cone; FIG. 2 is a front view thereof; FIG. 3 is a left-side view thereof; FIG. 4 is a right-side view thereof; FIG. 5 is a top view thereof; and FIG. 6 is a bottom view thereof; and, FIG. 7 is a flattened view thereof. The broken line showing the environment in the drawings is for illustrative purposes only and forms no part of the claimed design.

**1 Claim, 4 Drawing Sheets**

(56) **References Cited**

**U.S. PATENT DOCUMENTS**

D33,787 S \* 12/1900 Meiners ..... D23/249  
D224,934 S \* 10/1972 Gilstrap ..... D30/108  
D276,773 S \* 12/1984 Rodriguez ..... D11/131  
4,798,747 A \* 1/1989 Laramee ..... E01F 9/688  
116/63 C  
5,225,254 A \* 7/1993 Foulke ..... E01F 9/654  
116/63 C  
D399,713 S \* 10/1998 Allen ..... D8/1  
D478,194 S \* 8/2003 McGinty ..... D30/160  
D660,685 S \* 5/2012 Bucci ..... D21/505  
D700,859 S \* 3/2014 Neubert ..... D10/113.3

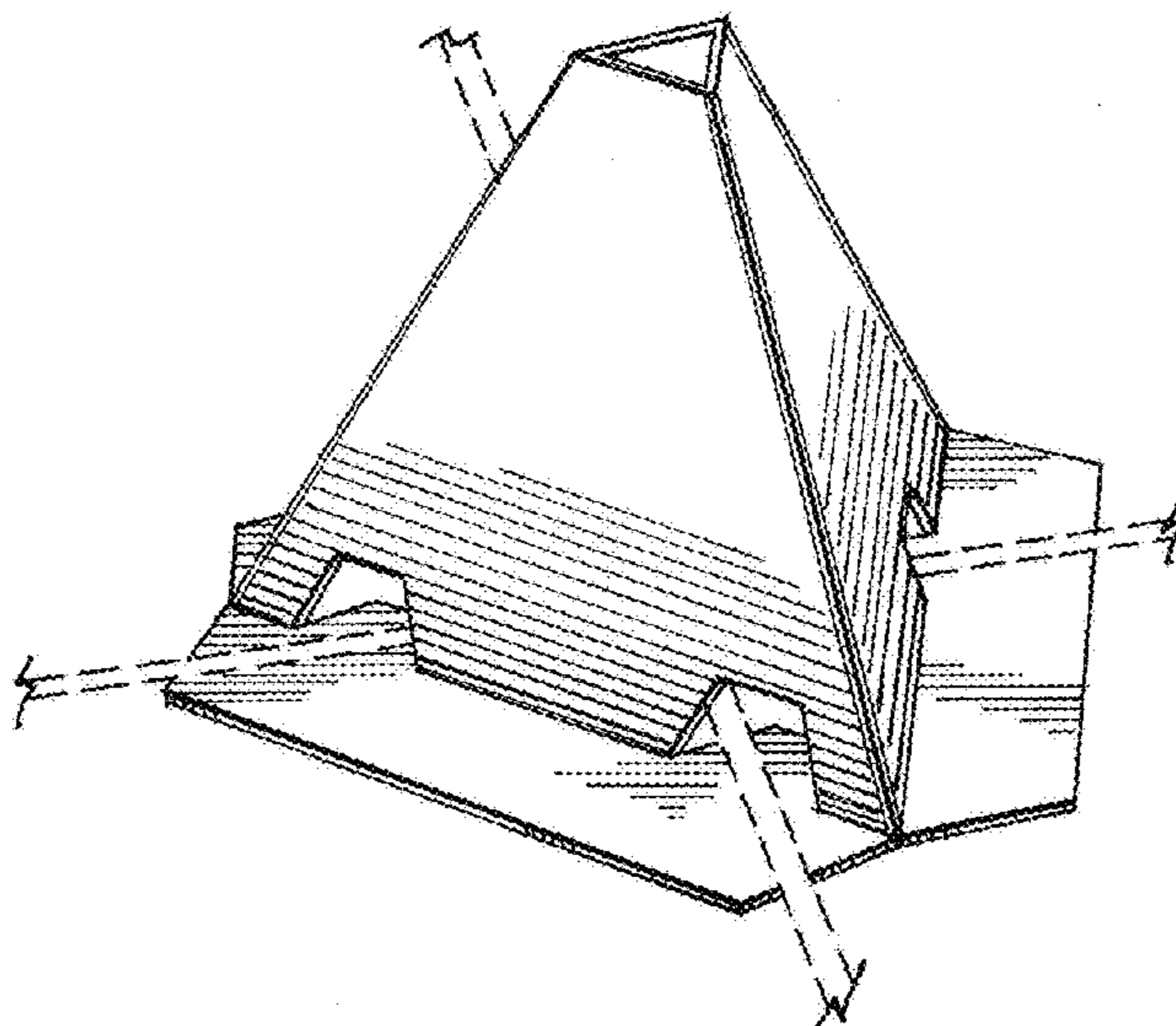


FIG. 1

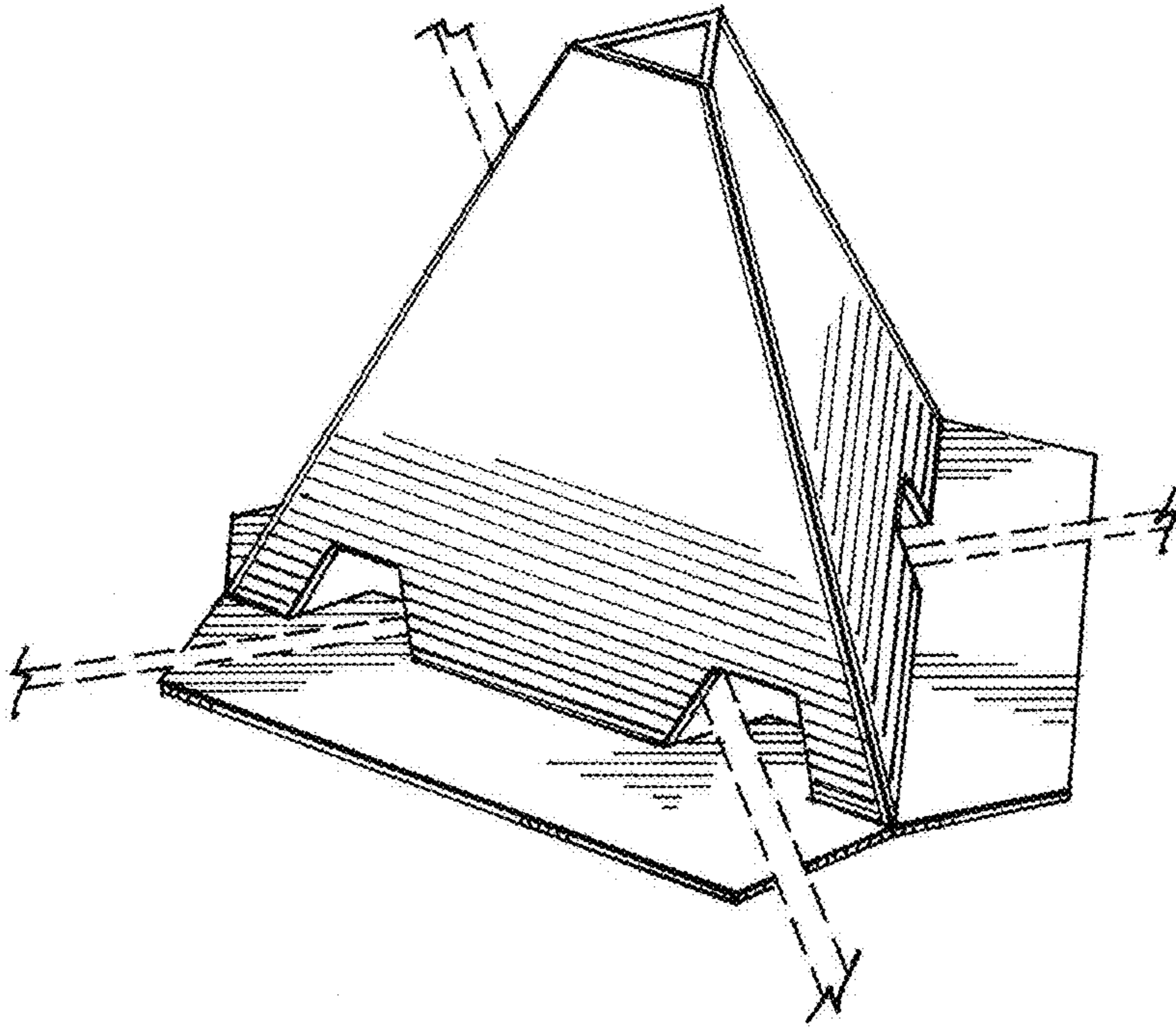
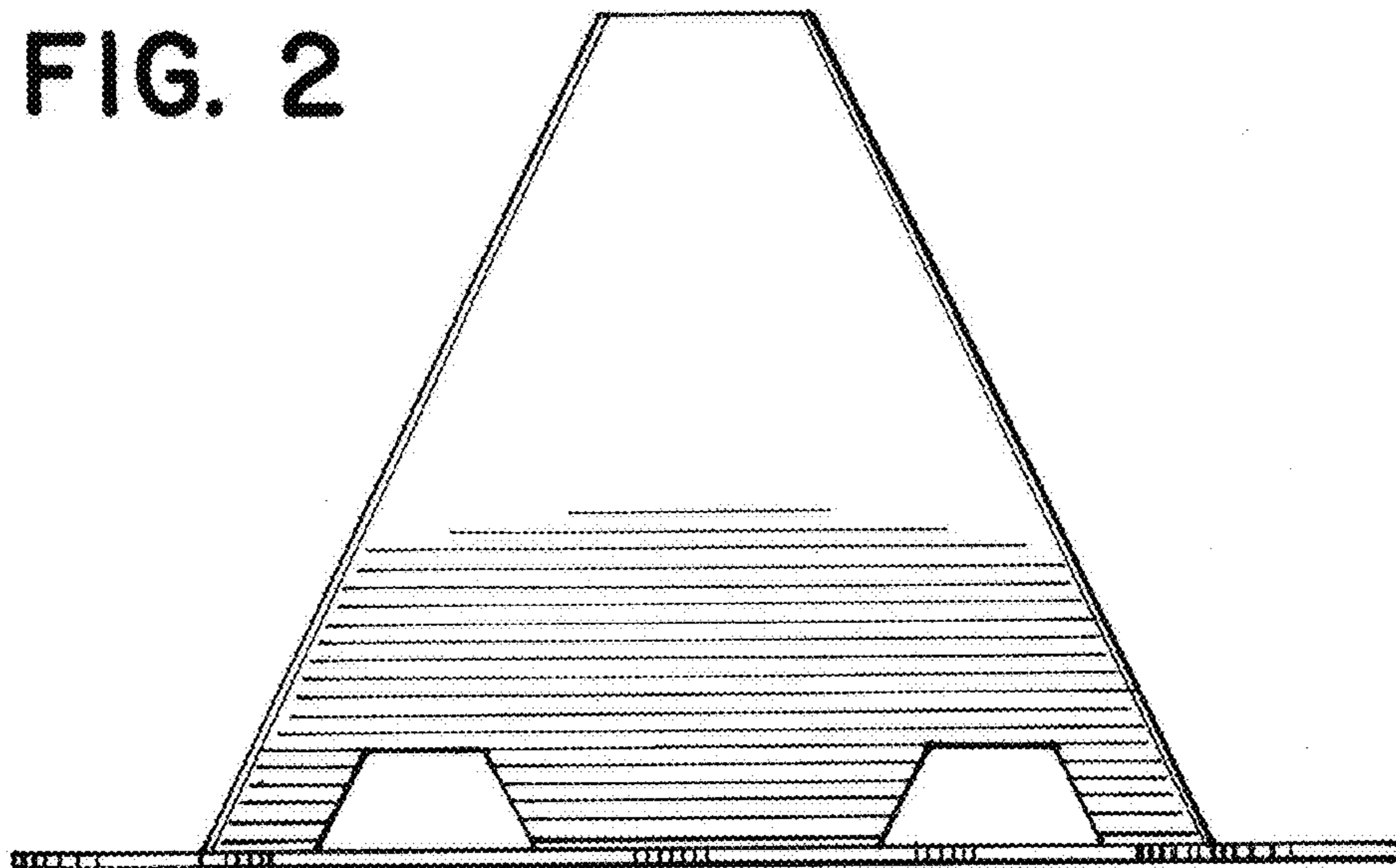


FIG. 2



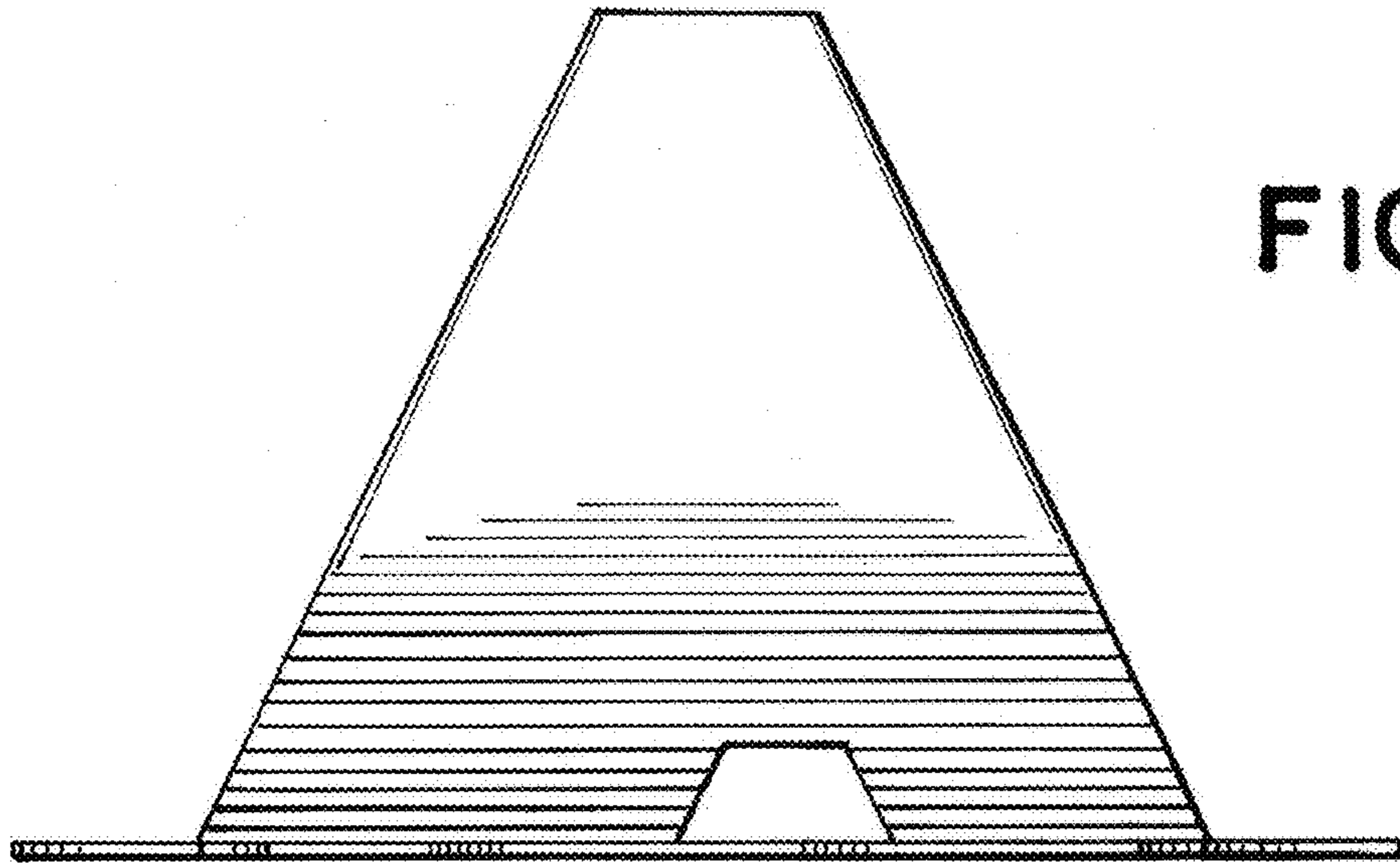
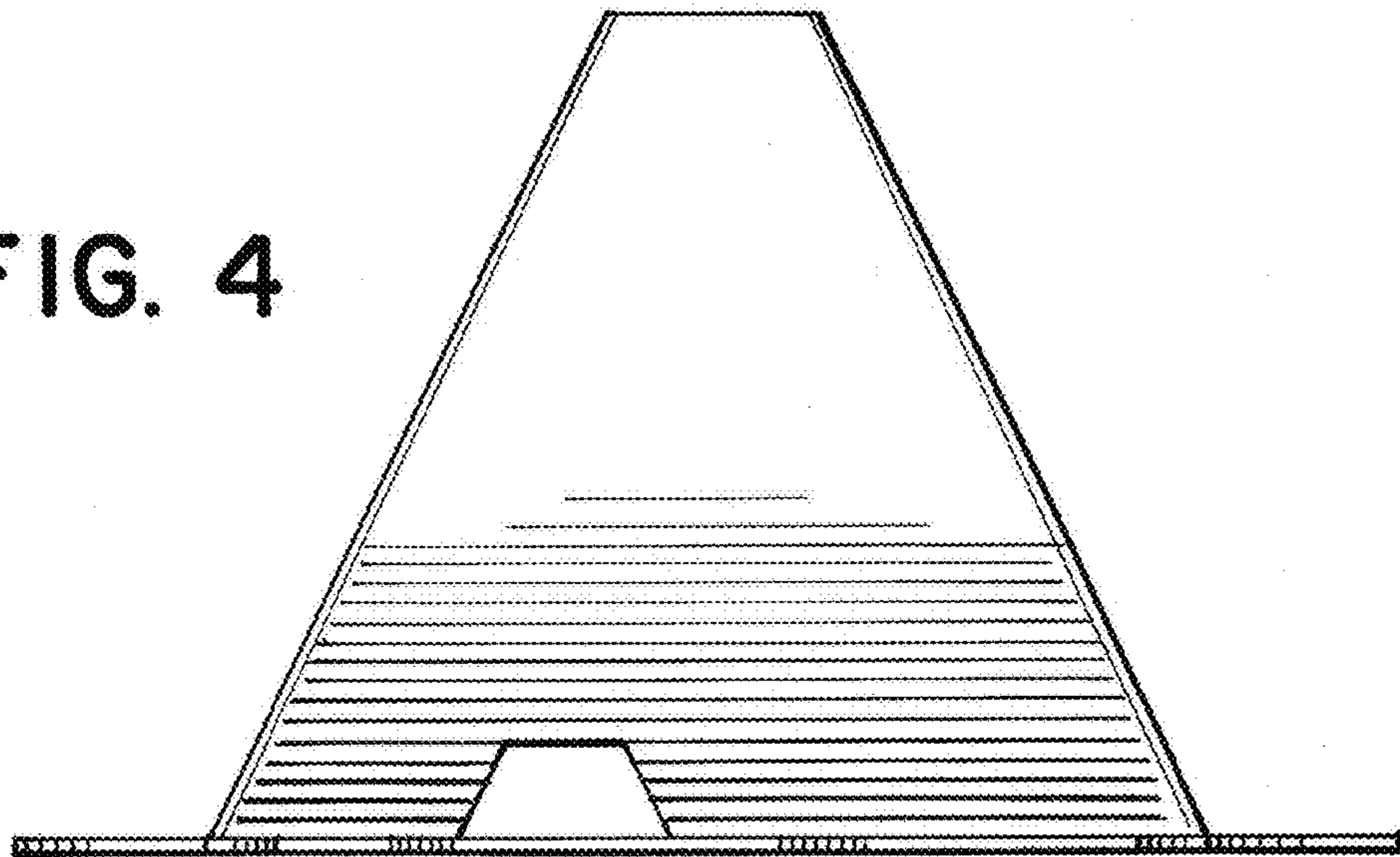
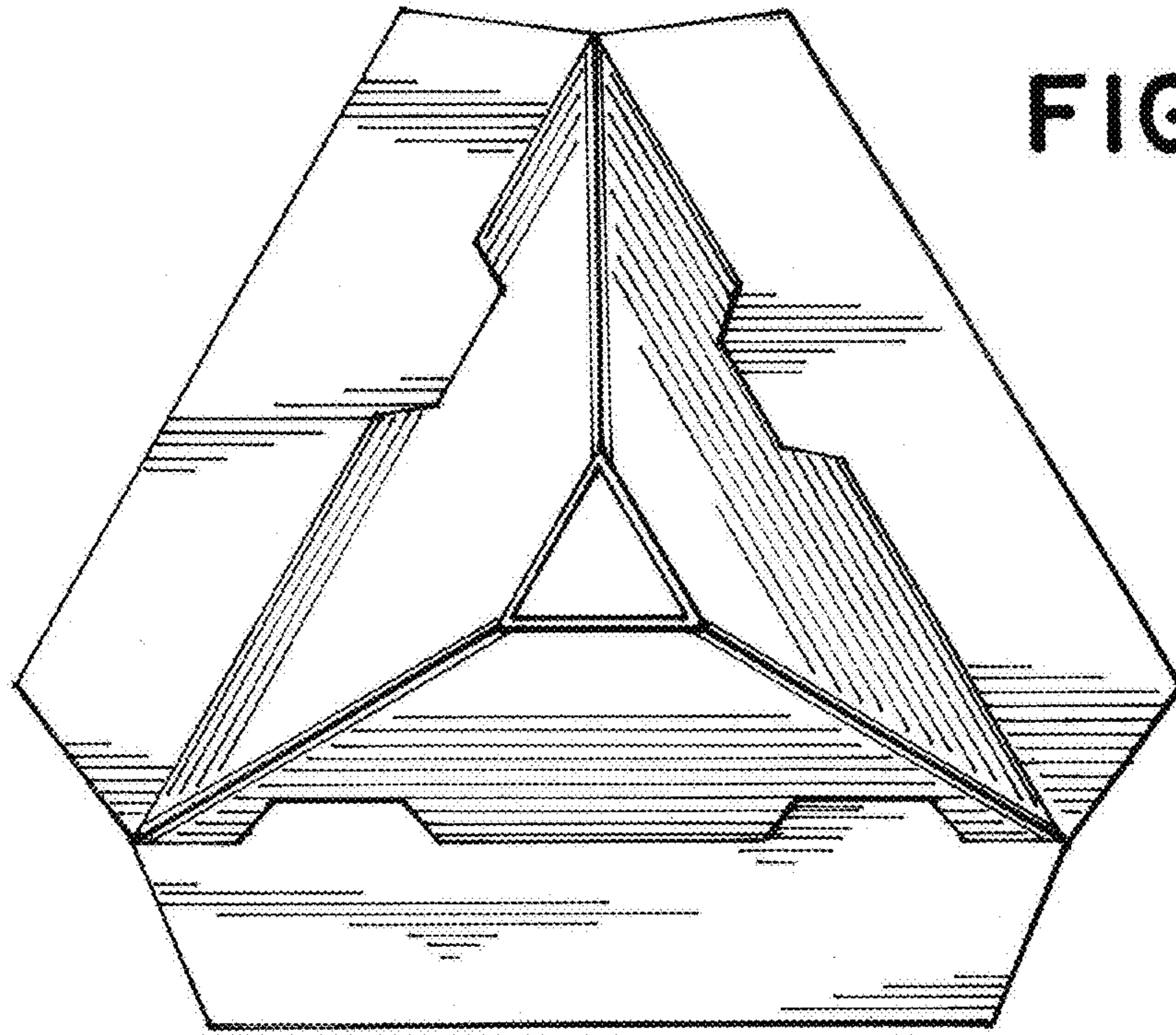


FIG. 3

FIG. 4





**FIG. 5**

**FIG. 6**

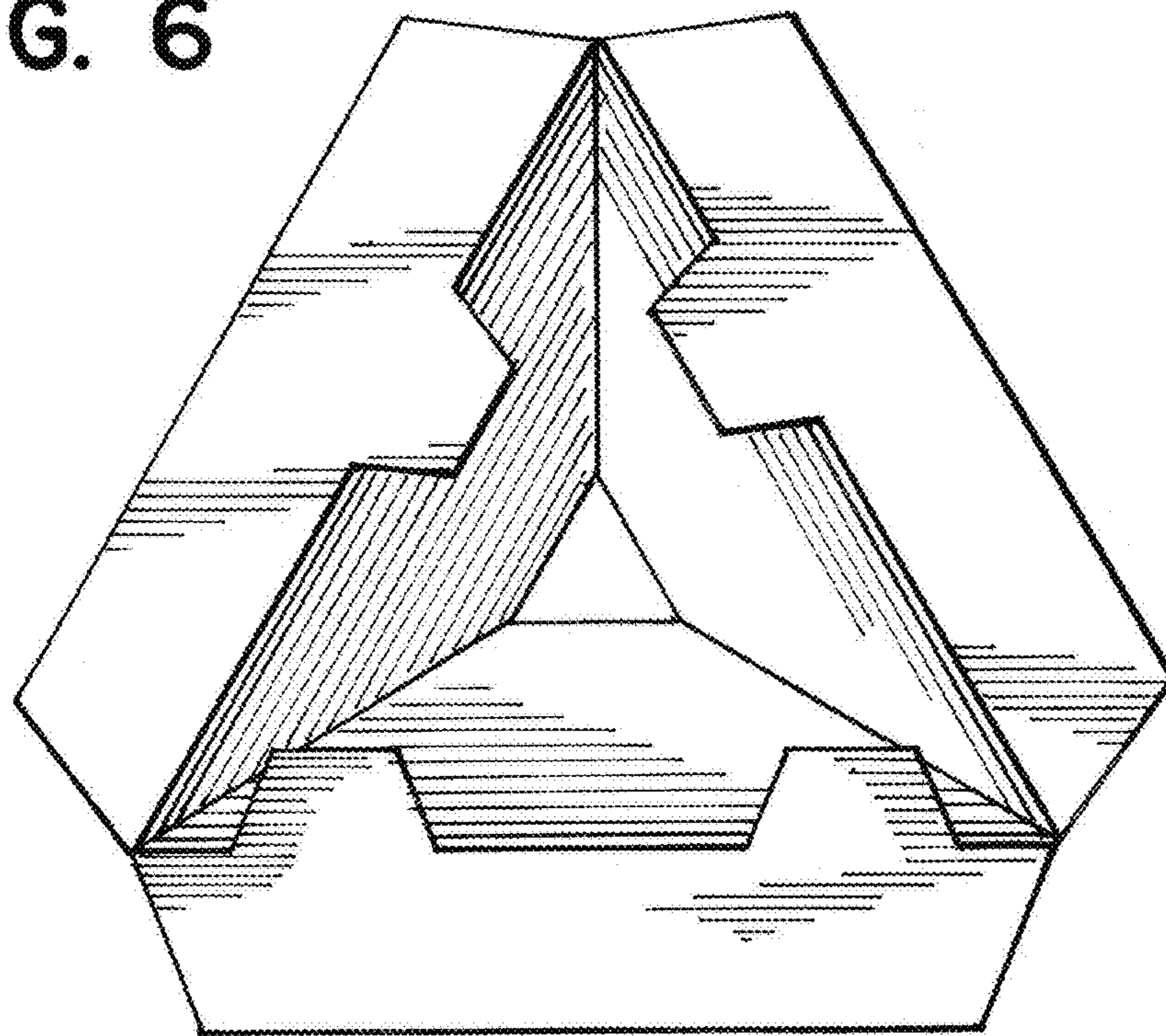


FIG. 7

