



US00D904719S

(12) **United States Design Patent** (10) **Patent No.:** **US D904,719 S**
Lindström (45) **Date of Patent:** **** Dec. 8, 2020**

(54) **DOLLY**
(71) Applicants: **K. Hartwall Oy Ab**, Söderkulla (FI);
Container Centralen A/S, Odense SV (DK)

2012/0049472 A1* 3/2012 Patterson B62B 3/16
280/33.998
2013/0154218 A1* 6/2013 Tiilikainen B62B 3/16
280/79.11
2020/0055534 A1* 2/2020 Hassell B62B 5/0093

(72) Inventor: **Johan Lindström**, Söderkulla (FI)
(73) Assignees: **K. HARTWALL OY AB**, Söderkulla (FI); **CONTAINER CENTRALEN A/S**, Odense SV (DK)

OTHER PUBLICATIONS

Google search May 29, 2020, www.container-centralen, CCEuro Dolly (Year: 2020).*

* cited by examiner

(**) Term: **15 Years**

Primary Examiner — Cynthia Ramirez

(21) Appl. No.: **29/661,888**

(74) *Attorney, Agent, or Firm* — McCormick, Paulding & Huber PLLC

(22) Filed: **Aug. 31, 2018**

(51) **LOC (12) Cl.** **12-02**

(57) **CLAIM**

(52) **U.S. Cl.**
USPC **D34/23**

The ornamental design for a dolly, substantially as shown and described.

(58) **Field of Classification Search**
USPC D34/23
CPC B62B 2202/90; B62B 3/16; B62B 3/1476
See application file for complete search history.

DESCRIPTION

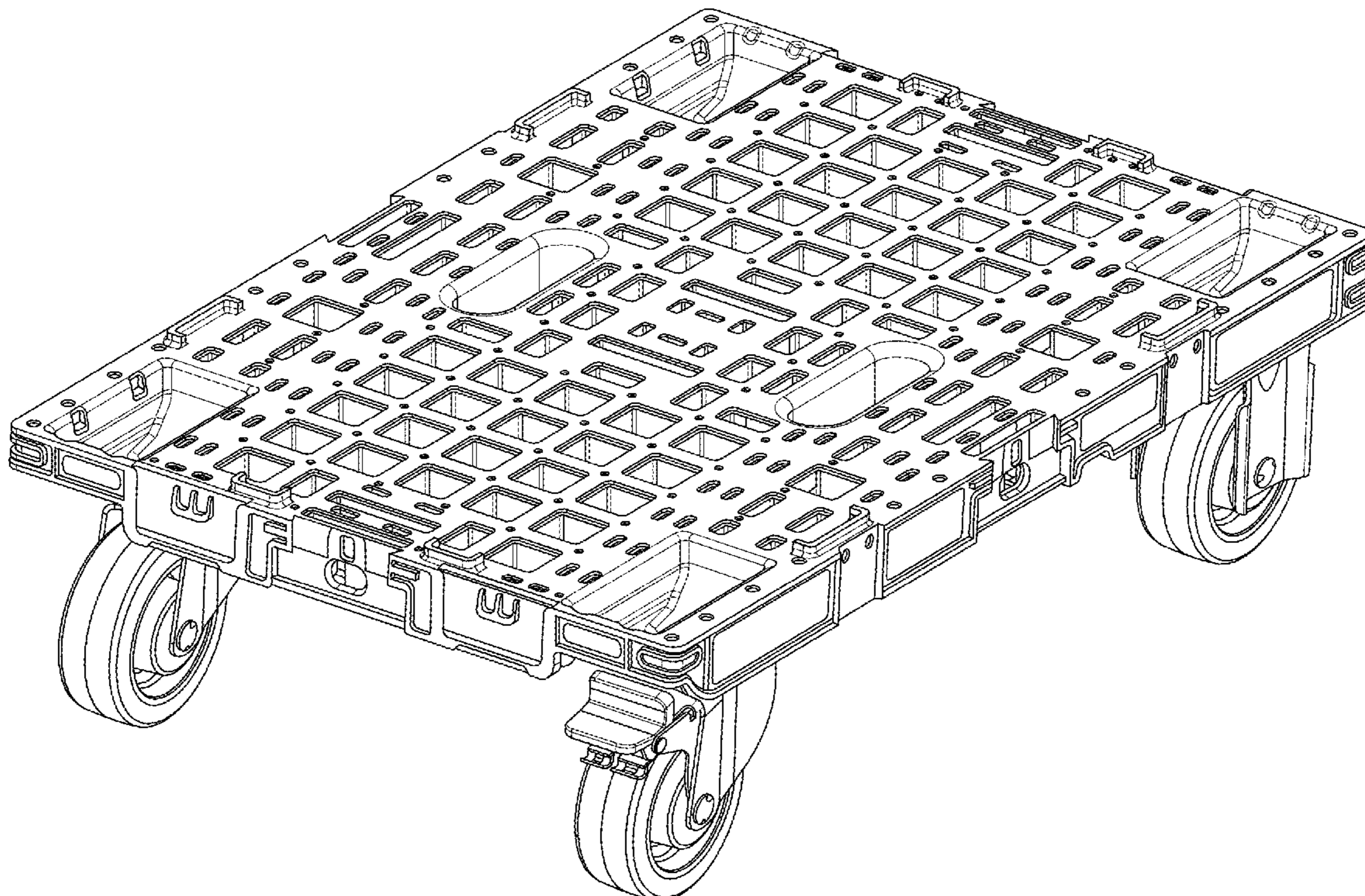
(56) **References Cited**

U.S. PATENT DOCUMENTS

D437,669 S * 2/2001 Blason D34/23
D456,972 S * 5/2002 Blason D34/23
D825,881 S * 8/2018 Cope D34/23
D828,671 S * 9/2018 Cope D34/23
D867,710 S * 11/2019 Mizuguchi D34/23
D871,013 S * 12/2019 Liu D34/23
10,494,141 B2 * 12/2019 Wood B65D 19/385

FIG. 1 is a front, right side and top perspective view of a dolly showing my new design;
FIG. 2 is a bottom, left side and rear perspective view thereof;
FIG. 3 is a top view thereof;
FIG. 4 is a bottom view thereof;
FIG. 5 is a front view thereof;
FIG. 6 is a right side view thereof;
FIG. 7 is a left side view thereof; and,
FIG. 8 is a rear view thereof.

1 Claim, 8 Drawing Sheets



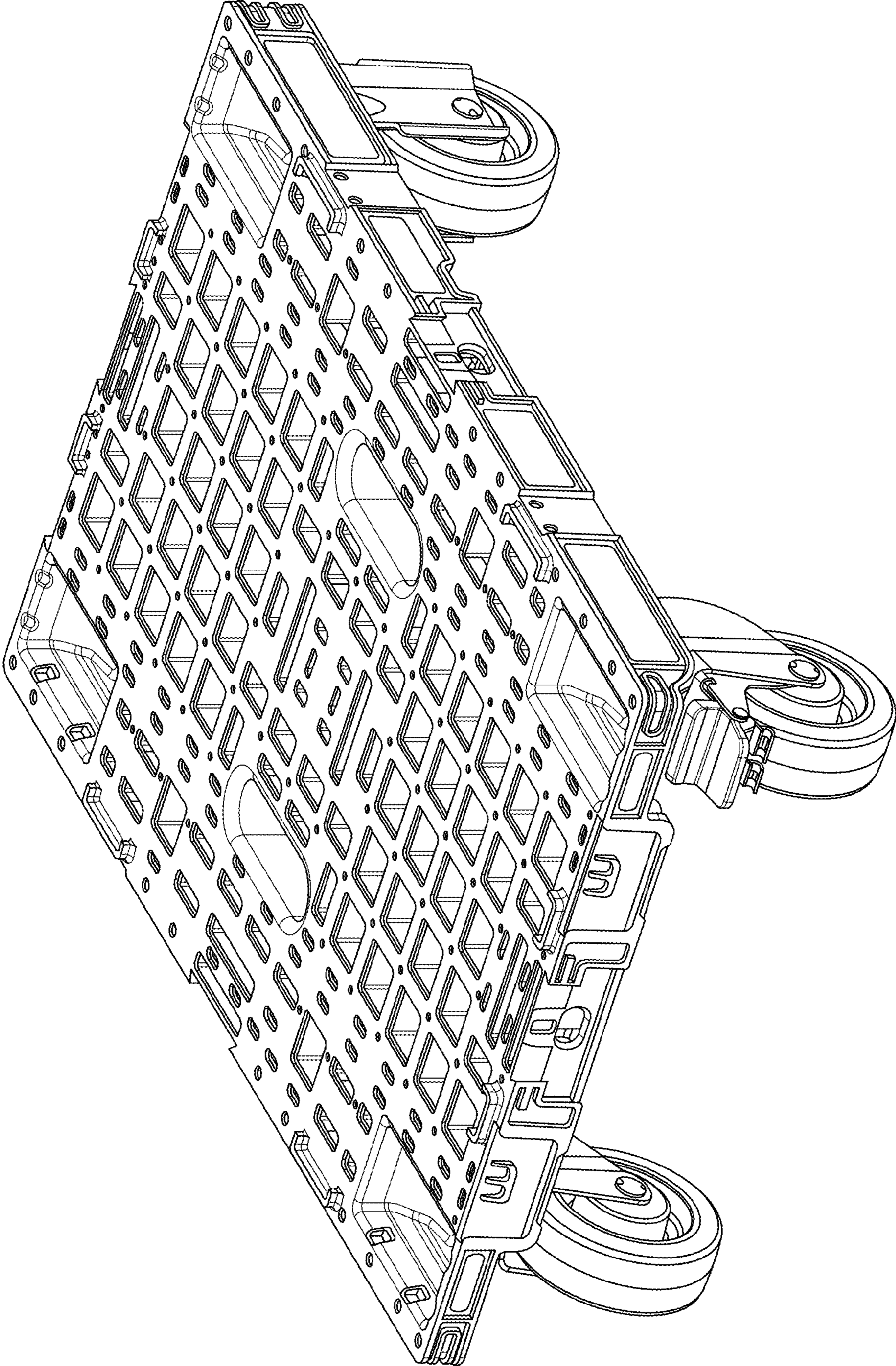


FIG. 1

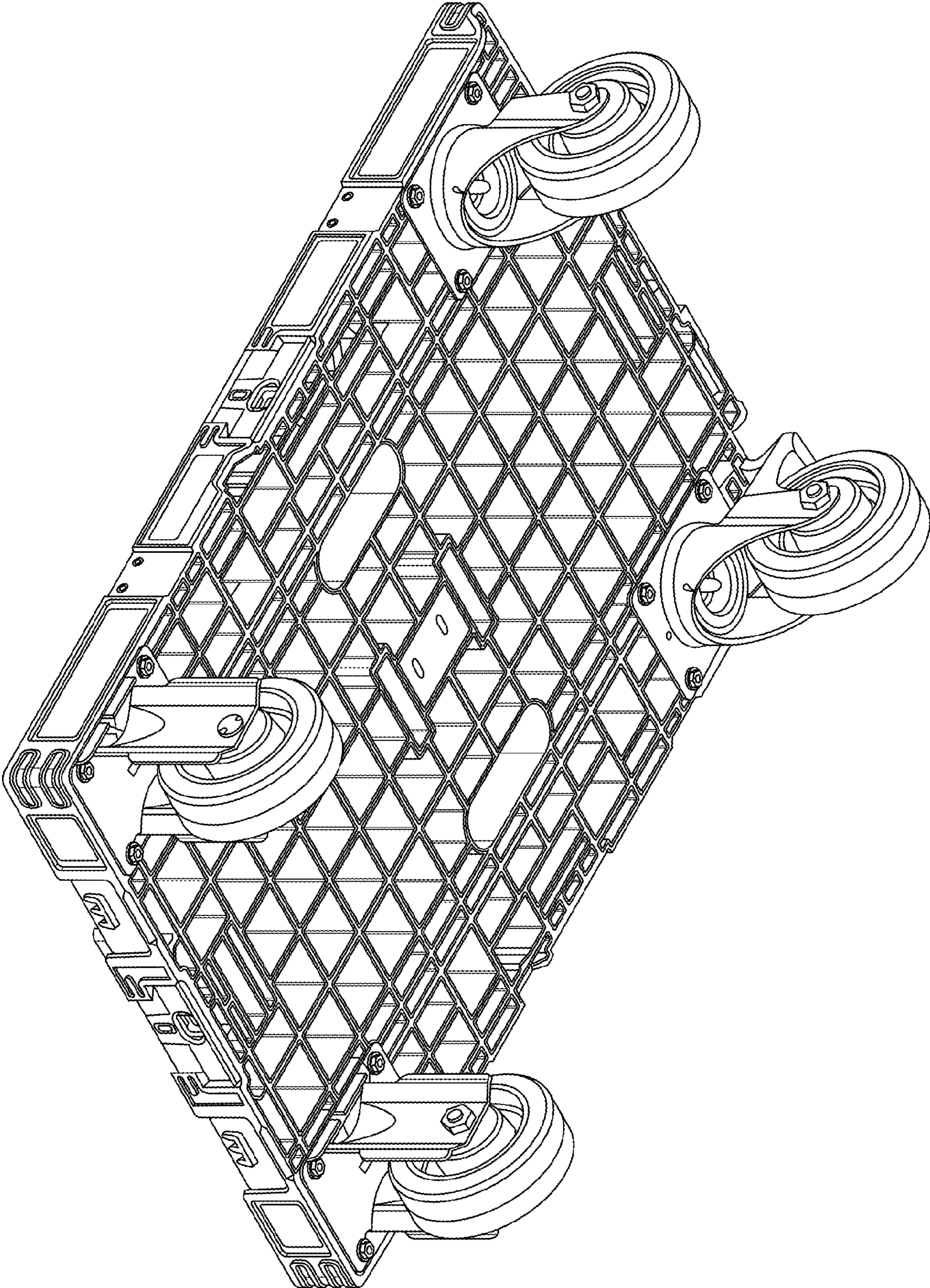


FIG. 2

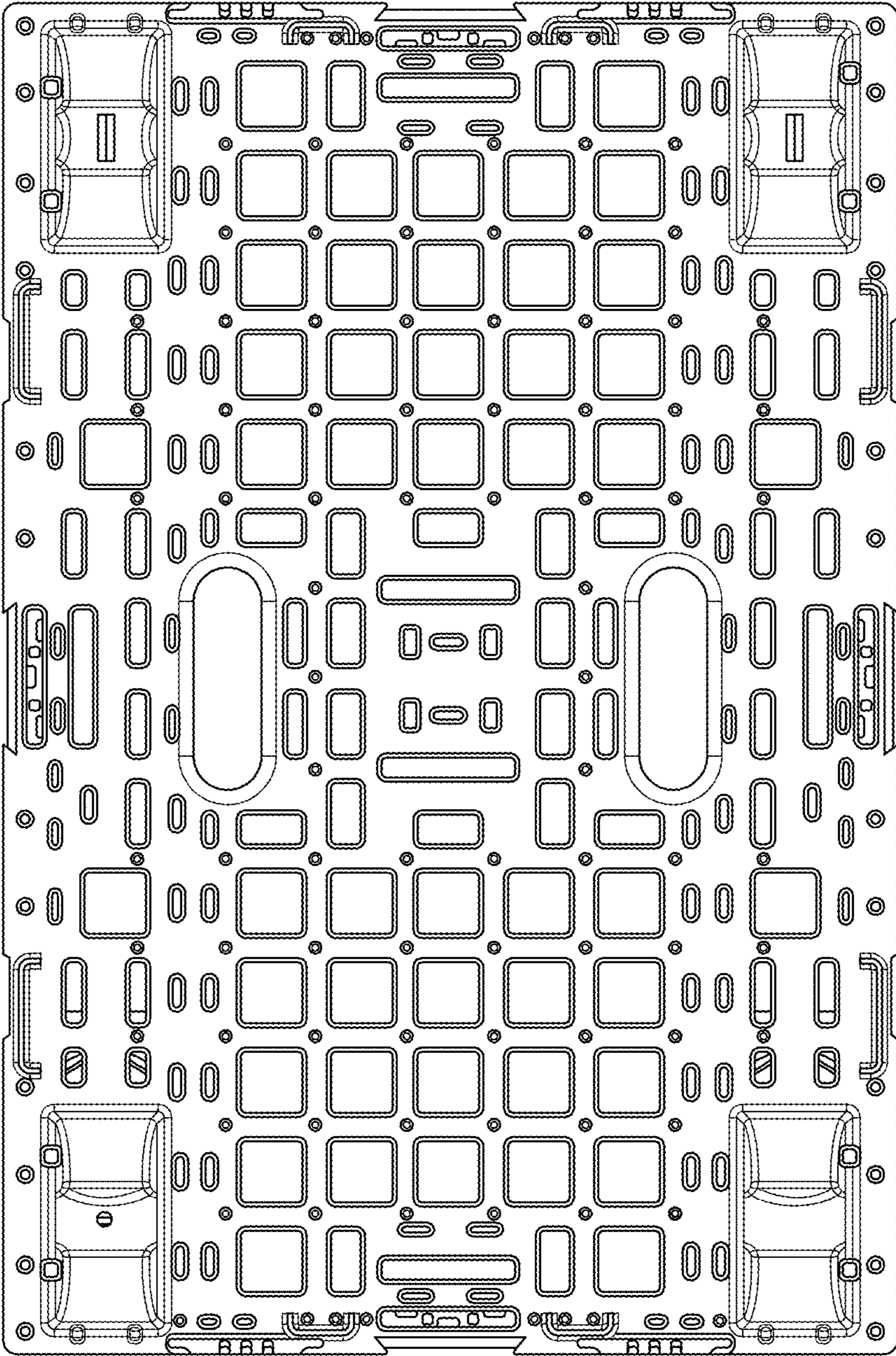


FIG. 3

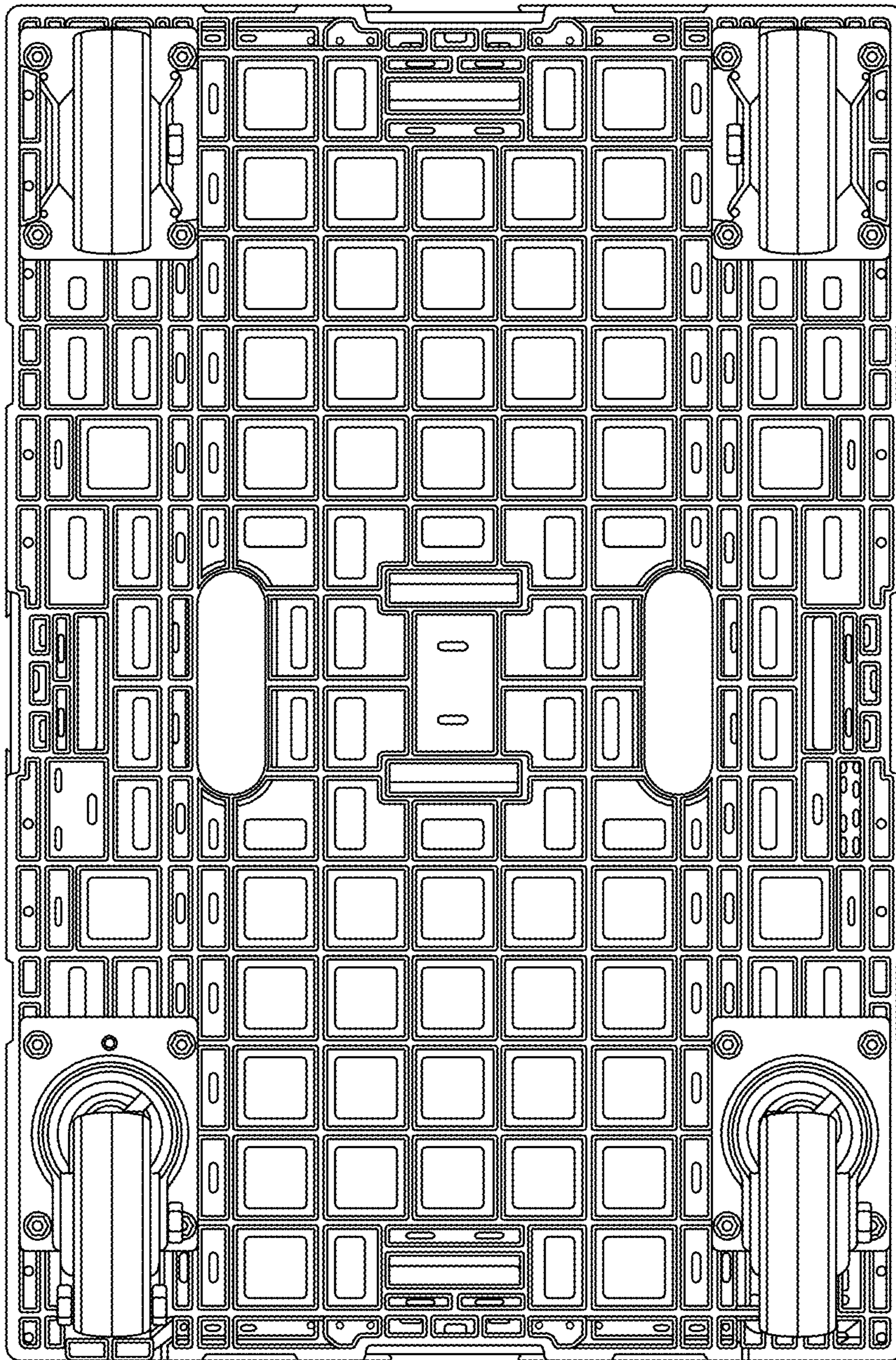


FIG. 4

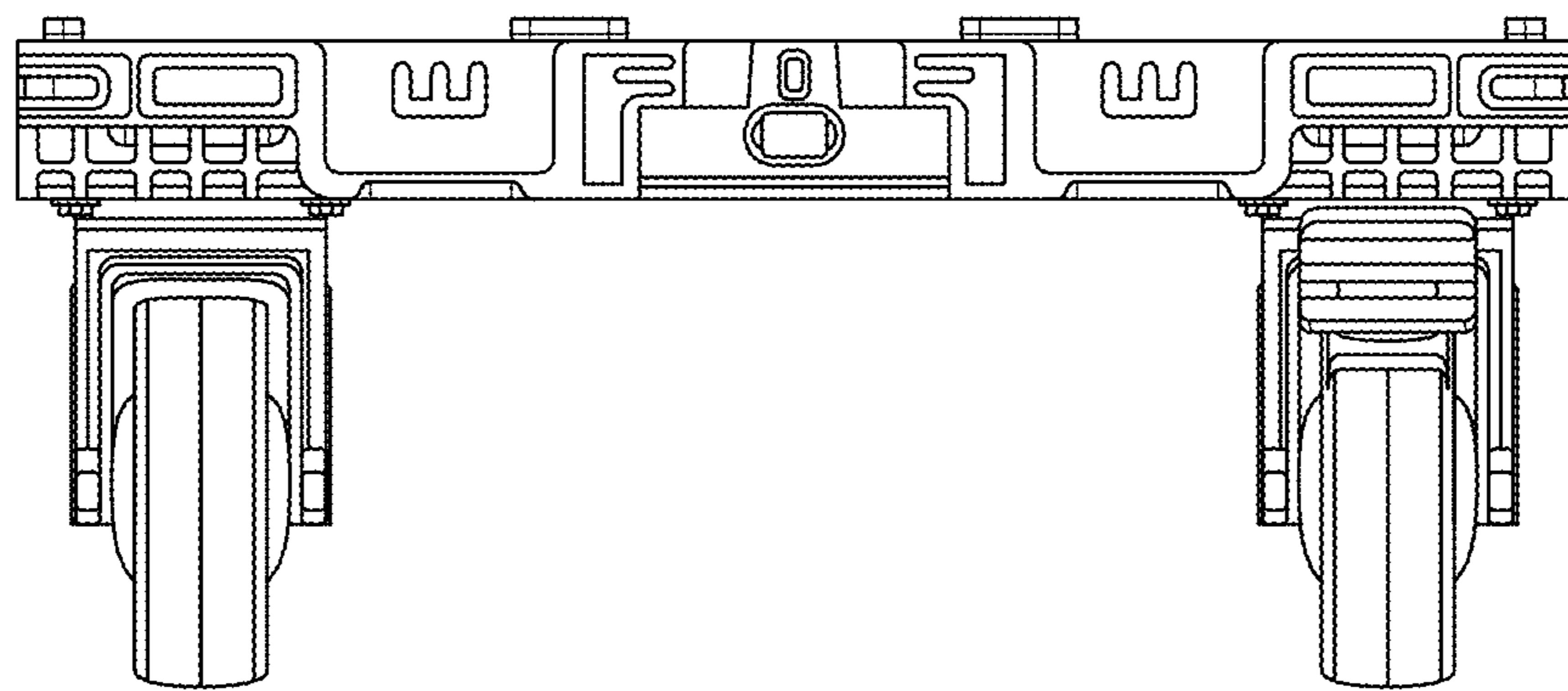


FIG. 5

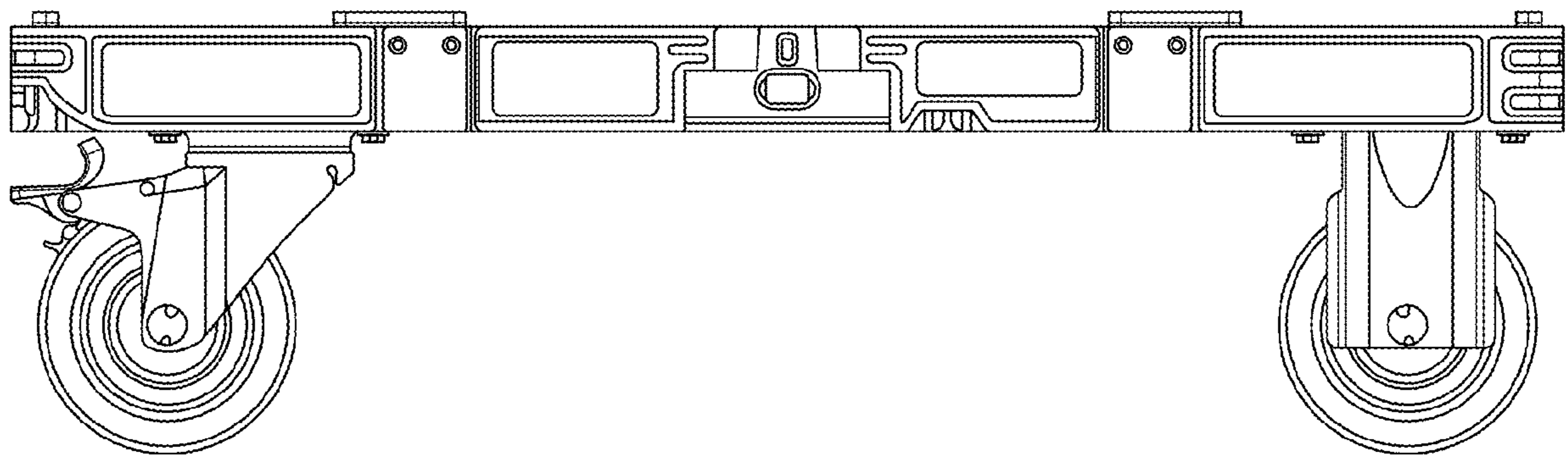


FIG. 6

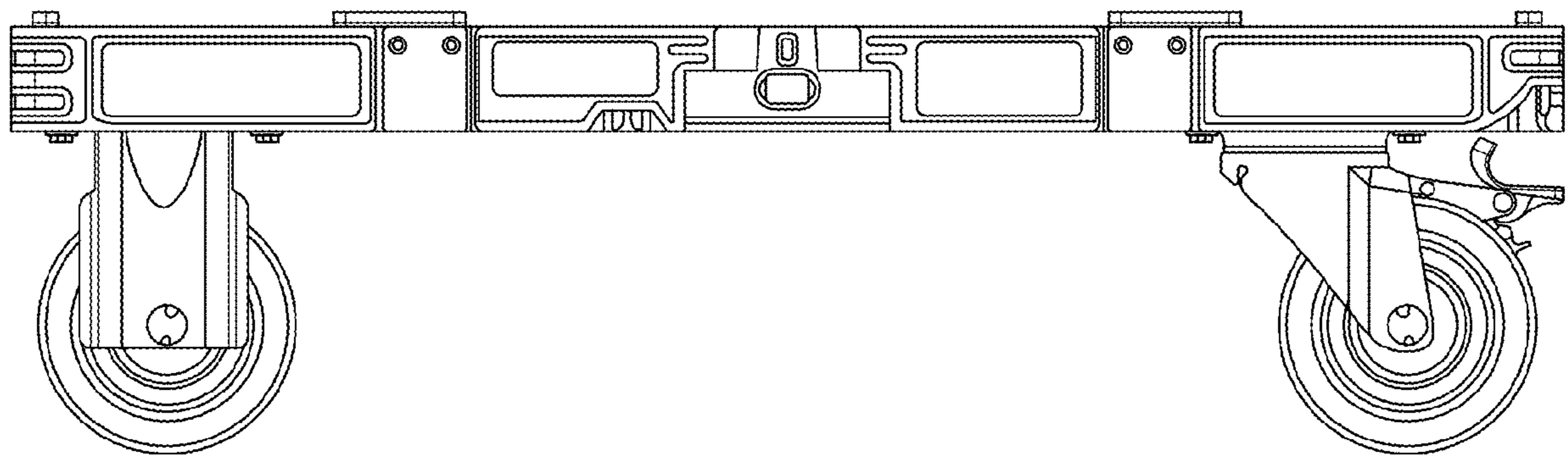


FIG. 7

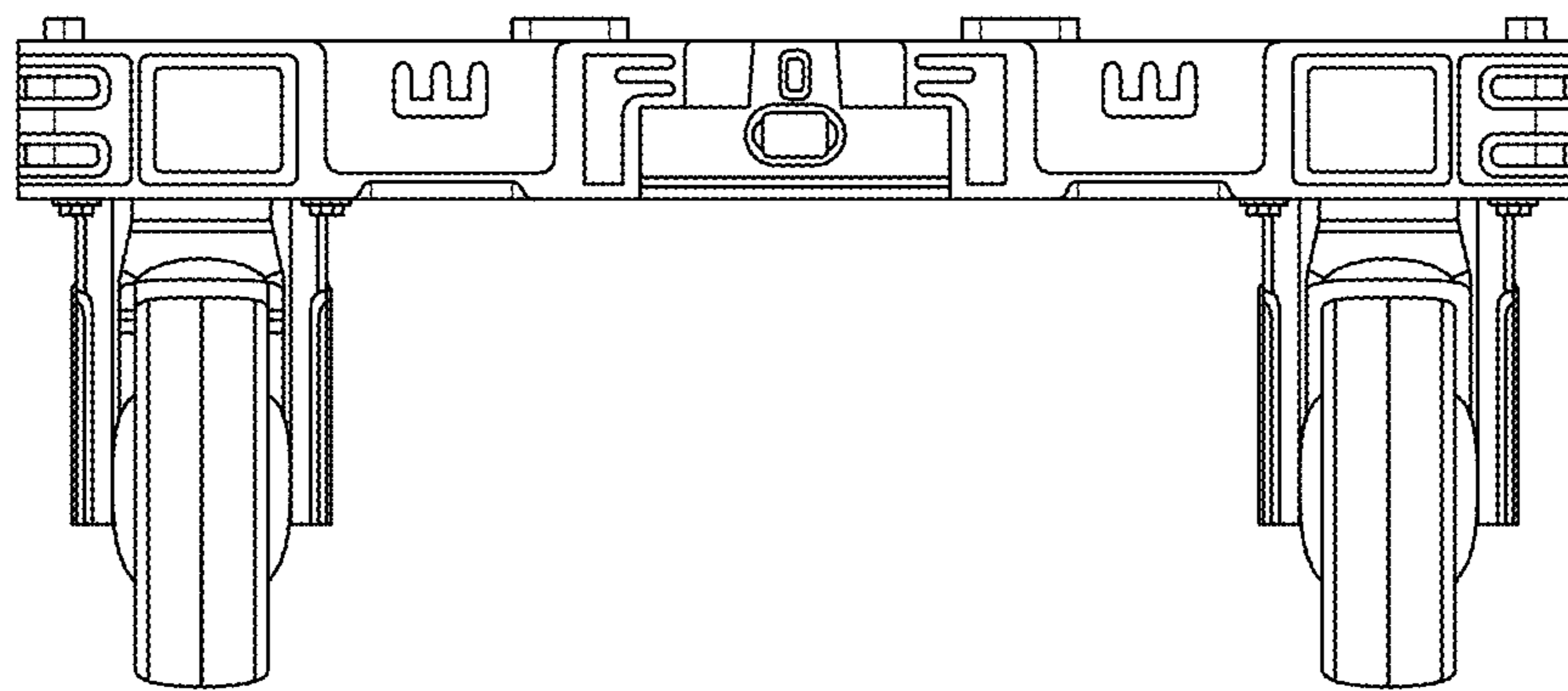


FIG. 8

UNITED STATES PATENT AND TRADEMARK OFFICE
CERTIFICATE OF CORRECTION

PATENT NO. : D904,719 S
APPLICATION NO. : 29/661888
DATED : December 8, 2020
INVENTOR(S) : Johan Lindström

Page 1 of 1

It is certified that error appears in the above-identified patent and that said Letters Patent is hereby corrected as shown below:

On the Title Page

In the Foreign Priority, Insert:

--European Design Application No. 004734218-0001, filed March 1, 2018--

Signed and Sealed this
Eighth Day of June, 2021



Drew Hirshfeld
*Performing the Functions and Duties of the
Under Secretary of Commerce for Intellectual Property and
Director of the United States Patent and Trademark Office*