



US00D904717S

(12) **United States Design Patent** (10) **Patent No.:** **US D904,717 S**
Wohlstadter et al. (45) **Date of Patent:** **** Dec. 8, 2020**

(54) **SHUTTLE**

(56) **References Cited**

(71) Applicant: **Meso Scale Technologies, LLC.**,
Rockville, MD (US)
(72) Inventors: **Jacob N. Wohlstadter**, Potomac, MD
(US); **Rodger Darin Osborne**, Stuart,
FL (US); **Jennifer Parker**, Frederick,
MD (US); **Aaron Leimkuehler**, Upper
St. Clair, PA (US); **Manish Kochar**,
Rockville, MD (US); **Peter Bosco**,
Rockville, MD (US); **Michael Wade**,
Ocean Pines, MD (US); **Gary Krivoy**,
Rockville, MD (US)
(73) Assignee: **Meso Scale Technologies, LLC.**,
Rockville, MD (US)

U.S. PATENT DOCUMENTS

D361,188	S	*	8/1995	Perelli	D34/17
D485,410	S	*	1/2004	Van LANDINGHAM, Jr.	D34/21
D487,604	S	*	3/2004	Van LANDINGHAM, Jr.	D34/12
6,796,565	B2	*	9/2004	Choi	B62B 3/02 211/188
D578,269	S	*	10/2008	Van LANDINGHAM, Jr.	D34/17
D598,623	S	*	8/2009	Zang Wentz Pho	D34/20
D618,418	S	*	6/2010	Catron	D34/12
D618,419	S	*	6/2010	Catron	D34/12
D618,420	S	*	6/2010	Perelli	D34/17
D812,836	S	*	3/2018	Wohlstadter	D34/12
D831,292	S	*	10/2018	Thuma	D34/12
D880,096	S	*	3/2020	Wohlstadter	D34/21
2004/0227315	A1	*	11/2004	Van LANDINGHAM, Jr.	A47B 31/00 280/47.35

* cited by examiner

(**) Term: **15 Years**

Primary Examiner — Gino Colan

(21) Appl. No.: **29/676,723**

(74) *Attorney, Agent, or Firm* — Scully, Scott, Murphy & Presser, P.C.

(22) Filed: **Jan. 14, 2019**

(57) **CLAIM**

The ornamental design for a shuttle, as shown and described.

DESCRIPTION

Related U.S. Application Data

(63) Continuation-in-part of application No. 29/591,981,
filed on Jan. 25, 2017, now Pat. No. Des. 880,096.

(51) **LOC (12) Cl.** **12-02**

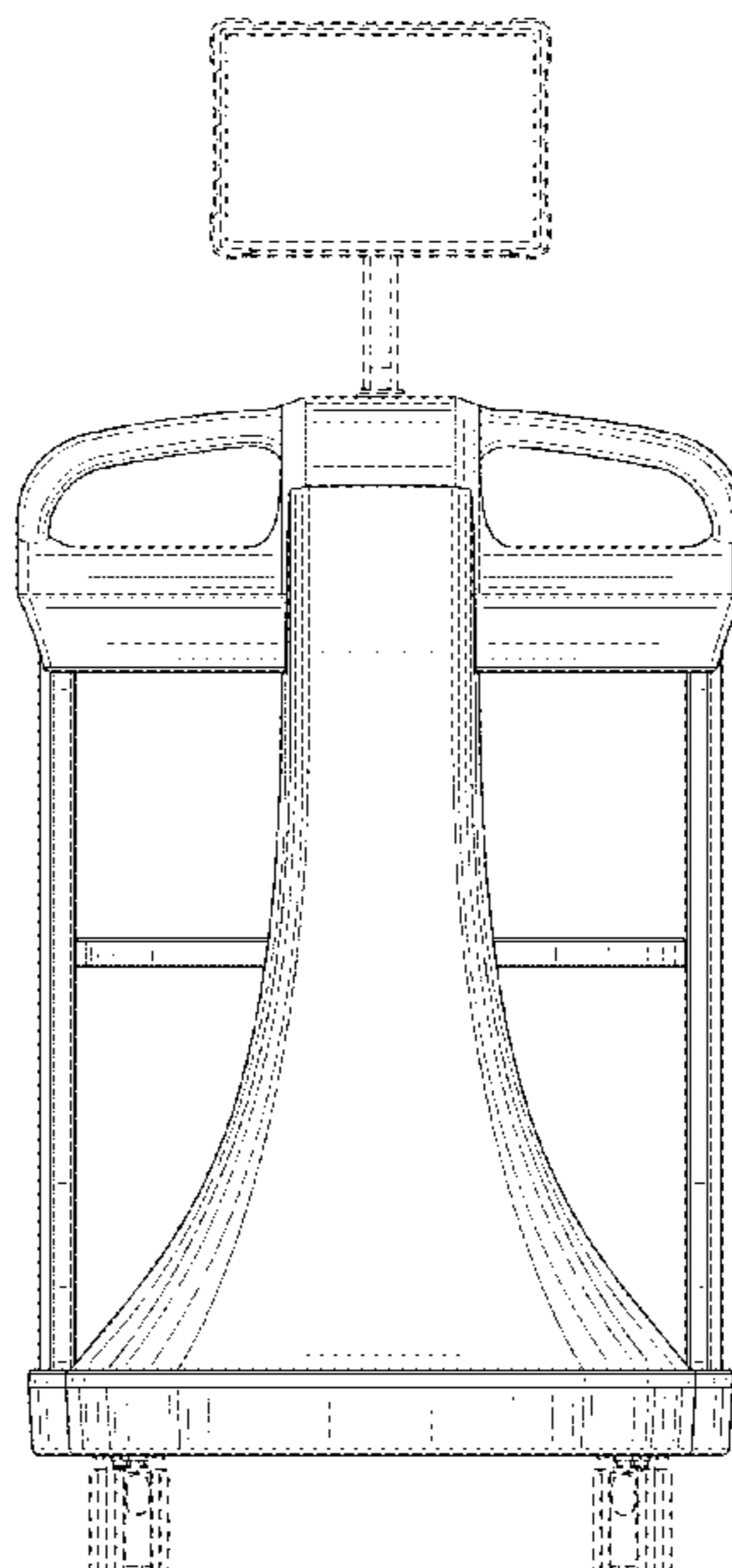
(52) **U.S. Cl.**
USPC **D34/21**

(58) **Field of Classification Search**
USPC D34/12, 13, 16-22, 25-27; 211/188;
280/651, 47.34, 47.35, 47.19, 47.17, 79.2
CPC B62B 1/12; B62B 3/02; B62B 5/0438;
B62B 3/0606

FIG. 1 is a front elevation view of a shuttle showing our new and ornamental design;
FIG. 2 is a side view thereof;
FIG. 3 is an opposite side view thereof;
FIG. 4 is a back elevation view thereof;
FIG. 5 is a bottom plan view thereof;
FIG. 6 is a perspective view thereof;
FIG. 7 is an alternate perspective view thereof; and,
FIG. 8 is a top plan view thereof.
The portions of the shuttle shown in broken lines shown in the figures attached hereto form no part of the claimed design.

See application file for complete search history.

1 Claim, 8 Drawing Sheets



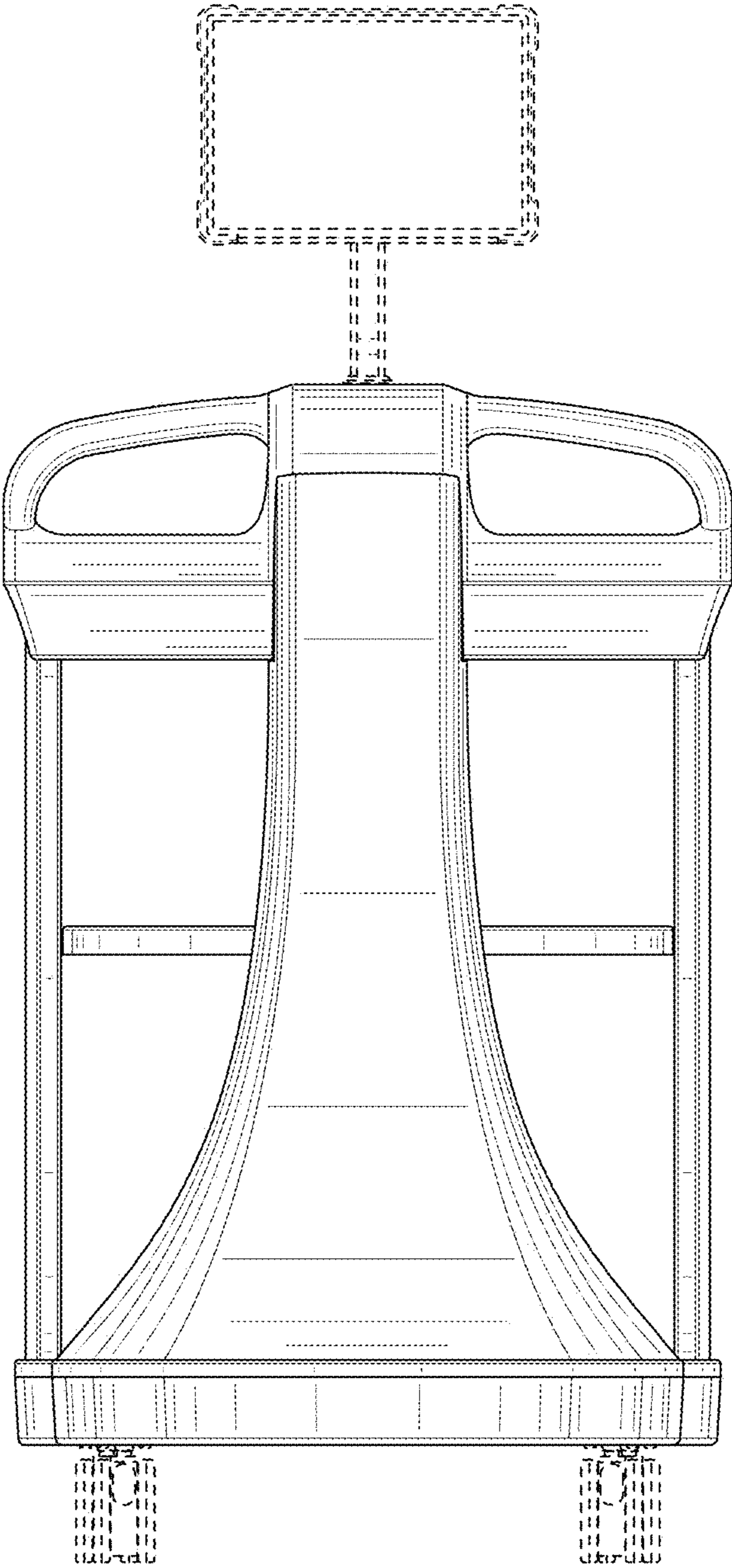


FIG. 1

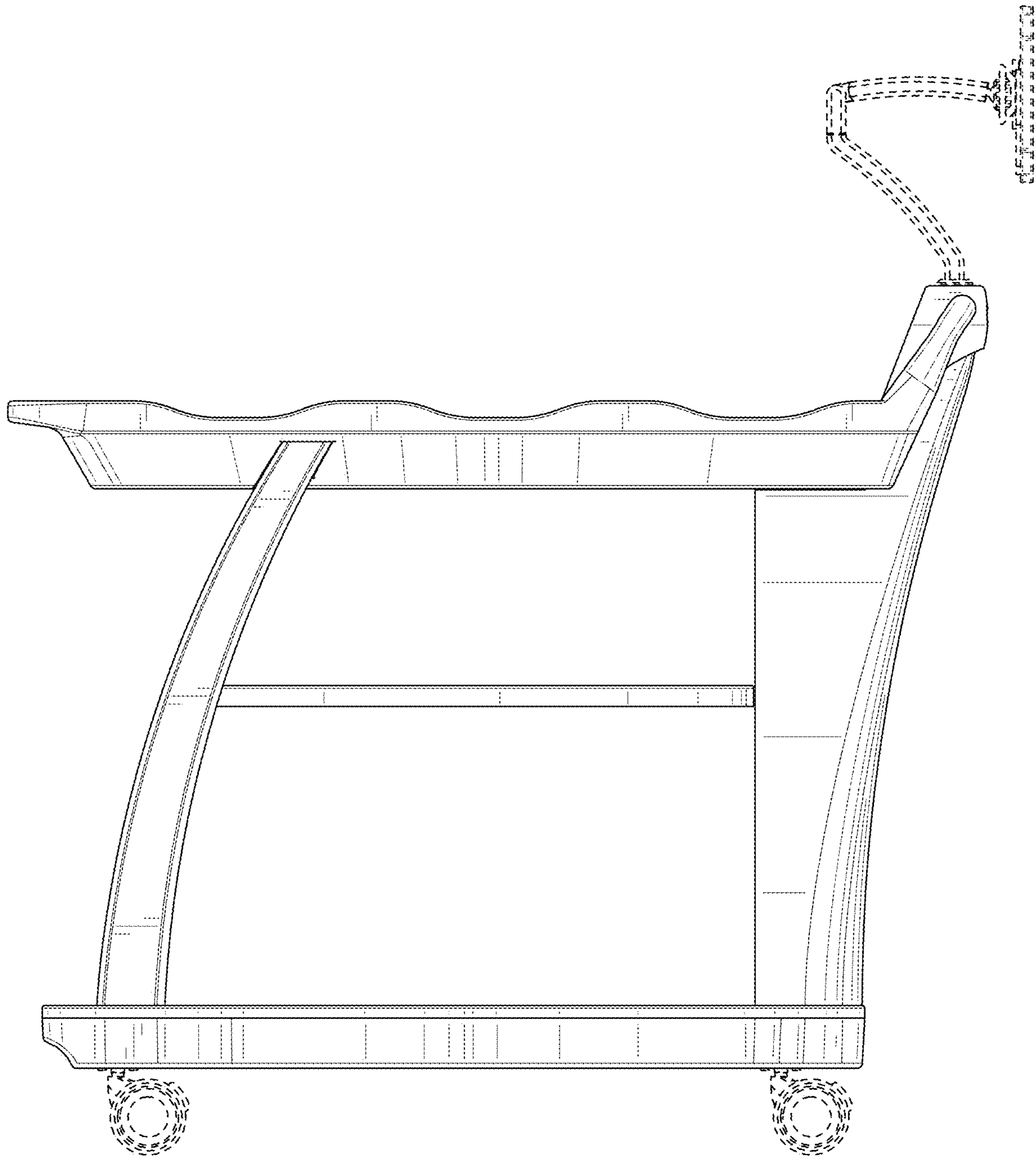


FIG. 2

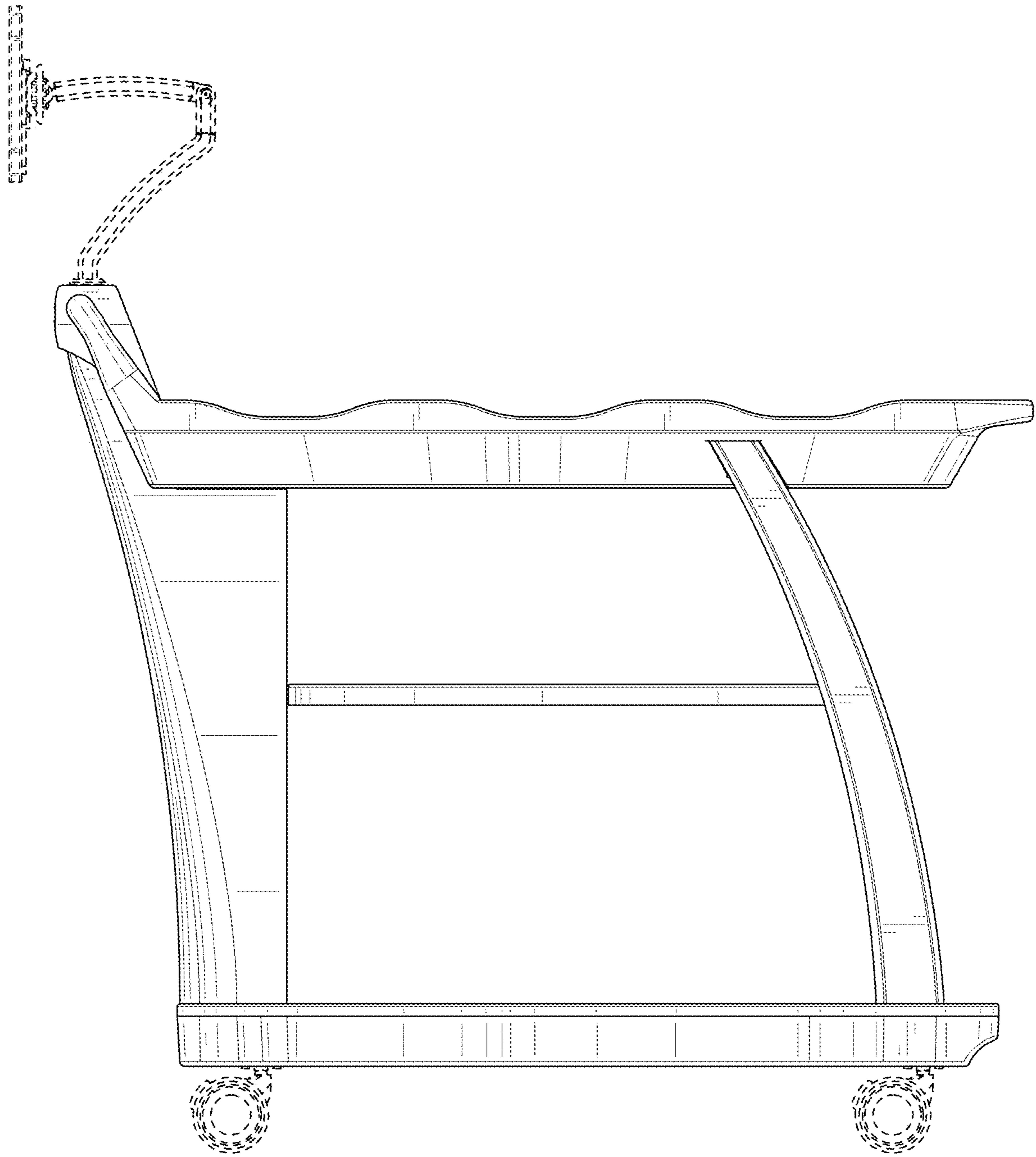


FIG. 3

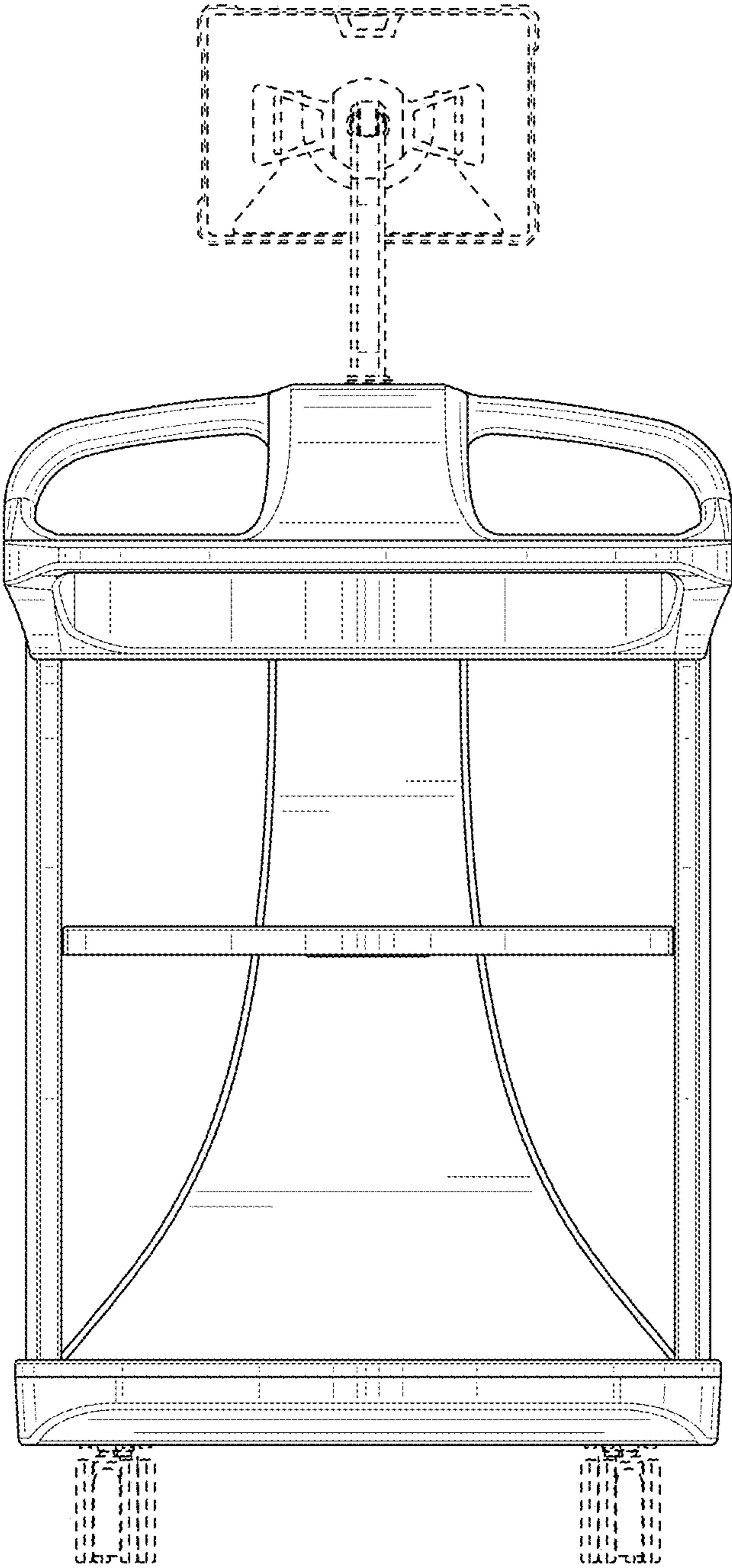


FIG. 4

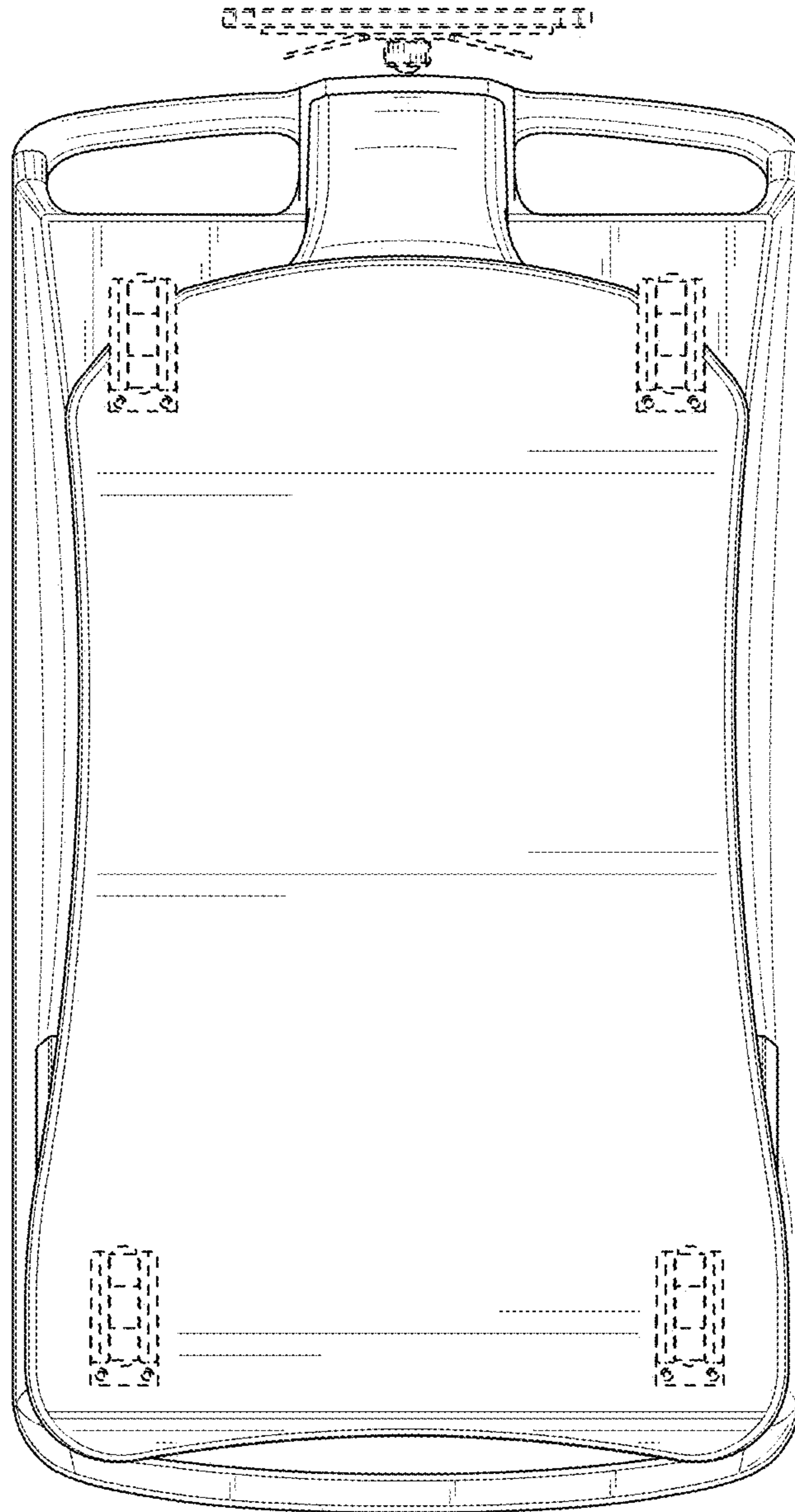


FIG. 5

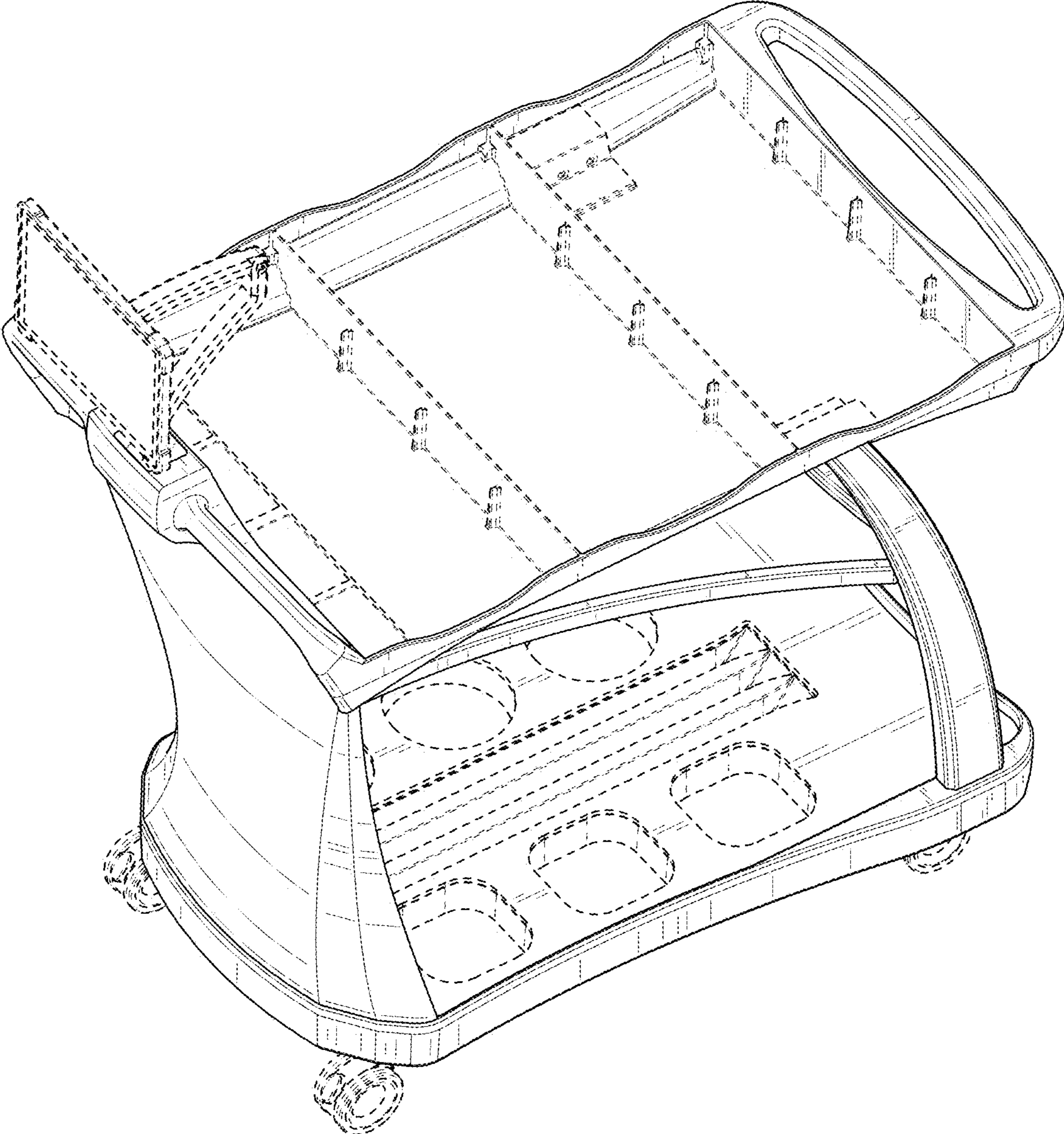


FIG. 6

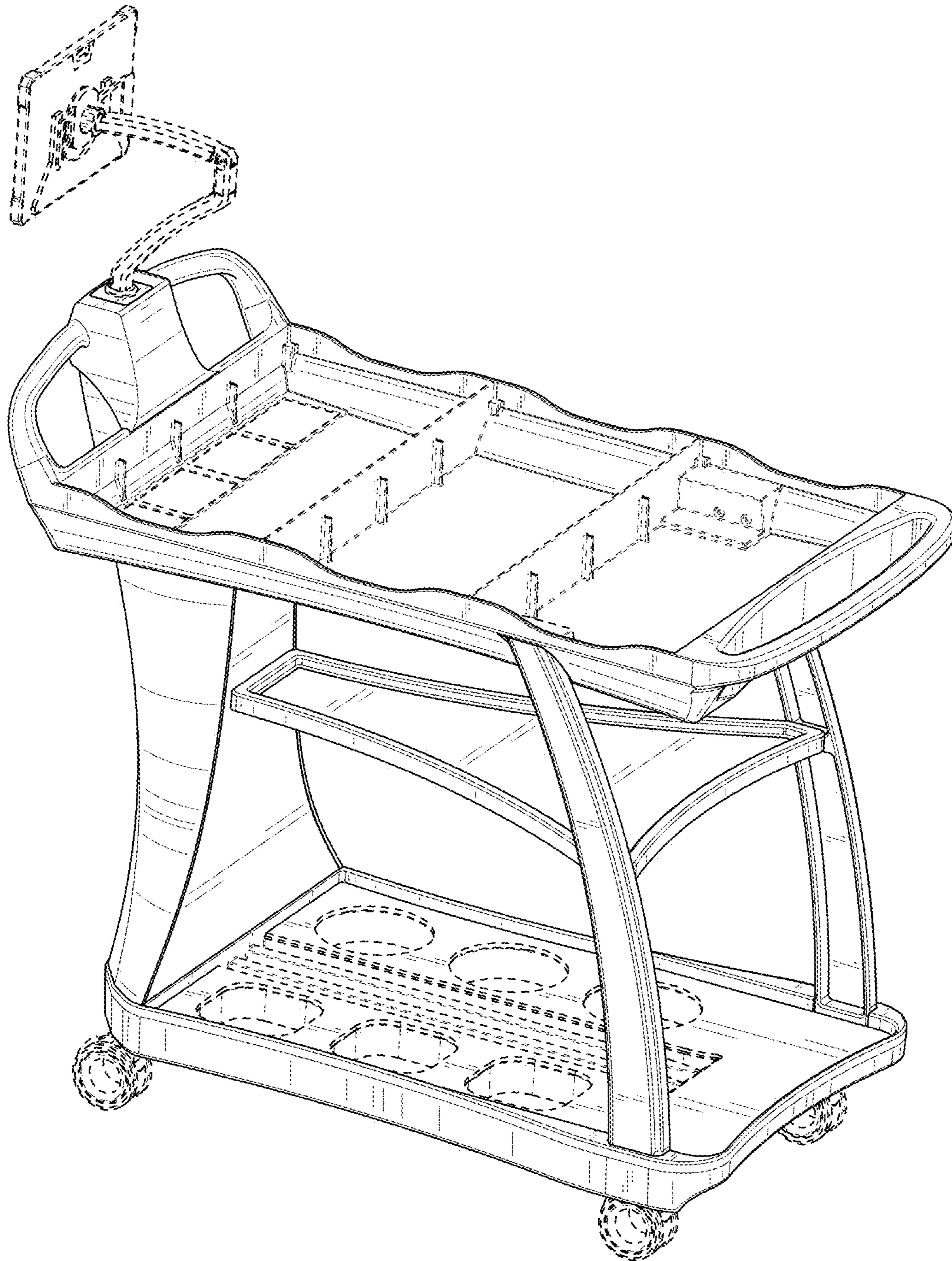


FIG. 7

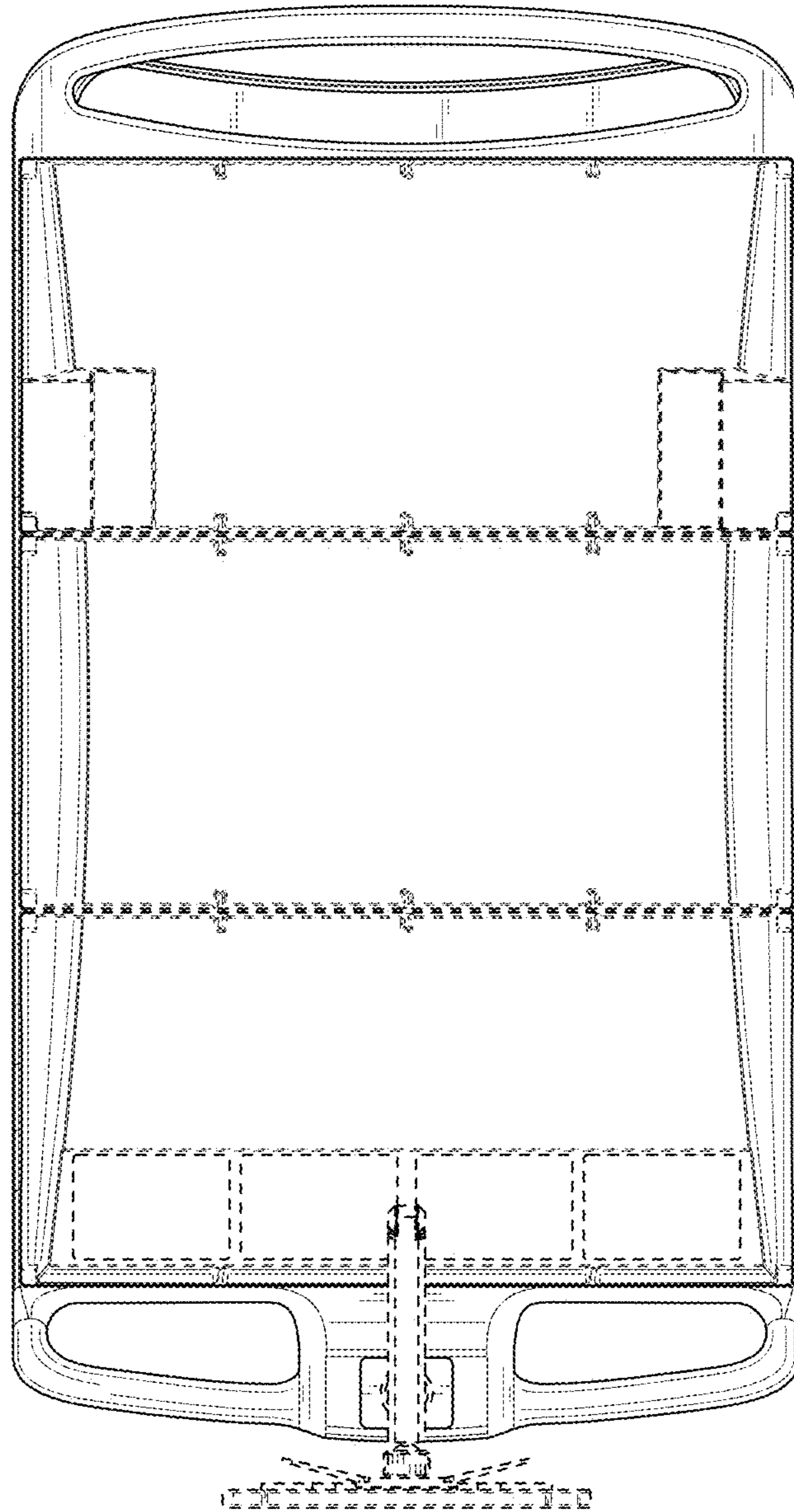


FIG. 8