



US00D904715S

(12) **United States Design Patent**  
**Moore**

(10) **Patent No.:** **US D904,715 S**

(45) **Date of Patent:** **\*\* Dec. 8, 2020**

(54) **STORAGE APPARATUS**

(71) Applicant: **Edmund Moore**, Downingtown, PA  
(US)

(72) Inventor: **Edmund Moore**, Downingtown, PA  
(US)

(\*\*) Term: **15 Years**

(21) Appl. No.: **29/686,529**

(22) Filed: **Apr. 4, 2019**

(51) **LOC (12) Cl.** ..... **12-02**

(52) **U.S. Cl.**  
USPC ..... **D34/19; D6/552**

(58) **Field of Classification Search**  
USPC ... D34/1, 12, 13, 14, 17, 19, 20, 21, 22, 23;  
D21/698, 771; D6/552  
CPC .. B62B 1/00; B62B 1/008; B62B 1/12; B62B  
3/002; B62B 3/006; B62B 3/02; B62B  
3/10; B62B 5/0083; A47B 81/00; A63B  
102/00; A63B 102/02

See application file for complete search history.

(56) **References Cited**

**U.S. PATENT DOCUMENTS**

D217,714 S *	6/1970	Salsgiver .....	D34/21
D260,830 S *	9/1981	Trouba .....	D6/552
4,416,463 A *	11/1983	Marsh, Jr. ....	B62B 3/004 160/329
D272,481 S *	1/1984	Balling .....	D34/15
D346,290 S *	4/1994	Cifra .....	D19/90
5,390,944 A *	2/1995	Sherwin .....	B62B 3/00 211/70.6
D414,069 S *	9/1999	Fok .....	D34/21
6,494,468 B1 *	12/2002	Inge .....	A63B 71/0045 280/47.35

7,997,594 B1	8/2011	Schroeder	
8,319,613 B2	11/2012	Lazar	
9,044,086 B1 *	6/2015	Johnston .....	A47B 63/02
D759,999 S *	6/2016	Rege .....	D6/675.1
9,567,135 B1 *	2/2017	Spadaccini .....	A47C 9/10
D885,804 S *	6/2020	Ni .....	D6/675
2003/0178383 A1 *	9/2003	Craft .....	A47B 81/00 211/85.7
2007/0227989 A1	10/2007	Schneider et al.	
2009/0230644 A1	9/2009	Stanley	
2010/0253190 A1 *	10/2010	Li .....	B65G 1/045 312/249.3

\* cited by examiner

*Primary Examiner* — George A Bugg  
*Assistant Examiner* — Tamara L Hahn

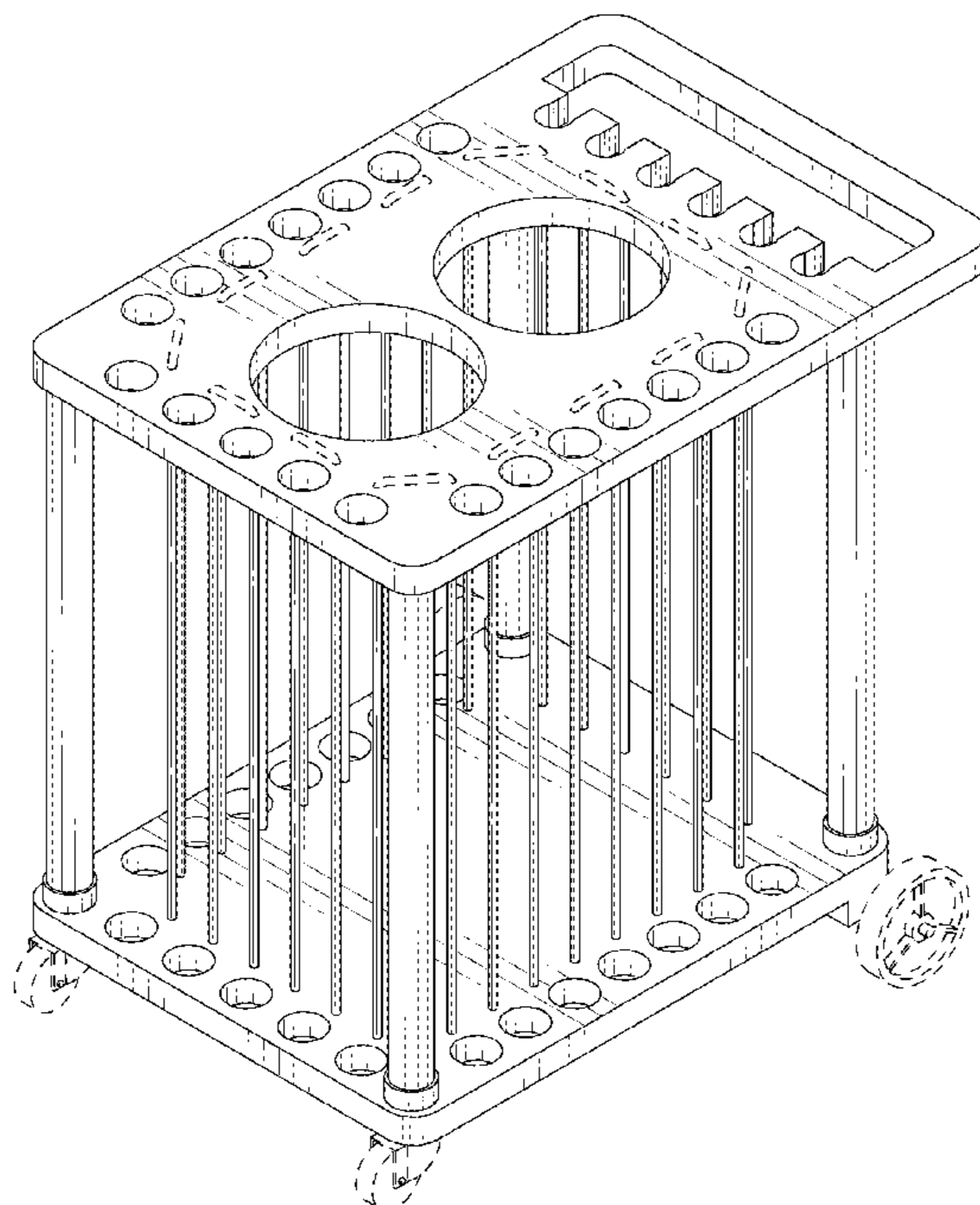
(57) **CLAIM**

The ornamental design for a storage apparatus, as shown and described.

**DESCRIPTION**

FIG. 1 is a top perspective view of a storage apparatus showing my new design;  
 FIG. 2 is a bottom perspective view thereof;  
 FIG. 3 is a front elevational view thereof;  
 FIG. 4 is a rear elevational view thereof;  
 FIG. 5 is a left side elevational view thereof;  
 FIG. 6 is a right side elevational view thereof;  
 FIG. 7 is a top plan view thereof; and,  
 FIG. 8 is a bottom plan view thereof.  
 The broken line showing cable loops, casters, and wheels in FIGS. 1, 2, 3, 4, 5, 6, 7 and 8; and the axle in FIGS. 2, 3, 4, 7, and 8 is included for the purpose of illustrating environmental structure and forms no part of the claimed design.

**1 Claim, 8 Drawing Sheets**



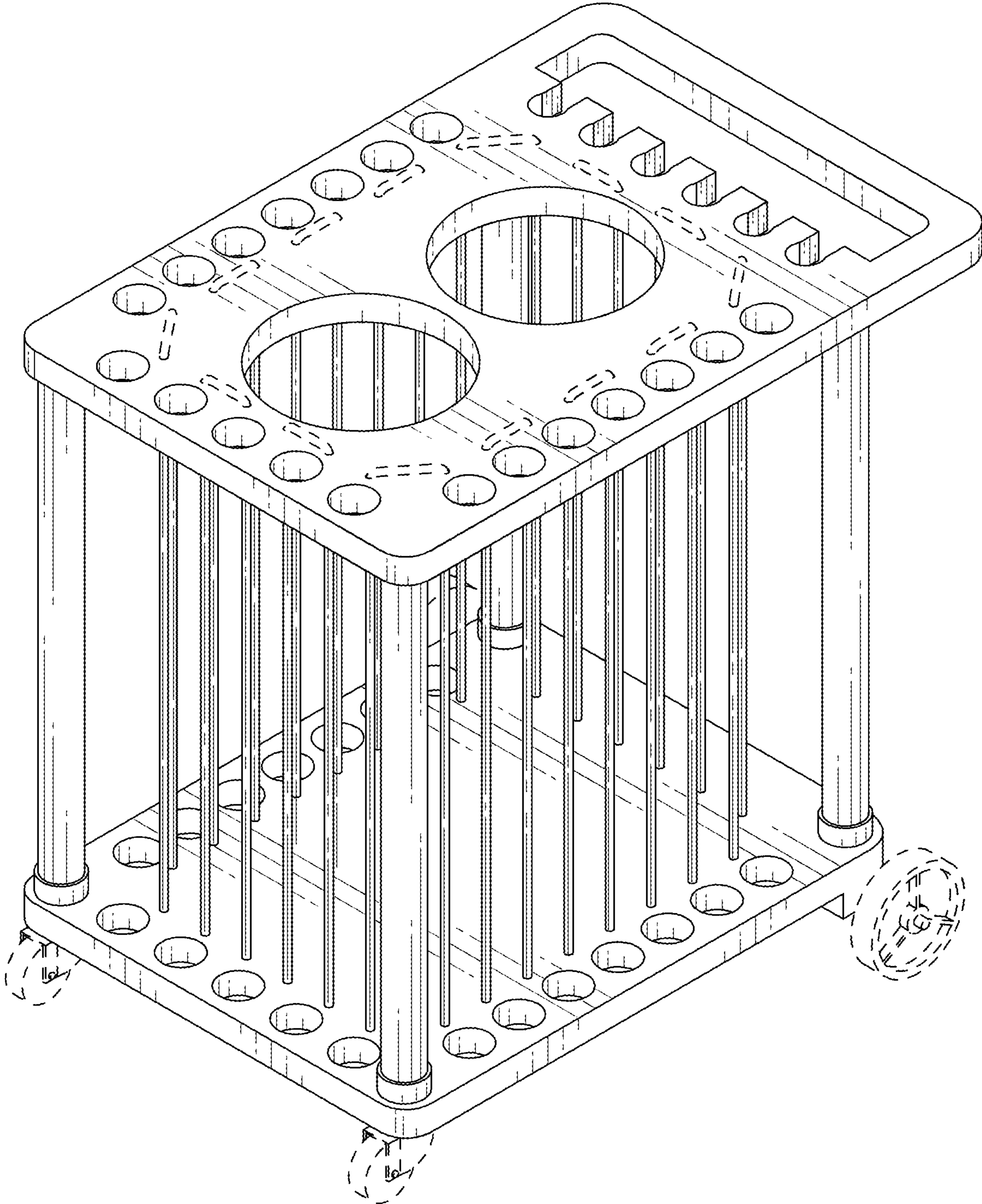


FIG. 1

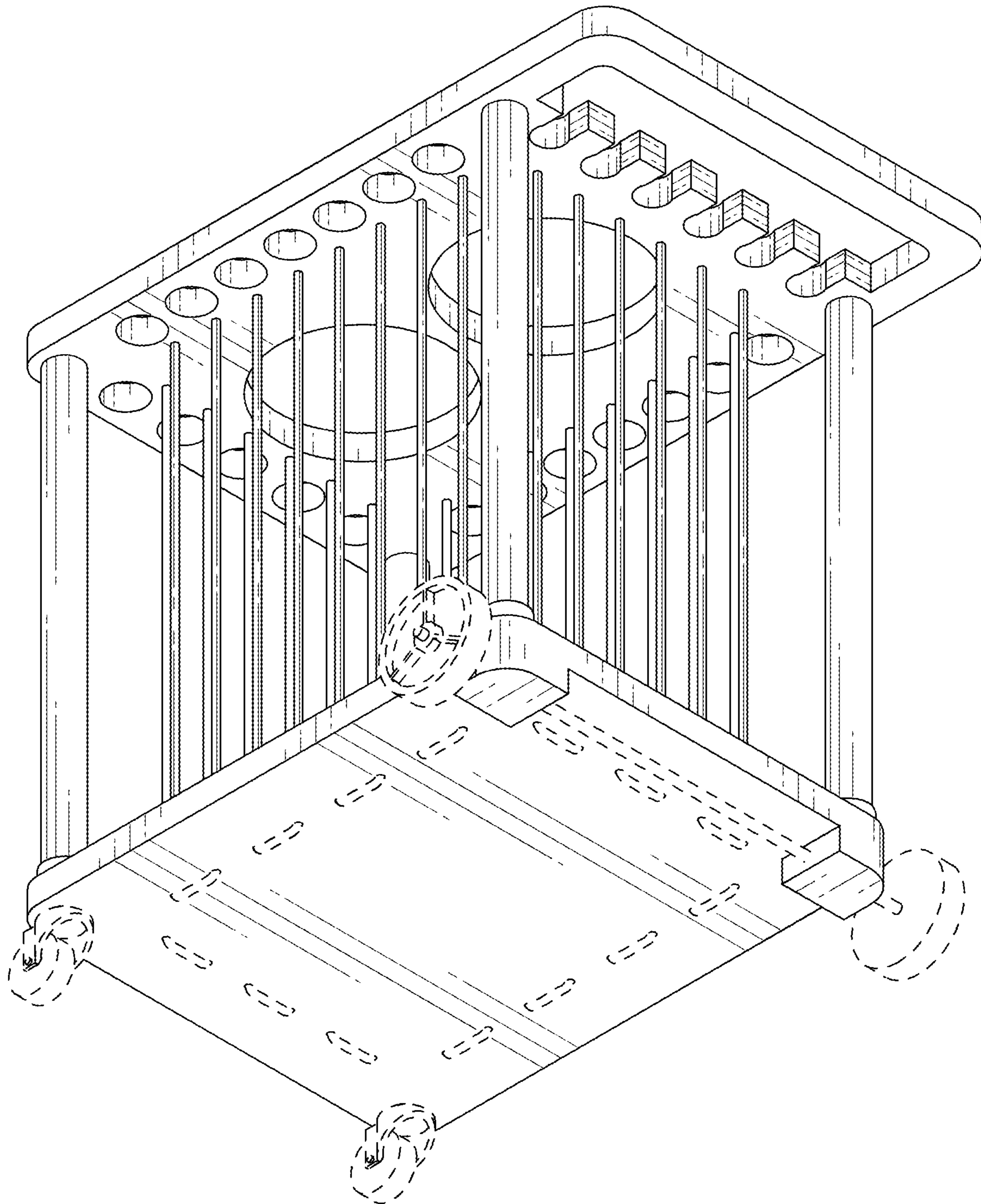


FIG. 2

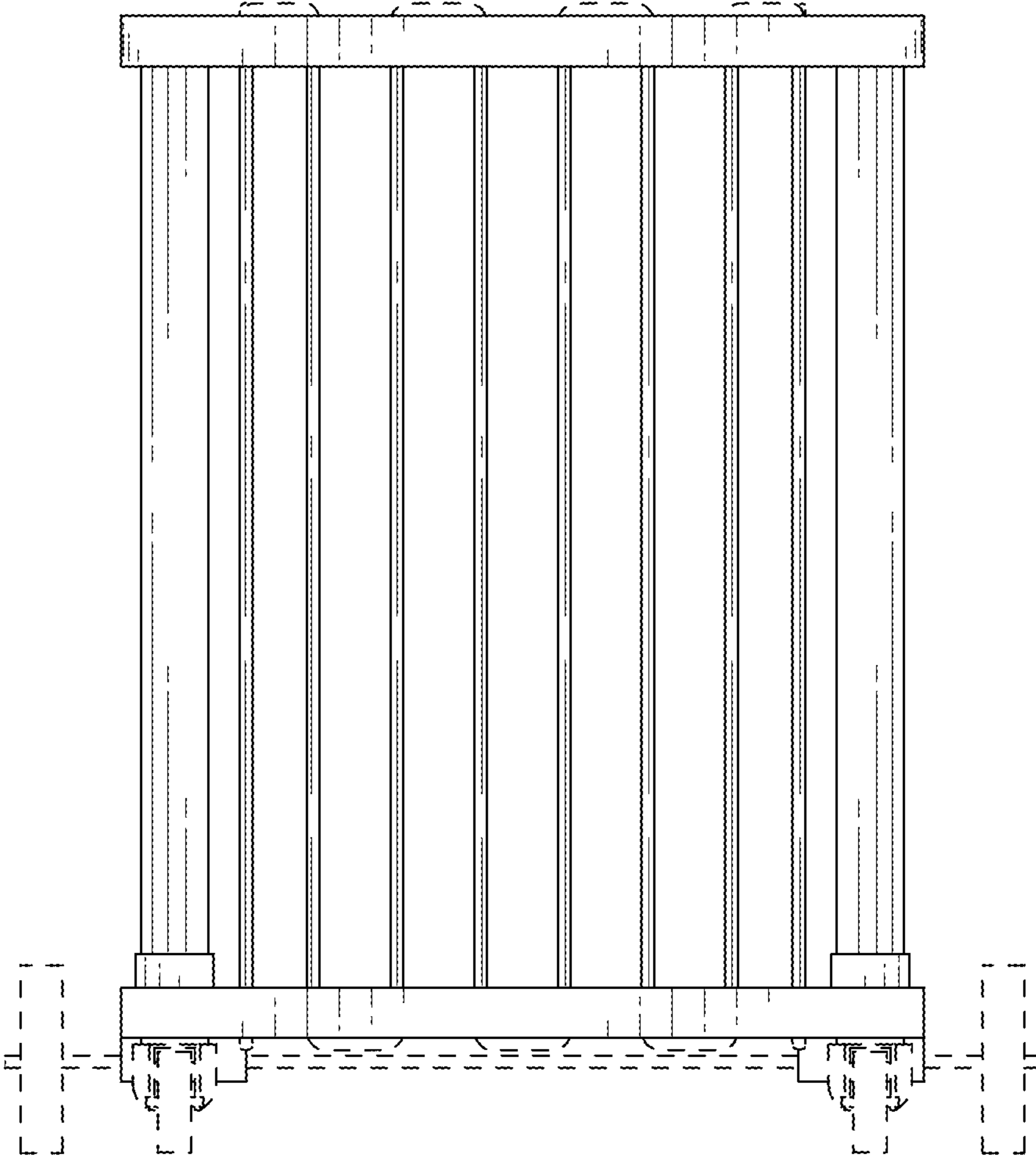


FIG. 3

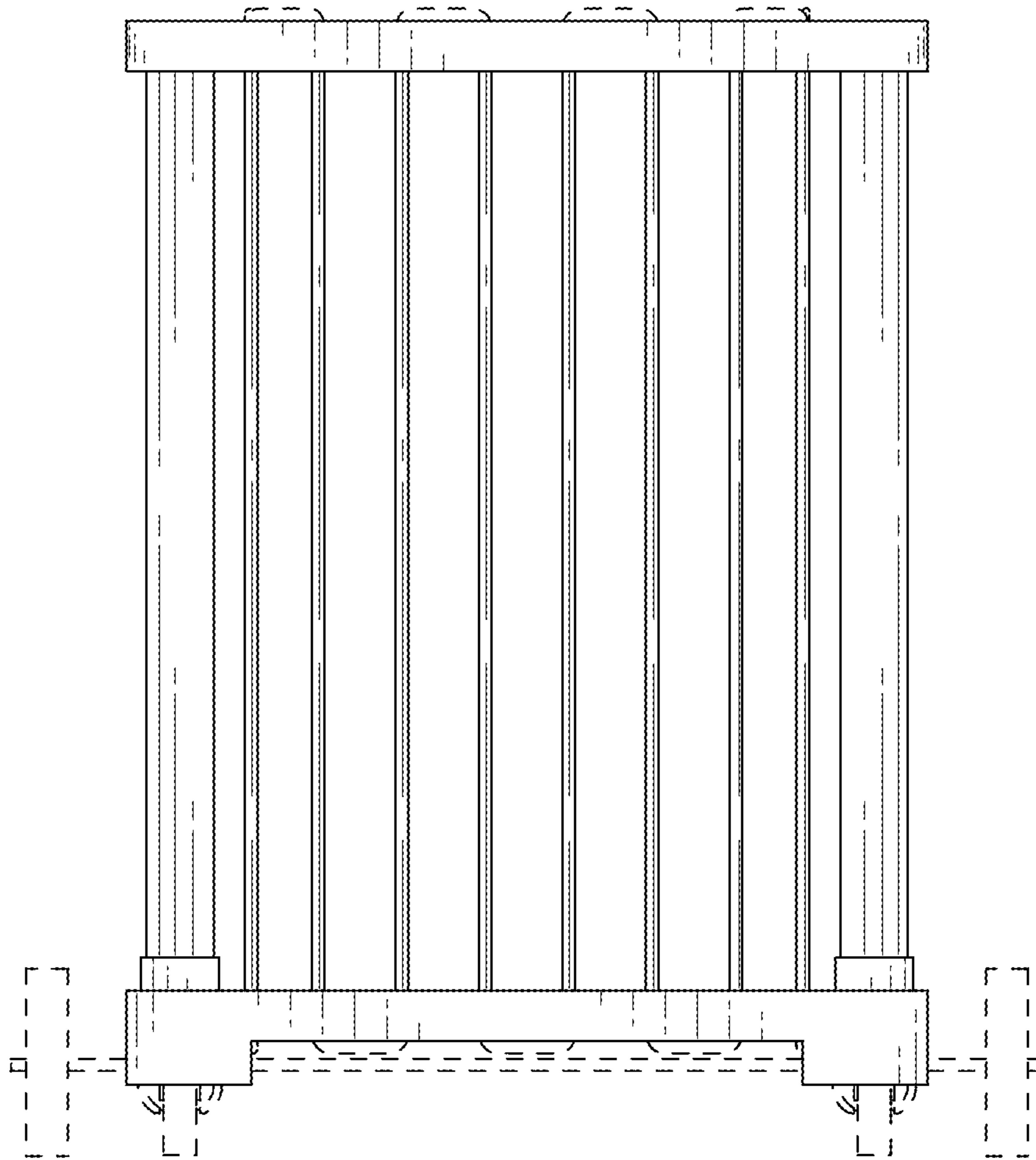


FIG. 4

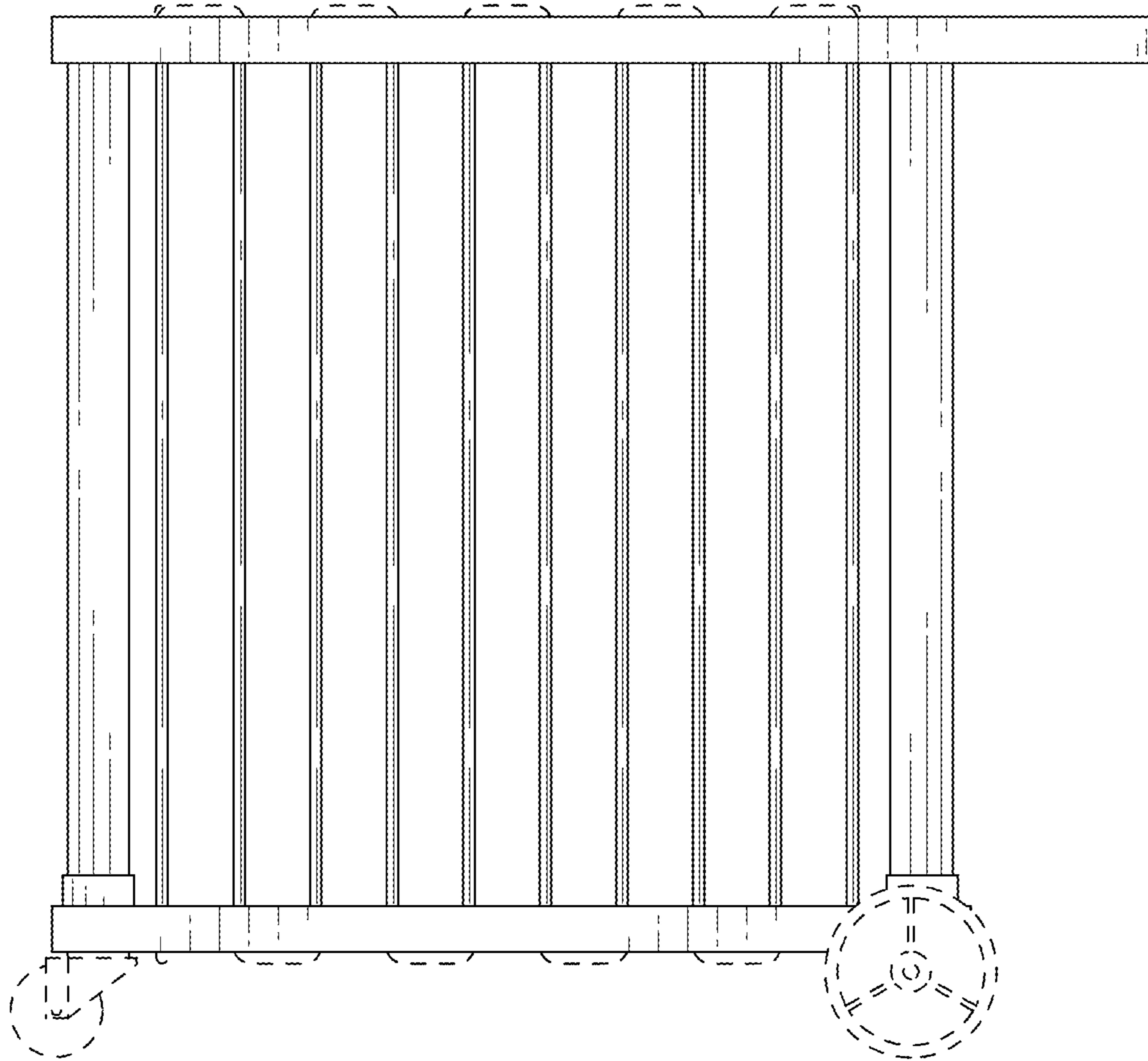


FIG. 5

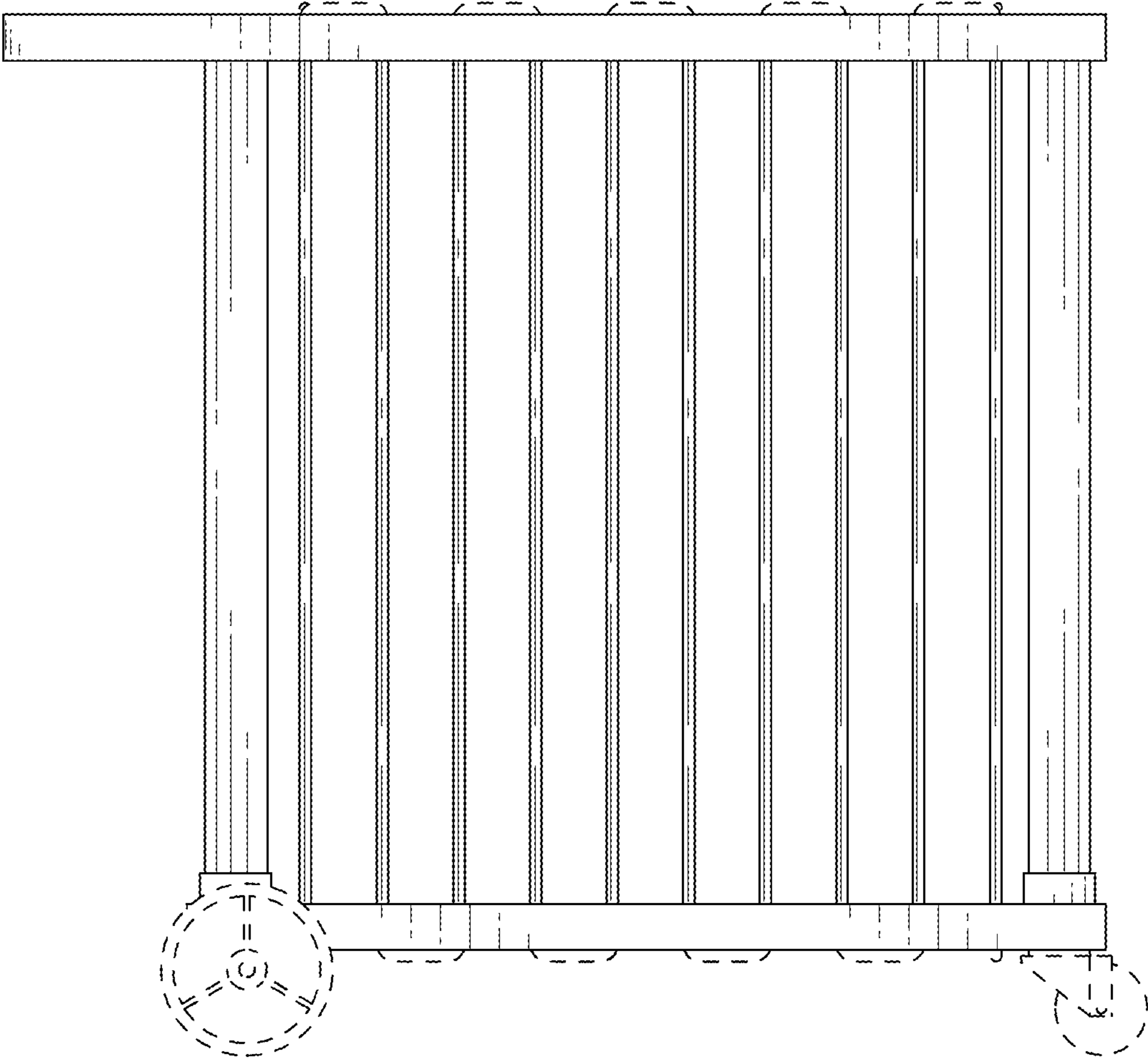


FIG. 6

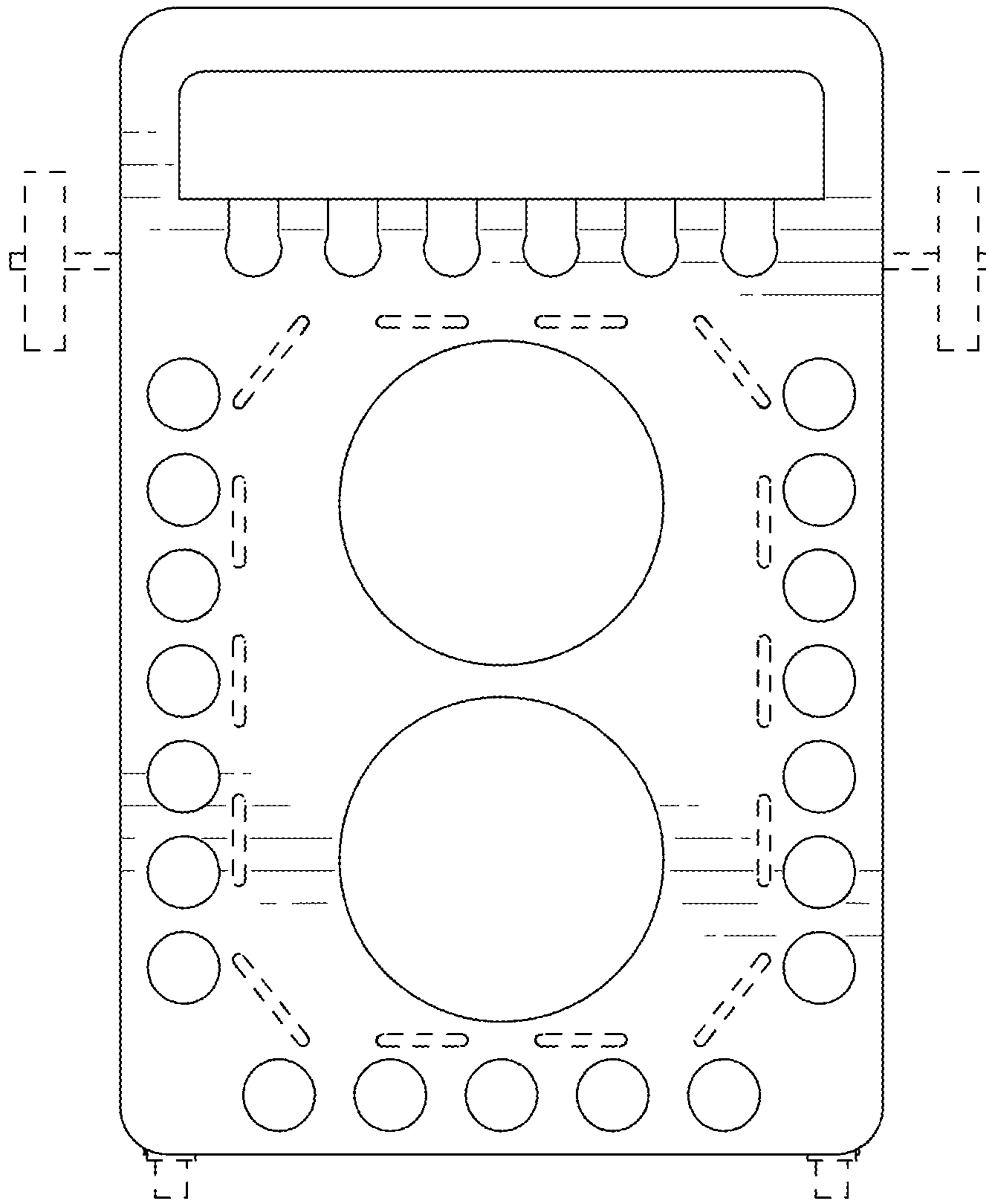


FIG. 7



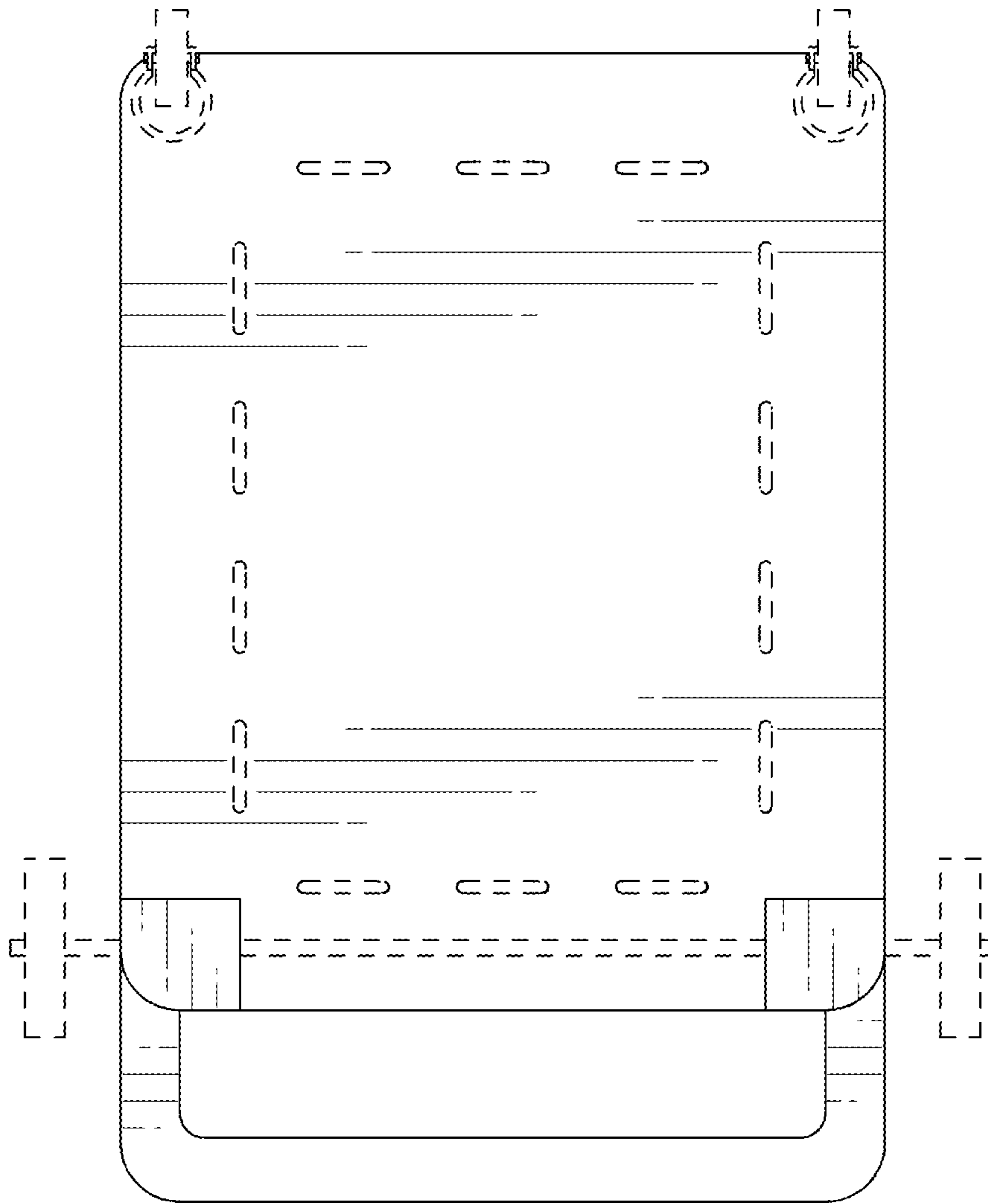


FIG. 8