

US00D904714S

(12) **United States Design Patent** (10) **Patent No.:** **US D904,714 S**  
**Franks** (45) **Date of Patent:** **\*\* Dec. 8, 2020**

(54) **CART**  
(71) Applicant: **Donald W. Franks**, Columbus, OH (US)  
(72) Inventor: **Donald W. Franks**, Columbus, OH (US)  
(\*\*) Term: **15 Years**  
(21) Appl. No.: **29/703,541**  
(22) Filed: **Aug. 28, 2019**  
(51) **LOC (12) Cl.** ..... **12-02**  
(52) **U.S. Cl.**  
USPC ..... **D34/12**  
(58) **Field of Classification Search**  
USPC ... D34/1, 12, 13, 14, 17, 19, 20, 21, 22, 23;  
D6/675, 675.2, 675.5, 329  
CPC .. B62B 1/00; B62B 1/008; B62B 1/12; B62B  
3/002; B62B 3/006; B62B 3/02; B62B  
3/10; B62B 5/0083  
See application file for complete search history.

(56) **References Cited**  
**U.S. PATENT DOCUMENTS**  
3,785,669 A 1/1974 Doheny  
D251,550 S \* 4/1979 Bladis ..... D34/17  
5,536,034 A 7/1996 Miller  
6,877,764 B2 4/2005 Sagol  
D604,023 S \* 11/2009 Ogle ..... D34/20  
8,820,773 B2 9/2014 Ferree, Jr.  
D752,309 S \* 3/2016 Hernandez ..... D34/27  
2003/0164602 A1\* 9/2003 Kuhlman ..... B62B 3/108  
280/79.7

(Continued)

**OTHER PUBLICATIONS**

Best Dollies, Snap-Loc 1500 LB Push Cart Dolly Red with Steel Frame, 4 inch Casters, Push Bar and Optional E-Strap Attachment, Accessed on May 31, 2019 and Aug. 25, 2020, pp. 1-9, USA

<https://bestdollies.com/product/snap-loc-push-cart-dolly-red-with-1500-lb-capacity-steel-frame-strap-option-4-inch-casters/>.

(Continued)

*Primary Examiner* — George A Bugg  
*Assistant Examiner* — Tamara L Hahn  
(74) *Attorney, Agent, or Firm* — Standley Law Group LLP; Jeffrey Norris

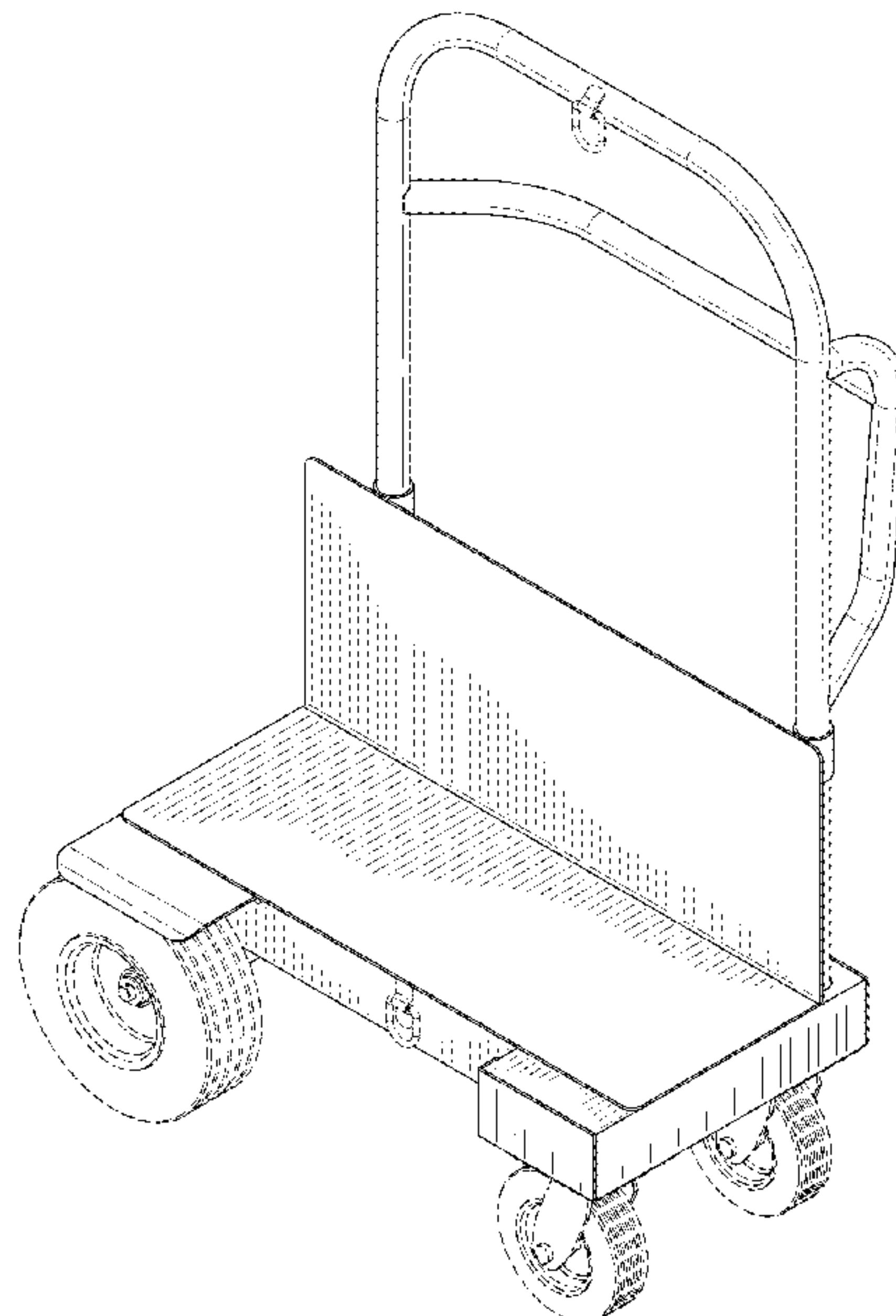
(57) **CLAIM**

The ornamental design for a cart, as shown and described.

**DESCRIPTION**

FIG. 1 is a top perspective view of a first embodiment of a cart showing my new design.  
FIG. 2 is a bottom perspective view of the cart of FIG. 1.  
FIG. 3 is a first side elevation view of the cart of FIG. 1.  
FIG. 4 is a second side elevation view of the cart of FIG. 1.  
FIG. 5 is a first end elevation view of the cart of FIG. 1.  
FIG. 6 is a second end elevation view of the cart of FIG. 1.  
FIG. 7 is a top plan view of the cart of FIG. 1.  
FIG. 8 is a bottom plan view of the cart of FIG. 1.  
FIG. 9 is a top perspective view of a second embodiment of a cart showing my new design.  
FIG. 10 is a bottom perspective view of the cart of FIG. 9.  
FIG. 11 is a first side elevation view of the cart of FIG. 9.  
FIG. 12 is a second side elevation view of the cart of FIG. 9.  
FIG. 13 is a first end elevation view of the cart of FIG. 9.  
FIG. 14 is a second end elevation view of the cart of FIG. 9.  
FIG. 15 is a top plan view of the cart of FIG. 9; and, FIG. 16 is a bottom plan view of the cart of FIG. 9.  
The broken lines illustrate portions of a cart that form no part of the claimed design.

**1 Claim, 12 Drawing Sheets**



(56)

**References Cited**

## U.S. PATENT DOCUMENTS

2004/0150177 A1\* 8/2004 Thiede ..... B62B 3/108  
280/79.3  
2005/0040618 A1\* 2/2005 Beatty ..... B62B 3/108  
280/79.3  
2007/0216119 A1\* 9/2007 Cosgrove ..... B62B 3/108  
280/79.7  
2008/0012260 A1\* 1/2008 Ouyang ..... B62B 3/1476  
280/79.11  
2012/0066906 A1\* 3/2012 Daeschner ..... F03D 13/20  
29/893.1  
2014/0084036 A1\* 3/2014 Hemann ..... B62B 5/00  
224/411  
2014/0375005 A1\* 12/2014 Lin ..... B62B 3/008  
280/86.5  
2016/0347340 A1\* 12/2016 Kahler ..... B62B 3/02  
2018/0050717 A1\* 2/2018 Yeo ..... B62B 5/0476  
2020/0086904 A1\* 3/2020 Reynoso ..... B62B 3/02  
2020/0202758 A1\* 6/2020 Ho ..... B65G 1/0492

## OTHER PUBLICATIONS

Leal Rental, Appliance Dolly C/W Straps, Accessed on May 31, 2019 and Aug. 25, 2020, pp. 1-2, Toronto, CA, <http://www.lealrental.com/product/appliance-dolly-strap/>.

Rental Works, Appliance Dolly (with straps), Accessed on May 31, 2019 and Aug. 25, 2020, pp. 1-4, USA, <http://www.rentalworksgreensboro.com/MaterialHandling/products/Appliance-Dolly-with-straps.php>.

Specialized Products Company, Norris 700 Telescoping Two-Wheel Hand Cart, 400 lb Capacity, Accessed on May 31, 2019 and Aug. 25, 2020, pp. 1-3, USA, <https://www.specialized.net/norris-700-telescoping-two-wheel-hand-cart-400-lb-capacity.html>.

\* cited by examiner

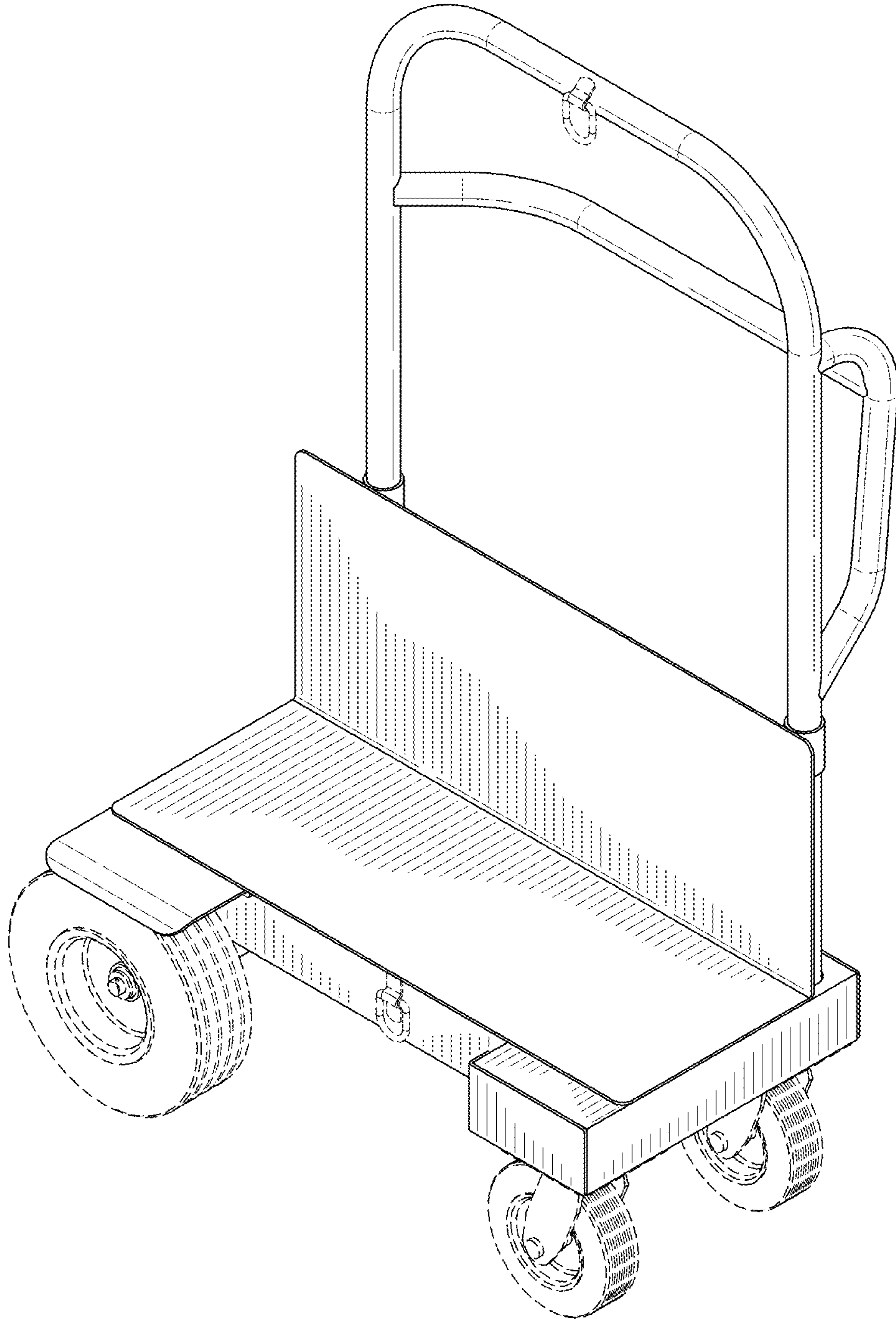


FIG. 1



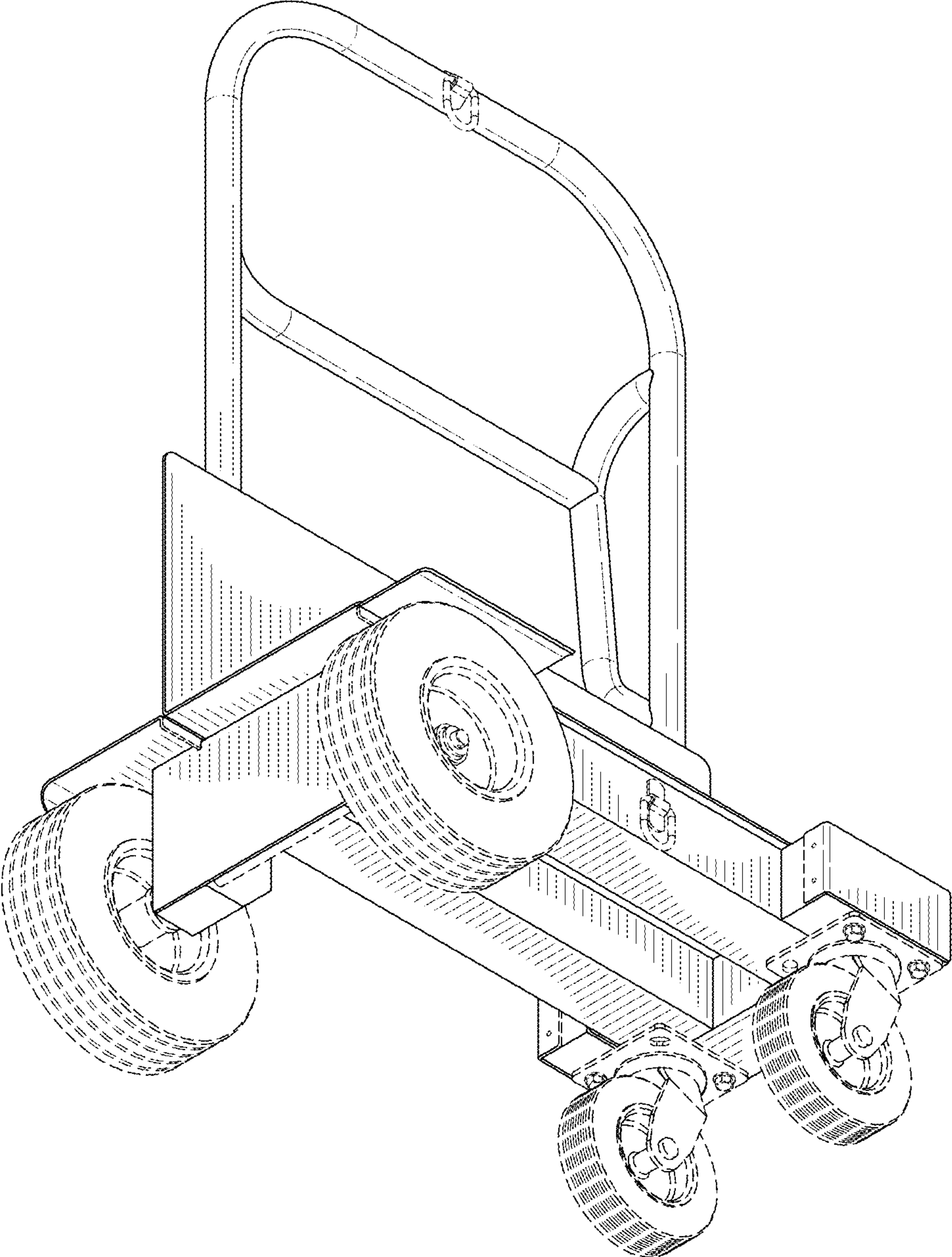


FIG. 2

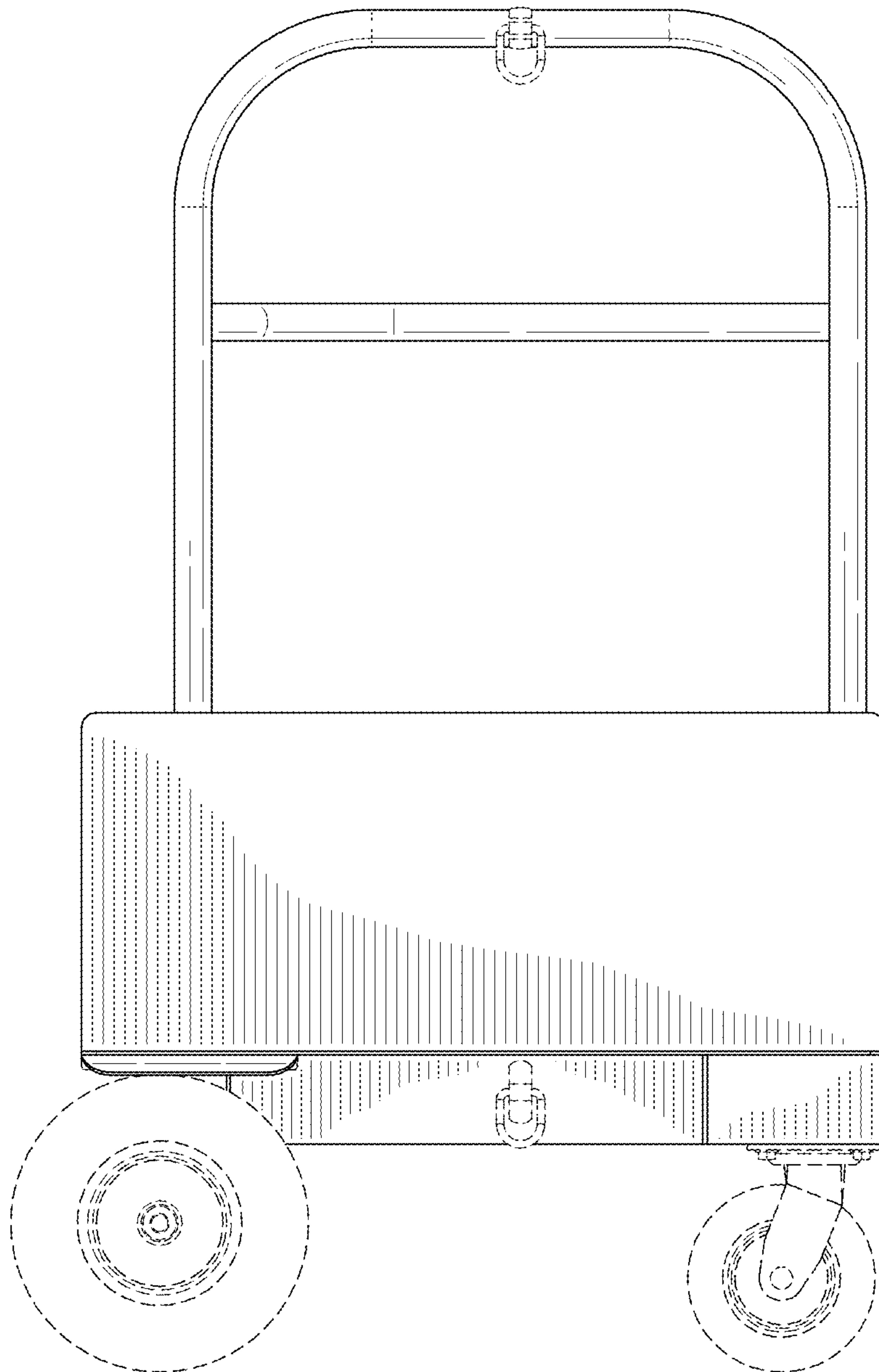


FIG. 3

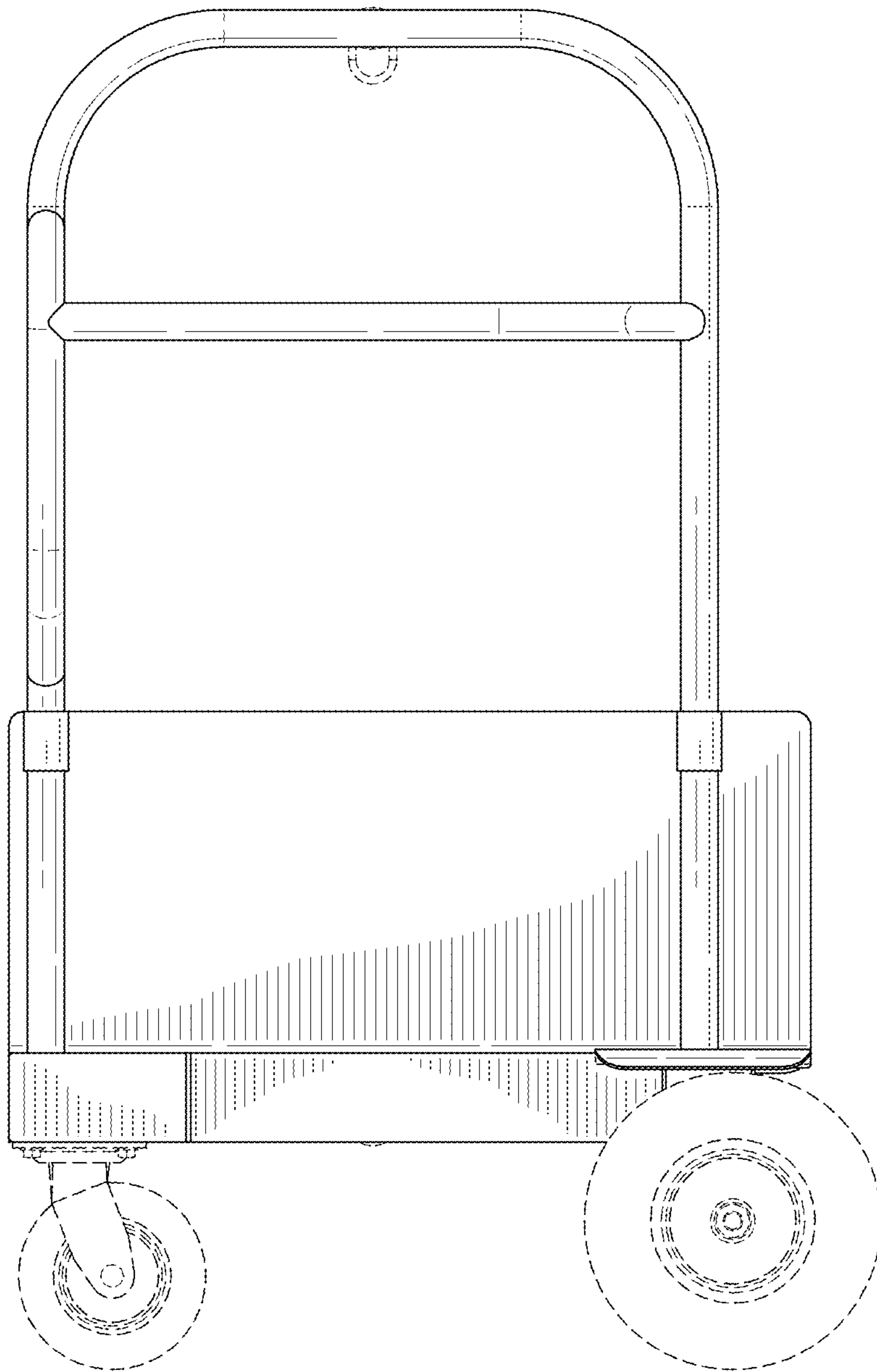


FIG. 4

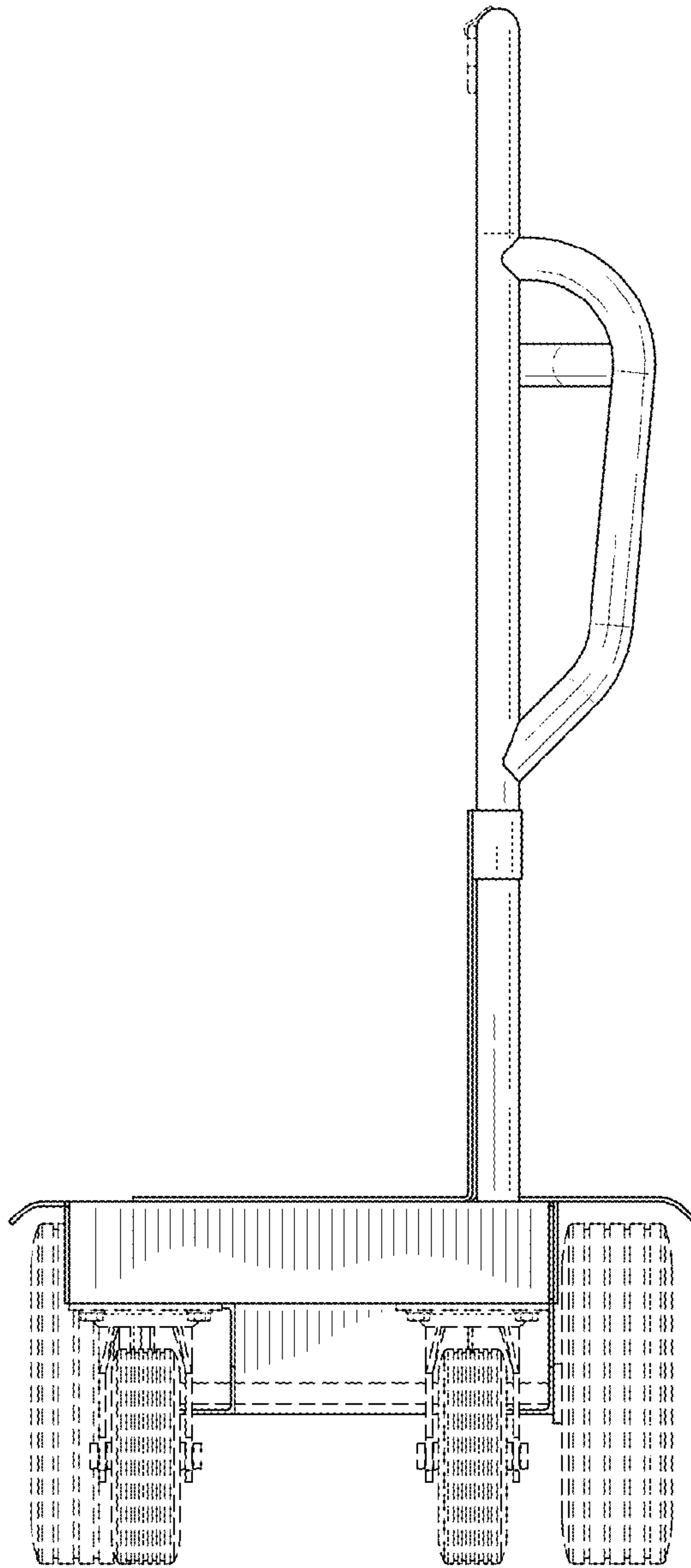


FIG. 5

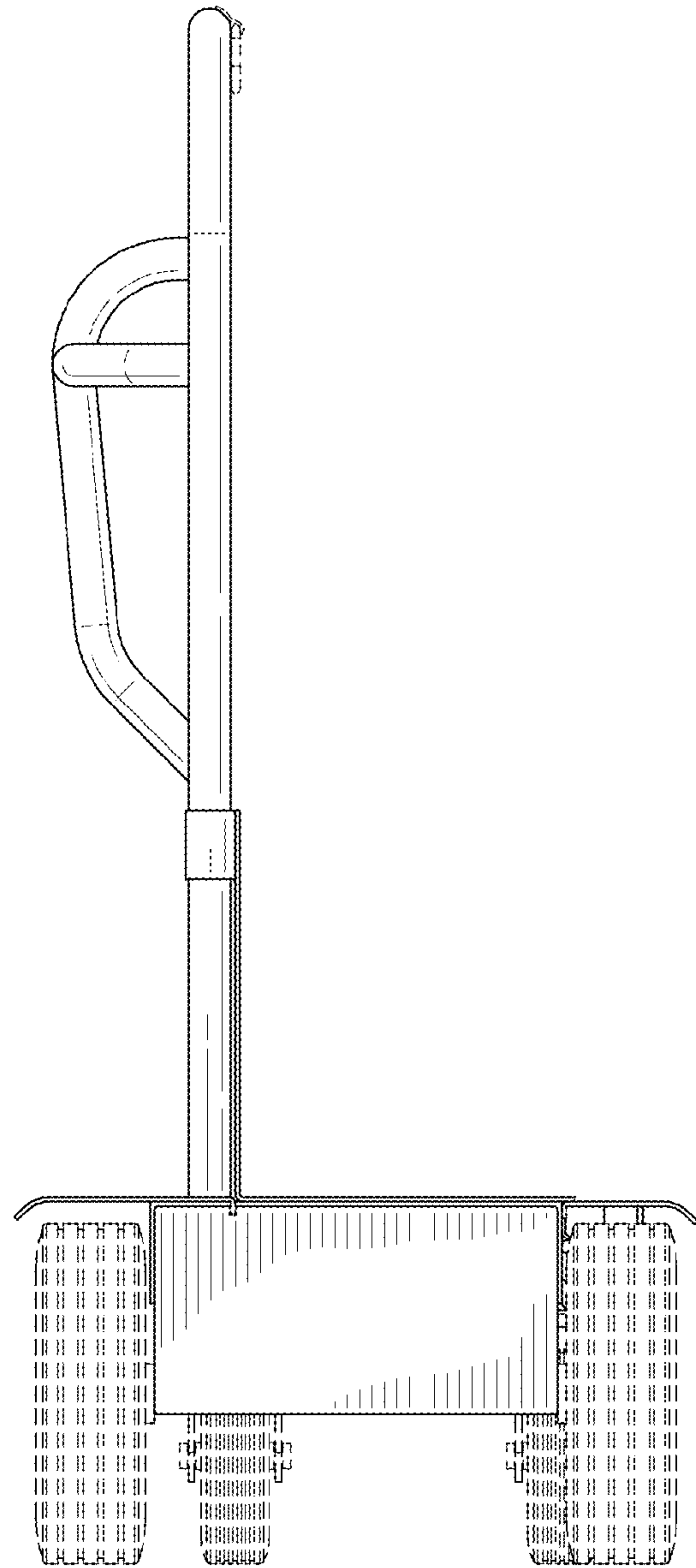


FIG. 6

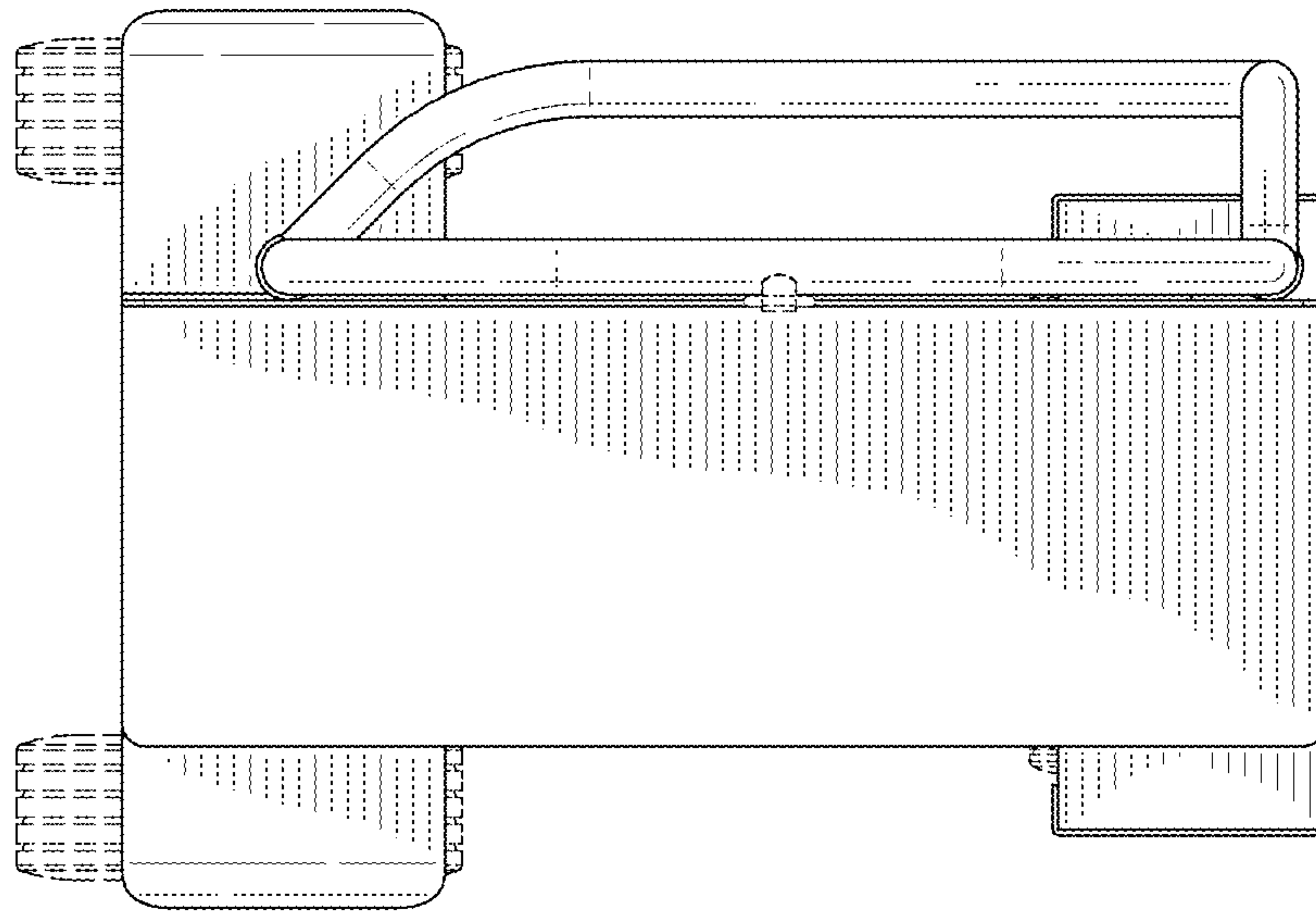


FIG. 7

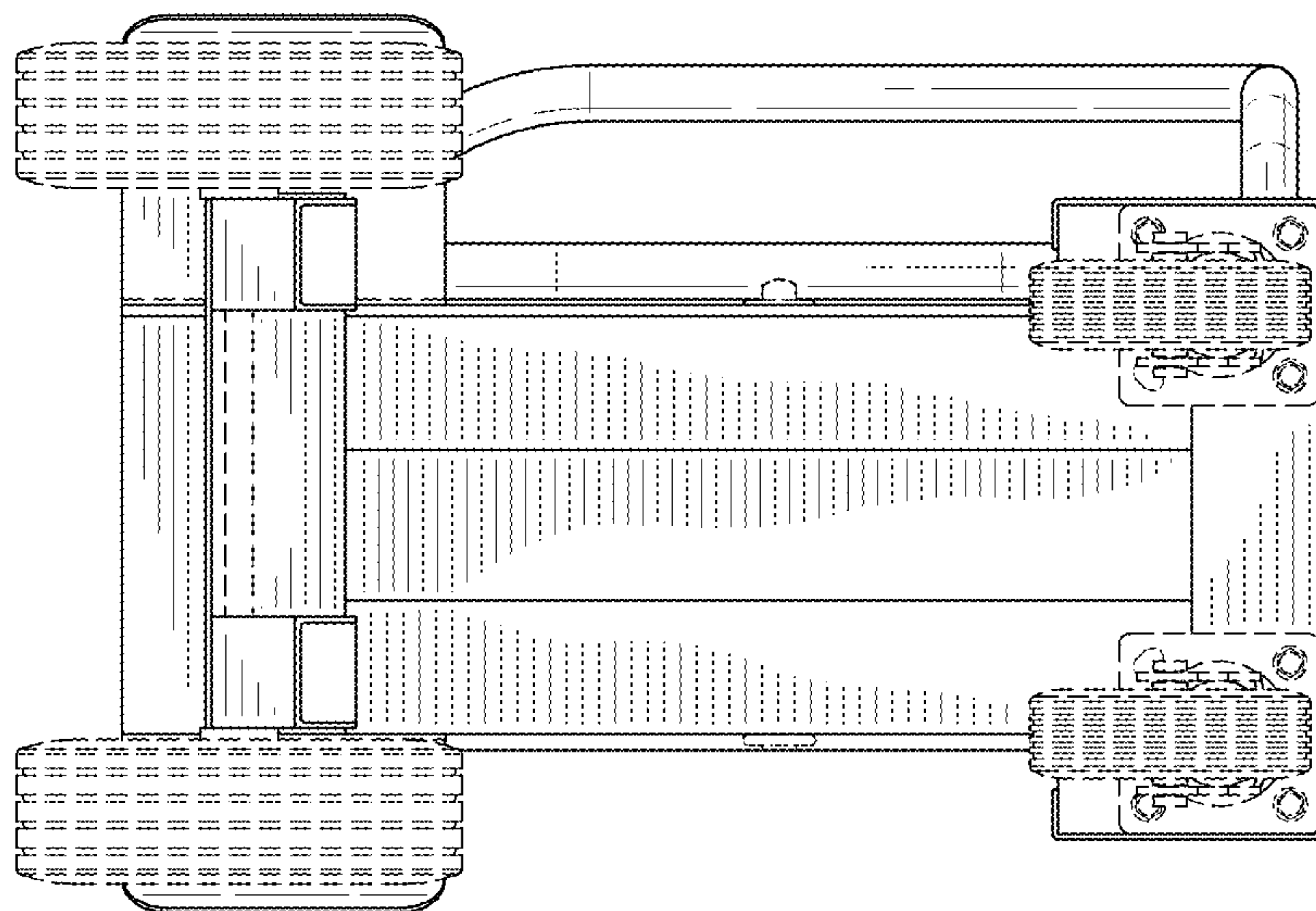


FIG. 8



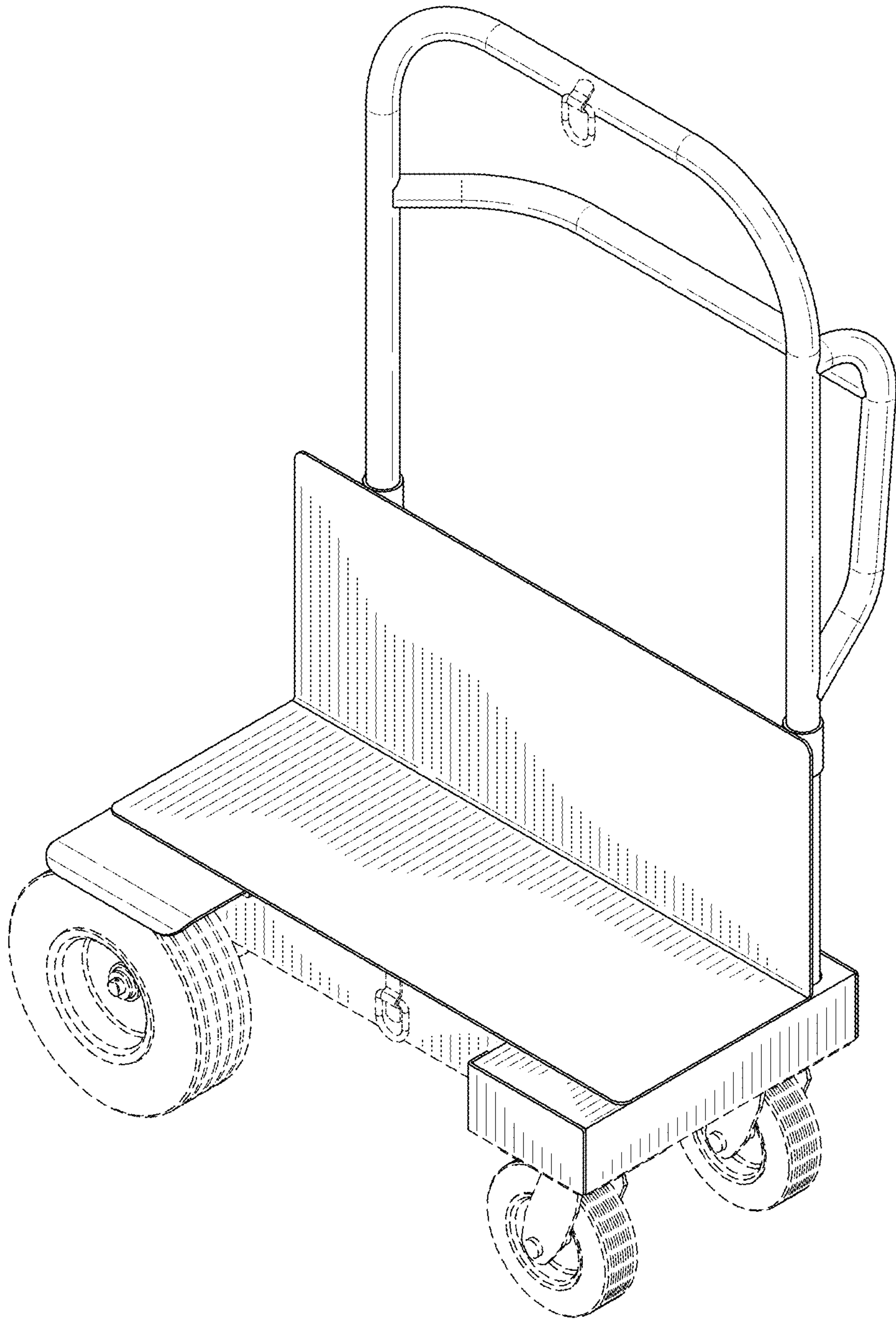


FIG. 9

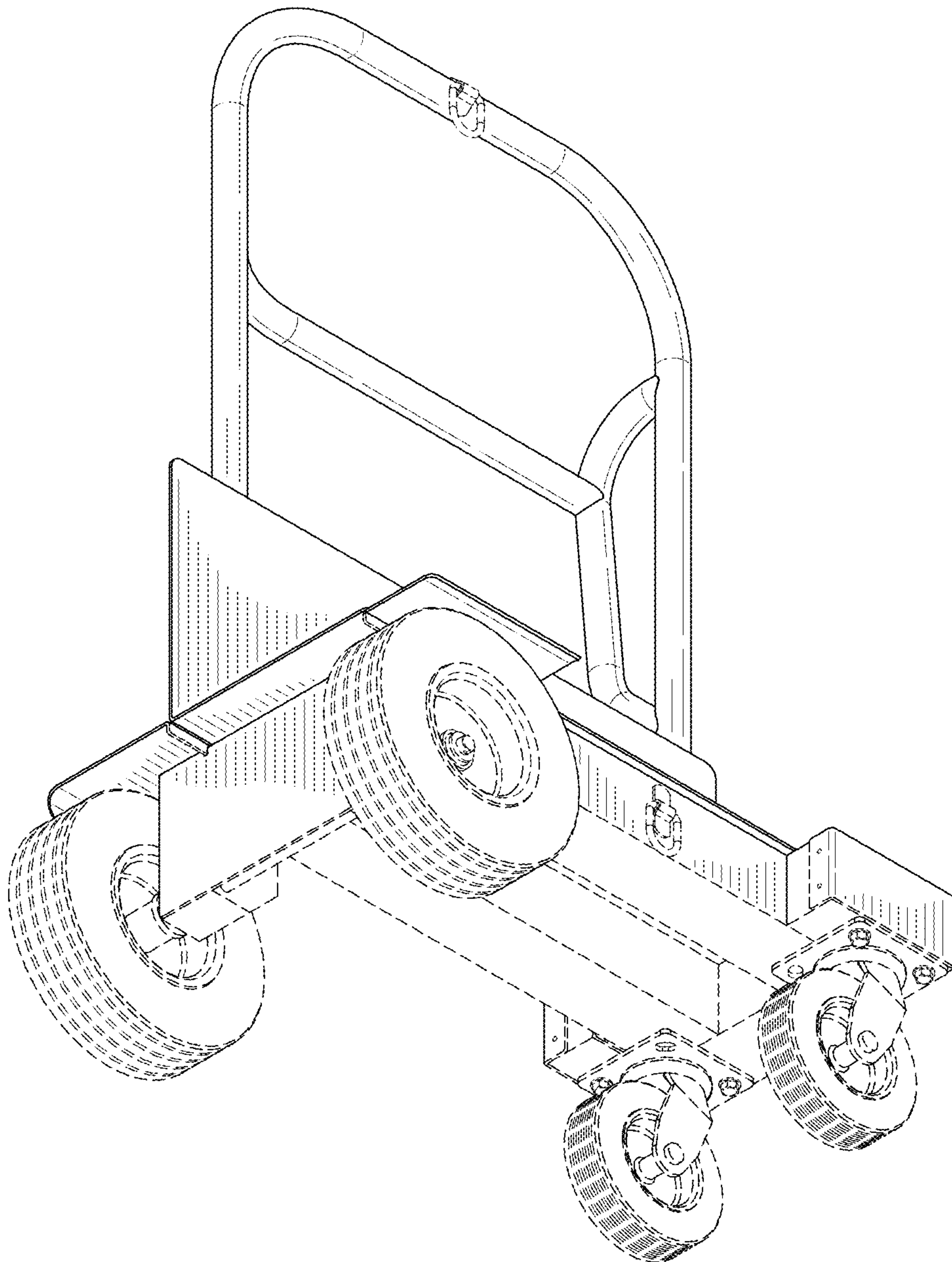


FIG. 10

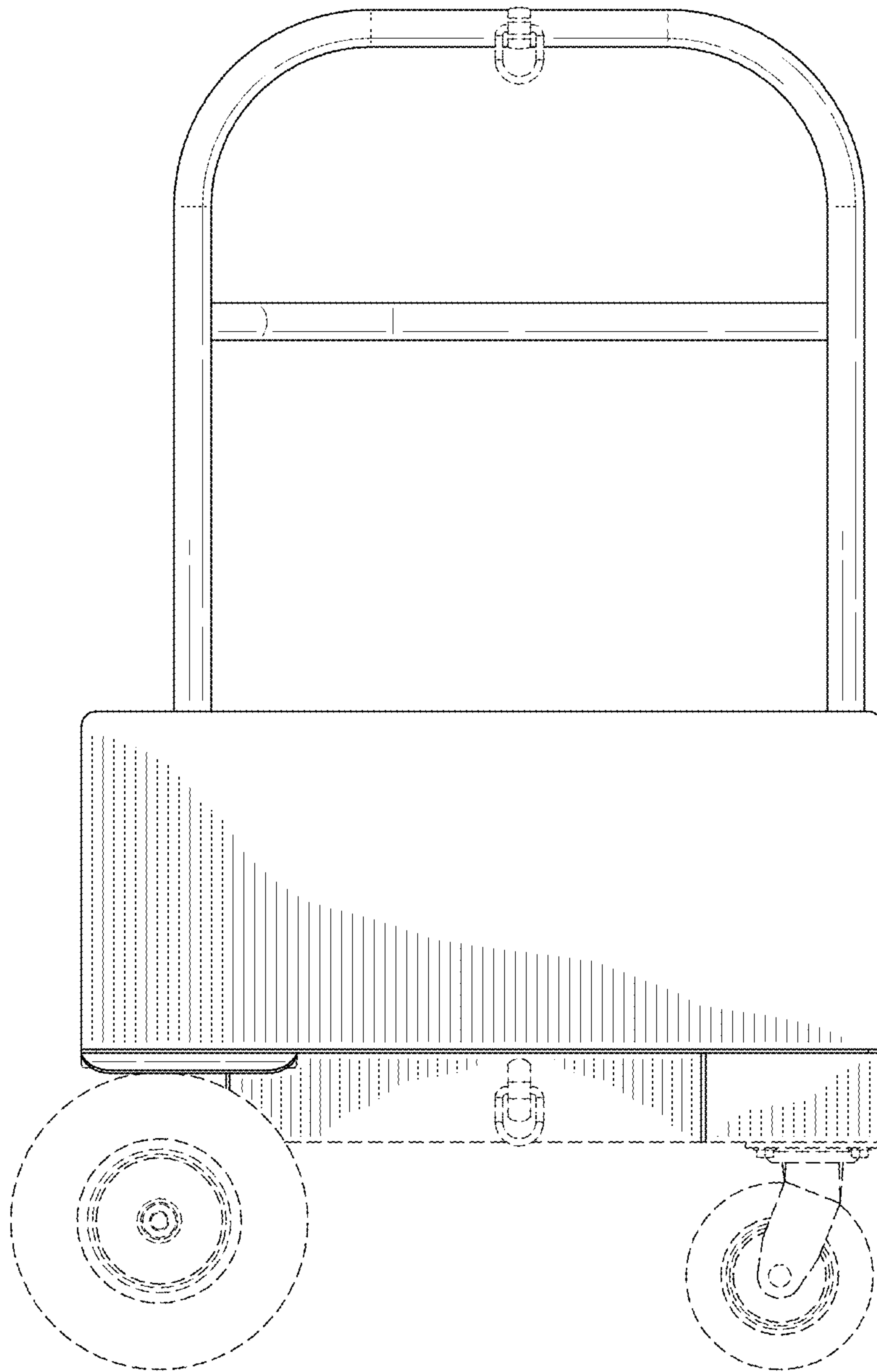


FIG. 11

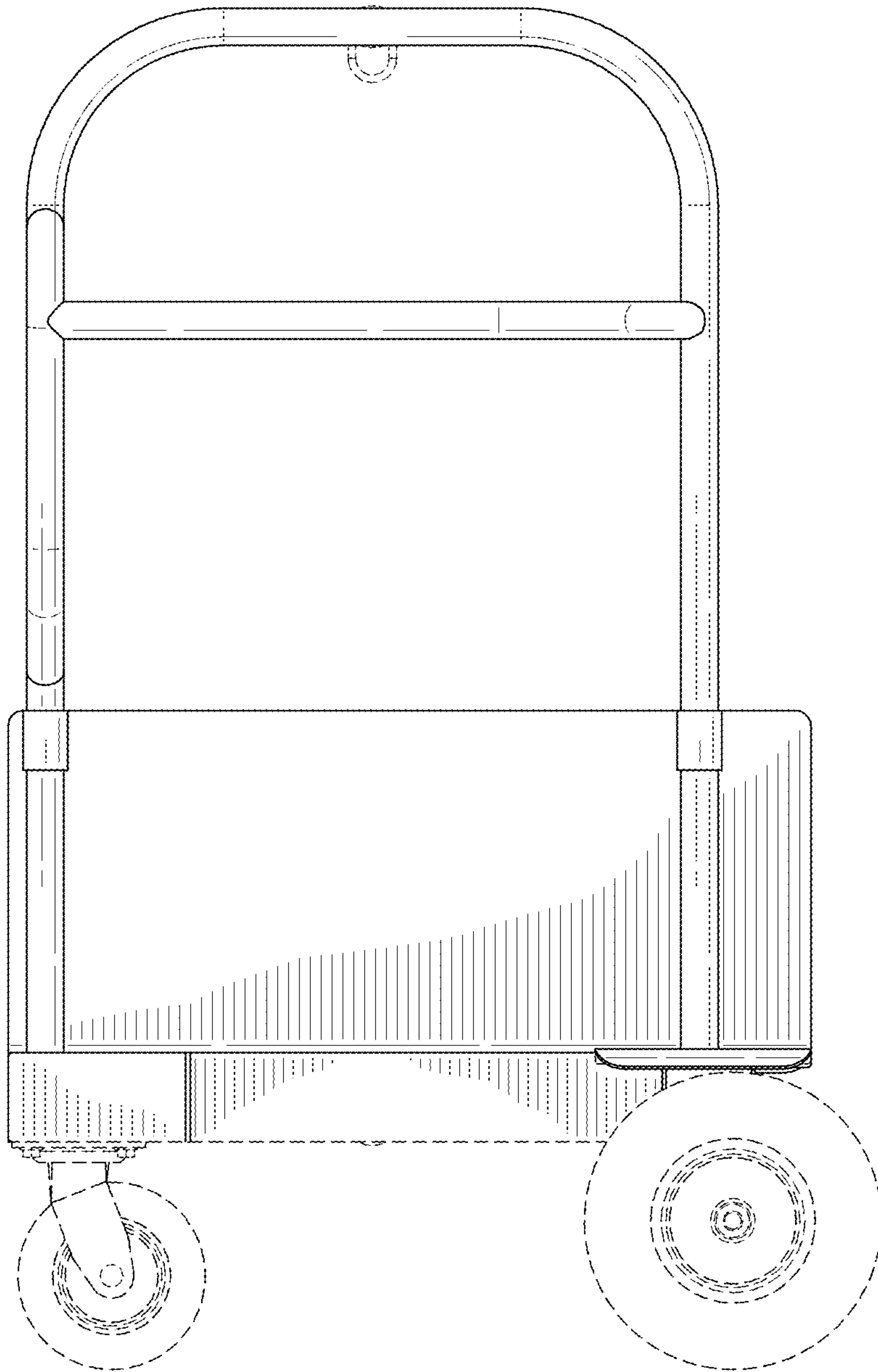


FIG. 12



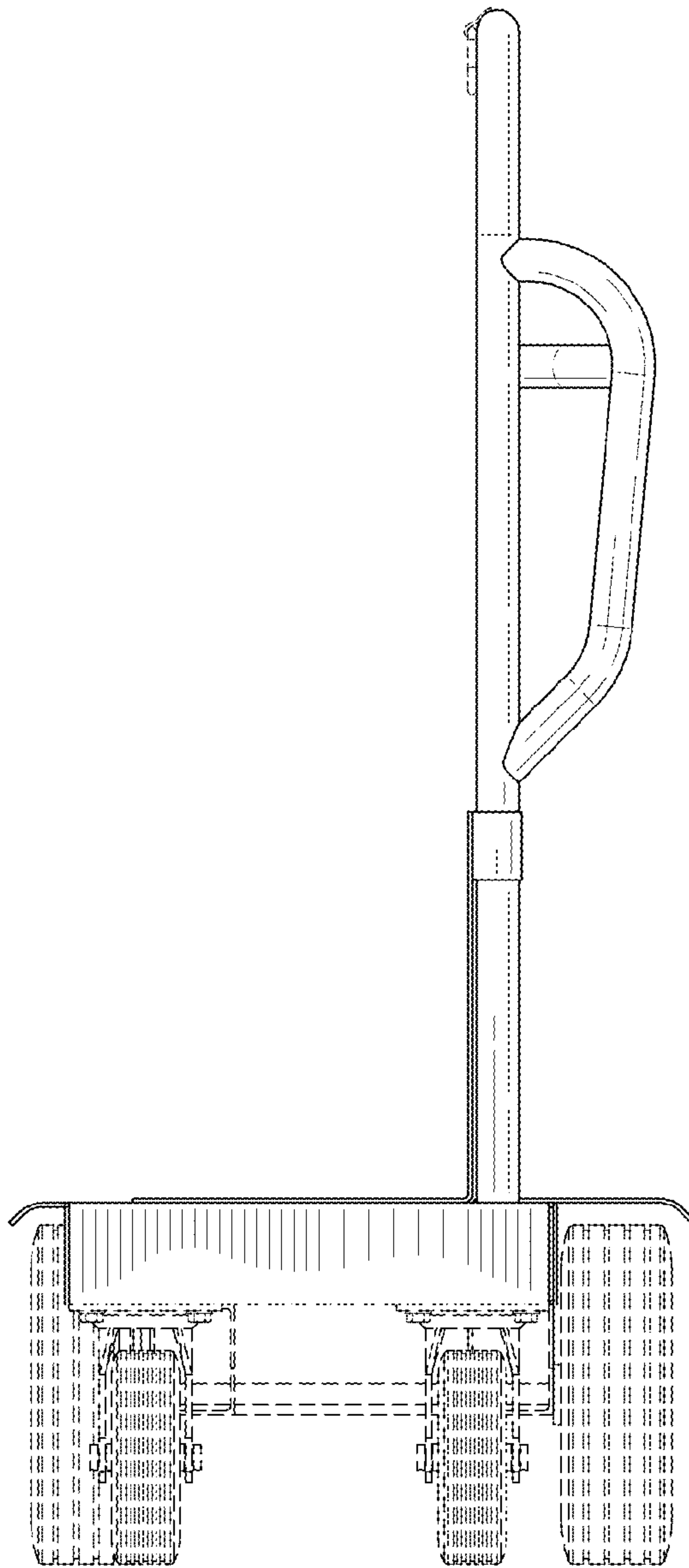


FIG. 13

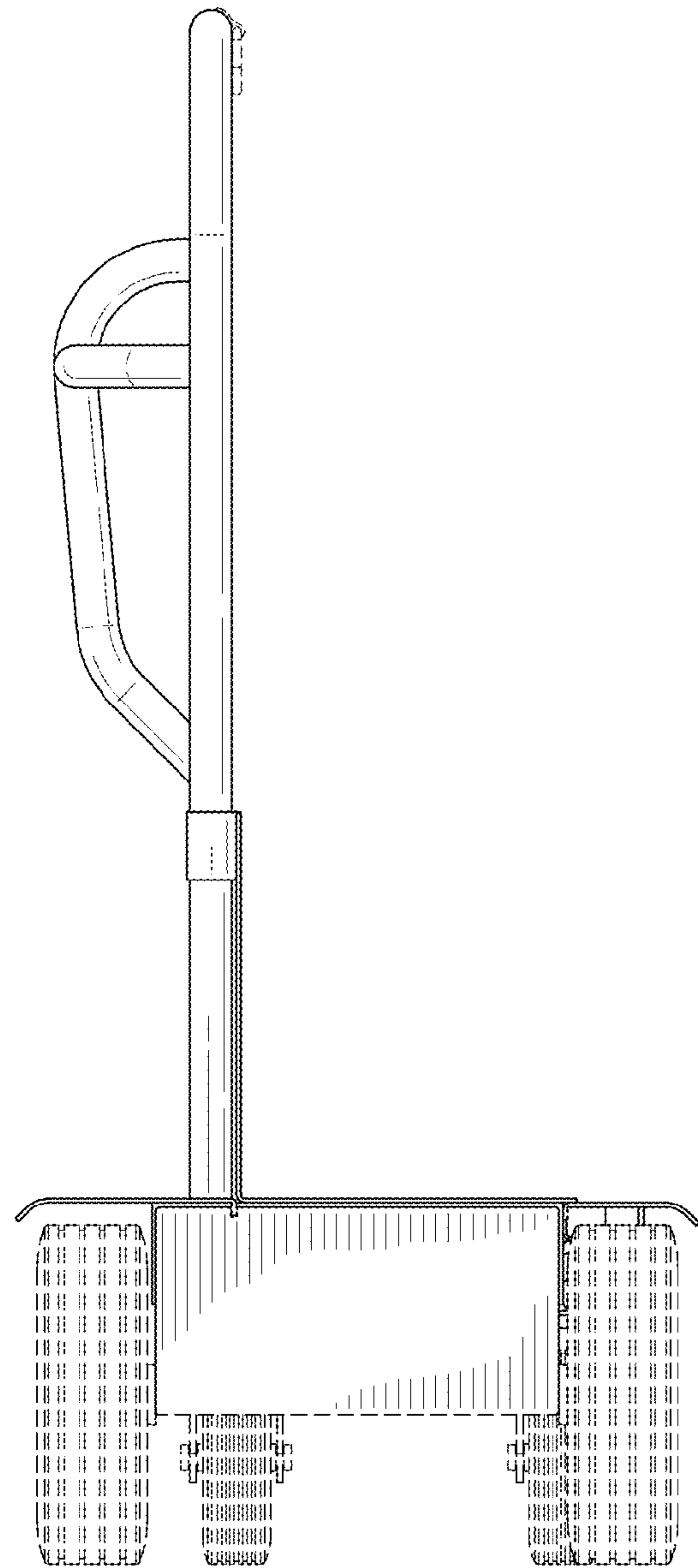


FIG. 14

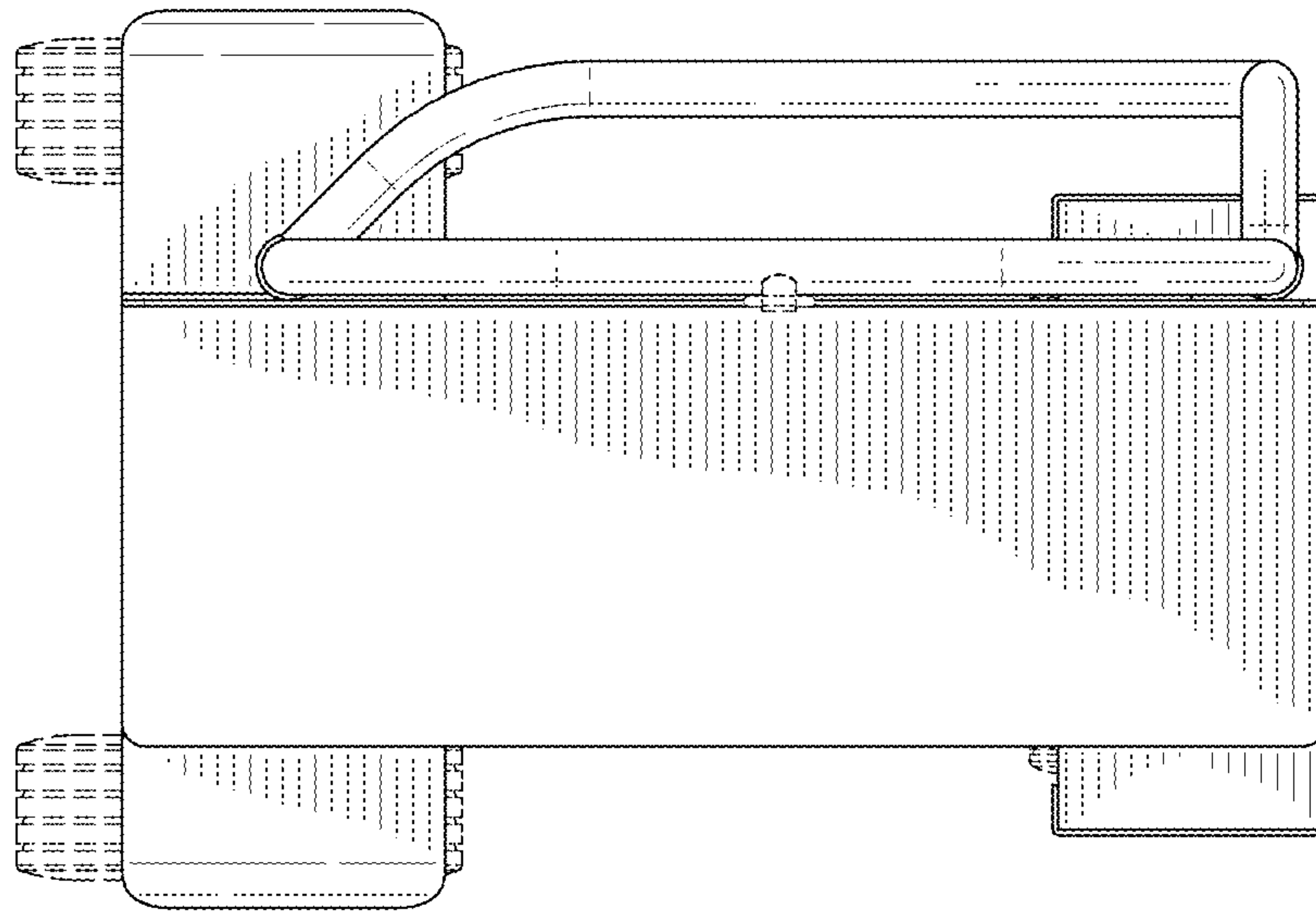


FIG. 15

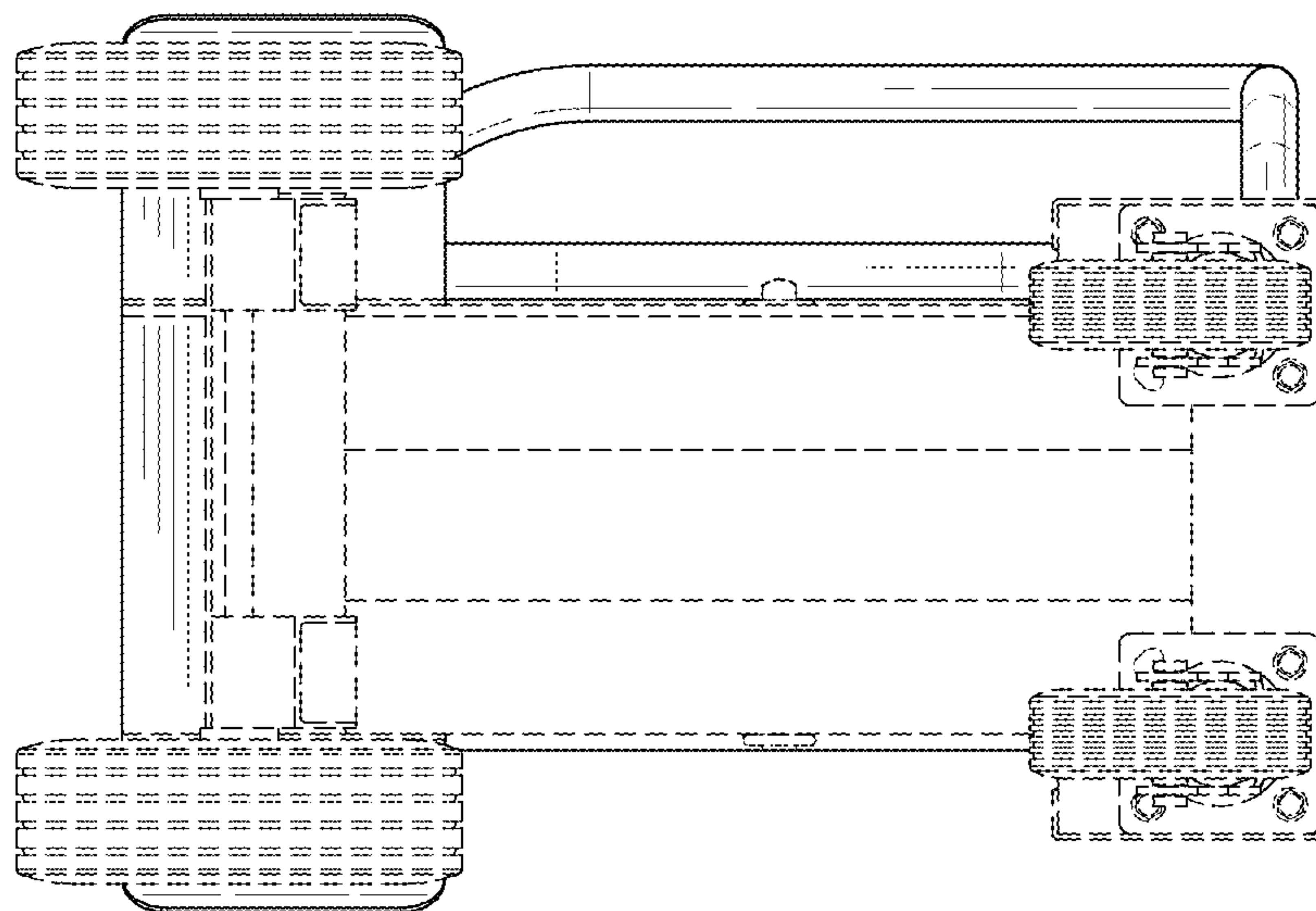


FIG. 16