



US00D904713S

(12) **United States Design Patent** (10) **Patent No.:** **US D904,713 S**
Yang (45) **Date of Patent:** **** Dec. 8, 2020**

(54) **FRAME FOR A HAND CART**
(71) Applicant: **B & B BEST INDUSTRIAL CO., LTD.**, Taipei (TW)
(72) Inventor: **Cheng-Fan Yang**, Tainan (TW)
(73) Assignee: **B & B BEST INDUSTRIAL CO., LTD.**, Taipei (TW)
(**) Term: **15 Years**
(21) Appl. No.: **29/689,553**
(22) Filed: **Apr. 30, 2019**
(51) **LOC (12) Cl.** **12-02**
(52) **U.S. Cl.**
USPC **D34/12**
(58) **Field of Classification Search**
USPC D34/12, 15, 17, 18, 24, 26, 27
CPC B62B 2202/404; B62B 2202/406; B62B 3/022; B62B 3/02; B62B 3/12; B62B 3/102; B62B 1/12; B62B 7/145; B62B 7/142; B62B 7/062
See application file for complete search history.

(56) **References Cited**
U.S. PATENT DOCUMENTS
D452,054 S * 12/2001 Chan D34/15
D522,706 S * 6/2006 Stewart D34/15
D576,084 S * 9/2008 Dotsey D12/129
D596,821 S * 7/2009 Reimers D34/15
D622,924 S * 8/2010 Liao D34/15
D634,913 S * 3/2011 Xie D34/15
D647,679 S * 10/2011 Liao D34/15
D649,731 S * 11/2011 Wang D34/15
D702,010 S * 4/2014 Wang D34/15
D703,411 S * 4/2014 Lin D34/15
D714,511 S * 9/2014 Kuklik D34/15
9,079,598 B1 * 7/2015 Oreyang B62B 3/022
9,393,981 B1 * 7/2016 Lee G05D 1/0255

D794,896 S * 8/2017 Liao D34/15
D812,333 S * 3/2018 Gong D34/15
D846,221 S * 4/2019 Bom D34/15
D854,773 S * 7/2019 Hillesheim D34/15
D865,312 S * 10/2019 Beaulieu D34/15
D870,408 S * 12/2019 Thompson D34/15
2013/0062865 A1 * 3/2013 Liao B62B 3/02 280/651
2013/0103245 A1 * 4/2013 Lee G05D 1/0255 701/23
2013/0229001 A1 * 9/2013 Liao B62B 5/064 280/651

(Continued)

Primary Examiner — Cynthia Ramirez
(74) *Attorney, Agent, or Firm* — Browdy and Neimark, PLLC

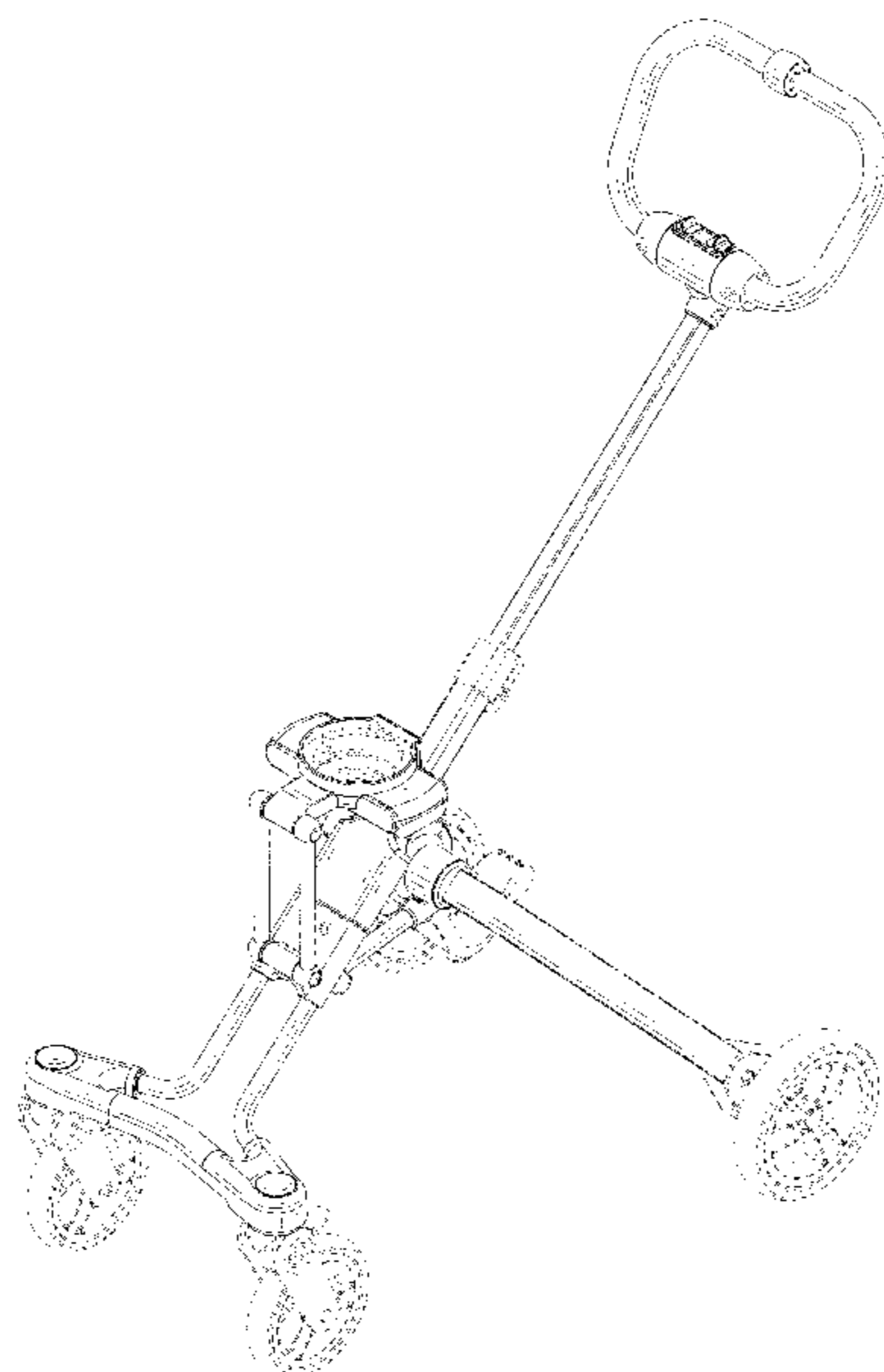
(57) **CLAIM**

The ornamental design for a frame for a hand cart, as shown and described.

DESCRIPTION

FIG. 1 is a top-front-left perspective view of a frame for a hand cart, showing my new design;
FIG. 2 is a top-front-right perspective view thereof;
FIG. 3 is a bottom-front-left perspective view thereof;
FIG. 4 is a front view thereof;
FIG. 5 is a rear view thereof;
FIG. 6 is a left side view thereof;
FIG. 7 is a right side view thereof;
FIG. 8 is a top view thereof;
FIG. 9 is a bottom view thereof; and,
FIG. 10 is a front side view thereof, shown in condition of use.
The broken lines in the drawings are for the purpose of illustrating portions of the frame for a hand cart, which form no part of the claimed design. The additional broken lines showing a chair in FIG. 10 show environment, and form no part of the claimed design.

1 Claim, 10 Drawing Sheets



(56)

References Cited

U.S. PATENT DOCUMENTS

2014/0197619 A1* 7/2014 Kimberley B62B 5/0433
280/651
2018/0208226 A1* 7/2018 Tse B62B 5/0053
2019/0100227 A1* 4/2019 Liao B62B 3/022
2019/0193768 A1* 6/2019 Cheng B62B 9/12
2020/0086906 A1* 3/2020 Yang B62B 7/062

* cited by examiner

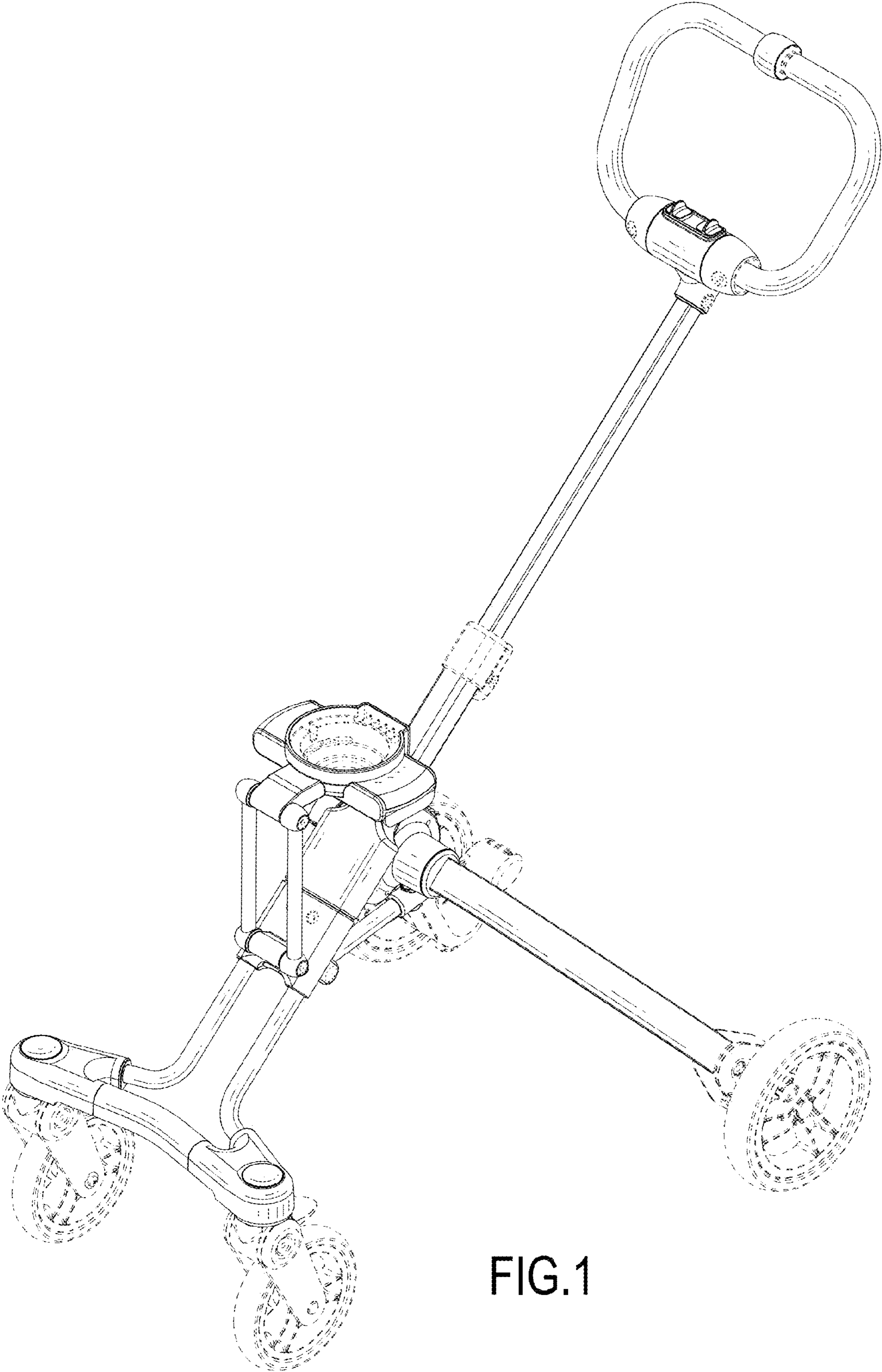


FIG.1

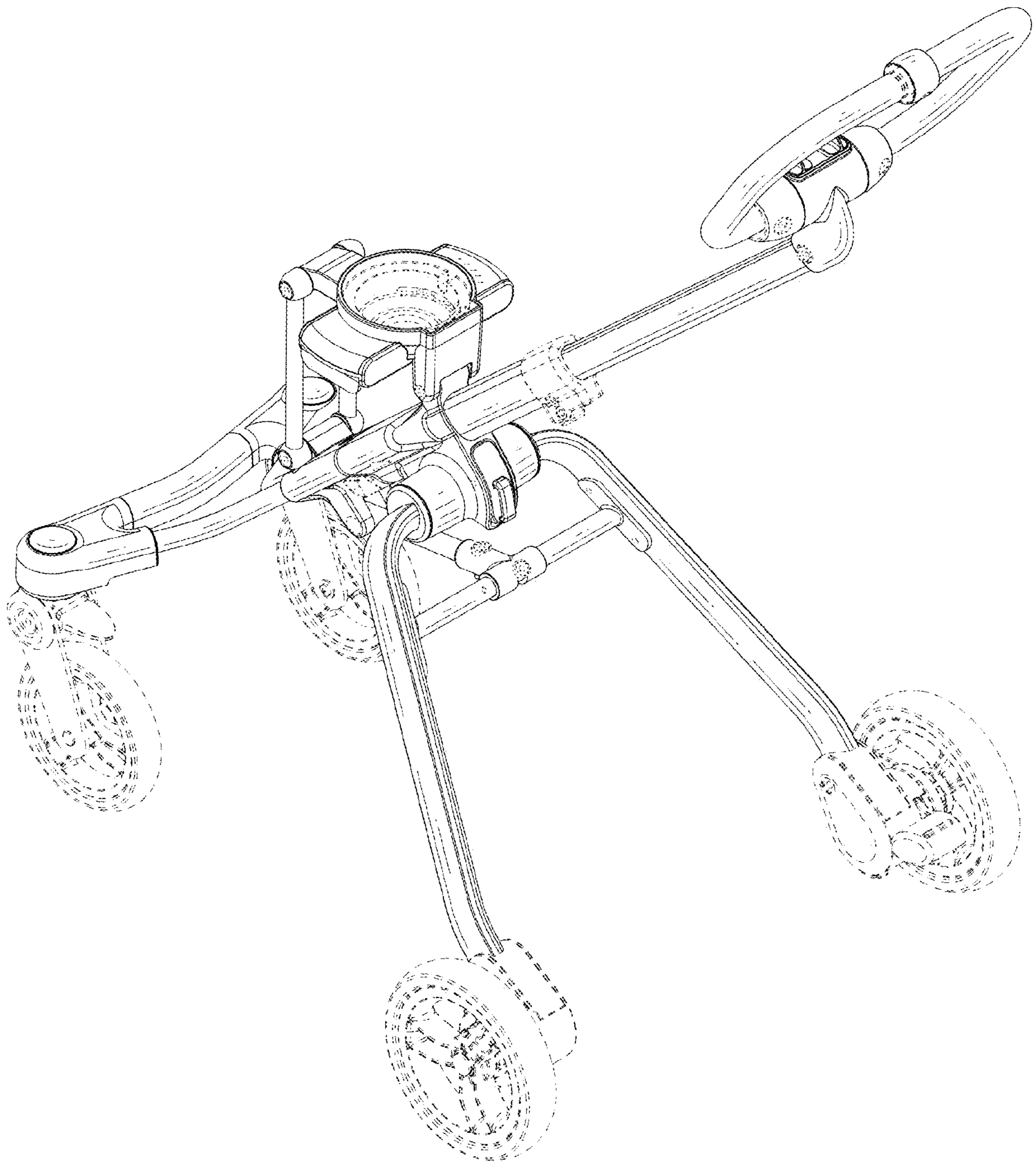


FIG.2

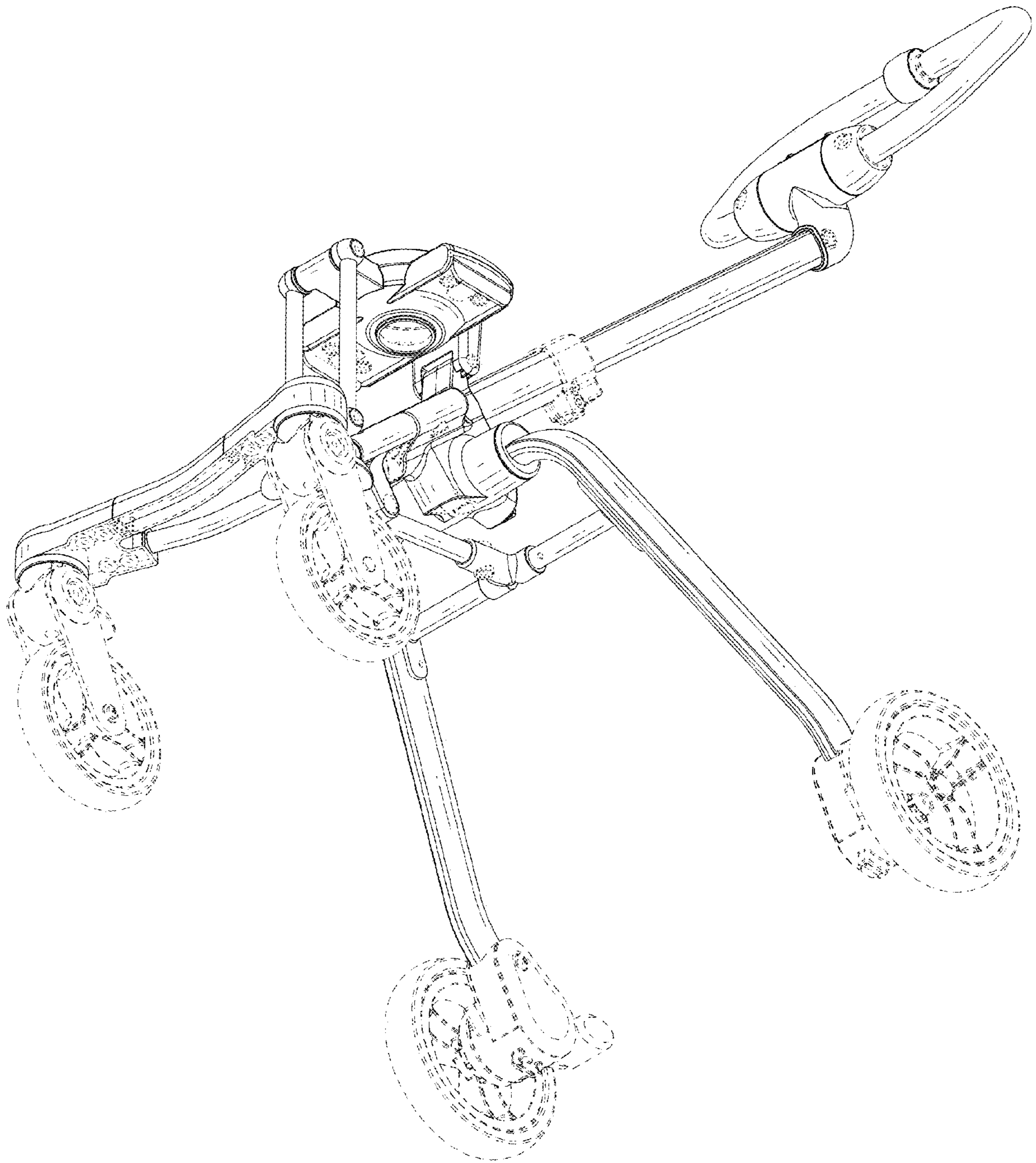


FIG.3

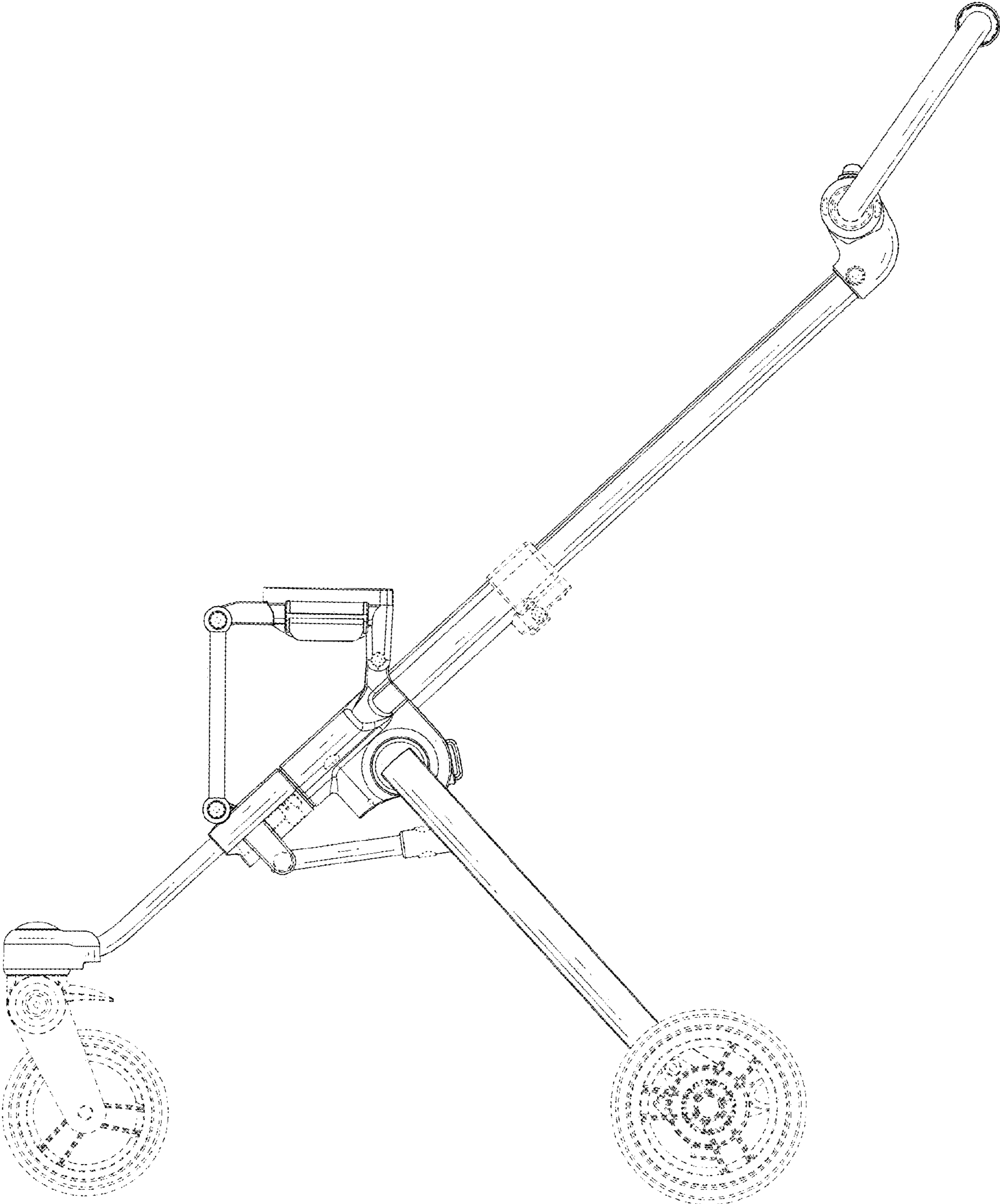


FIG.4

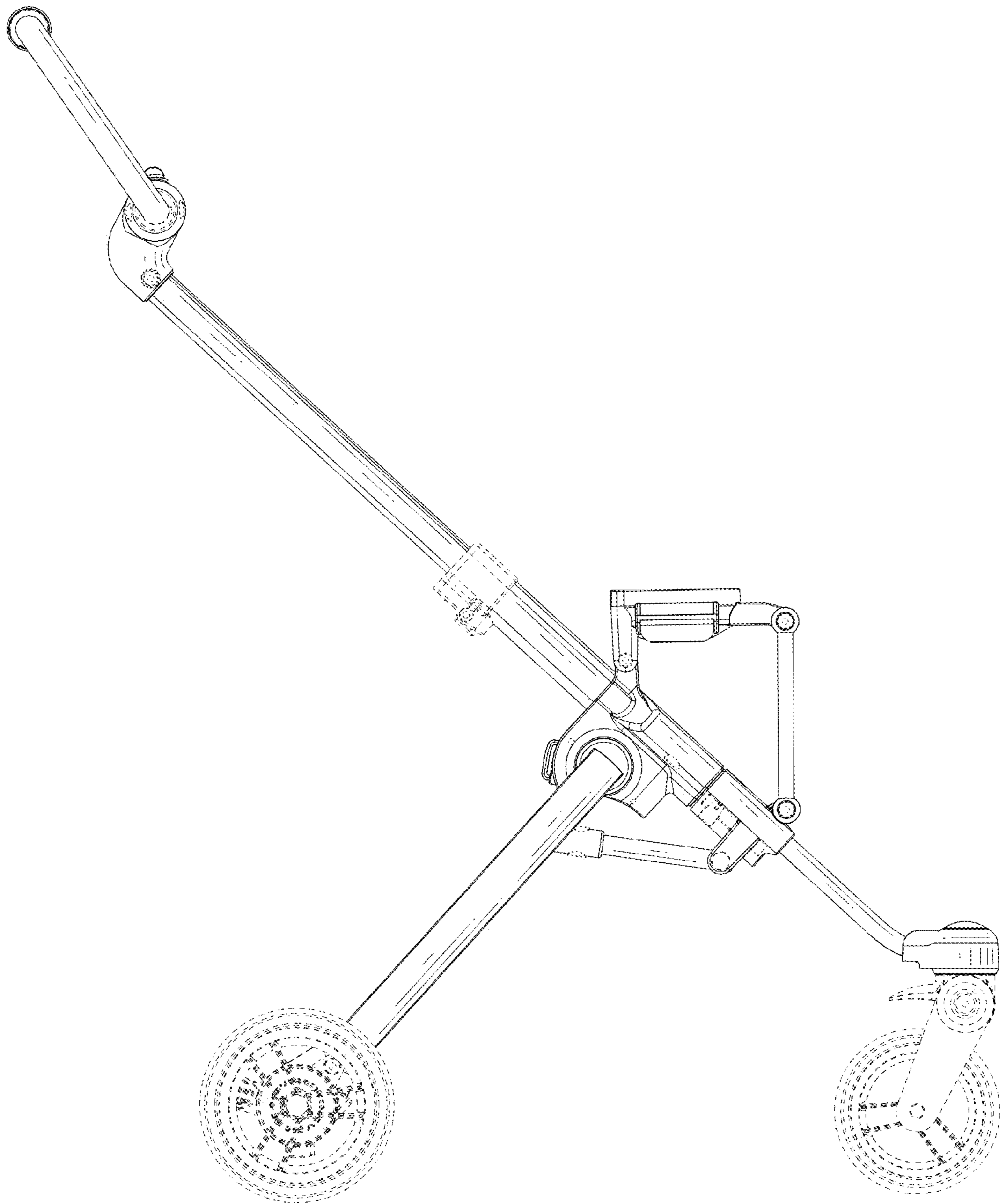


FIG.5

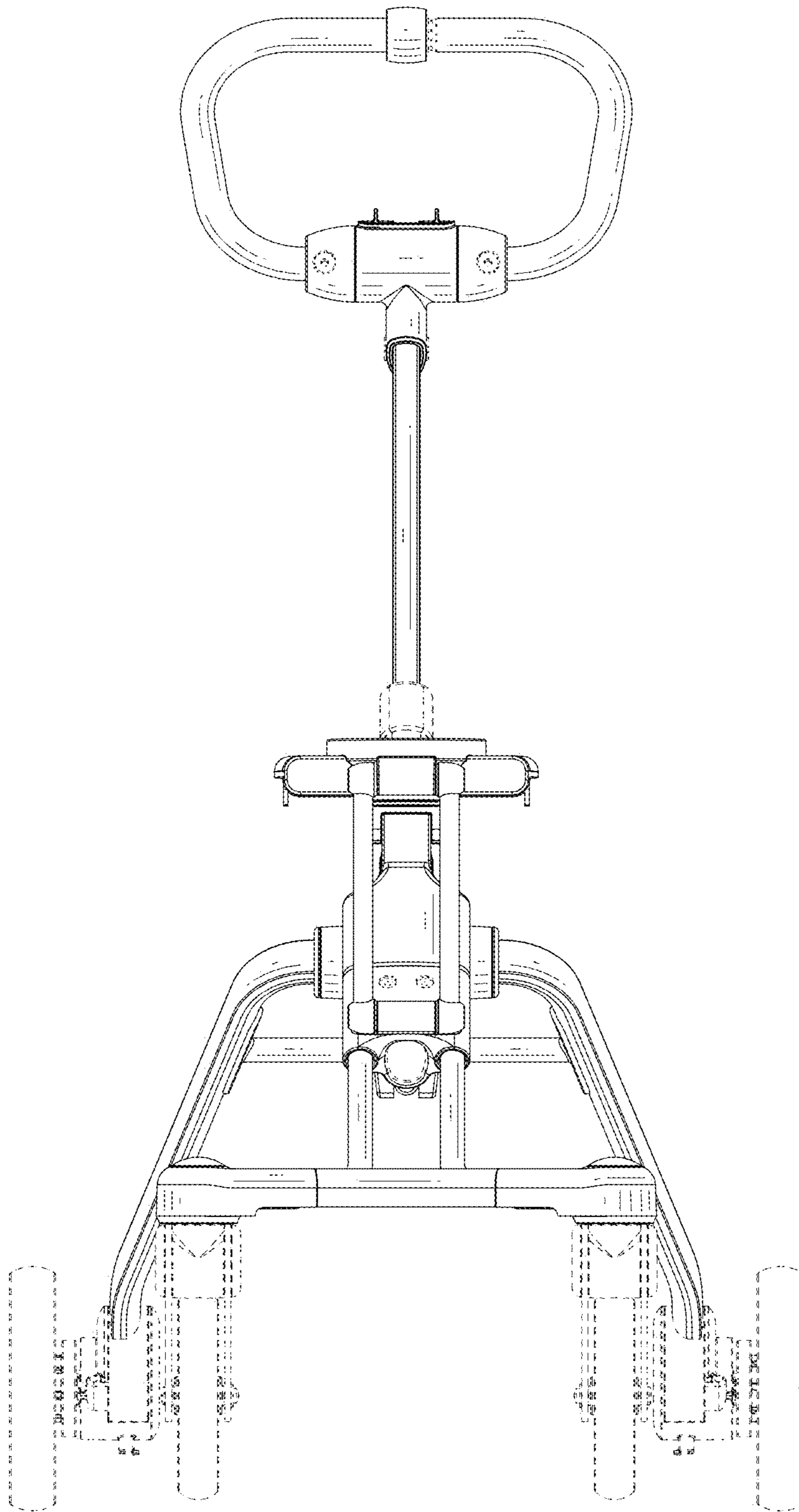


FIG.6

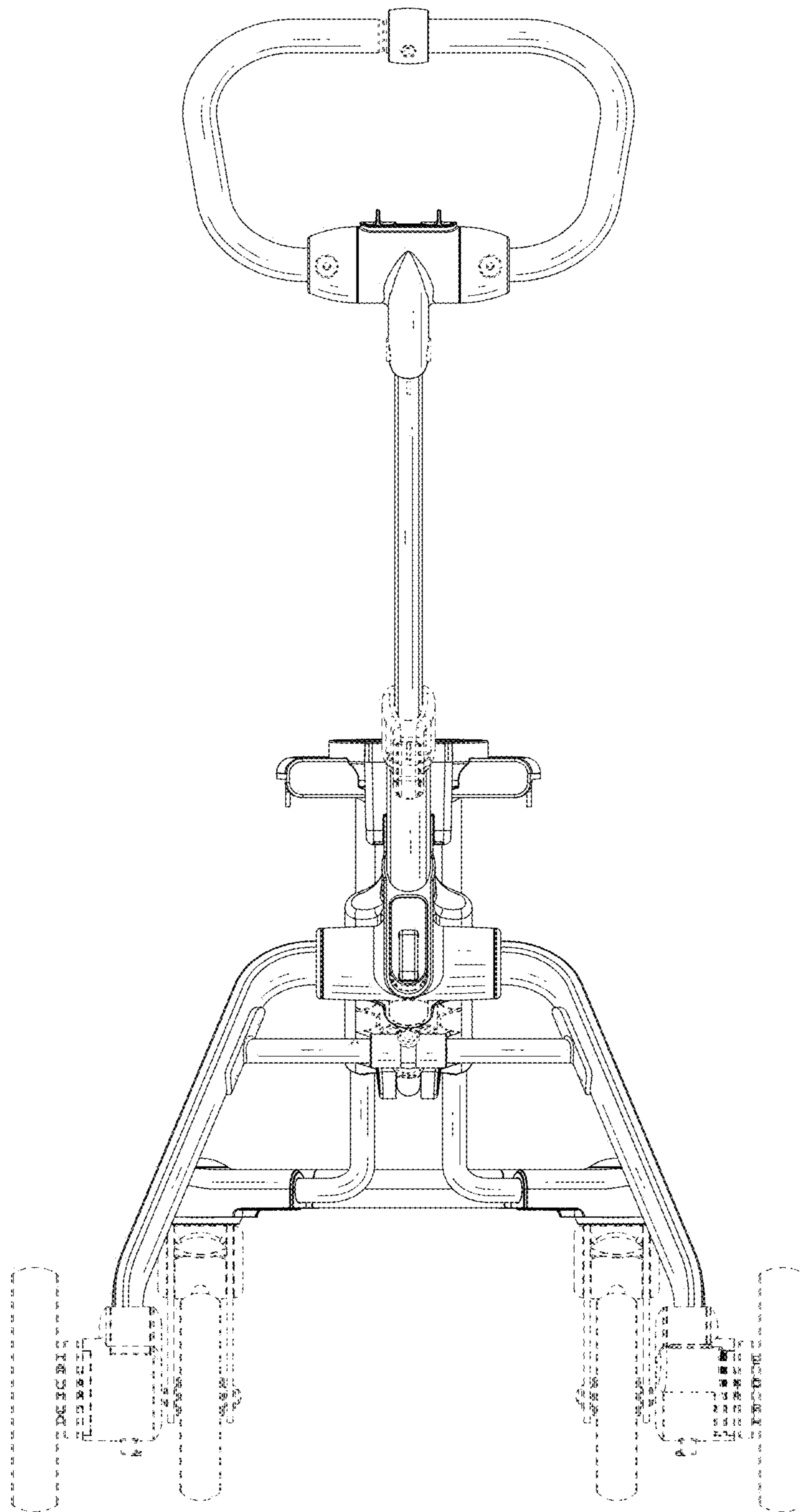


FIG.7

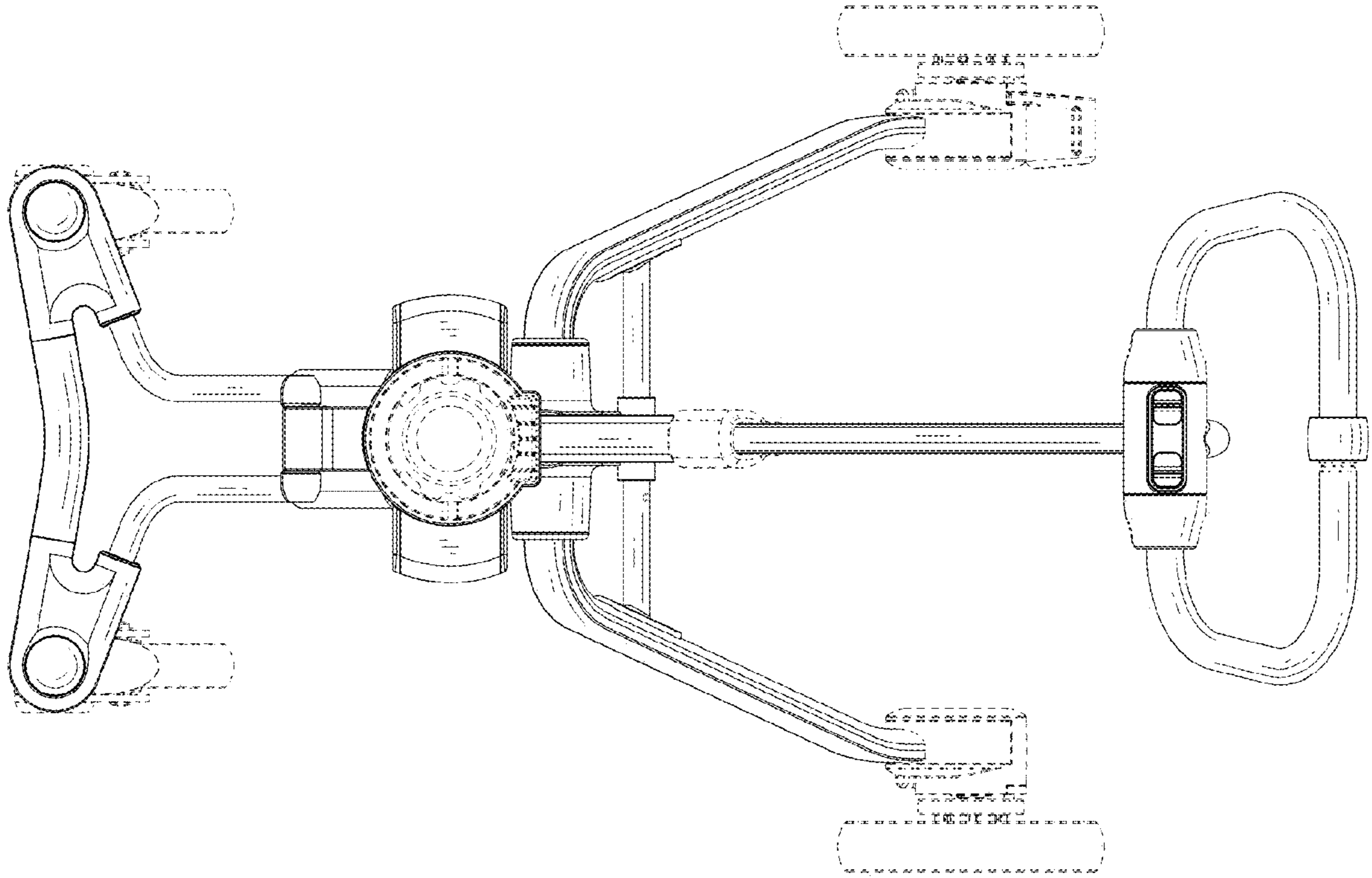


FIG.8

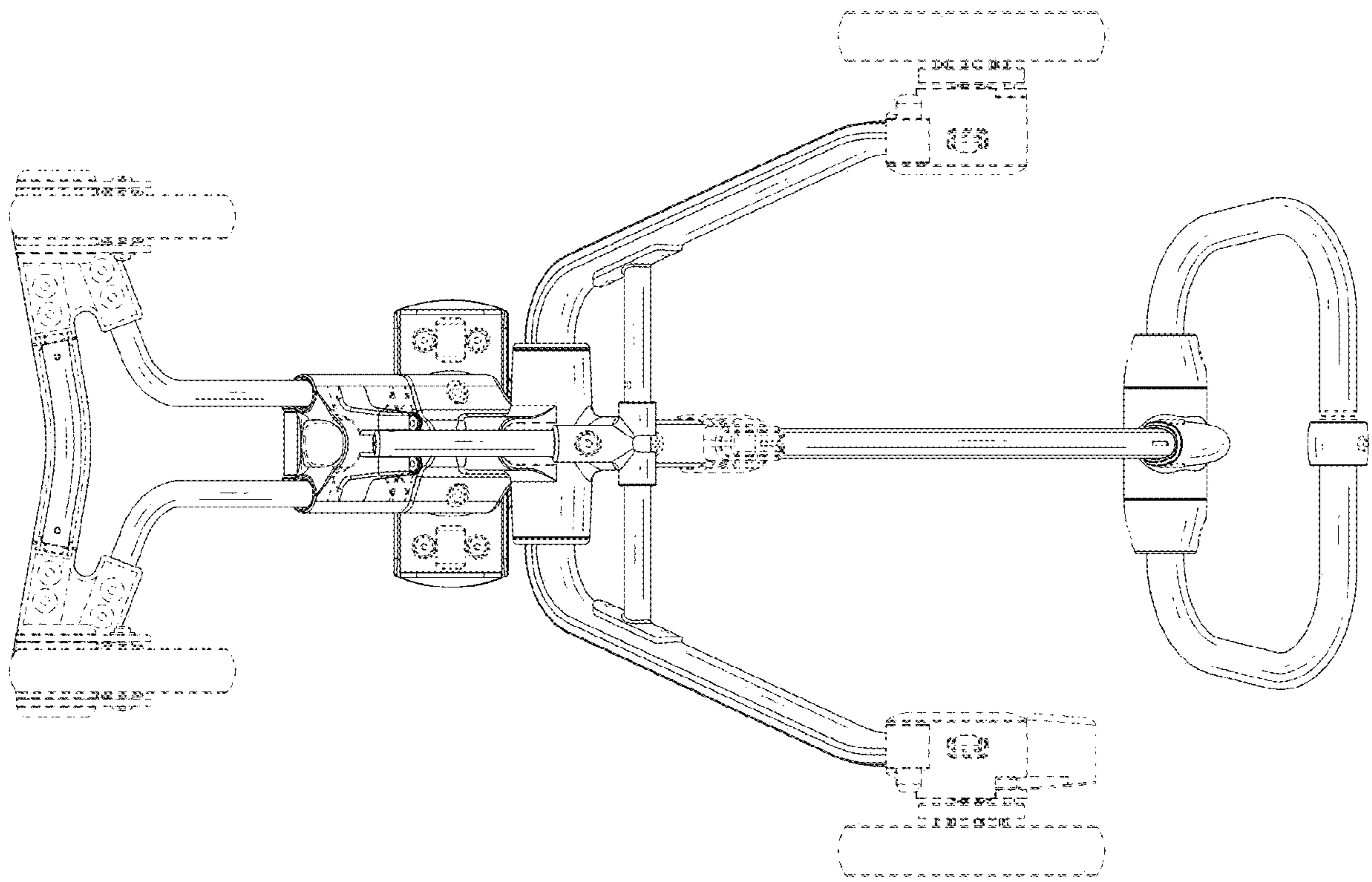


FIG.9

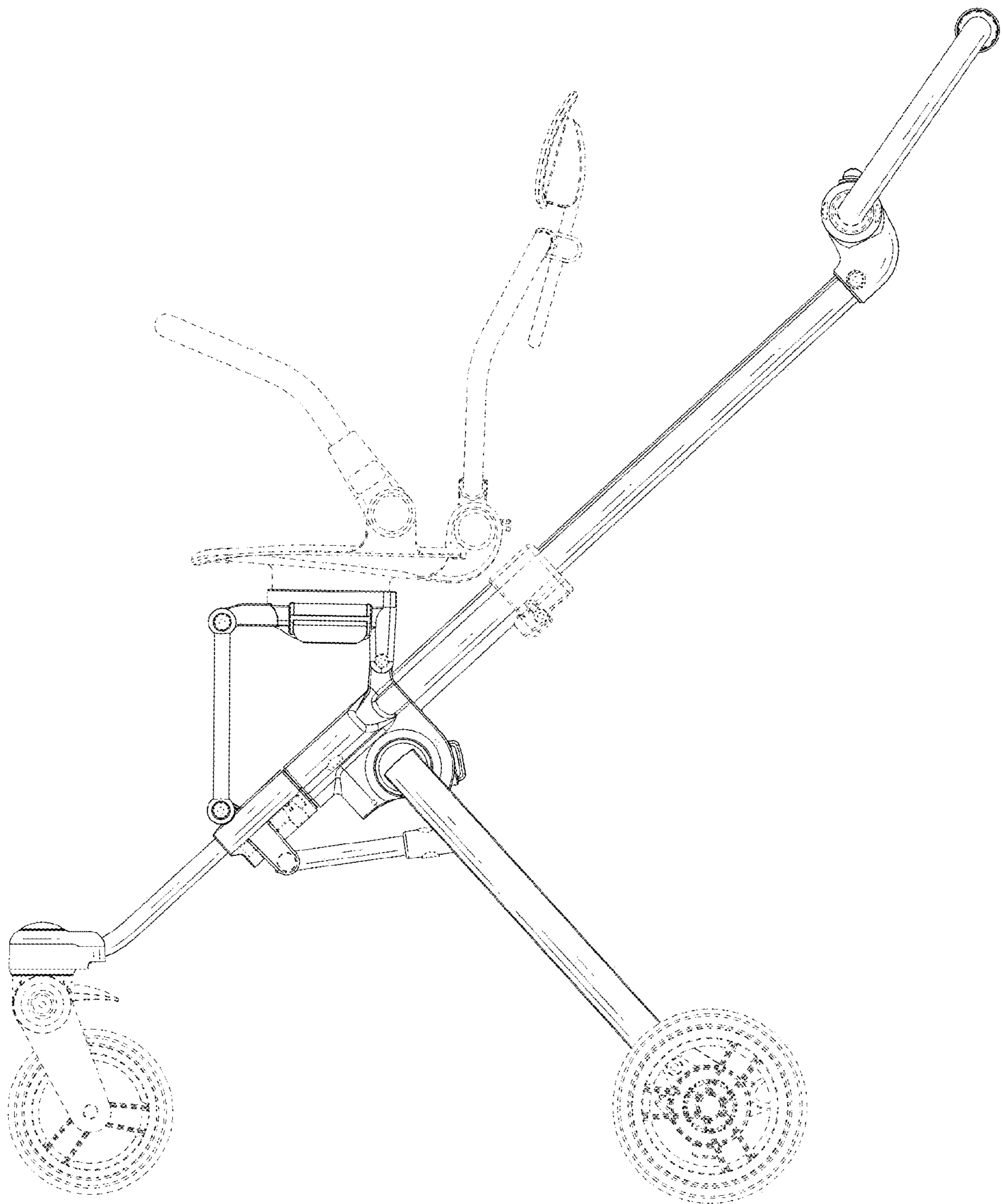


FIG.10