



US00D904712S

(12) **United States Design Patent** (10) **Patent No.:** **US D904,712 S**  
**Slaughenhaupt** (45) **Date of Patent:** **\*\* Dec. 8, 2020**

- (54) **LITTER AND RECYCLING RECEPTACLE**
- (71) Applicant: **VICTOR STANLEY, INC.**, Dunkirk, MD (US)
- (72) Inventor: **Bryan Slaughenhaupt**, Deale, MD (US)
- (73) Assignee: **VICTOR STANLEY, INC.**, Dunkirk, MD (US)
- (\*\*) Term: **15 Years**
- (21) Appl. No.: **29/703,741**
- (22) Filed: **Aug. 29, 2019**
- (51) **LOC (12) Cl.** ..... **09-09**
- (52) **U.S. Cl.**  
USPC ..... **D34/7**
- (58) **Field of Classification Search**  
USPC ..... D34/1-11; D9/737, 738, 770, 772, 777, D9/778; D7/603, 604, 605, 608  
CPC ..... B65F 1/00; B65F 1/163; B65F 1/1638; B65F 1/0033; B65F 1/16; B65F 1/122; B65F 2001/1489; B65F 2240/132; Y10S 220/908; A01K 1/001  
See application file for complete search history.

- D800,405 S 10/2017 Slaughenhaupt et al.
  - D803,505 S \* 11/2017 Duvigneau ..... D34/9
  - D804,759 S 12/2017 Slaughenhaupt et al.
  - D830,787 S \* 10/2018 Petrillo ..... D7/624.2
  - D839,679 S \* 2/2019 Yuki ..... D7/603
- (Continued)

**OTHER PUBLICATIONS**

Victor Stanley, announced 2020 [online], [site visited Aug. 26, 2020]. Available from internet, URL: <https://www.victorstanley.com/product/ren-sd-sd/> (Year: 2020).\*

(Continued)

*Primary Examiner* — George A Bugg  
*Assistant Examiner* — Tamara L Hahn  
(74) *Attorney, Agent, or Firm* — Westerman, Hattori, Daniels & Adrian, LLP

(57) **CLAIM**

The ornamental design for a litter and recycling receptacle, as shown and described.

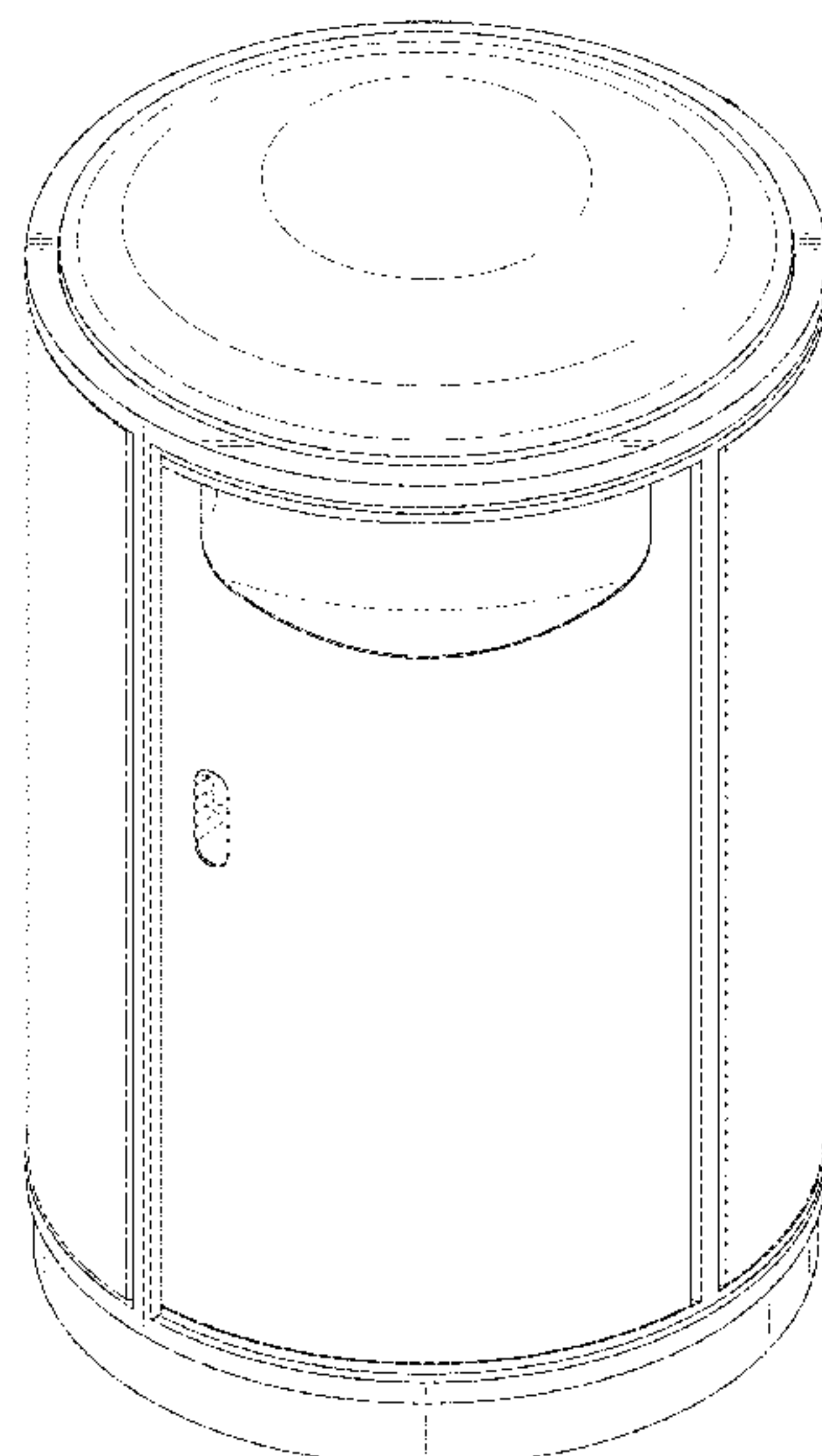
**DESCRIPTION**

FIG. 1 is a top perspective view of a litter and recycling receptacle, showing my new design; FIG. 2 is a bottom perspective view thereof; FIG. 3 is a front elevational view thereof; FIG. 4 is a rear elevational view thereof; FIG. 5 is a right side elevational view thereof; FIG. 6 is a left side elevational view thereof; FIG. 7 is a top plan view thereof; FIG. 8 is a bottom plan view thereof; and, FIG. 9 is a top perspective view thereof, showing a side of the litter and recycling receptacle in an open state. Broken lines formed of equal length dashes show unclaimed portions of the design. Broken lines formed of unequal length dashes (i.e., dash-dot) show boundaries between claimed and unclaimed portions of the design.

**1 Claim, 9 Drawing Sheets**

(56) **References Cited**  
U.S. PATENT DOCUMENTS

- D517,761 S \* 3/2006 Yang ..... D34/7
- D559,494 S \* 1/2008 Yang ..... D34/7
- D629,657 S \* 12/2010 Carreno ..... D7/629
- D661,857 S 6/2012 Skalka
- D671,289 S 11/2012 Skalka
- D671,290 S \* 11/2012 Vanhoof ..... D34/9
- D685,231 S \* 7/2013 Lane ..... D7/629
- D719,313 S \* 12/2014 Kao ..... D34/7
- D737,014 S \* 8/2015 Wall ..... D34/9
- D774,269 S \* 12/2016 Spadotto ..... D34/8
- D783,919 S 4/2017 Slaughenhaupt et al.
- D785,269 S 4/2017 Slaughenhaupt et al.
- D786,025 S \* 5/2017 Seiders ..... D7/624.2



(56)

**References Cited**

U.S. PATENT DOCUMENTS

2008/0116207 A1\* 5/2008 Yang ..... B65F 1/06  
220/495.11  
2009/0020533 A1\* 1/2009 Barber ..... B65D 25/14  
220/495.06

OTHER PUBLICATIONS

Litter Recycling Receptacle and Bryan Slaughenhaupt, Apr. 3,  
2019, U.S. Appl. No. 29/686,261.  
Litter Recycling Receptacle and Bryan Slaughenhaupt, Aug. 29,  
2019, U.S. Appl. No. 29/703,741.

\* cited by examiner

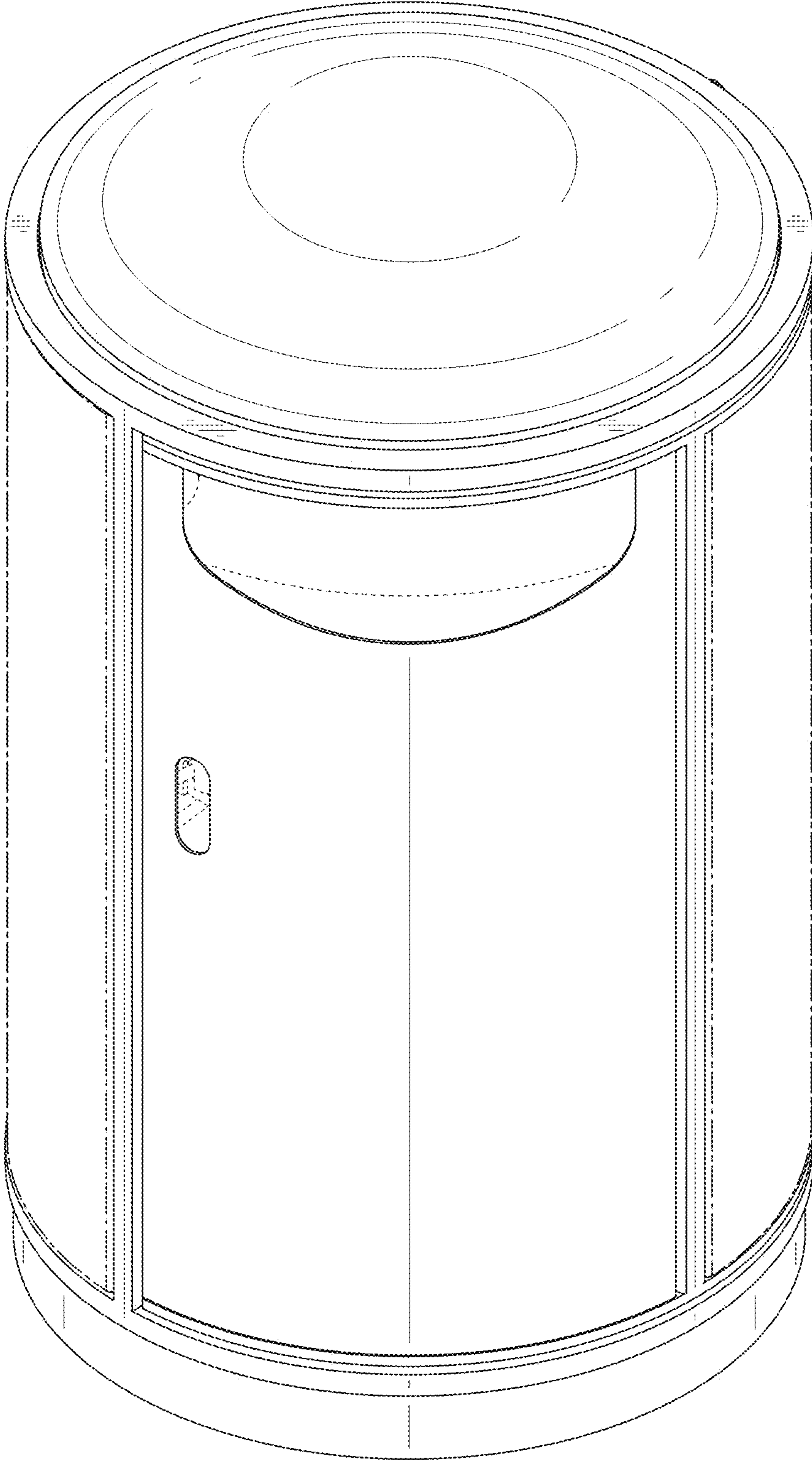


FIG. 1

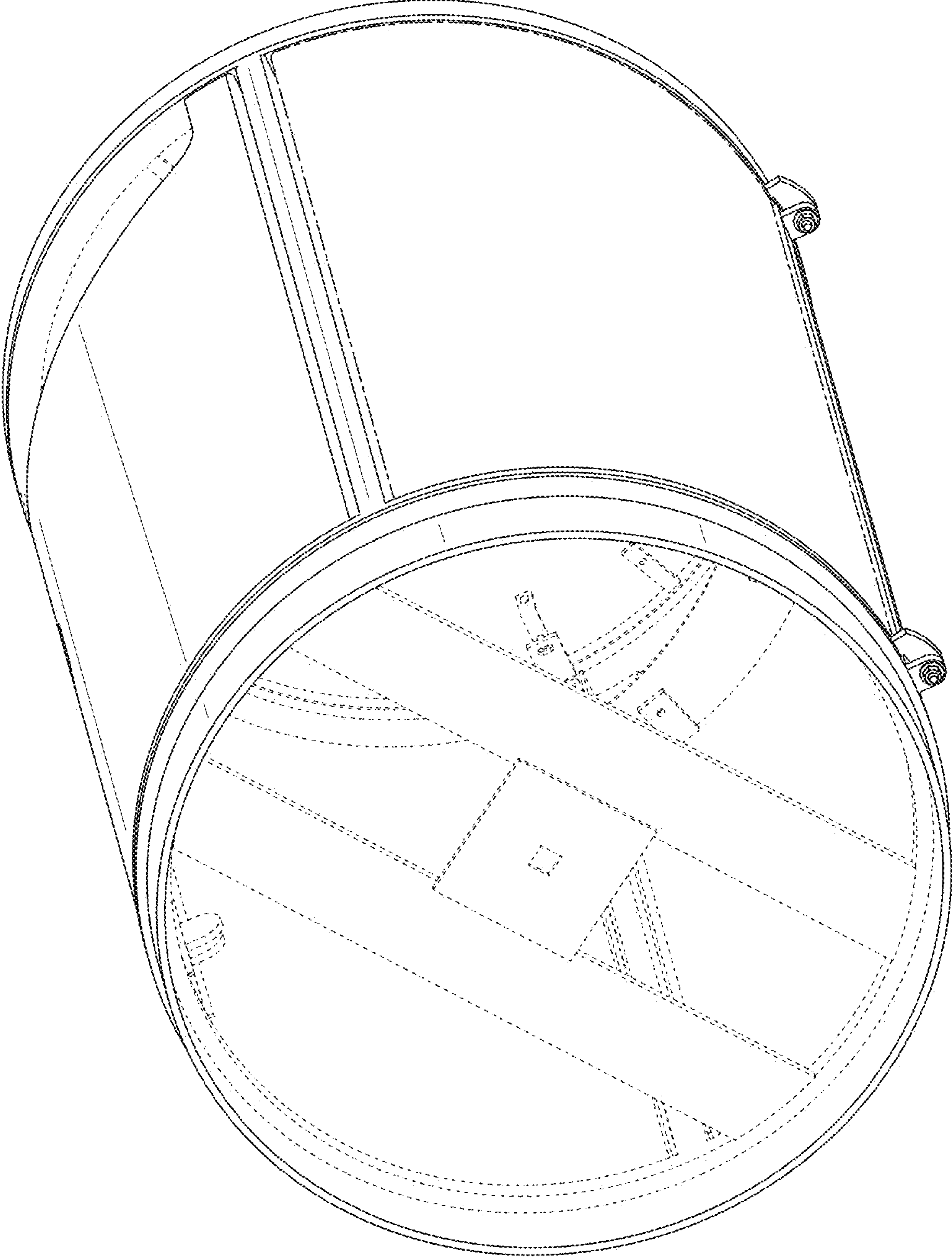


FIG. 2



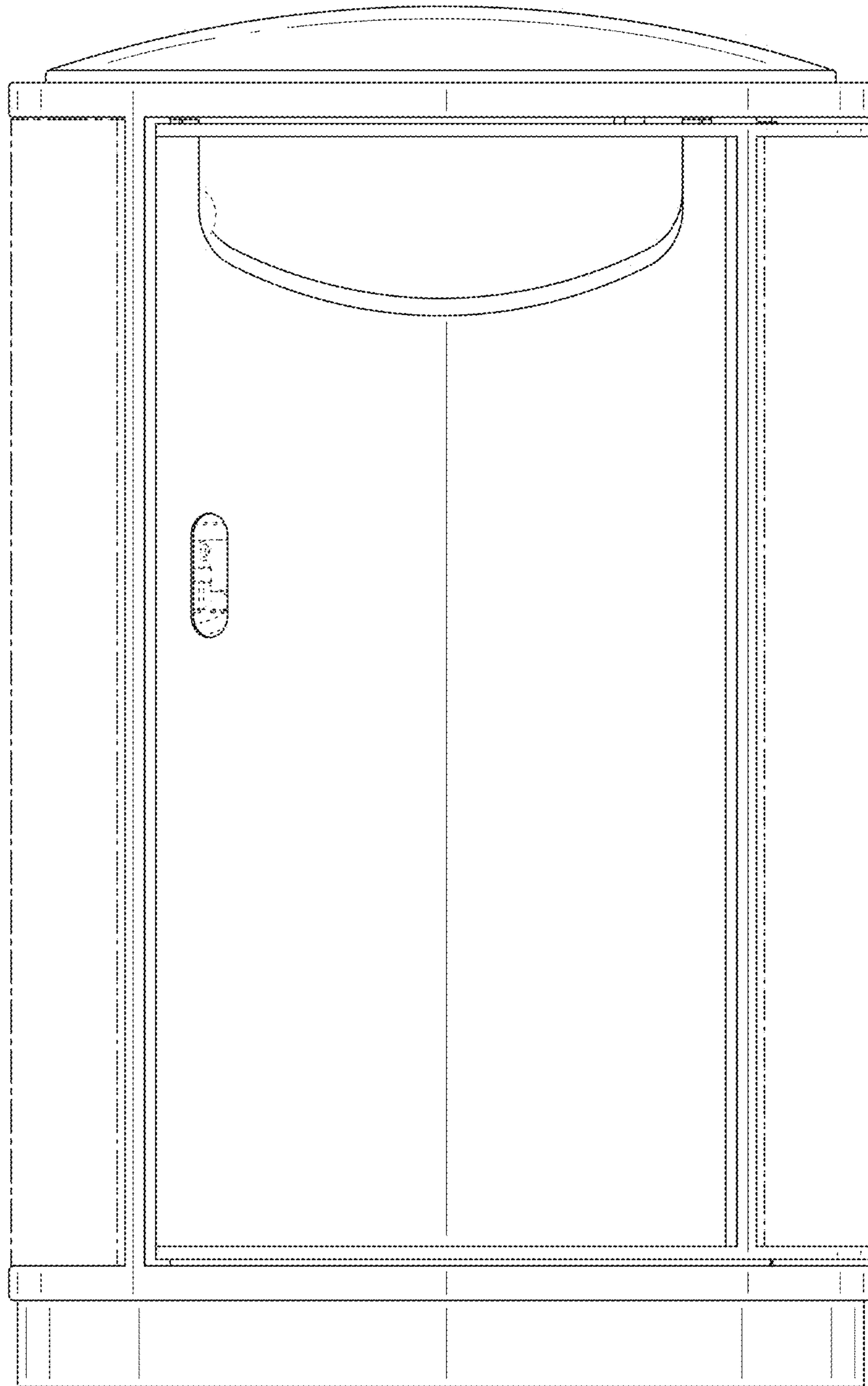


FIG. 3

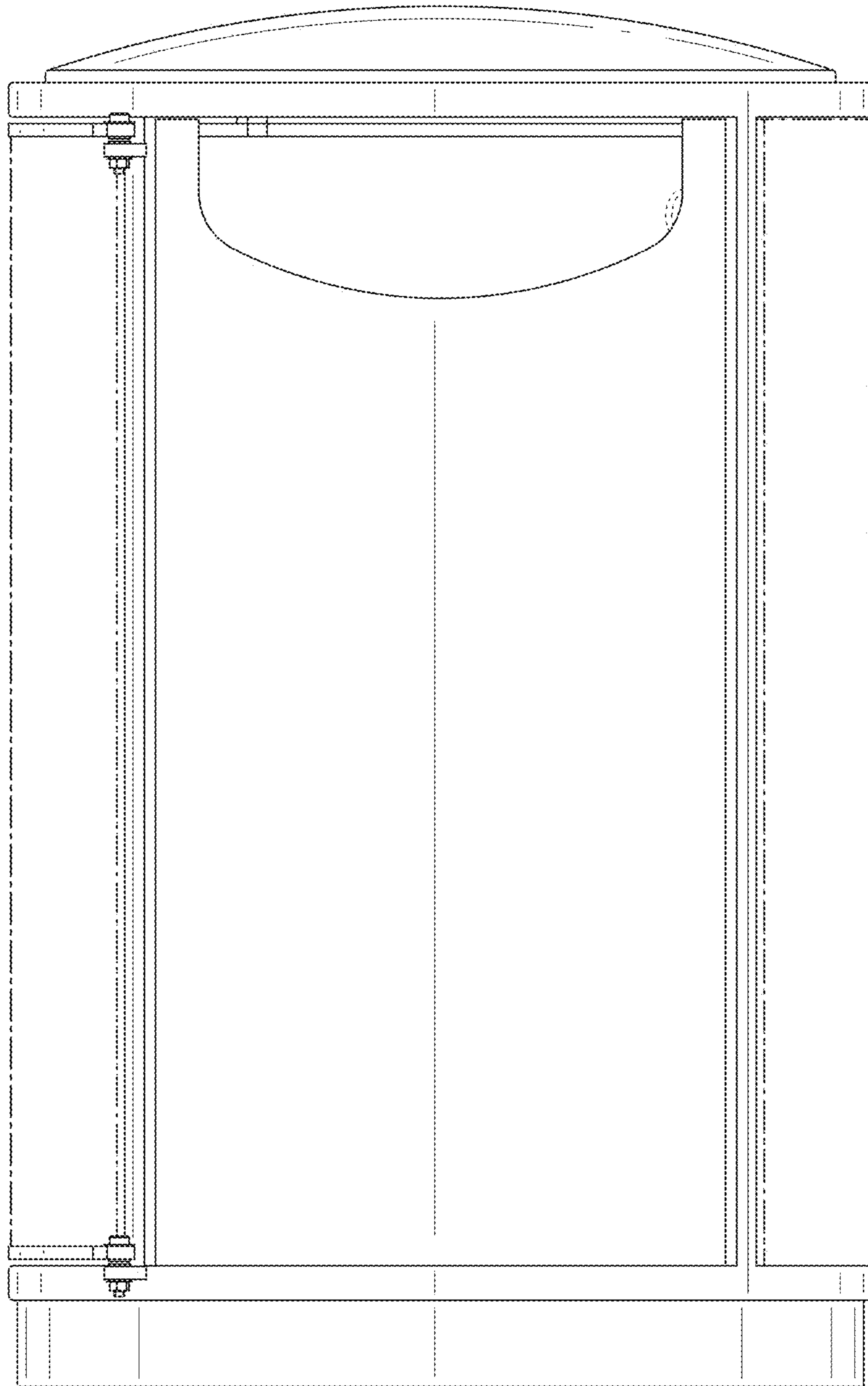


FIG. 4

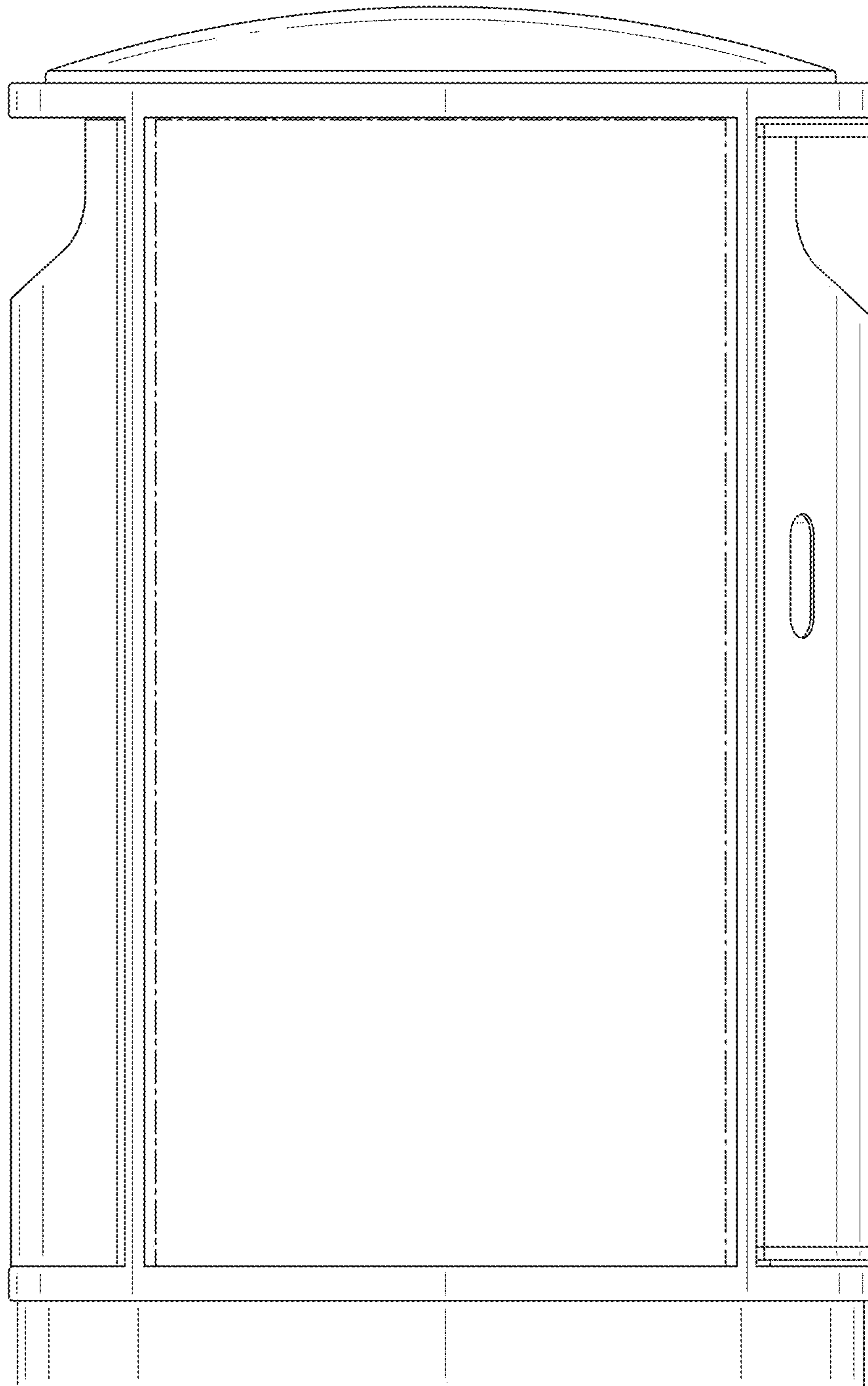


FIG. 5

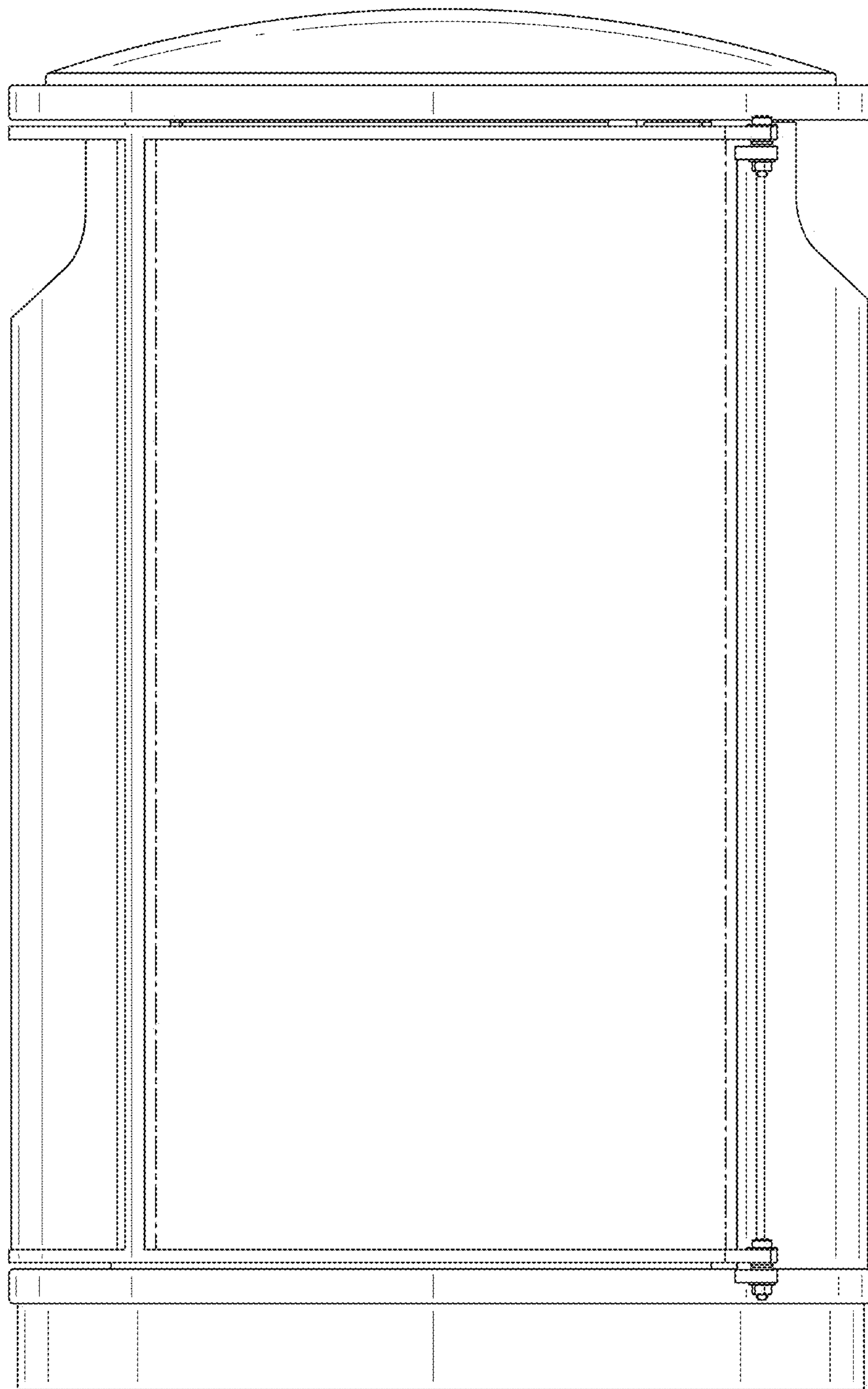


FIG. 6



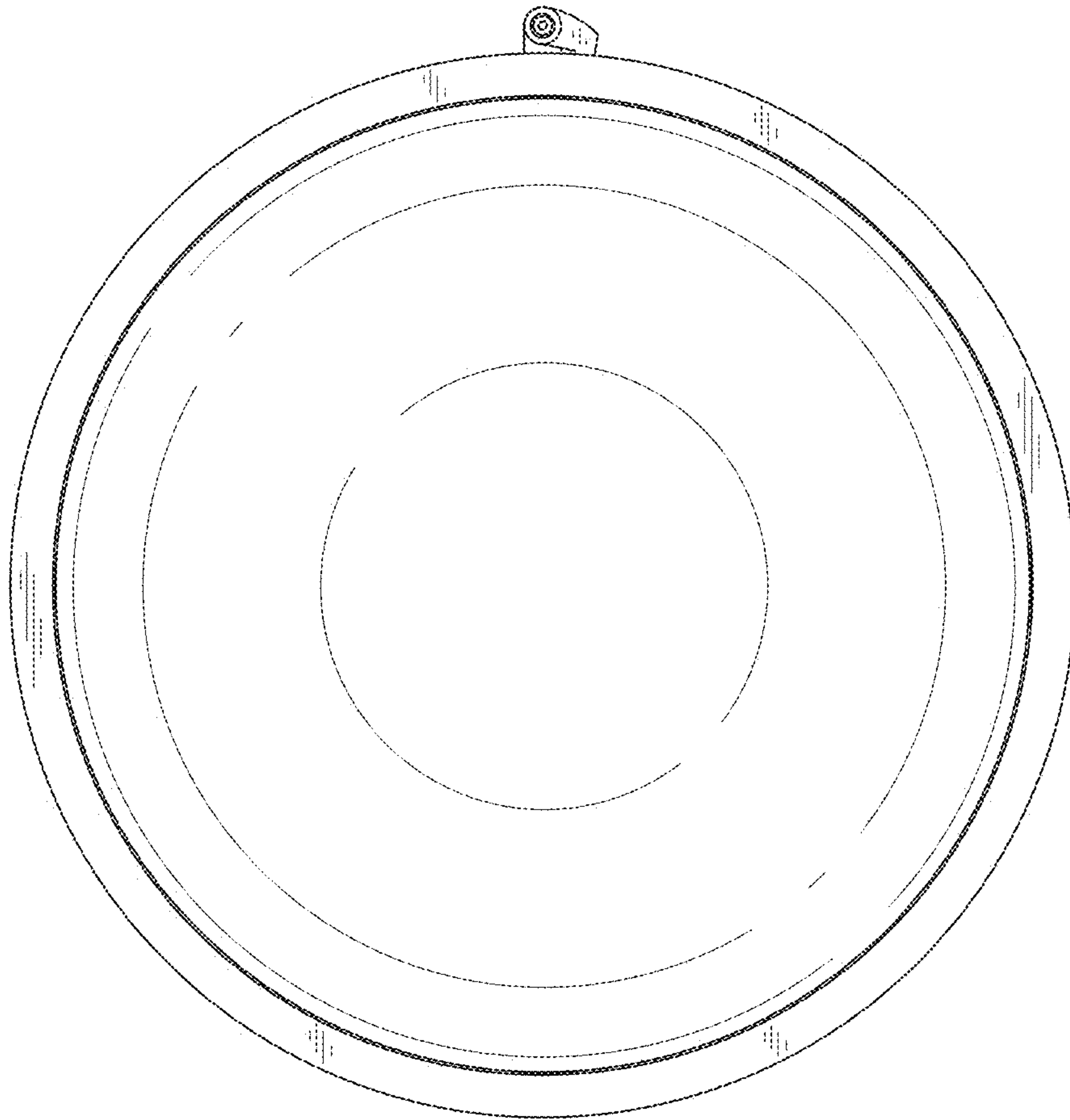


FIG. 7

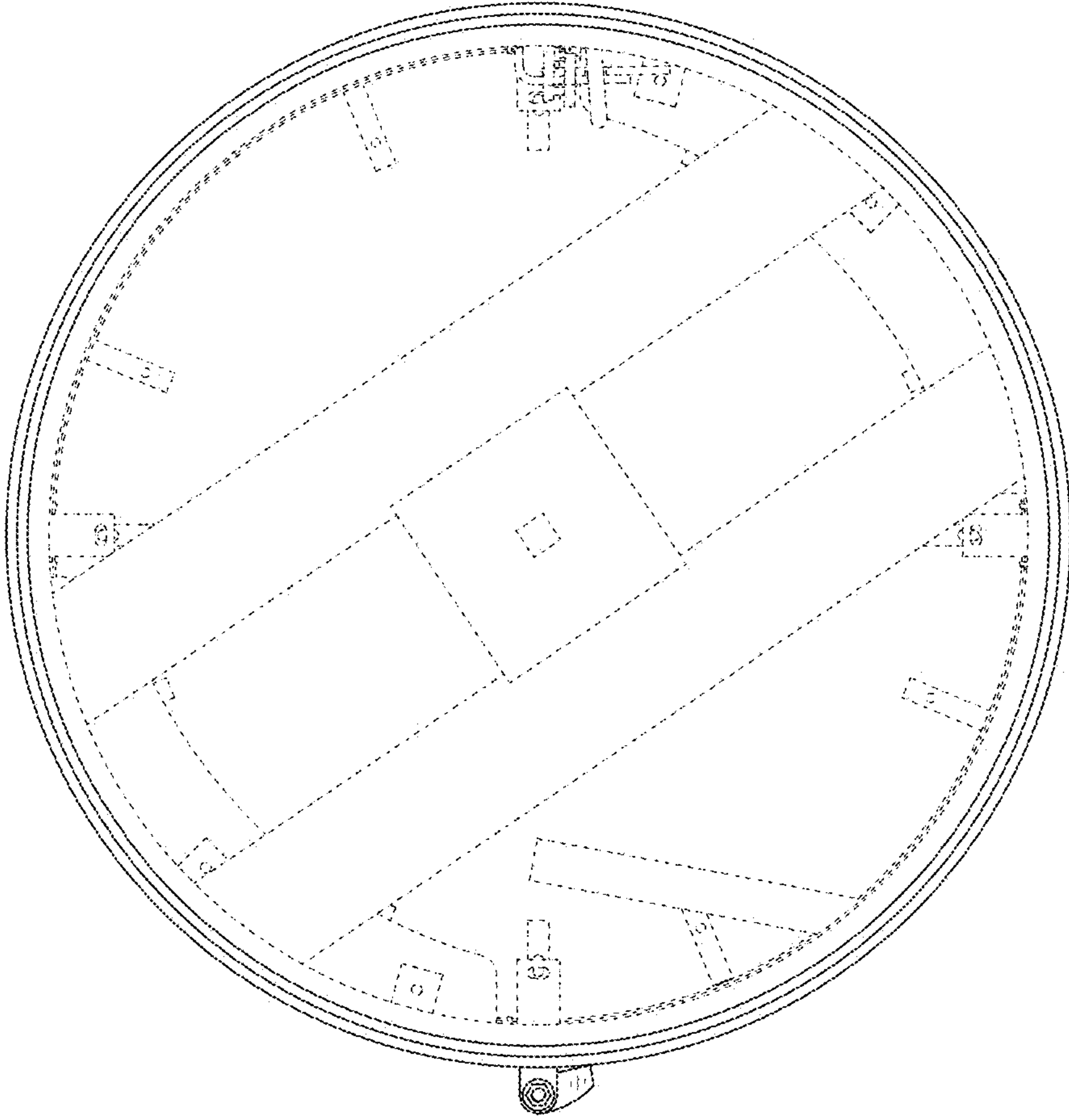


FIG. 8

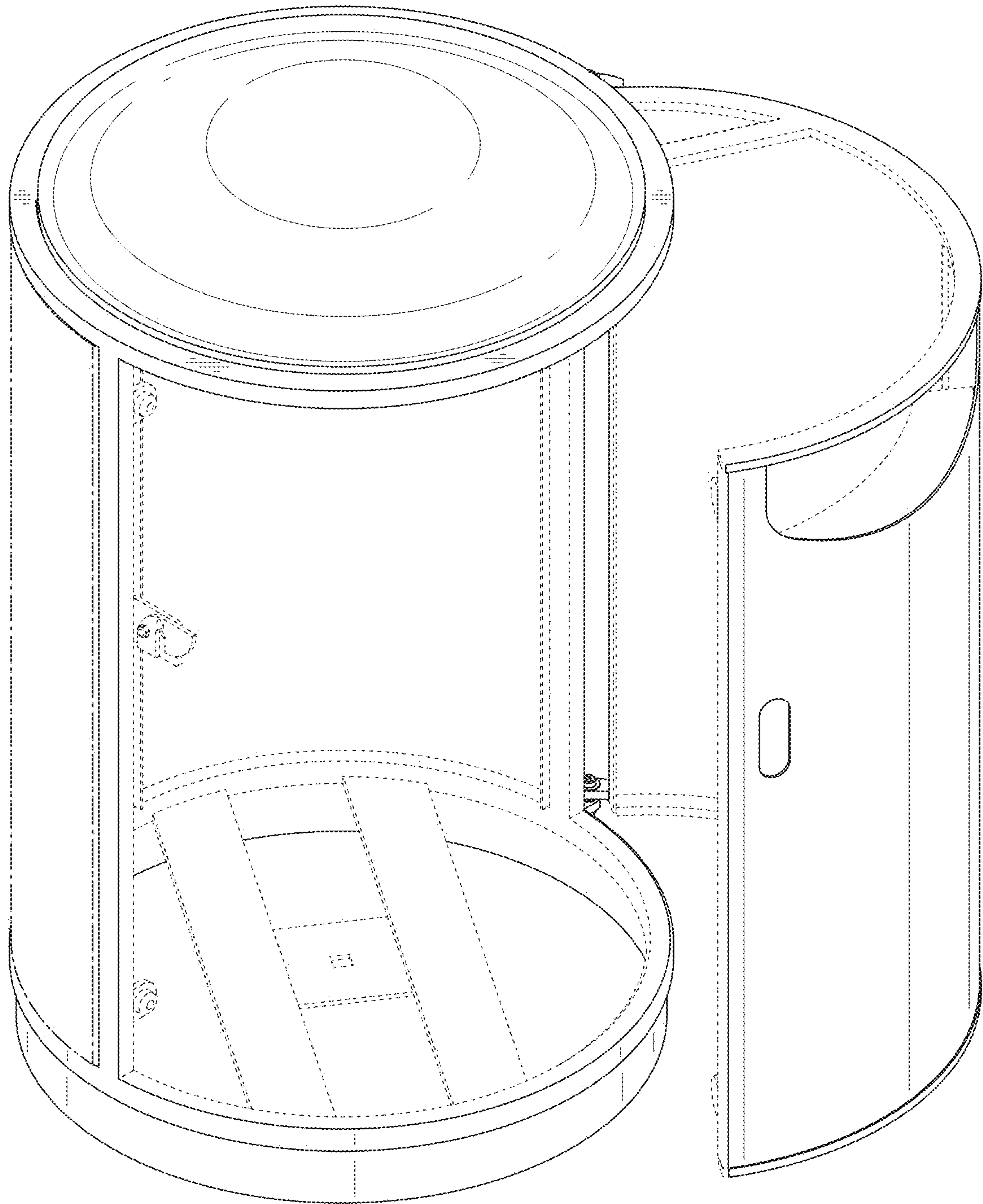


FIG. 9