



US00D904707S

(12) **United States Design Patent** (10) **Patent No.:** **US D904,707 S**
Dou et al. (45) **Date of Patent:** **** Dec. 8, 2020**

(54) **ELECTRIC FLOOR WIPER**

(71) Applicant: **Beijing Xiaomi Mobile Software Co., Ltd.**, Beijing (CN)

(72) Inventors: **Wenbo Dou**, Beijing (CN); **Ningning Li**, Beijing (CN); **Lei Zhang**, Beijing (CN); **Ying Shen**, Beijing (CN)

(73) Assignee: **Beijing Xiaomi Mobile Software Co., Ltd.**, Beijing (CN)

(**) Term: **15 Years**

(21) Appl. No.: **35/507,680**

(22) Filed: **May 7, 2019**

(80) **Hague Agreement Data**

Int. Filing Date: **May 7, 2019**

Int. Reg. No.: **DM/203615**

Int. Reg. Date: **May 7, 2019**

Int. Reg. Pub. Date: **Nov. 8, 2019**

(30) **Foreign Application Priority Data**

Nov. 8, 2018 (CN) 2018 3 0631730

(51) **LOC (12) Cl.** **07-05**

(52) **U.S. Cl.**
USPC **D32/45**

(58) **Field of Classification Search**
USPC D32/15, 40, 45, 50, 51, 52
CPC A47L 13/20; A47L 13/256; A47L 11/4086;
A47L 13/22; A47L 13/24; A47L 13/38;
A47L 5/28; A47L 9/106; A47L 11/28;
A47L 11/4011; A47L 11/4036; A47L
11/4069; A47L 11/4075; A47L 13/14;
A47L 13/16; A47L 13/17; A47L 13/225;
A47L 13/254; A47L 13/44; A47L
2201/04; A47L 5/16; A47L 5/225; A47L
5/24; A47L 9/00; A47L 9/02; A47L
9/0673; A47L 9/12; A47L 9/122; A47L
9/127; A47L 9/14; A47L 9/1608; A47L

9/1625; A47L 9/1641; A47L 9/1666;
A47L 9/1683; A47L 9/1691; A47L
9/2884; A47L 9/32; A47L 9/322; A47L
11/06; A47L 11/12; A47L 11/16; A47L
11/24; A47L 11/26; A47L 11/282; A47L
11/283; A47L 11/284; A47L 11/34; A47L
11/4002; A47L 11/4005; A47L 11/4038;
A47L 11/4047; A47L 11/405; A47L
11/4061; A47L 11/4088; A47L 13/12;
A47L 13/142; A47L 13/252; A47L
13/255; A47L 13/258; A47L 13/29; A47L
13/46; A47L 15/0076; A47L 15/4206;
A47L 15/4217; A47L 15/4291; A47L
1/08;

(Continued)

(56) **References Cited**

U.S. PATENT DOCUMENTS

D338,090 S * 8/1993 Kamiyama D32/45
D401,703 S * 11/1998 Beechuk D32/45

(Continued)

OTHER PUBLICATIONS

Indian Patent Office, Office Action Issued in Application No. 317524-001, dated Jun. 27, 2019, 12 pages.

Primary Examiner — Khawaja Anwar

(74) *Attorney, Agent, or Firm* — Syncoda LLC; Feng Ma

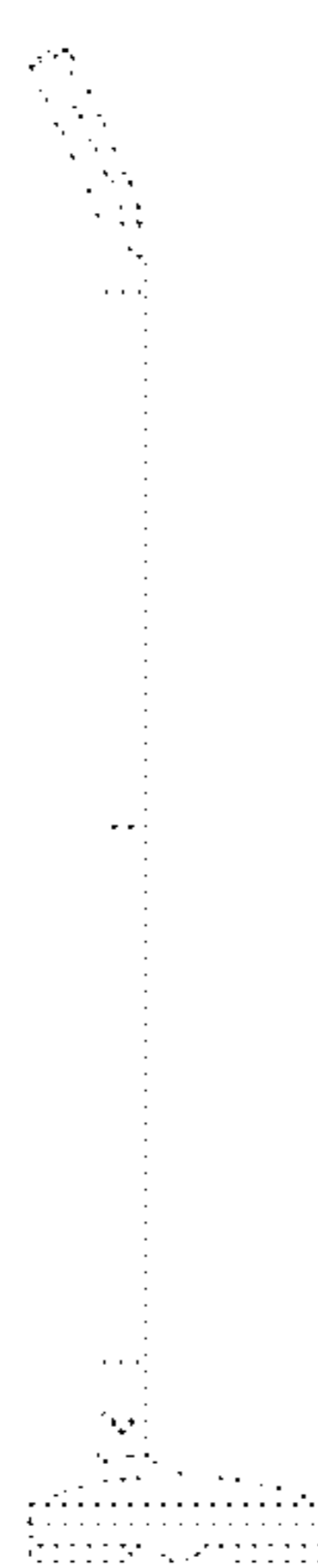
(57) **CLAIM**

The ornamental design for an electric floor wiper, as shown and described.

DESCRIPTION

- 1. Electric floor wiper
- 1.1 : Front
- 1.2 : Back
- 1.3 : Left
- 1.4 : Right
- 1.5 : Top

(Continued)



- 1.6 : Bottom
- 1.7 : Perspective
- 1.8 : use state view

1 Claim, 8 Drawing Sheets

(58) **Field of Classification Search**

CPC ... A47L 1/09; A47L 2501/01; A47L 2501/04;
A47L 2501/07; A47L 2601/17; A47L
5/22; A47L 5/30; A47L 5/362; A47L
7/0004; A47L 7/0009; A47L 7/0085;
A47L 7/0095; A47L 9/009; A47L 9/0411;
A47L 9/0477; A47L 9/165; A47L 9/22;
A47L 9/2826; A47L 9/2852; A47L
9/2857; A47L 9/2873; A47L 9/325

See application file for complete search history.

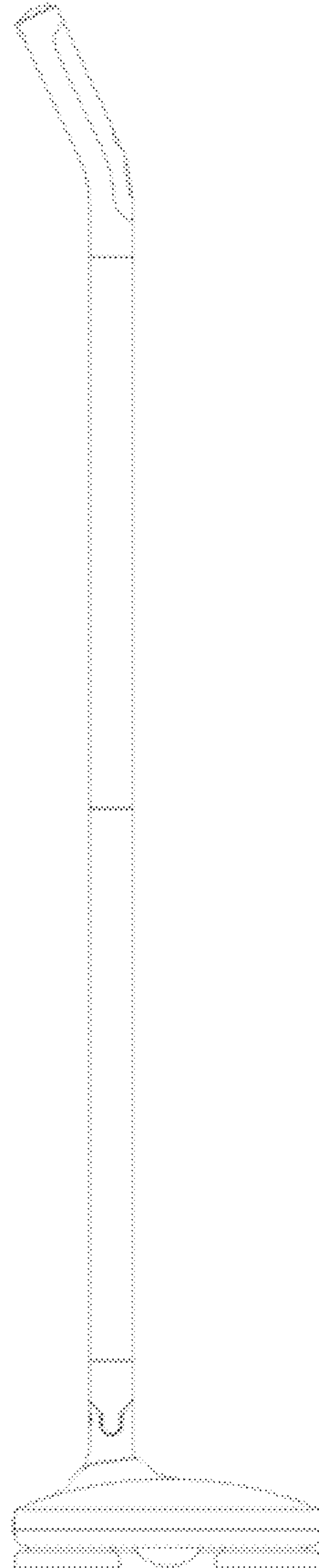
(56) **References Cited**

U.S. PATENT DOCUMENTS

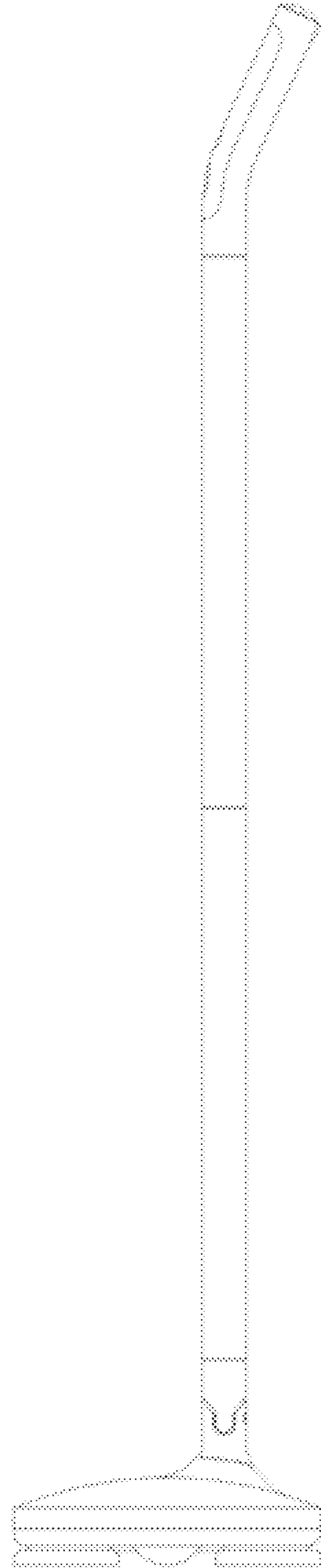
D486,616 S *	2/2004	Hall	D32/45
D505,762 S *	5/2005	Lalanne	D32/45
D507,088 S *	7/2005	Chi-Hsiang	D32/45
D544,160 S *	6/2007	Thomas	D32/42
D703,407 S *	4/2014	Xiong	D32/45
D828,667 S *	9/2018	Xiaobing	D32/45
D866,894 S *	11/2019	McDonnell	D32/45
D866,895 S *	11/2019	McDonnell	D32/45

* cited by examiner

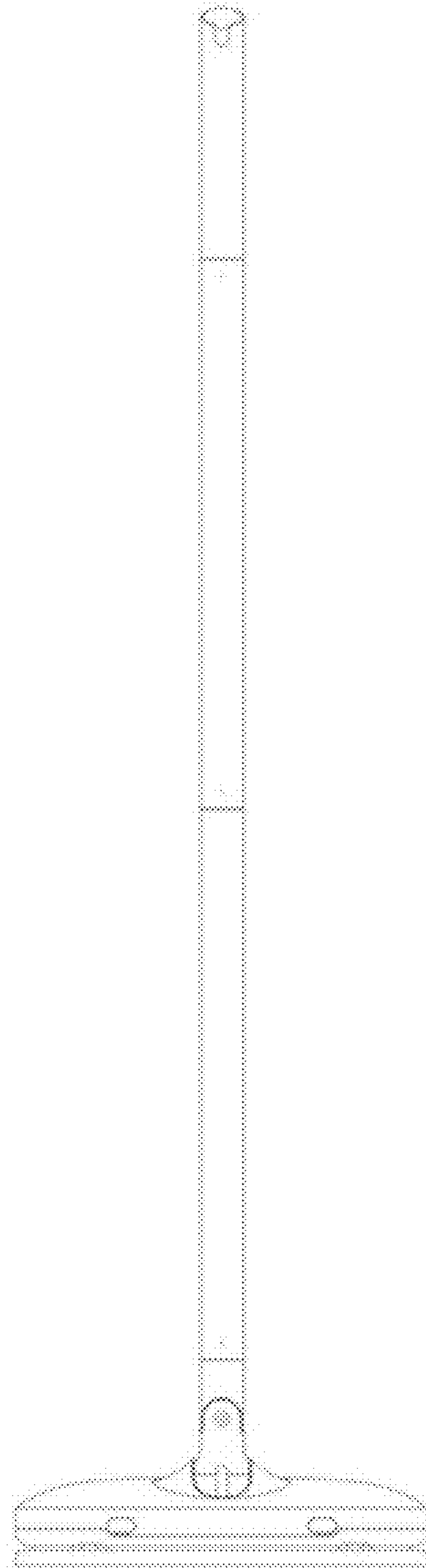
1.1



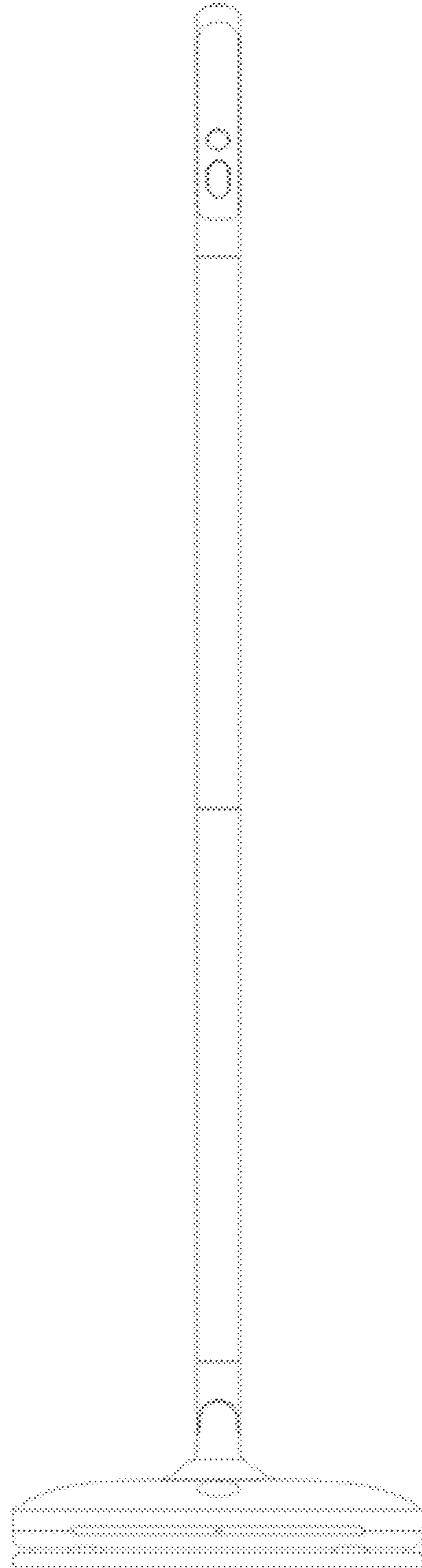
1.2



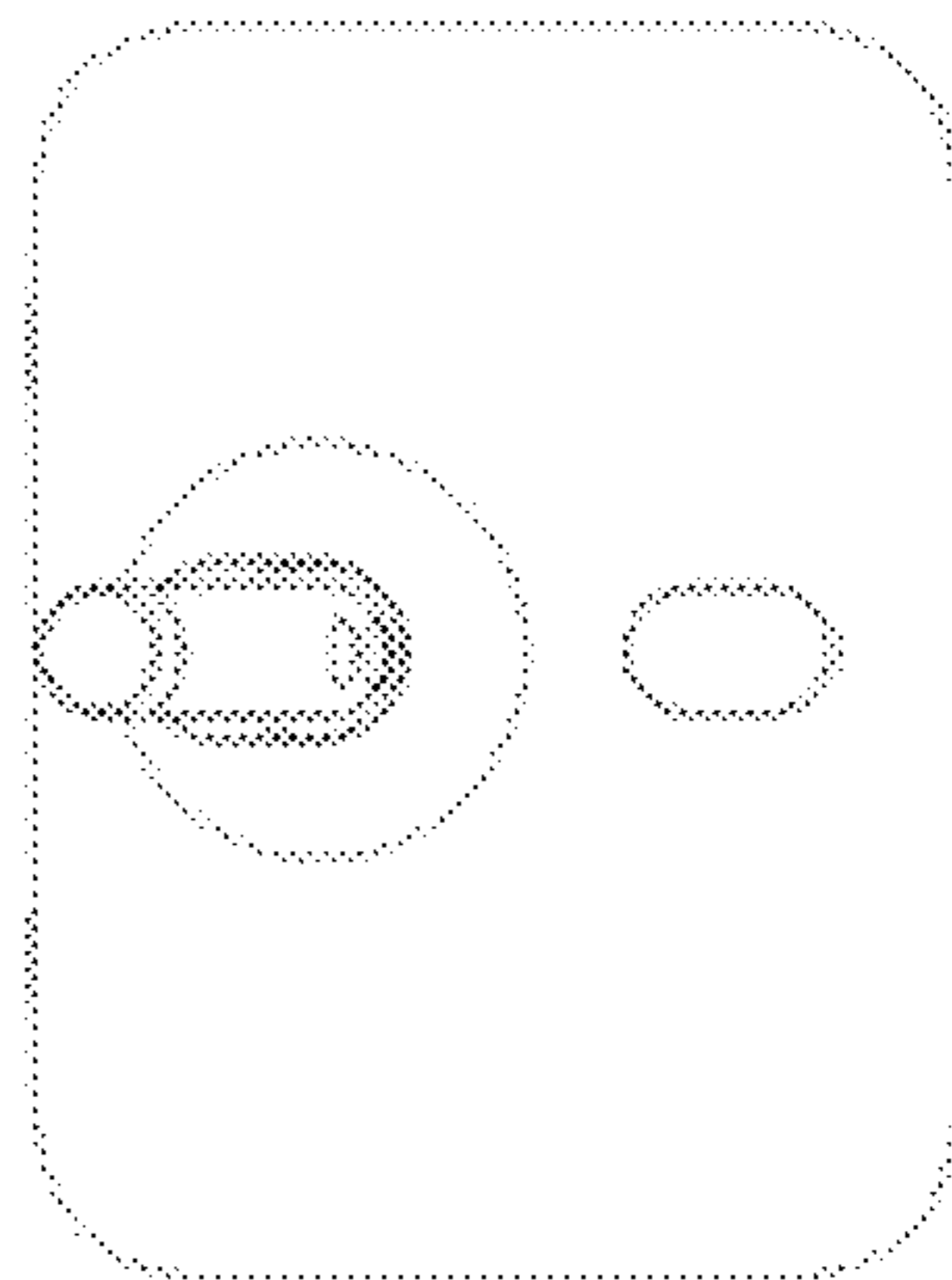
1.3



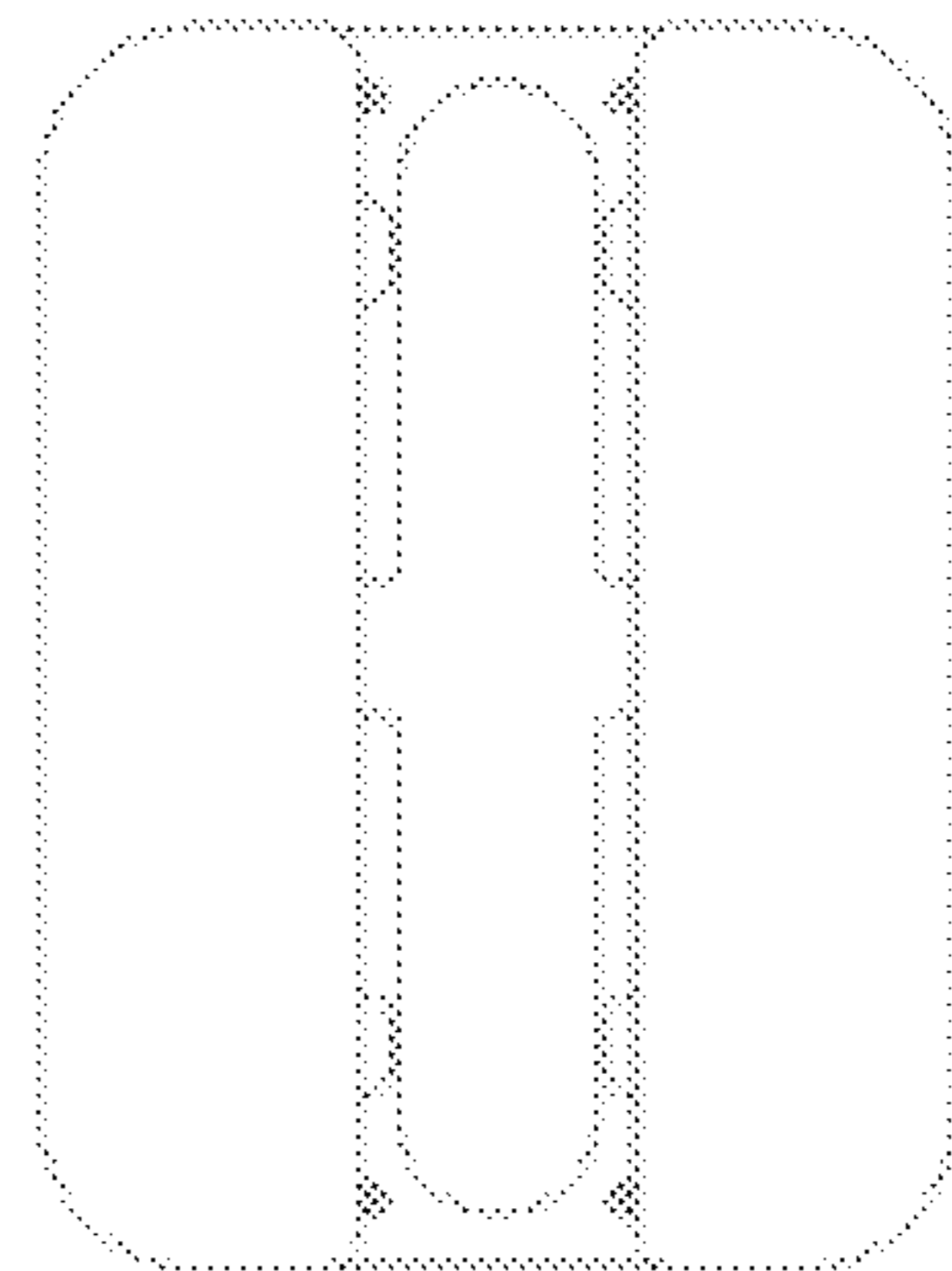
1.4



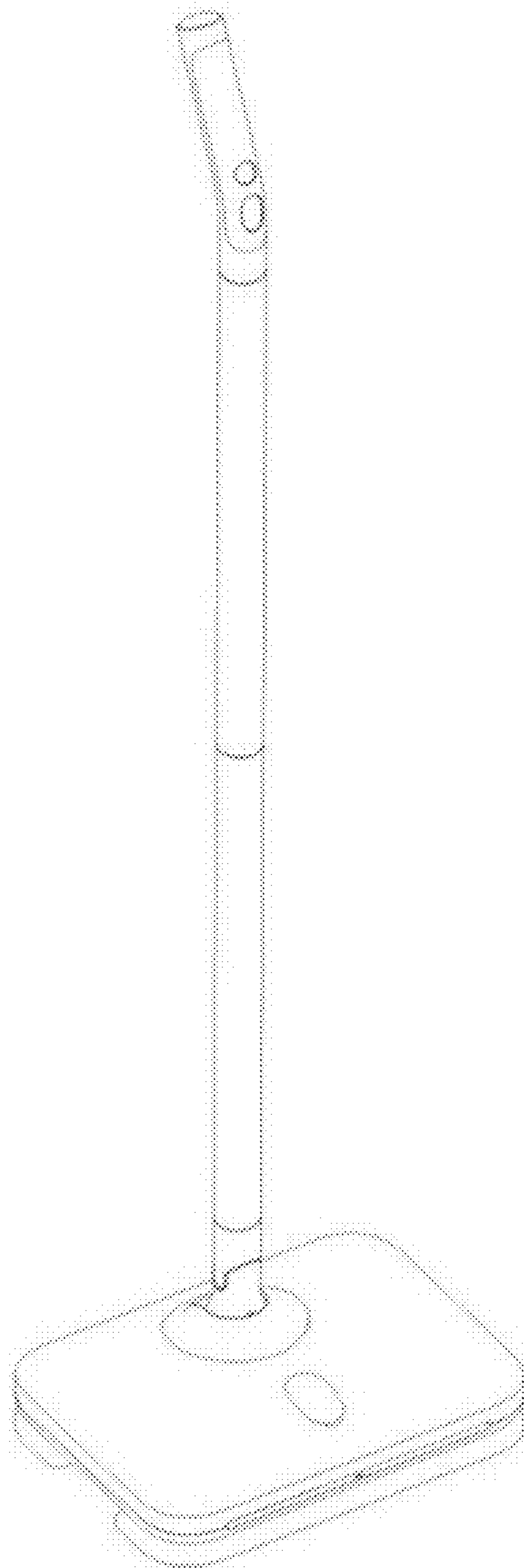
1.5



1.6



1.7



1.8

