



US00D904706S

(12) **United States Design Patent** (10) **Patent No.:** **US D904,706 S**
Simonetti (45) **Date of Patent:** **** Dec. 8, 2020**

(54) **BASKET**

(71) Applicant: **PLAST-MECCANICA SOCIETA' PER AZIONI**, Castelbellino (IT)

(72) Inventor: **Lorenzo Simonetti**, Jesi (IT)

(**) Term: **15 Years**

(21) Appl. No.: **29/678,830**

(22) Filed: **Jan. 31, 2019**

(51) **LOC (12) Cl.** **09-04**

(52) **U.S. Cl.**

USPC **D32/37; D3/307**

(58) **Field of Classification Search**

USPC D32/1, 14.1, 30, 35-37, 47, 58-59

CPC .. A61L 2/10; A47L 25/00; A47L 23/20; B01J

19/08; G01N 21/00; G01J 3/10; D06F

58/04

See application file for complete search history.

(56) **References Cited**

U.S. PATENT DOCUMENTS

D199,096 S *	9/1964	Barnet et al.	D32/37
D264,040 S *	4/1982	Kunze	D32/37
D277,993 S *	3/1985	Sinchok	D3/309
D302,069 S *	7/1989	Yoshikawa	D3/312
D343,711 S *	1/1994	Craft	D32/37
D348,128 S *	6/1994	Craft	D32/37
D351,266 S *	10/1994	Licari	D32/37
D372,568 S *	8/1996	Lippisch	D32/37
D372,583 S *	8/1996	Brightbill	D3/312
D466,301 S *	12/2002	Sofy	D3/307
D477,145 S *	7/2003	Sofy	D3/307
D643,585 S *	8/2011	Duvigneau	D32/37
D690,891 S *	10/2013	Barre	D32/37
D728,939 S *	5/2015	Suomela	D3/304
D775,830 S *	1/2017	Duvigneau	D3/304
D831,920 S *	10/2018	Duvigneau	D32/37
D865,364 S *	11/2019	Brunner	D3/304
D874,770 S *	2/2020	Sanchez-Vizcaino	D32/37

D878,051 S *	3/2020	Kraemer	D3/307
2001/0027977 A1 *	10/2001	Hall	D06F 95/002
			220/523
2005/0011900 A1 *	1/2005	DeRosa	D06F 95/002
			220/676
2005/0189360 A1 *	9/2005	Loucks	D06F 95/002
			220/676

FOREIGN PATENT DOCUMENTS

WO WO D084484-001 * 10/2014

OTHER PUBLICATIONS

“Laundry a Never Ending Cycle” Laundry Basket | Bed Bath & Beyond, reviews 2017, site visited Mar. 28, 2020, [https://www.bedbathandbeyond.com/store/product/laundry-a-never-ending-cycle-laundry- . . . *](https://www.bedbathandbeyond.com/store/product/laundry-a-never-ending-cycle-laundry-...)

* cited by examiner

Primary Examiner — John R Yeh

(74) *Attorney, Agent, or Firm* — Egbert Law Offices, PLLC

(57) **CLAIM**

The ornamental design for a basket, as shown and described.

DESCRIPTION

FIG. 1 is a perspective view for a basket showing my new design.

FIG. 2 is a front view thereof;

FIG. 3 is a rear view thereof;

FIG. 4 is a side view thereof;

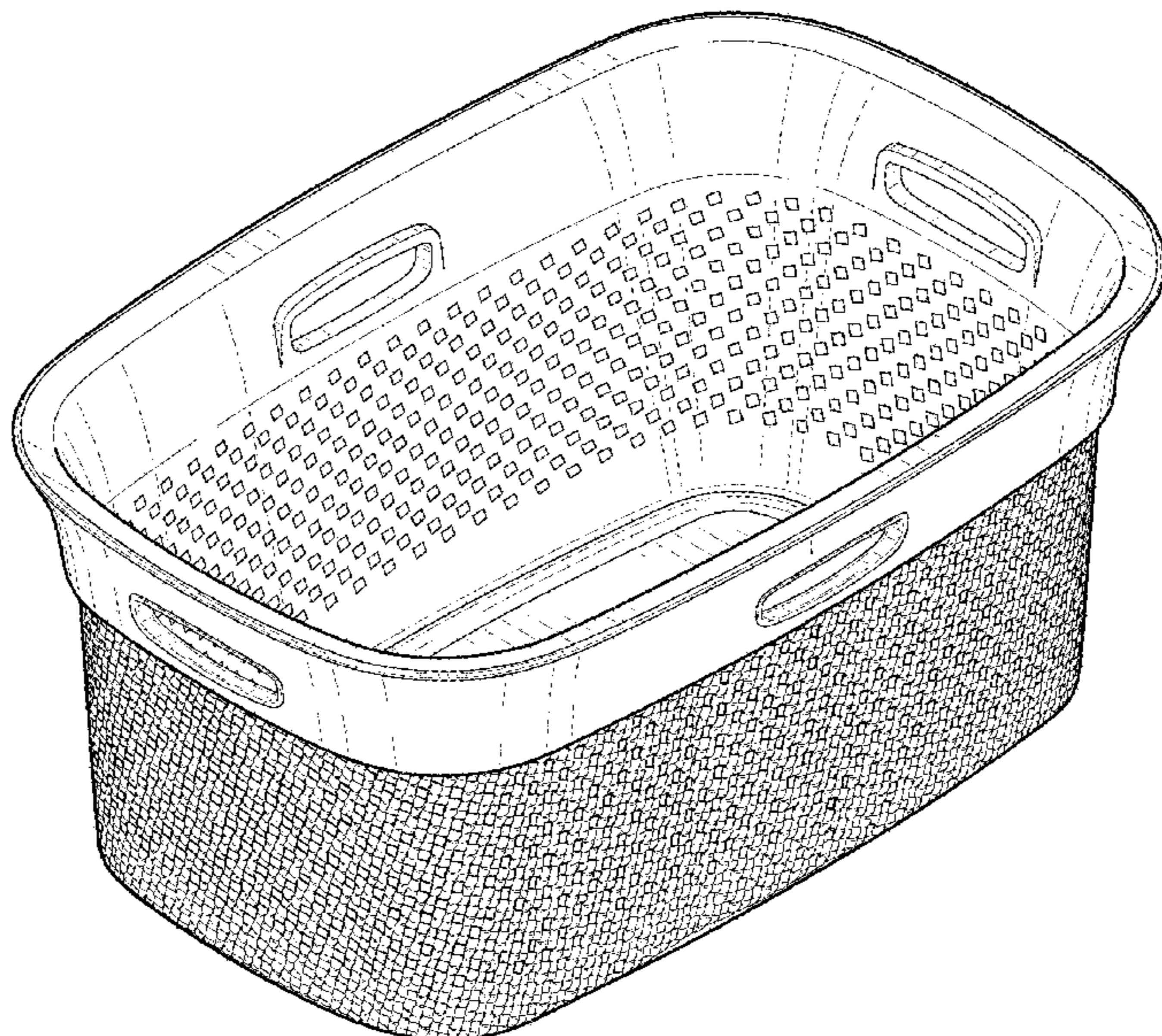
FIG. 5 is an opposite side view thereof;

FIG. 6 is a top view thereof; and,

FIG. 7 is a bottom view thereof.

The broken lines depict portions of the basket that form no part of the claimed design.

1 Claim, 6 Drawing Sheets



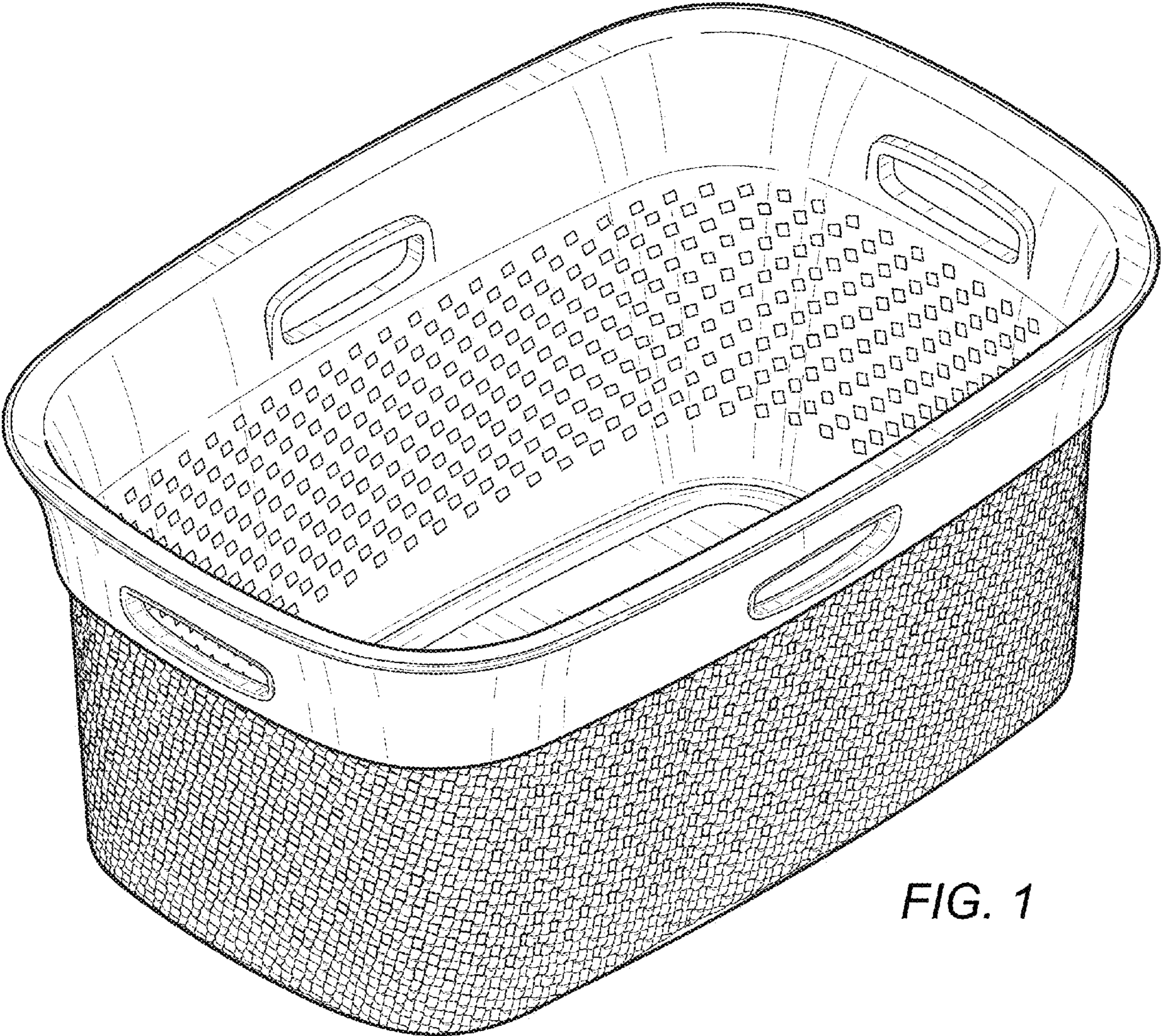


FIG. 1

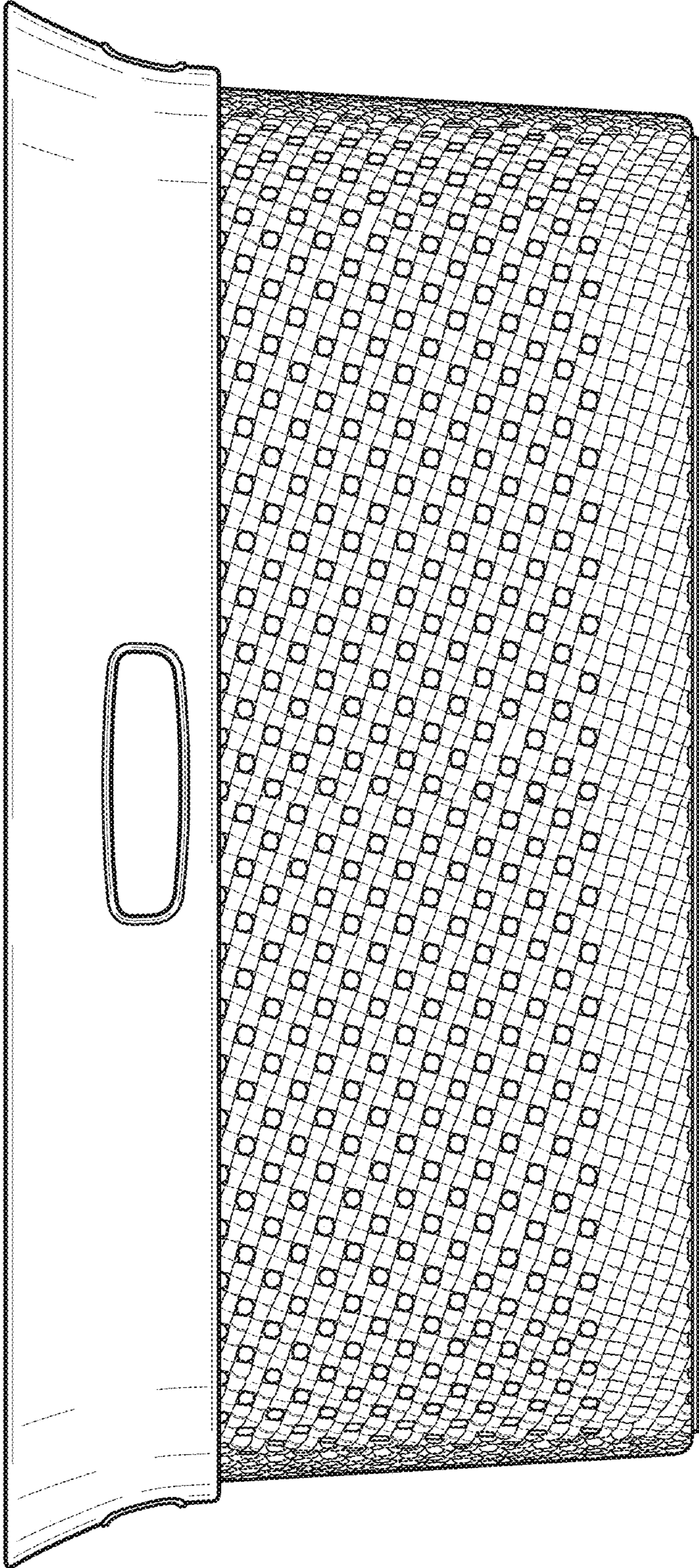


FIG. 2

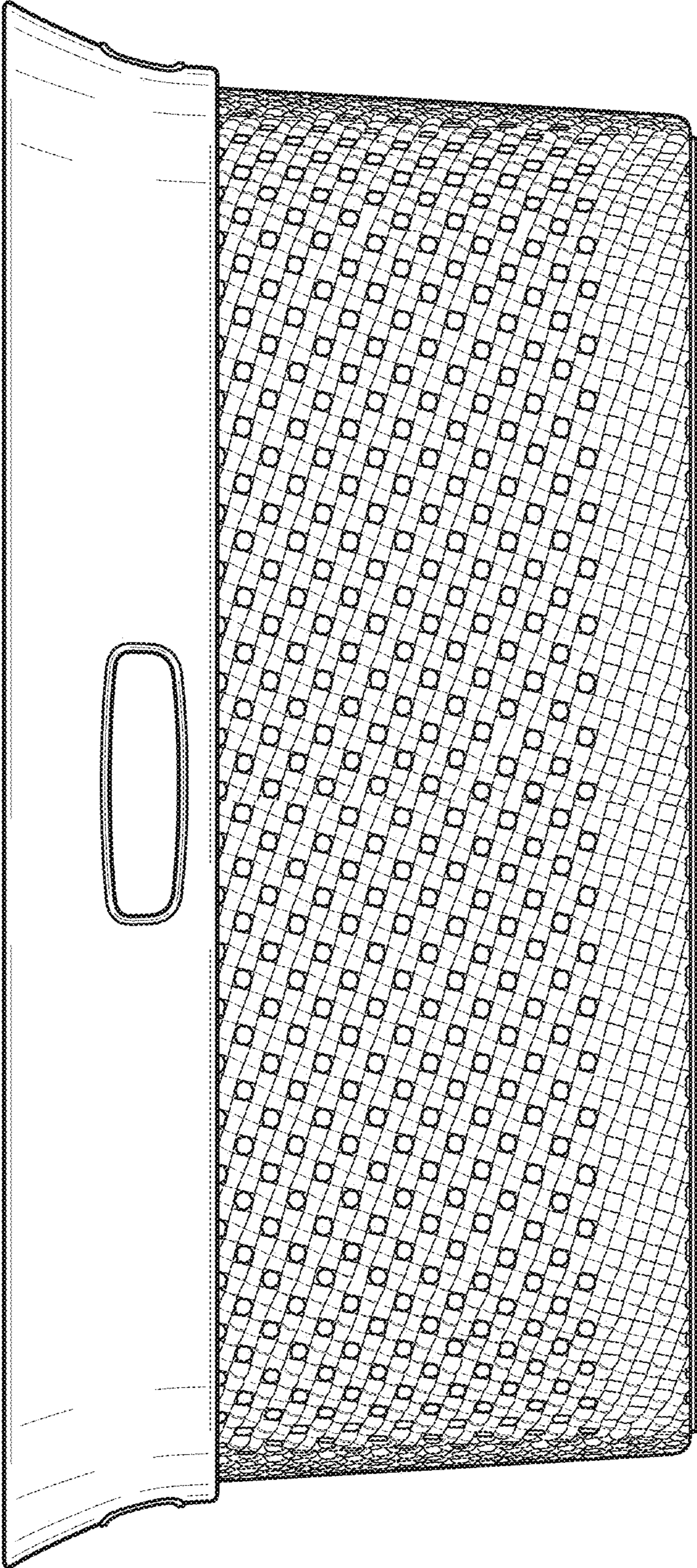


FIG. 3

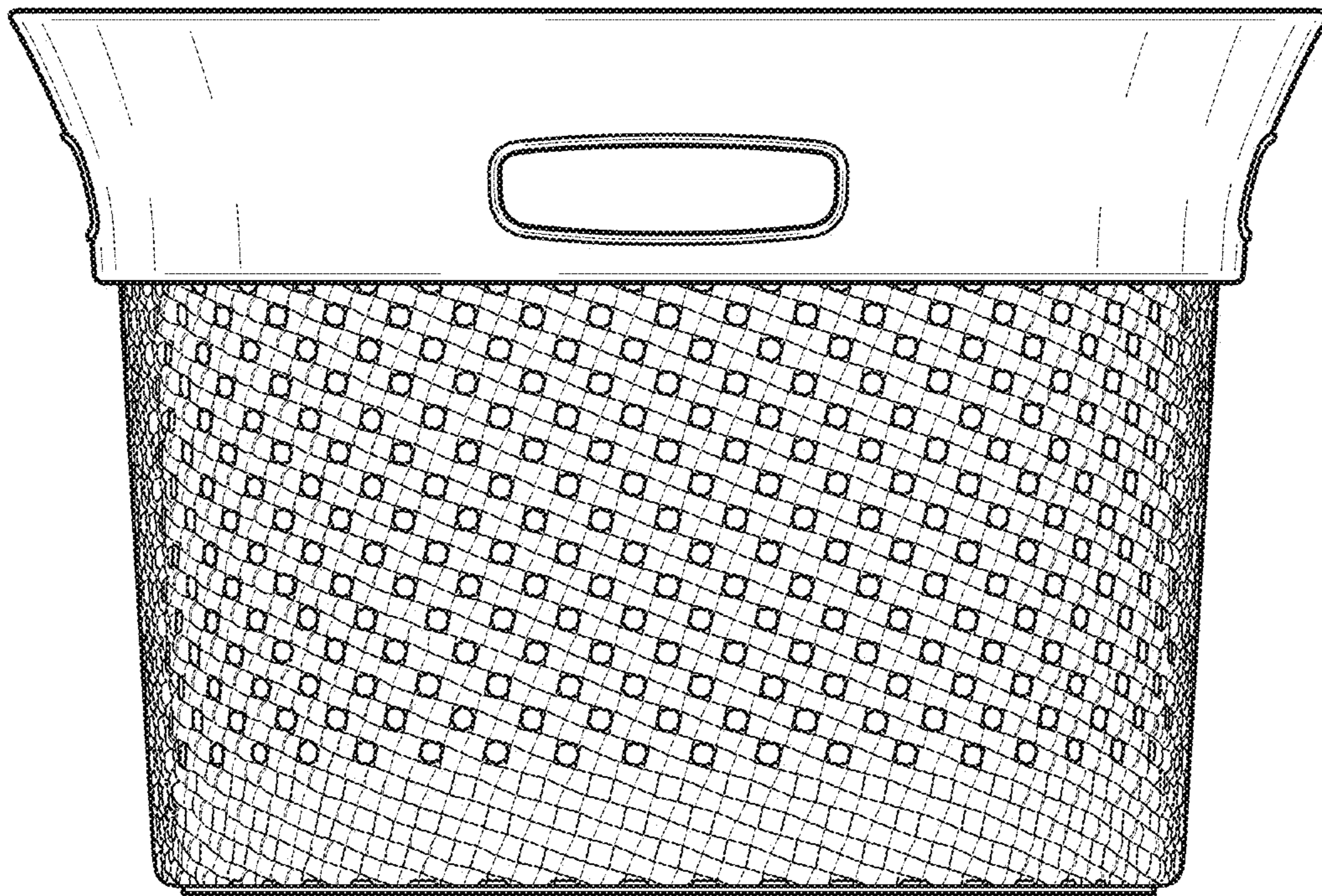


FIG. 4

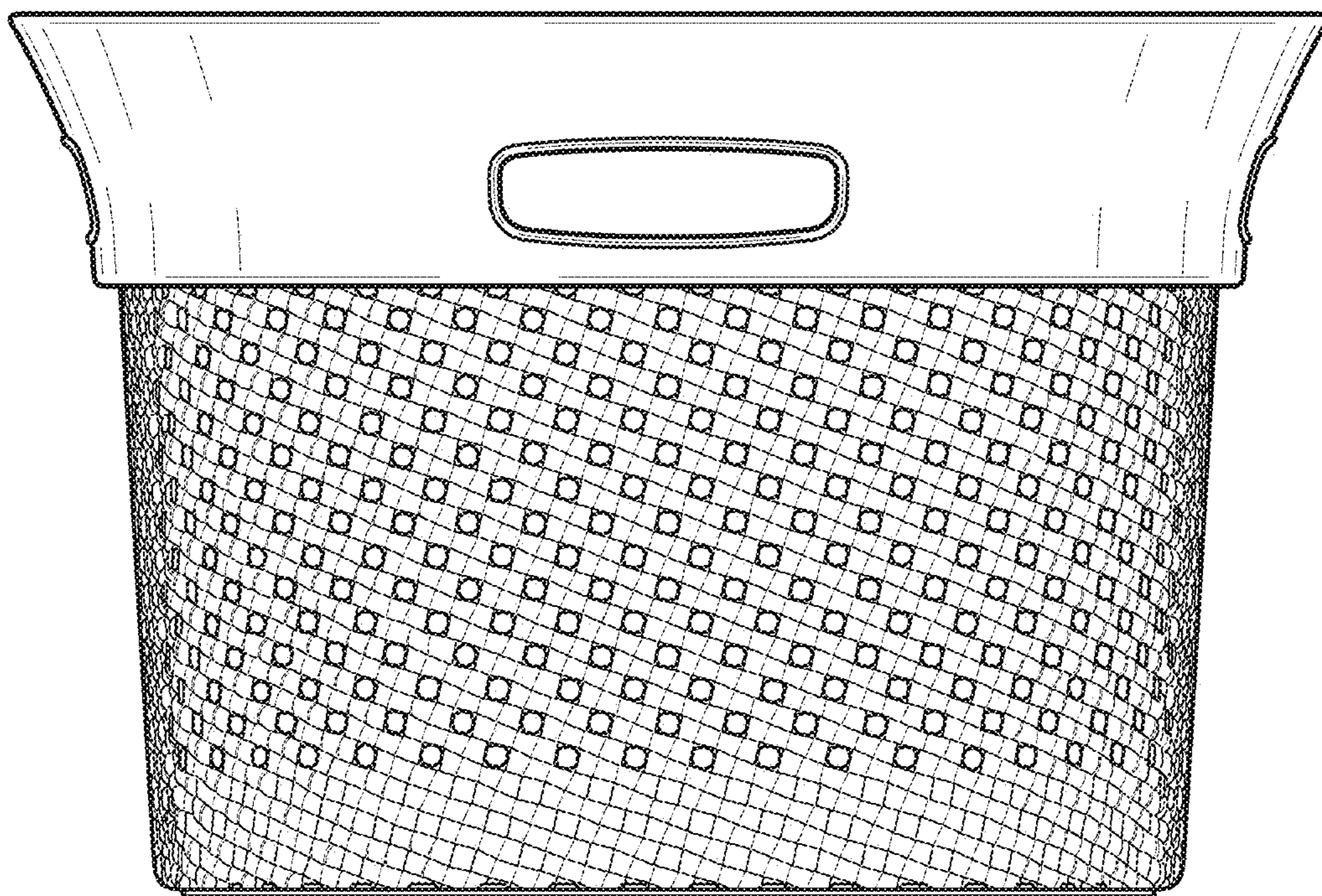


FIG. 5

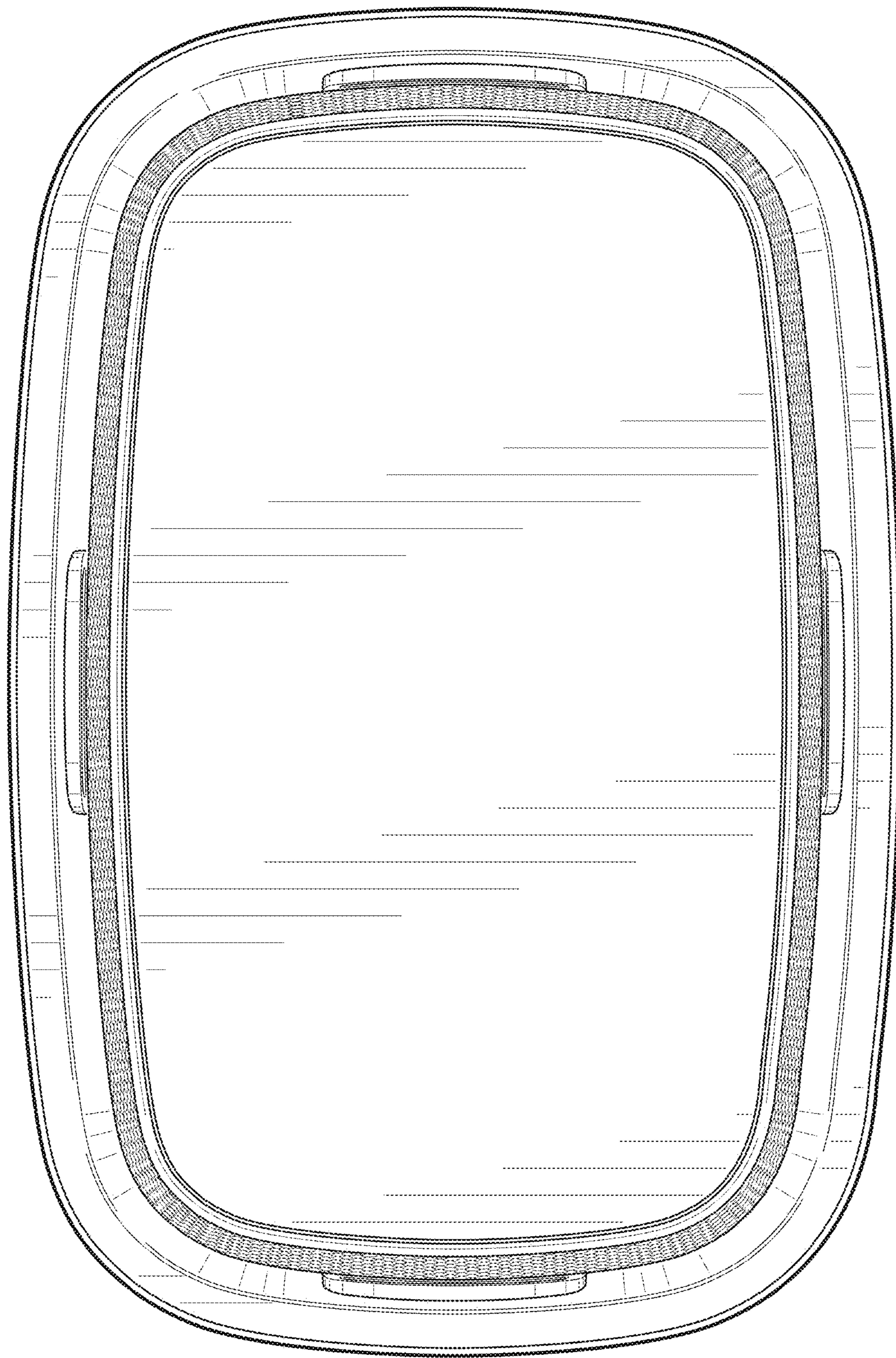


FIG. 6

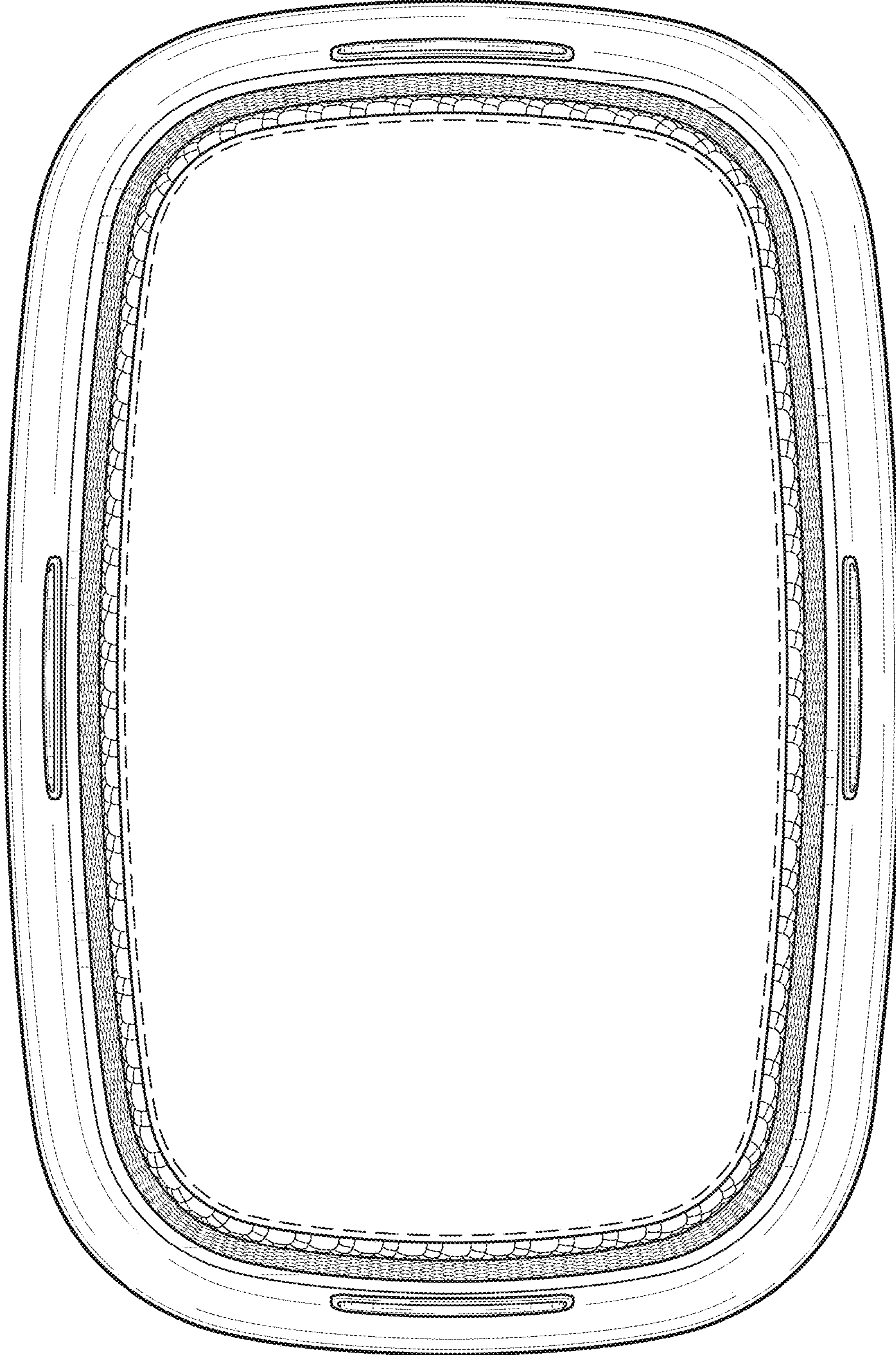


FIG. 7