



US00D904704S

(12) **United States Design Patent**  
**Buckley et al.**

(10) **Patent No.:** **US D904,704 S**

(45) **Date of Patent:** **\*\* Dec. 8, 2020**

(54) **HARD SURFACE CLEANING DEVICE**

(71) Applicant: **Unger Marketing International, LLC**,  
Bridgeport, CT (US)

(72) Inventors: **James M. Buckley**, New Hartford, CT  
(US); **Joseph K. Patterson**, Monroe,  
CT (US)

(73) Assignee: **UNGER MARKETING  
INTERNATIONAL, LLC**, Bridgeport,  
CT (US)

(\*\*) Term: **15 Years**

(21) Appl. No.: **29/640,426**

(22) Filed: **Mar. 14, 2018**

(51) **LOC (12) Cl.** ..... **15-05**

(52) **U.S. Cl.**  
USPC ..... **D32/15; D32/45**

(58) **Field of Classification Search**  
USPC ... D32/40-43, 45-46, 50-52, 15, 17-18, 22,  
D32/25, 69-72; D9/527-528, 685;  
D4/116-118; D19/163, 117, 184  
CPC ..... A61B 90/80; A47L 25/00; A47L 5/24-26  
See application file for complete search history.

(56) **References Cited**

**U.S. PATENT DOCUMENTS**

2,104,161 A 12/1934 Koukal  
D174,593 S \* 4/1955 Pickard et al. .... D32/69  
3,872,539 A \* 3/1975 Doyel ..... A47L 5/26  
15/344  
D287,892 S \* 1/1987 Rosa ..... D32/17  
4,776,716 A 10/1988 Huang

(Continued)

**FOREIGN PATENT DOCUMENTS**

CA 2730814 8/2011  
CA 2893297 6/2014  
CN 302812800 \* 5/2014

**OTHER PUBLICATIONS**

Amazon.com: Unger CleanXpress 3-in-1 Multi-Surface Cleaning  
Tool, reviews 2018, [https://www.amazon.com/Unger-CleanXpress-  
Multi-Surface-Cleaning-Tool/dp/B07G5H162H/ref=cm\\_cr\\_arp\\_d\\_  
product\\_top?ie=UTF8](https://www.amazon.com/Unger-CleanXpress-Multi-Surface-Cleaning-Tool/dp/B07G5H162H/ref=cm_cr_arp_d_product_top?ie=UTF8), site visited Aug. 30, 2019.\*

(Continued)

*Primary Examiner* — John R Yeh

(74) *Attorney, Agent, or Firm* — Cantor Colburn LLP

(57) **CLAIM**

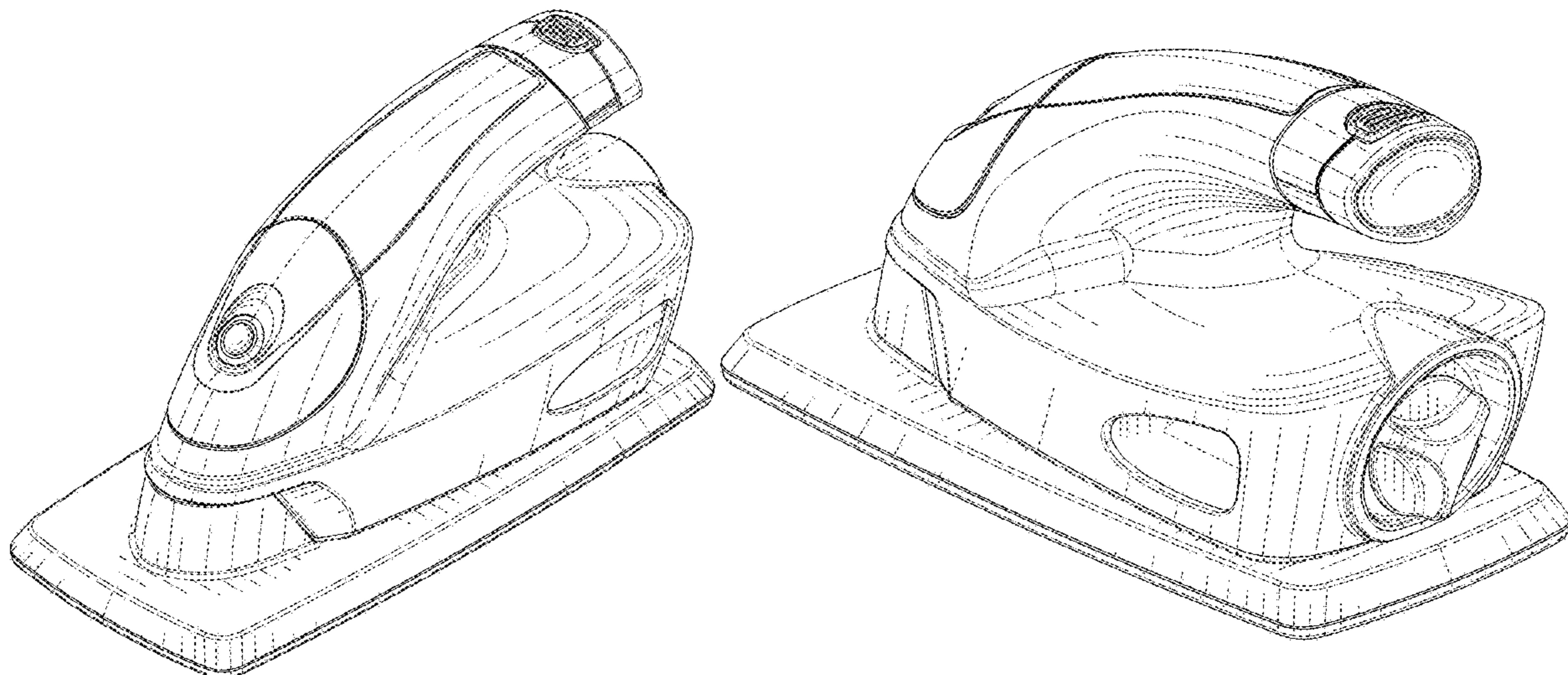
We claim the ornamental design for a hard surface cleaning  
device, as shown and described.

**DESCRIPTION**

FIG. 1 is a front, top perspective view of a hard surface  
cleaning device according to the present disclosure;  
FIG. 2 is a rear, top perspective view thereof;  
FIG. 3 is a first side view thereof;  
FIG. 4 is a second, opposite side view thereof;  
FIG. 5 is a front view thereof;  
FIG. 6 is a rear view thereof;  
FIG. 7 is a top view thereof;  
FIG. 8 is a bottom view thereof;  
FIG. 9 is a front, top perspective view of an alternate  
embodiment of a hard surface cleaning device according to  
the present disclosure;  
FIG. 10 is a rear, top perspective view thereof;  
FIG. 11 is a first side view thereof;  
FIG. 12 is a second, opposite side view thereof;  
FIG. 13 is a front view thereof;  
FIG. 14 is a rear view thereof;  
FIG. 15 is a top view thereof; and,  
FIG. 16 is a bottom view thereof.

The broken lines in the figures depict portions of the hard  
surface cleaning device that form no part of the claimed  
design.

**1 Claim, 16 Drawing Sheets**



(56)

References Cited

U.S. PATENT DOCUMENTS

D300,576 S \* 4/1989 Cartabbia ..... D32/72  
 4,863,299 A 9/1989 Osberghaus et al.  
 D306,657 S \* 3/1990 Fushiya ..... D32/17  
 D313,831 S \* 1/1991 Gildersleeve ..... D32/18  
 D340,330 S \* 10/1993 Seguljic ..... D32/70  
 5,271,682 A 12/1993 Realdon  
 D371,878 S \* 7/1996 Muller ..... D32/69  
 D391,770 S \* 3/1998 Newman, Jr. .... D32/52  
 5,735,620 A 4/1998 Ford  
 5,888,006 A 3/1999 Ping et al.  
 D423,743 S \* 4/2000 Dawson ..... D32/40  
 6,142,750 A 11/2000 Benecke  
 D437,095 S \* 1/2001 Osiecki ..... D32/40  
 D460,844 S \* 7/2002 Kagawa ..... D32/52  
 D466,260 S \* 11/2002 Wu ..... D32/69  
 6,497,525 B1 12/2002 Huang  
 6,540,424 B1 4/2003 Hall et al.  
 6,551,001 B2 4/2003 Aberegg et al.  
 6,579,023 B2 6/2003 Kunkler et al.  
 6,612,768 B2 9/2003 Zorzo  
 D480,845 S \* 10/2003 Ki ..... D32/18  
 6,655,866 B1 12/2003 Morad et al.  
 6,659,670 B1 12/2003 Blouse  
 6,663,306 B2 12/2003 Policicchio et al.  
 6,669,391 B2 12/2003 Policicchio et al.  
 6,722,806 B2 4/2004 Kunkler et al.  
 6,726,388 B1 4/2004 Monahan  
 6,854,911 B2 2/2005 Policicchio et al.  
 6,854,912 B2 2/2005 Dyer et al.  
 6,893,180 B2 5/2005 Hall et al.  
 6,899,485 B2 5/2005 Hall et al.  
 6,953,299 B2 10/2005 Wang et al.  
 6,960,042 B1 11/2005 Hsiao  
 6,964,535 B2 11/2005 Bell et al.  
 6,981,533 B2 1/2006 Zorzo  
 6,986,618 B2 1/2006 Hall et al.  
 6,986,619 B2 1/2006 Hall et al.  
 7,004,658 B2 2/2006 Hall et al.  
 7,048,458 B2 5/2006 Hall et al.  
 7,048,804 B2 5/2006 Kisela et al.  
 7,056,050 B2 6/2006 Sacks  
 7,159,275 B2 1/2007 Chang  
 7,160,044 B2 1/2007 Dyer et al.  
 7,163,349 B2 1/2007 Policicchio et al.  
 7,172,099 B2 2/2007 Hofte et al.  
 7,191,486 B1 3/2007 Michelson et al.  
 D544,213 S \* 6/2007 Dow ..... D32/52  
 D547,954 S \* 8/2007 Thurin ..... D32/52  
 D578,720 S \* 10/2008 Norcorn ..... D32/52  
 7,431,524 B2 10/2008 Sacks  
 7,530,136 B1 5/2009 Ball  
 7,618,206 B2 11/2009 Sacks  
 7,699,551 B2 4/2010 Suda et al.  
 7,708,485 B2 5/2010 Tanaka et al.  
 7,722,273 B2 5/2010 Tanaka et al.  
 D620,215 S \* 7/2010 Peng ..... D32/52

7,850,384 B2 12/2010 Sacks  
 8,069,520 B2 12/2011 Mattucci et al.  
 8,079,770 B2 12/2011 Widmer et al.  
 8,096,723 B2 1/2012 Bae  
 8,109,685 B1 2/2012 Vito  
 8,186,898 B2 5/2012 Bradbury et al.  
 8,205,293 B2 6/2012 Rosenzweig et al.  
 8,241,427 B1 8/2012 Crawford et al.  
 8,267,607 B2 9/2012 Harris  
 8,425,137 B1 4/2013 Sampaio  
 8,449,212 B2 5/2013 Crawford et al.  
 8,596,896 B2 12/2013 Kimura  
 8,641,309 B2 2/2014 Perry et al.  
 8,662,778 B2 3/2014 Crawford et al.  
 8,667,637 B2 3/2014 Vrdoljak et al.  
 D707,007 S \* 6/2014 Smith ..... D32/70  
 8,807,858 B2 8/2014 Fitzpatrick et al.  
 8,834,053 B2 9/2014 Van Landingham, Jr. et al.  
 8,844,088 B2 9/2014 Garcia Castillo  
 8,894,315 B2 11/2014 Dingert et al.  
 8,926,210 B2 1/2015 Orubor  
 8,927,480 B2 1/2015 Williams et al.  
 9,044,132 B2 6/2015 Kaminer et al.  
 D843,674 S \* 3/2019 Buckley ..... D32/70  
 D855,909 S \* 8/2019 Ma ..... D32/18  
 2003/0103795 A1 6/2003 Hollars et al.  
 2003/0106180 A1\* 6/2003 Tsen ..... A47L 5/24  
 15/321  
 2003/0126710 A1 7/2003 Policicchio et al.  
 2004/0146333 A1 7/2004 Fu  
 2004/0223803 A1 11/2004 Fahy et al.  
 2005/0031404 A1 2/2005 Tsai et al.  
 2005/0089360 A1 4/2005 Garabedian, Jr. et al.  
 2005/0191116 A1 9/2005 Flanery et al.  
 2006/0039743 A1 2/2006 Mensink et al.  
 2006/0110207 A1 5/2006 Augustinus Hofte et al.  
 2006/0137132 A1\* 6/2006 Orubor ..... A47L 5/24  
 15/344  
 2006/0213017 A1 9/2006 Bele et al.  
 2007/0140774 A1 6/2007 Dyer et al.  
 2007/0231046 A1 10/2007 Whiffen et al.  
 2008/0038045 A1 2/2008 Hofte et al.  
 2008/0066242 A1 3/2008 Aiyar  
 2008/0205972 A1 8/2008 LaFlamme et al.  
 2011/0158740 A1 6/2011 Kandasamy et al.  
 2012/0227763 A1 9/2012 Hayes et al.  
 2013/0263396 A1 10/2013 Crawford et al.  
 2013/0263398 A1 10/2013 Irwin et al.  
 2014/0317868 A1 10/2014 Fitzpatrick et al.  
 2015/0082570 A1 3/2015 Davidshofer et al.  
 2015/0089757 A1 4/2015 Davidshofer et al.  
 2015/0101140 A1 4/2015 Pierce

OTHER PUBLICATIONS

HooverTwinTank\_2011\_Manual, 13 pages.

\* cited by examiner

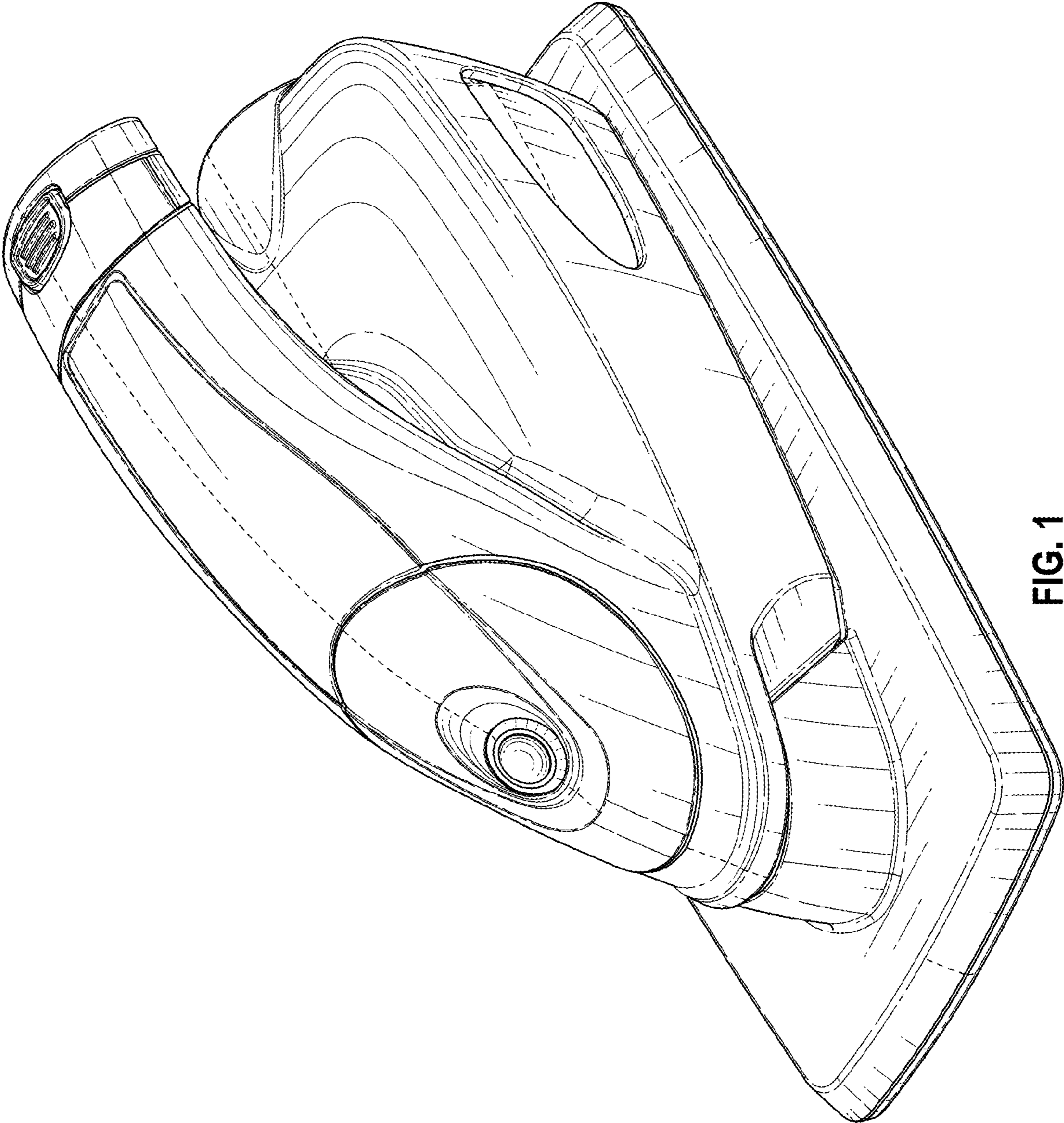


FIG. 1

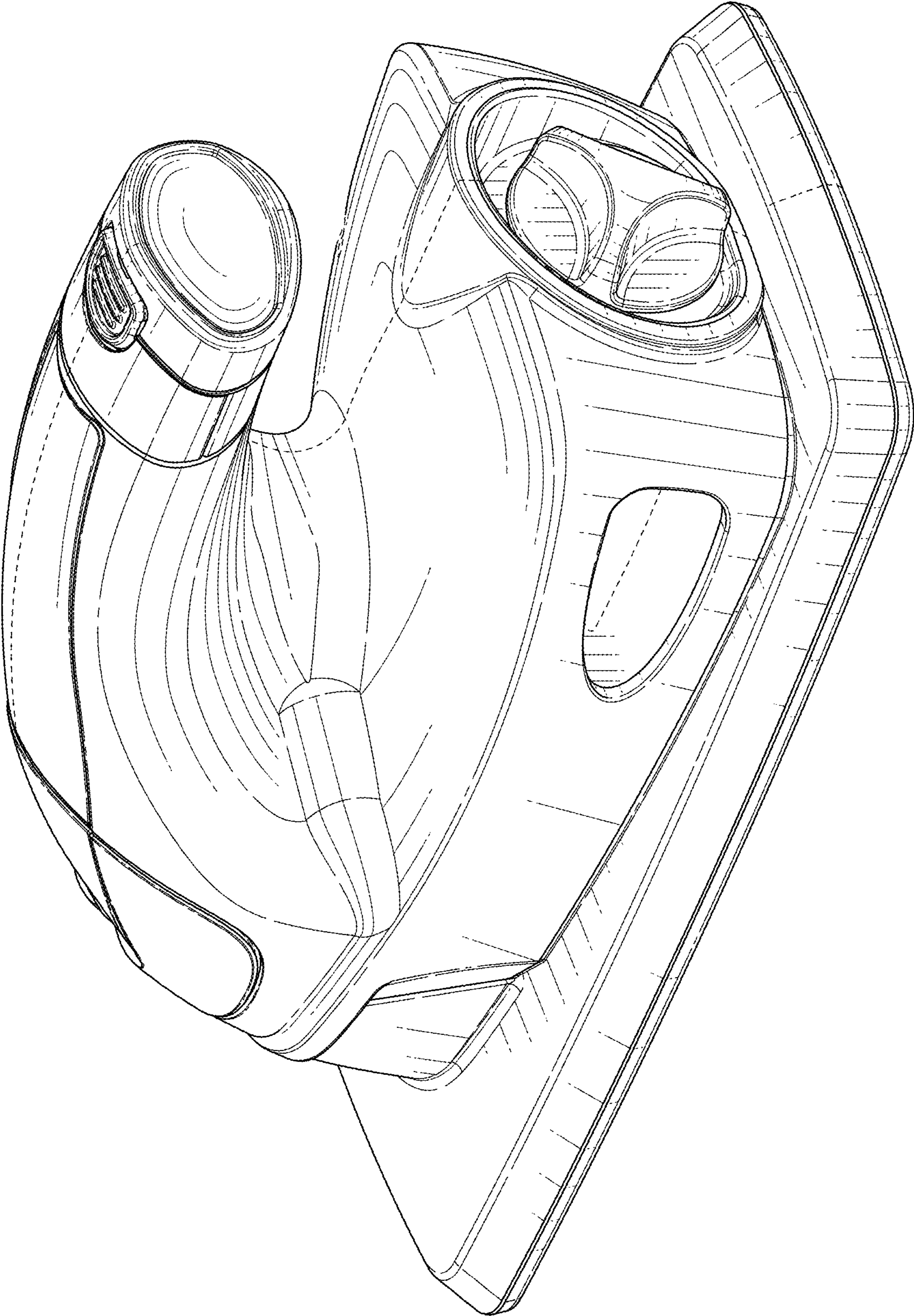


FIG. 2

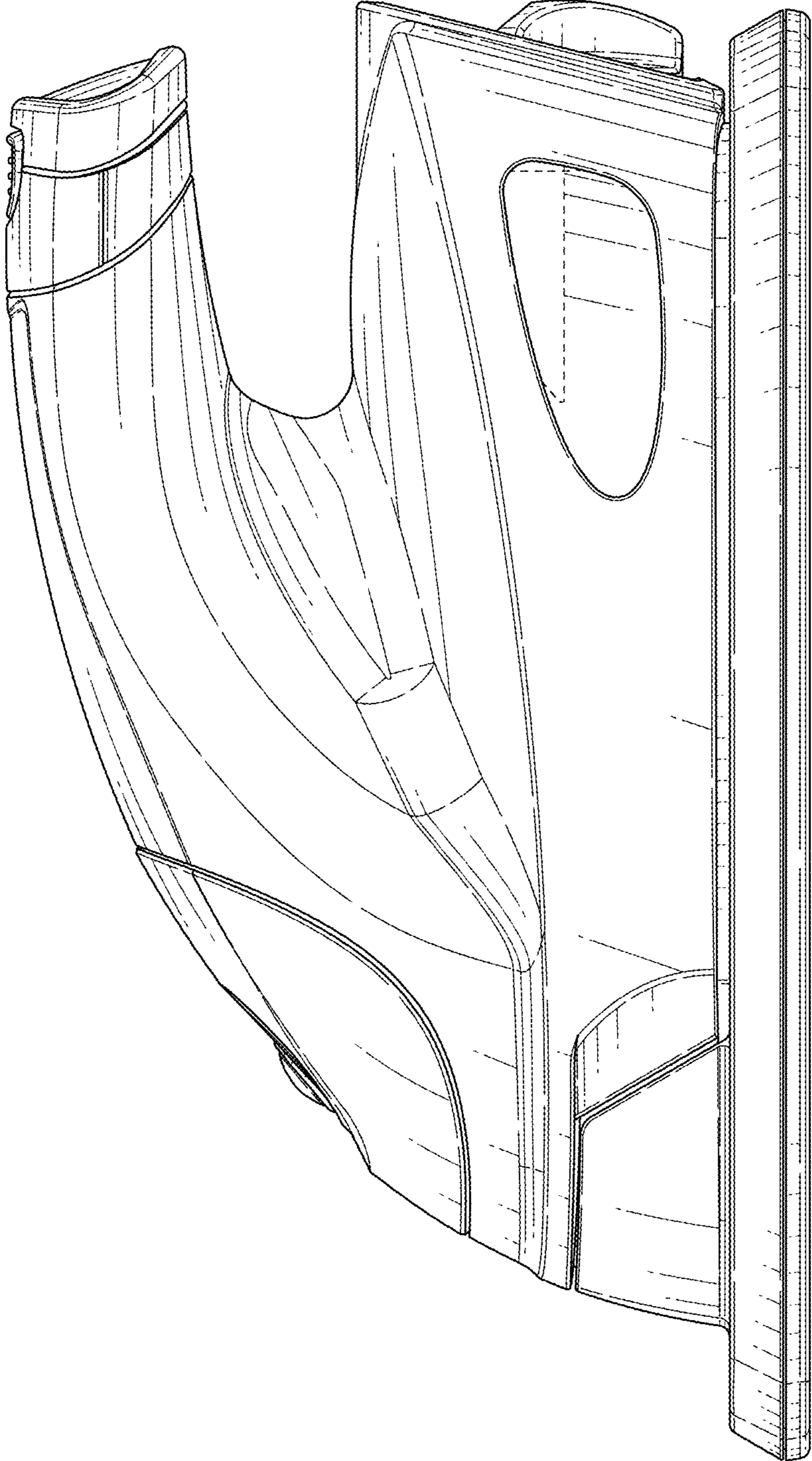


FIG. 3

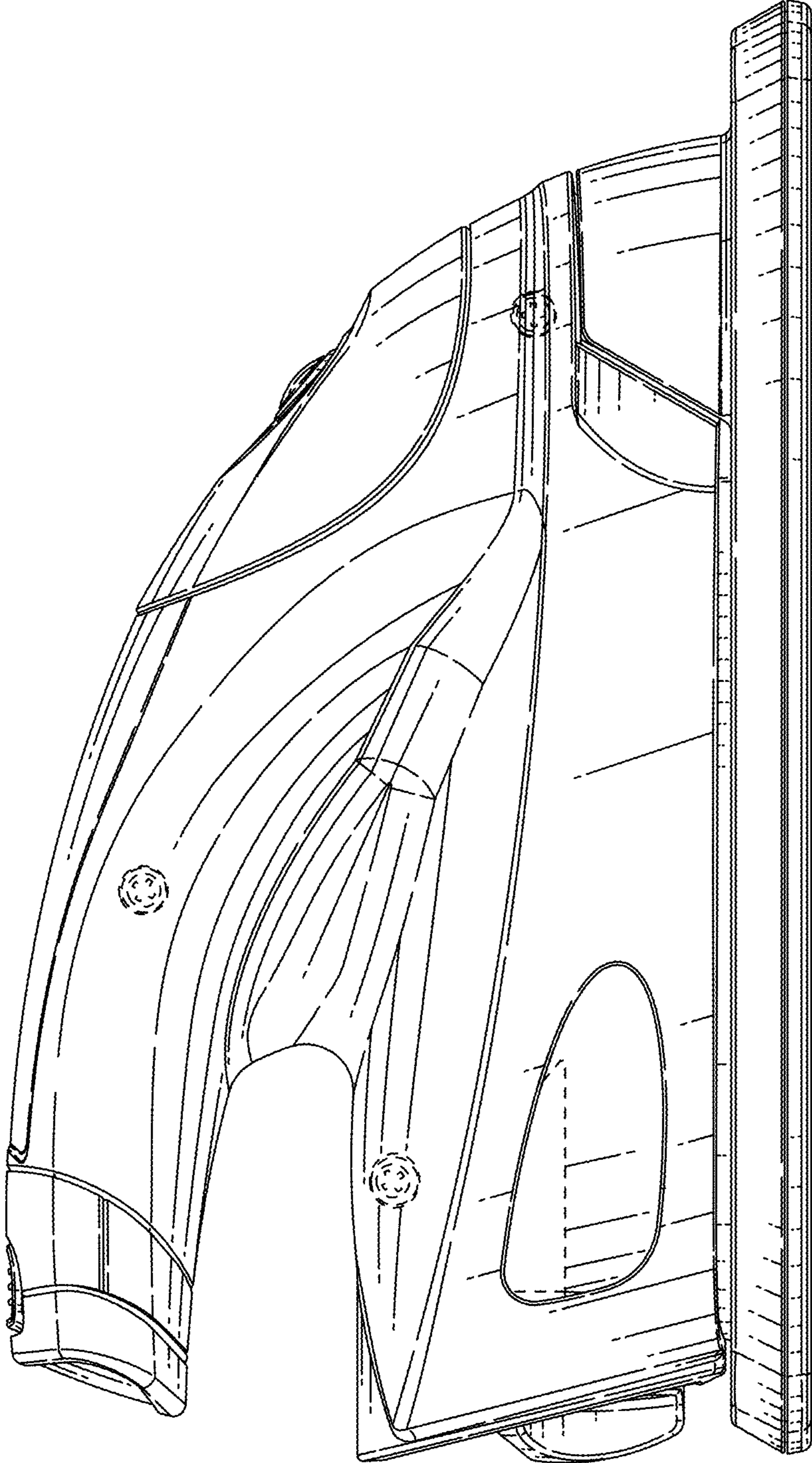


FIG. 4

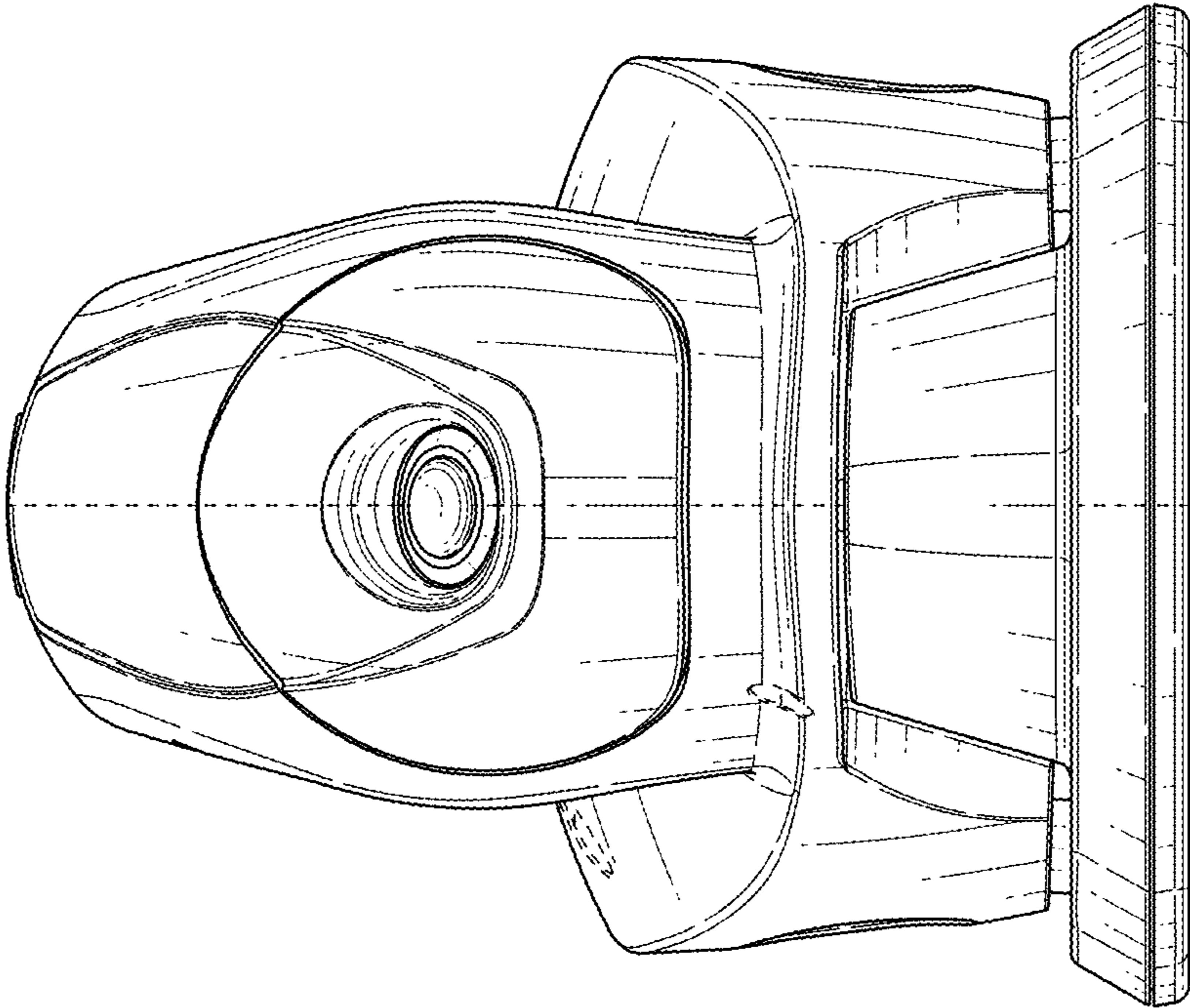


FIG. 5

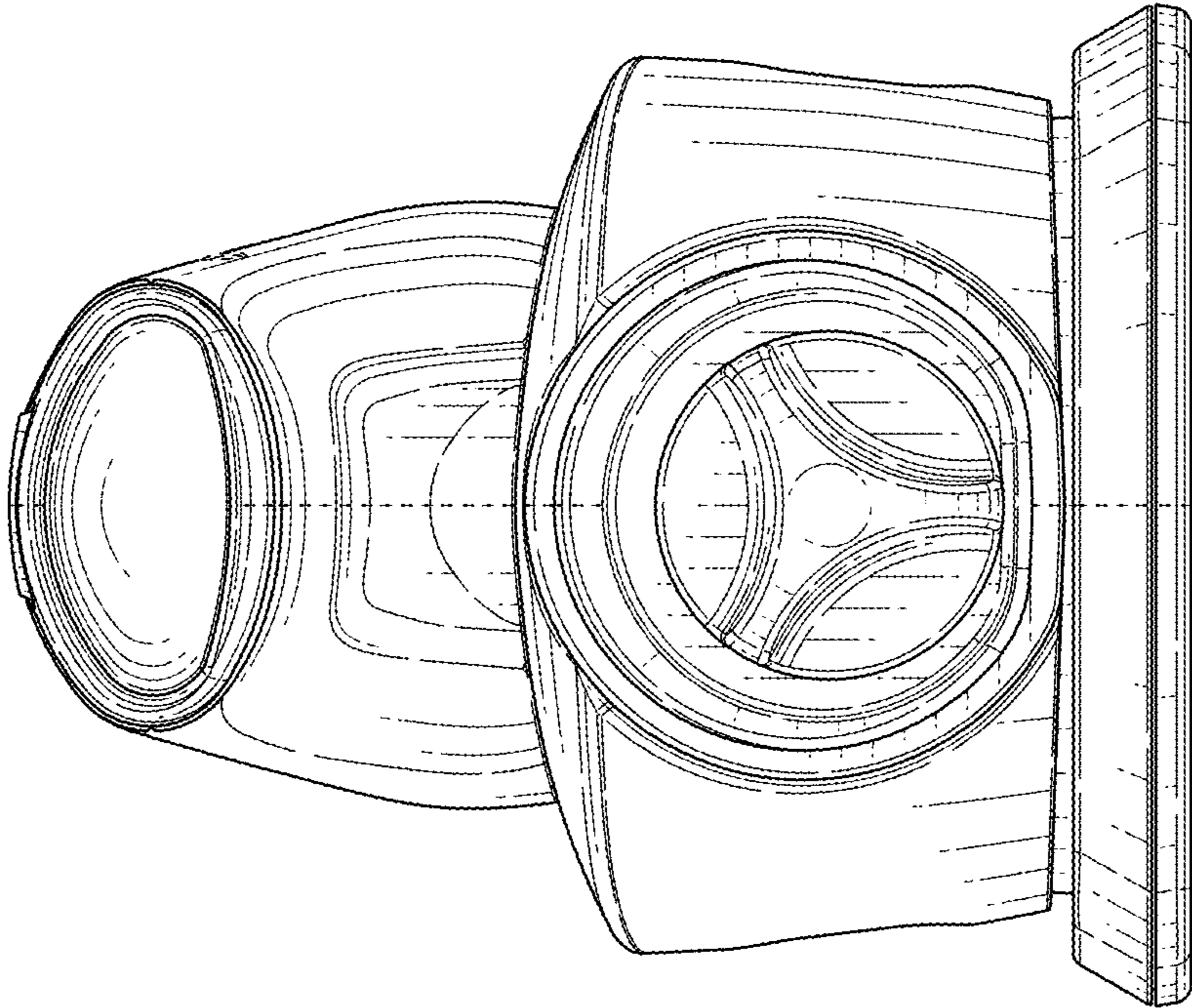


FIG. 6



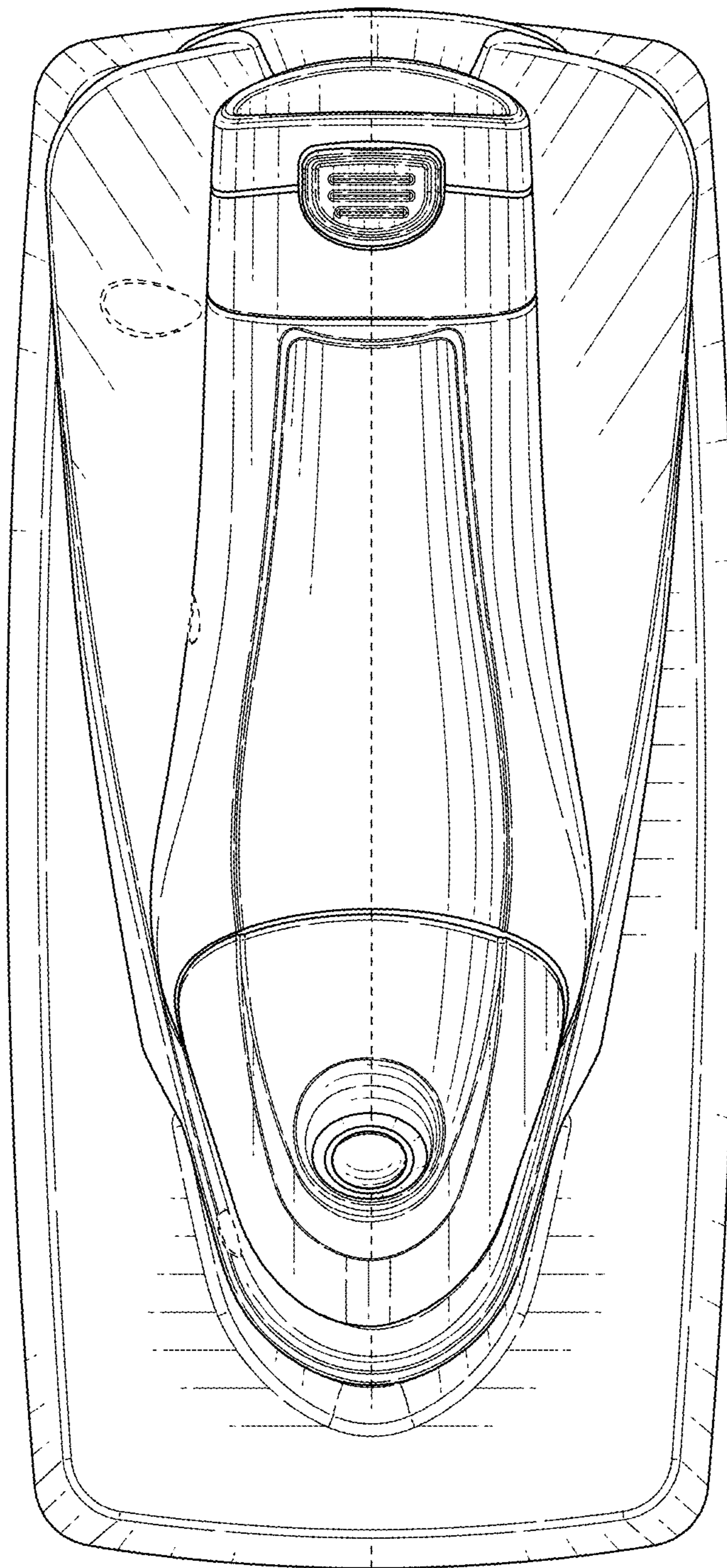


FIG. 7

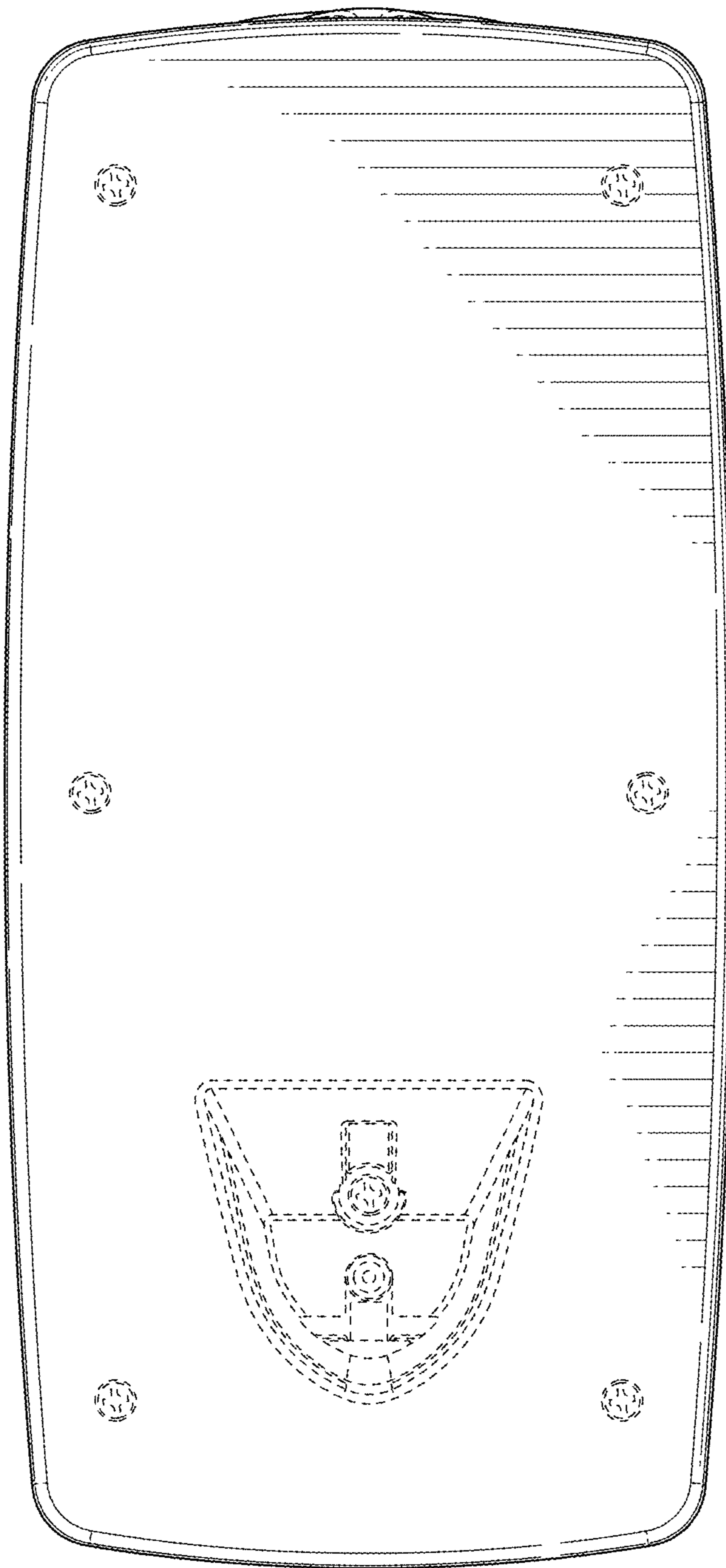


FIG. 8

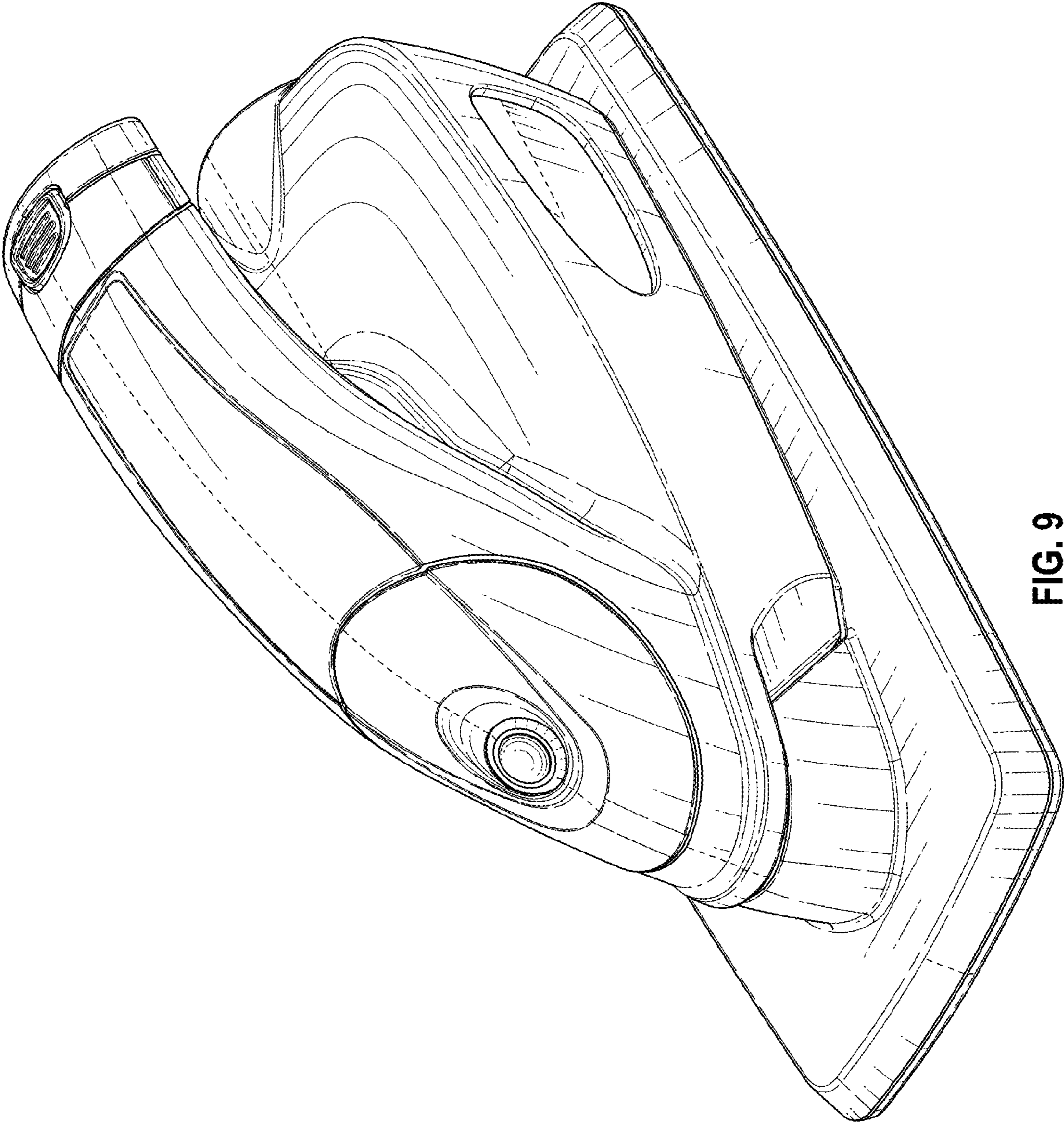


FIG. 9

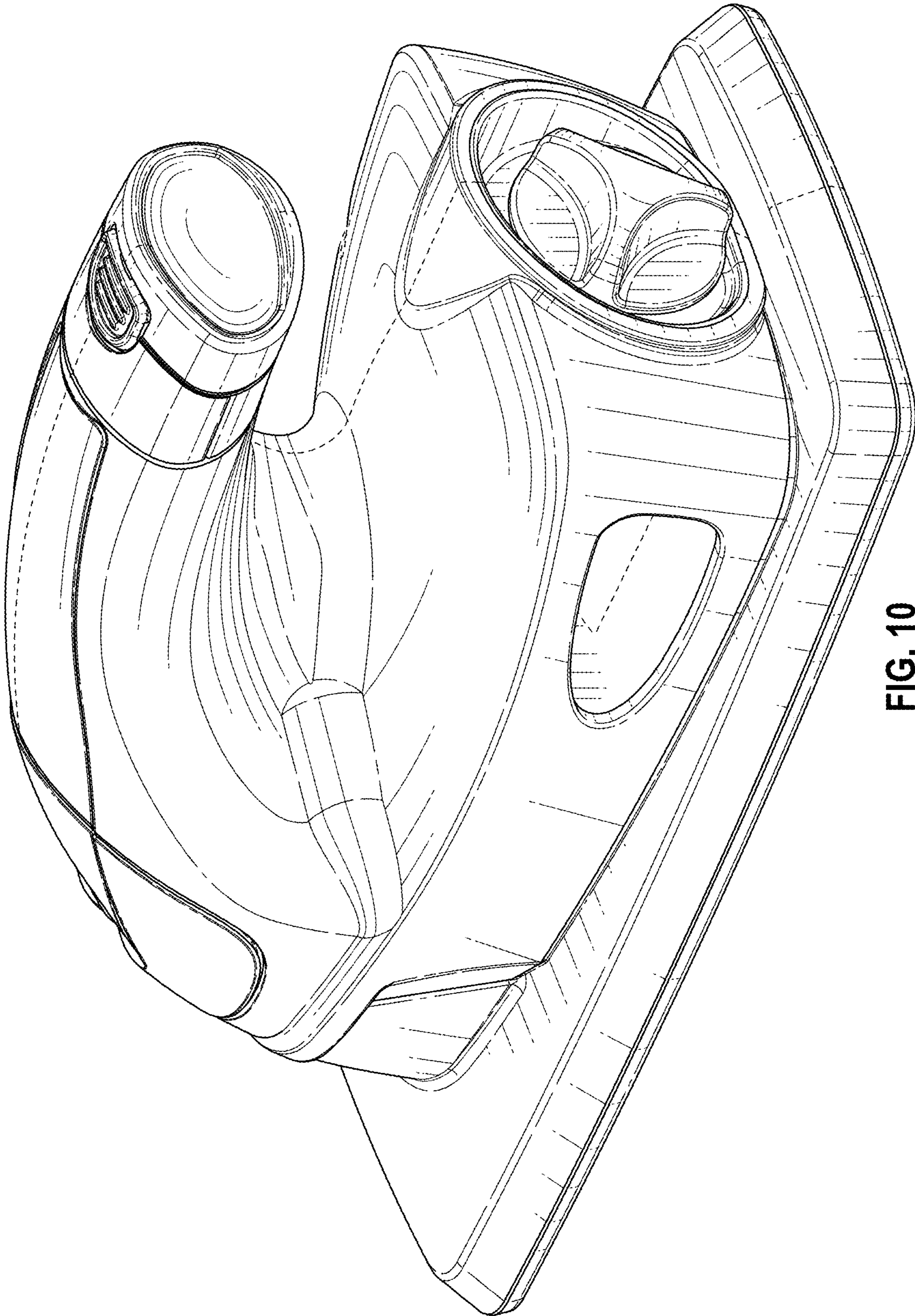


FIG. 10

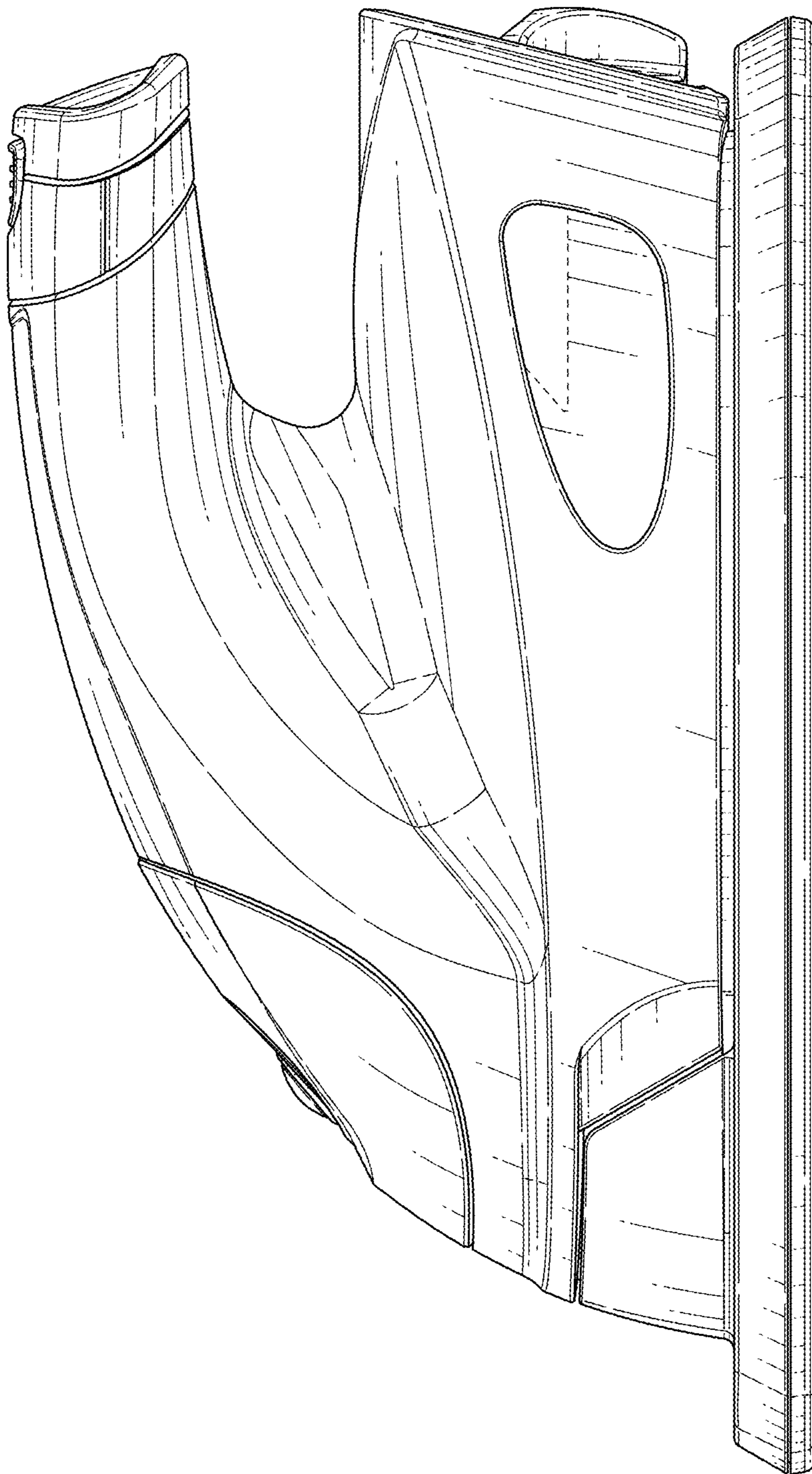


FIG. 11

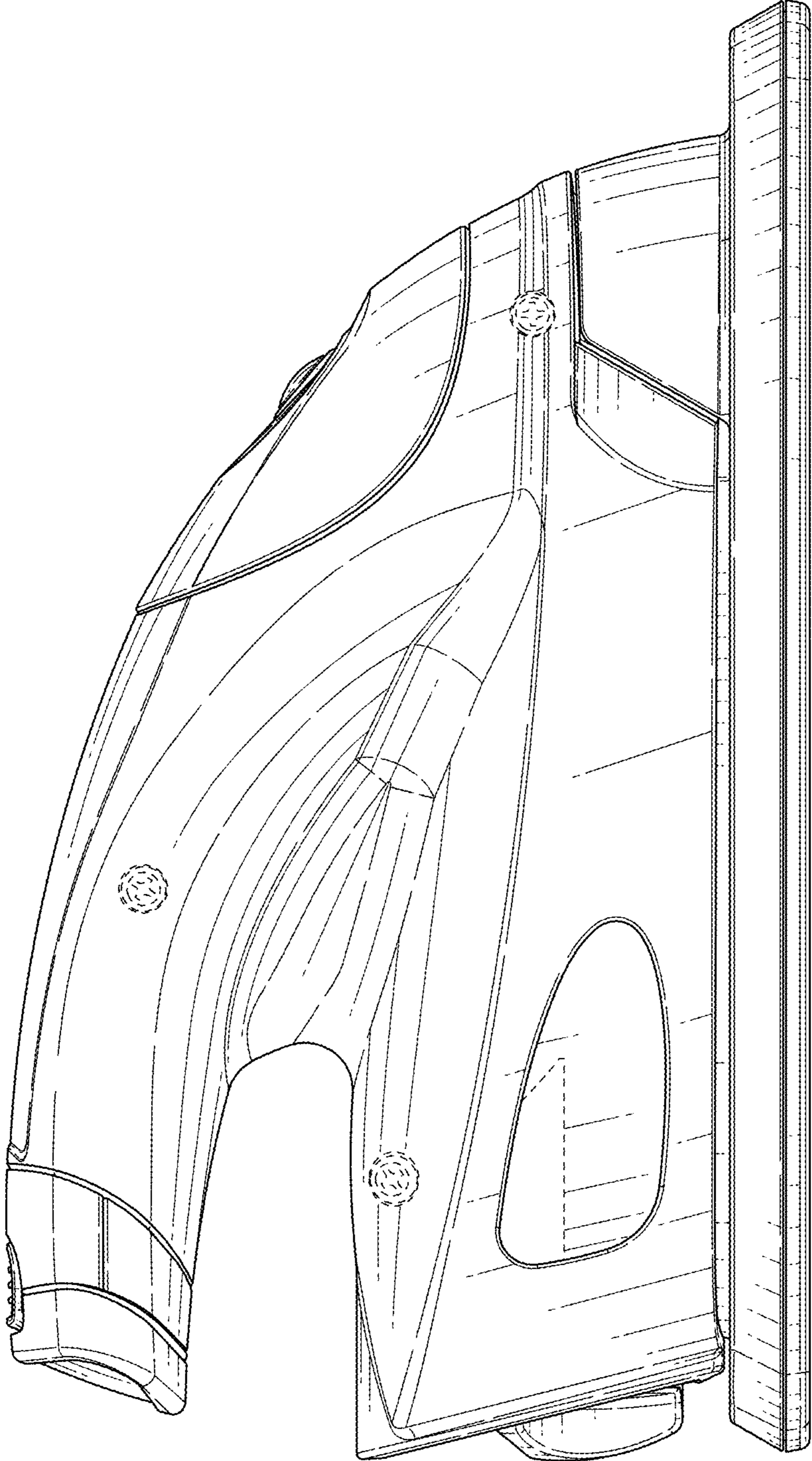


FIG. 12

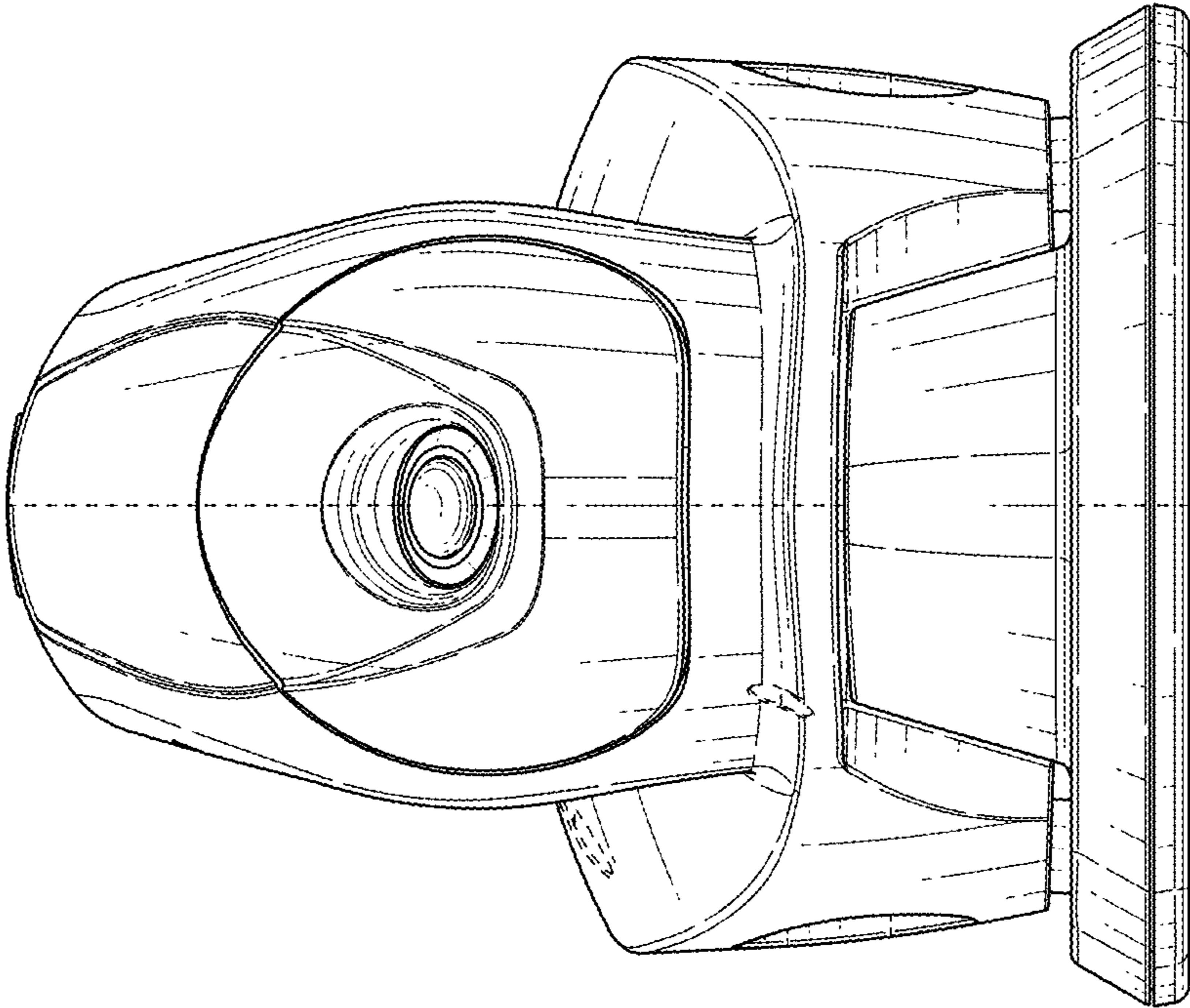


FIG. 13

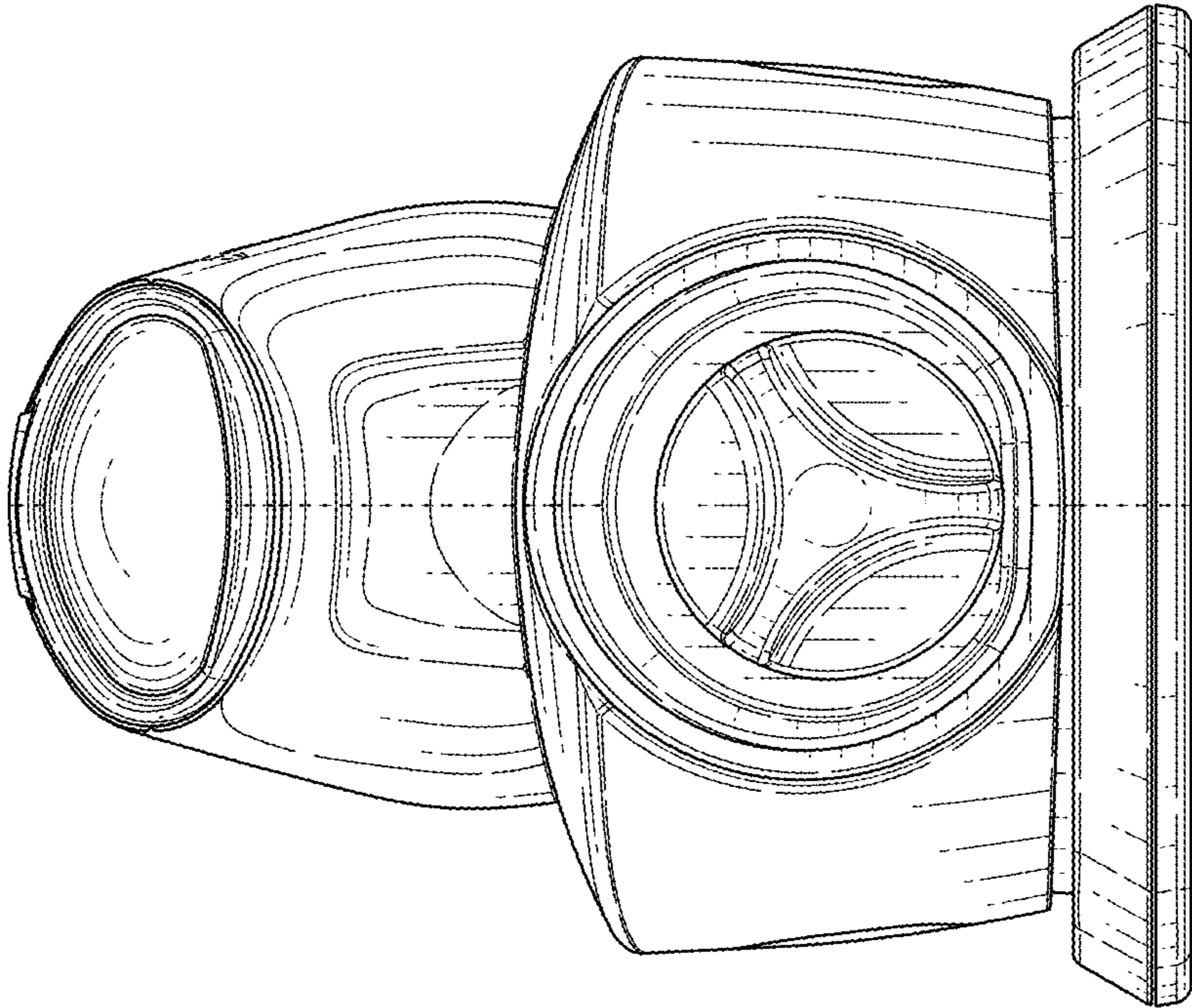


FIG. 14



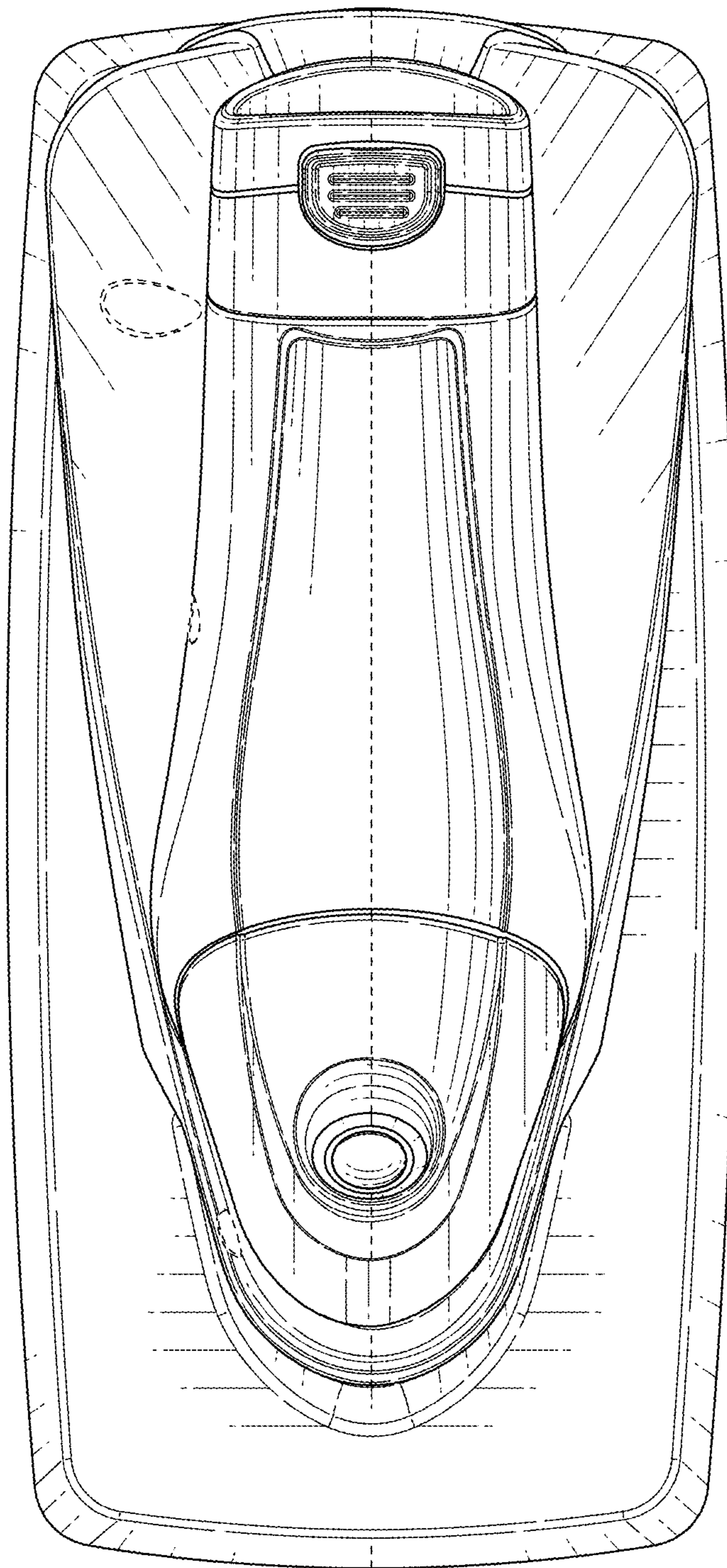


FIG. 15

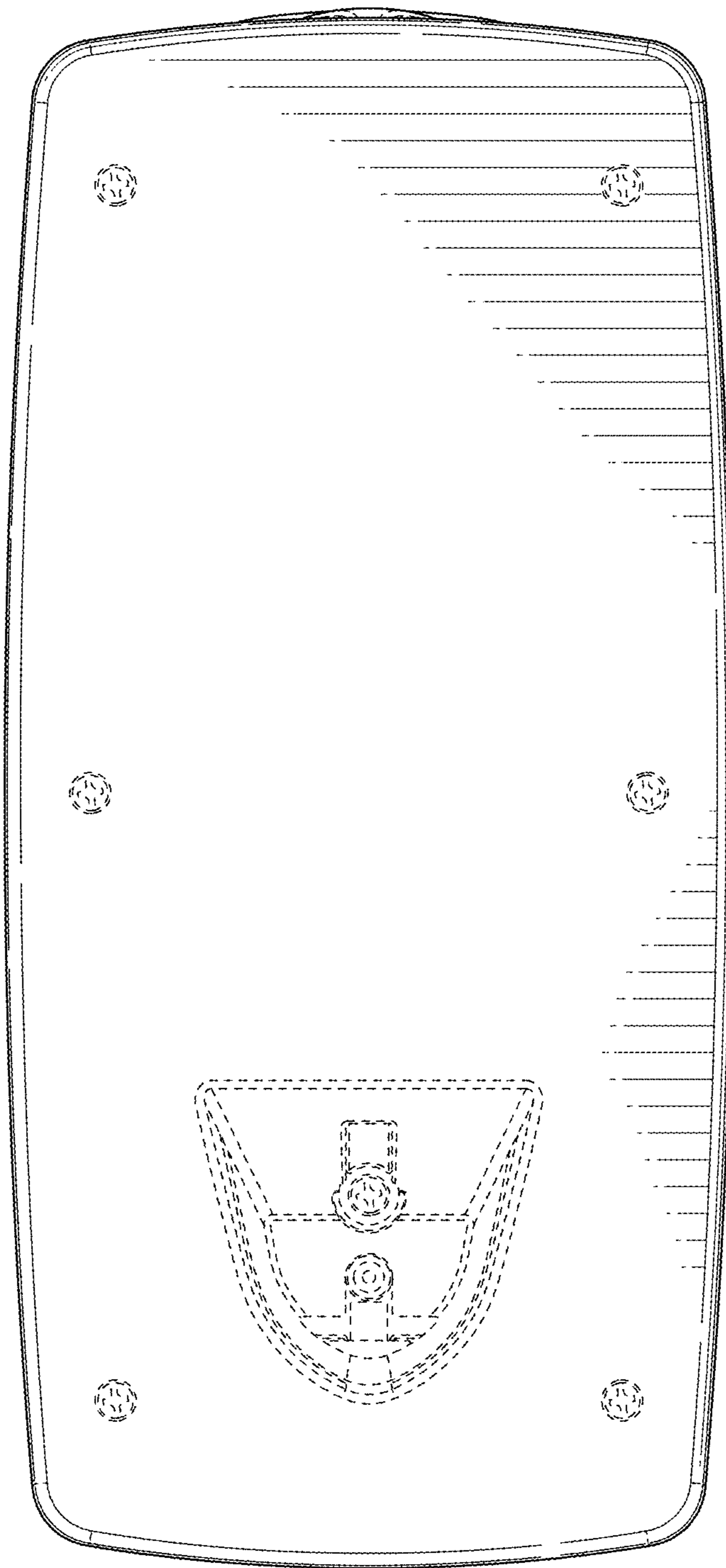


FIG. 16