



US00D904703S

(12) **United States Design Patent** (10) **Patent No.:** **US D904,703 S**
Callahan et al. (45) **Date of Patent:** **** Dec. 8, 2020**

(54) **COUNTERTOP DISHWASHER**

FOREIGN PATENT DOCUMENTS

(71) Applicant: **Heatworks Technologies, Inc.**,
Sullivan's Island, SC (US)

CN 3173335 D 1/2001
KR 300423970 9/2006
RU 00117732 * 11/2019

(72) Inventors: **Jeremiah M. Callahan**, Sullivan's
Island, SC (US); **Adam C. Wrigley**,
Brooklyn, NY (US); **Christopher B.
Crowley**, Long Island City, NY (US);
Alexander C. Calkins, Portland, OR
(US); **Inna Lobel**, New York, NY (US);
Jung Soo Park, Brooklyn, NY (US);
Reid A. Schlegel, Brooklyn, NY (US)

OTHER PUBLICATIONS

Cleaning Tools for a Tiny Apartment—The New York Times, article
date Mar. 23, 2018, site visited Mar. 9, 2020, <https://www.nytimes.com/2018/03/23/realestate/cleaning-small-apartment.html>.*

(Continued)

Primary Examiner — John R Yeh
(74) *Attorney, Agent, or Firm* — Lerner, David,
Littenberg, Krumholz & Mentlik, LLP

(73) Assignee: **Heatworks Technologies, Inc.**,
Sullivan's Island, SC (US)

(**) Term: **15 Years**

(57) **CLAIM**

(21) Appl. No.: **29/675,676**

The ornamental design for a countertop dishwasher, as
shown and described.

(22) Filed: **Jan. 4, 2019**

DESCRIPTION

Related U.S. Application Data

(63) Continuation-in-part of application No. 29/655,735,
filed on Jul. 6, 2018.

(51) **LOC (12) Cl.** **15-05**

(52) **U.S. Cl.**
USPC **D32/2**

(58) **Field of Classification Search**
USPC D32/2-3, 6, 8

(Continued)

FIG. 1 is a front perspective view of a countertop dishwasher
according to our design, wherein the countertop dishwasher
is in an open configuration.

FIG. 2 is a front elevation view thereof;

FIG. 3 is a rear elevation view thereof;

FIG. 4 is a right side elevation view thereof;

FIG. 5 is a left side elevation view thereof;

FIG. 6 is a top plan view thereof;

FIG. 7 is a bottom plan view thereof;

FIG. 8 is a bottom perspective view thereof; and,

FIG. 9 is a front perspective view showing an example use
thereof.

The broken lines shown in the drawings illustrate portions of
the countertop dishwasher that form no part of the claimed
design or environmental structure that forms no part of the
claimed design. The diagonal lines and curved lines on the
surfaces of the countertop dishwasher represent a transpar-
ent surface. The stipple shading in FIGS. 1-9 is intended to

(Continued)

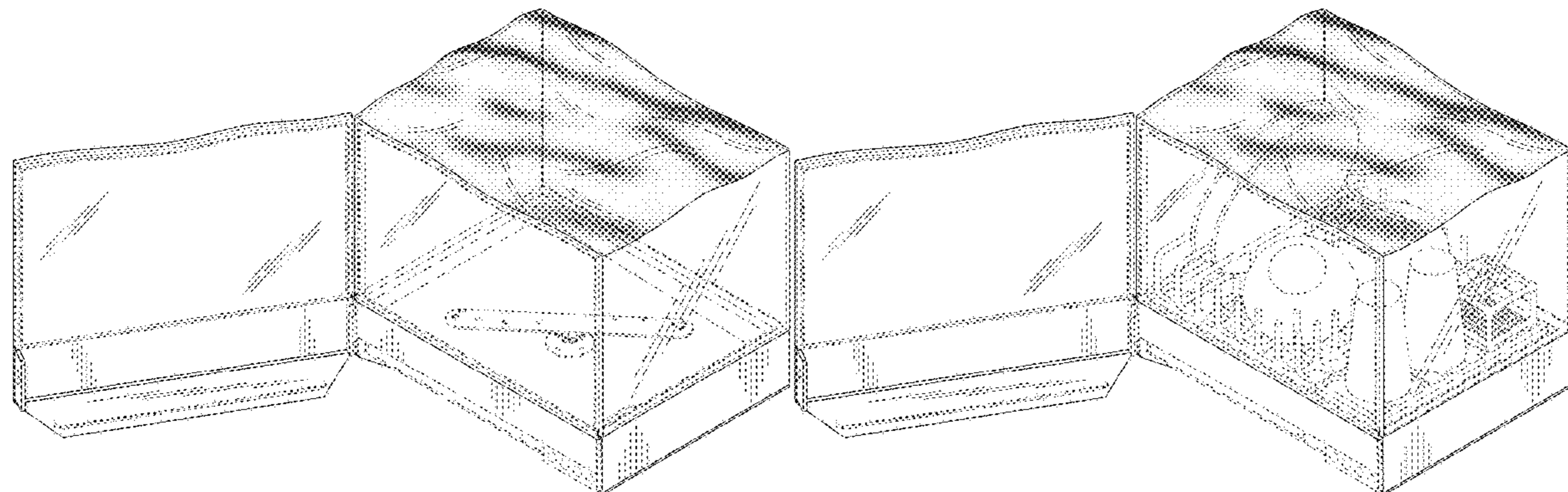
(56) **References Cited**

U.S. PATENT DOCUMENTS

3,460,878 A * 8/1969 Appel A47L 15/0089
312/297

3,465,761 A * 9/1969 Grunewald A47L 15/0089
134/58 D

(Continued)



illustrate the surface contours of the transparent top surface of the countertop dishwasher.

1 Claim, 9 Drawing Sheets

(58) **Field of Classification Search**

CPC A47L 15/42; A47L 15/48; A47L 15/14;
A47L 15/23

See application file for complete search history.

(56) **References Cited**

U.S. PATENT DOCUMENTS

D310,616	S	*	9/1990	Murai	D7/351
D360,103	S	*	7/1995	Kim	D7/351
5,518,014	A	*	5/1996	McEachen	A47L 15/0089 134/104.4
D403,471	S	*	12/1998	Brace	D32/2
D431,957	S	*	10/2000	Taira	D7/351
D443,873	S	*	6/2001	Comisky	D14/230
D452,965	S	*	1/2002	Comisky	D14/230
D453,152	S	*	1/2002	Comisky	D14/230
D453,925	S	*	2/2002	Comisky	D14/230
D453,927	S	*	2/2002	Comisky	D14/230
D460,659	S	*	7/2002	Hessen	D7/351
D463,408	S	*	9/2002	Comisky	D14/231

D554,305	S	*	10/2007	Pietruska	D32/2
D560,422	S	*	1/2008	Kim	D7/351
D587,864	S	*	3/2009	Jung	D32/2
D620,211	S	*	7/2010	Shail	D32/25
D629,168	S	*	12/2010	Park	D32/25
D633,670	S	*	3/2011	Grutzke	D32/25
D639,105	S	*	6/2011	Shin	D7/351
D703,395	S	*	4/2014	Choi	D32/2
D704,909	S	*	5/2014	Jeon	D32/25
D712,694	S	*	9/2014	Kim	D7/351
D804,749	S	*	12/2017	Tong	D32/2
D827,224	S	*	8/2018	Lee	D32/3
D828,655	S	*	9/2018	Tong	D32/2
D845,564	S	*	4/2019	Tong	D32/2
D864,504	S	*	10/2019	Kim	D32/2
2010/0139700	A1	*	6/2010	Purtilo	A47L 15/14 134/25.2

OTHER PUBLICATIONS

Tetra Countertop Dishwasher Specifications—MyHeatworks.com, website 2020, <https://myheatworks.com/pages/tetra-specs>, site visited Mar. 9, 2020.*
Countertop Dishwasher publicly disclosed by Applicant, Heatworks Technologies Inc., on Jan. 7, 2018, at the CES Consumer Technology Association Trade Show in Las Vegas, Nevada. (Image of Exhibit Booth attached as Exhibit A).

* cited by examiner

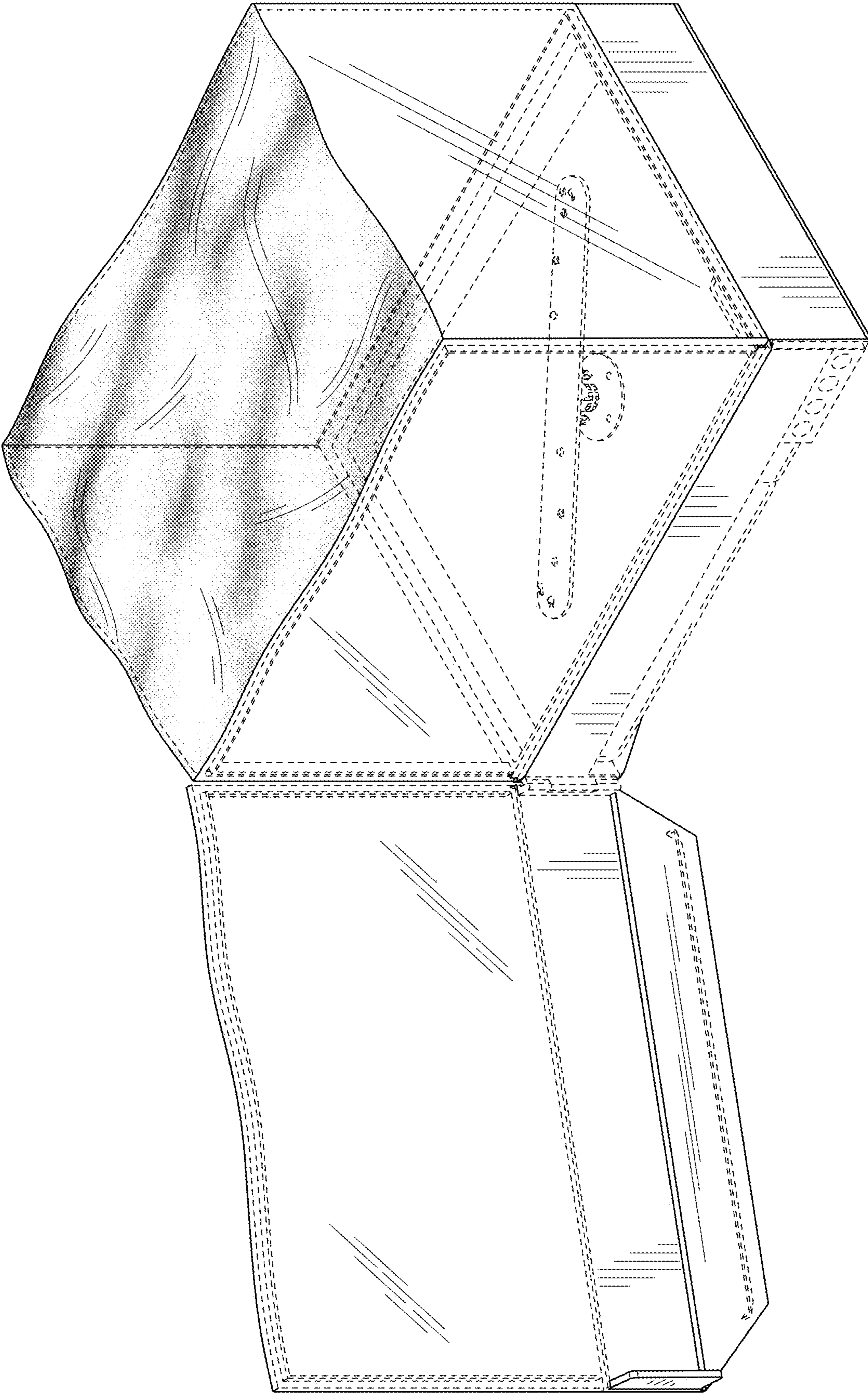


FIG. 1

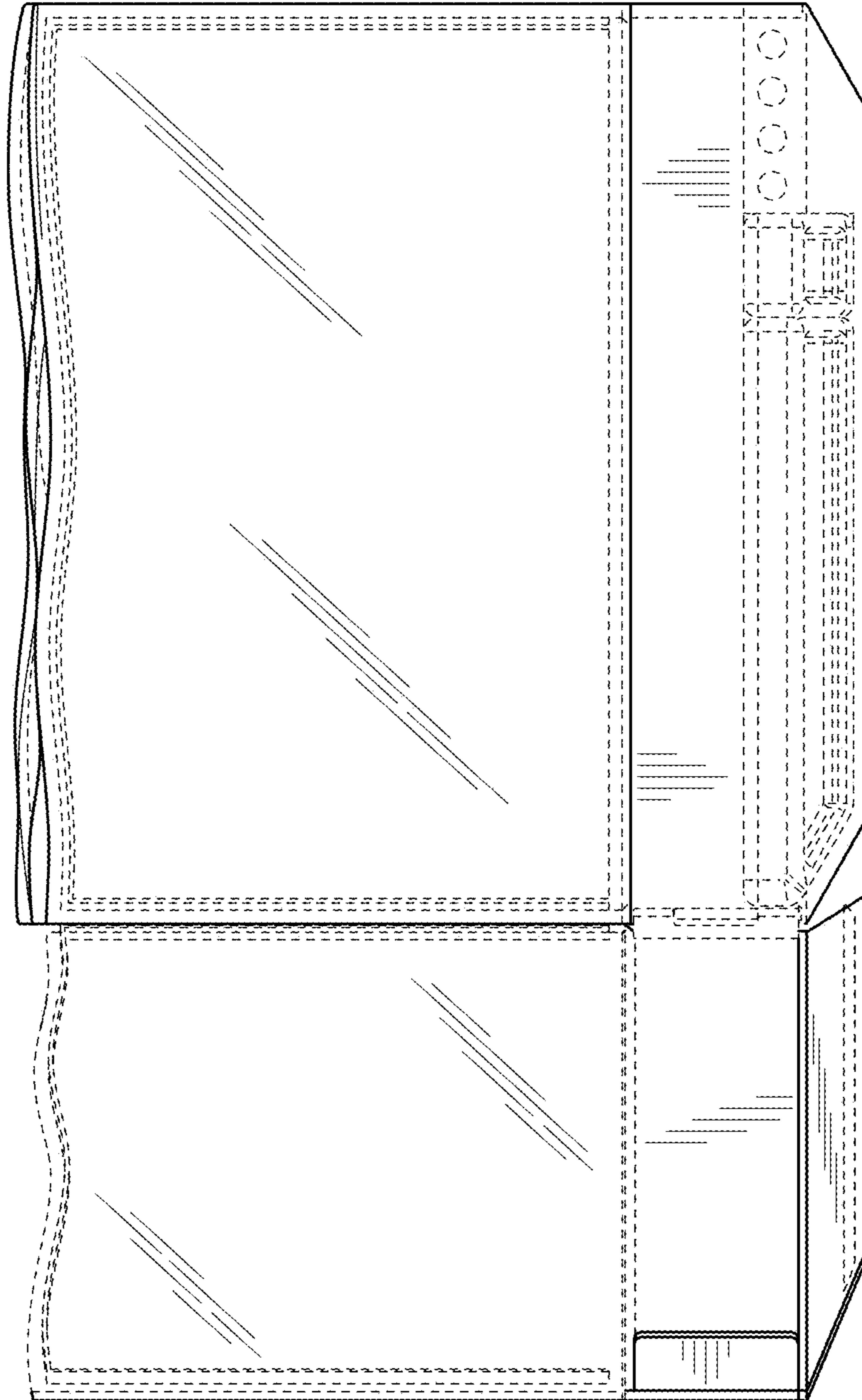


FIG. 2

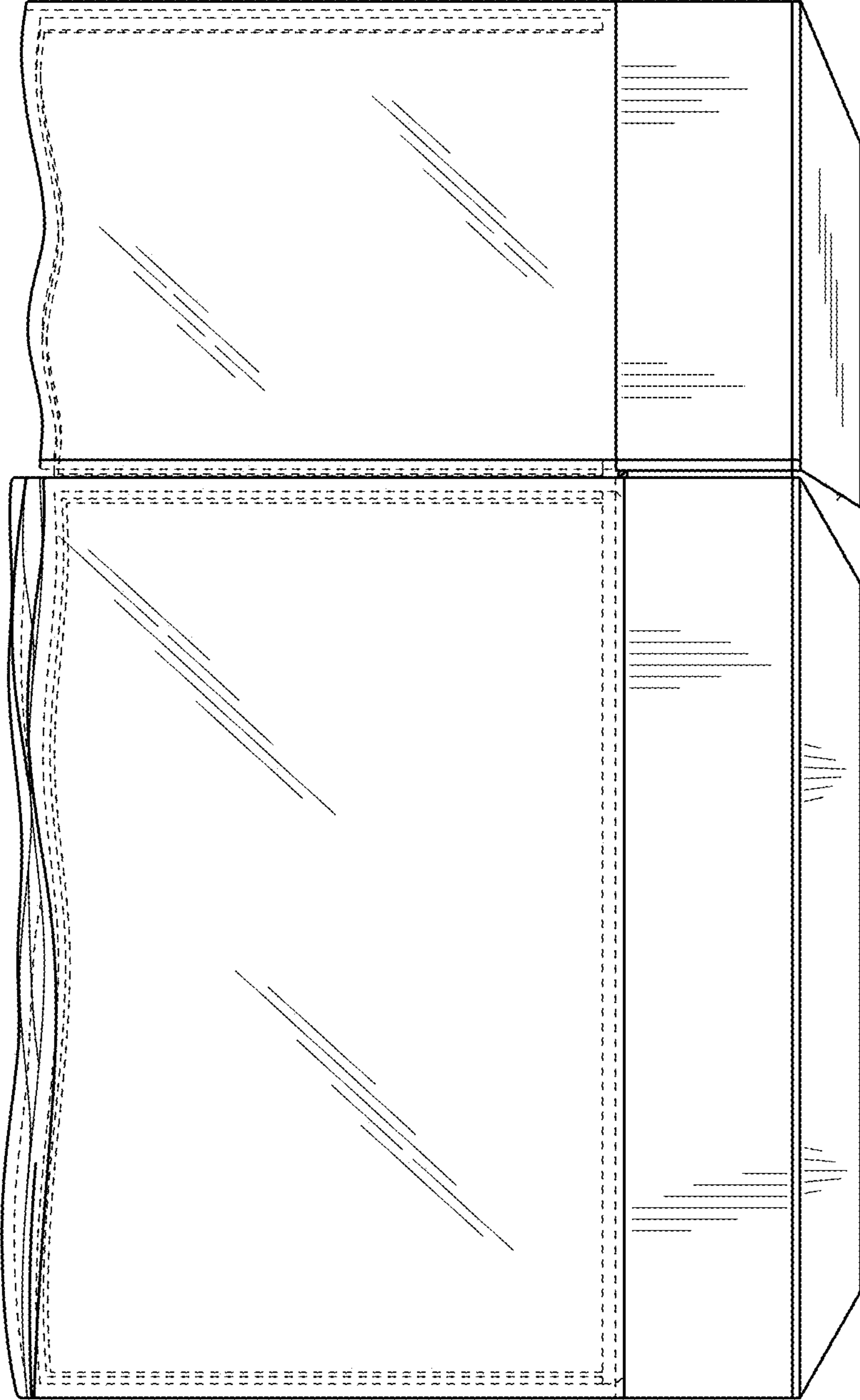


FIG. 3

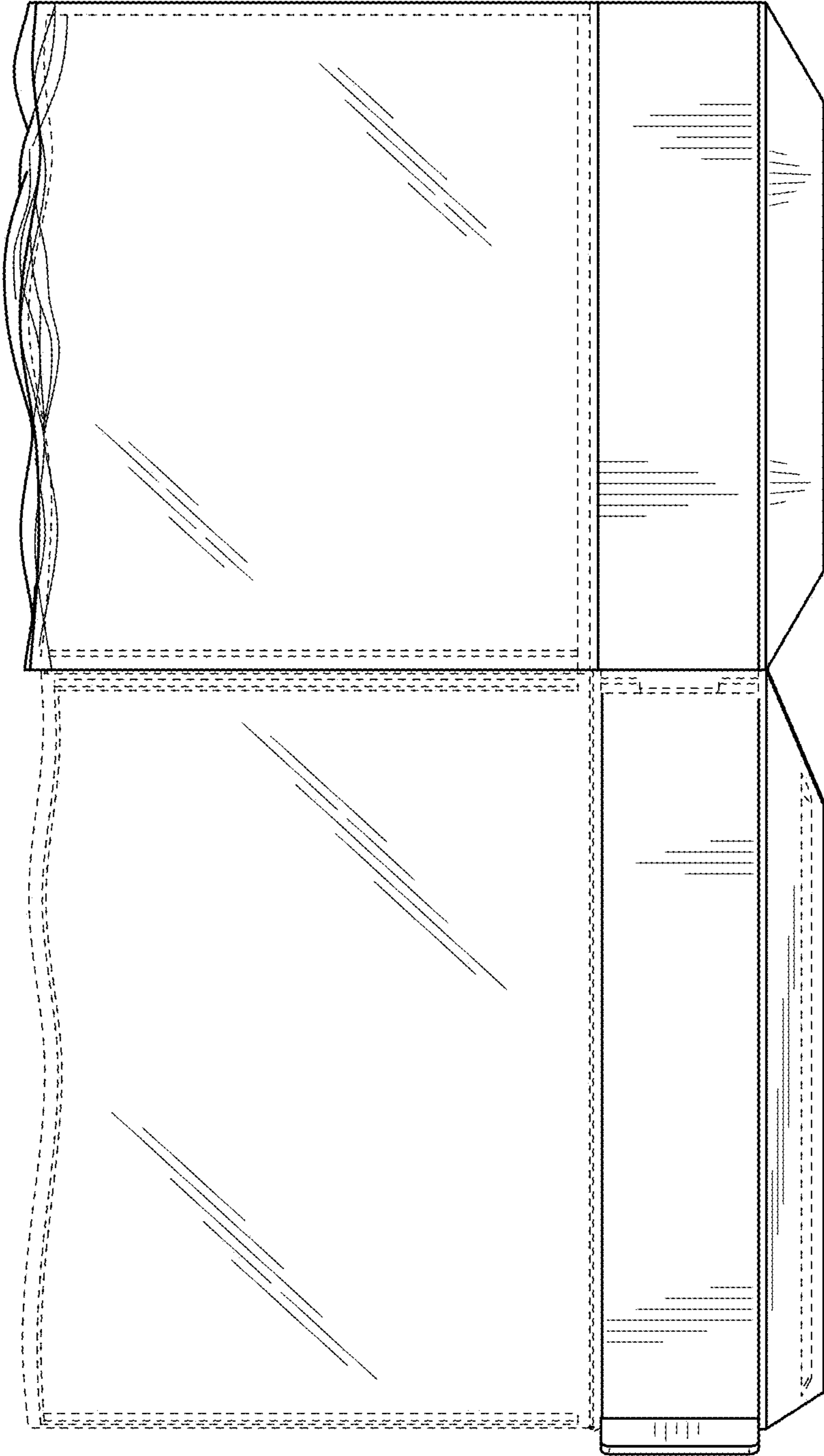


FIG. 4

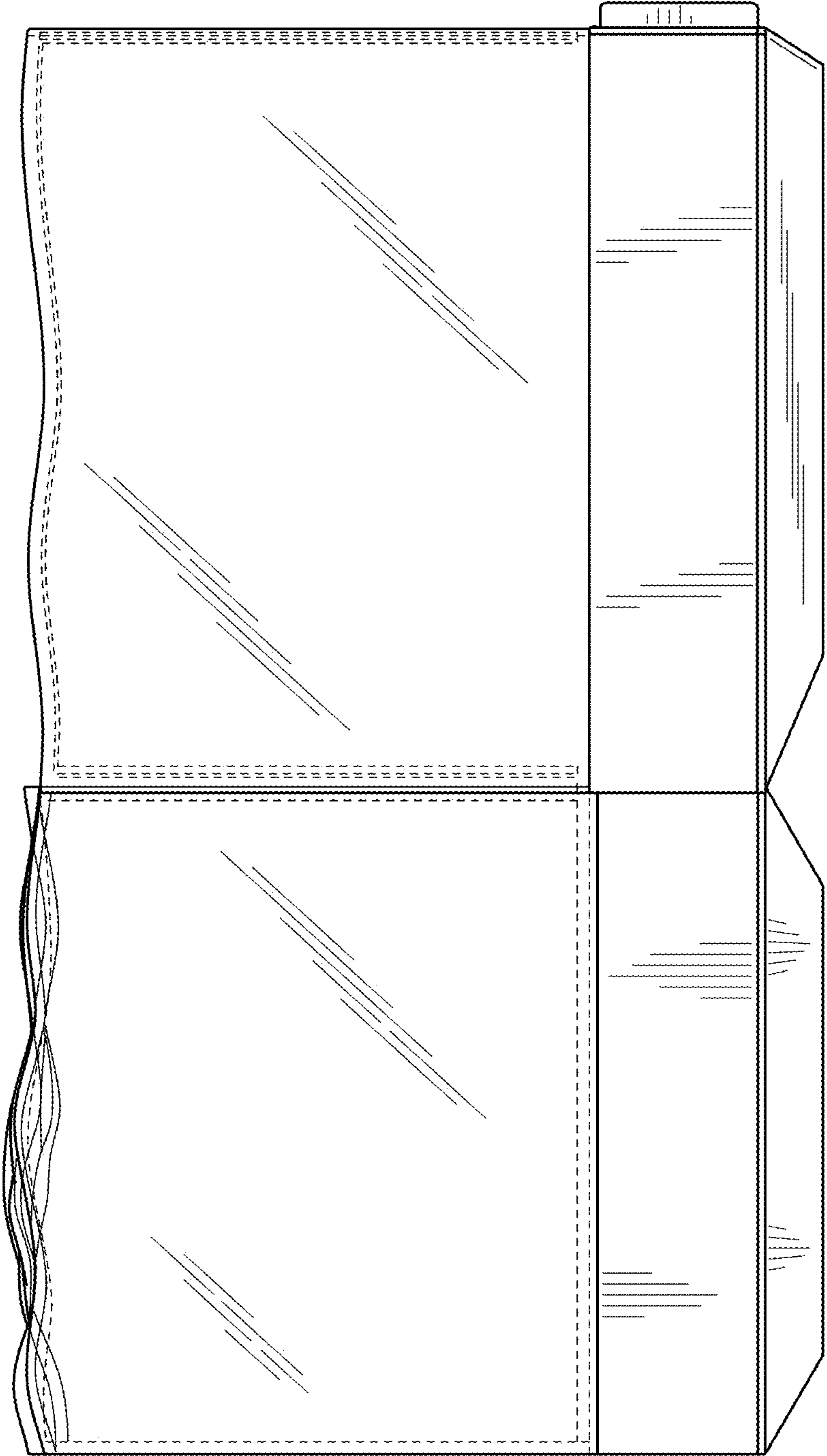


FIG. 5

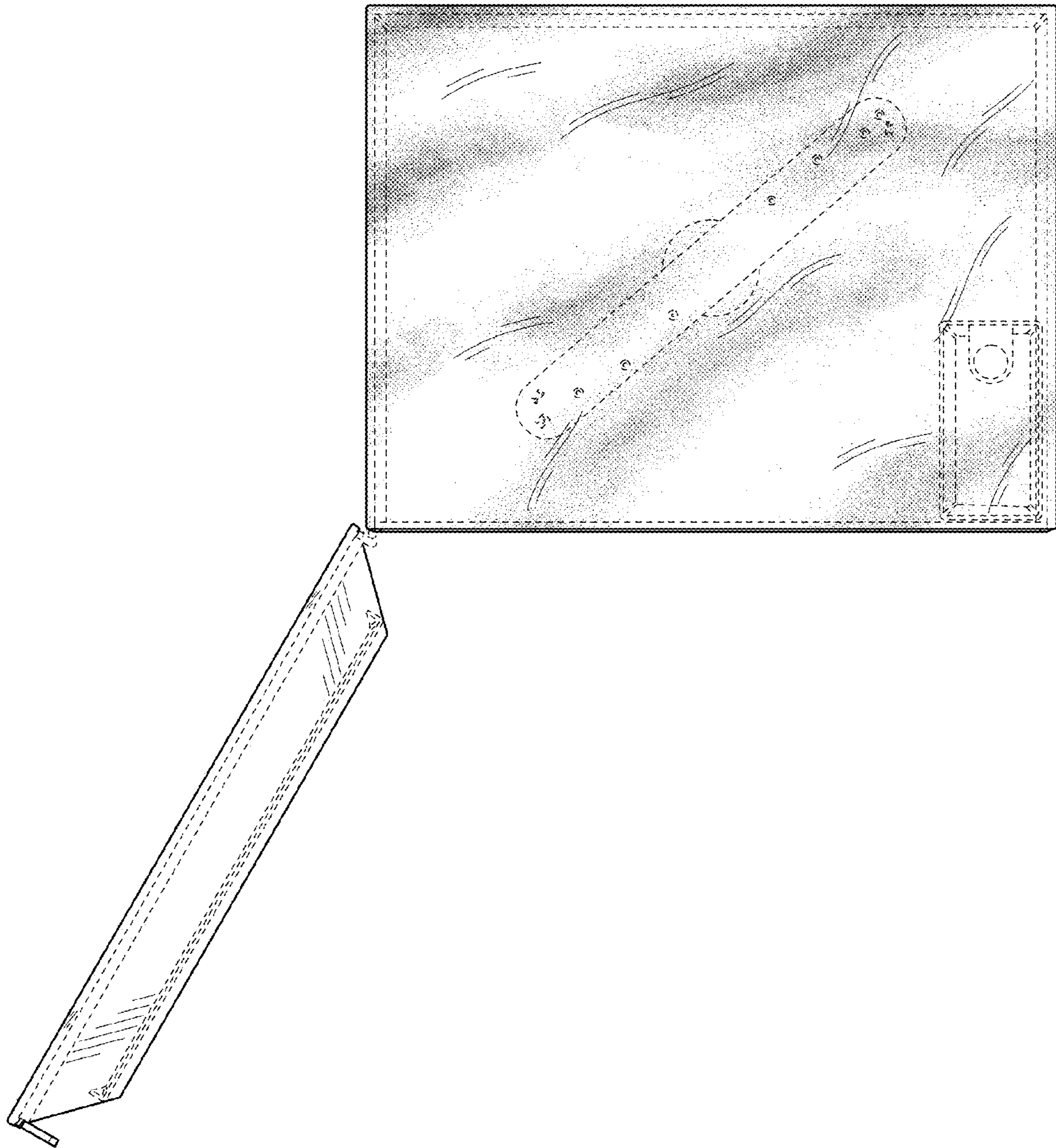


FIG. 6

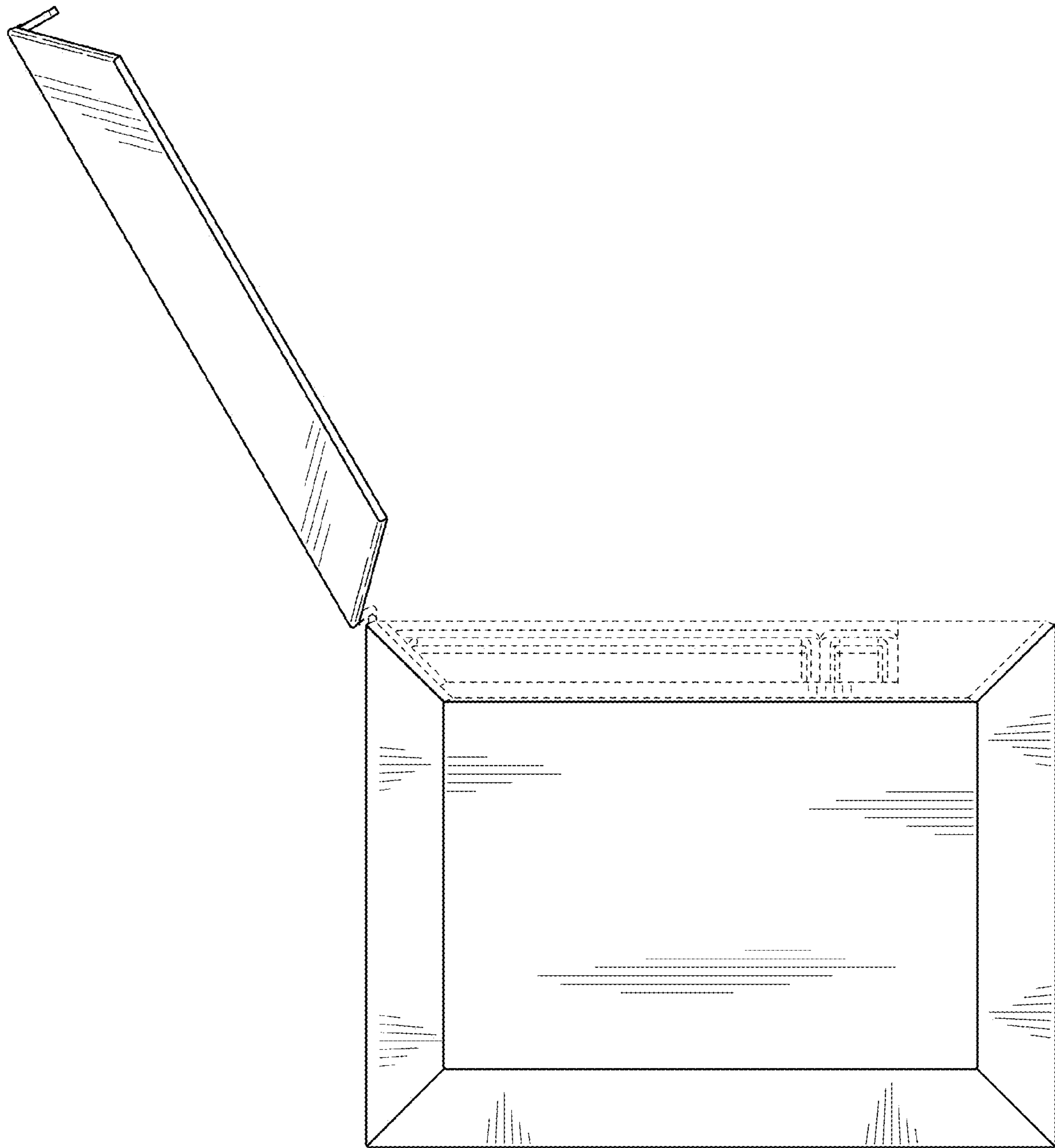


FIG. 7

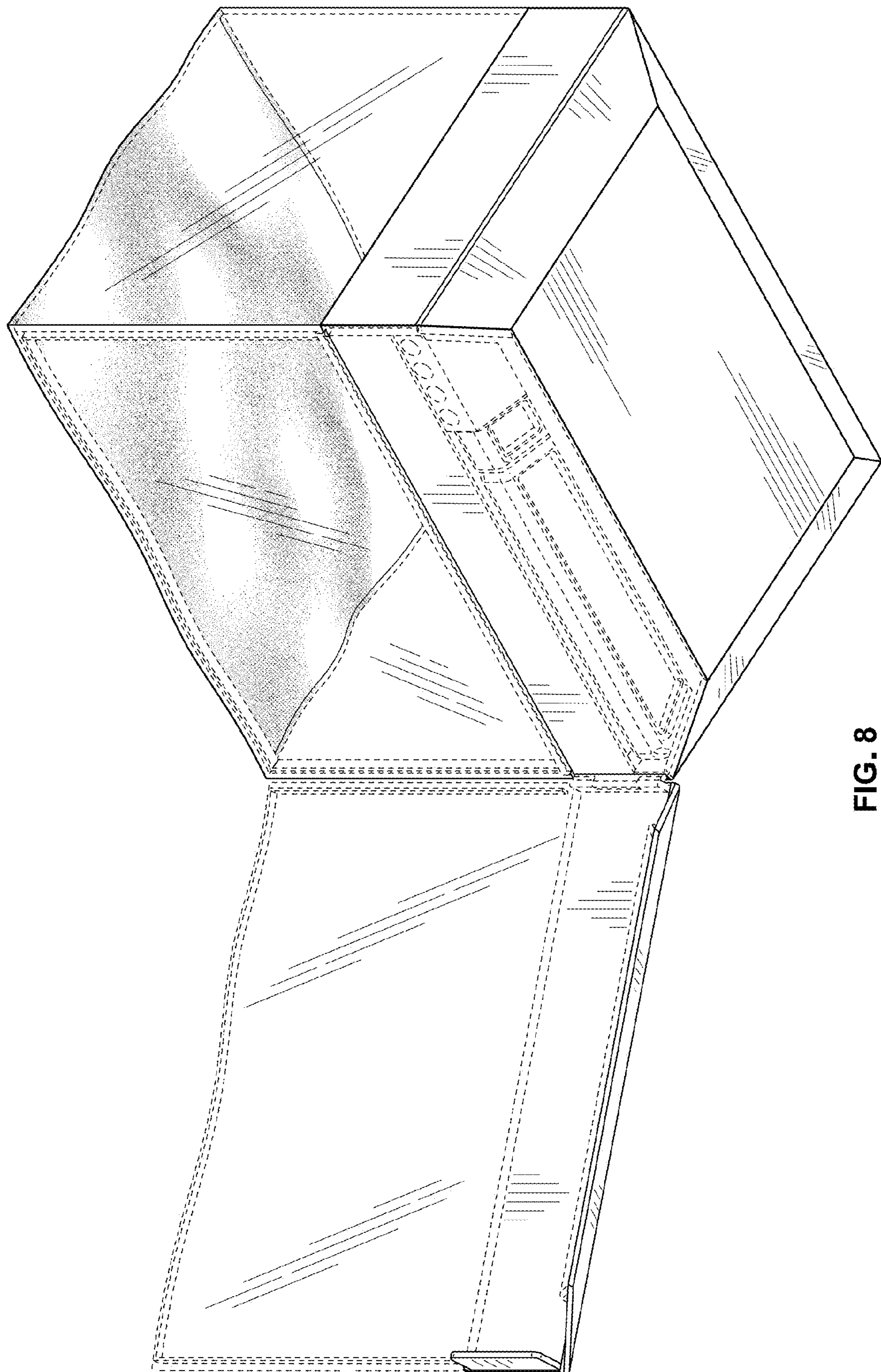


FIG. 8

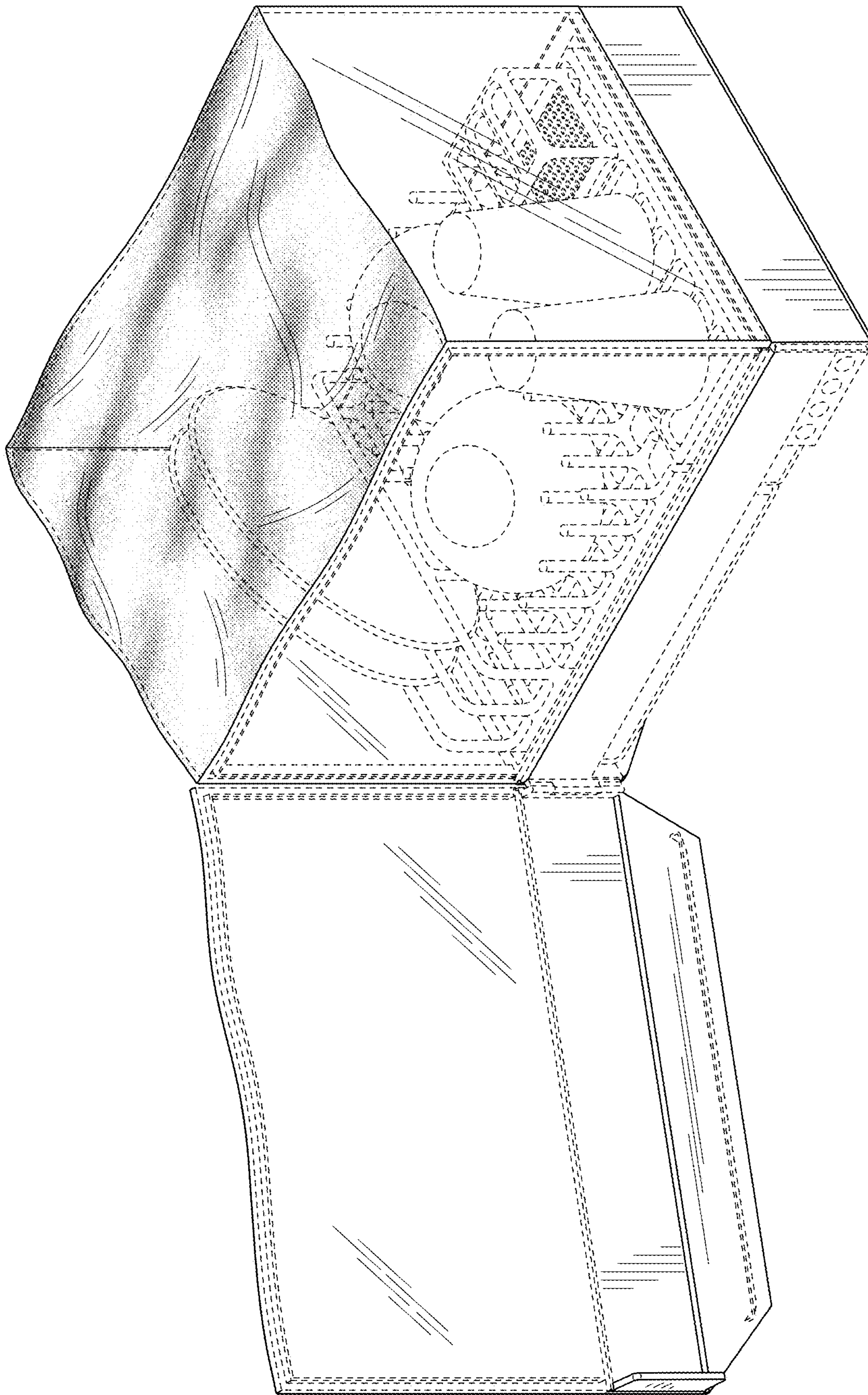


FIG. 9