



US00D904702S

(12) **United States Design Patent** (10) **Patent No.:** **US D904,702 S**  
**Jia** (45) **Date of Patent:** **\*\* \*Dec. 8, 2020**

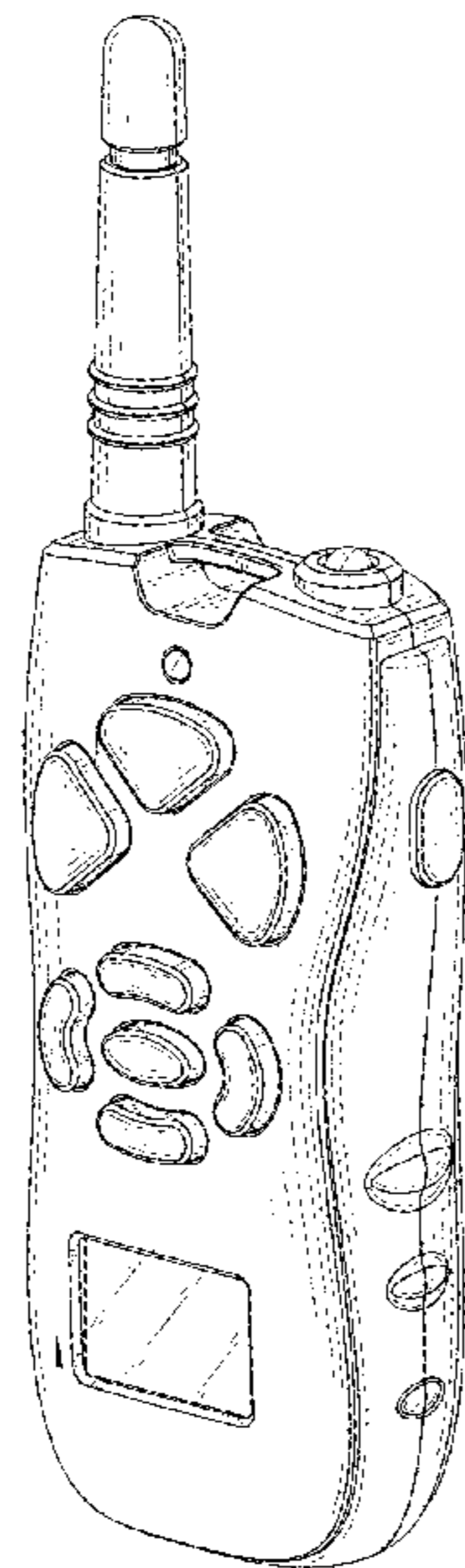
(54) **DOG TRAINING TRANSMITTER**  
(71) Applicant: **Shenzhen Smart Pet Technology Co., Ltd.**, Shenzhen (CN)  
(72) Inventor: **Yaya Jia**, Shenzhen (CN)  
(73) Assignee: **SHENZHEN SMART PET TECHNOLOGY CO., LTD.**, Shenzhen (CN)  
(\*) Notice: This patent is subject to a terminal disclaimer.  
(\*\*) Term: **15 Years**  
(21) Appl. No.: **29/628,197**  
(22) Filed: **Dec. 1, 2017**  
(51) **LOC (12) Cl.** ..... **30-99**  
(52) **U.S. Cl.**  
USPC ..... **D30/199**; D10/104.1  
(58) **Field of Classification Search**  
USPC ..... D30/199, 155; 119/718-721, 712, 905, 119/908, 859; D10/104.1, 106.1, 104.2, D10/106.3; D14/137, 496, 218, 159; 340/573.3, 573.1, 384.2, 825.76, 538.15, 340/538.16, 539.1, 539.11, 539.14, 340/539.15, 539.16, 539.17, 539.18, 340/539.19, 572.7, 572.8, 572.9, 573.2, 340/573.4; D13/168  
CPC .. A01K 15/021; A01K 15/022; A01K 15/023; A01K 15/029; A01K 15/04; A01K 15/00; A01K 15/02; A01K 15/006; A01K 27/009; A01K 29/005; A01K 29/00  
See application file for complete search history.

(56) **References Cited**  
U.S. PATENT DOCUMENTS  
D406,779 S \* 3/1999 Pinardi ..... D10/104.1  
D469,708 S \* 2/2003 To ..... D10/104.1  
D523,768 S \* 6/2006 Kaufman ..... D10/104.1  
D535,902 S \* 1/2007 Kaufman ..... D30/199  
D805,701 S \* 12/2017 Li ..... D30/199  
D815,372 S \* 4/2018 Goetzl ..... D30/199  
D835,861 S \* 12/2018 Li ..... D30/199  
\* cited by examiner  
*Primary Examiner* — Susan Moon Lee  
(74) *Attorney, Agent, or Firm* — Hemisphere Law, PLLC; Zhigang Ma

(57) **CLAIM**  
The ornamental design for a dog training transmitter, as shown and described.

**DESCRIPTION**  
FIG. 1 is a perspective view of a dog training transmitter showing my new design;  
FIG. 2 is a front elevational view thereof;  
FIG. 3 is a rear elevational view thereof;  
FIG. 4 is a left side elevational view thereof;  
FIG. 5 is a right side elevational view thereof;  
FIG. 6 is a top plan view thereof; and,  
FIG. 7 is a bottom plan view thereof.  
The broken lines immediately adjacent the claim as shown in the drawings represent the boundaries of the claimed design, while all other broken lines are directed to environment and are for illustrative purpose only; the broken lines form no part of the claimed design.

**1 Claim, 7 Drawing Sheets**



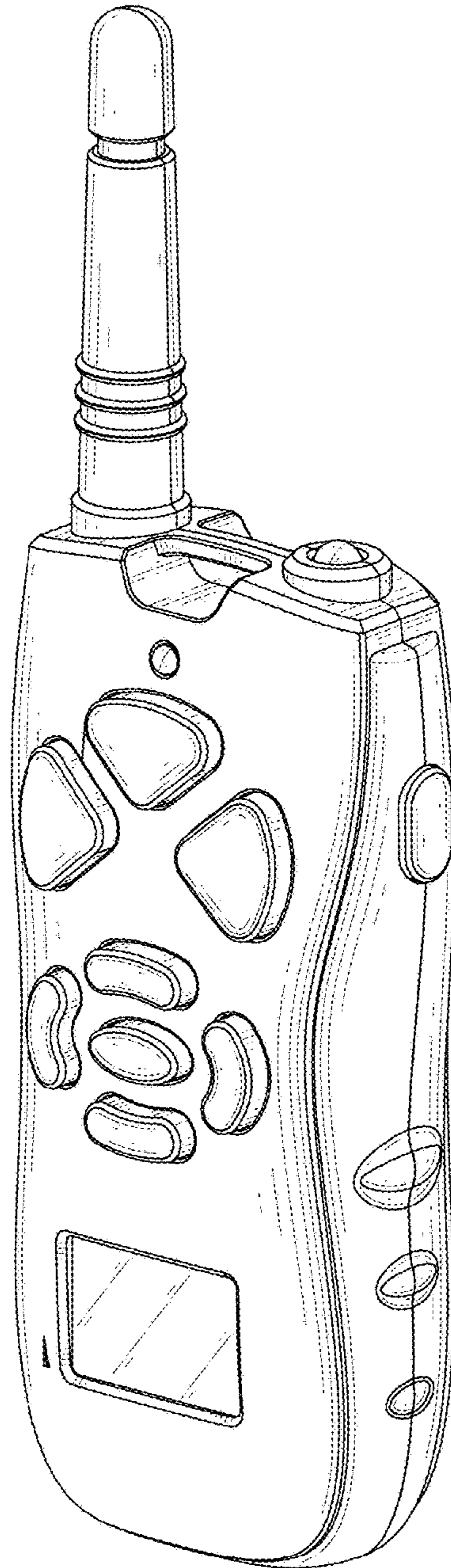


FIG. 1

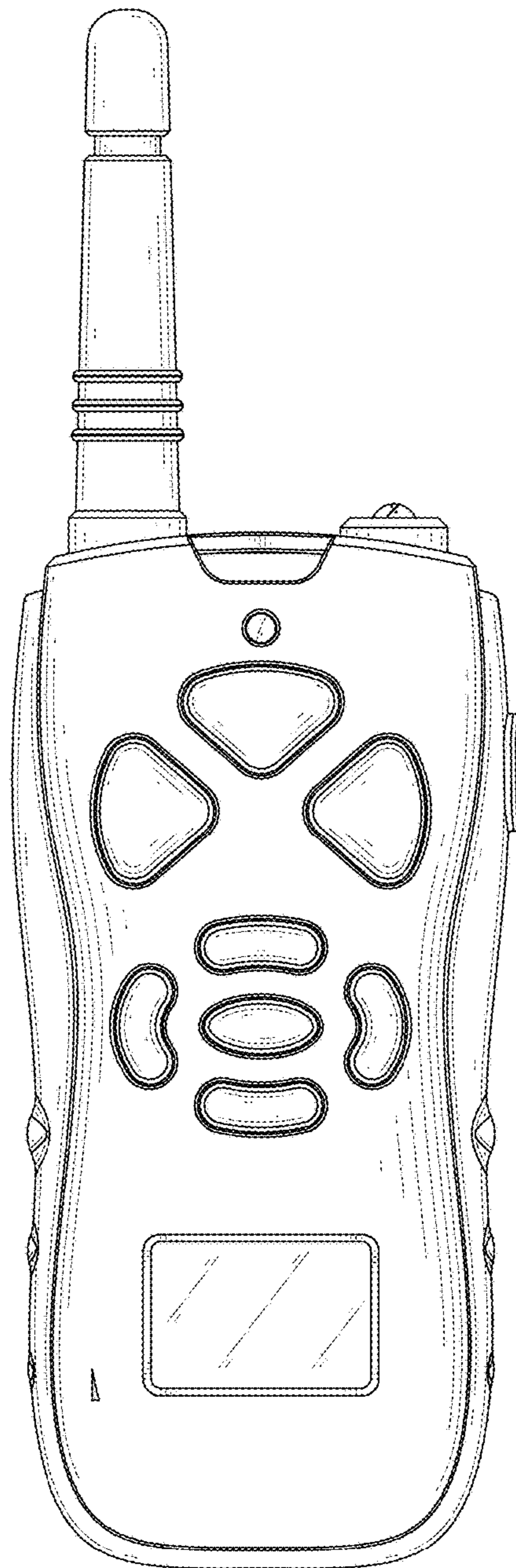


FIG. 2

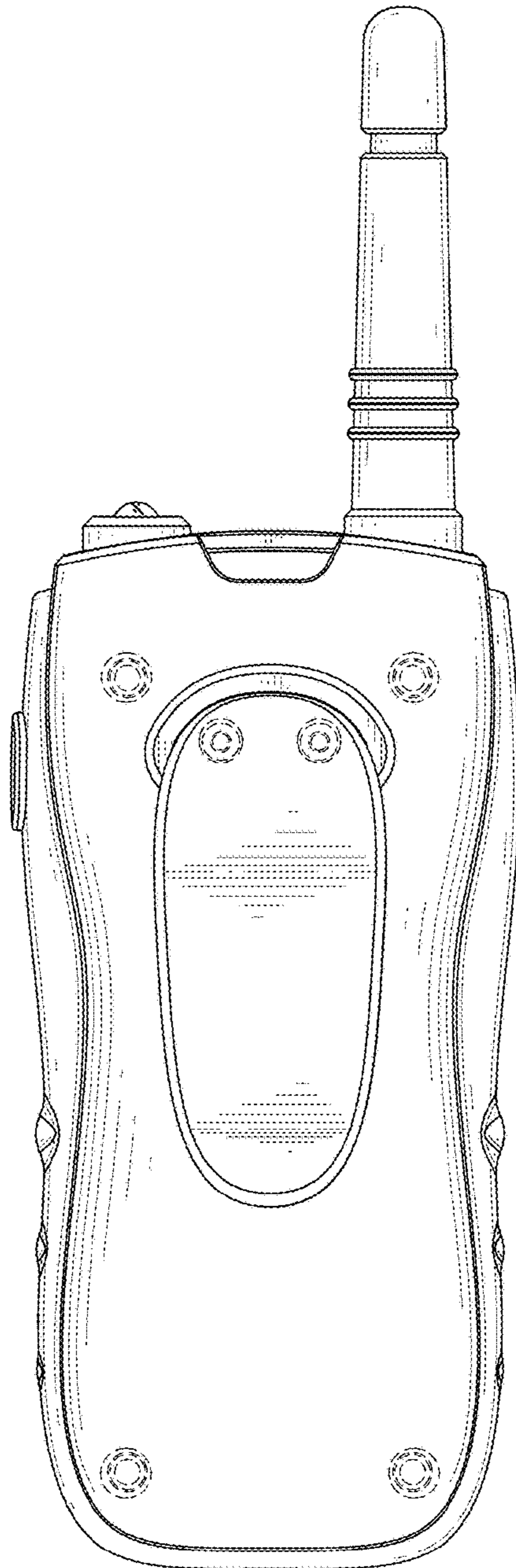


FIG. 3



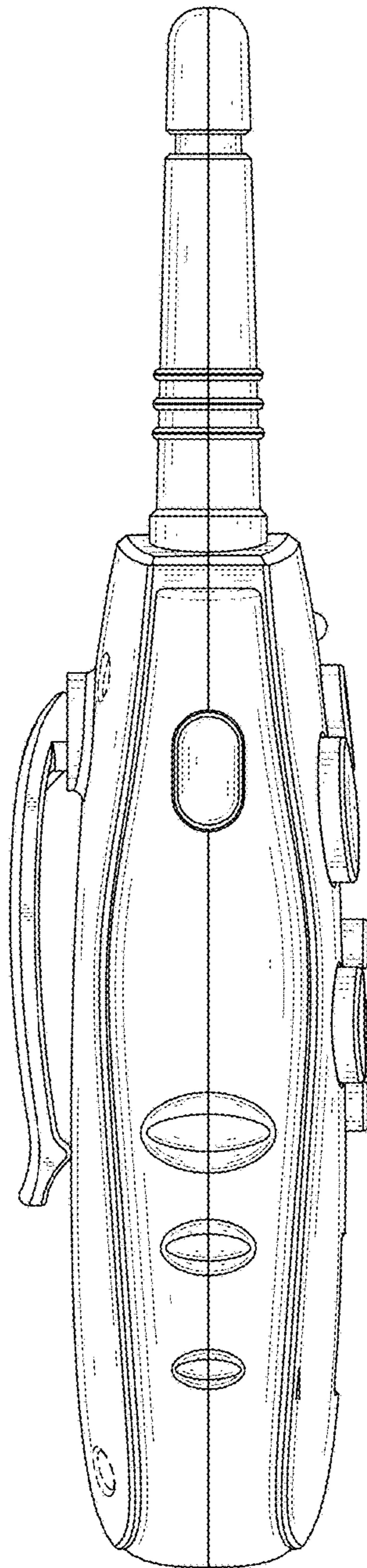


FIG. 4

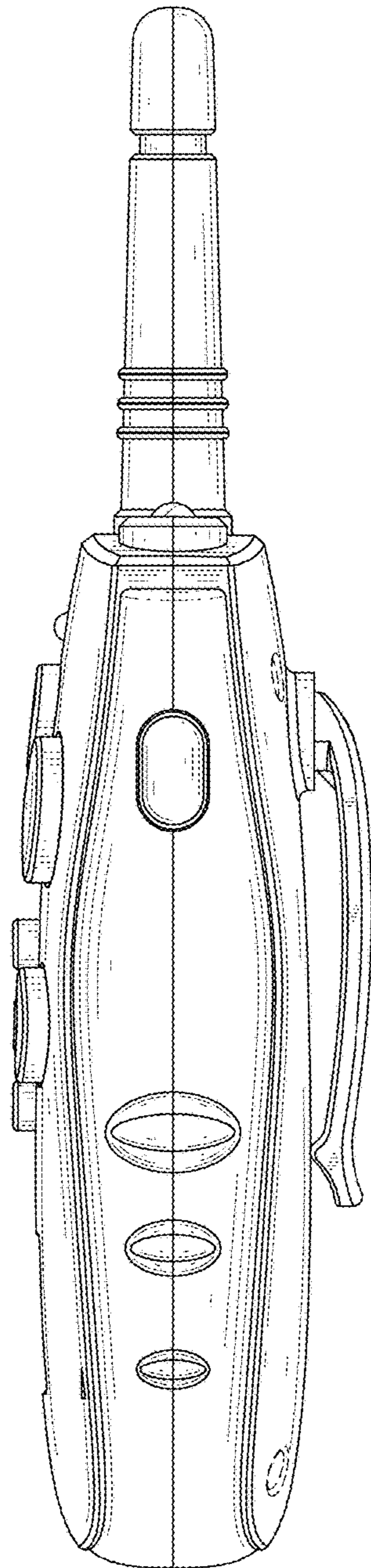


FIG. 5

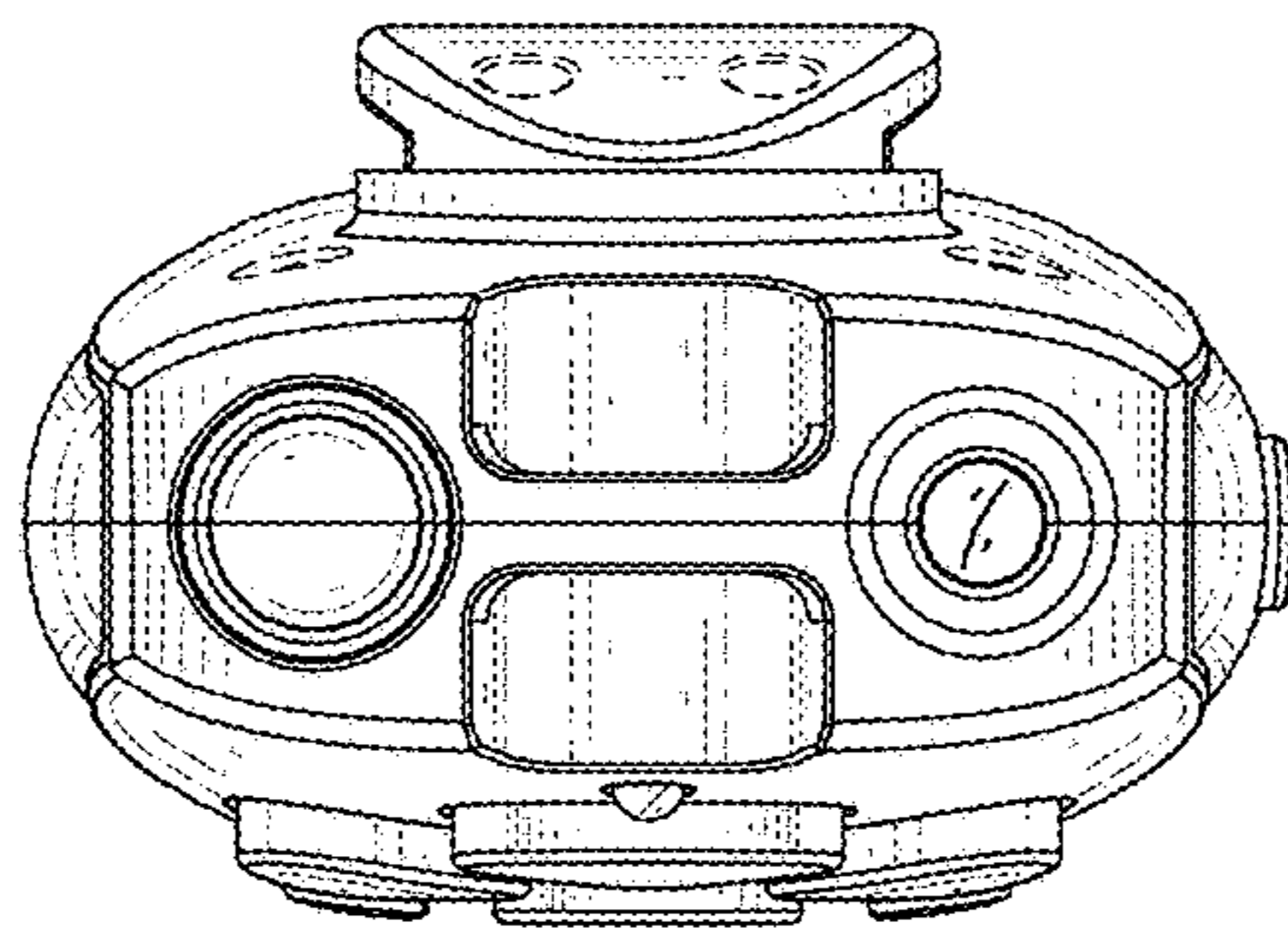


FIG. 6

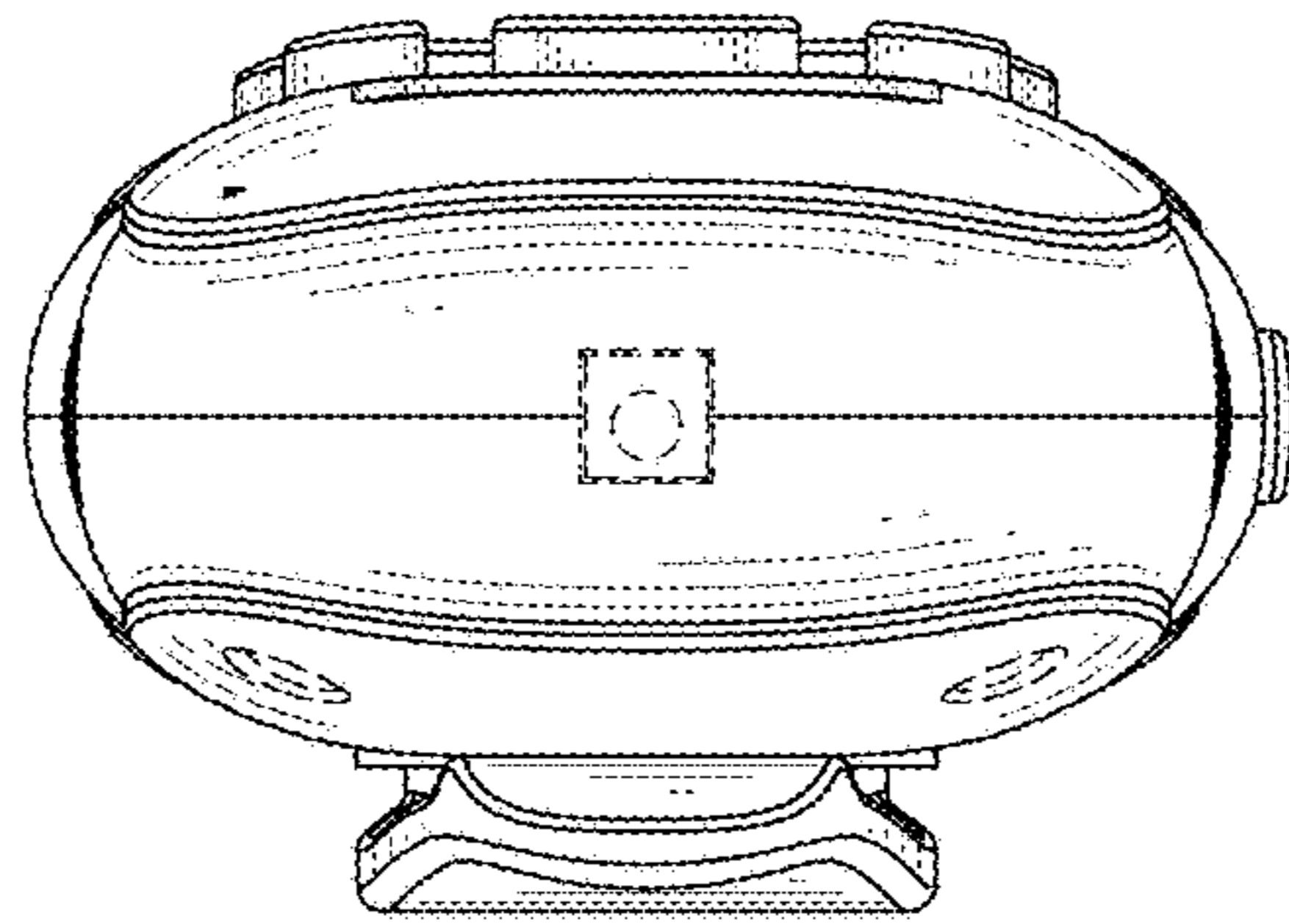


FIG. 7