



US00D904697S

(12) **United States Design Patent** (10) **Patent No.:** **US D904,697 S**
Jammal (45) **Date of Patent:** **** Dec. 8, 2020**

(54) **DOG TETHER STAKE**
(71) Applicant: **Jamlech Pty Ltd**, Baulkham Hills (AU)
(72) Inventor: **Anthony Jammal**, Baulkham Hills (AU)
(73) Assignee: **Jamiech Pty Ltd.**, Baulkham Hills (AU)
(**) Term: **15 Years**

10,375,926 B2 * 8/2019 Groff A01K 1/04
D868,396 S * 11/2019 Gilmer D30/154
D887,078 S * 6/2020 Mullen D26/138
2002/0066417 A1 6/2002 Frazer et al.
2007/0181079 A1 8/2007 Fong
2008/0072845 A1* 3/2008 Head A01K 1/04
119/789
2008/0163915 A1 7/2008 Wobrock
2010/0224139 A1* 9/2010 Krieger A01K 29/00
119/780
2015/0327509 A1* 11/2015 Hickling A01K 1/04
119/786

(21) Appl. No.: **29/671,003**
(22) Filed: **Nov. 21, 2018**
(51) **LOC (12) Cl.** **30-09**
(52) **U.S. Cl.**
USPC **D30/154**
(58) **Field of Classification Search**
USPC D30/144, 151, 153, 154, 199; D21/840;
D8/44, 358
CPC A01K 1/04
See application file for complete search history.

OTHER PUBLICATIONS

“Hyper Pet Pooch Post”. Found online Jun. 17, 2016 at mymindwontstop.blogspot.com. Reference dated Oct. 21, 2012. Retrieved from <http://mymindwontstop.blogspot.com/2012/10/hyper-pet-pooch-post.html>.*

(Continued)

Primary Examiner — Kendra Leslie Hamilton
(74) *Attorney, Agent, or Firm* — Eric Karich; Karich & Associates

(56) **References Cited**

U.S. PATENT DOCUMENTS

2,472,926 A 12/1945 Sullivan
2,790,419 A 4/1957 Sullivan
3,508,525 A 4/1970 Sawyer
D245,032 S * 7/1977 Hoffmann D30/154
D250,281 S * 11/1978 Laukhuf D7/602
4,620,506 A 11/1986 Stubbs
D477,118 S * 7/2003 Kirch 119/787
6,606,829 B2 8/2003 Benincasa et al.
6,854,531 B2 2/2005 Jubinville
7,234,417 B2 6/2007 Laird
D565,257 S * 3/2008 Cusick D30/199
D632,442 S * 2/2011 Beck D30/154
D679,457 S * 4/2013 Chance D30/154
D839,696 S * 2/2019 Riddle D21/840

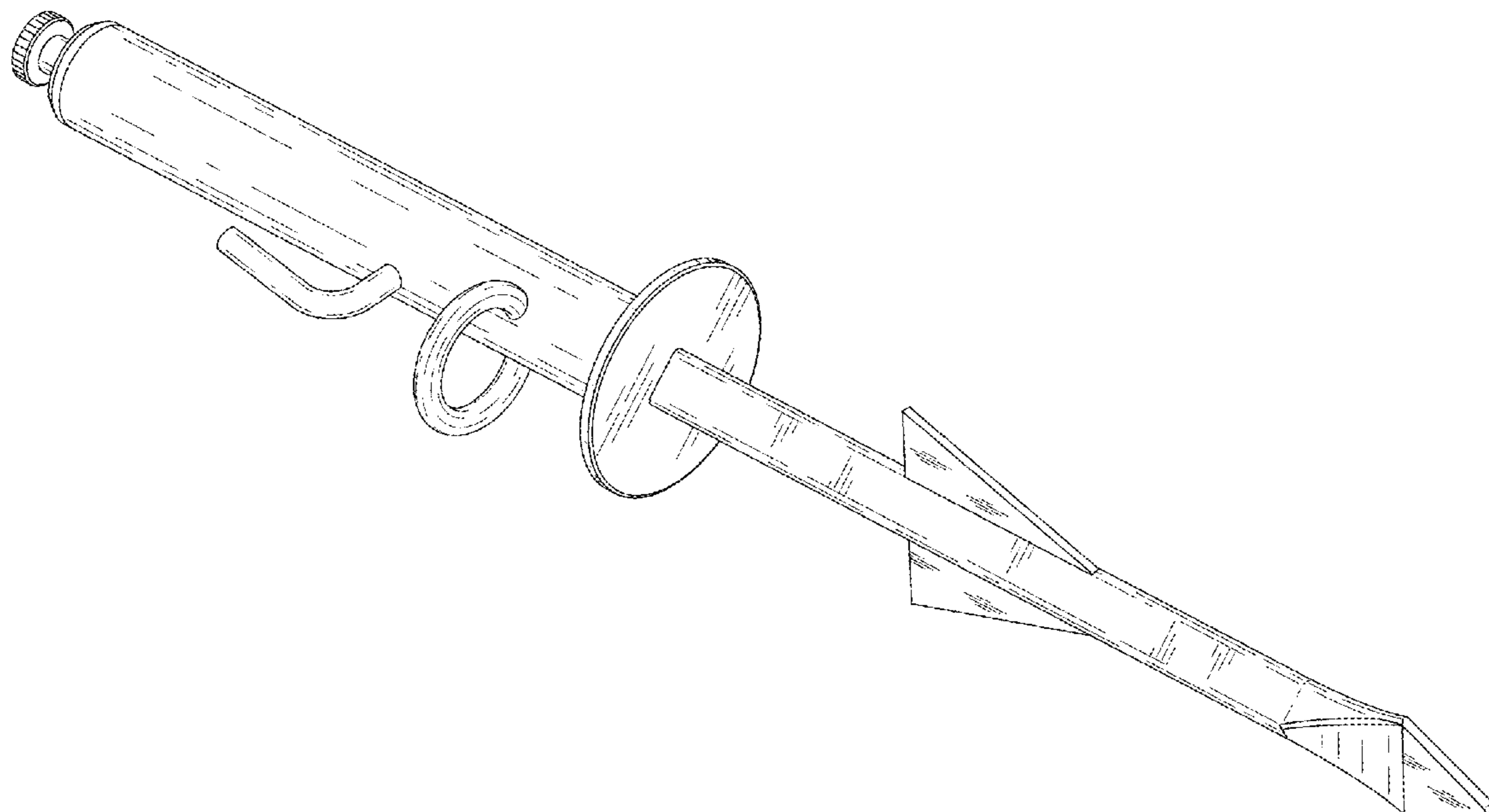
(57) **CLAIM**

The ornamental design for a dog tether stake, as shown and described.

DESCRIPTION

FIG. 1 is a top, rear, right perspective view of a dog tether stake, showing my new design;
FIG. 2 is a front elevation view thereof;
FIG. 3 is a rear elevation view thereof;
FIG. 4 is a left side elevation view thereof;
FIG. 5 is a right side elevation view thereof;
FIG. 6 is a top plan view thereof; and,
FIG. 7 is a bottom plan view thereof.

1 Claim, 3 Drawing Sheets



(56)

References Cited

OTHER PUBLICATIONS

“Stout Stuff Stout Stake”. Found online Jul. 12, 2019 at walmart.com. Reference dated Dec. 4, 2011. Retrieved from <https://www.walmart.com/ip/Stout-Stuff-Stout-Stake-1/14711362>.*

“Pets-at-Play: Metal Screw-In Dog Lead Stake”. Found online Jun. 17, 2016 at amazon.co.uk. Page dated May 22, 2008. Retrieved from <https://www.amazon.co.uk/Metal-Screw-In-Dog-Lead-Stake/dp/B001A2XG7G>.*

* cited by examiner

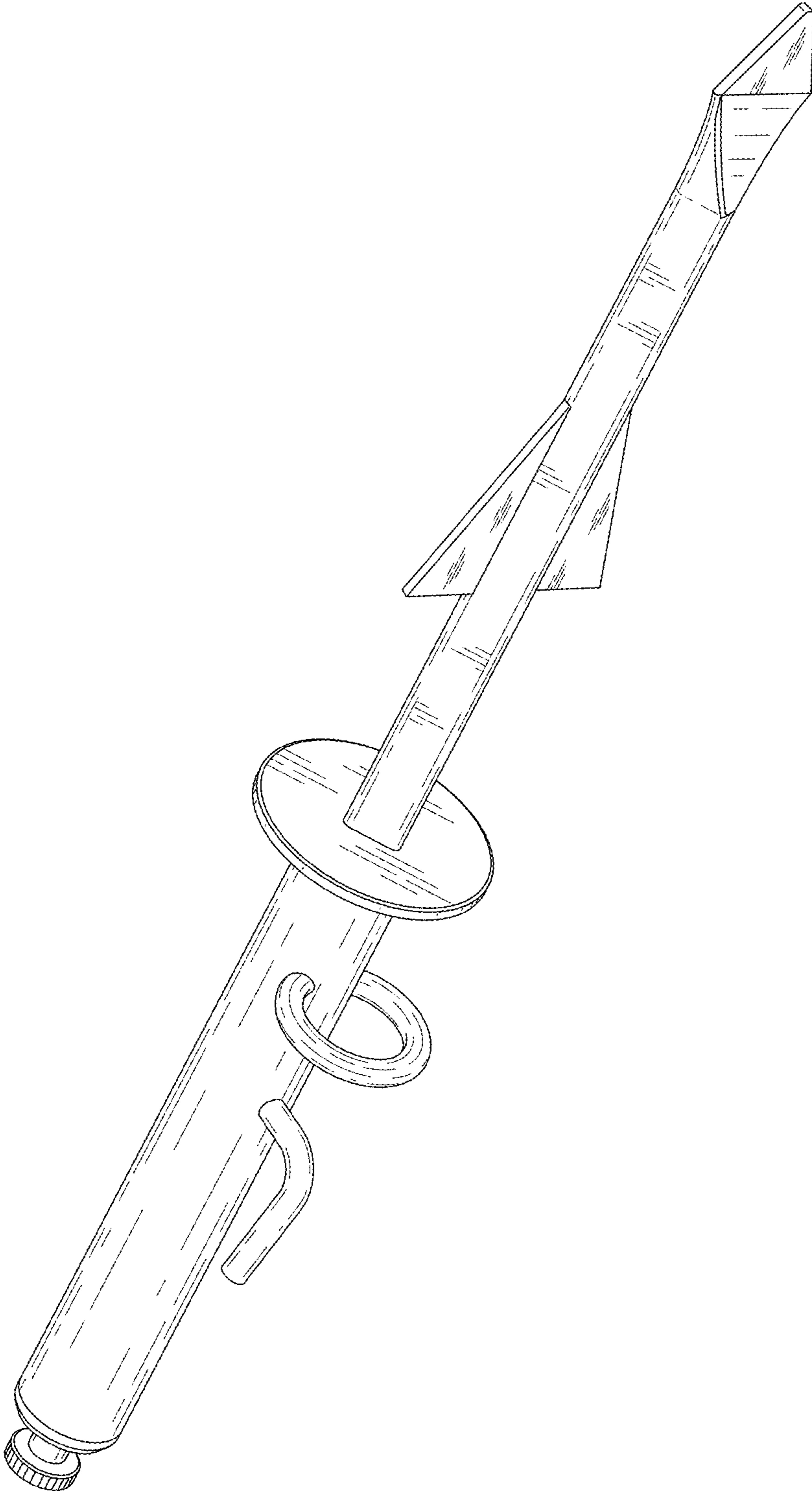


Fig. 1

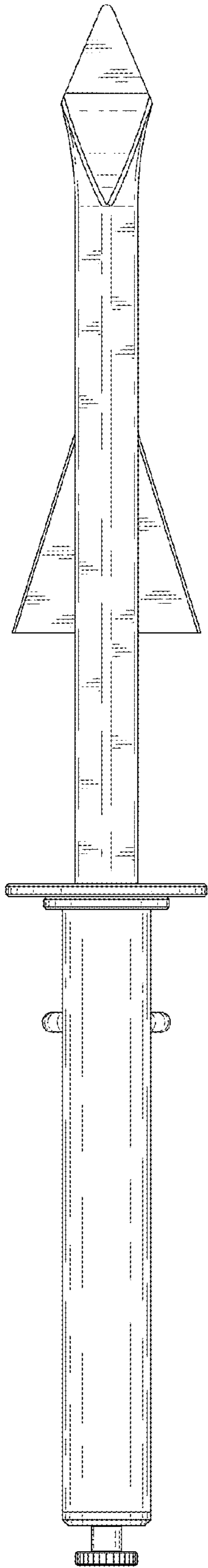


Fig. 2

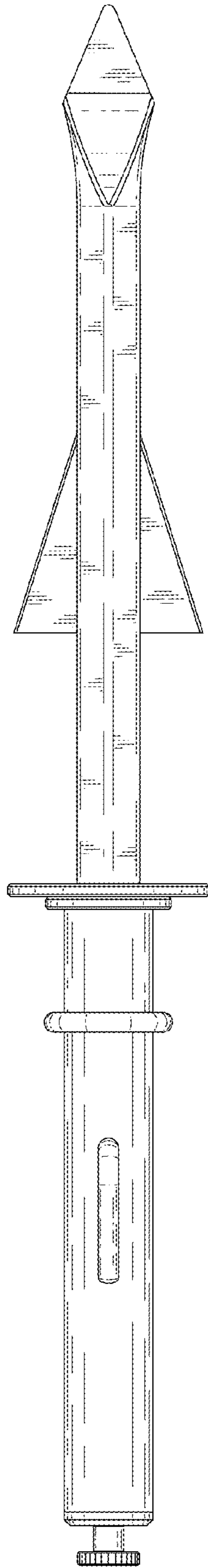


Fig. 3

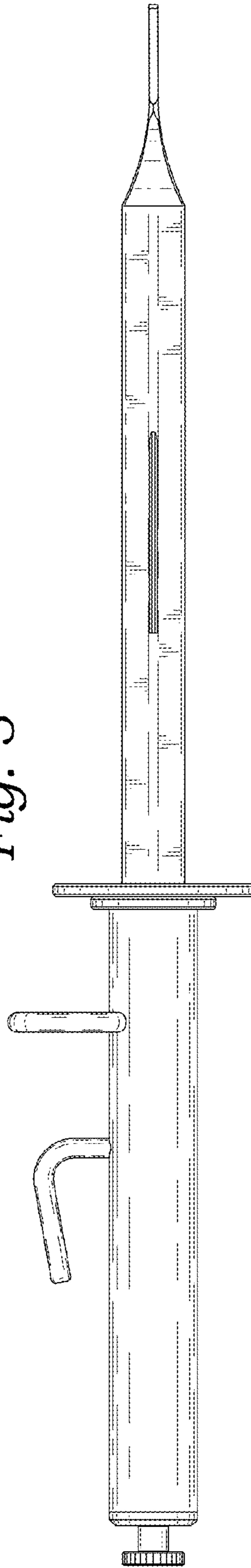


Fig. 4

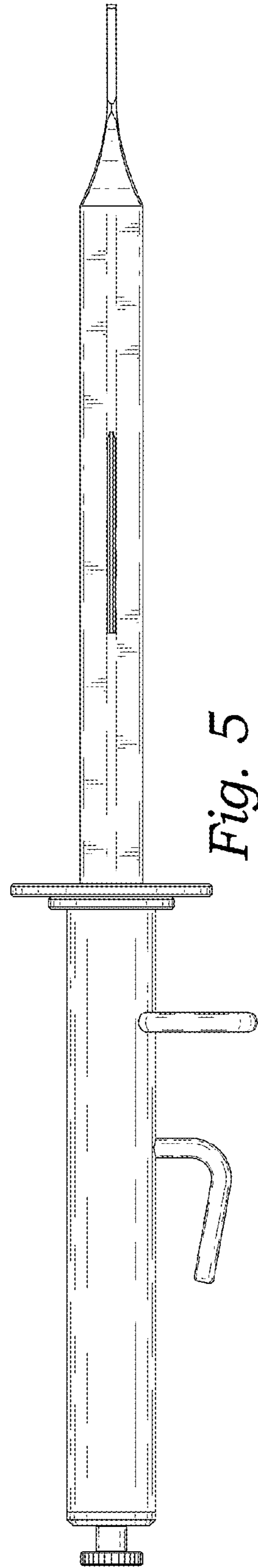


Fig. 5

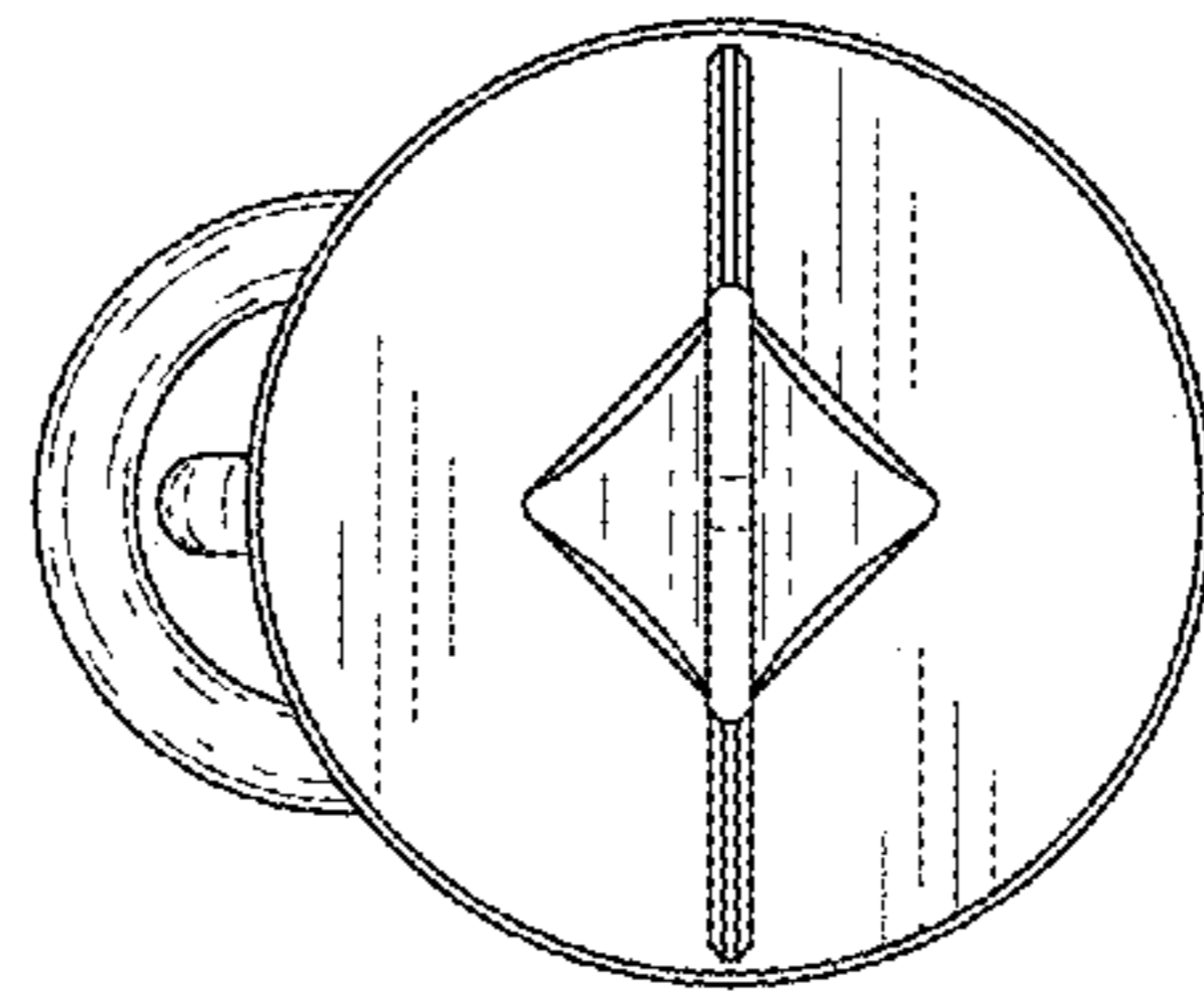


Fig. 6

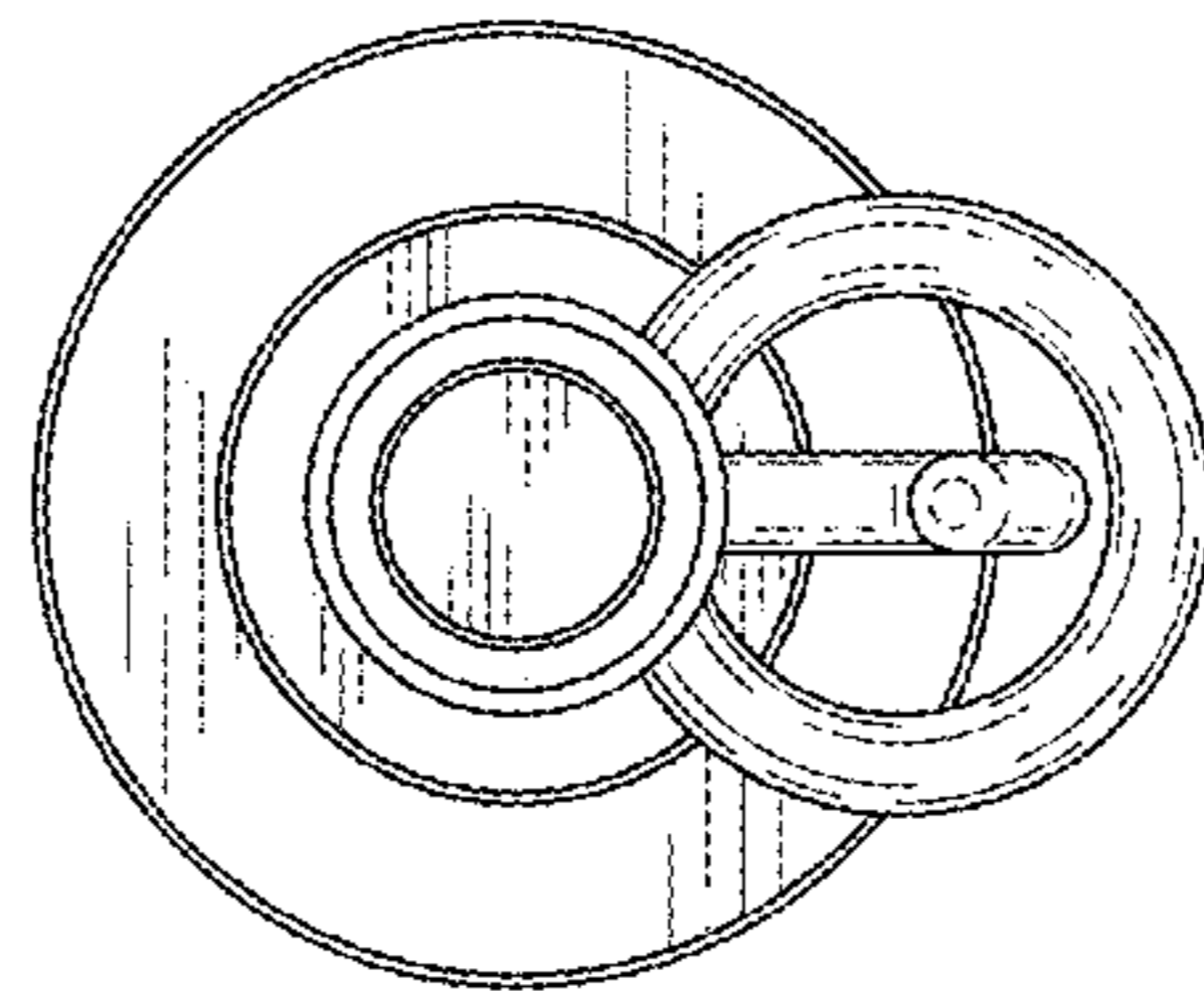


Fig. 7