



US00D904696S

(12) **United States Design Patent**
Xu

(10) **Patent No.:** **US D904,696 S**
(45) **Date of Patent:** **** Dec. 8, 2020**

(54) **PET BOWL**

(71) Applicant: **Peng Xu**, Qinyang (CN)

(72) Inventor: **Peng Xu**, Qinyang (CN)

(**) Term: **15 Years**

(21) Appl. No.: **29/700,637**

(22) Filed: **Aug. 5, 2019**

(30) **Foreign Application Priority Data**

Apr. 19, 2019 (CN) 2019 3 0182357

(51) **LOC (12) Cl.** **30-03**

(52) **U.S. Cl.**
USPC **D30/129**

(58) **Field of Classification Search**
USPC D30/121, 129, 130, 131, 132, 133, 199;
119/51.01, 51.1, 52.1, 61.1, 61.51, 61.55,
119/61.5, 61.56
CPC A01K 5/00; A01K 5/0121; A01K 5/0135;
A01K 7/005

See application file for complete search history.

(56) **References Cited**

U.S. PATENT DOCUMENTS

D303,441 S * 9/1989 Keller D30/129
D541,994 S * 5/2007 Dana D30/129

D683,592 S * 6/2013 Shields D7/544
D762,017 S * 7/2016 Tsengas A01K 5/0114
D30/129
D772,493 S * 11/2016 Wu D30/129

* cited by examiner

Primary Examiner — Garth Rademaker
Assistant Examiner — Katrina N Gonzalez
(74) *Attorney, Agent, or Firm* — ZANIP

(57) **CLAIM**

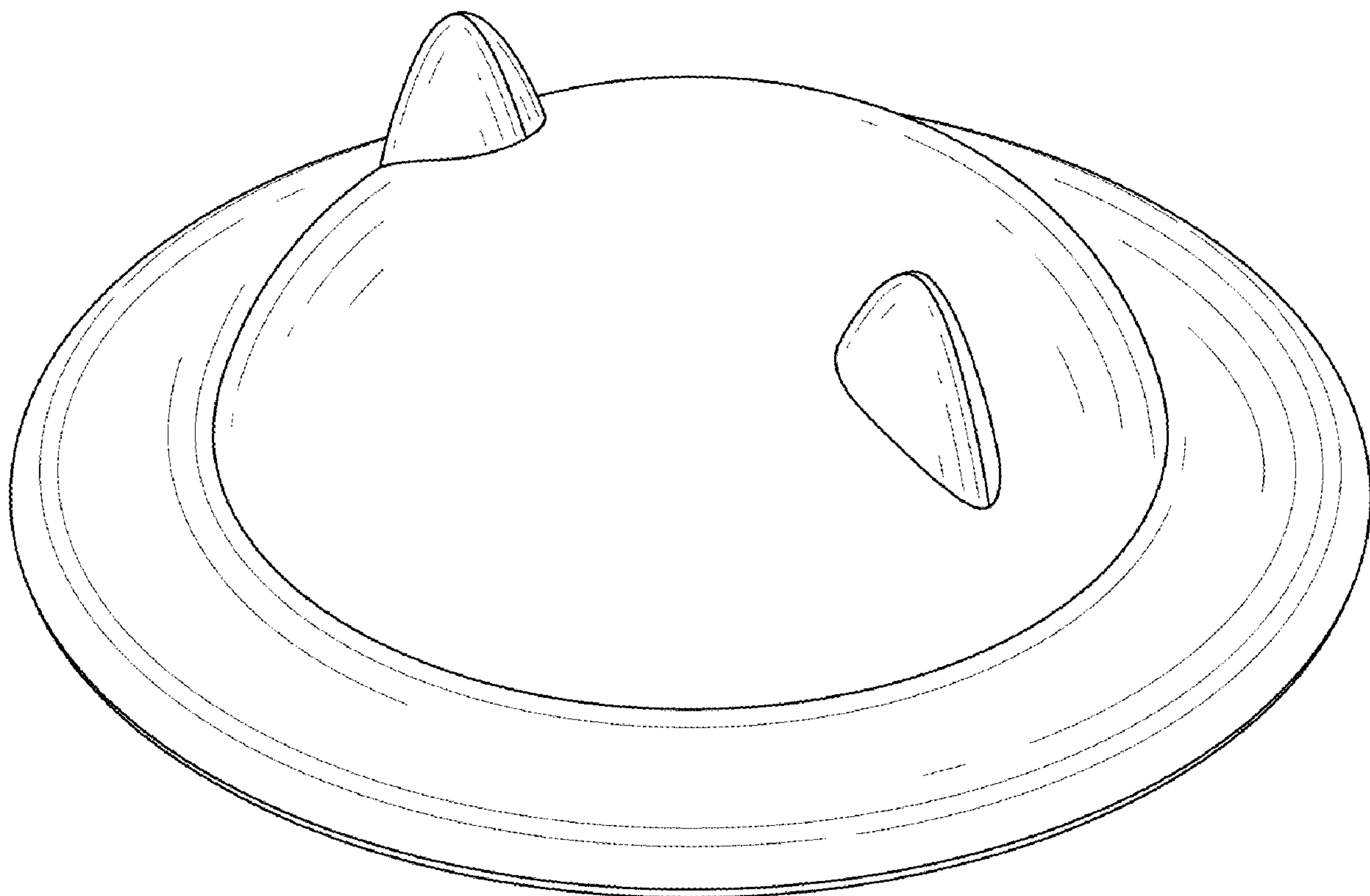
The ornamental design for a pet bowl, as shown and described.

DESCRIPTION

FIG. 1 is a top perspective view of a pet bowl showing my new design;
FIG. 2 is a bottom perspective view thereof;
FIG. 3 is a front view thereof;
FIG. 4 is a back view thereof;
FIG. 5 is a left side view thereof;
FIG. 6 is a right side view thereof;
FIG. 7 is a top view thereof; and,
FIG. 8 is a bottom view thereof.

The broken lines in the figures illustrate portions of the pet bowl that form no part of the claimed design.

1 Claim, 8 Drawing Sheets



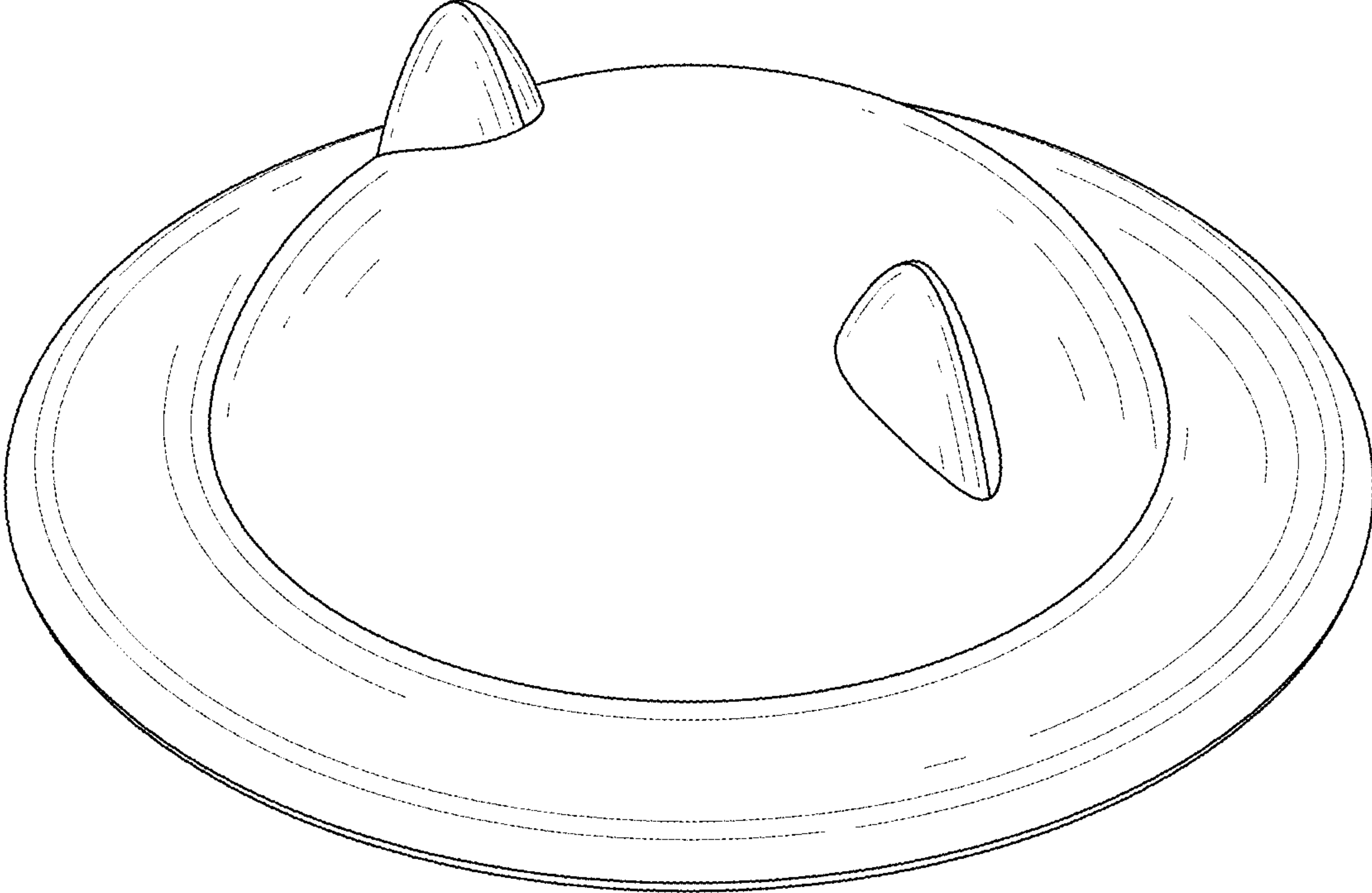


FIG. 1

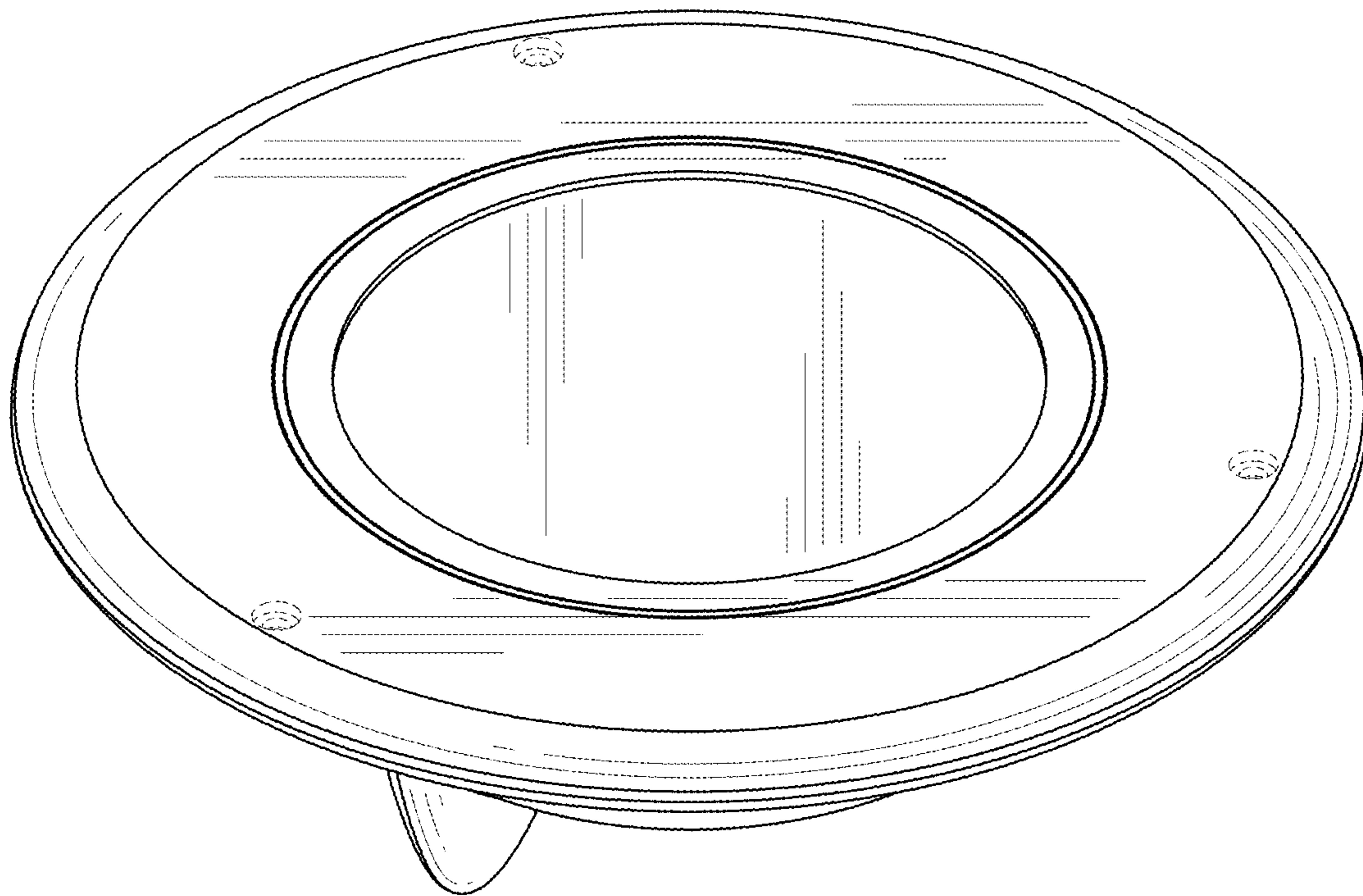


FIG. 2

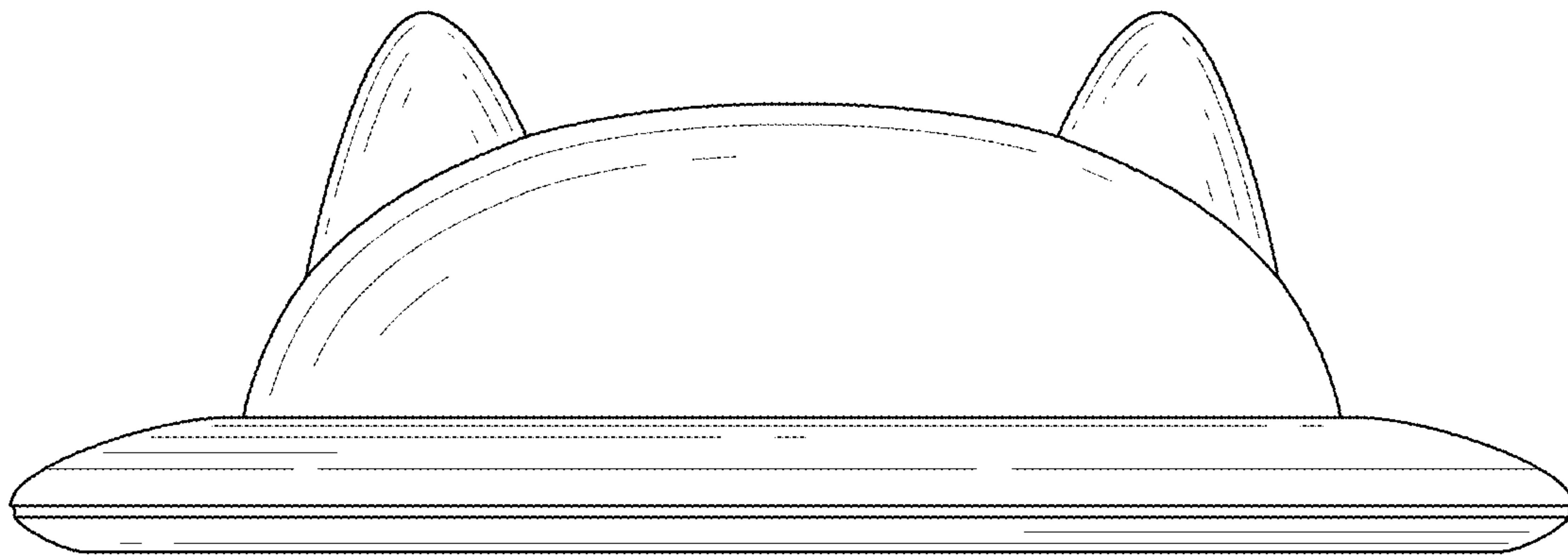


FIG. 3

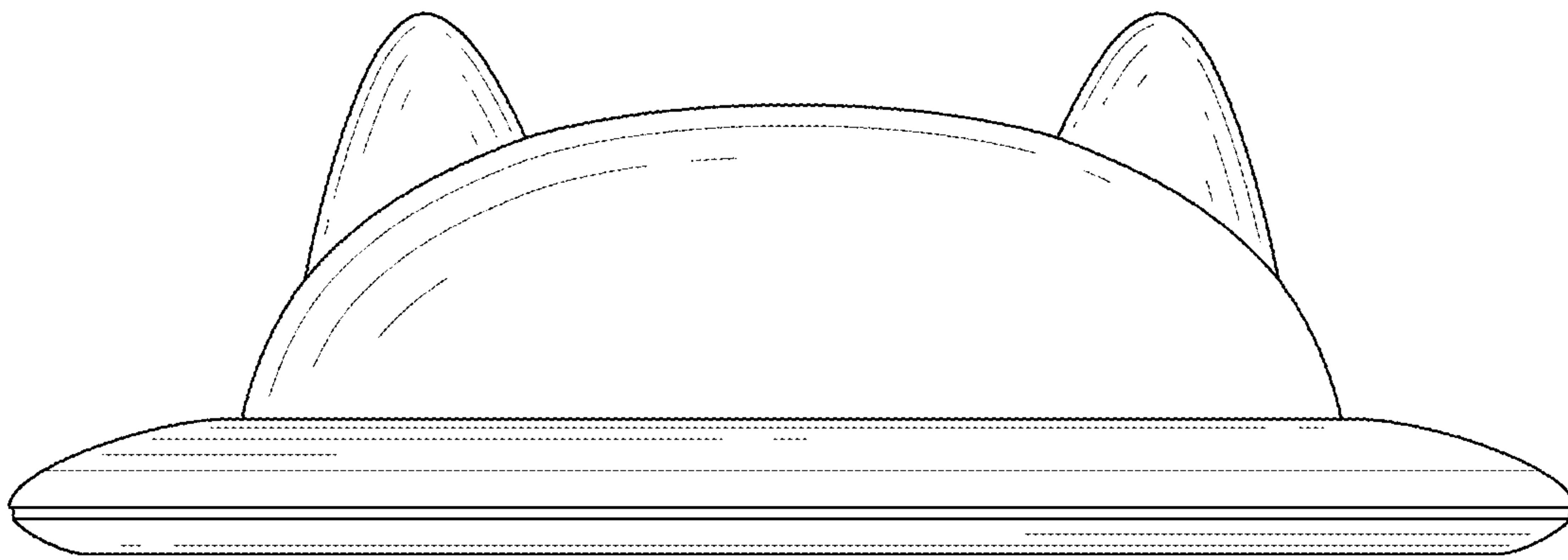


FIG. 4

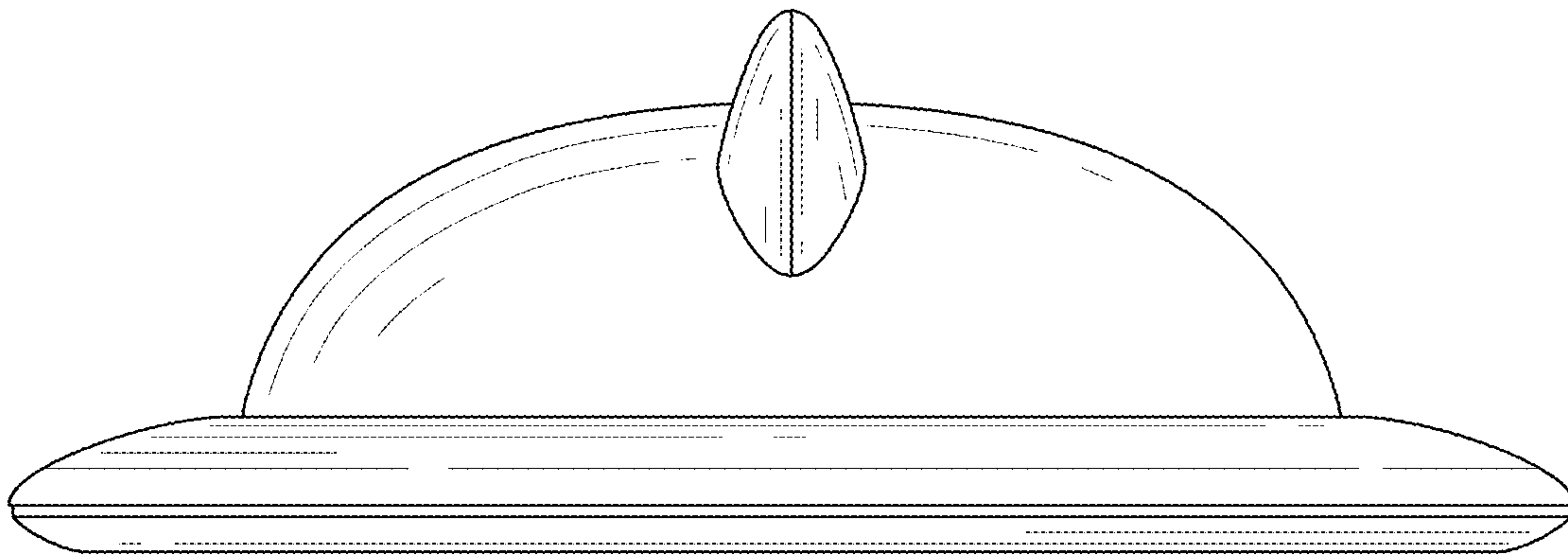


FIG. 5

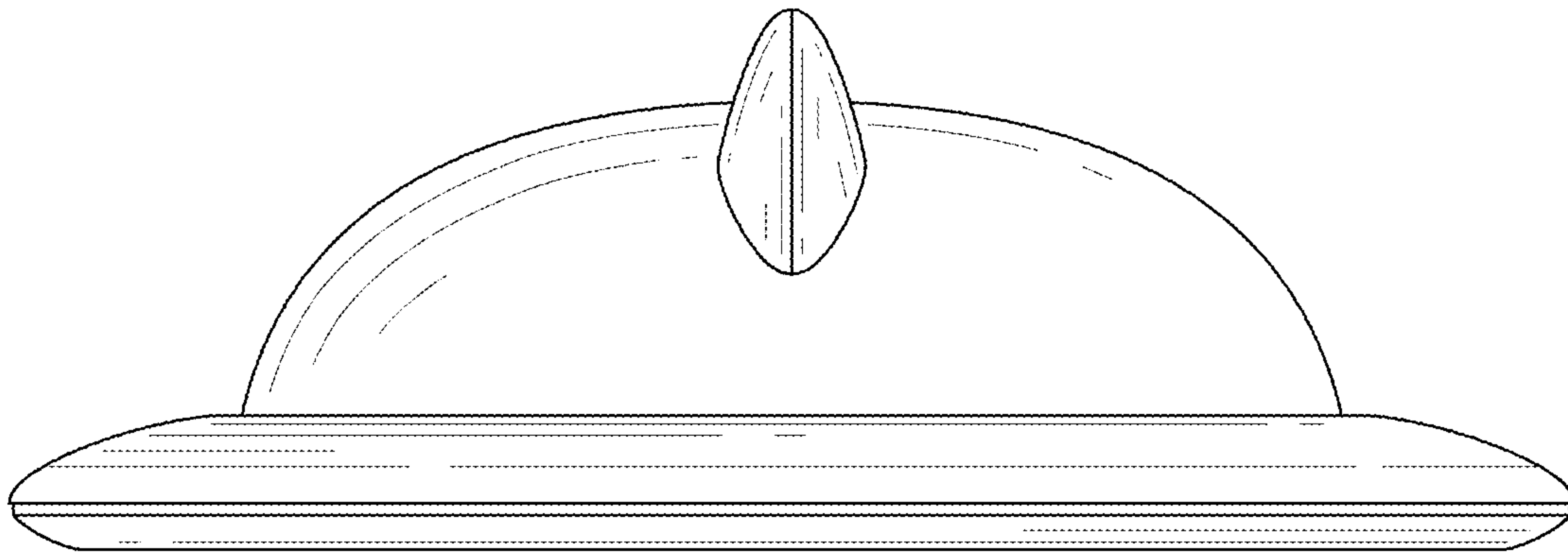


FIG. 6

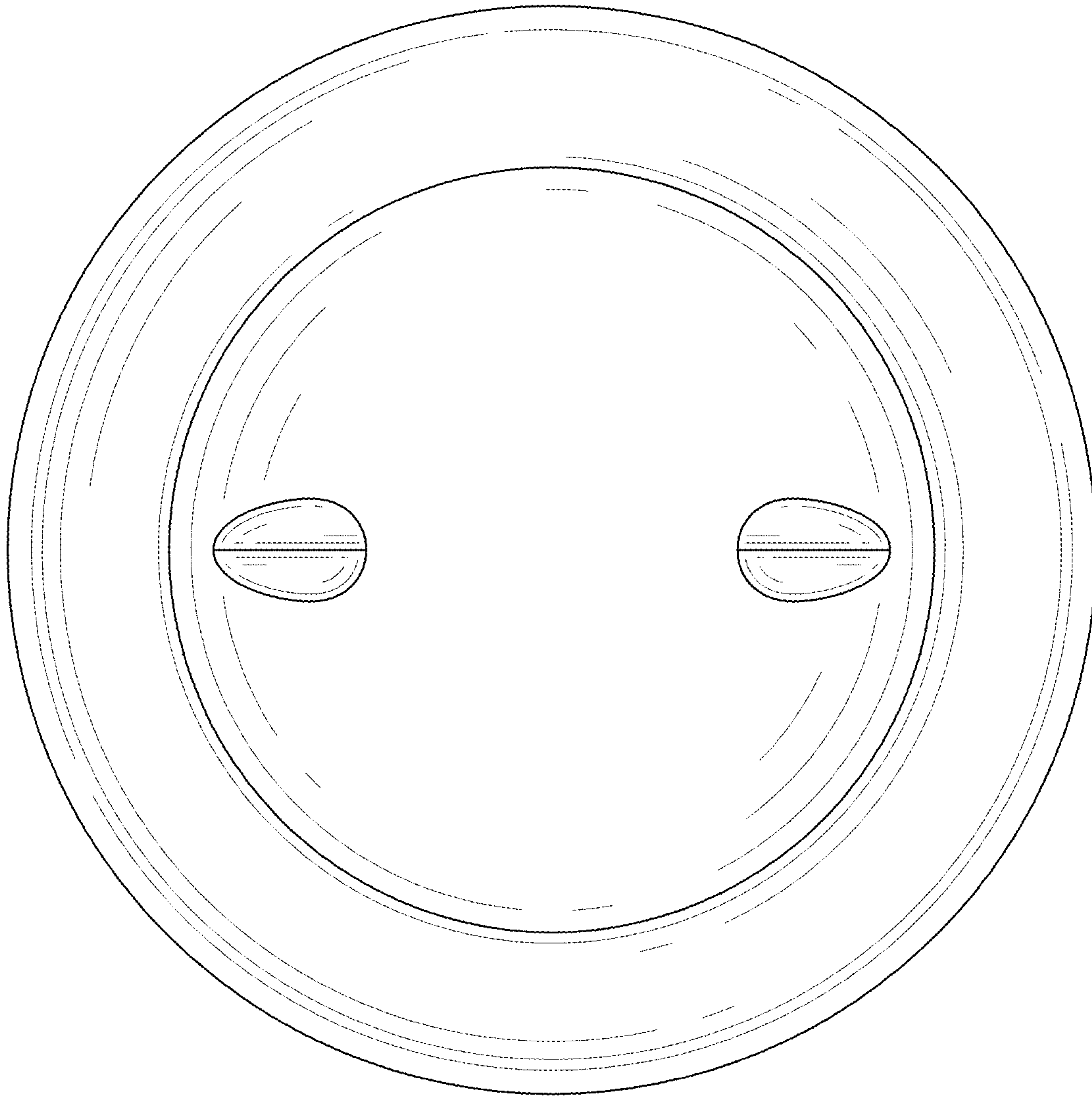


FIG. 7

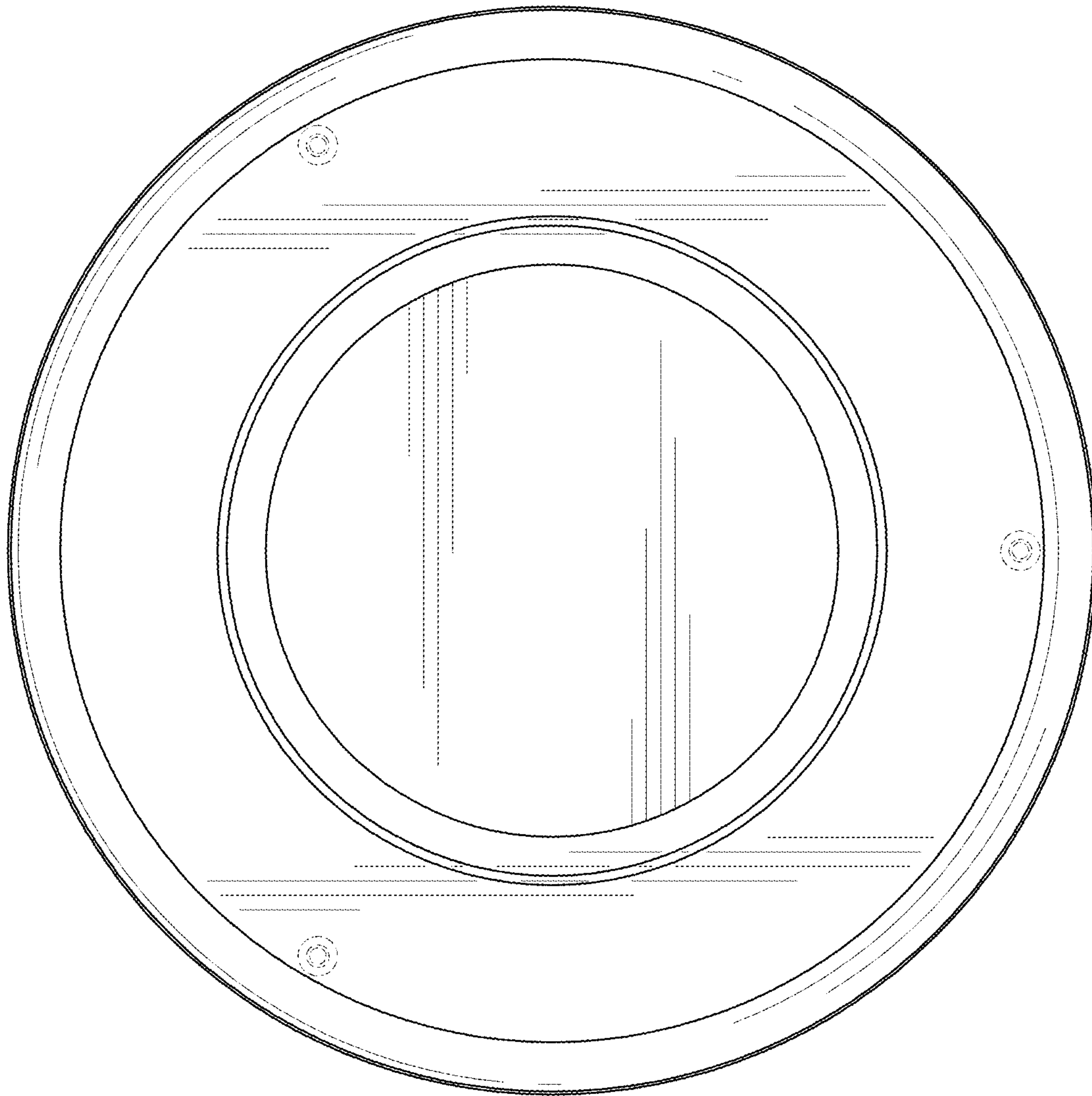


FIG. 8