



US00D904693S

(12) **United States Design Patent** (10) **Patent No.:** **US D904,693 S**
Liang (45) **Date of Patent:** **** Dec. 8, 2020**

- (54) **GLOVE**
- (71) Applicant: **SHENZHEN HONGFU YA TRADE CO., LTD.**, Shenzhen (CN)
- (72) Inventor: **Huifang Liang**, Changde (CN)
- (73) Assignee: **SHENZHEN HONGFU YA TRADE CO., LTD.**, Shenzhen (CN)
- (**) Term: **15 Years**
- (21) Appl. No.: **29/676,692**
- (22) Filed: **Jan. 14, 2019**
- (51) **LOC (12) Cl.** **02-06**
- (52) **U.S. Cl.**
USPC **D29/117.1**
- (58) **Field of Classification Search**
USPC D29/113, 118, 117.1, 117.2; D2/617, D2/619
CPC A41D 19/015; A41D 2600/20
See application file for complete search history.

D824,598 S * 7/2018 Wong D29/117.1
 D866,871 S * 11/2019 Hong D29/117.1
 2005/0010990 A1* 1/2005 Jang A41D 19/01529
 2/161.6

OTHER PUBLICATIONS

DOURR Tig Welding Gloves, posted at amazon.com, posting date Jun. 25, 2018, [online], [site visited Apr. 7, 2020]. Available from Internet, URL: <https://www.amazon.com/Welding-DOURR-Resistant-Fireplace-Handyman/dp/B07F14G1ML> (Year: 2018).*

OZERO Heat Resistant Forge Welding Gloves, posted at amazon.com, posting date by Jun. 12, 2017, [online], [site visited Apr. 7, 2020]. Available from Internet, URL: OZERO Heat Resistant Forge Welding Gloves (Year: 2017).*

* cited by examiner

Primary Examiner — George D. Kirschbaum
Assistant Examiner — Maria J Edwards
 (74) *Attorney, Agent, or Firm* — Juan Carlos A. Marquez; Marquez IP Law Office, PLLC

(57) **CLAIM**

The ornamental design for a glove, as shown and described.

DESCRIPTION

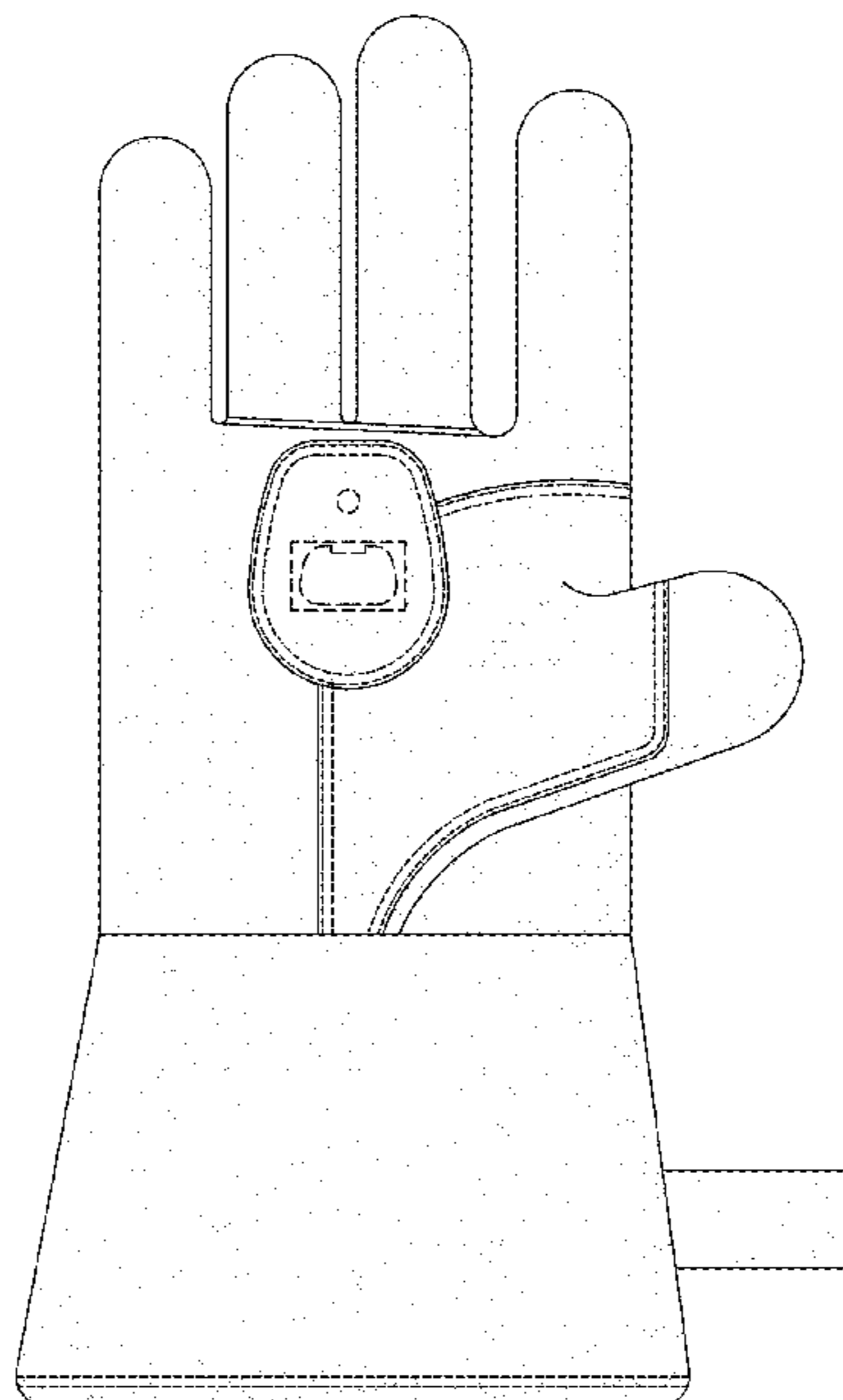
FIG. 1 is a front view of a glove, showing my new design; FIG. 2 is a rear view thereof; FIG. 3 is a left-side view thereof; FIG. 4 is a right-side view thereof; FIG. 5 is a top view thereof; FIG. 6 is a bottom view thereof; and, FIG. 7 is a front plan view thereof, wherein a thumb is folded flat toward a pinky finger. The short dash and long dash broken lines on the drawings depict portions of the glove that form no part of the claimed design.

1 Claim, 5 Drawing Sheets

(56) **References Cited**

U.S. PATENT DOCUMENTS

- D57,279 S * 3/1921 Seely D29/117.1
- 1,637,181 A * 7/1927 Gillian A41D 19/02
2/161.8
- 2,425,129 A * 8/1947 Seidel A41D 19/02
2/161.6
- 2,650,365 A * 9/1953 Singer A41D 19/01529
2/167
- 3,259,914 A * 7/1966 Johnson A41D 19/01541
2/8.1
- 5,369,806 A * 12/1994 Chan A41D 31/085
2/161.6
- D651,358 S * 12/2011 Bulan D29/117.1
- D779,129 S * 2/2017 Mathias D29/117.1
- D804,103 S * 11/2017 Wong D29/117.1



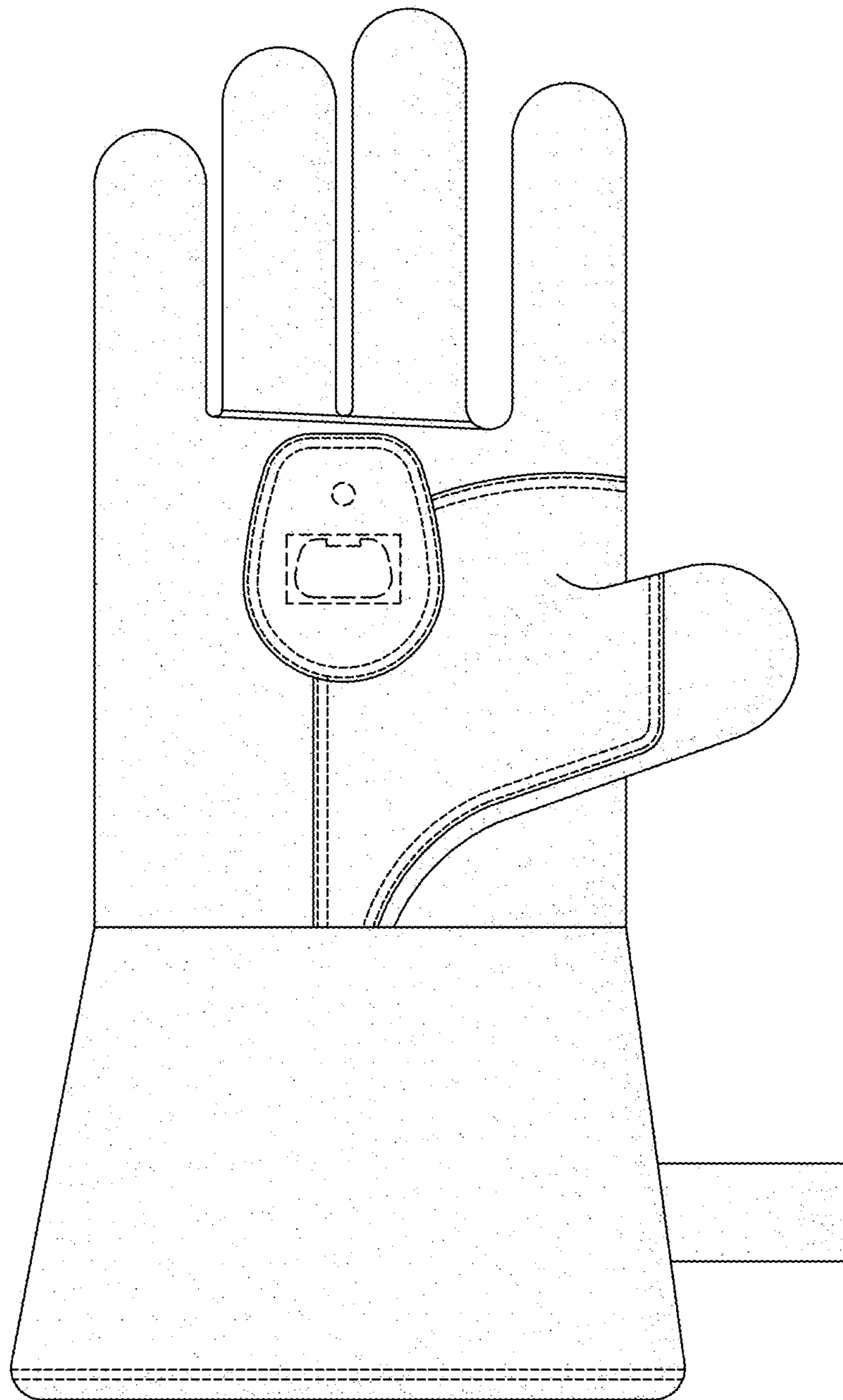


FIG. 1

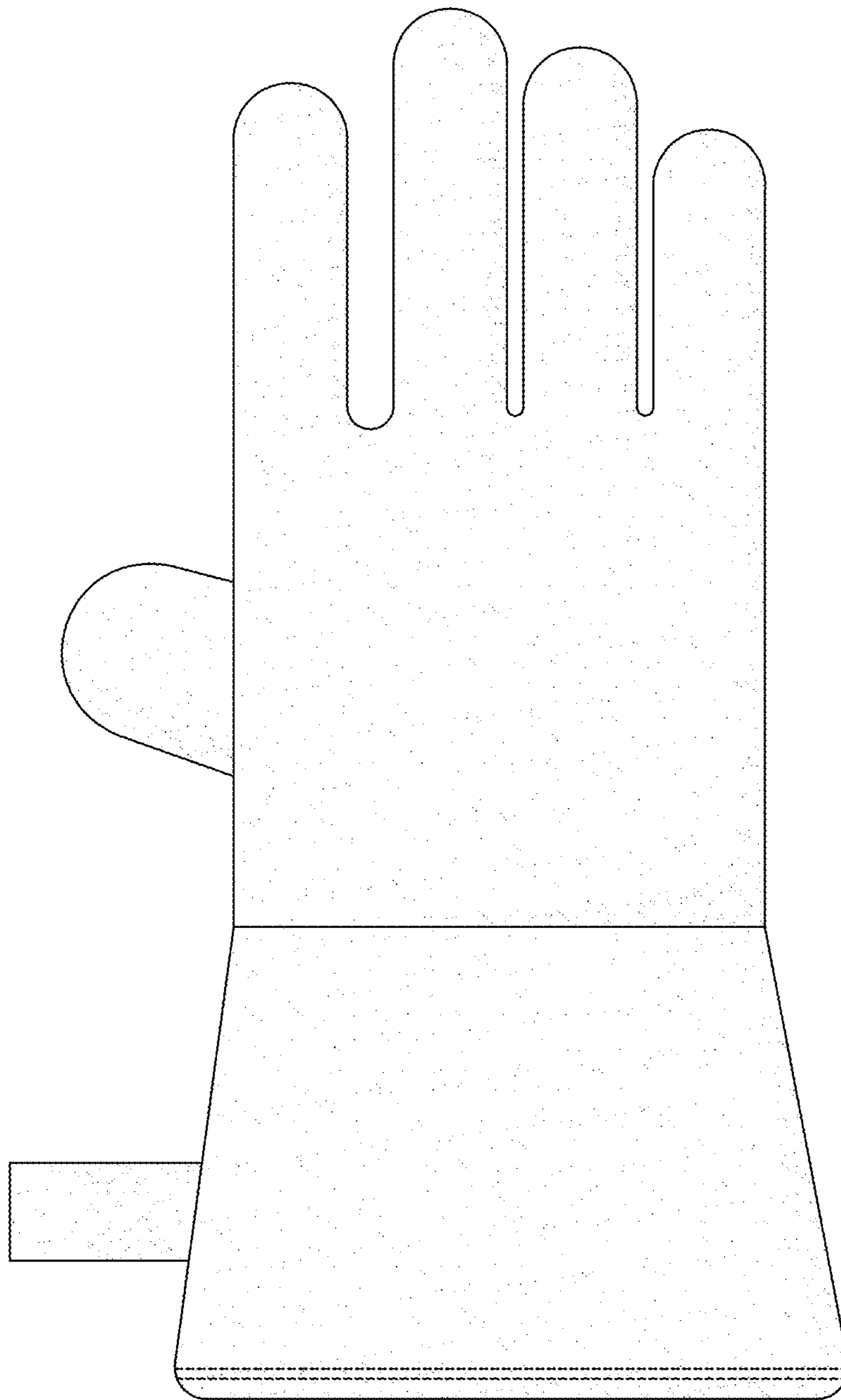


FIG. 2

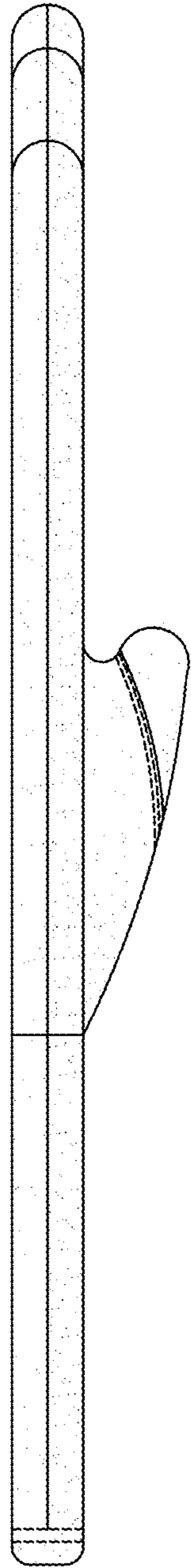


FIG. 3

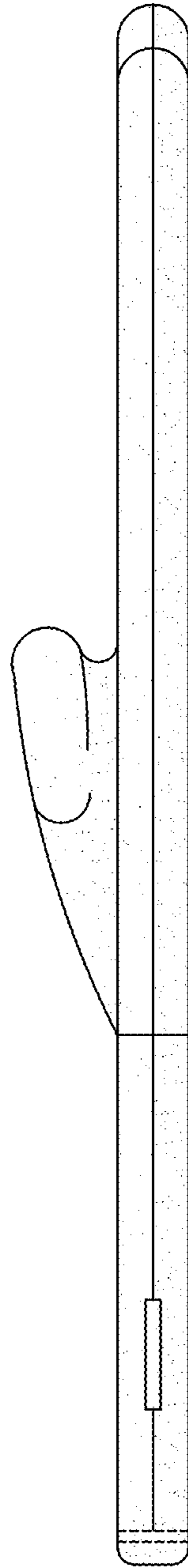


FIG. 4

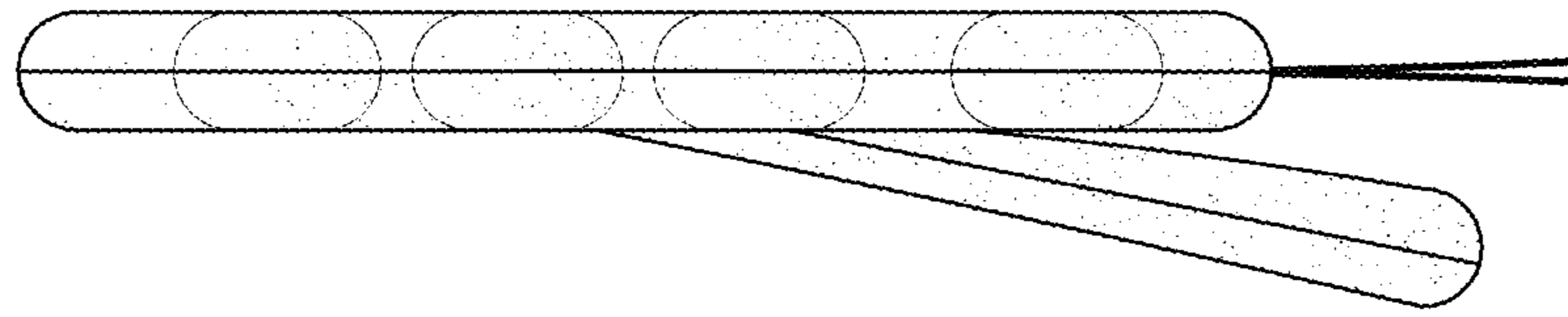


FIG. 5

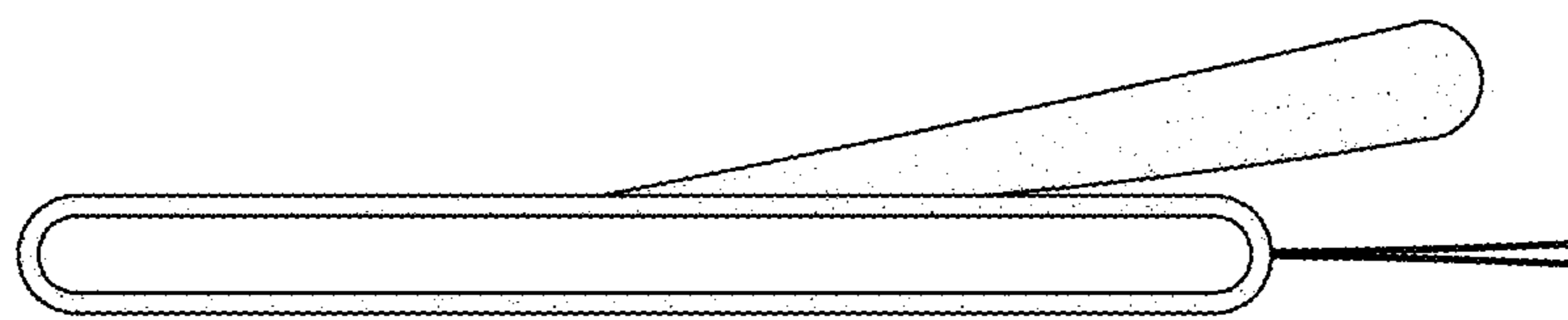


FIG. 6

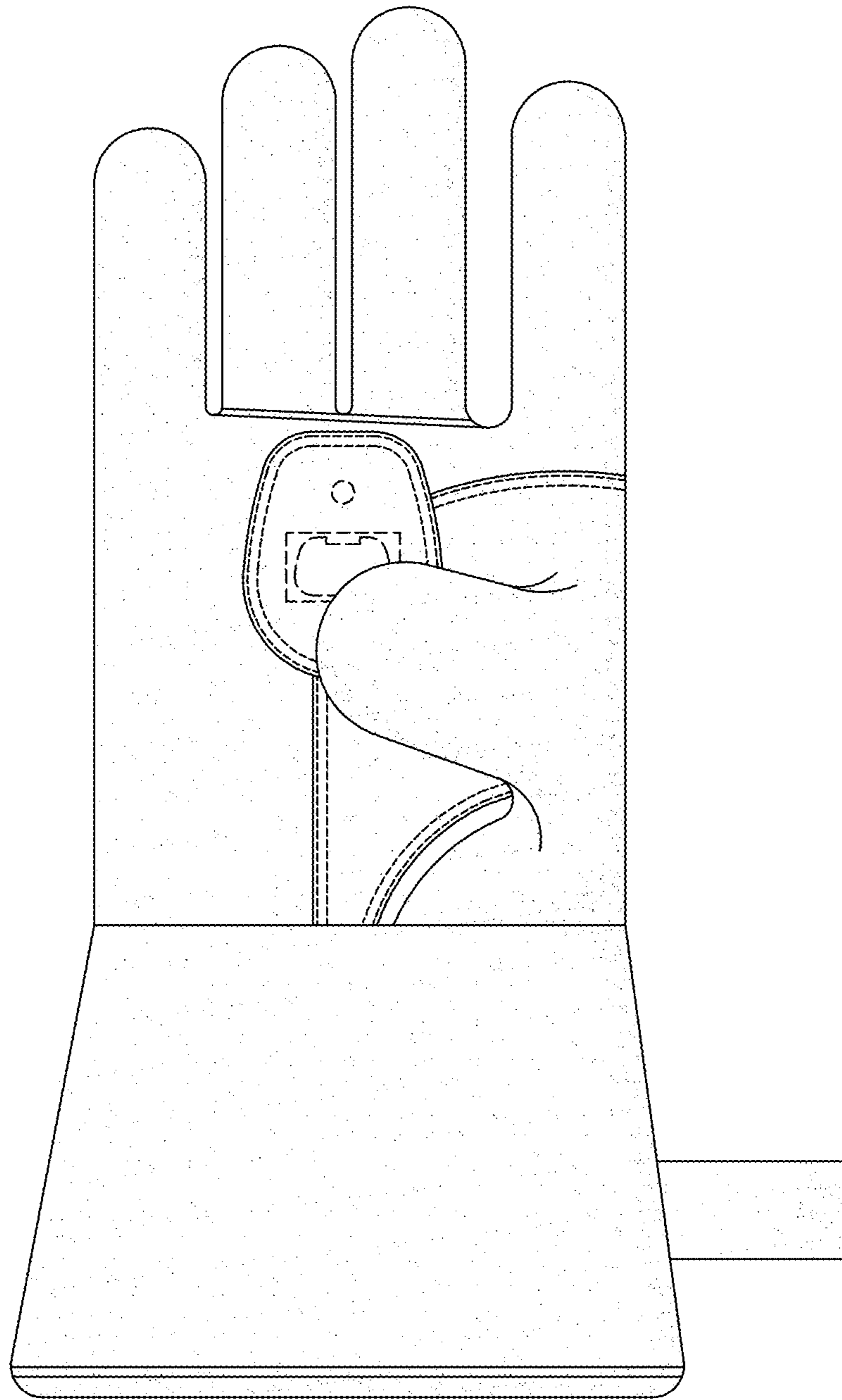


FIG. 7