



US00D904691S

(12) **United States Design Patent** (10) **Patent No.:** **US D904,691 S**
Wolfe et al. (45) **Date of Patent:** **** Dec. 8, 2020**

(54) **COSMETIC CONTAINER WITH MAGNETIC CLOSURE**

Primary Examiner — Jennifer Rivard
Assistant Examiner — Alison M Ofstun

(71) Applicant: **Cosmopak U.S.A. LLC**, Port Washington, NY (US)

(74) *Attorney, Agent, or Firm* — Holzer Patel Drennan

(72) Inventors: **Daniel Wolfe**, New York, NY (US);
Matthew Wolfe, New York, NY (US);
Barnett Wolfe, Port Washington, NY (US);
Walter Dwyer, Pacific Palisades, CA (US)

(57) **CLAIM**

The ornamental design for a cosmetic container with magnetic closure, as shown and described.

(73) Assignee: **COSMOPAK U.S.A. LLC**, Port Washington, NY (US)

DESCRIPTION

(**) Term: **15 Years**

(21) Appl. No.: **29/655,654**

(22) Filed: **Jul. 5, 2018**

(51) **LOC (12) Cl.** **28-03**

(52) **U.S. Cl.**
USPC **D28/85**

(58) **Field of Classification Search**
USPC D28/76–85, 88, 90, 99; D9/414, 424,
D9/430, 432, 456, 499, 503, 529, 516,
D9/556, 686, 738

(Continued)

(56) **References Cited**

U.S. PATENT DOCUMENTS

D262,152 S * 12/1981 Holloway D28/85
D279,510 S * 7/1985 Kairawicz D28/85

(Continued)

FOREIGN PATENT DOCUMENTS

CN 202514864 11/2012

OTHER PUBLICATIONS

Magnetic Concept Lipstick Case Designed by Raepak, published Aug. 15, 2017, retrieved on Jan. 23, 2020, retrieved from the Internet URL: <https://www.raepak.com/concept-lipstick-cases/>.*

FIG. 1 is a front perspective view of a first embodiment of a cosmetic container with magnetic closure in a closed position showing our new design.

FIG. 2 is a front perspective view of the first embodiment of the cosmetic container with magnetic closure in an open position.

FIG. 3 is a front elevation view of the first embodiment of the cosmetic container with magnetic closure in the open position, of which the rear elevation, right side elevation, and left side elevation are mirror images thereto.

FIG. 4 is a top plan view of the first embodiment of the cosmetic container with magnetic closure.

FIG. 5 is a bottom plan view of the first embodiment of the cosmetic container with magnetic closure.

FIG. 6 is a front perspective view of a second embodiment of a cosmetic container with magnetic closure in a closed position.

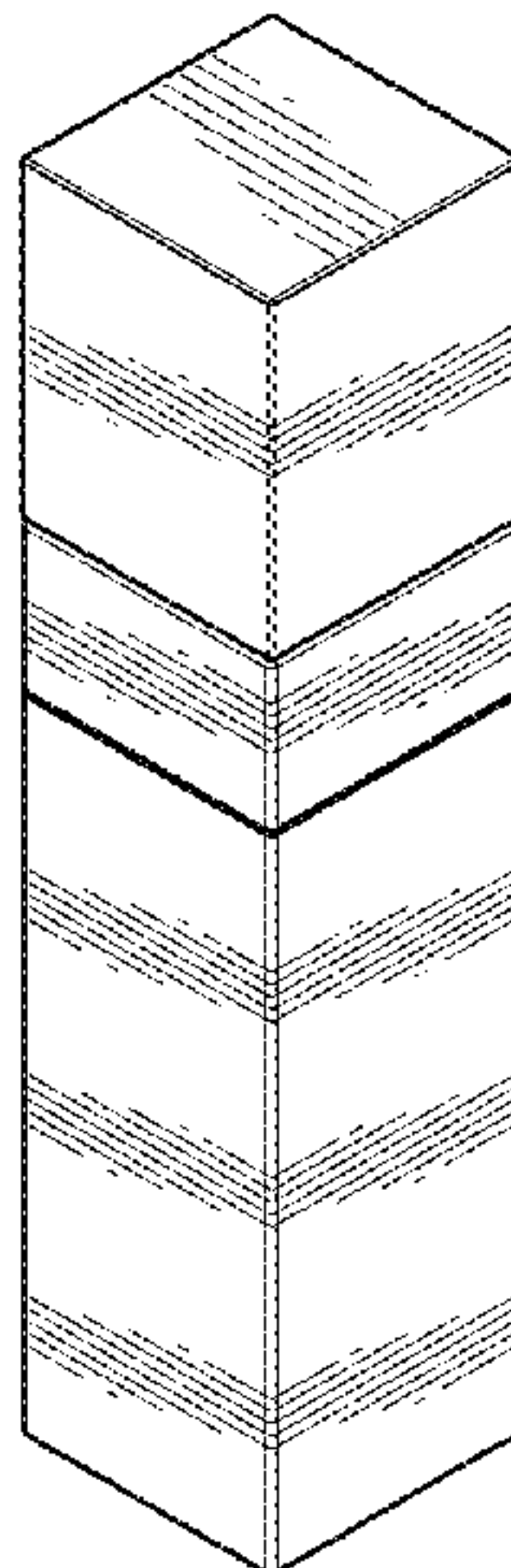
FIG. 7 is a front perspective view of the second embodiment of the cosmetic container with magnetic closure in an open position.

FIG. 8 is a front elevation view of the second embodiment of the cosmetic container with magnetic closure in the open position, of which the rear elevation, right side elevation, and left side elevation are mirror images thereto.

FIG. 9 is a top plan view of the second embodiment of the cosmetic container with magnetic closure; and,

FIG. 10 is a bottom plan view of the second embodiment of the cosmetic container with magnetic closure.

(Continued)



The broken lines in the figures represent portions of the article which form no part of the claimed design.

1 Claim, 6 Drawing Sheets

(58) **Field of Classification Search**

CPC A45D 33/00; A45D 33/003; A45D 33/006;
 A45D 33/008; A45D 33/025; A45D
 33/06; A45D 33/14; A45D 33/18; A45D
 33/22; A45D 33/24; A45D 33/26; A45D
 34/048; A45D 34/06; A45D 40/00; A45D
 40/0068; A45D 40/02; A45D 40/023;
 A45D 40/026; A45D 40/04; A45D 40/06;
 A45D 40/065; A45D 40/10; A45D 40/12;
 A45D 40/18; A45D 40/22; A45D 40/222;
 A45D 40/24; A45D 40/262; A45D 4/264;
 A45D 40/265; A45D 42/00; A45D 42/02;
 A45D 42/04

See application file for complete search history.

(56) **References Cited**

U.S. PATENT DOCUMENTS

D368,328 S * 3/1996 Wacker D28/85
 D467,039 S * 12/2002 Fuller D28/77
 D471,324 S * 3/2003 Kalin D28/77
 D496,496 S * 9/2004 Ditrichstein D28/85
 D501,279 S * 1/2005 Dittmer D28/85
 D567,447 S * 4/2008 Lee D28/85
 7,883,287 B2 2/2011 Thorpe

8,292,535 B2 10/2012 Thorpe
 8,464,731 B1 6/2013 Eberlein et al.
 8,556,527 B1 10/2013 Chou
 D694,622 S * 12/2013 Bulens D9/432
 9,016,968 B2 4/2015 Thorpe
 D734,550 S * 7/2015 Schlatter D28/83
 D744,166 S * 11/2015 Chertoff D28/85
 9,538,824 B2 1/2017 Villarreal et al.
 9,578,949 B2 2/2017 Villarreal et al.
 9,833,055 B2 12/2017 Thorpe
 D808,280 S * 1/2018 Nagata D9/560
 10,058,160 B2 8/2018 Chen
 D833,879 S * 11/2018 Staab D9/529
 D853,035 S * 7/2019 Moretti D28/76
 D856,588 S * 8/2019 French-Artis D28/76
 D873,147 S * 1/2020 Aboabdo D9/560
 2008/0041747 A1 * 2/2008 Mihara A45D 40/06
 206/385
 2011/0070012 A1 * 3/2011 Kim A45D 40/065
 401/68
 2012/0266910 A1 10/2012 Tarling et al.
 2013/0051894 A1 2/2013 Lim et al.
 2013/0121745 A1 5/2013 Tarling et al.
 2014/0219701 A1 8/2014 Eberlein
 2014/0234004 A1 8/2014 Thorpe et al.
 2014/0376985 A1 12/2014 Villarreal et al.
 2016/0199162 A1 * 7/2016 Brilliant A61C 15/02
 132/328
 2018/0021795 A1 1/2018 Apodaca et al.
 2018/0084892 A1 3/2018 Thorpe
 2019/0082807 A1 * 3/2019 Liu A45D 33/28
 2019/0183230 A1 * 6/2019 Denece A45D 40/18
 2019/0239618 A1 * 8/2019 Wolfe A45D 34/046
 2019/0263568 A1 * 8/2019 De Rosa B05B 11/0032

* cited by examiner

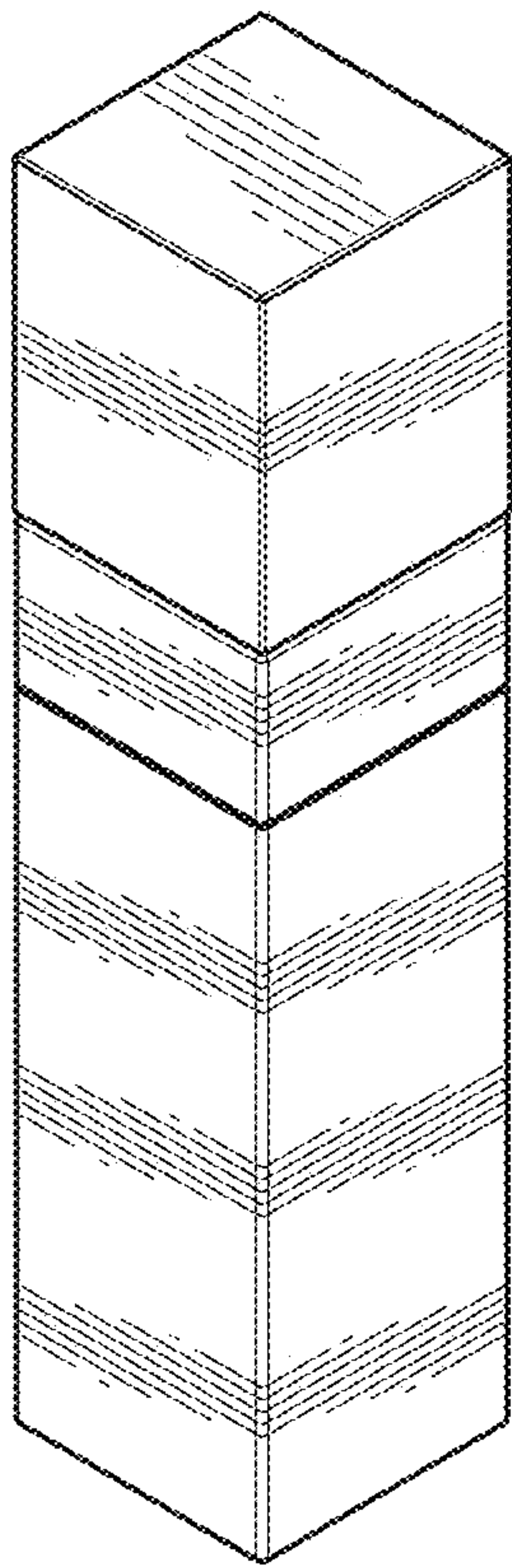


FIG. 1

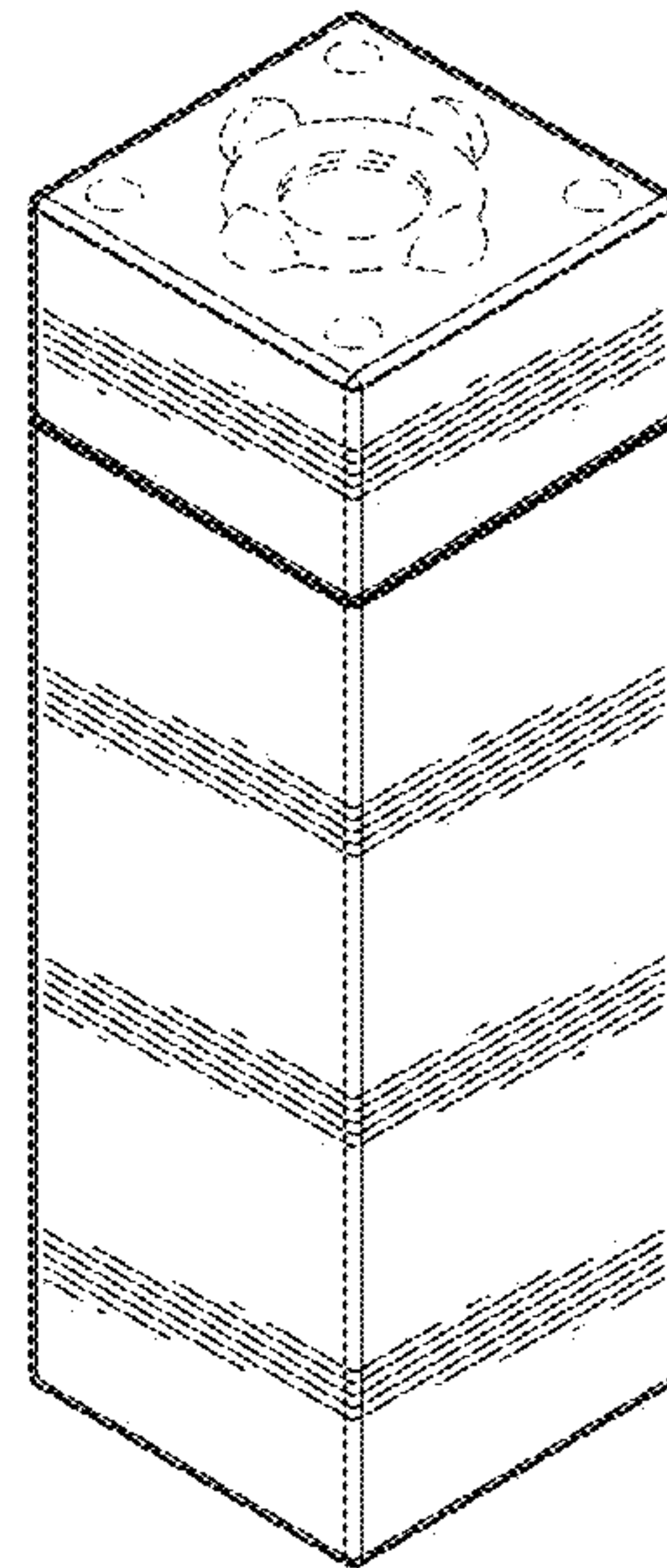
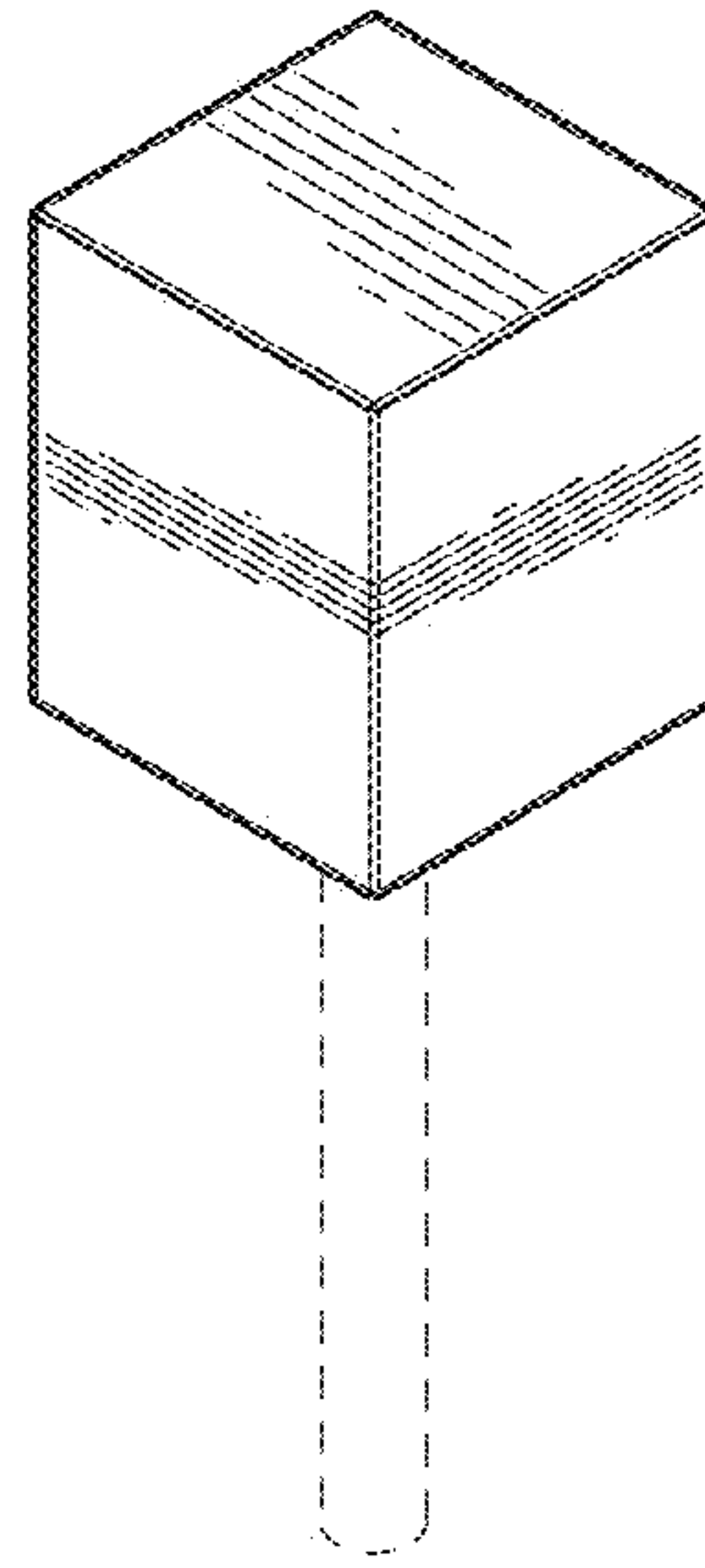


FIG. 2

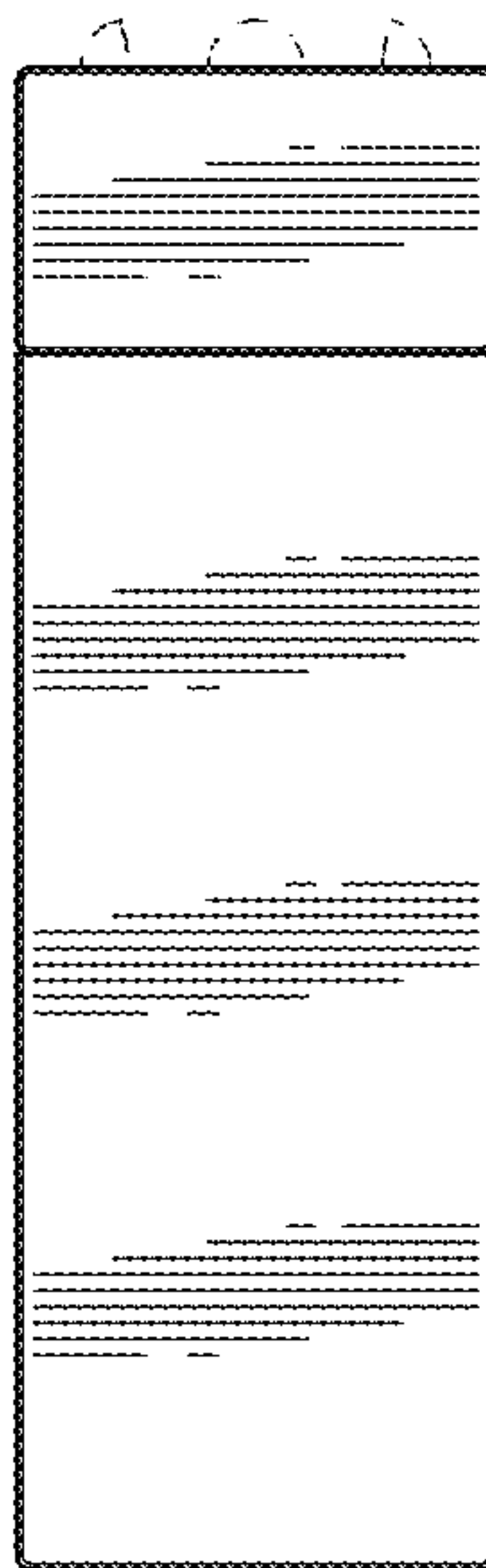
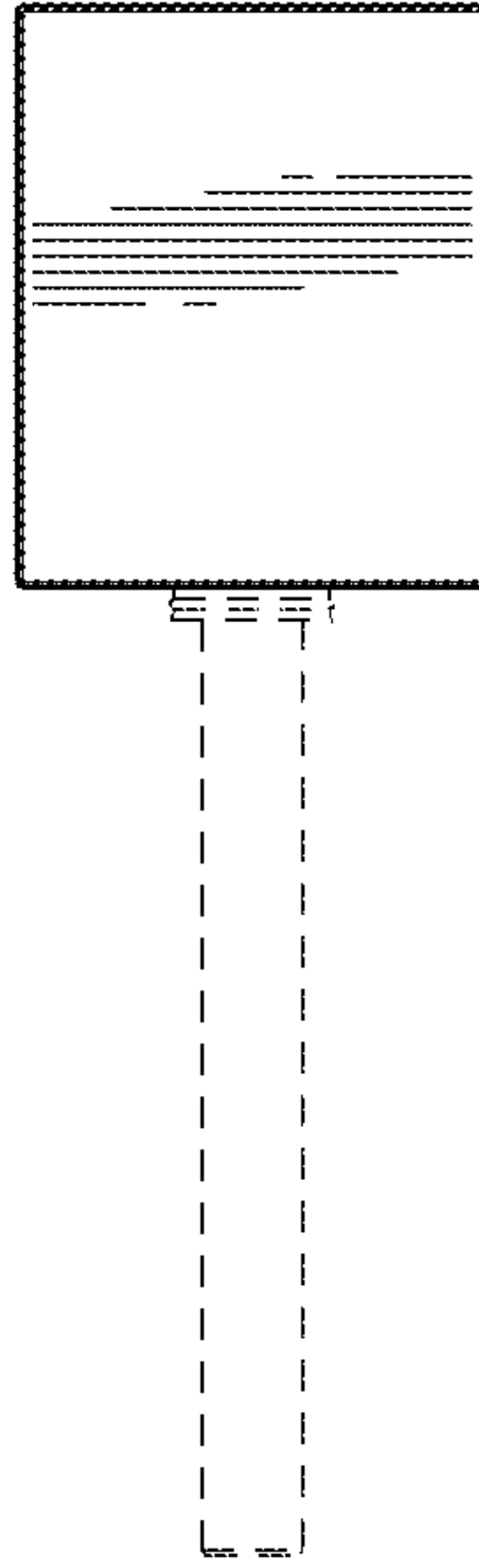


FIG. 3

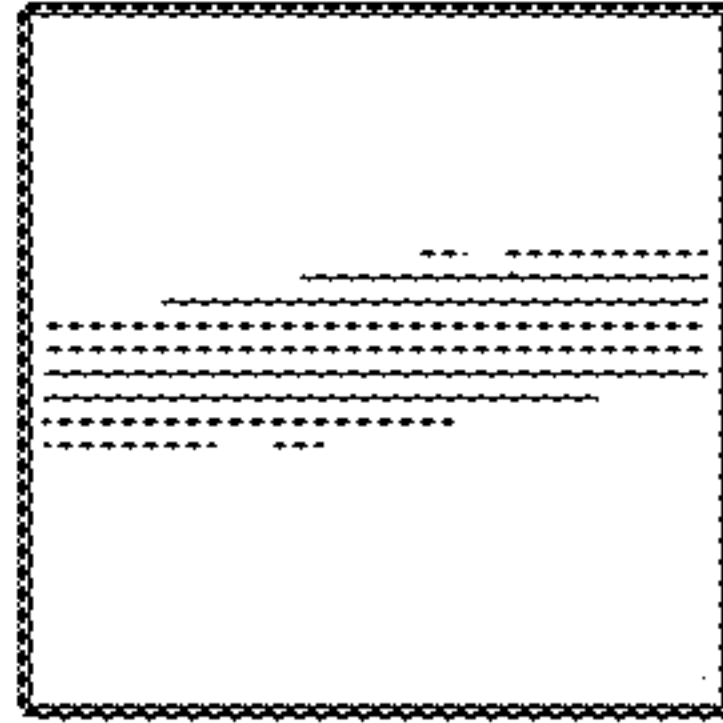


FIG. 4

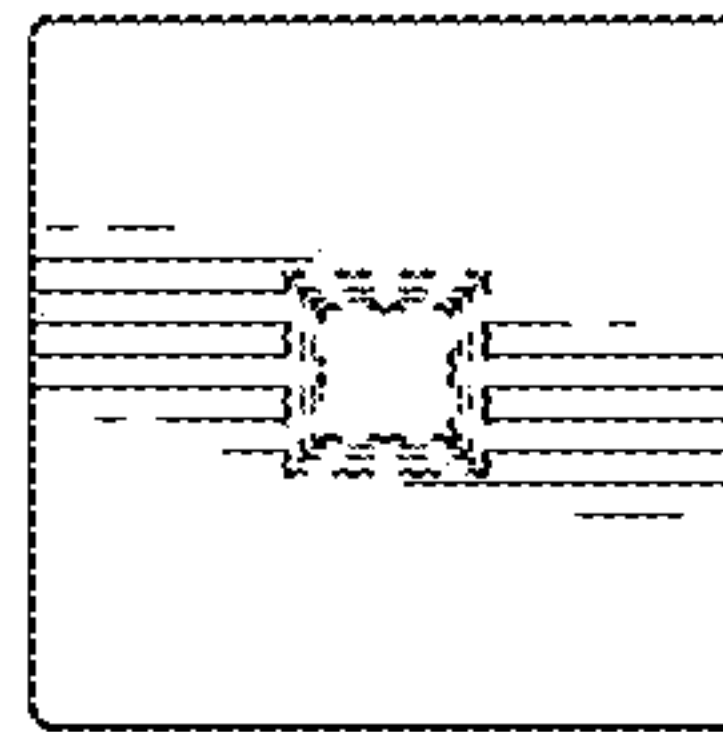


FIG. 5

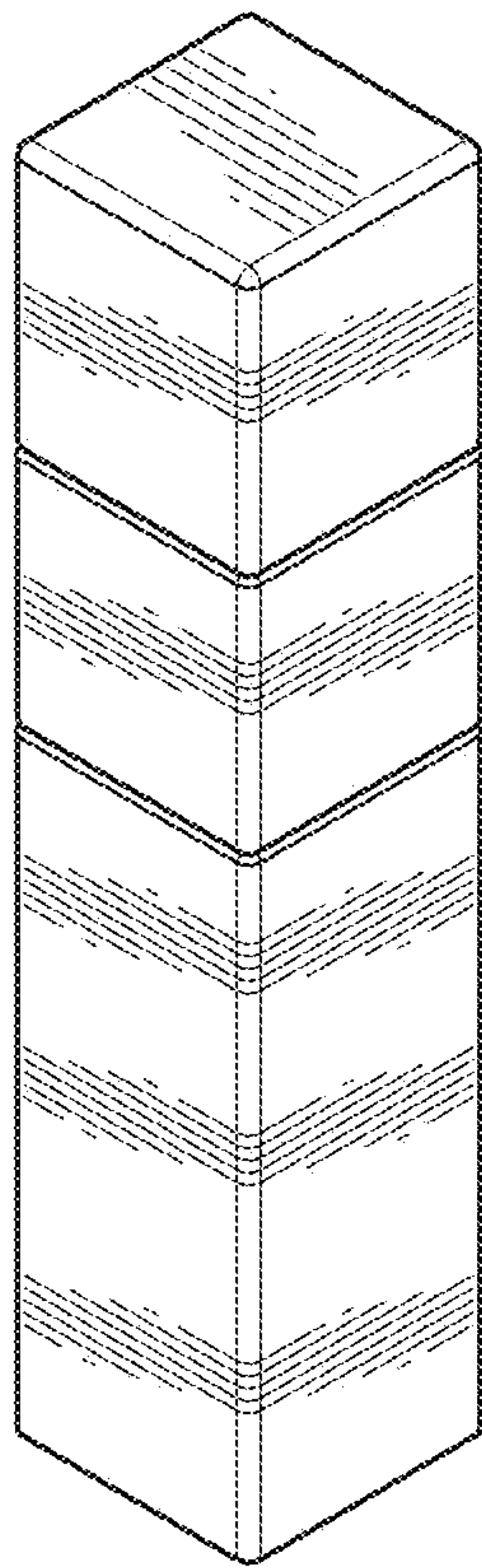


FIG. 6

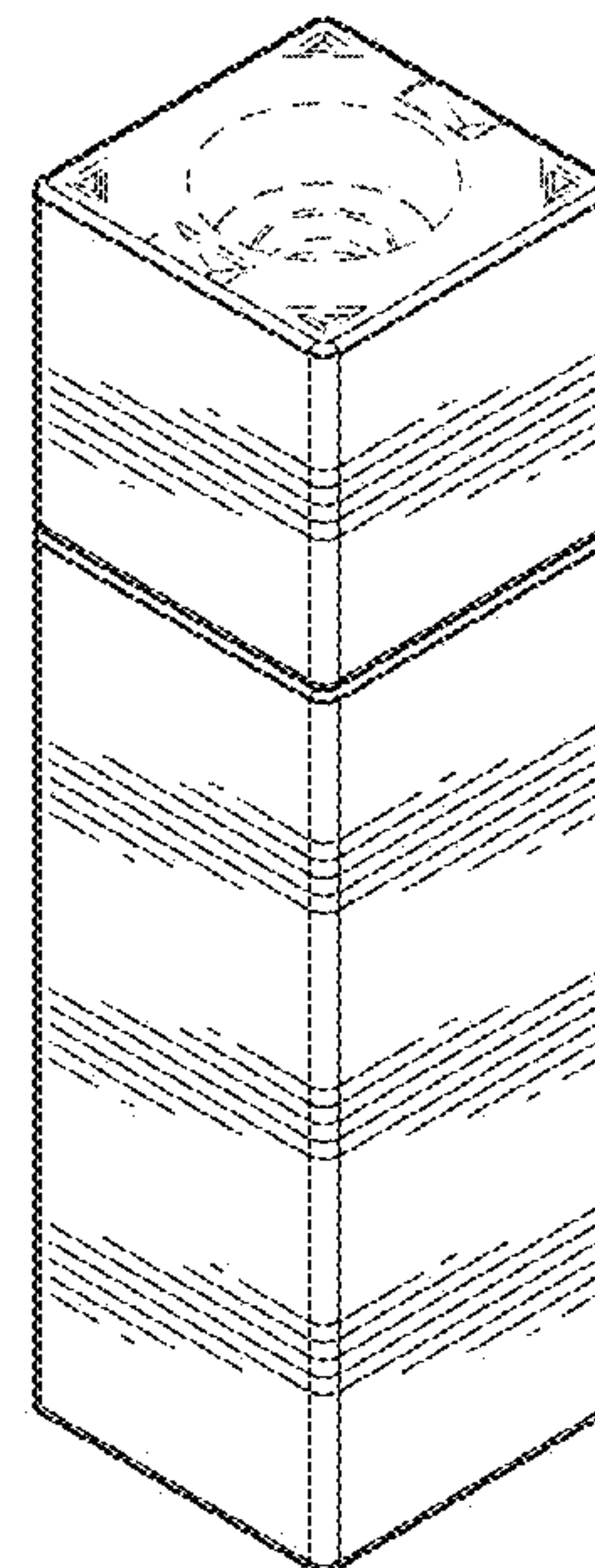
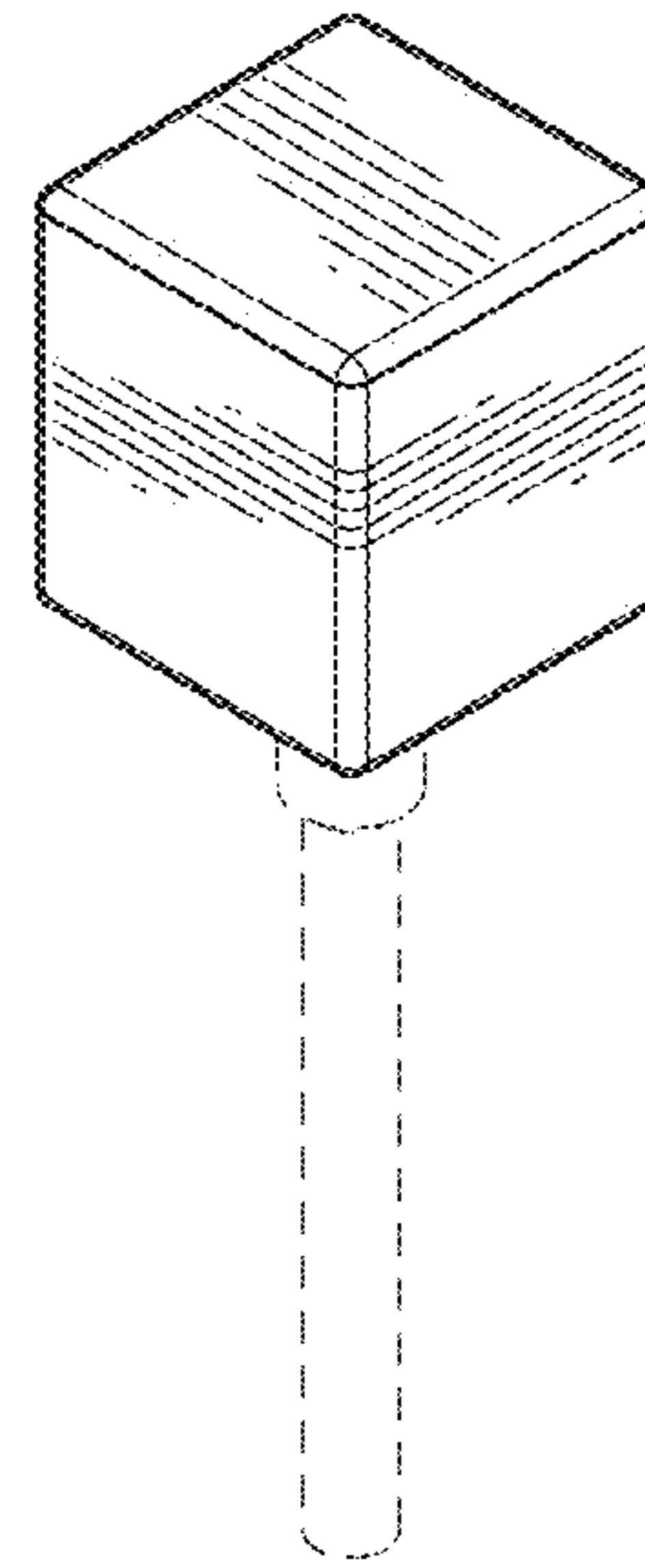


FIG. 7

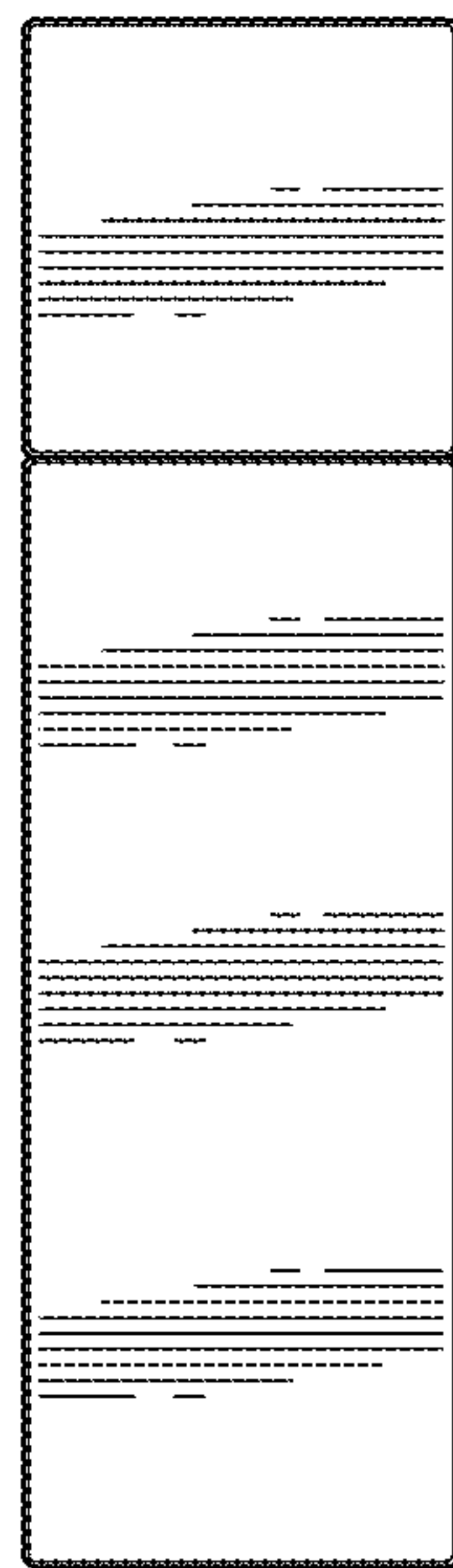
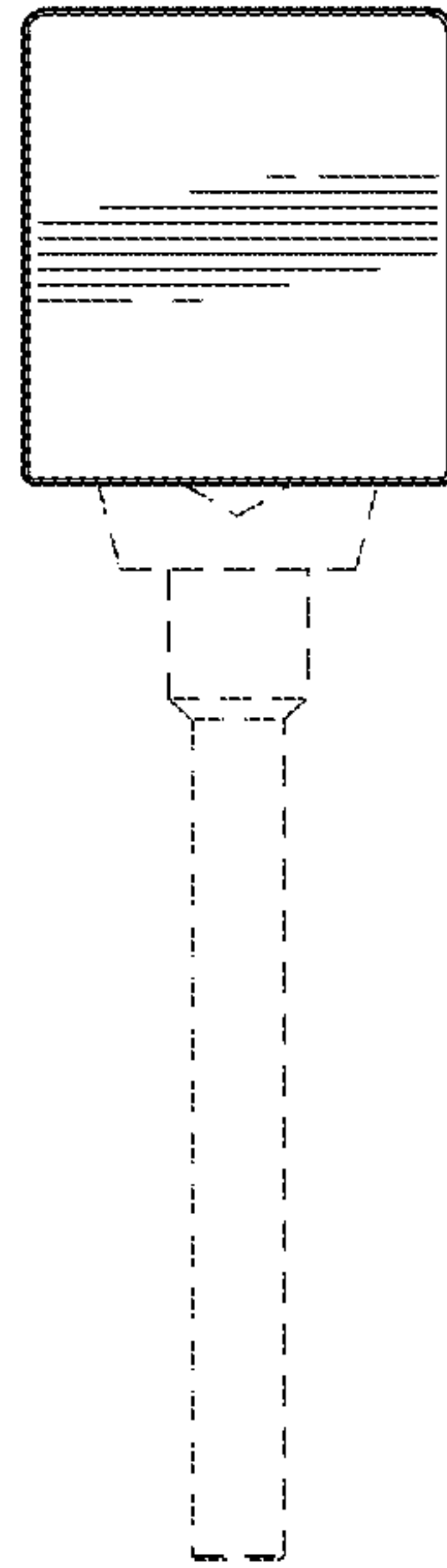


FIG. 8

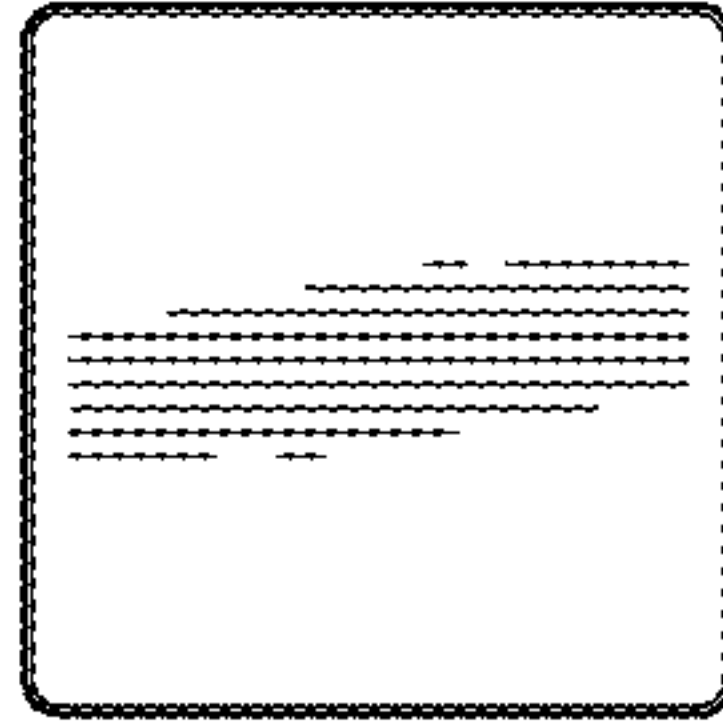


FIG. 9



FIG. 10