



US00D904690S

(12) **United States Design Patent**
Kaminsky

(10) **Patent No.:** **US D904,690 S**

(45) **Date of Patent:** **** Dec. 8, 2020**

(54) **TAPERED HAIR CLIP**

(71) Applicant: **Sabrina Kaminsky**, Mill Valley, CA
(US)

(72) Inventor: **Sabrina Kaminsky**, Mill Valley, CA
(US)

(**) Term: **15 Years**

(21) Appl. No.: **29/700,727**

(22) Filed: **Aug. 5, 2019**

(51) **LOC (12) Cl.** **28-03**

(52) **U.S. Cl.**
USPC **D28/40**

(58) **Field of Classification Search**
USPC D28/39, 40, 42, 43
CPC ... A45D 8/00; A45D 8/24; A45D 8/28; A45D
8/30; A45D 8/32; A45D 8/34
See application file for complete search history.

(56) **References Cited**

U.S. PATENT DOCUMENTS

D403,109 S	*	12/1998	Potut	D28/40
D410,302 S	*	5/1999	Yasuda	D28/40
D414,583 S	*	9/1999	Yasuda	D28/25
D536,132 S	*	1/2007	Vergona	D28/40
D562,498 S	*	2/2008	Vergona	D28/40
D627,516 S	*	11/2010	Hsu	D28/40
D642,738 S	*	8/2011	Hsu	D28/40
D687,184 S	*	7/2013	Silva	D28/40
D712,093 S	*	8/2014	Hsu	D28/40

D719,297 S	*	12/2014	Hsu	A45D 8/24
					D28/40
D737,510 S	*	8/2015	Wright	D28/40
D774,695 S	*	12/2016	Coral	D28/40
D814,112 S	*	3/2018	Hsu	D28/40

* cited by examiner

Primary Examiner — Zenia I Bennett

(74) *Attorney, Agent, or Firm* — Steven A. Nielsen;
www.NielsenPatents.com

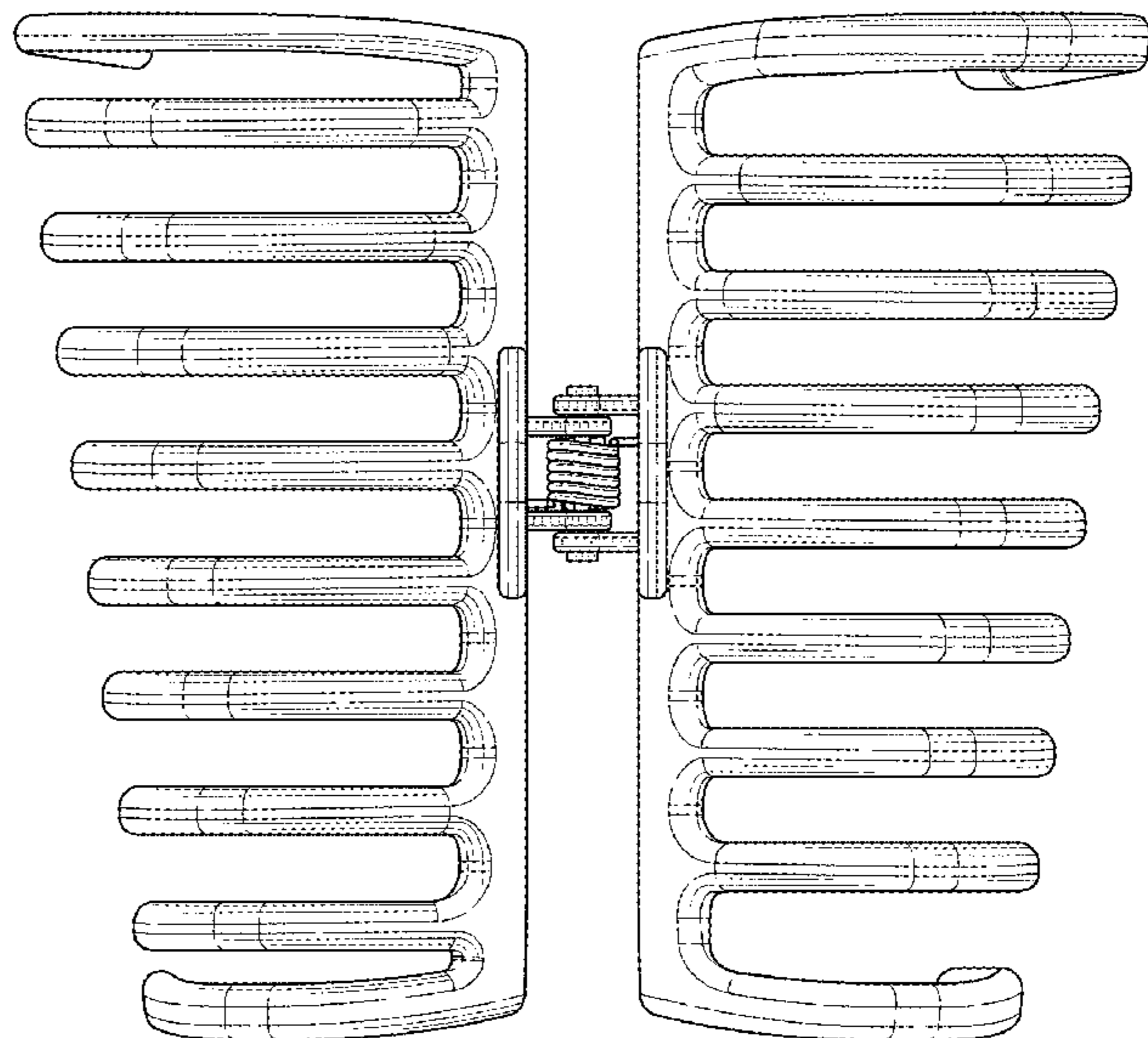
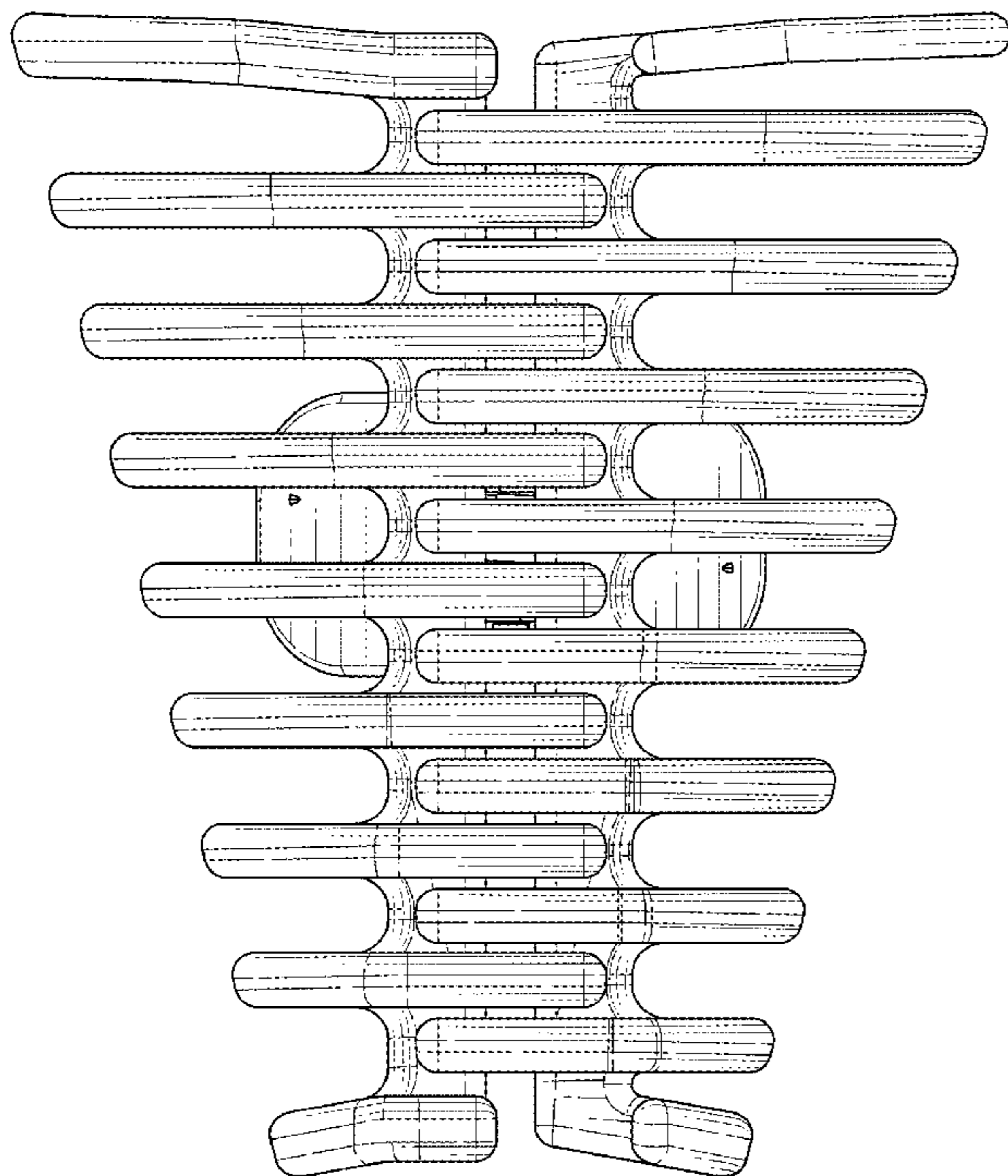
(57) **CLAIM**

The ornamental design for a tapered hair clip, as shown and described.

DESCRIPTION

FIG. 1 is a back and side perspective view of a tapered hair clip showing my new design;
 FIG. 2 is a back view thereof;
 FIG. 3 is a front view thereof;
 FIG. 4 is a right side view thereof;
 FIG. 5 is a left side view thereof;
 FIG. 6 is a bottom view thereof;
 FIG. 7 is a top view thereof;
 FIG. 8 is a back and side perspective view in an open position thereof;
 FIG. 9 is a back view in an open position thereof;
 FIG. 10 is a front view in an open position thereof;
 FIG. 11 is a right side view in an open position thereof;
 FIG. 12 is a left side view in an open position thereof;
 FIG. 13 is a bottom view in an open position thereof; and,
 FIG. 14 is a top view in an open position thereof.

1 Claim, 12 Drawing Sheets



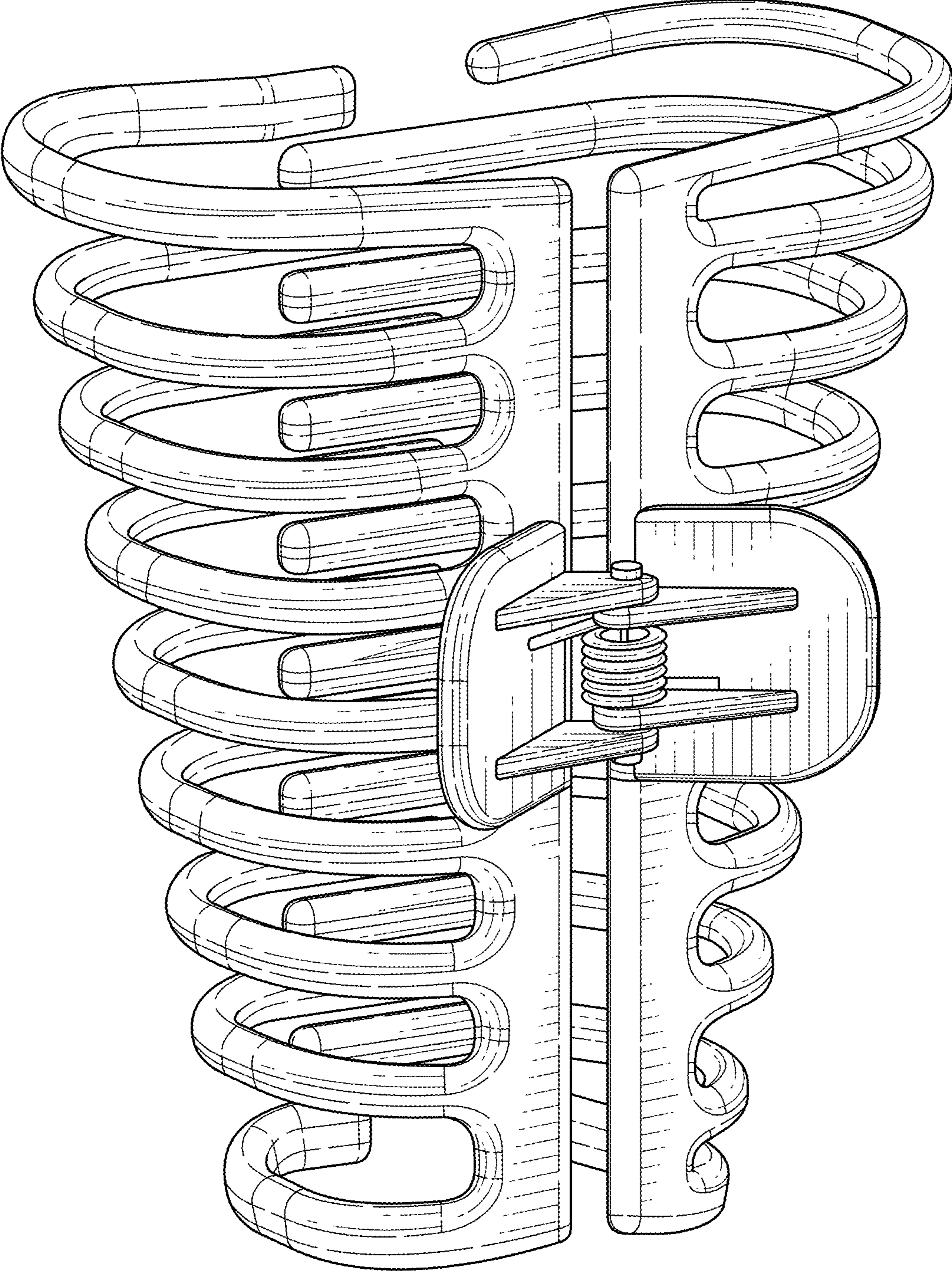


FIG. 1

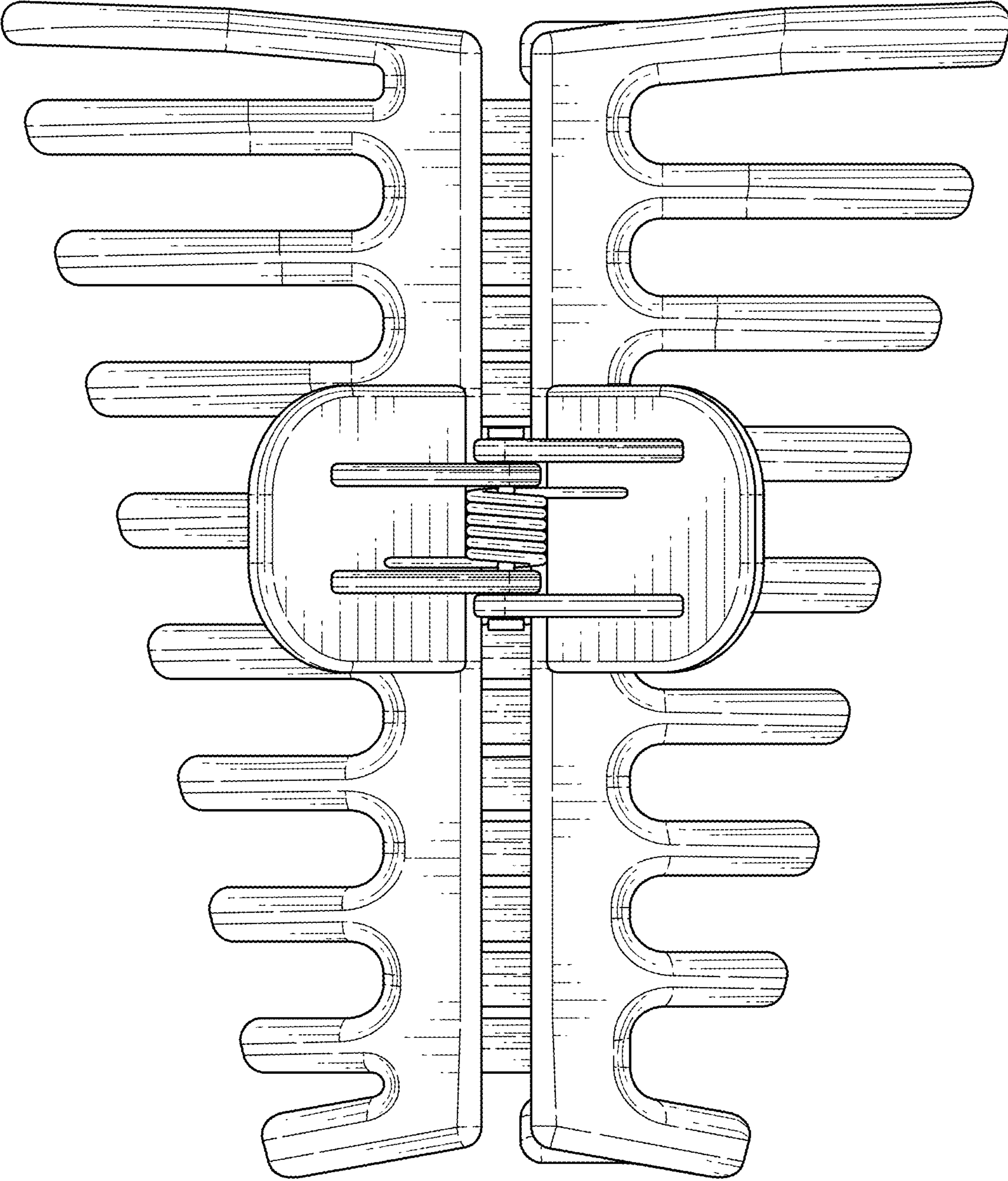


FIG. 2

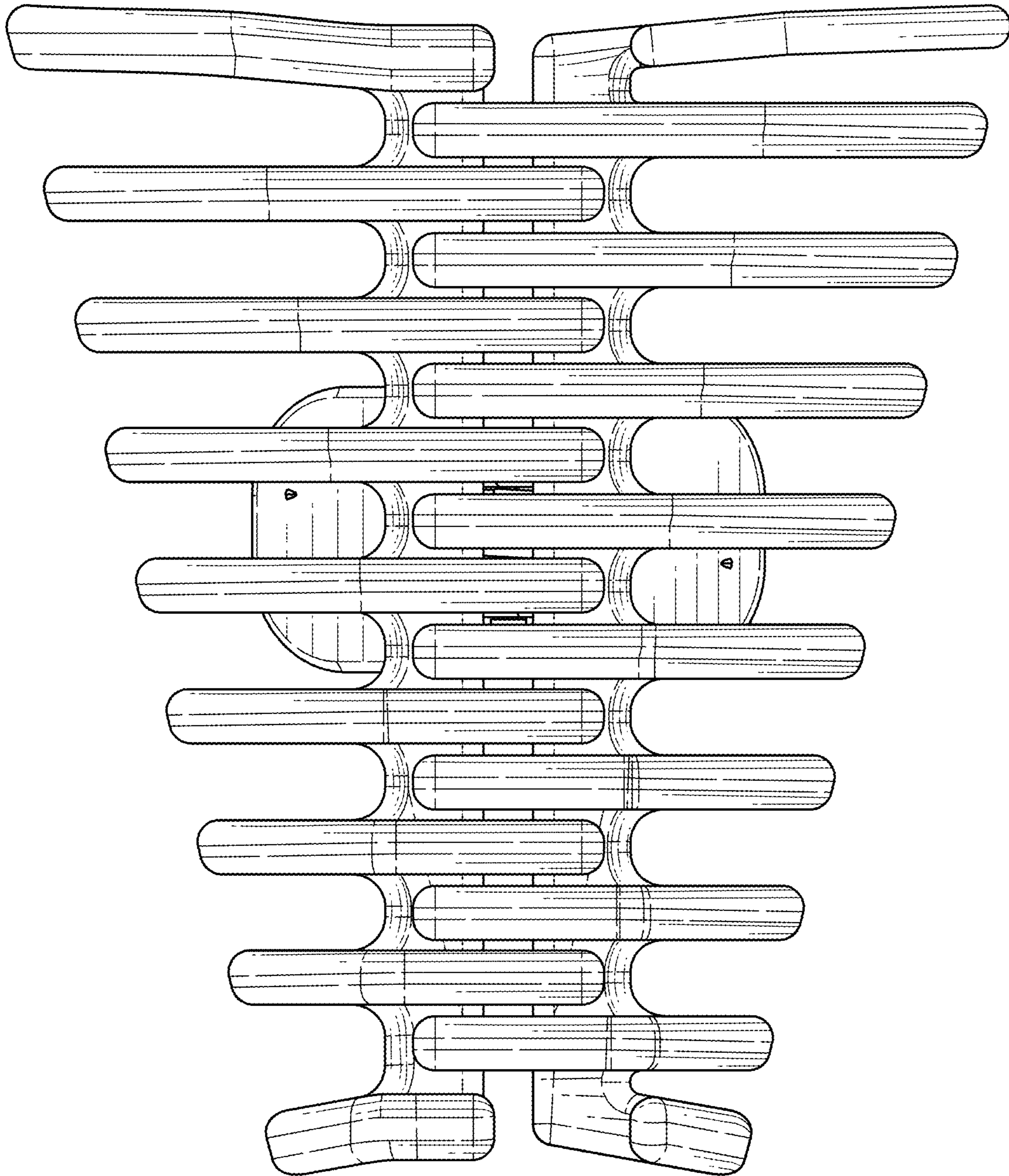


FIG. 3

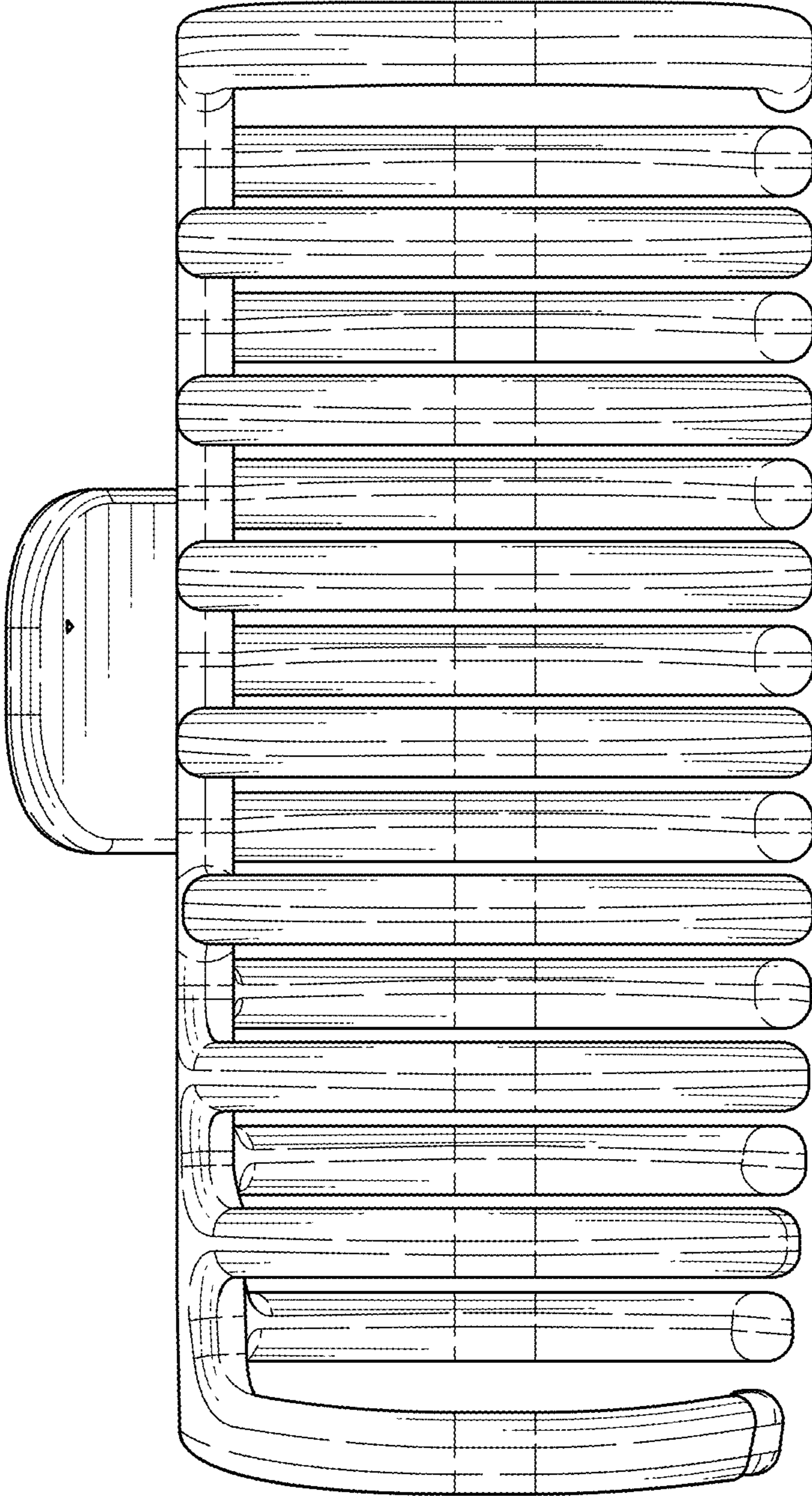


FIG. 4

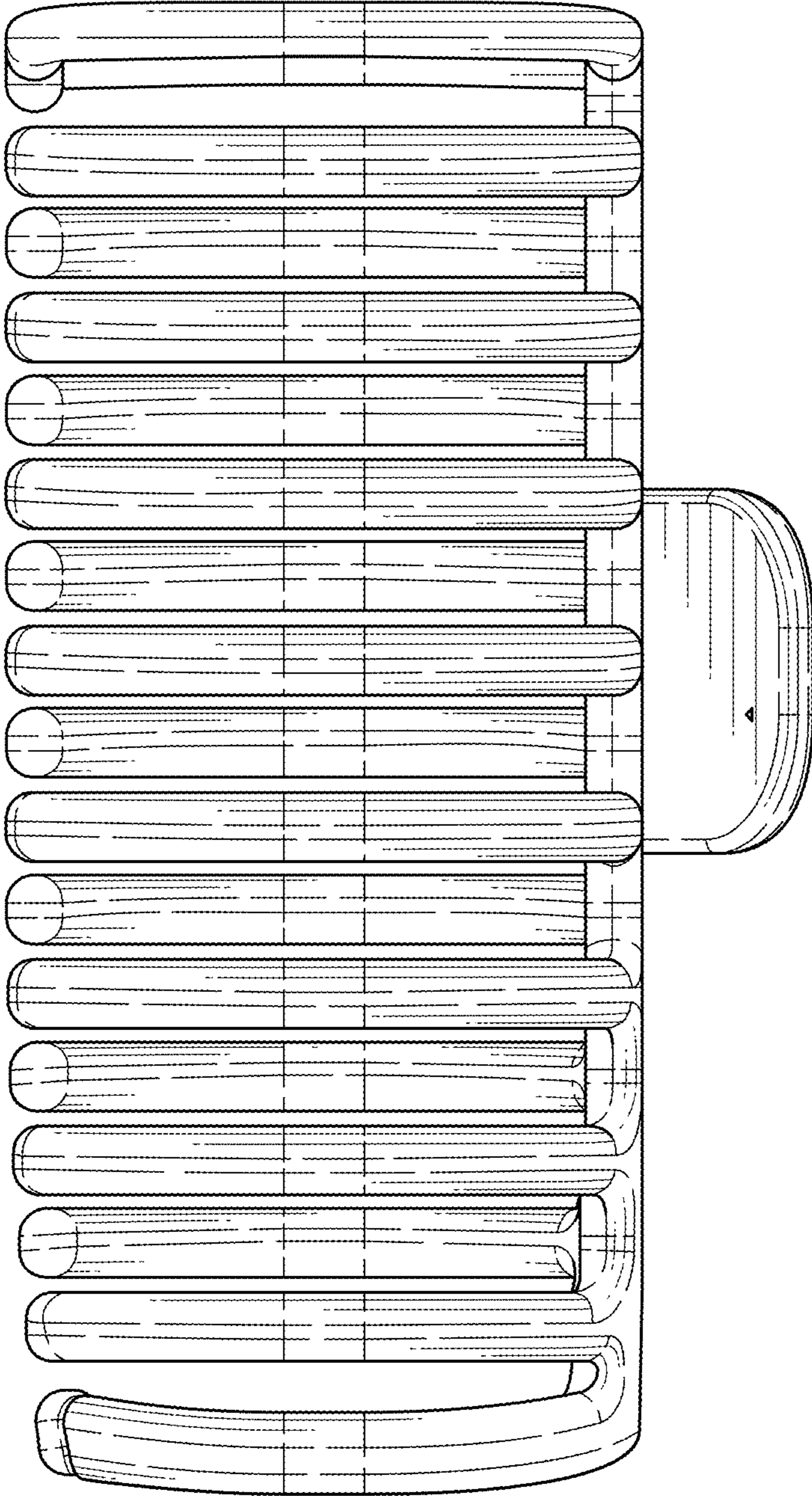


FIG. 5

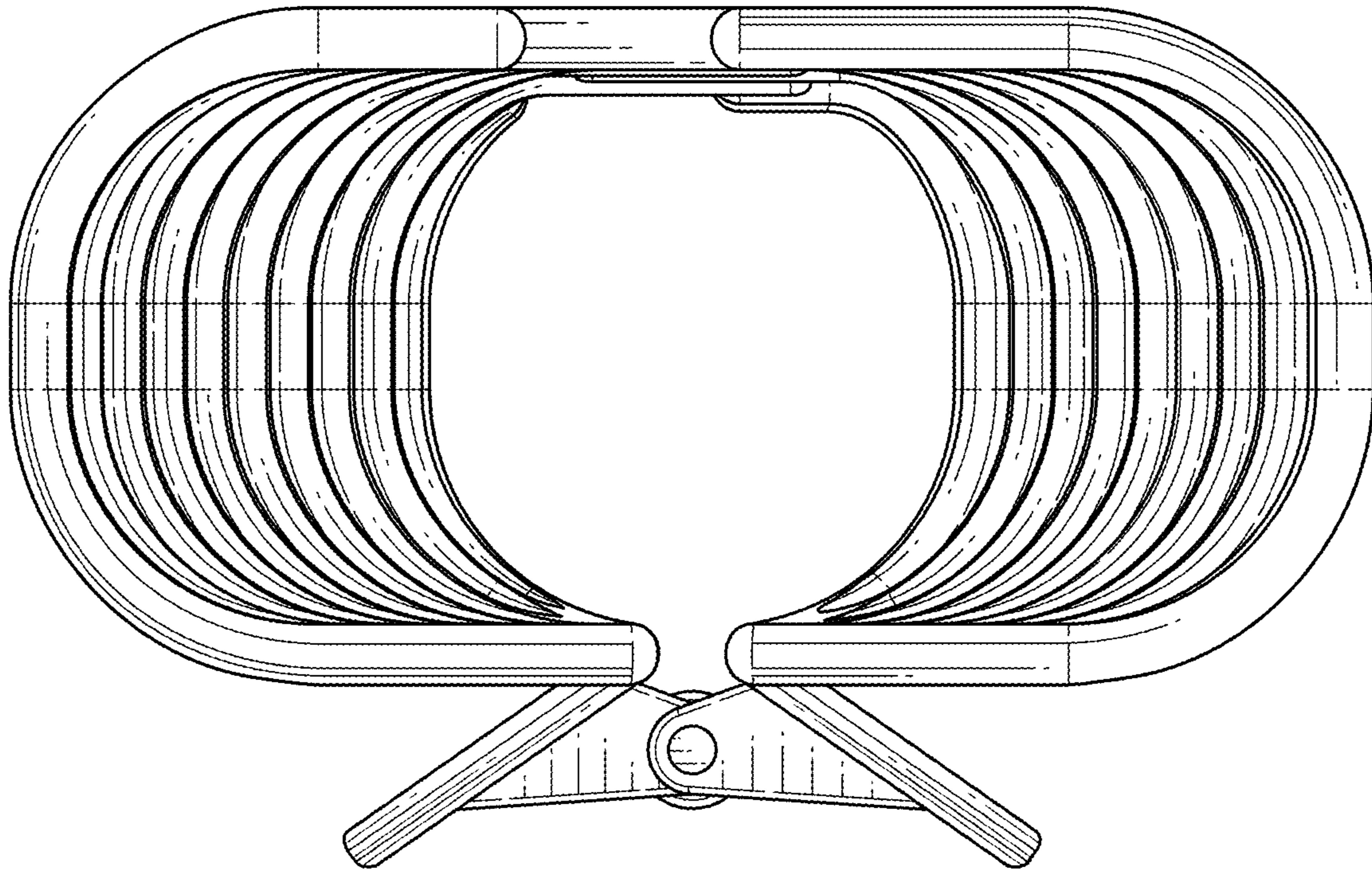


FIG. 6

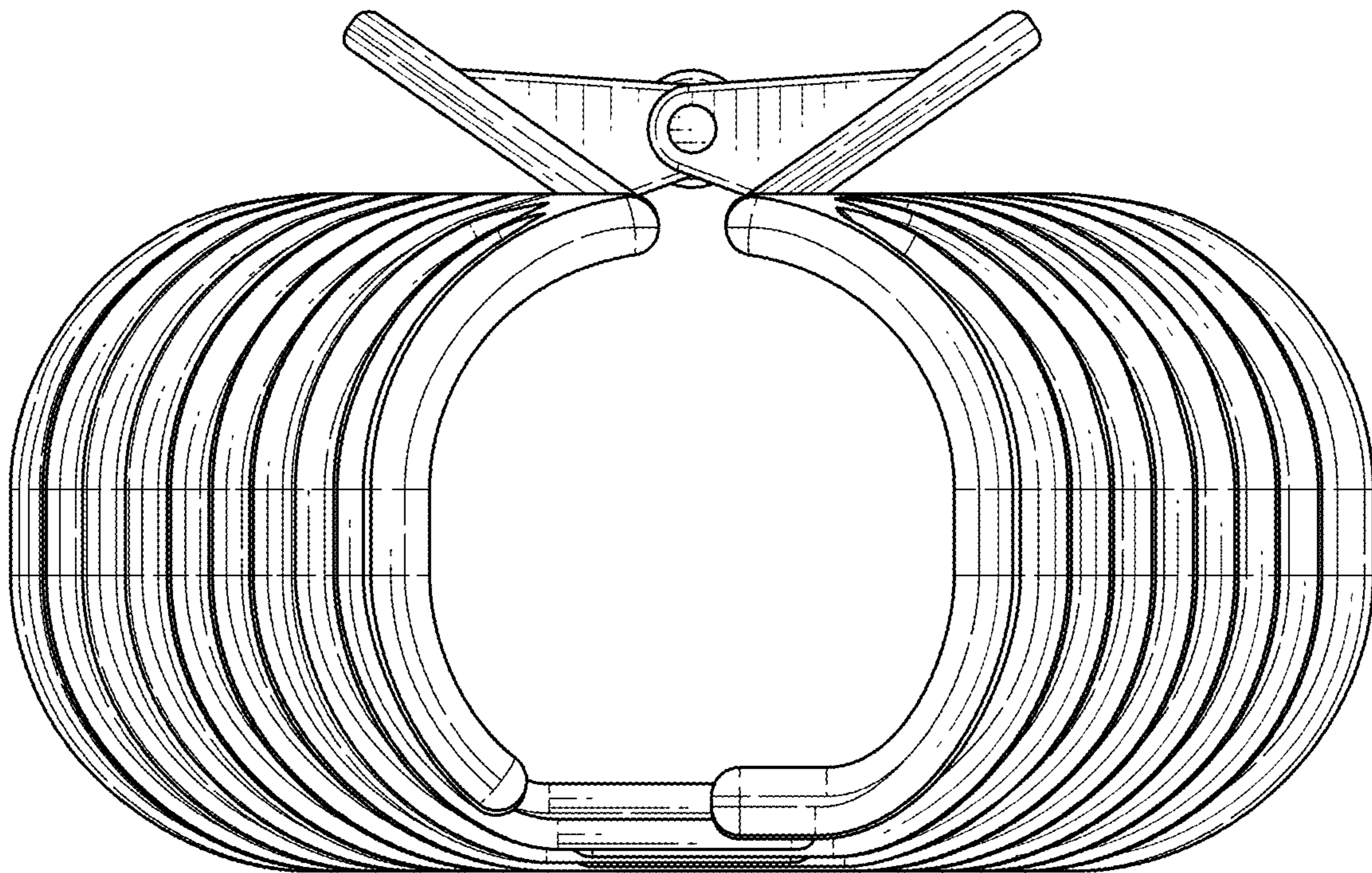


FIG. 7

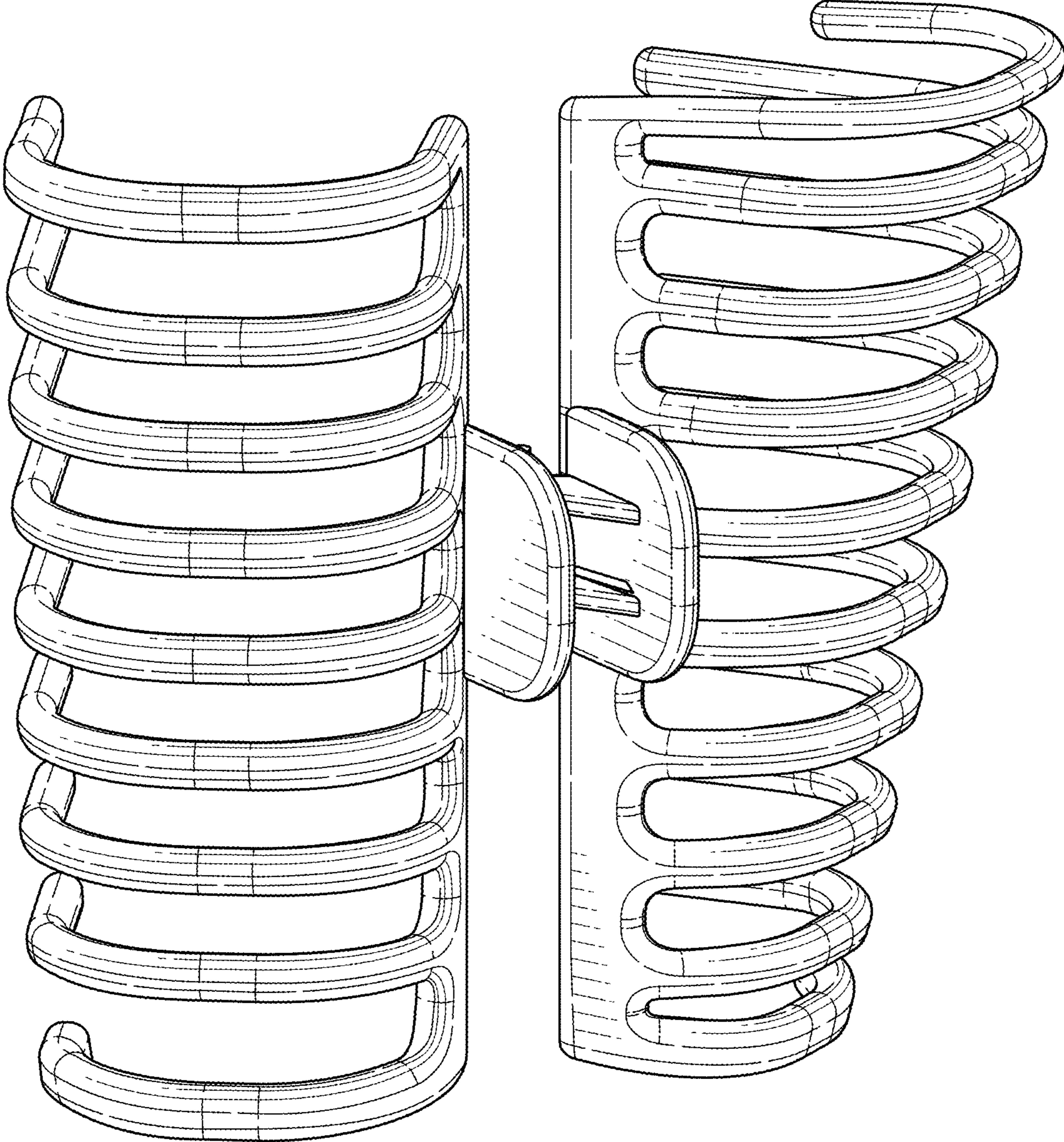


FIG. 8

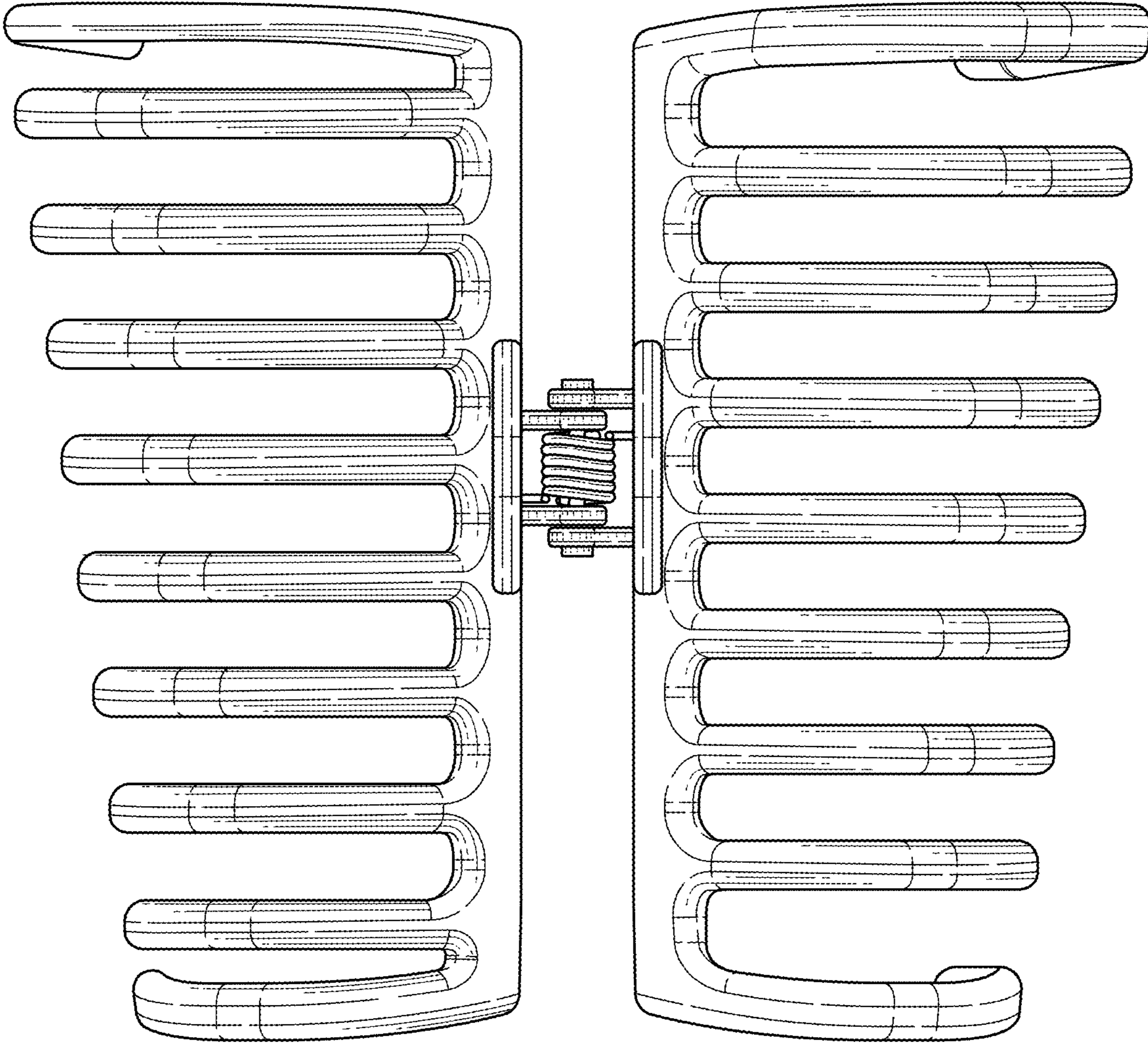


FIG. 9

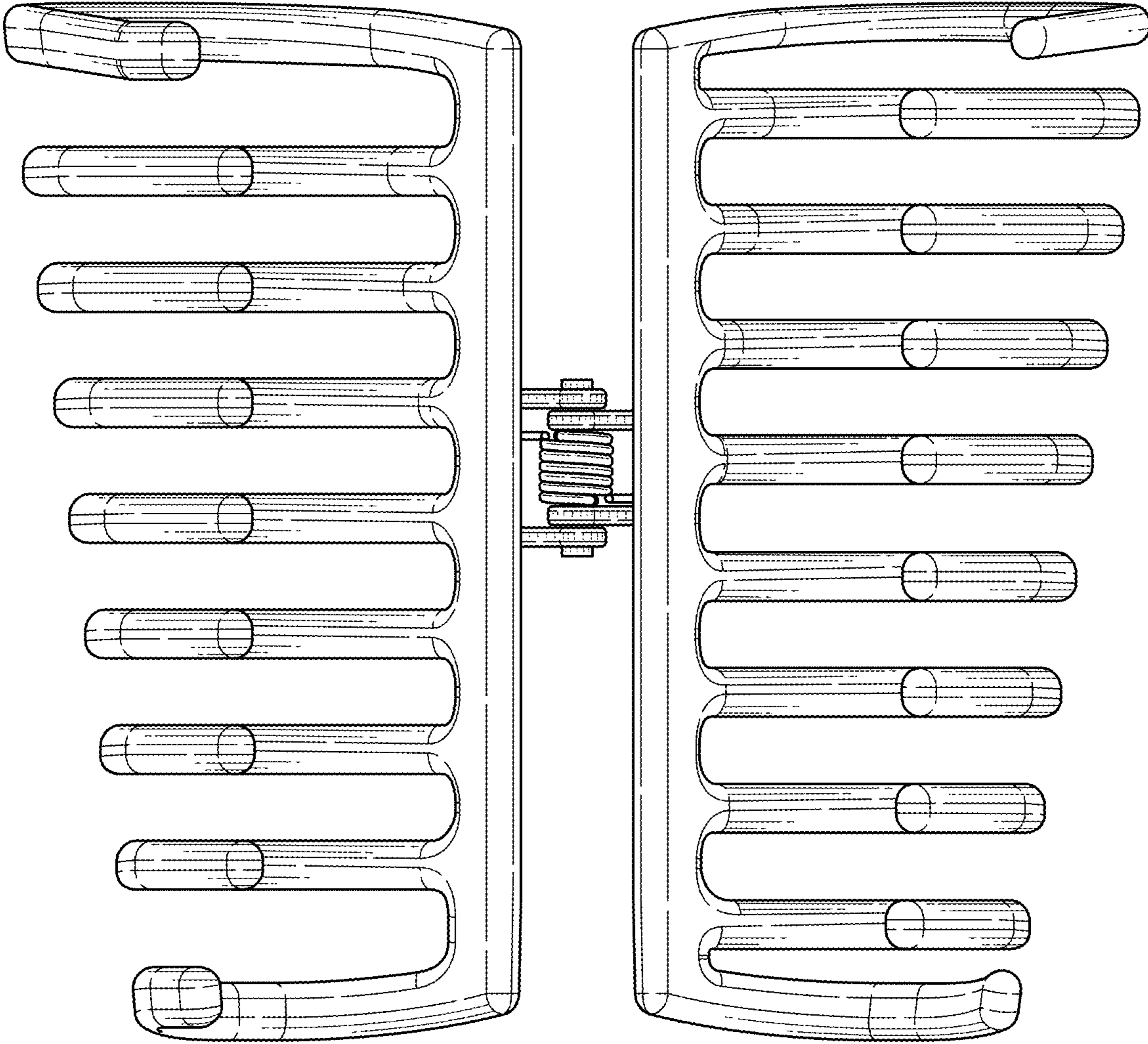


FIG. 10

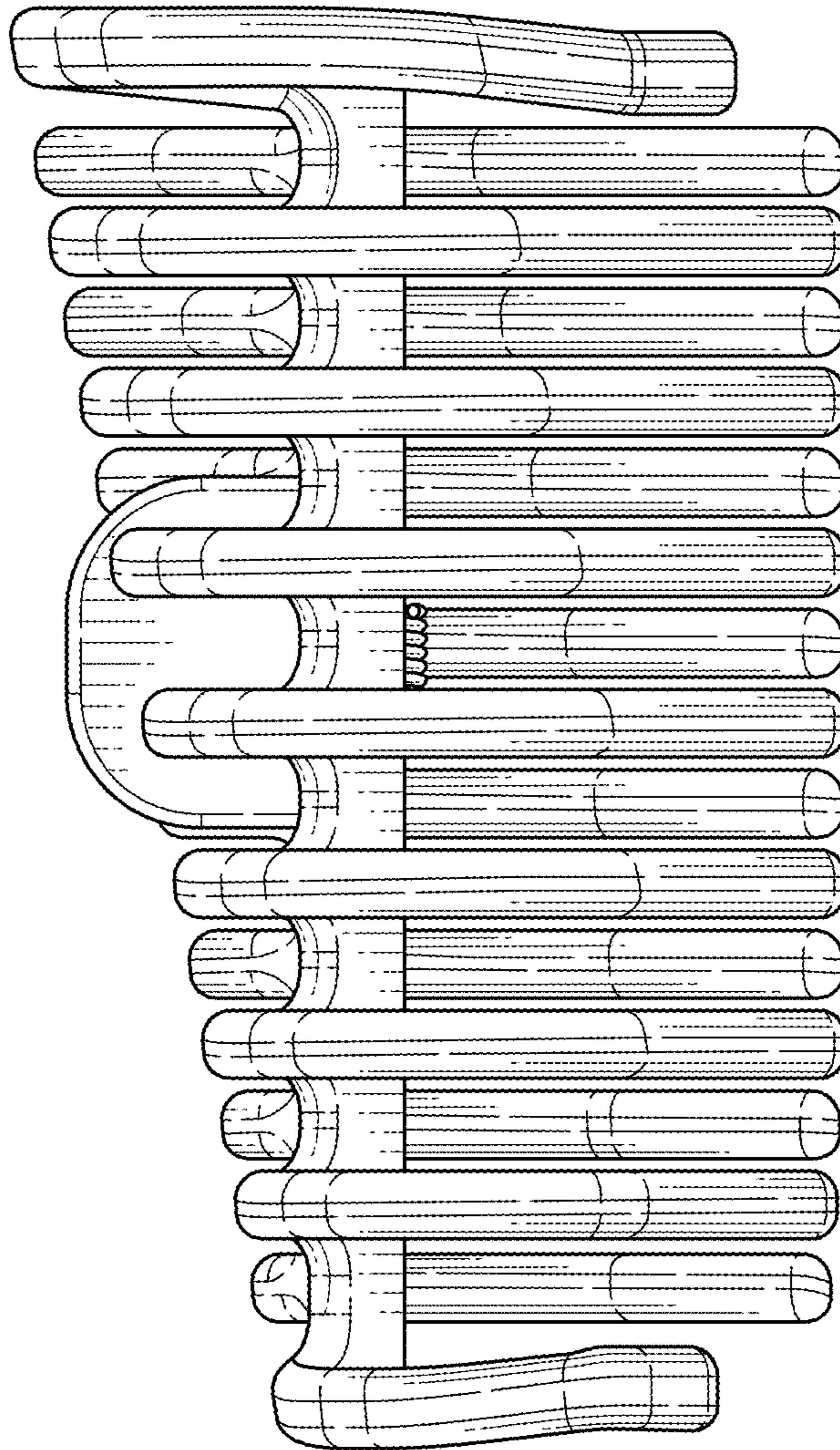


FIG. 11

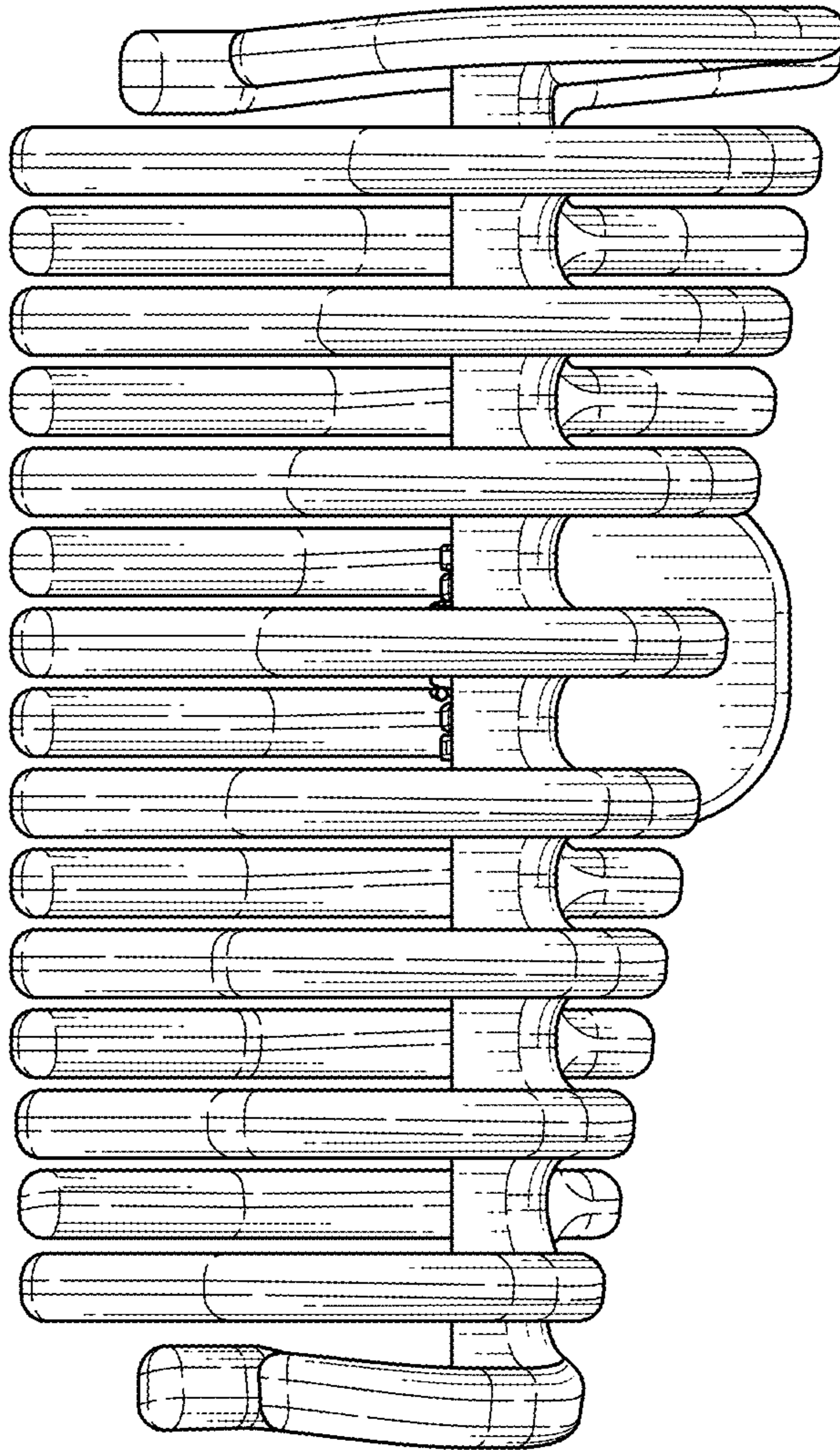


FIG. 12

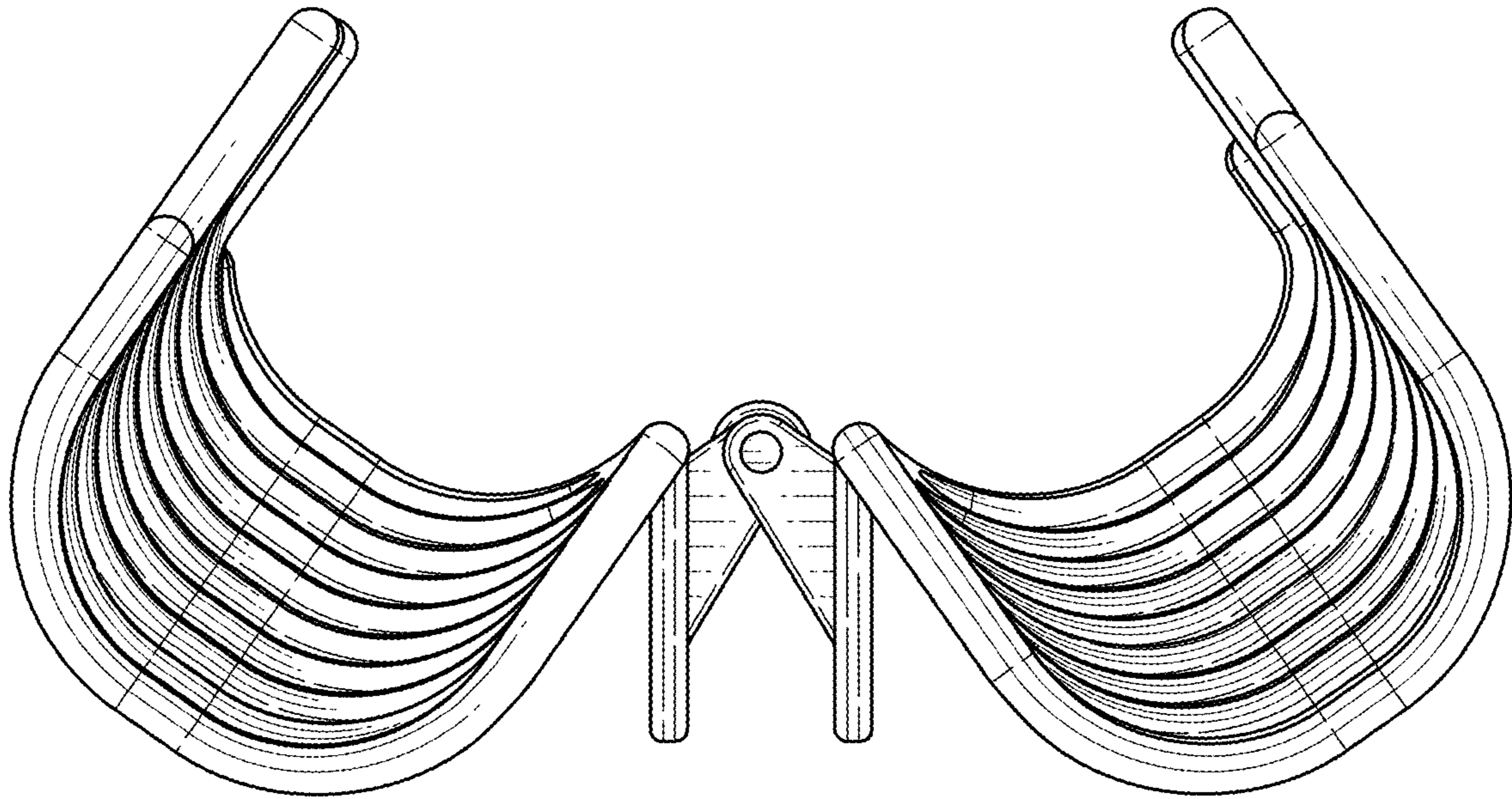


FIG. 13

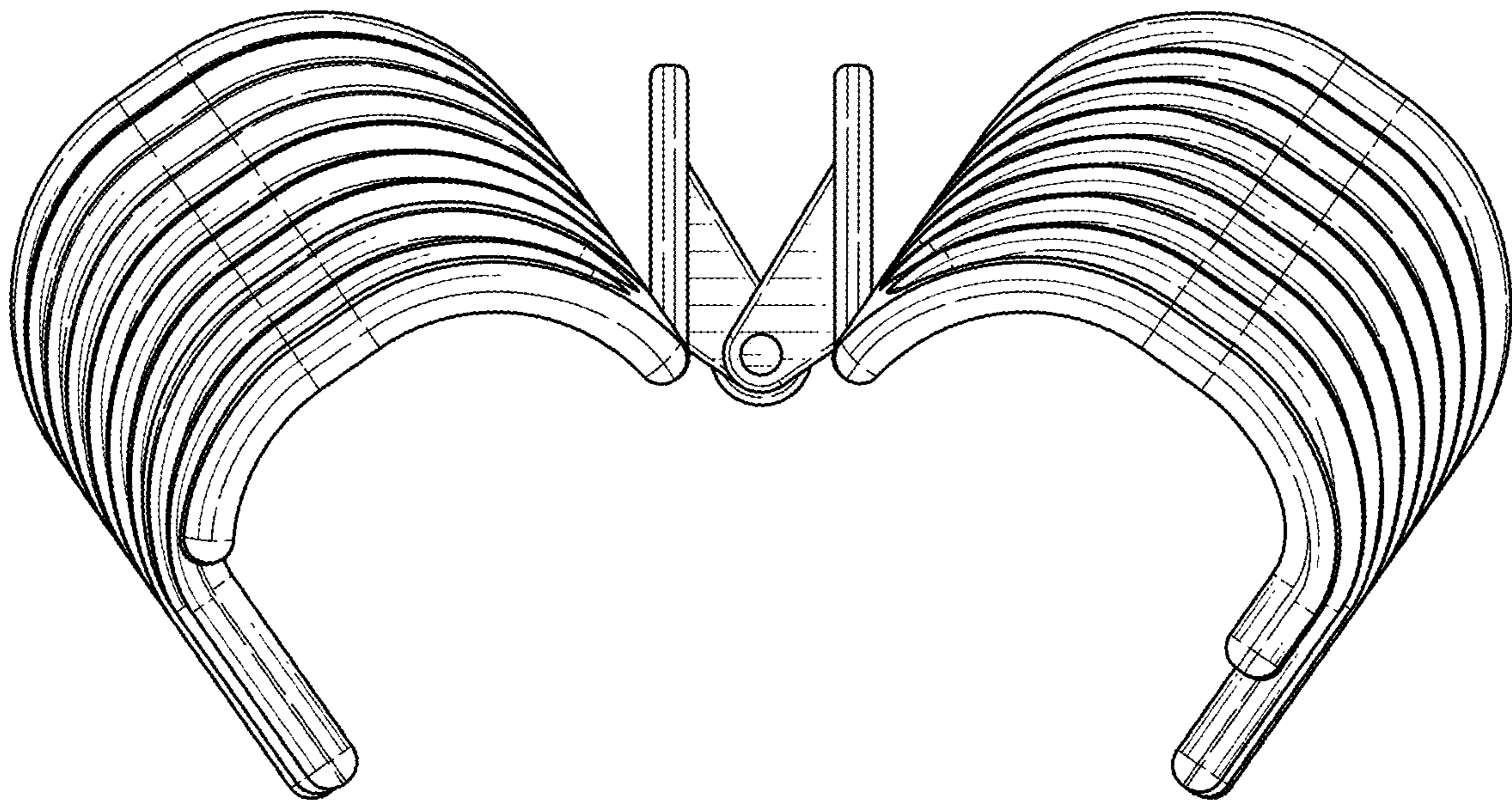


FIG. 14