



US00D904689S

(12) **United States Design Patent**
Yang

(10) **Patent No.:** **US D904,689 S**

(45) **Date of Patent:** **** Dec. 8, 2020**

(54) **HAIR STRAIGHTENER**

(71) Applicant: **Hongyong Yang**, Guangdong (CN)

(72) Inventor: **Hongyong Yang**, Guangdong (CN)

(73) Assignee: **Shenzhen Airulsi Electric Co., Ltd.**,
Guangdong (CN)

(**) Term: **15 Years**

(21) Appl. No.: **29/692,785**

(22) Filed: **May 29, 2019**

(51) **LOC (12) Cl.** **28-03**

(52) **U.S. Cl.**
USPC **D28/35**

(58) **Field of Classification Search**
USPC D28/35, 37-38
CPC A45D 2/001; A45D 2/002; A45D 1/06;
A45D 1/08; A45D 1/10; A45D 1/12;
A45D 1/14; A45D 1/18
See application file for complete search history.

(56) **References Cited**

U.S. PATENT DOCUMENTS

D627,511 S * 11/2010 Kim D28/35
D724,267 S * 3/2015 Thornley D28/35
D726,964 S * 4/2015 Smith D28/35
D798,503 S * 9/2017 Ceva D28/35

D816,902 S * 5/2018 Delassus D28/35
D825,848 S * 8/2018 Brady D28/35
D829,989 S * 10/2018 Feng D28/35
D837,448 S * 1/2019 Maochang D28/35
D850,002 S * 5/2019 Bates D28/35
D876,721 S * 2/2020 Lin D28/35
D884,272 S * 5/2020 Liao D28/35

* cited by examiner

Primary Examiner — Jennifer Rivard

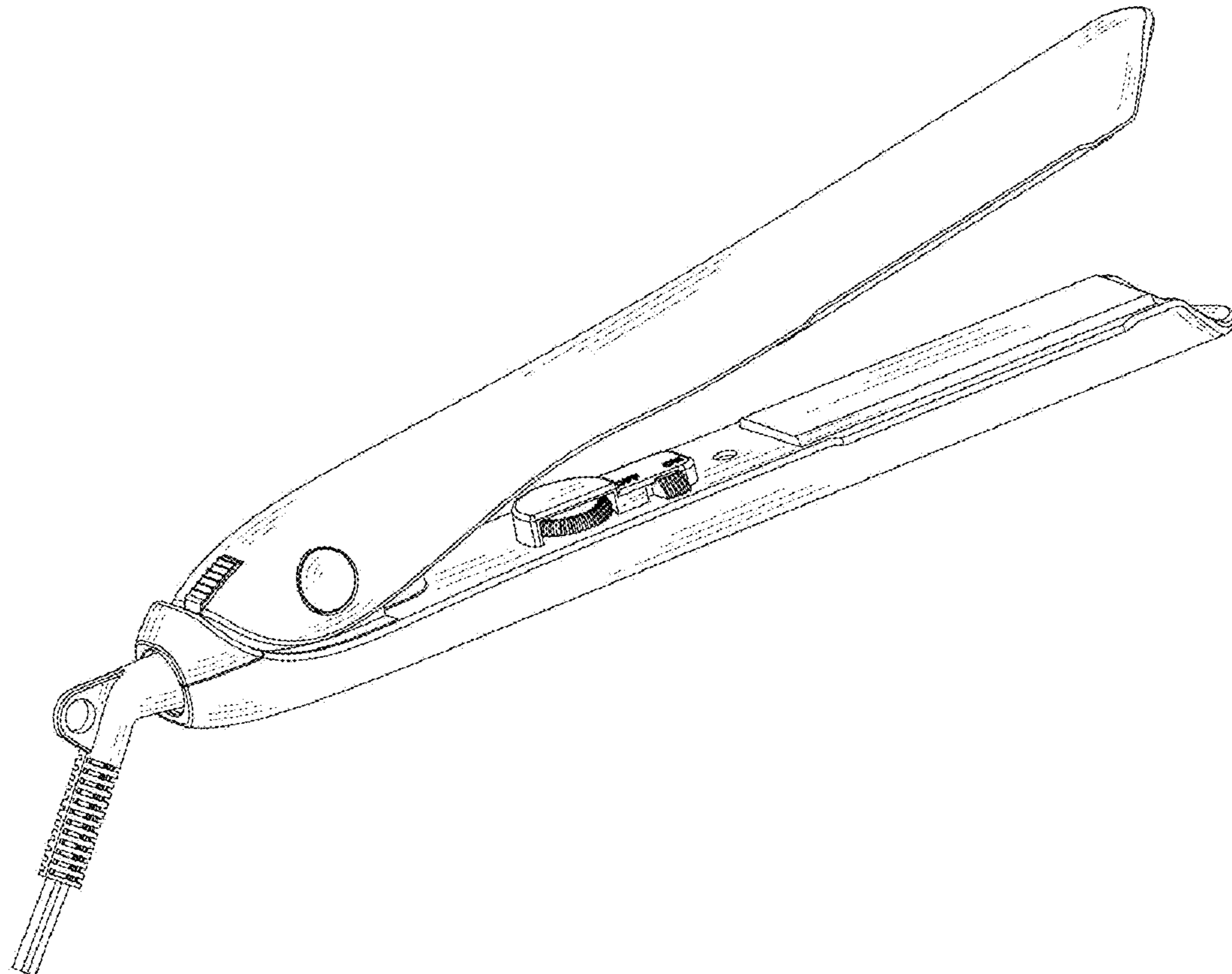
(57) **CLAIM**

I claim the ornamental design for the hair straightener, as shown and described.

DESCRIPTION

FIG. 1 is a perspective view of a hair straightener showing my new design;
FIG. 2 is a front elevational view thereof;
FIG. 3 is a rear elevational view thereof;
FIG. 4 is a left side elevational view thereof;
FIG. 5 is a right side elevational view thereof;
FIG. 6 is a top plan view thereof;
FIG. 7 is a bottom plan view thereof;
FIG. 8 is a rear, right, bottom perspective view thereof; and,
FIG. 9 is a perspective view showing the hair straightener in a closed state.

1 Claim, 9 Drawing Sheets



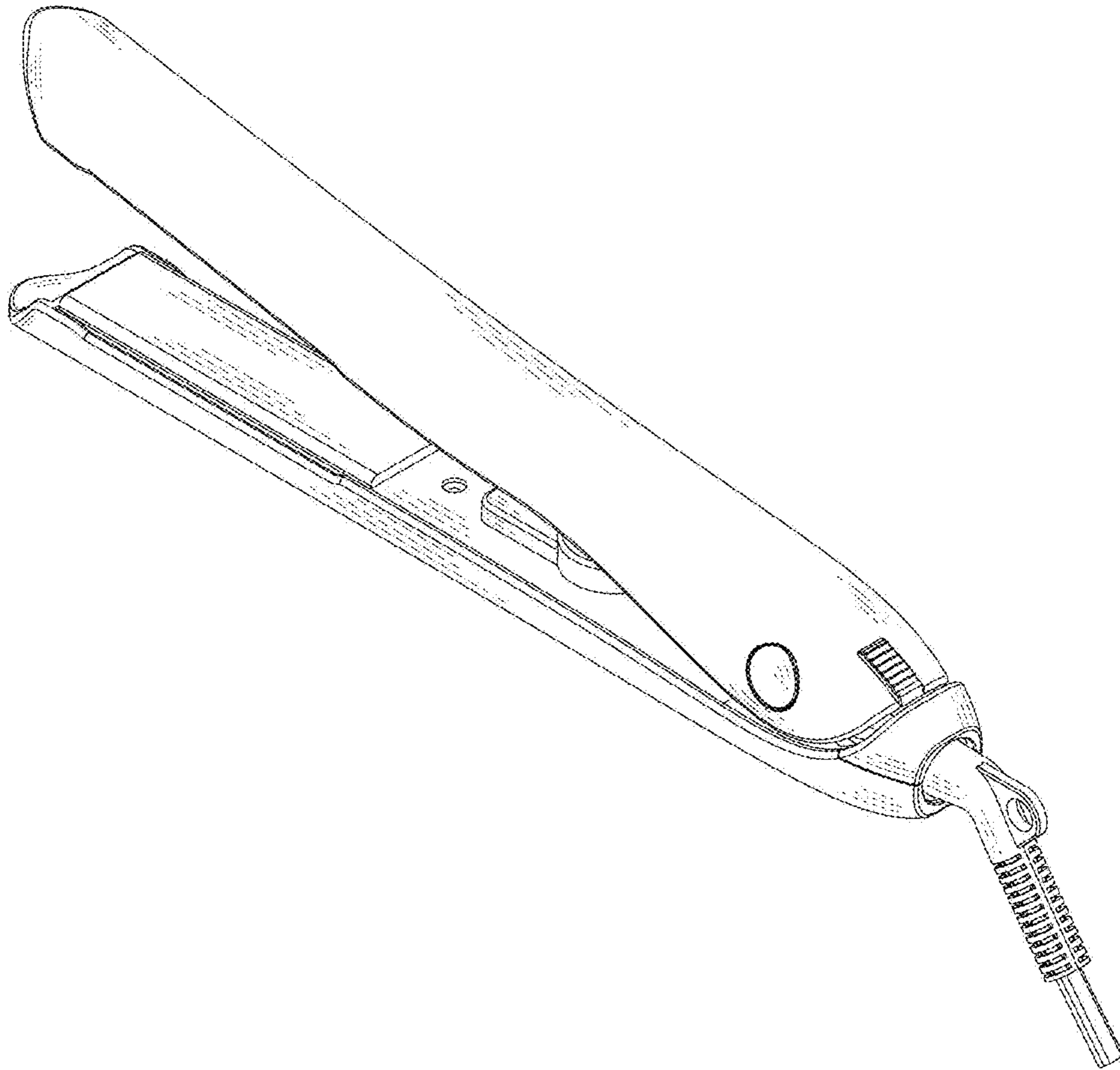


FIG. 1

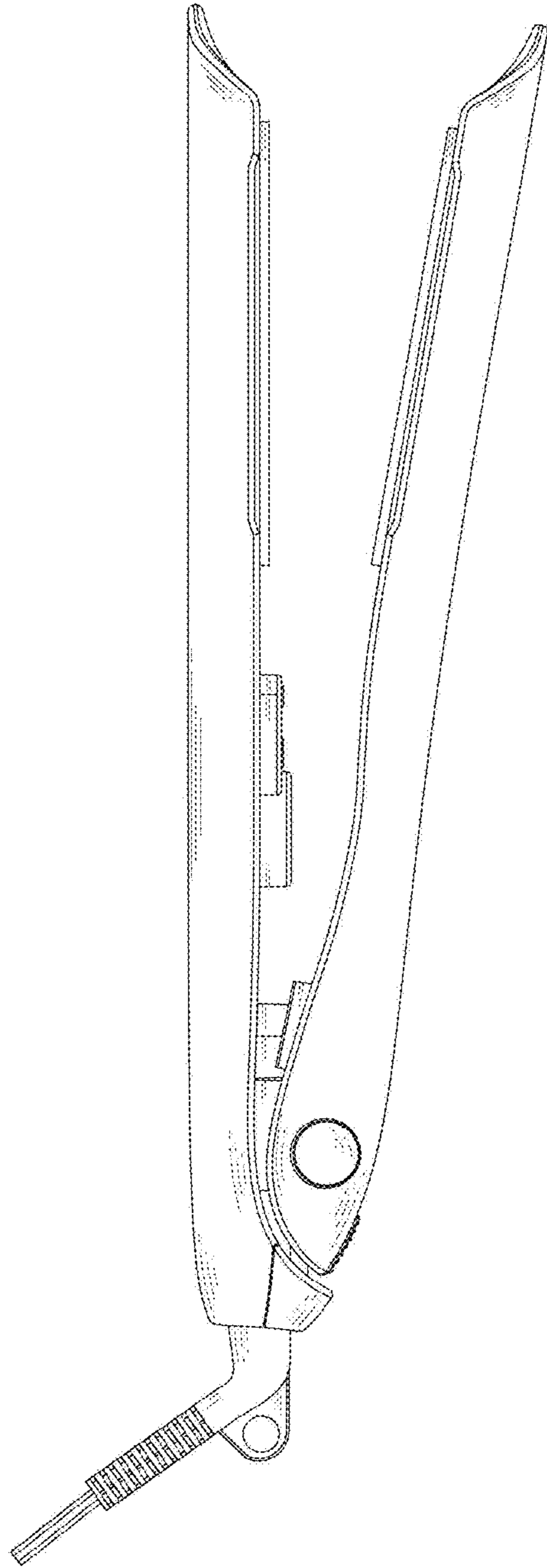


FIG. 2

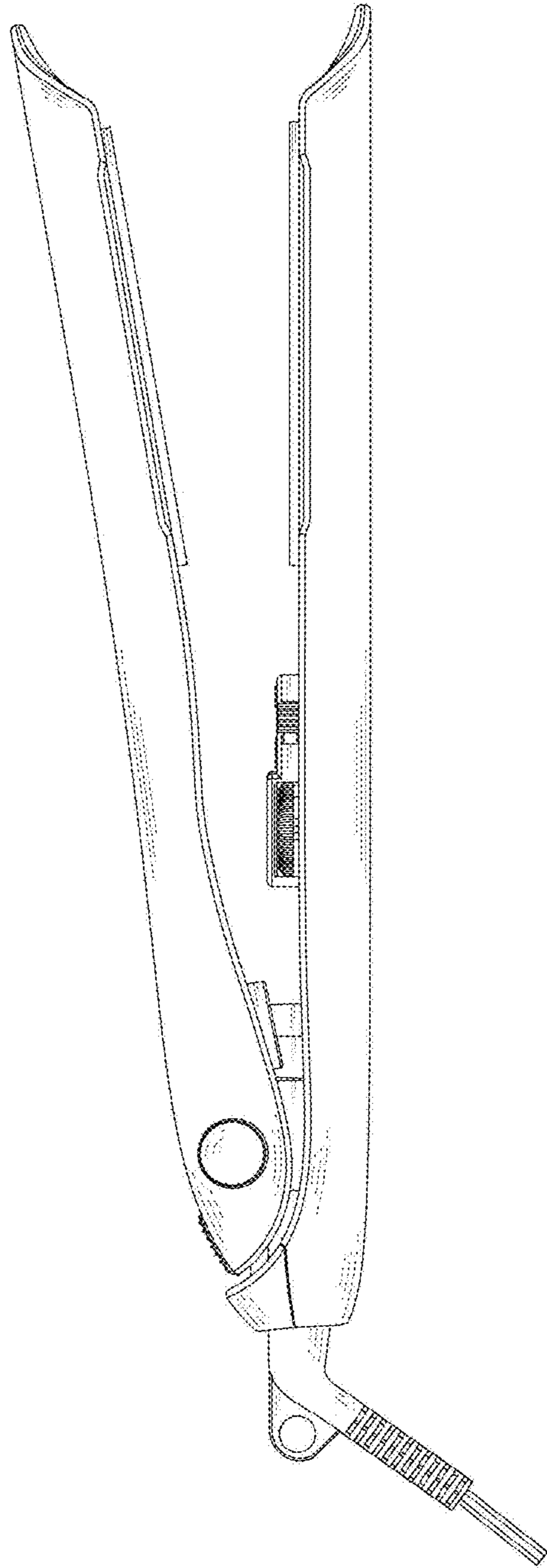


FIG. 3

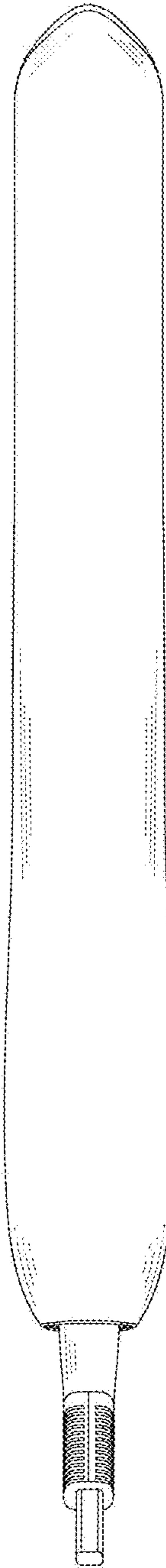


FIG. 4

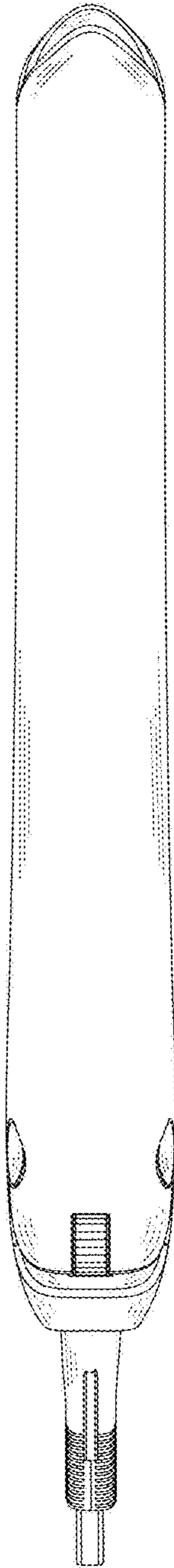


FIG. 5

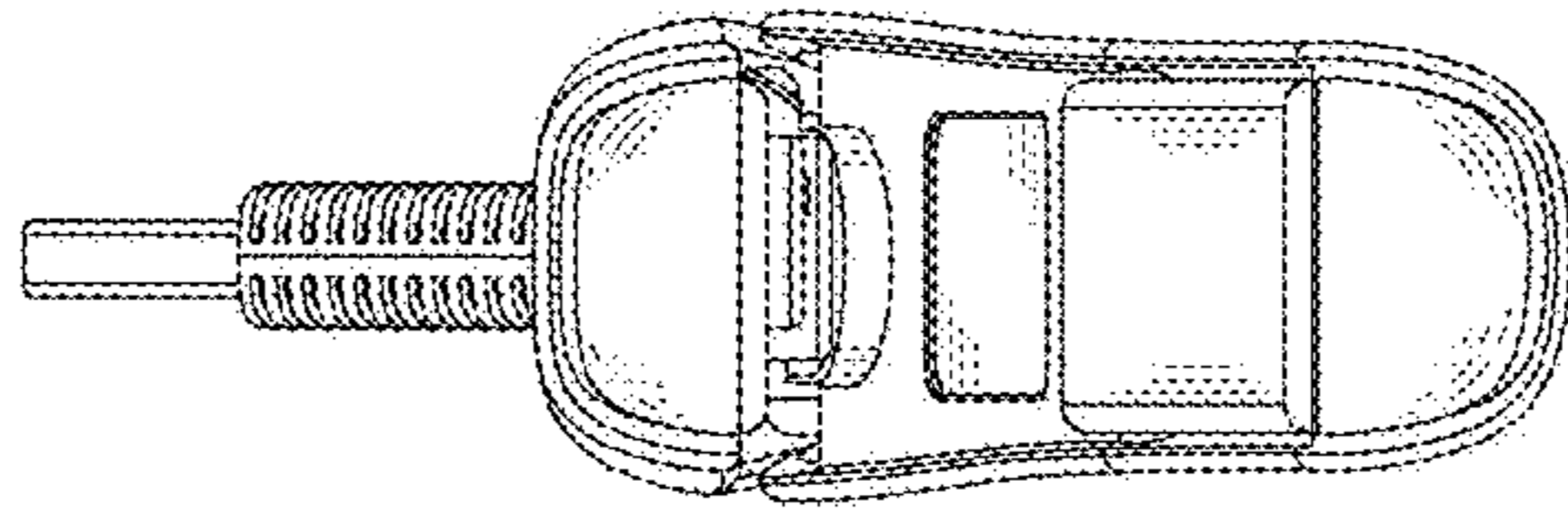


FIG. 6

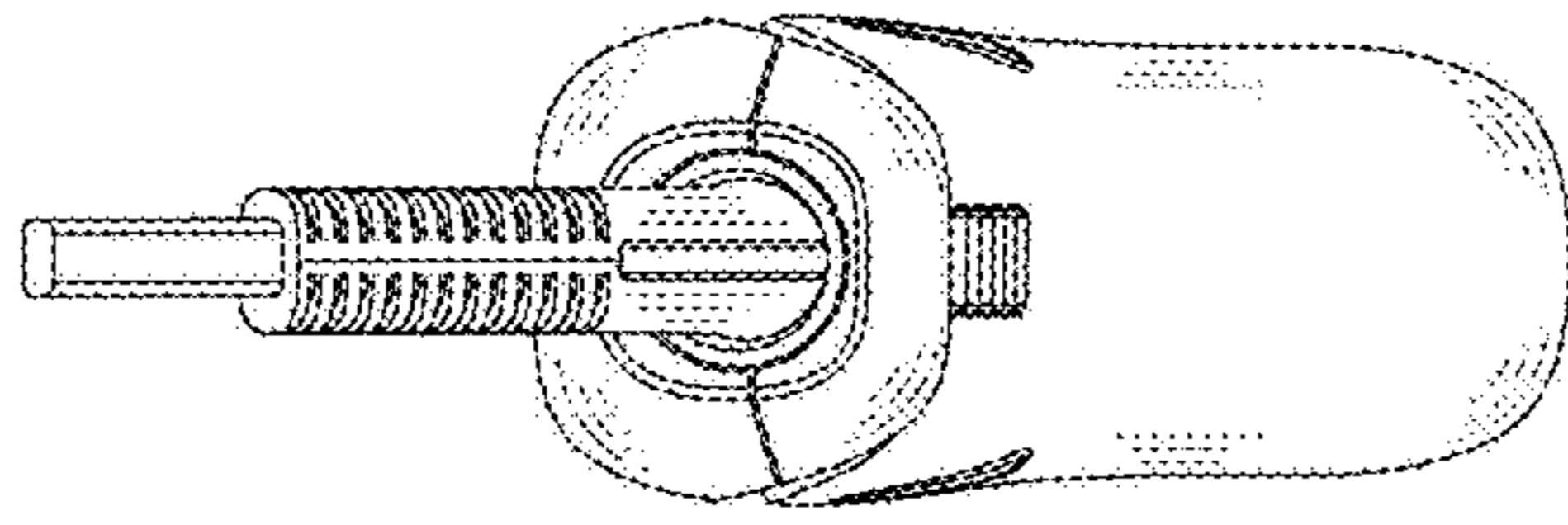


FIG. 7

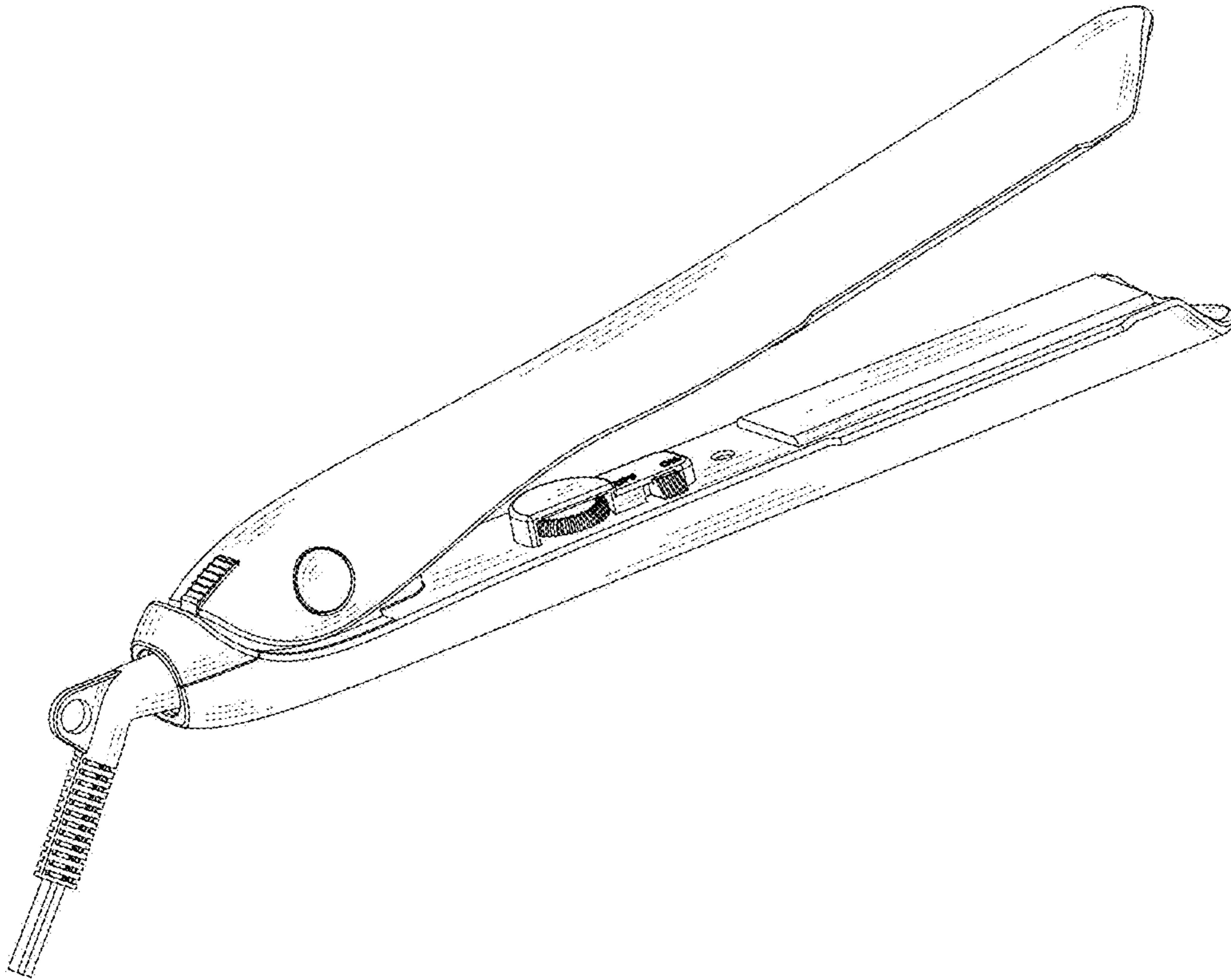


FIG. 8

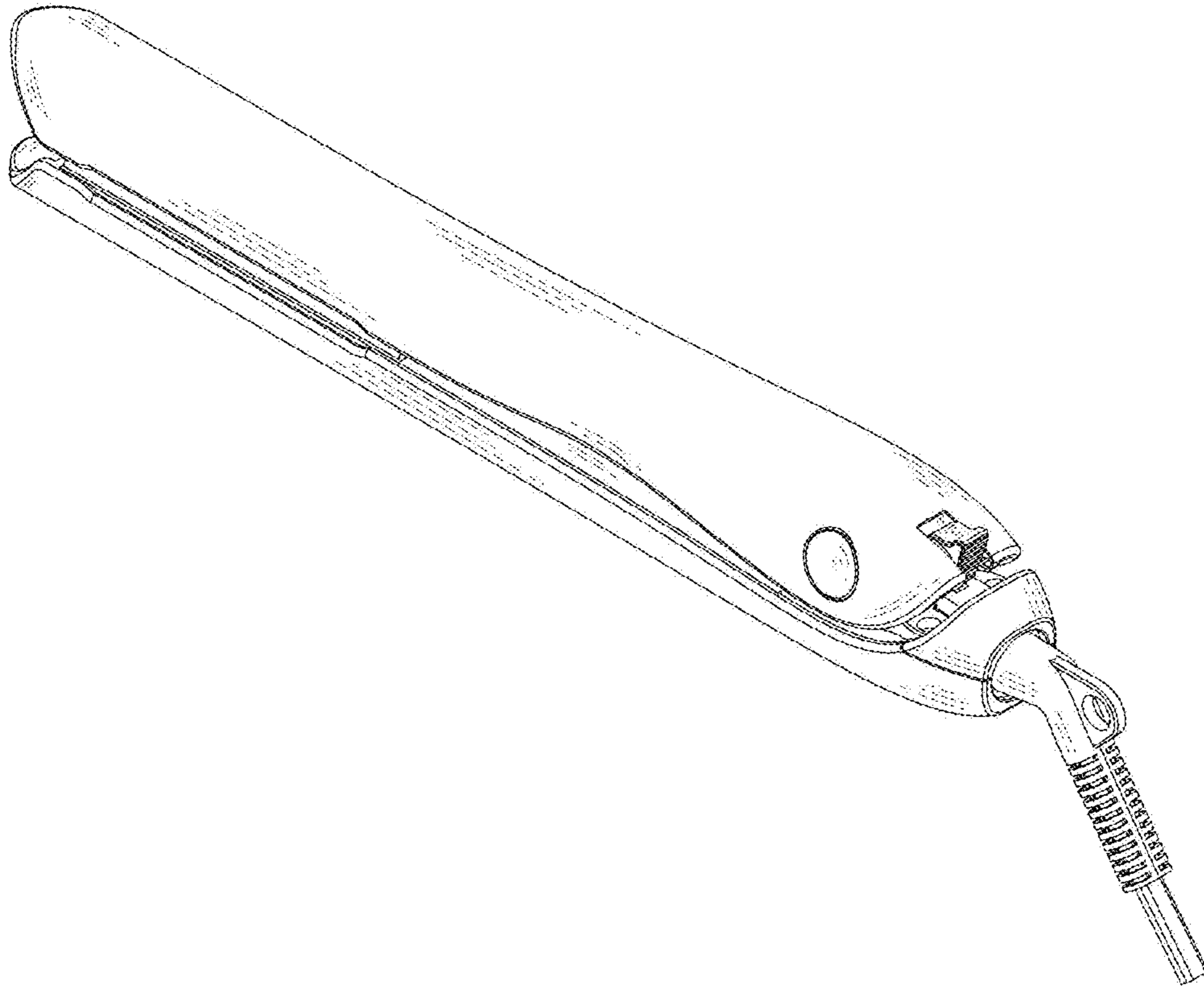


FIG. 9