



US00D904688S

(12) **United States Design Patent** (10) **Patent No.:** **US D904,688 S**
Araujo et al. (45) **Date of Patent:** **** Dec. 8, 2020**

(54) **HAIR DRYER DIFFUSER**

Primary Examiner — Zenia I Bennett

(71) Applicants: **Igor Ribeiro de Araujo**, Wilton Manors, FL (US); **Chad A. Pendley**, Wilton Manors, FL (US)

(74) *Attorney, Agent, or Firm* — Robert M. Schwartz

(72) Inventors: **Igor Ribeiro de Araujo**, Wilton Manors, FL (US); **Chad A. Pendley**, Wilton Manors, FL (US)

(57) **CLAIM**

The ornamental design of a hair dryer diffuser, as shown and described.

(73) Assignee: **CANDI LLC**, Wilton Manors, FL (US)

(**) Term: **15 Years**

DESCRIPTION

(21) Appl. No.: **29/676,483**

FIG. 1 is a front top view showing the new invention.
 FIG. 2 is a front top perspective view of the invention.
 FIG. 3 is a bottom view of the invention.
 FIG. 4 is a bottom front perspective view of the invention.
 FIG. 5 is a side view of the invention with the left and right side views being identical mirror images of each other.
 FIG. 6 is a rear view of the invention.
 FIG. 7 is a front top perspective view showing a first alternate embodiment of the invention.
 FIG. 8 is a front view of the first alternate embodiment.
 FIG. 9 is a front top perspective view of a second alternative embodiment of the invention.
 FIG. 10 is a front view of the second alternative embodiment.
 FIG. 11 is a front top perspective view of a third alternative embodiment of the invention.
 FIG. 12 is a top view of the third alternative embodiment.
 FIG. 13 is a bottom view of the third alternative embodiment.
 FIG. 14 is a front top perspective view of a fourth alternative embodiment of the invention; and,
 FIG. 15 is a front view of the fourth embodiment.
 Surface shading has been added in the drawing figures to show the character and contour of the surfaces of the design.

(22) Filed: **Jan. 11, 2019**

(51) **LOC (12) Cl.** **28-03**

(52) **U.S. Cl.**
USPC **D28/18**

(58) **Field of Classification Search**
USPC D28/12–19
CPC A45D 20/12; A45D 20/00
See application file for complete search history.

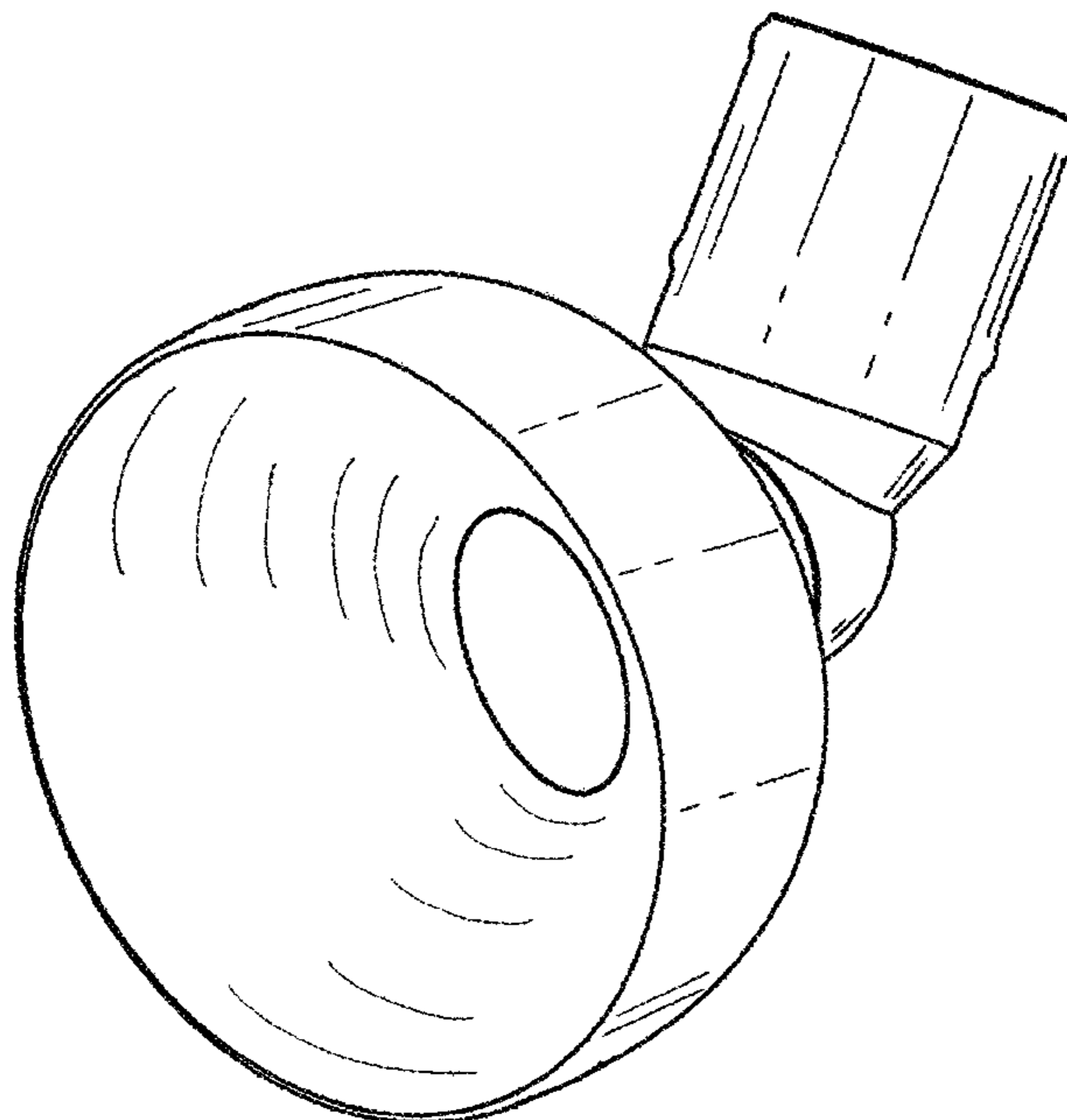
(56) **References Cited**

U.S. PATENT DOCUMENTS

D429,374 S *	8/2000	Muller	D28/18
D432,717 S *	10/2000	Micinilio	D28/13
D462,141 S *	8/2002	Carlucci	D28/18
D477,112 S *	7/2003	Yeung	D28/18
D617,945 S *	6/2010	Kim	D28/18
D622,001 S *	8/2010	Zabala	D28/18
D715,486 S *	10/2014	Brady	A45D 20/12
				D28/18
D729,449 S *	5/2015	Sayers	D28/18
D782,735 S *	3/2017	Stephens	D28/18
D782,736 S *	3/2017	Stephens	D28/18

* cited by examiner

1 Claim, 15 Drawing Sheets



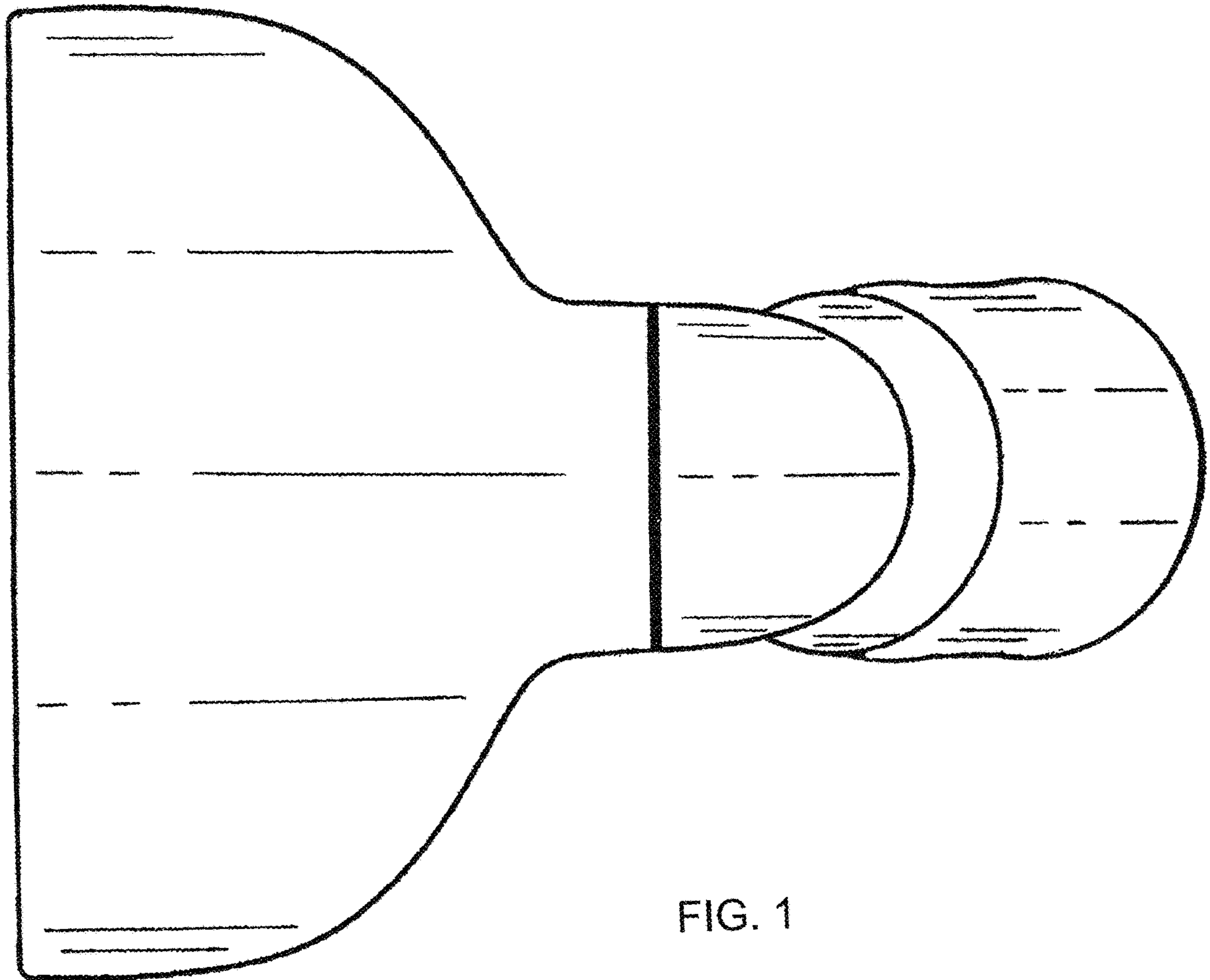


FIG. 1

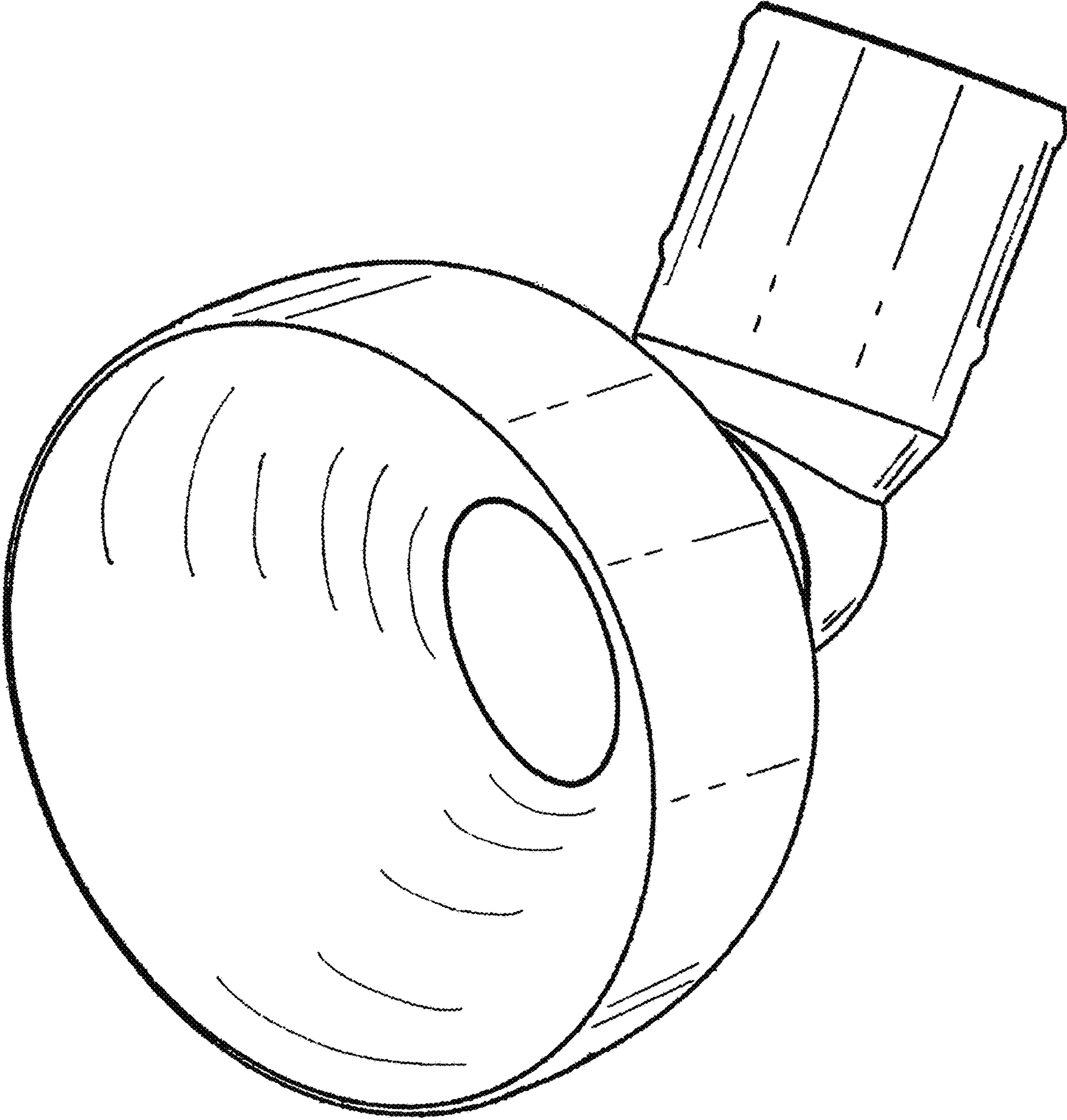


FIG. 2

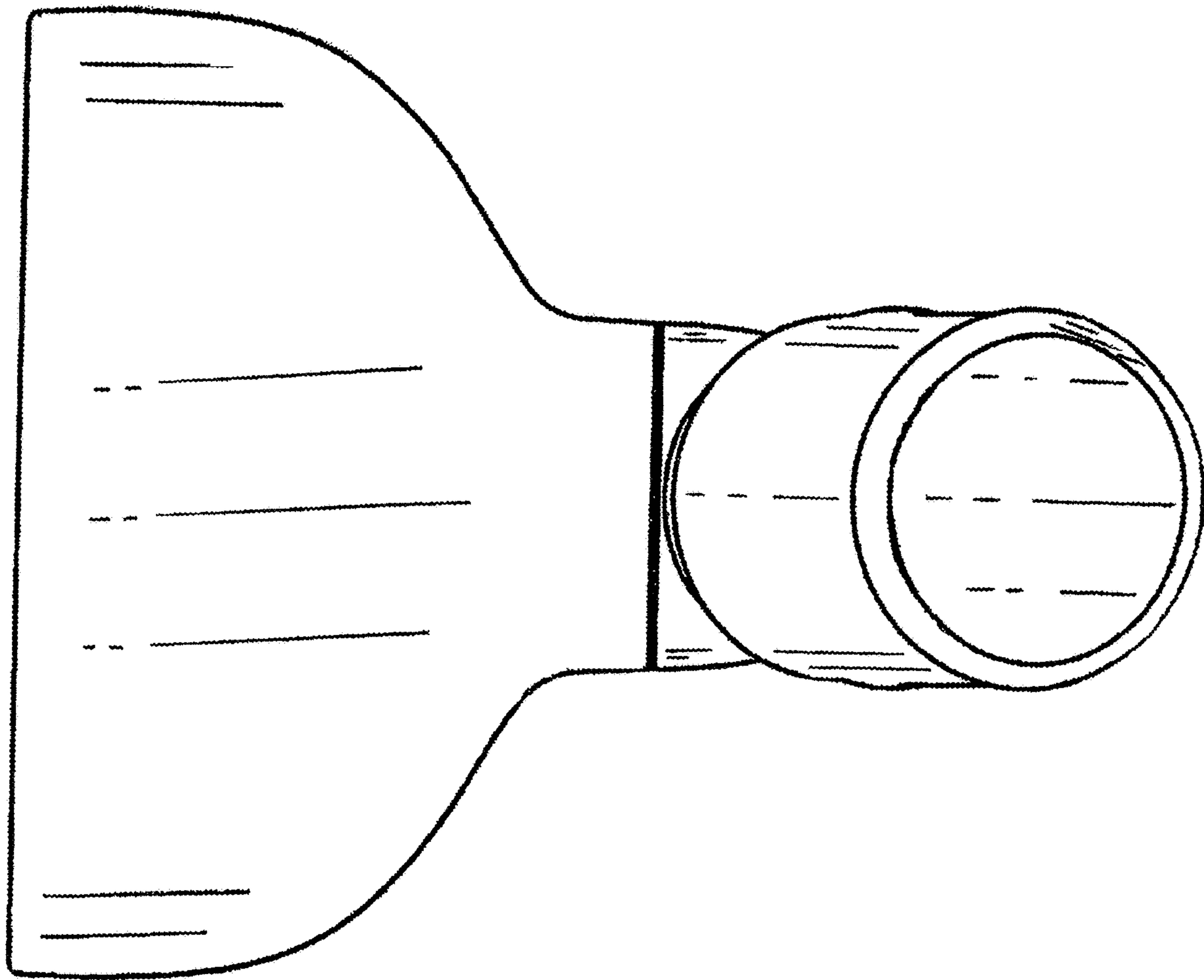


FIG. 3

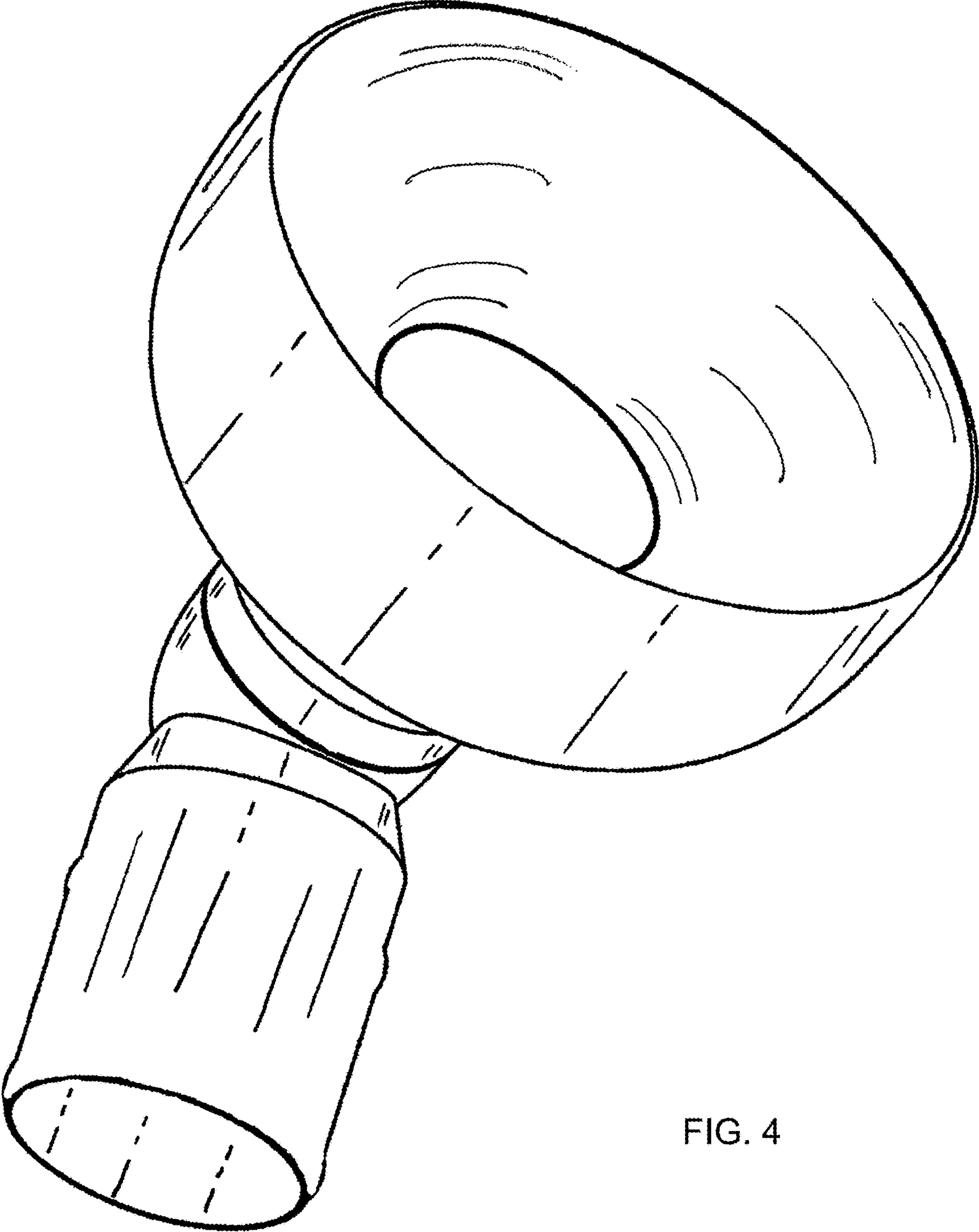
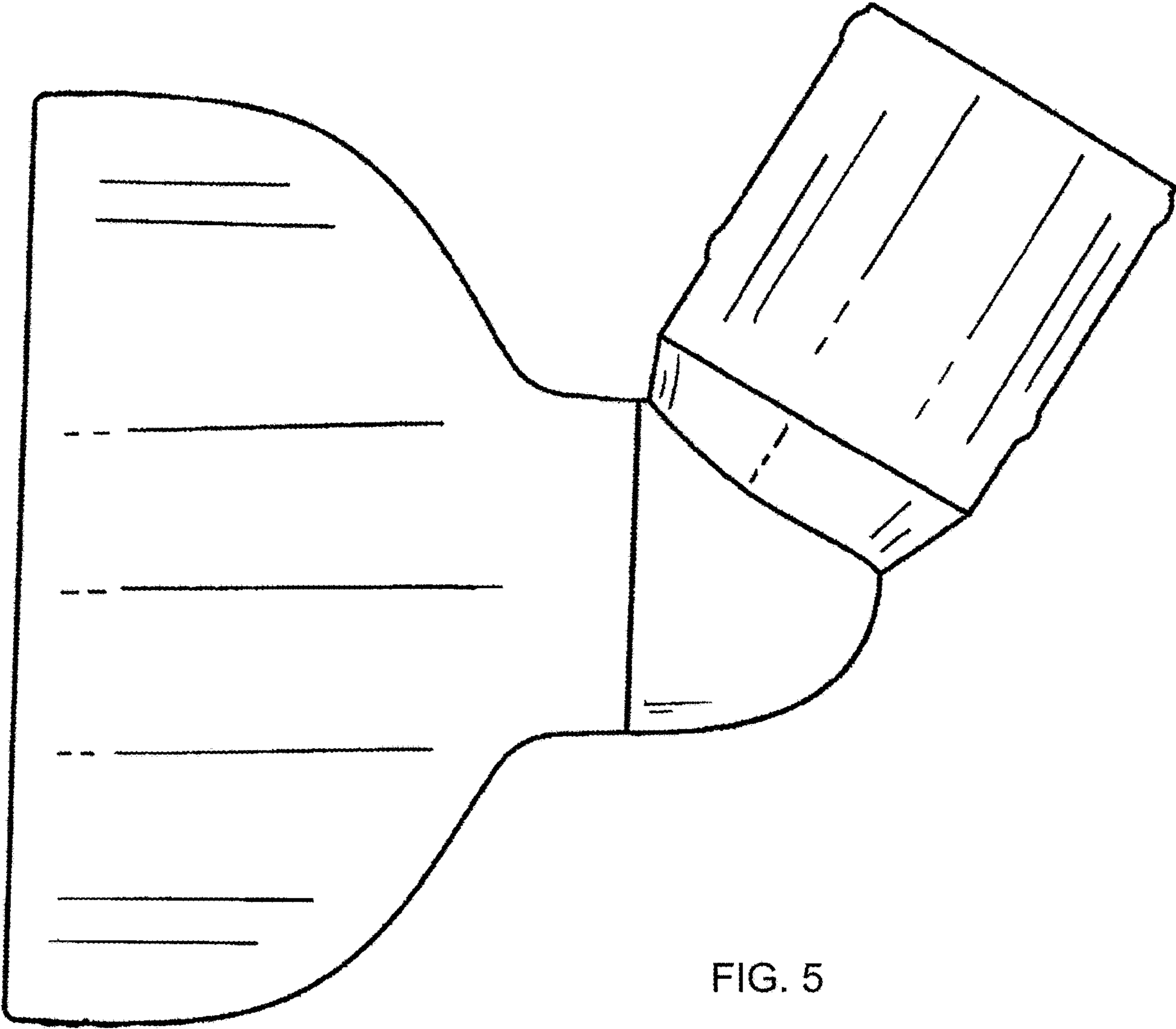


FIG. 4



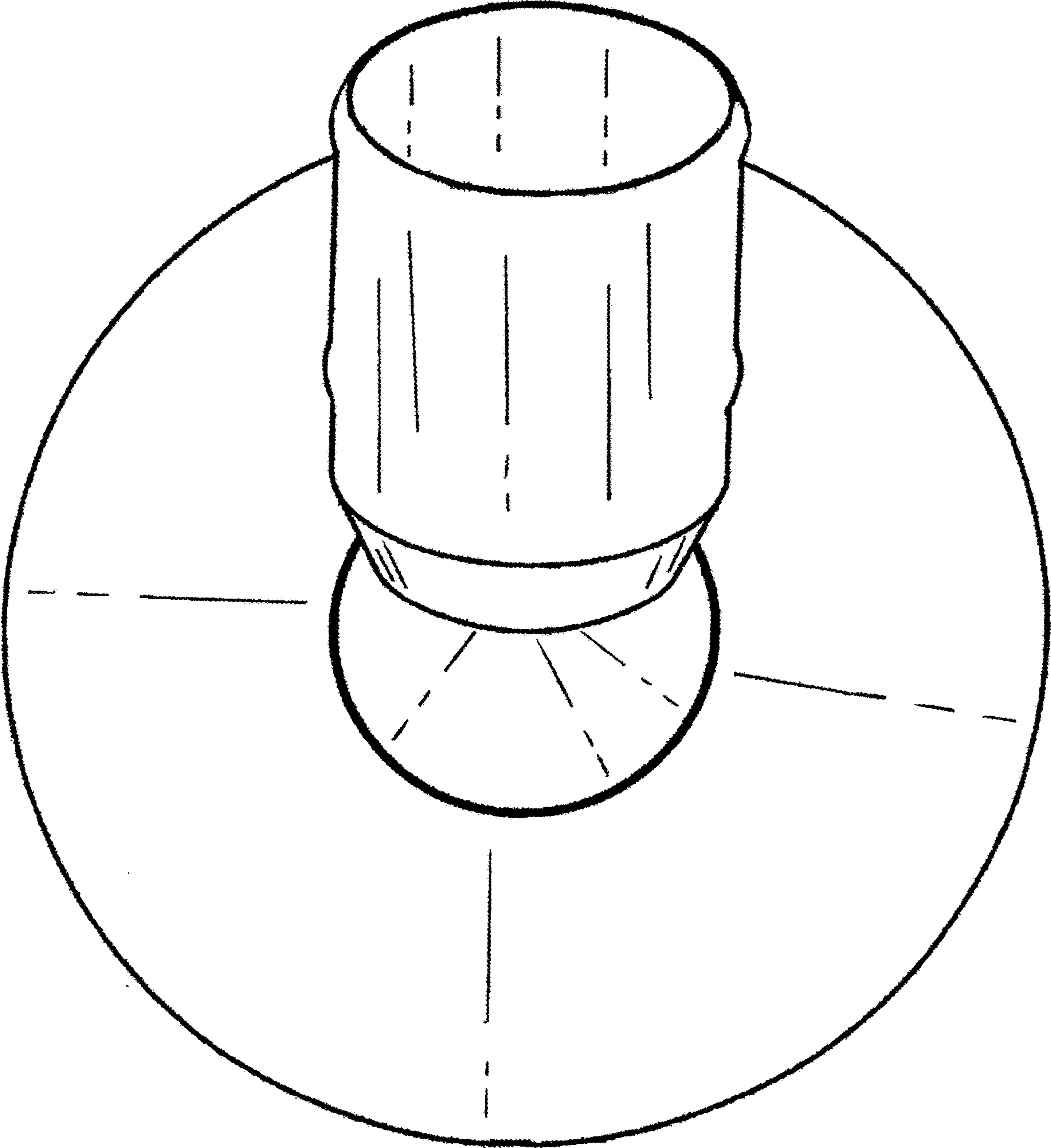


FIG. 6

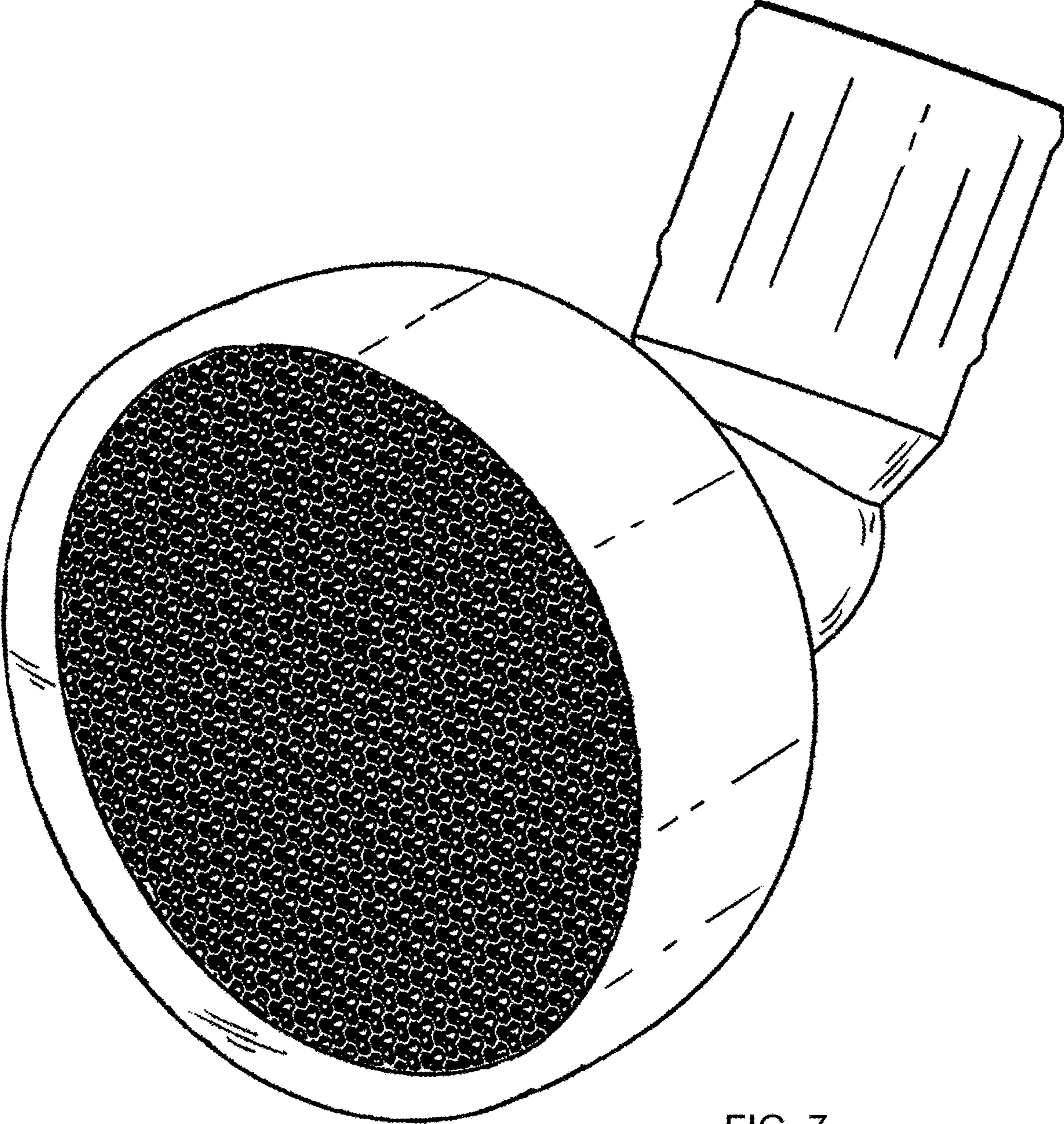


FIG. 7

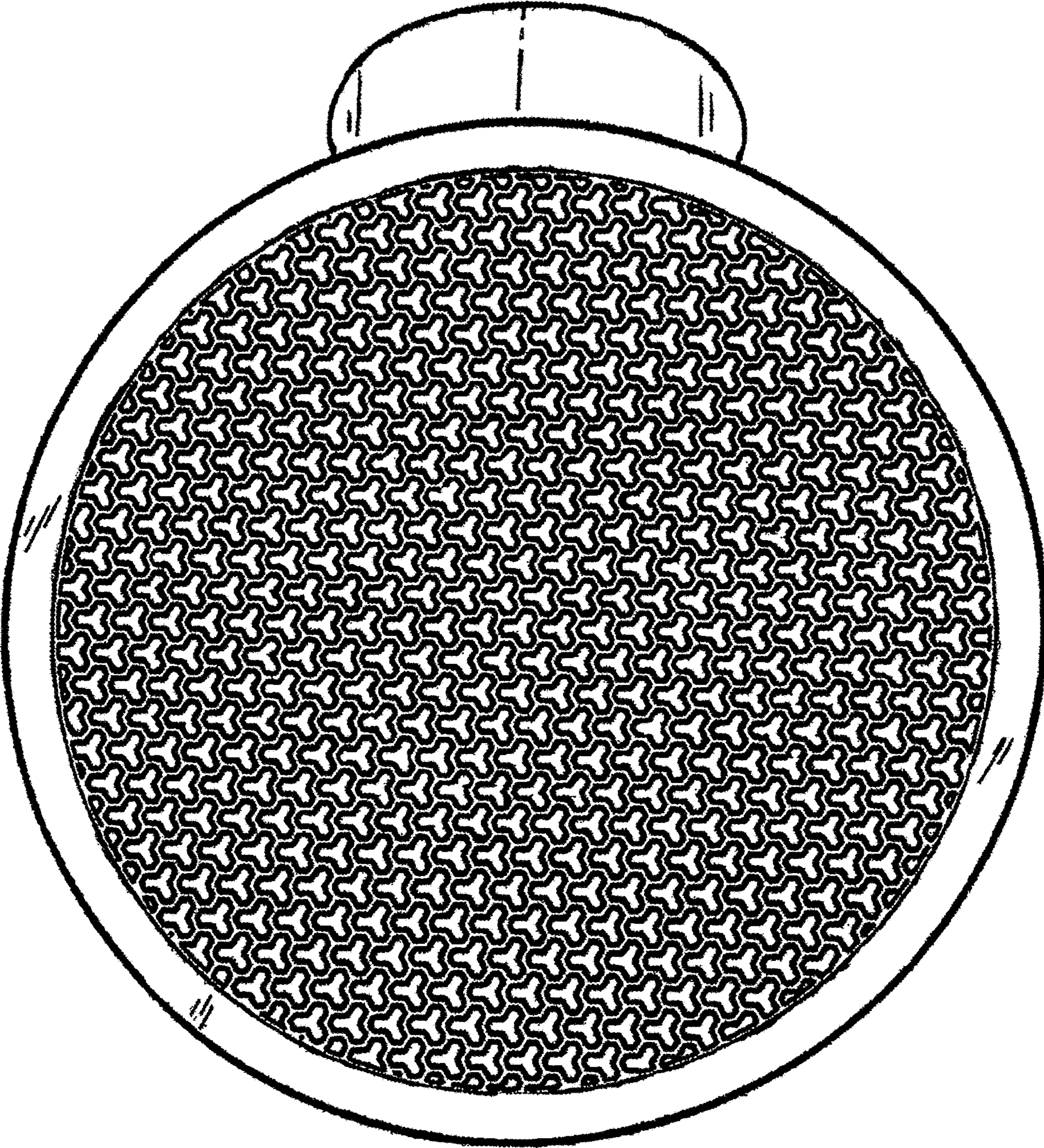


FIG. 8

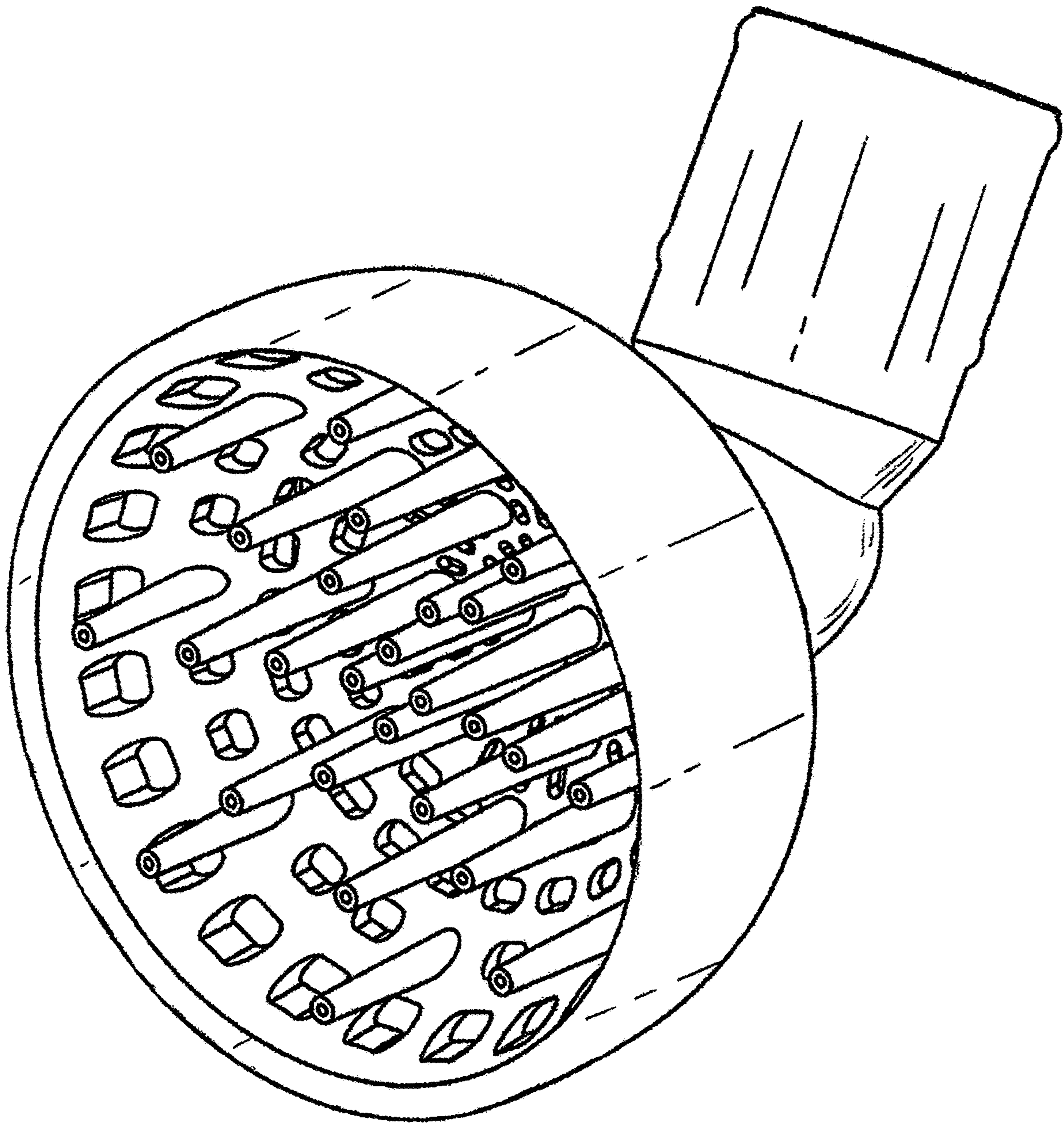


FIG. 9

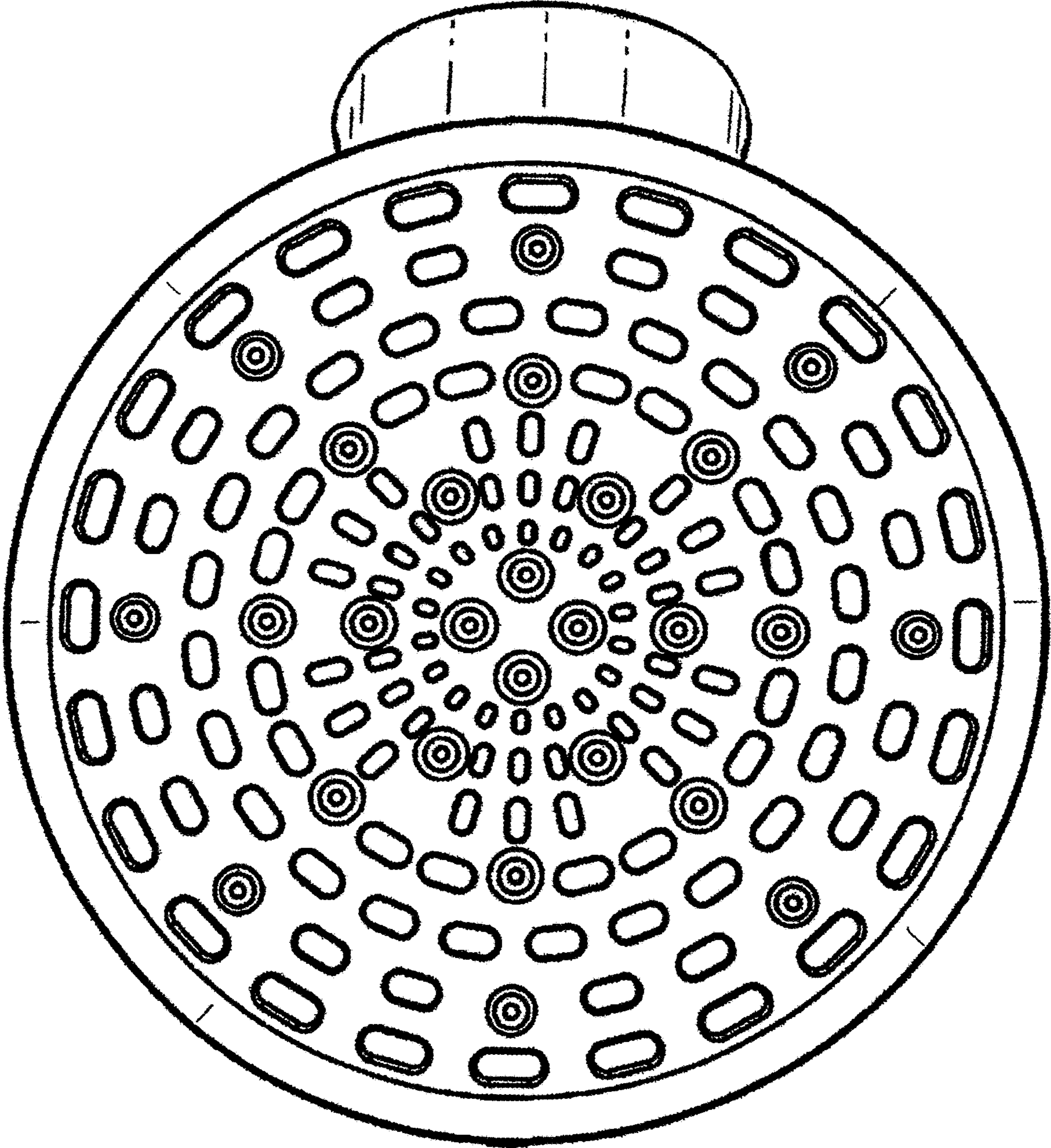


FIG. 10

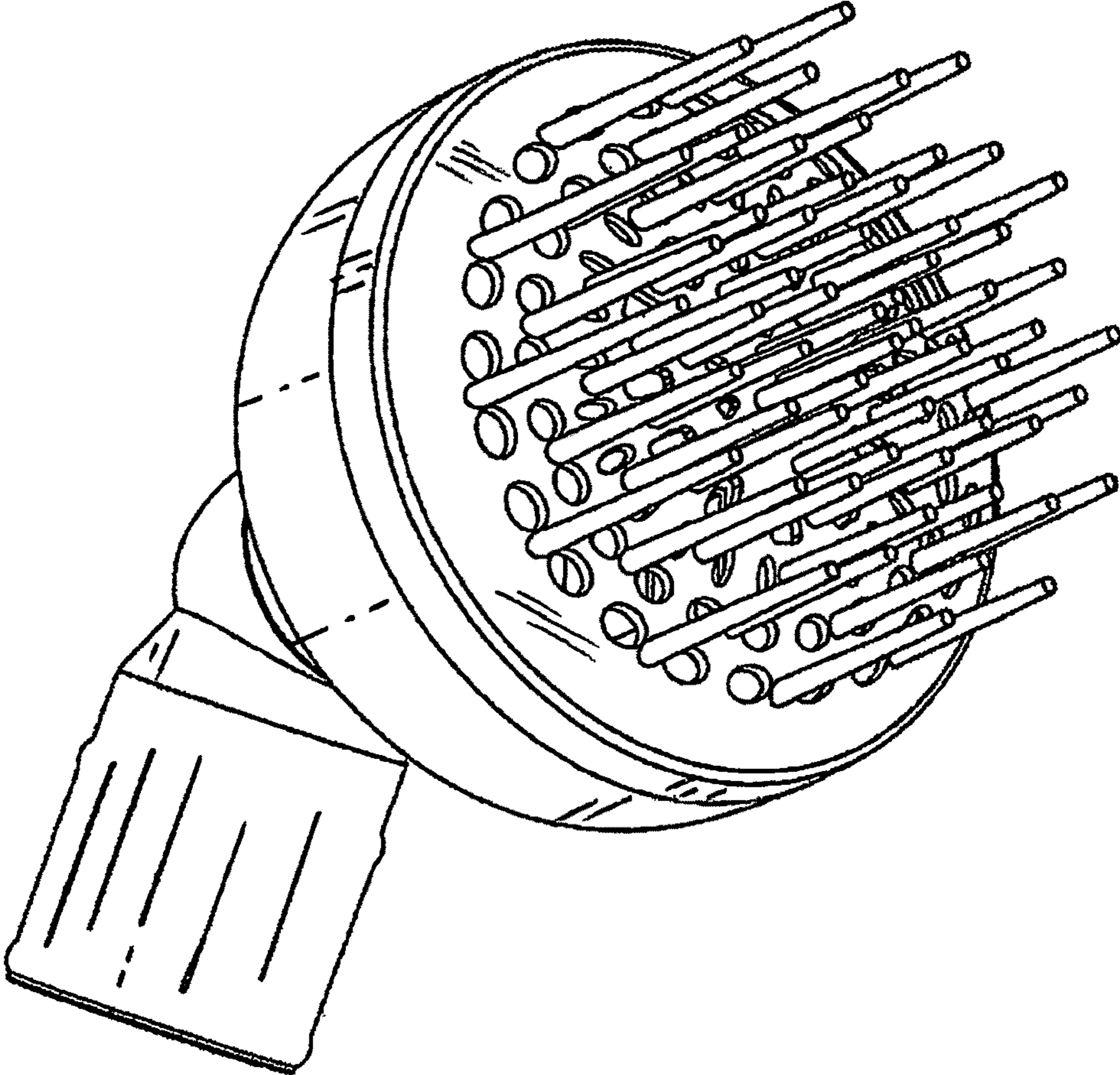


FIG. 11

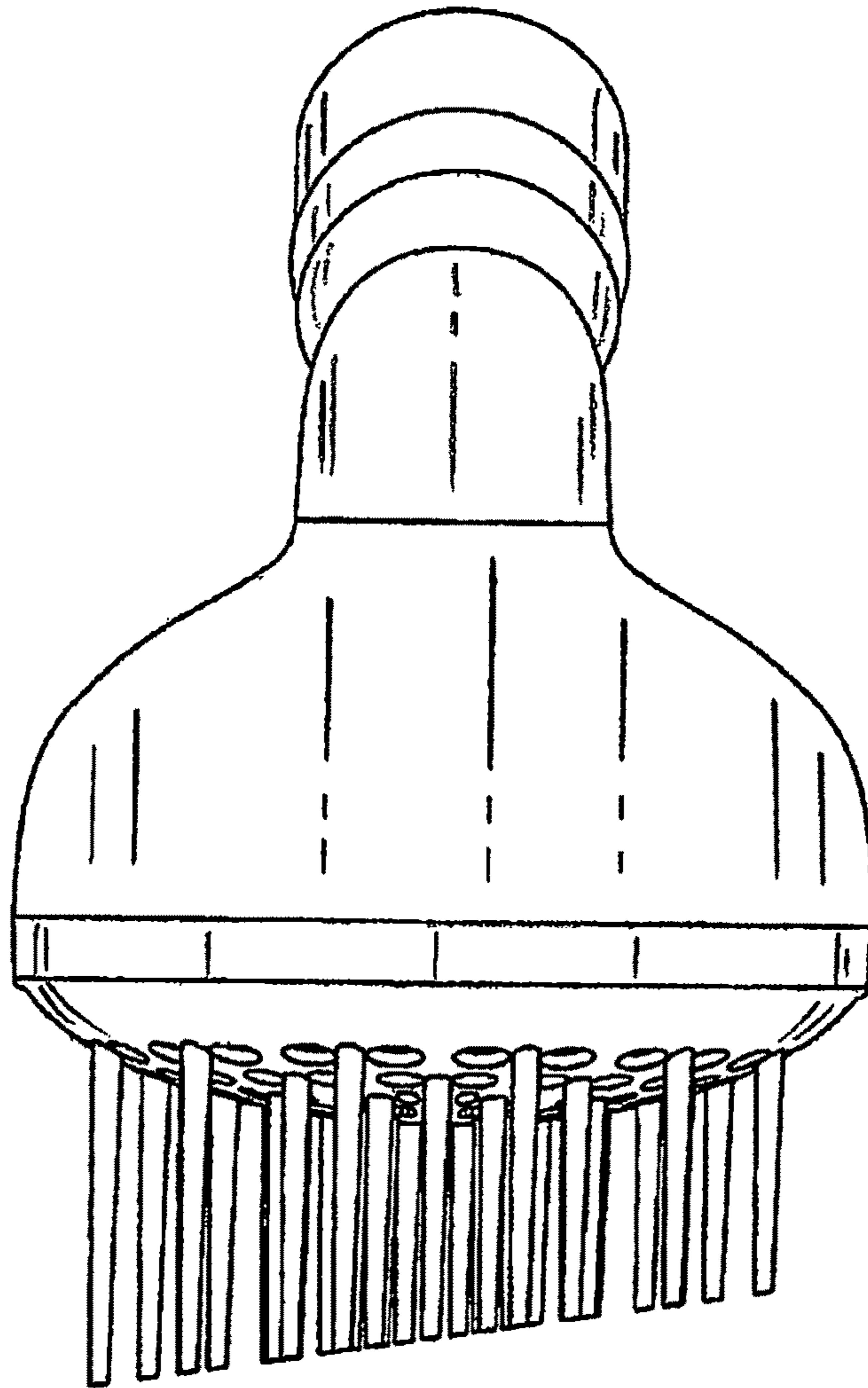


FIG. 12

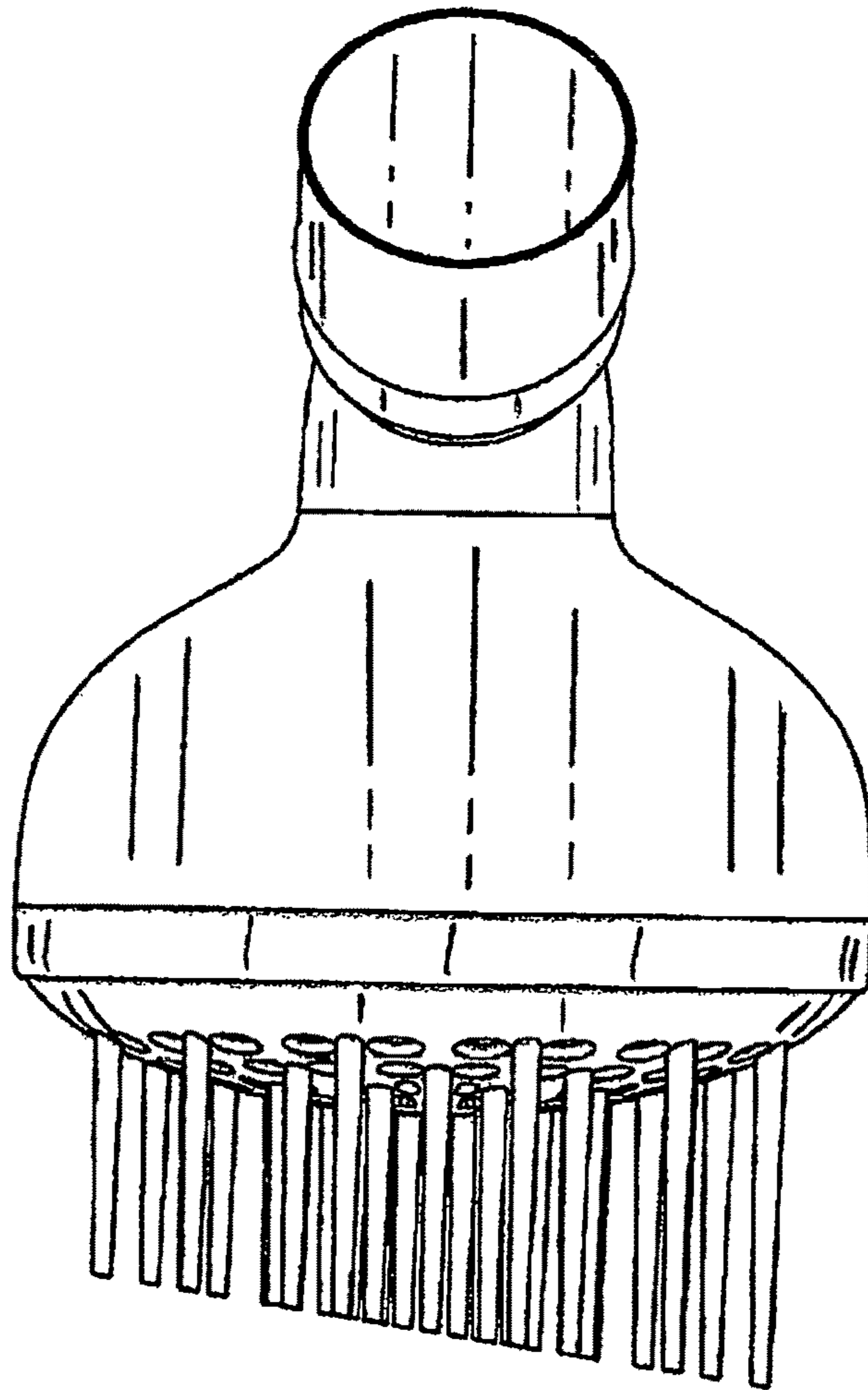


FIG. 13

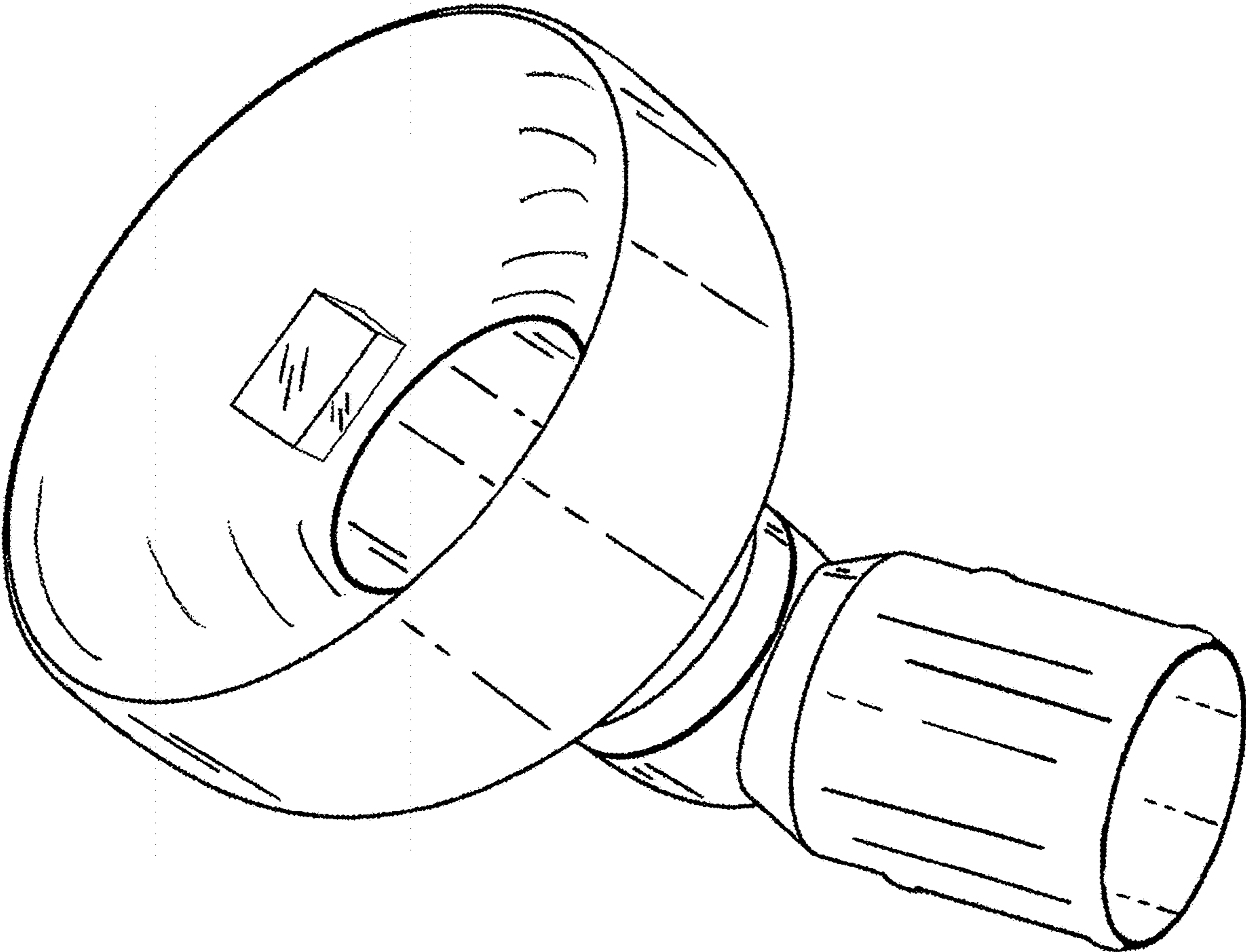


FIG. 14

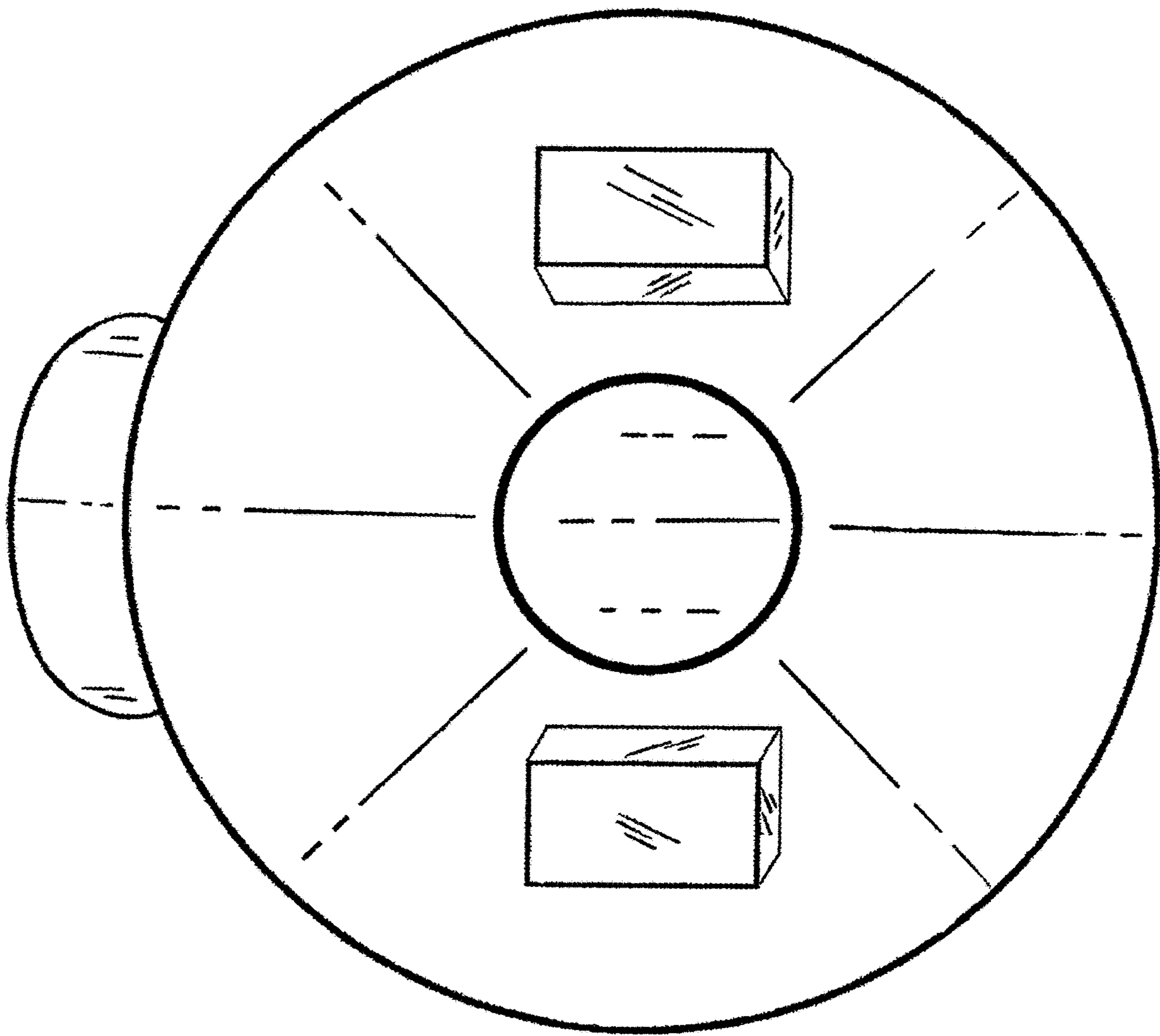


FIG. 15