



US00D904687S

(12) **United States Design Patent**
Xiong

(10) **Patent No.:** **US D904,687 S**

(45) **Date of Patent:** **** Dec. 8, 2020**

(54) **HAIR DRYER**

(71) Applicant: **SHENZHEN MEIDUOJIAO TECHNOLOGY CO., LTD.**, Shenzhen (CN)

(72) Inventor: **Jie Xiong**, Jingzhou (CN)

(**) Term: **15 Years**

(21) Appl. No.: **29/707,535**

(22) Filed: **Sep. 29, 2019**

(51) **LOC (12) Cl.** **28-03**

(52) **U.S. Cl.**
USPC **D28/13**

(58) **Field of Classification Search**
USPC D28/12-19
CPC A45D 20/04; A45D 20/06; A45D 20/08;
A45D 20/10; A45D 20/128
See application file for complete search history.

(56) **References Cited**

U.S. PATENT DOCUMENTS

D716,492 S *	10/2014	Dyson	A45D 20/12
				D28/13
D729,979 S *	5/2015	Gammack	D28/13
D757,362 S *	5/2016	Dyson	D28/13
D782,732 S *	3/2017	Smith	D28/13
D782,733 S *	3/2017	Smith	D28/13

D791,407 S *	7/2017	Smith	D28/13
D850,716 S *	6/2019	Jin	D28/13
D872,358 S *	1/2020	Liao	D28/13

* cited by examiner

Primary Examiner — Zenia I Bennett

(74) *Attorney, Agent, or Firm* — W&K IP

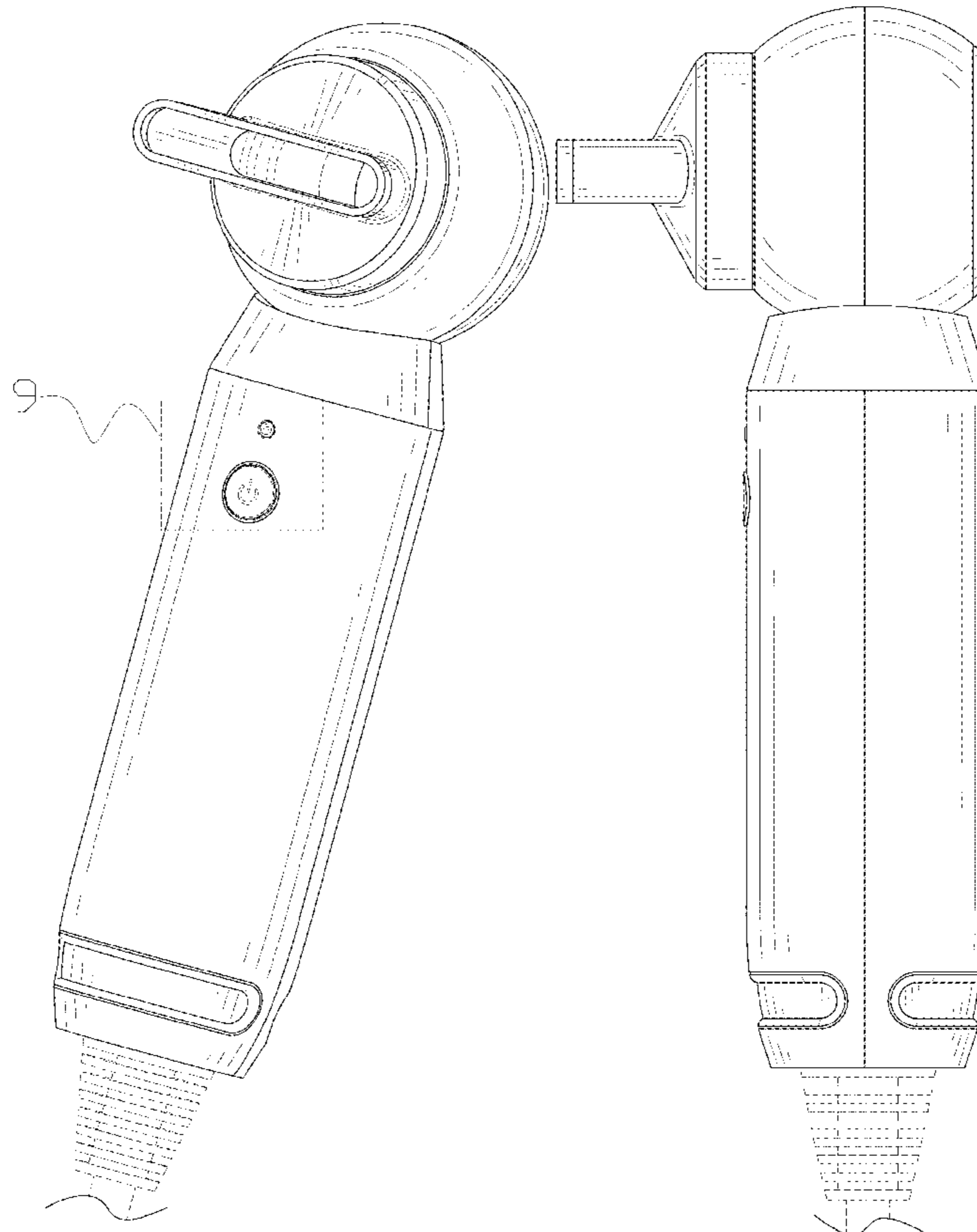
(57) **CLAIM**

The ornamental design for a hair dryer, as shown and described.

DESCRIPTION

FIG. 1 is a perspective view of a hair dryer showing my new design;
 FIG. 2 is another perspective view thereof;
 FIG. 3 is a front elevational view thereof;
 FIG. 4 is a rear elevational view thereof;
 FIG. 5 is a left side elevational view thereof;
 FIG. 6 is a right side elevational view thereof;
 FIG. 7 is a top plan view thereof;
 FIG. 8 is a bottom plan view thereof;
 FIG. 9 is an enlarged partial view of portion 9 of FIG. 1; and,
 FIG. 10 is an enlarged partial view of portion 10 of FIG. 2.
 The broken lines in the drawings depict portions of the hair dryer that form no part of the claimed design.

1 Claim, 10 Drawing Sheets



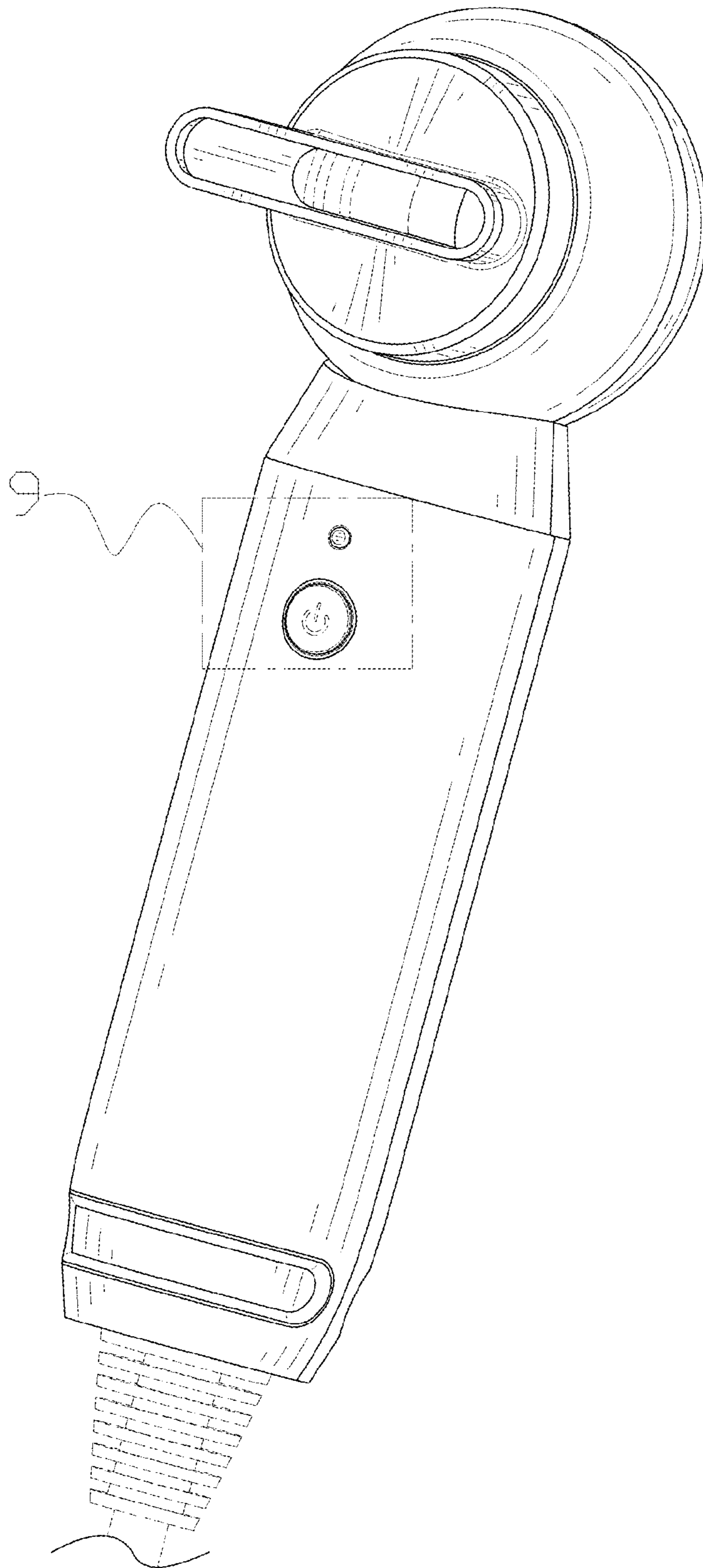


FIG. 1

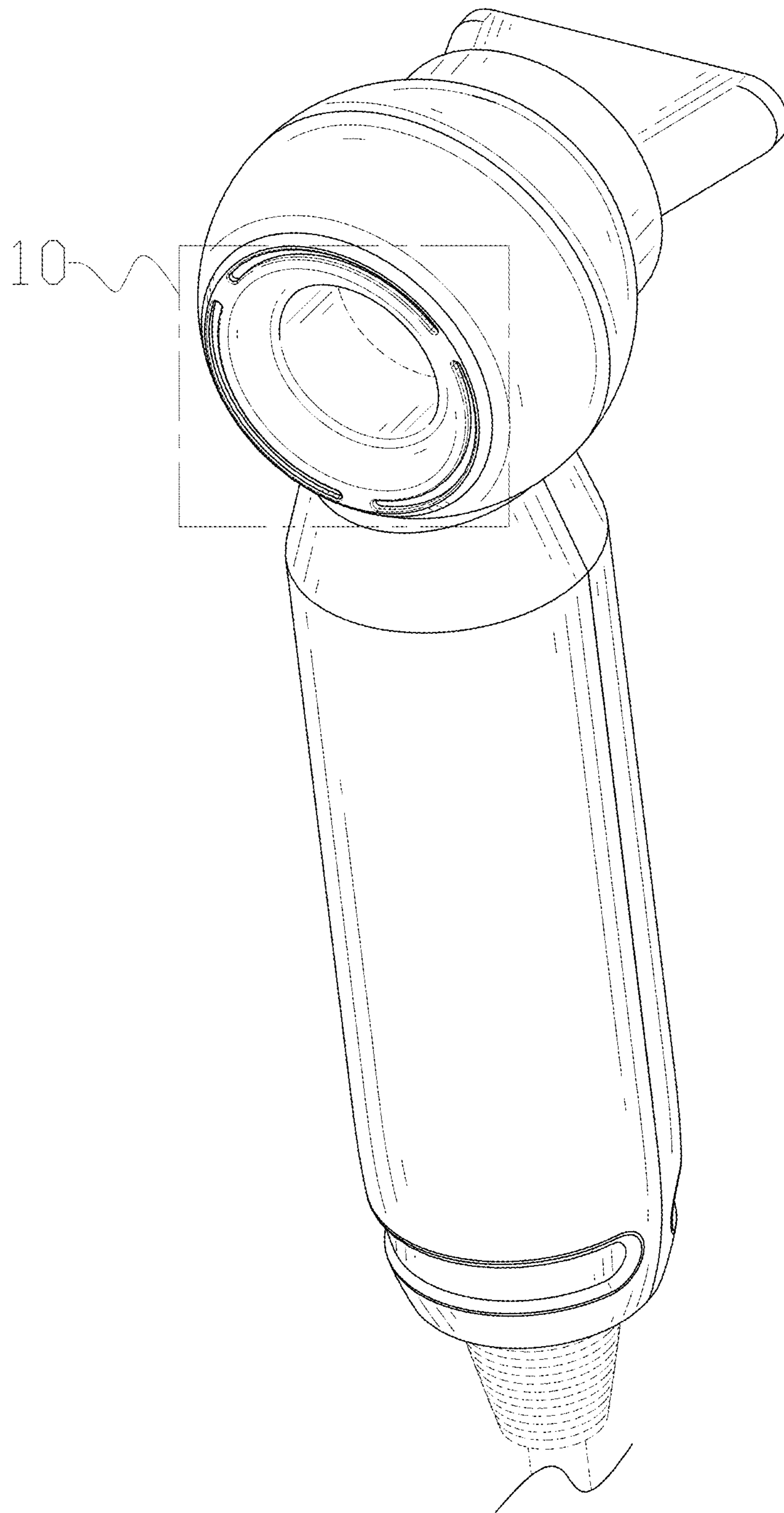


FIG. 2

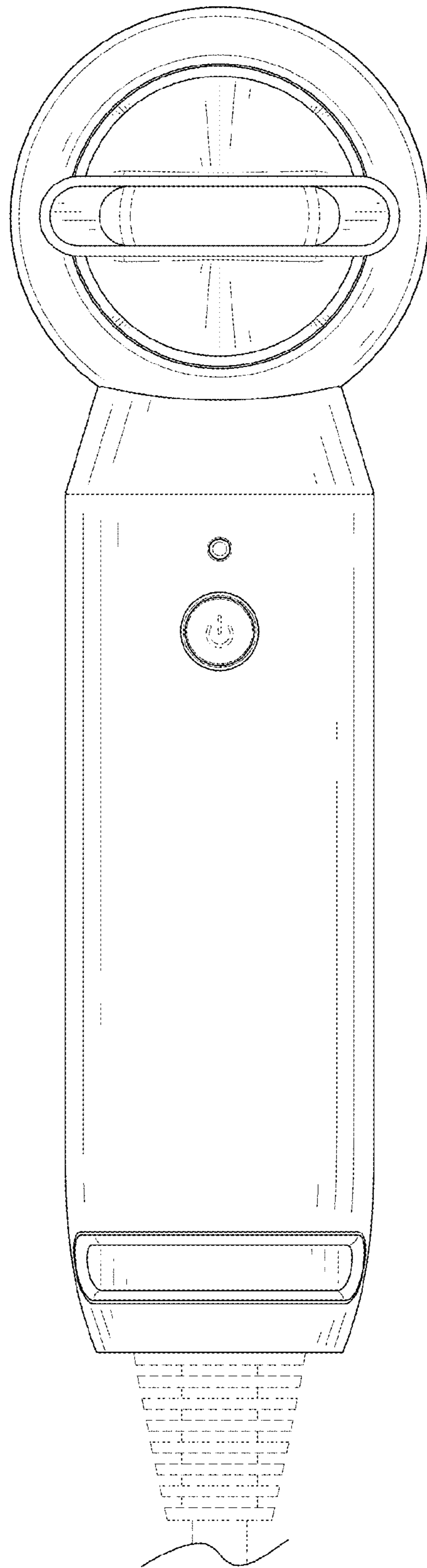


FIG. 3

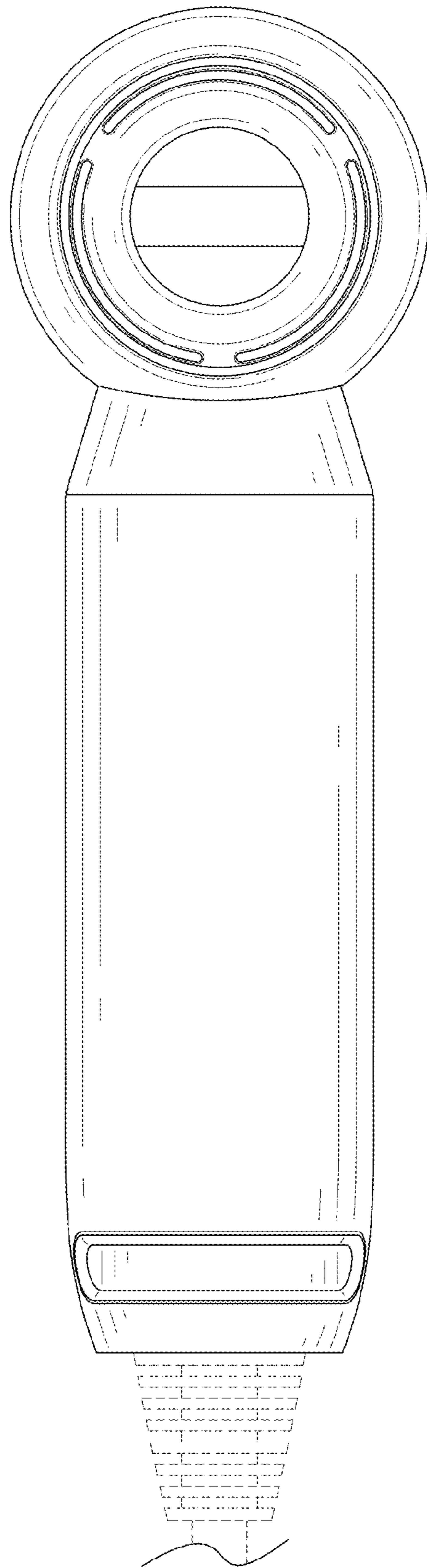


FIG. 4

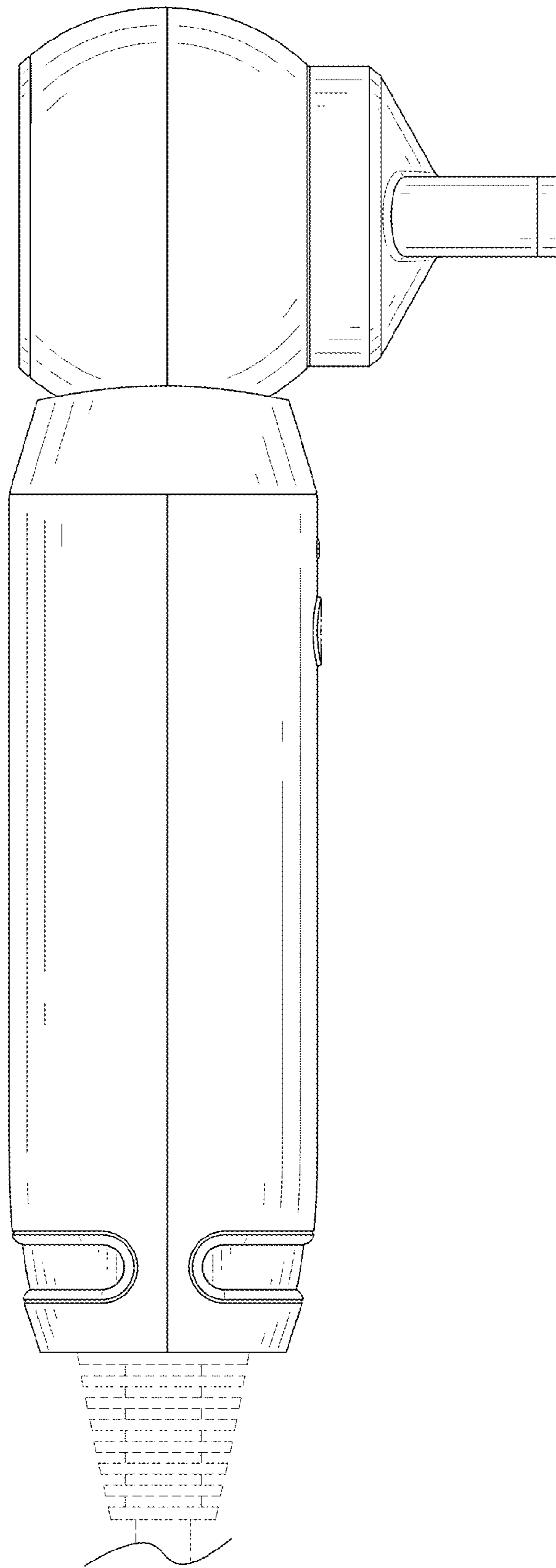


FIG. 5

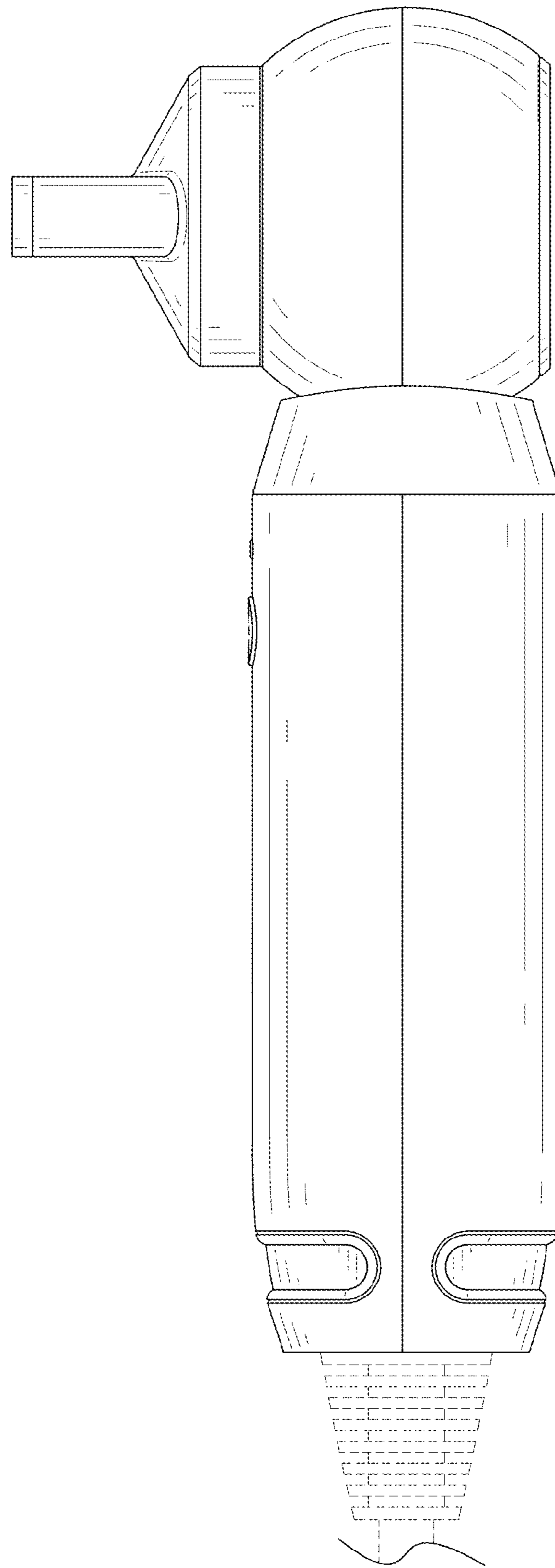


FIG. 6

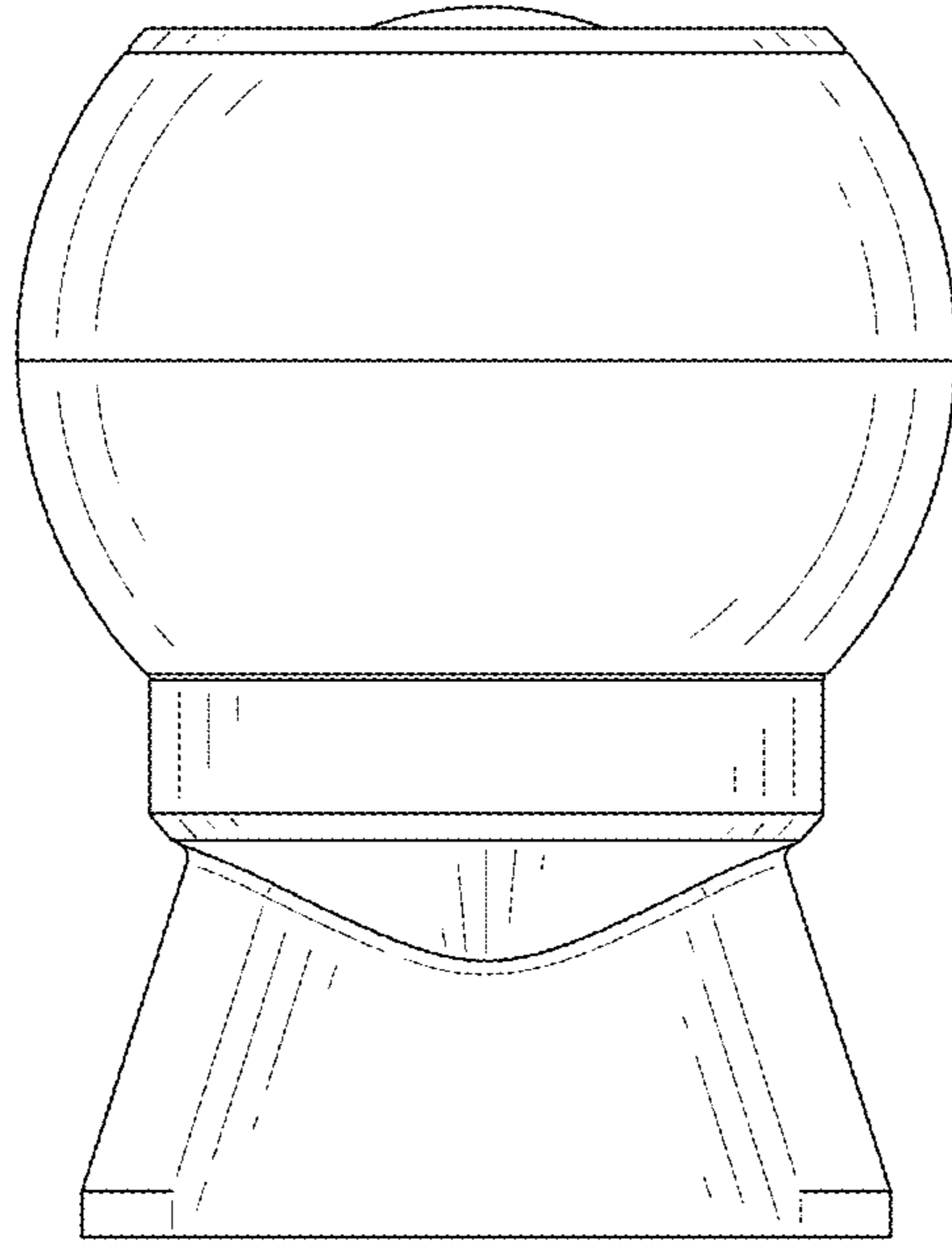


FIG. 7

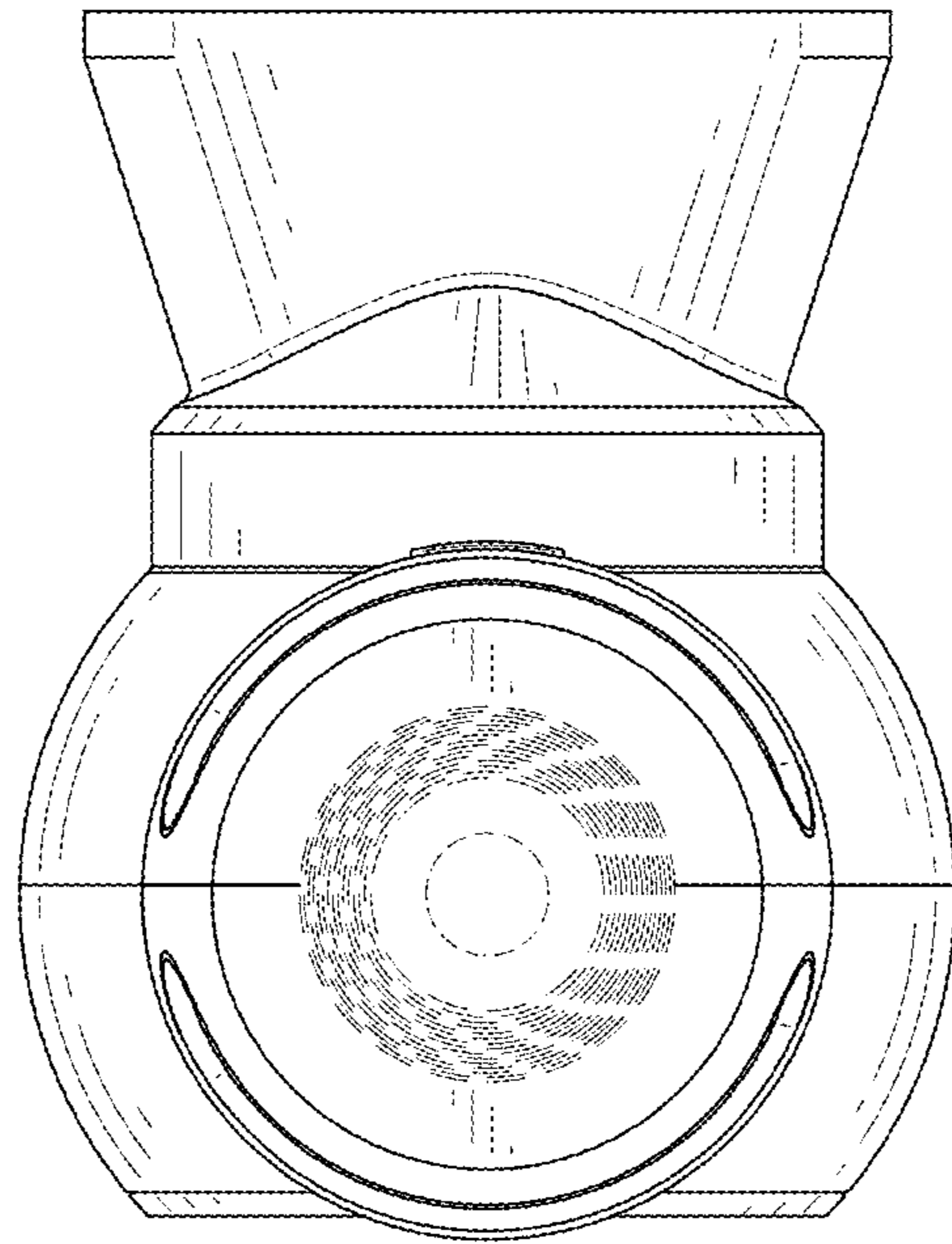


FIG. 8

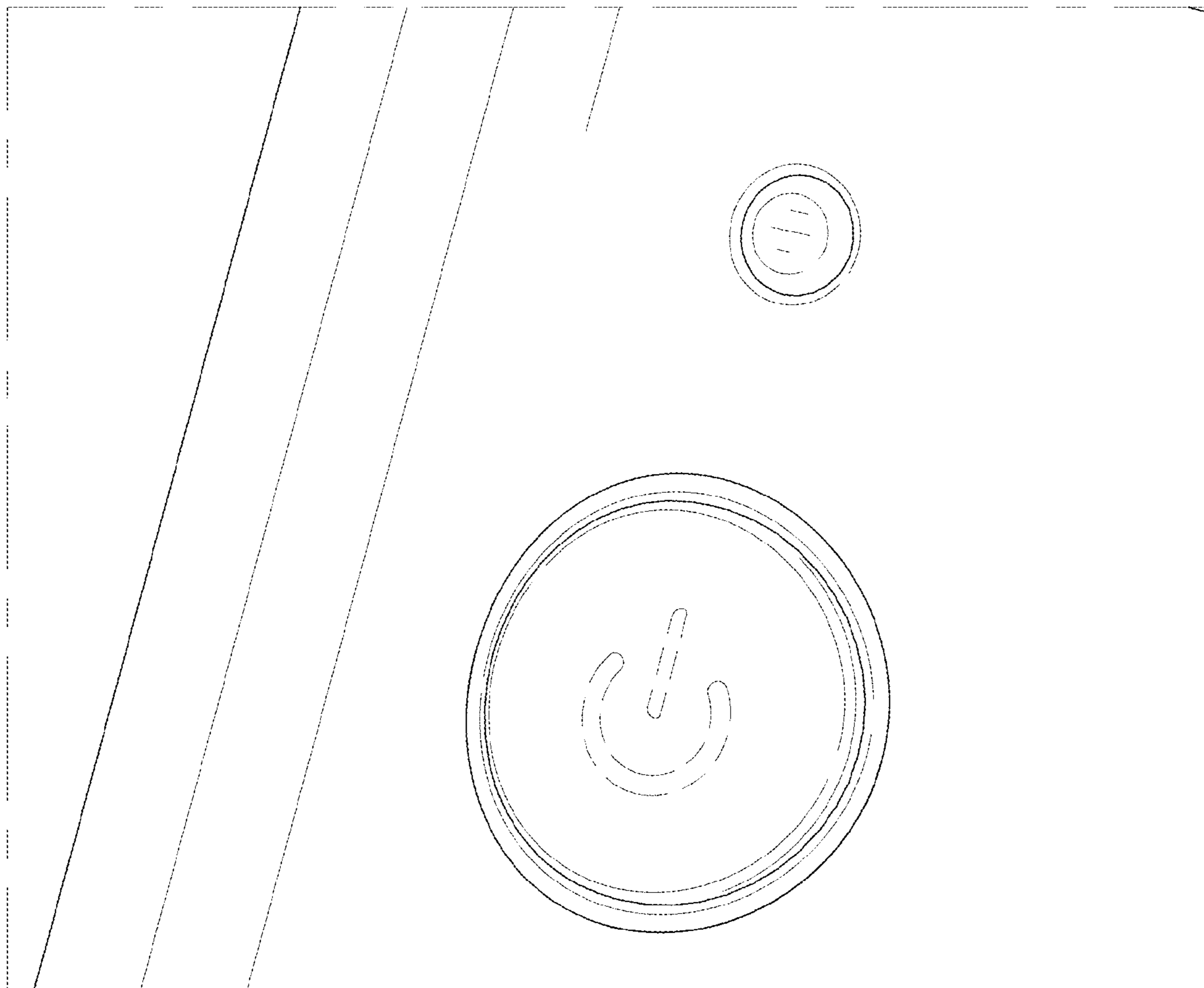


FIG. 9

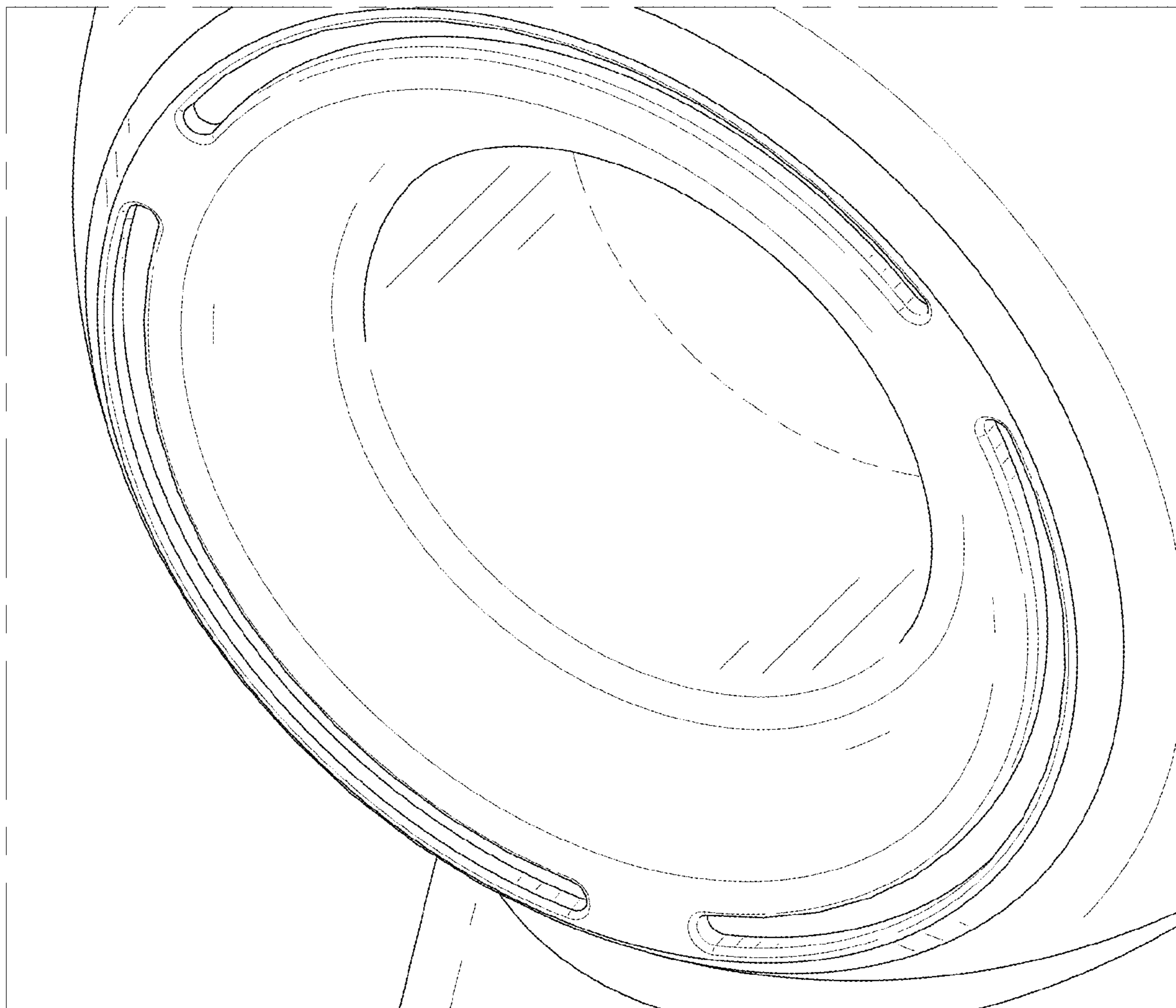


FIG. 10