



US00D904679S

(12) **United States Design Patent** (10) **Patent No.:** **US D904,679 S**  
**Grigenas** (45) **Date of Patent:** **\*\* Dec. 8, 2020**

(54) **WATER PIPE FOR SMOKING**  
(71) Applicant: **BRNT Ltd.**, Edmonton (CA)  
(72) Inventor: **Simonas Gediminas Grigenas**,  
Edmonton (CA)  
(73) Assignee: **BRNT Ltd.**  
(\*\*) Term: **15 Years**

D442,327 S *	5/2001	Neason	.....	D27/162
D443,950 S *	6/2001	Neason	.....	D27/162
D650,520 S *	12/2011	Timmermans	.....	D27/163
D734,537 S *	7/2015	Farley	.....	D27/183
D736,644 S *	8/2015	Hamilton	.....	D27/162
D831,272 S *	10/2018	Qiu	.....	D27/162
D838,410 S *	1/2019	Reimann	.....	D27/162
D846,187 S *	4/2019	Hoch	.....	D27/162
D863,671 S *	10/2019	Reimann	.....	D27/162
2018/0199626 A1 *	7/2018	Cheng	.....	A24F 9/16
2019/0343176 A1 *	11/2019	Franklin	.....	A24F 21/00

(21) Appl. No.: **29/680,380**

(22) Filed: **Feb. 15, 2019**

(30) **Foreign Application Priority Data**

Sep. 14, 2018 (CA) ..... 183607

(51) **LOC (12) Cl.** ..... **27-02**

(52) **U.S. Cl.**  
USPC ..... **D27/162**

(58) **Field of Classification Search**  
USPC ..... D27/162, 100, 103, 163, 167, 168, 169,  
D27/170, 194; 131/273, 274, 270, 191,  
131/328, 329, 330, 360-365  
CPC .... A24F 47/002; A24F 47/006; A24F 47/008;  
A61M 15/00; A61M 15/06  
See application file for complete search history.

(56) **References Cited**

**U.S. PATENT DOCUMENTS**

D358,228 S *	5/1995	Heine	.....	D27/162
D368,324 S *	3/1996	Heine	.....	D27/162
D368,325 S *	3/1996	Heine	.....	D27/162
D381,116 S *	7/1997	Richards	.....	D27/162

**OTHER PUBLICATIONS**

<https://www.glabongs.com/sale-clearance-gs-084-glass-water-pipe-smoking-accessories-gs-084-shop-usa-online-p1855802.html> (Jun. 2, 2020).\*

\* cited by examiner

*Primary Examiner* — Marissa J Cash  
*Assistant Examiner* — Rebecca Tsehaye

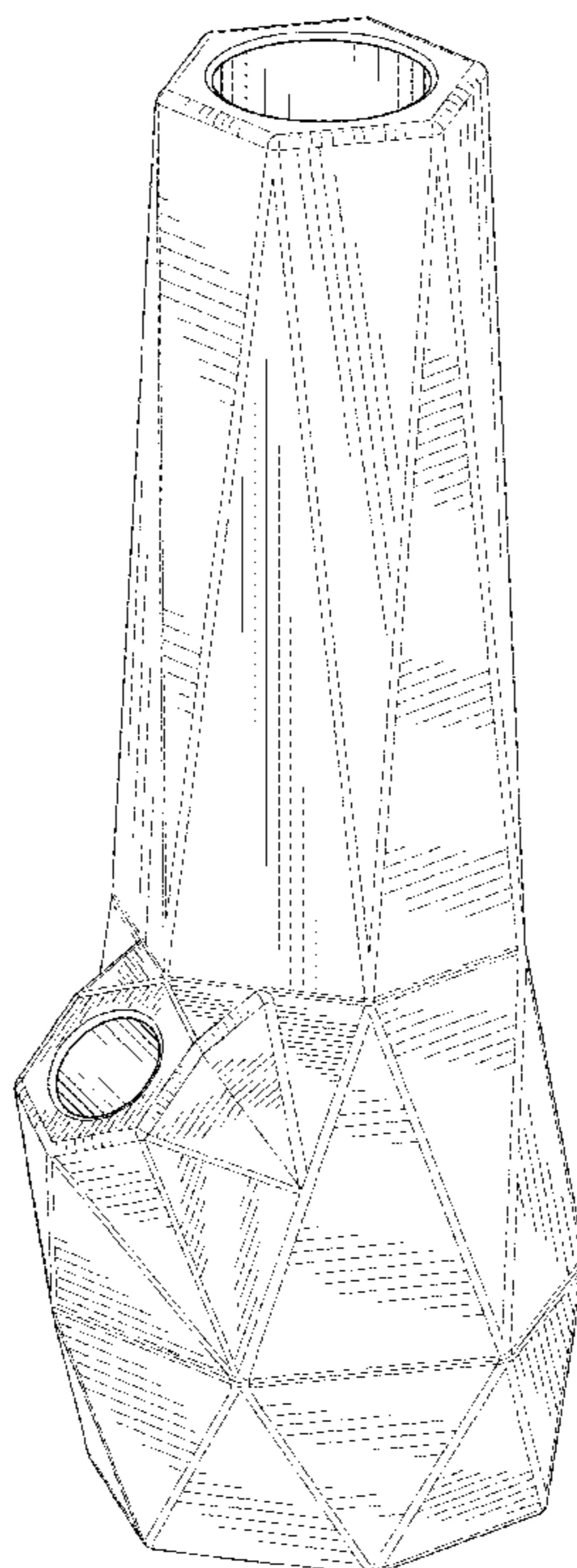
(57) **CLAIM**

The ornamental design for a water pipe for smoking, as shown and described.

**DESCRIPTION**

FIG. 1 is a perspective view a water pipe for smoking showing our new design;  
FIG. 2 is a front view thereof;  
FIG. 3 is a back view thereof;  
FIG. 4 is a left side view thereof;  
FIG. 5 is a right side view thereof  
FIG. 6 is a top view thereof; and,  
FIG. 7 is a bottom view thereof.

**1 Claim, 6 Drawing Sheets**



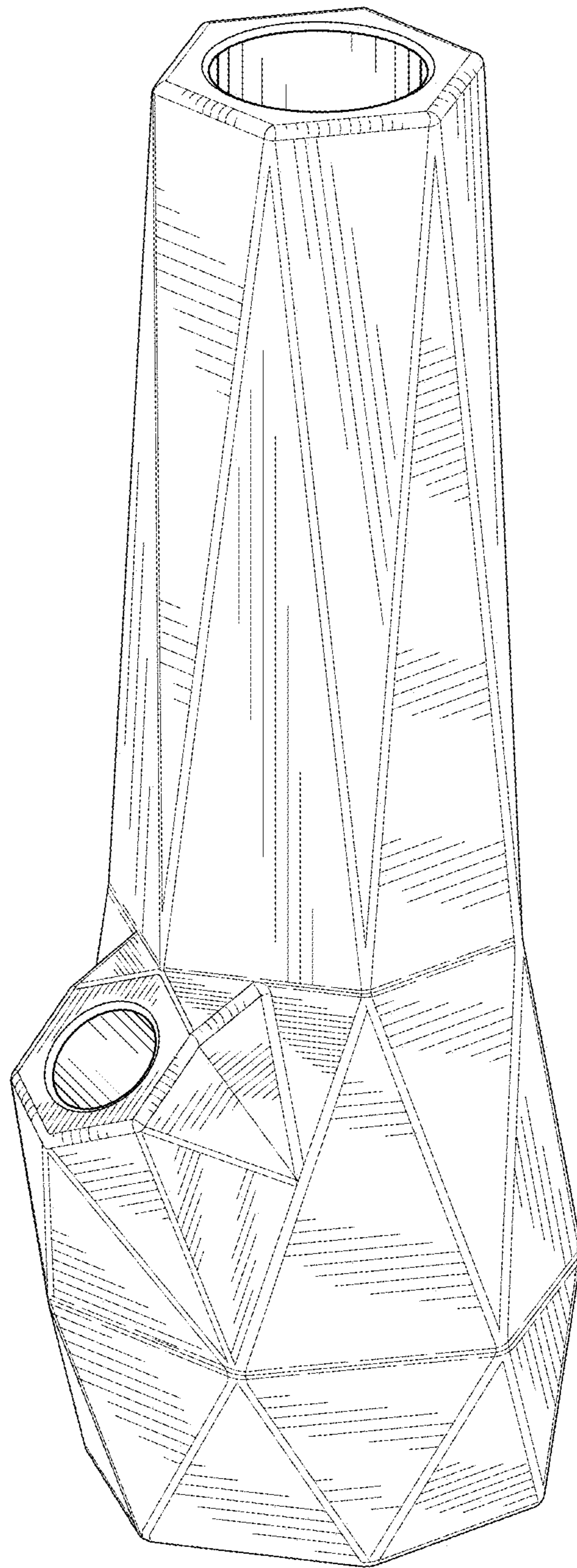


FIG.1

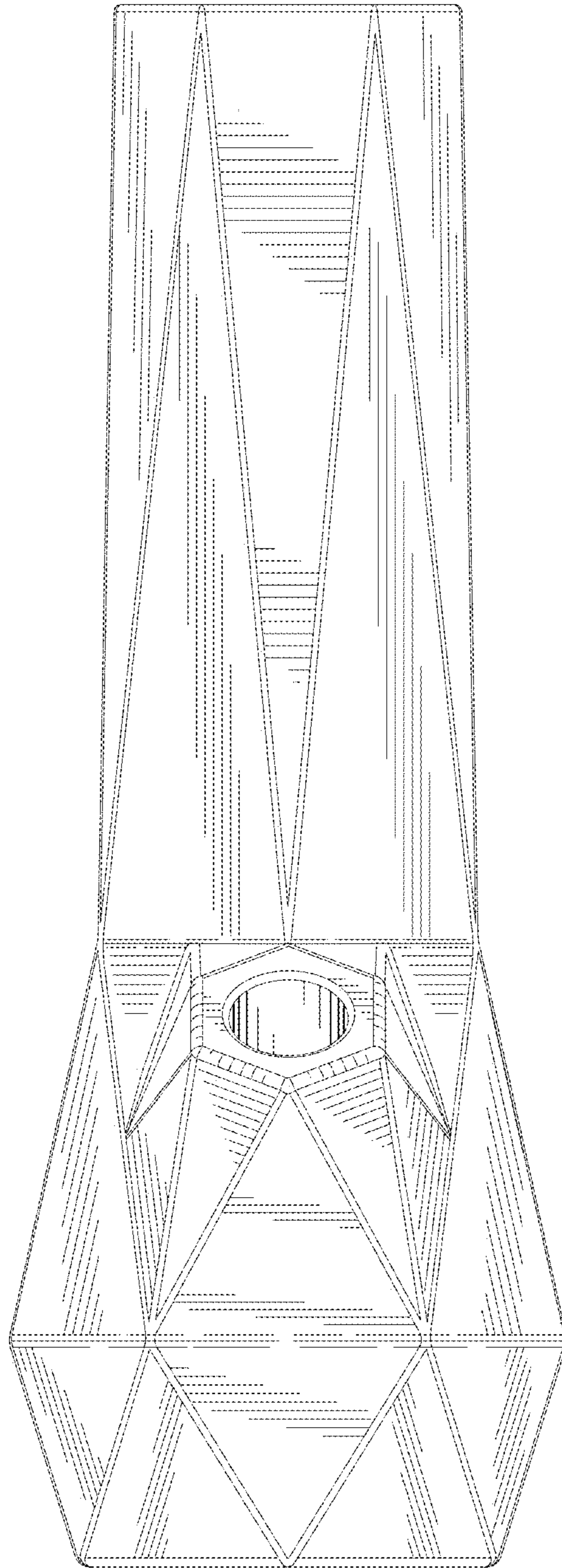


FIG.2

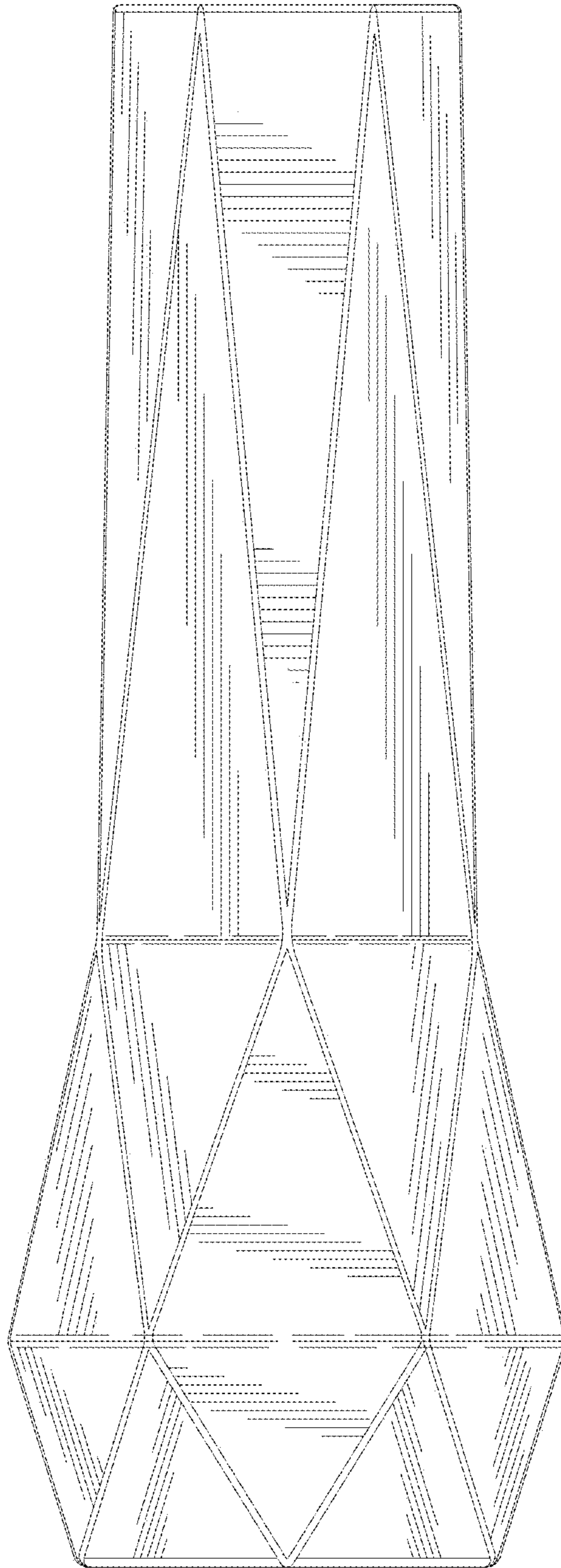


FIG.3

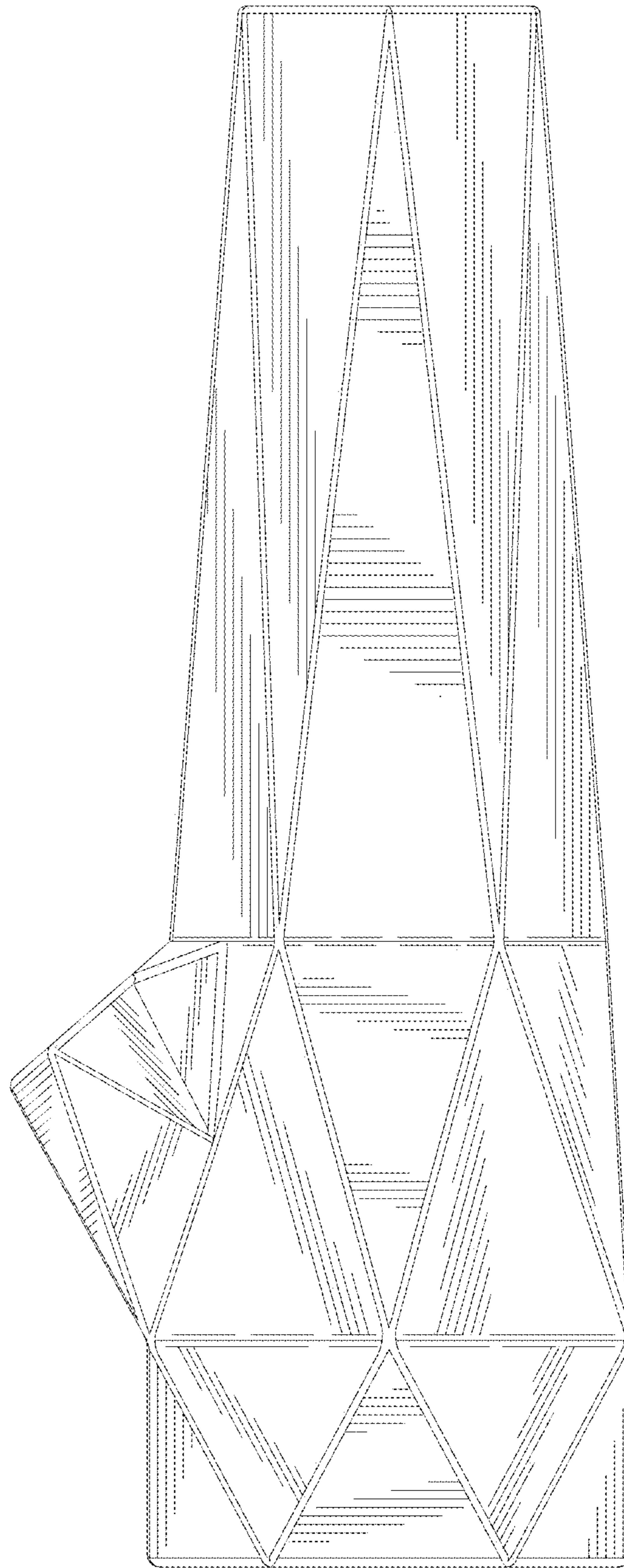


FIG.4

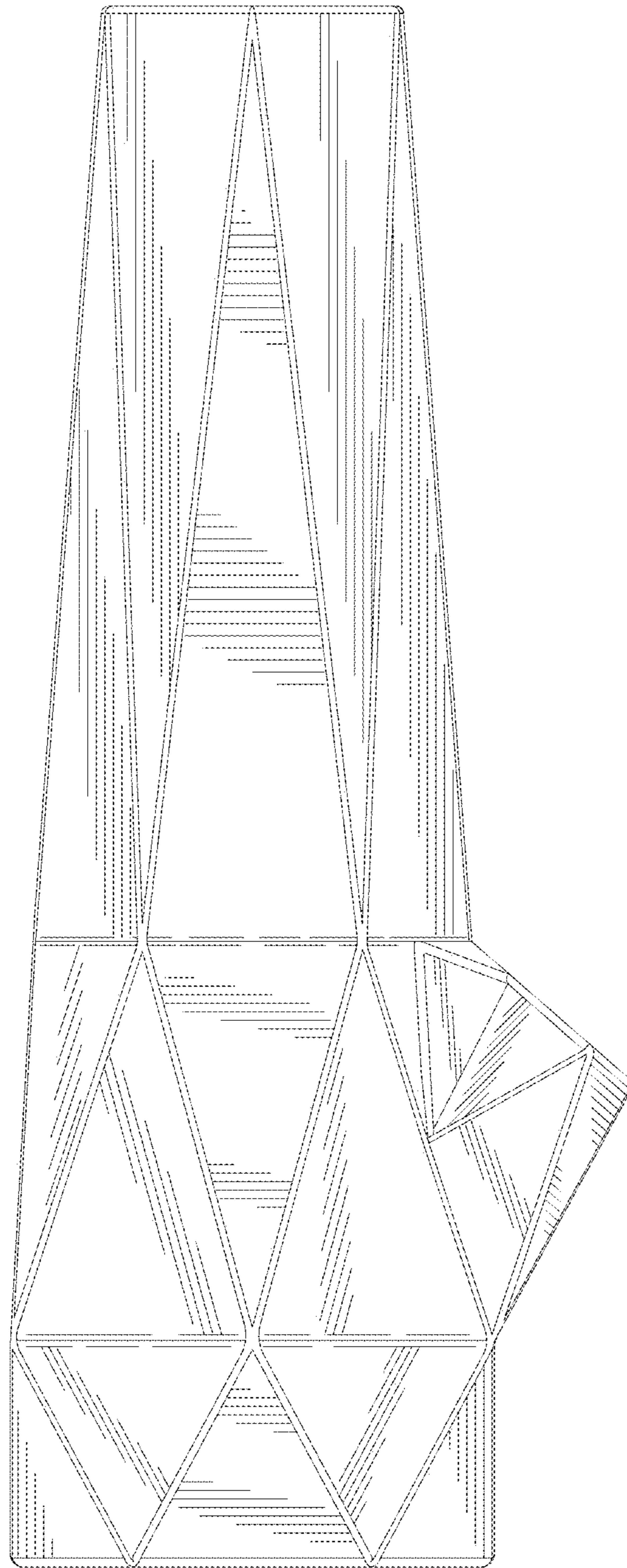


FIG.5

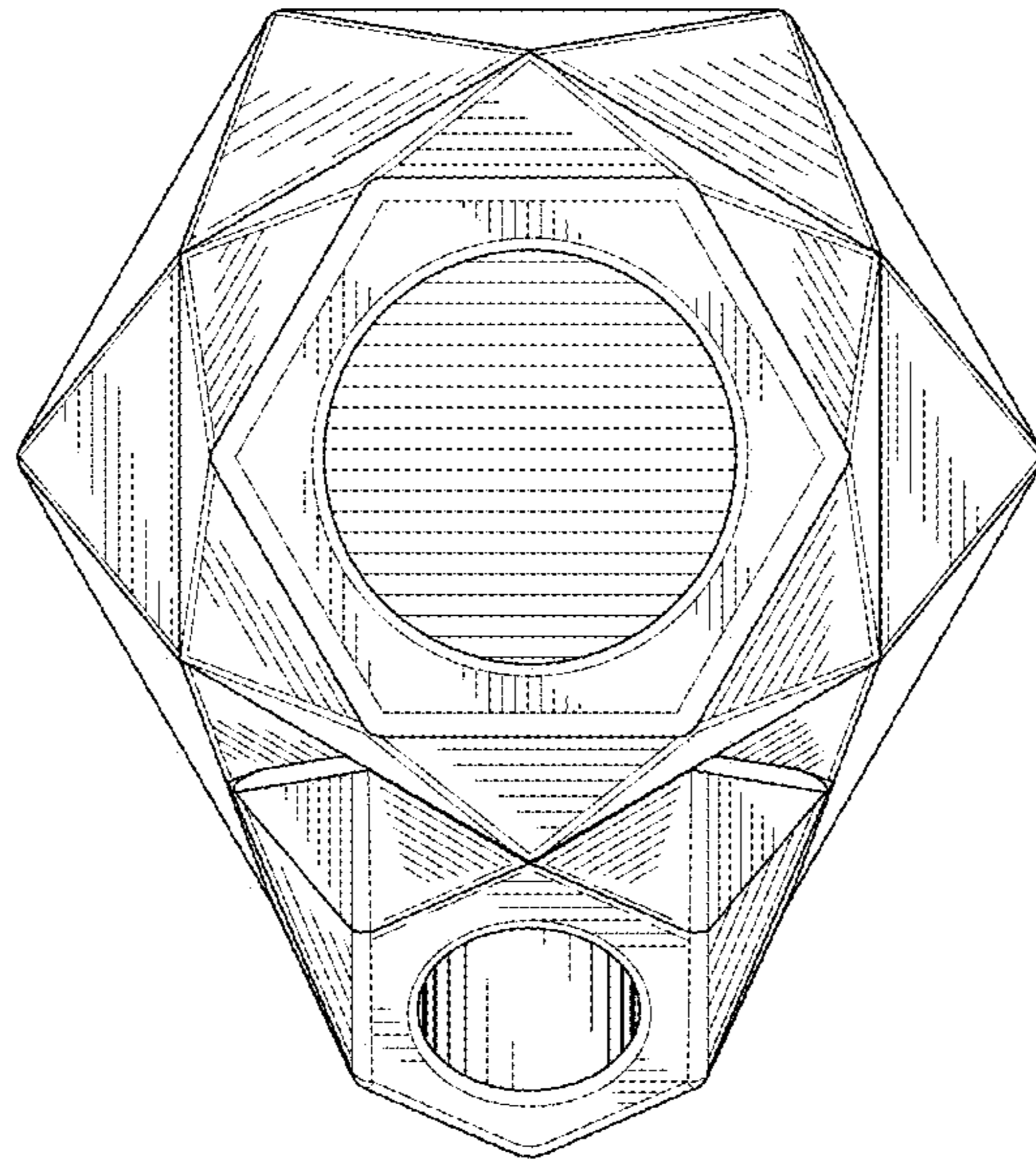


FIG. 6

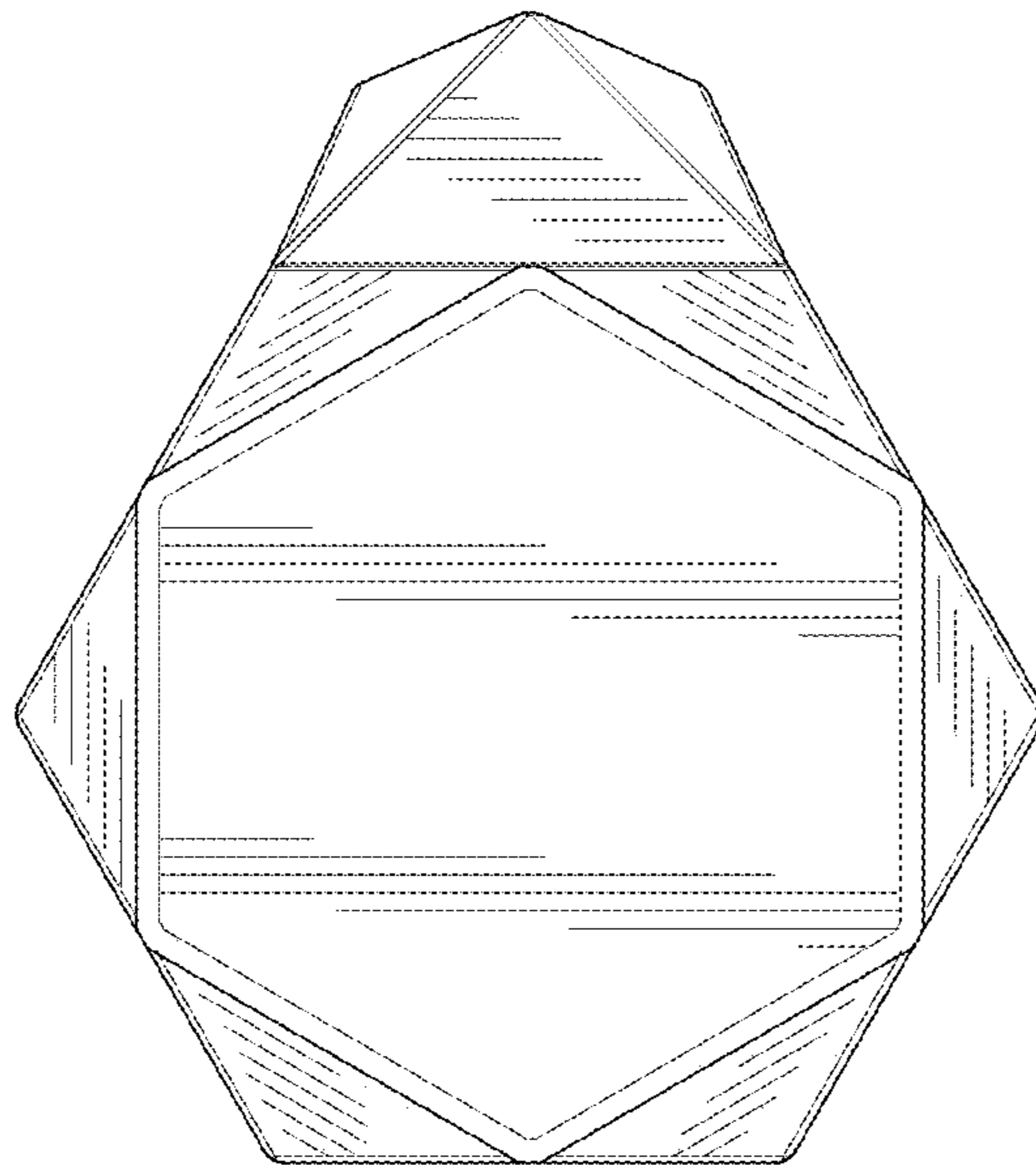


FIG. 7